



STEAM IRON

MOD. K

GHIDINI

User and Maintenance Manual

These operating and maintenance instructions refer to the steam iron mod. "K".

It is possible to obtain the last version of the present instructions requiring it to the Sale and Technical Department or visiting our web site web www.ghidini-gb.it.

Operating instructions

- The unit must be installed, opened and repaired by fully qualified technicians only..
- Do not use the machine plunged in fluids, in dangerous or inflammable places.
- Do not ignore the dangers for the operators health and follow the hygienic and safety prescriptions.
- Check that the electrical connection is correctly carried out respecting the laws in force and that the fuses boxes are closed and complete with fuses.
- The electrical plug of the iron must only be connected to the appropriate current sockets of the ironing machines. It must never be connected to any other power supply socket. The rear junction box and the electric cord must never be tampered.
- Check that control and safety devices are intact.

Use

- Connect the iron to a steam supply using a rubber hose with an internal \varnothing of 5 mm
- Connect the terminal board as in the included scheme and feed the iron.
- Adjust the temperature of the iron with the appropriate handwheel.
- Wait for the right temperature of the plate and adjust the button placed on one side of the handle to operate the steam solenoid valve.
- Do not leave the iron switched on and in temperature when it is not used.

The dangers described in the following items have not been completely eliminated, but they have been considered acceptable:

- During the maintenance operation there could be a spray of steam at low pressure (maintenance operation must be carried out using suitable protection devices)
- Protection against direct and indirect contacts must be adopted by the user.

Main electrical supply

Prior to carrying out any inspection or work on the machine, disconnect it from the main electrical supply and make sure that nobody can connect it again during the technical operations. All the electrical or electronic machines or basic structures installed must be connected to the earthing system.

Inflammability


Adopt all the necessary precautions to avoid any direct contact with hot materials or flames. Put fire extinguishers near the machine for an immediate intervention in event of fire.

Pressure / Steam

Before each intervention switch off the boiler, wait for the cooling of the pipes and check that residual pressures are not inside the iron or in every single branch of the hydraulic circuit. They could cause steam sprays in case of dissembling of pipes or components.

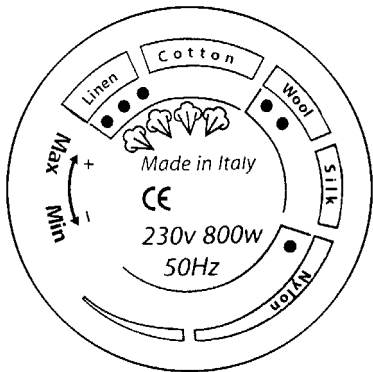
Ghidini s.r.l. cannot be held liable for any damage to things or injury to persons caused by an improper use of the machine in contrast with these instructions.

Any eventual modification to the components or different use of the machine must be previously authorized through a written document by Ghidini s.r.l. otherwise the manufacturer can be considered free even from the guarantee bond.

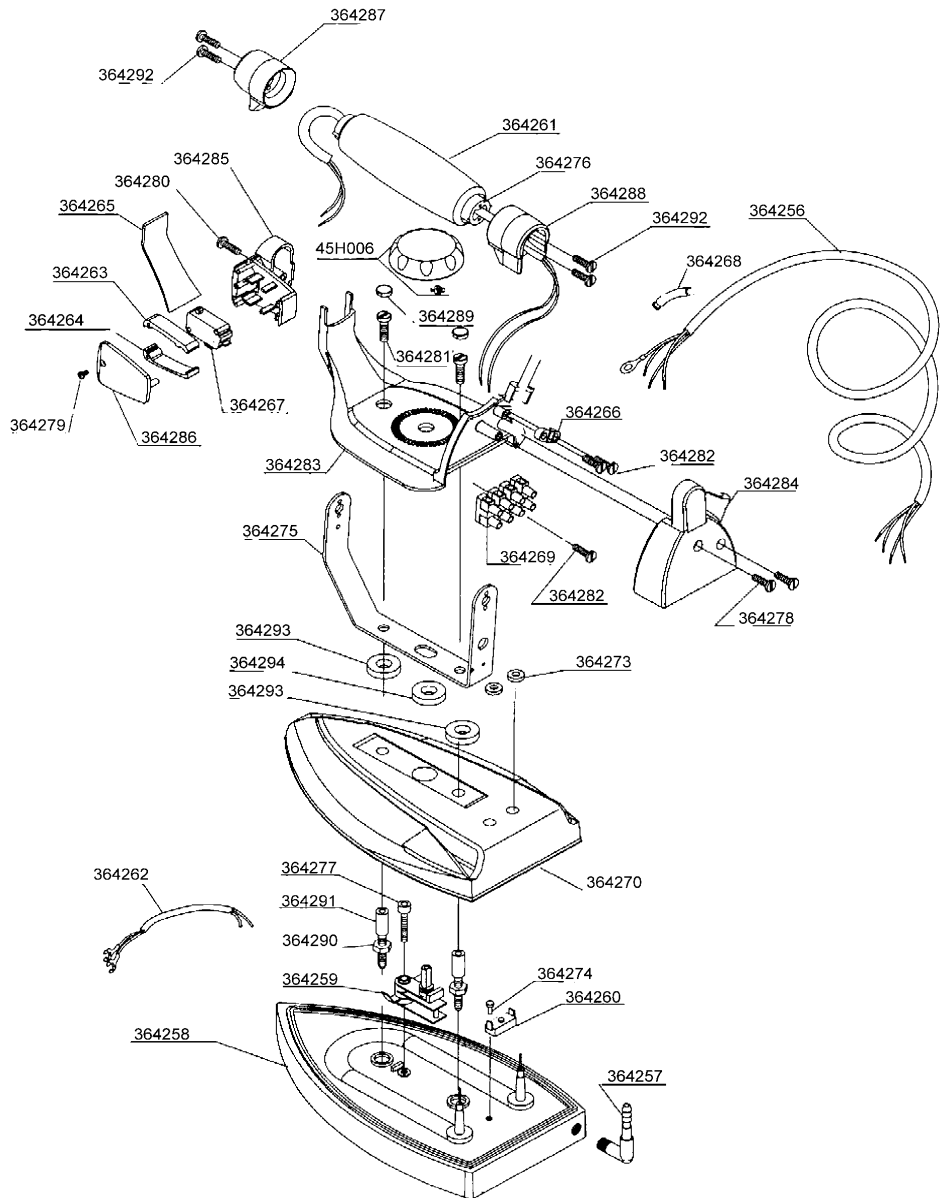
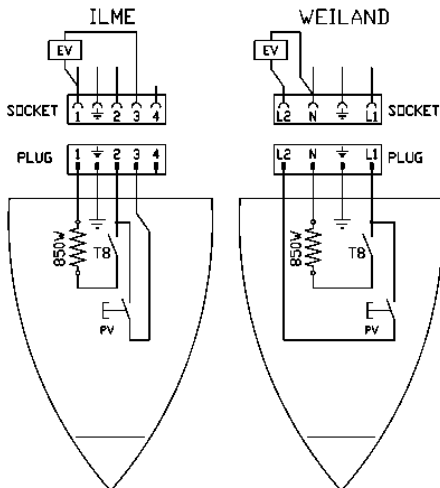
Manufacturer	GHIDINI BENVENUTO s.r.l.
Product	Steam iron mod. K
Year	2004
Certification	

EXPLODED DRAWING OF THE IRON mod. "K"

TECHNICAL DATA	
Electrical feeding	220V 50 Hz
Iron heater	0,830 Kw
Working temperature	+ 5 ÷ + 80 °C
Operating humidity	90 % max.
Stocking temperature	- 20 ÷ + 50 °C
Net weight	1,8 Kg



220/240 V - 50/60 Hz



CODE	DESCRIPTION	CODE	DESCRIPTION
364273	Fairlead for board heater	364284	Rear cover for iron
364256	Electric cable for iron	364285	Buttons holder for iron
364274	Screw for thermostat (bulb shape)	364286	Buttons holder cover for iron
364257	Hose holder in nickel-plated brass	364263	Upper button for iron
364258	Complete iron plate	364264	Lower button for iron
364259	Adjustable thermostat	364265	Plate for handle support
364260	Manually reloaded thermostat	364266	Cable holder for iron
364261	Cap handle	364287	Frontal handle holder for iron
364275	Handle support for iron	364288	Back handle holder for iron
364270	Casing for iron	364289	Screws covers for iron
364262	Electric connection for iron	364290	Brass washer
364276	Insert for iron handle	364291	Brass spacers
364277	Screw M4 x 22 for thermostat fixing	364267	Complete microswitch for iron
364278	Screw for back cover	364292	Screw for handle iron
364279	Screw for iron microswitch cover	45H006	Knob in black bakelite
364280	Screw for microswitch holder 3,5 x16 AU	364293	Washer for screw
364281	Screw for handle fixing M5 x 10 ZNB	364294	Washer for knob
364282	Screw for terminal board fixing	364268	Fairlead for electric cable
364283	Handle cover for iron	364269	Terminal board 4 poles

Web site: <http://www.ghidini-gb.it> - E-mail: ghidini.commerciale@tin.it