



STEAM IRON MOD. V GHIDINI

User and Maintenance Manual

These operating and maintenance instructions refer to the steam iron mod. "V".

It is possible to obtain the last version of the present instructions requiring it to the Sale and Technical Department or visiting our web site web www.ghidini-gb.it.

Operating instructions

- The unit must be installed, opened and repaired by fully qualified technicians only..
- Do not use the machine plunged in fluids, in dangerous or inflammable places.
- Do not ignore the dangers for the operators health and follow the hygienic and safety prescriptions.
- Check that the electrical connection is correctly carried out respecting the laws in force and that the fuses boxes are closed and complete with fuses.
- The electrical plug of the iron must only be connected to the appropriate current sockets of the ironing machines. It must never be connected to any other power supply socket. The rear junction box and the electric cord must never be tampered.
- Check that control and safety devices are intact.

Use

- Connect the iron to a steam supply using a rubber hose with an internal \varnothing of 5 mm
- Connect the terminal board as in the included scheme and feed the iron.
- Adjust the temperature of the iron with the appropriate handwheel.
- Wait for the plate of the iron reaches the right temperature and adjust the button placed on one side of the handle to operate the steam solenoid valve.
- Do not leave the iron switched on and in temperature when it is not used.

The dangers described in the following items have not been completely eliminated, but they have been considered acceptable:

- During the maintenance operation there could be a spray of steam at low pressure (maintenance operation must be carried out using suitable protection devices)
- Protection against direct and indirect contacts must be adopted by the user.

Main electrical supply

Prior to carrying out any inspection or work on the machine, disconnect it from the main electrical supply and make sure that nobody can connect it again during the technical operations. All the electrical or electronic machines or basic structures installed must be connected to the earthing system.

Inflammability


Adopt all the necessary precautions to avoid any direct contact with hot materials or flames. Put fire extinguishers near the machine for an immediate intervention in event of fire.

Pressure / Steam

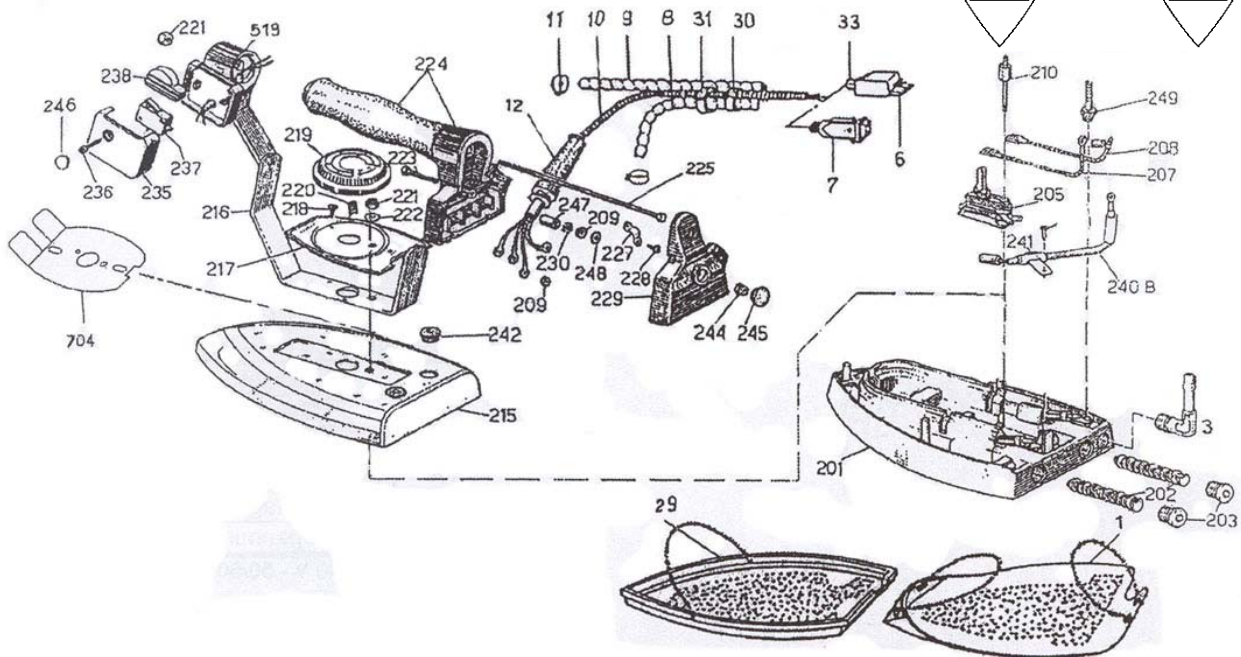
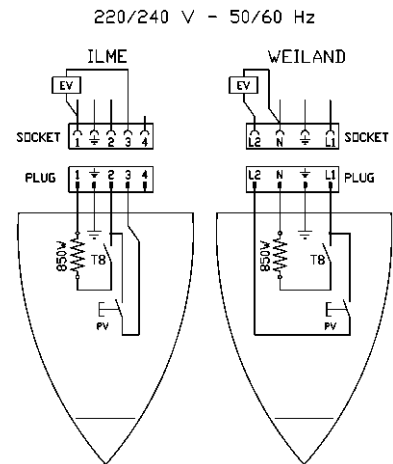
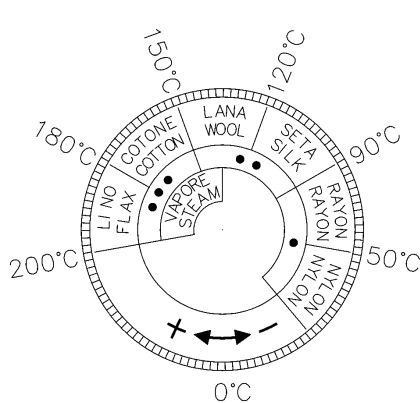
Before each intervention switch off the boiler, wait for the cooling of the pipes and check that residual pressures are not inside the iron or in every single branch of the hydraulic circuit. They could cause steam sprays in case of dissembling of pipes or components.

Ghidini s.r.l. cannot be held liable for any damage to things or injury to persons caused by an improper use of the machine in contrast with these instructions.

Any eventual modification to the components or different use of the machine must be previously authorized through a written document by Ghidini s.r.l. otherwise the manufacturer can be considered free even from the guarantee bond.

Manufacturer	GHIDINI BENVENUTO s.r.l.
Product	Steam iron mod. V
Year	2004
Certification	

TECHNICAL DATA	
Electrical feeding	230V 50 Hz
Iron heater	0,800 Kw
Working temperature	+ 5 ÷ + 80 °C
Operating humidity	90 % max.
Stocking temperature	- 20 ÷ + 50 °C
Net weight	1,4 Kg



Pos	CODE	DESCRIPTION	Pos	CODE	DESCRIPTION
704	253297	Safety protection	218	184455	Screw
519	173252	Microswitch support	217	264349	Plate
249	364061	Side joint	216	172057	Handle support
248	184449	Washer	215	253256	Casing
247	174018	Spacing collar	210	174024	Stud bolt
246	22K037	Microswitch plug	209	514055	Nut
245	22K036	Lid	208	304282	Electrical connection between thermostat and heating element.
244	514058	Nut for rear cover	207	304281	Electrical connection between thermostat and binding clamp
242	224245	Isolating rubber rings	205	45A013	Thermostat with fuse
238	43A040	Microswitch protective cover	203	22K041	Filter cap
237	43D010	Microswitch	202	22K042	Iron filter
236	184451	Screw for microswitch	201	253252	Iron plate with heating element
235	43K008	Microswitch cover	033	224255	Cable-loop plug
230	184448	Washer	031	224260	Cable clamp
229	222133	Rear cover	030	224215	Spring
228	184450	Screw	029	Z23E01	Armoured teflon sole
227	174353	Staple	012	224216	Fairlead
225	183255	Handle rod	011	51X005	Clamp
224	222056	Handle	010	Z23C00	Electrical cable
223	184457	Handle fixing screw	008	07A001	Rubber hose
222	514057	Casing fixing nut	007	43H009	Ilme plug
221	514056	Nut	006	43H002	Weiland plug
220	534288	Spring for handwheel	003	364297	Hose holder
219	224217	Handwheel	001	Z23E00	Teflon sole

Web site: <http://www.ghidini-gb.it> - E-mail: ghidini.commerciale@tin.it