




<i>Manufacturer</i>	GHIDINI BENVENUTO s.r.l.
<i>Product</i>	Ironing board – <b>AMBRIA Steaming</b>
<i>Year</i>	2010
<i>Certification</i>	

## CONTENTS

1	INTRODUCTION	10	WARNINGS
2	GENERAL DESCRIPTION	11	DIMENSIONS AND DRAWINGS
3	MACHINE IDENTIFICATION	12	MAINTENANCE PROCEDURES
4	TECHNICAL FEATURES	13	DISPOSAL
5	MACHINE COMPONENTS	14	ORDERING INFORMATION FOR SPARE PARTS
6	MACHINE UNPACKING AND INSTALLATION	15	HANDLING AND TRANSPORTATION
7	OPERATION INSTRUCTIONS	16	WARRANTY
8	TROUBLESHOOTING	17	DECLARATION OF COMPLIANCE
9	PRECAUTIONS FOR USE		

## 1 INTRODUCTION

This user's and maintenance manual refers to the "AMBRIA Steaming" ironing board.

It is possible to request the latest release to our Technical Commercial Department or by visiting our website [www.ghidini-gb.it](http://www.ghidini-gb.it).

This user's and maintenance manual contains important information for the protection of the health and safety of the personnel which is to use this device. Read this manual with attention and keep it carefully to make it available to operators who want to consult it.

Ghidini s.r.l. reject any liability for damages to persons or property in case of failure to comply with the dispositions of this manual. Any modification to system components or any other use of the device or its components than those foreseen without previous written authorization from Ghidini s.r.l. will relieve the latter from any liability for damages to persons and/or property, and will void any right to the warranty.

## 2 GENERAL DESCRIPTION

The operation is very user-friendly and efficient, thanks to its control by pedal.

The AMBRIA Steaming ironing board is fully autonomous and requires no supporting equipment to work.

This machine uses external power supply for its operation.

The machine is fitted with a large universal working surface and an optional arm with a sleeve board, both padded, electrically heated and fitted for suction and steam spraying, a garment tray, a control panel to adjust the working surface temperature and to operate the various working stations, a professional iron with integrated automatic feeding resistance, and automatic pressure control. It is also possible to fit as optionals a steam/air gun, a heated pelvis board and a stainless steel stain removing board.

Its use is simple and efficient thanks to the pedal-activated suction and vaporization of the working surface.

## 3 MACHINE IDENTIFICATION

A plate which reports the model, serial number, year of manufacture, voltage and supply pressures is fitted on the side of the machine.

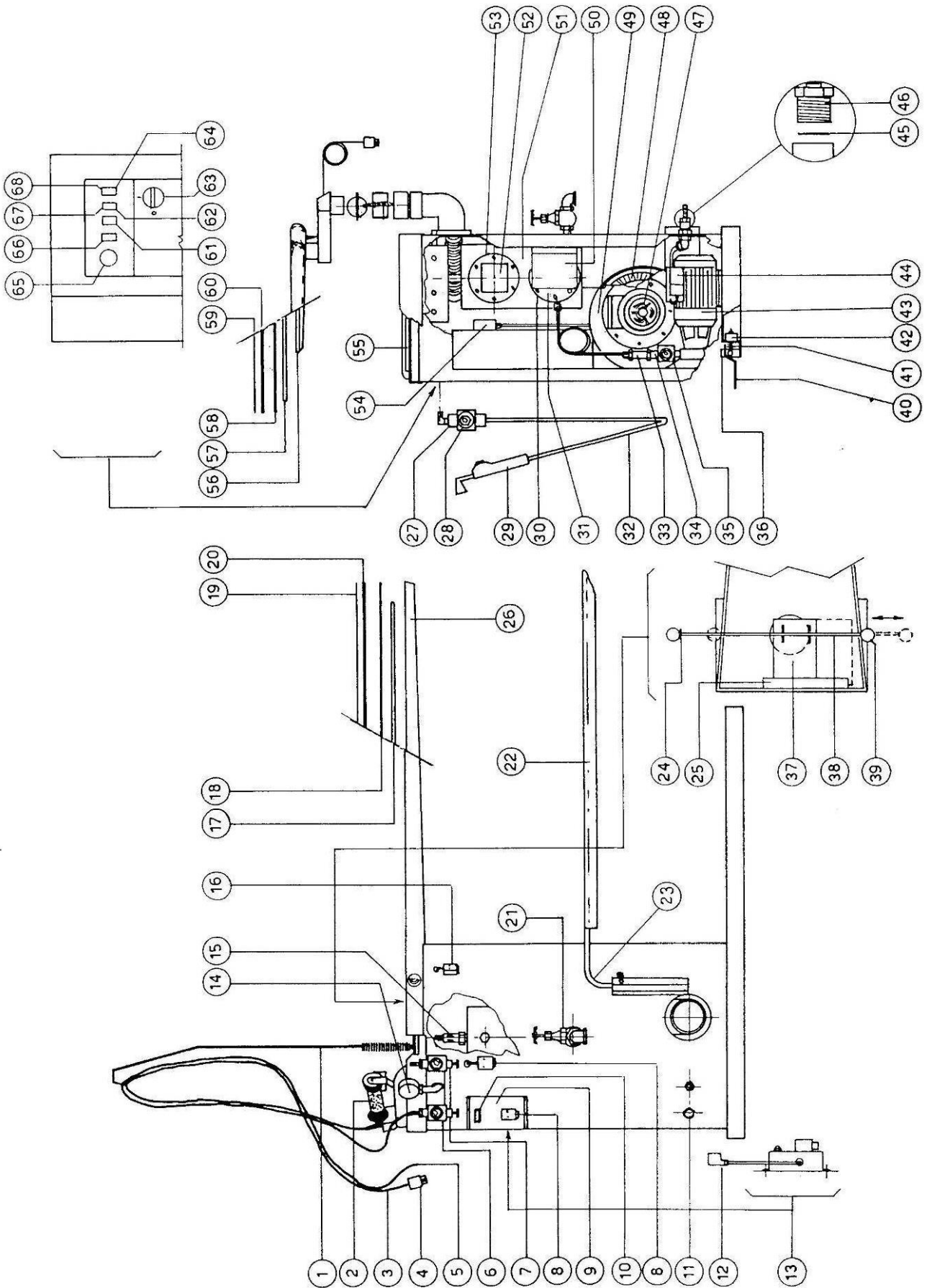
## 4 TECHNICAL FEATURES

Power supply	230V – 1ph / 50 Hz 230-400V – 3ph / 50 Hz			
Power consumption	Boiler	Iron	Arm	Board
	3,3-3,9-4,8 Kw	0,83 Kw	0,14 Kw	1 Kw
Suction motor	0,6 Hp			
Pump motor	0,5 Hp			
Steam pressure	2,6 bar			
Steam consumption	2 ÷ 10 Kg/h			
Noise pressure level	< 70 dB(A)			
Operating temperature	+ 5 ÷ + 80 °C			
Operating humidity	90 % max.			
Storage temperature	- 20 ÷ + 50 °C			
Net dimensions	1550 x 550 x 950 mm.			
Net weight	92 Kg			
Overall dimensions (packaging included)	1520 x 580 x 1000 mm			
Gross weight (packaging included)	115 Kg			

**WARNING:** do not power the machine with voltages other than the ones reported in the table.

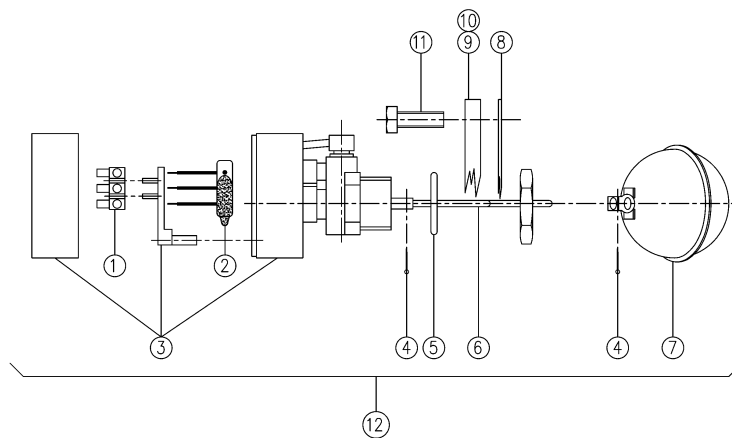
# 5 MACHINE COMPONENTS

The main parts of the machine are:



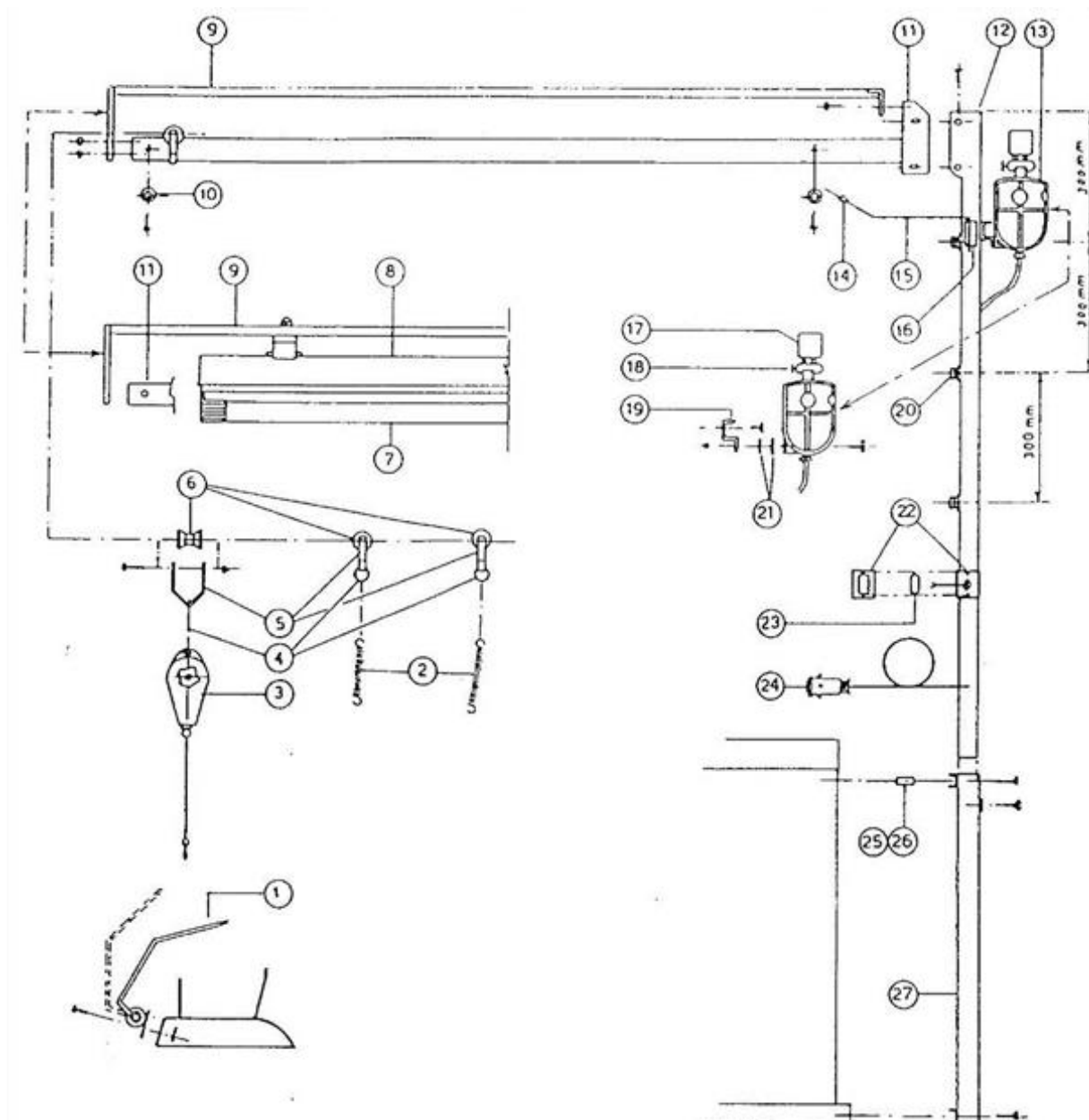
Pos.	ARTICLE	DESCRIPTION	Pos.	ARTICLE	DESCRIPTION
1	534269	Wire holding antenna	36	184005	Pedal holder
2	Z01L10	Iron Model U	37	173329	Stainless steel plate
3	Z23C00	Electric wire	38	184466	Rod for Strainless steel plate
4	43H009	Liime iron plug	39	52C003	Ball handle
5	07A001	Steam pipe	40	175107	Suction or steam pedal
6	39H043	Iron steam solenoid valve coil	41		
7	39B012	Iron steam solenoid valve	42	43D002	Suction or steam micro-switch
8	43G007	Liime iron plug	43	42B011	Water pump 230V / 50Hz
9	173441	2nd iron control box	44	42G021	Pump condenser MF 10
10	43A020	2nd iron switch	45	174356	Water filter
11	46C002	Power supply input	46	36E006	Pipe coupling Ø12mm
12	301016	Connector	47	42A002	Suction motor 230V / 50-60Hz
13	Z18M00	Complete fitting for second iron	48	42H002	Suction fan Ø180x72
14	35A004	Pressure gauge	49	340017	Suction spiral
15	38S001	Safety valve	50	172102	Protection cover
16	43G006	Liime heated sleeve board plug	51	202128	Boiler
17	213123	1000-Watt board resistance	52	E 02	Automatic level control
18	161020	Perforated plate for universal board	53	244236	Flange gasket Ø135mm
19	274103	Maxi board canvas with GM zipper	54	45G001	Pressure switch 2 ÷ 5,5 bar
	274123	Maxi board padding	55	25A001	Silicone iron holder
	Z27P31	Universal board padding and net	56	340019	Sleeve board
20	37A010	Boiler discharge gate valve	57	213134	Sleeve board resistance 140 W
21	274203	Garment tray canvas	58	173323	Sleeve board plate
22	175005	Garment tray	59	E 12	Sleeve board canvas
23	161037	Stainless steel guide	60	E 12	Sleeve board padding and net
24	24A011	O-ring	61	43A020	Sleeve board switch
25	162114	Universal board	62	43A014	Iron switch
26	39B012	Steam gun solenoid valve	63	43A043	Main switch
27	39H043	Steam gun solenoid valve coil	64	43A016	Boiler warning light
28	Z07A00	Steam gun	65	45A010	Board thermostat
29	244236	Flange gasket Ø135mm	66	43A046	Voltage warning light
30	212061	Boiler resistance 3,9 kW	67	43A014	Boiler switch
	212060	Boiler resistance 3,3 kW	68	43A016	Water warning light
	212063	Boiler resistance 4,8 kW	69	275005	Anti-condensate cylinder cover
31	07A002	Silicone steam pipe	70	39B041	Tray steam solenoid valve
	38W001	Check valve	71	39B012	Iron steam solenoid valve
32	39B036	Water solenoid valve	72	202031	Condensate separator cylinder
33					
34					
35					

### AUTOMATIC LEVEL CONTROL



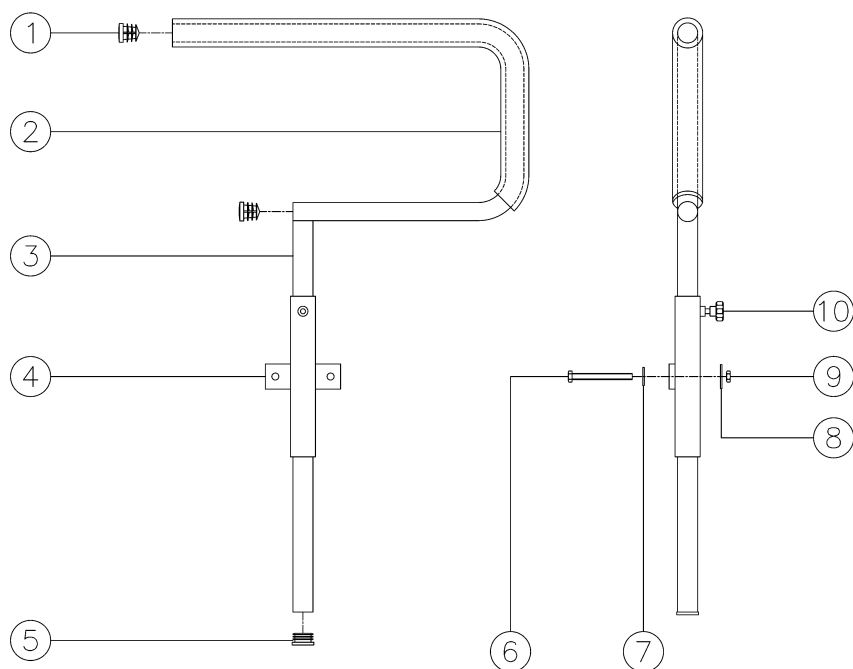
Pos.	ARTICLE	DESCRIPTION	Pos.	ARTICLE	DESCRIPTION
1	43J001	Clamp	7	49G001	Ball
2	49G002	Vial	8	244236	Flange gasket
3	49G005	Complete box	9	183270	Flange Ø135
4	51P007	Split pin Ø2 x 20	10	183273	ISPESL-certified flange Ø135
5	24E003	Level gasket	11	50A016	Screw M10 x 25 ASTM-A193-B7
6	184318	Float ball supporting rod	12	49A002	Complete automatic level

## IRON AND LIGHTING GUIDE



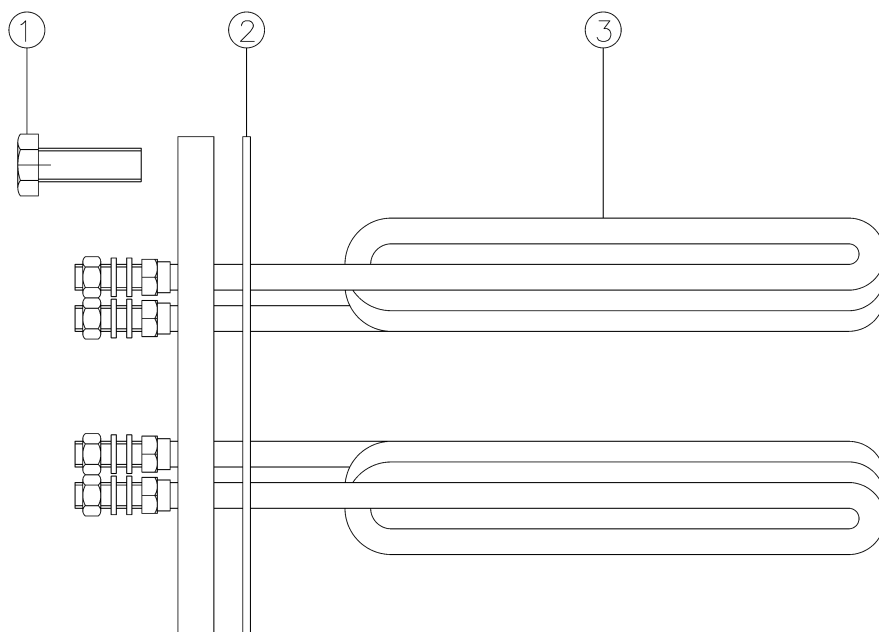
Pos.	ARTICLE	DESCRIPTION	Pos.	ARTICLE	DESCRIPTION
1	Z08M00	Iron support fitting	14	22K019	Needle
2	534264	Spring	15	174520	Accessory holder
3	43A001	Balancing device	16	174521	Bracket for accessory holder
4	51X010	Ring	17	39H043	Iron steam solenoid valve coil
5	174022	Bracket	18	39B012	Iron steam solenoid valve
6	56B002	Complete wheel	19	175108	Supporting bracket for condensate separator
7	43C009	Lamp 36W - 230V	20	46R005	Wire holder
8	43C007	Complete upper light	21	244244	Gasket 30x7x3
9	174084	Front lamp support	22	43K005	Switch box
10	22A002	Bumper foot	23	43A003	Switch
11	173304	Guide L150	24	43H001	Socket
	173025	Guide L178	25	174017	Spacer L35
12	173028	Upper column	26	174016	Spacer L43
13	202052	Condensate separator	27	173011	Bottom column

### LEG DIVIDER (SHORT TYPE)



Pos.	ARTICLE	DESCRIPTION	Pos.	ARTICLE	DESCRIPTION
1	22K021	Cap	6	50A029	Screw M6x60
2	07A007	Insulating rubber pipe	7	50J009	Washer 6x18
3	173035	Leg divider	8	50J008	Washer 8x24
4	173027	Leg divider support	9	51A003	Nut M6
5	22K025	Cap 20 x 20	10	52A004	Handwheel

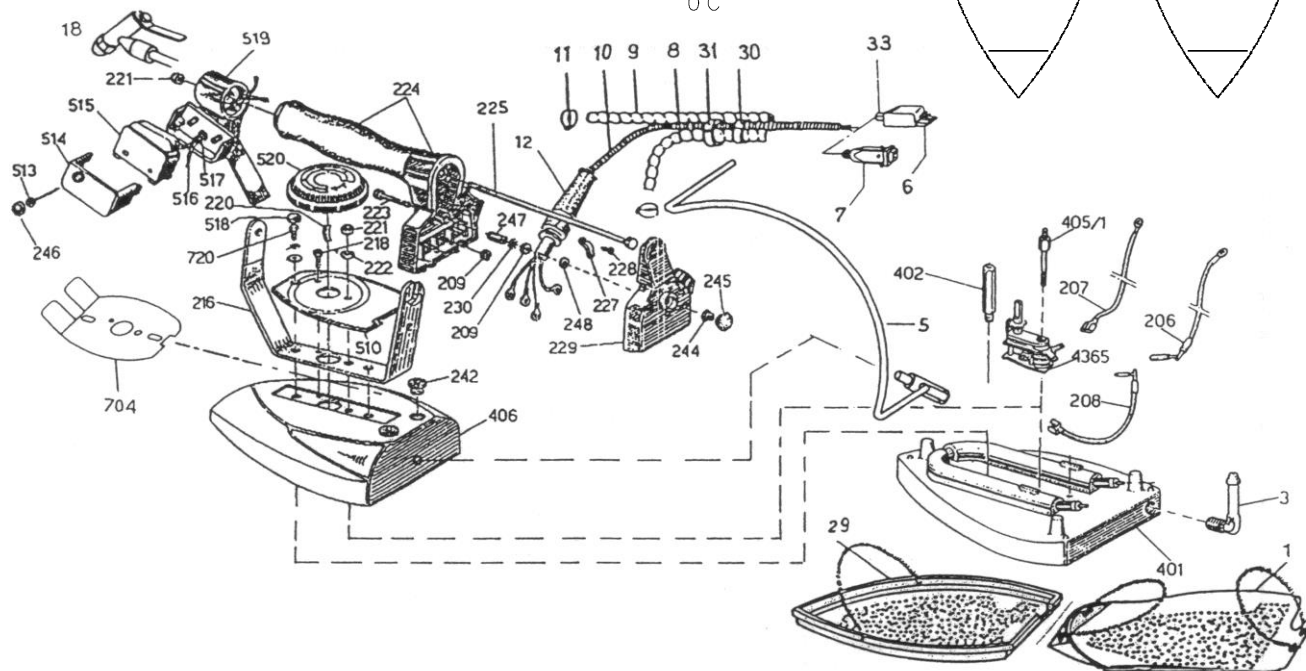
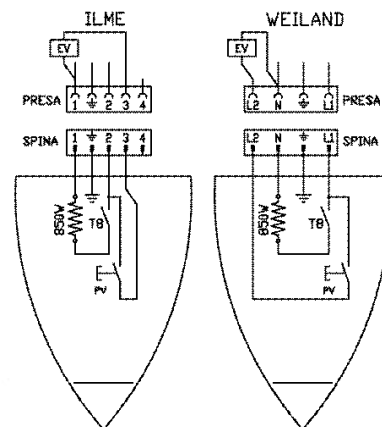
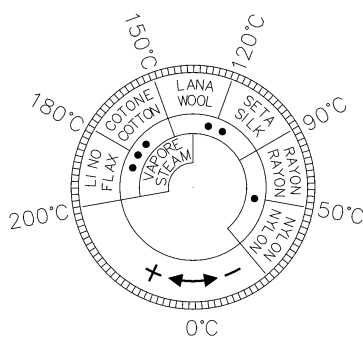
### RESISTANCE FLANGE Ø 130



Pos.	ARTICLE	DESCRIPTION	Pos.	ARTICLE	DESCRIPTION
1	50A016	Screw M10x25	3	212061	Boiler resistance 3,9 kW
2	244236	Gasket		212060	Boiler resistance 3,3 kW
				212063	Boiler resistance 4,8 kW

## IRON MODEL "U"

TECHNICAL FEATURES	
Power supply	220V 50 Hz
Iron resistance	0,830 Kw
Operating temperature	+ 5 ÷ + 80 °C
Temperature humidity	90 % max.
Storage temperature	- 20 ÷ + 50 °C
Net weight	1,8 Kg



Pos.	ARTICLE	DESCRIPTION	Pos	ARTICLE	DESCRIPTION
4365	45A005	Thermostat with thermal fuse	224	222056	Handle
720	184453	Carter fitting screw	223	184457	Handle blocking screw
704	253297	Hand guard	222	514057	Carter fitting nut
520	224217	Knob	221	514056	Handle tie rod nut
519	173236	Micro holder	220	534288	Knob spring
518	22K038	Carter screw cap	218	184455	Carter fitting screw
517	224217	Sheath	216	172057	Handle support
516	304284	Micro wires	209	514055	Terminal box nut
515	43D009	Micro complete with wires and sheath	208	304282	Thermostat resistance electric connection
514	43K007	Micro-switch box	207	304281	Thermostat terminal box electric connection
513	184451	Micro screw	206	304280	Resistance terminal box electric connection
510	264350	Identification plate	33	224255	Plug grommet
406	253255	Carter	31	224260	Cable fastener terminal
405/1	174020	Thermostat column	30	224215	Spring
402	174019	Column carter	29	Z23E01	Reinforced Teflon pad
401	253254	Plate with resistance	18	25A002	Spray device
248	184449	Insulating washers	12	224210	Grommet
247	174018	Mass spacer	11	51X005	Cable tie
246	22K037	Micro stopper	10	Z23C00	Electric wire
245	22K036	Stopper cap	9	07A002	Silicone pipe
244	514058	Back cover nut	8	07A001	Rubber pipe
242	224245	Gommet	7	43H009	Ilme plug
230	184448	Dented washer	6	43H002	Wieland plug
229	222133	Back cover	5	174009	Articulated iron holder
228	184450	Easle screw	3	364297	Hose holder
227	174353	Blocking easel	1	Z23E00	Teflon pad
225	183255	Handle rod			

## 6 MACHINE UNPACKING AND INSTALLATION

---

**WARNING:** This device can be installed, opened and repaired by specialized personnel only.

### 6.1 UNPACKING

After choosing the suitable site to install the machine, open the packaging and remove the device. Check that it has suffered no damage during transportation and storage. The packaging material can be disposed of normally, no special precaution being required since it is neither dangerous nor a pollutant. Comply with local disposal regulations.

### 6.2 MACHINE INSTALLATION

The machine needs no anchoring to the floor, except onboard moving means.

Provide for adequate installation room, leaving enough surrounding space to allow correct operation and assistance.

Do not install the machine in aggressive and/or deflagrating/flammable environments.

### 6.3 ELECTRIC CONNECTIONS

Connect the machine to the electric line as indicated in the drawing, checking that the voltage and frequency match the data on the plate.

The power wire section must be suitable for the machine's absorption and of a type compliant with the regulations in force.

We advise to fit on the line a circuit breaker with fuses or a magneto-thermal circuit breaker. Insert the wire in the hole fitted with a wire gland, then tighten. Connect the wire to the line incoming terminals in the electric panel as indicated in the drawing of this manual.

Check the correct motors rotation direction and, if wrong, invert two of the three input phases.

**N.B.:** When all connections are completed, make sure the wires are protected from possible shocks and suitably fitted and insulated.

### 6.4 WATER AND BOILER DISCHARGE CONNECTION

Connect the water pipework to the machine's Ø 12 hose holder. Fit a shutoff valve and a filter on the water supply, which must be closed every night to prevent water backwash in the boiler. Connect the gate valve of the boiler discharge (G 3/8" threading) to the sewers.

## 7 OPERATION INSTRUCTIONS

---

### 7.1 STARTING UP

- The unit can be used, opened and repaired by specialized personnel only.
- DO NOT use the machine if it is immersed in fluids or in a particularly aggressive or deflagrating/flammable environment.
- Do not overlook hazards to health and comply with health and safety regulations.
- Check that the electric connection is correctly made and compliant with the regulations in force, and that all fuse boxes are closed and complete with their fuses.
- Check the machine's integrity.

### 7.2 USE

- Open the supply shutoff valve.
- Activate the general switch of the machine.
- Press the boiler button
- The water supply warning light turns on automatically (water starts streaming into the boiler).
- When water reaches the set level, the relevant warning light automatically turns off and the boiler's resistance turns on, as well as the boiler resistance warning light.
- After a few minutes, the boiler reaches its 4.5-bar operating pressure (check pressure on pressure gauge) and the relevant warning light automatically turns off.
- The generator is ready to supply steam.
- Adjust the working surfaces temperature using the thermostat handle.
- Wait for the boards to reach the set temperature.
- Press the left pedal to activate air suction on the board.
- Press the right pedal to activate steam on the board.
- Upon completing the work, turn the board off using the relevant buttons.

### 7.3 USING THE ARM

- Grab the sleeve board and pull it over the main board in working position. The valve housed inside the arm automatically opens. Press the left pedal to activate suction.

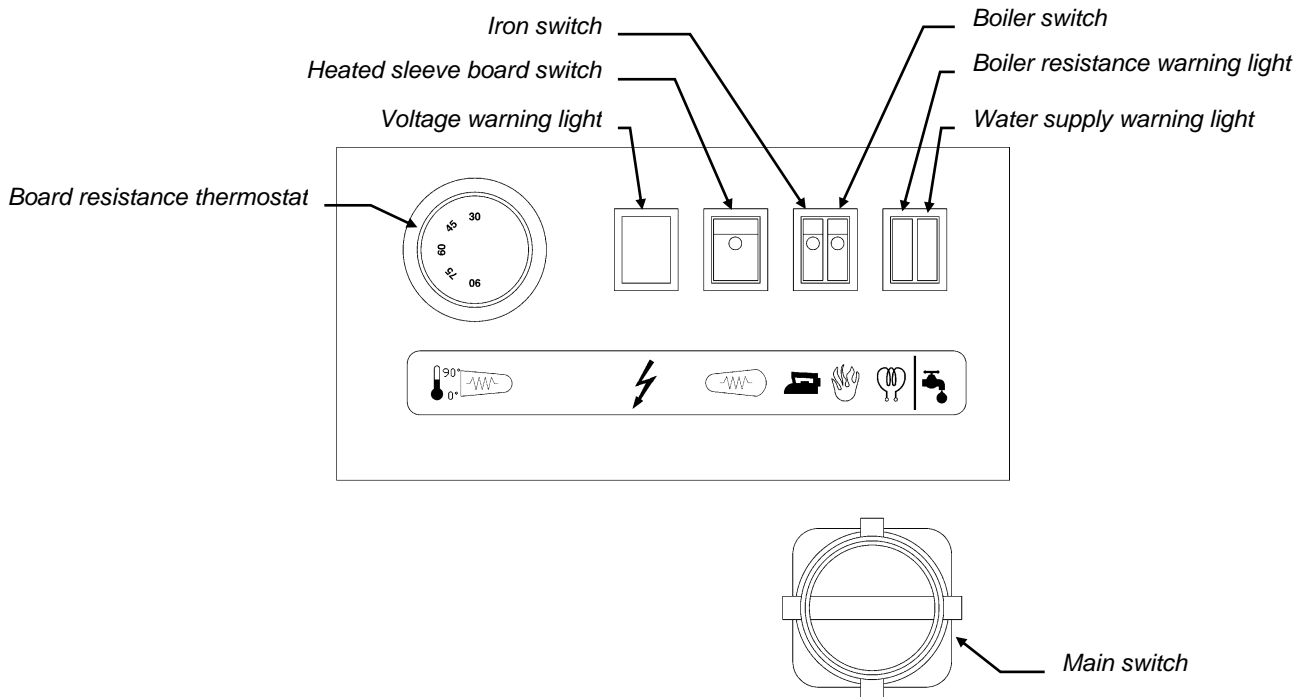


7.4 USING THE IRON MODEL "U"

- Turn on the iron switch.
- Wait for a few minutes before starting to work, to let the plate reach the set temperature.
- If it is necessary to keep the iron temperature very high, we advise to fit a Teflon® pad to the iron plate to avoid burning the garment.

7.5 USING THE "AIR-STEAM GUN" FOR STAIN REMOVAL

- Lay the garment to be treated on the stain removal board and place the stain over the suction area.
- Press the steam button, pointing the nozzle towards a container to let condensate exit until steam comes out.
- Approach the gun to about one centimeter of the area to be treated and simultaneously press the suction pedal and the steam button on the gun.
- Once the stain is dissolved, dry the treated area by pressing simultaneously the suction pedal and the air button on the gun.



8 TROUBLESHOOTING

We hereunder report a diagnostic table which indicates the main problems, their probable causes and possible solutions. When in doubt and/or in case of unsolvable problems, do not try and look for the malfunction by dismantling parts of the machine but contact the Ghidini Technical Department or a dealer.

DIAGNOSTIC TABLE		
PROBLEMS	POSSIBLE CAUSES	SOLUTIONS
No suction on the boards	Pedal micro-switch malfunction	Replace micro-switch
No steam spraying on the boards	Pedal micro-switch malfunction	Replace micro-switch
The boards fail to heat up	Thermostat malfunction	Replace thermostat
The machine fails to turn on	Main switch not on	Check if main and fuses switched are on
	Switch off	Turn on switch
No steam coming out	Iron or boiler switch not on.	Turn switch on
The water warning light is on and the water pump keeps on running without stopping	No water streaming into boiler	Check if water tap is open.
		Check if water mains are under pressure.
		Check if water filter is not clogged.
The resistance warning light stays on and the boiler fails to reach the working pressure	Leak on the boiler exhaust	Check if boiler discharge gate valve is well closed.
	Resistance either burnt or calcified	Check resistance condition.

**WARNING:** if the safety valve is released, immediately turn the boiler off and call a qualified technician. Do not block the discharge and, in any case, do not underestimate the problem. Explosion hazard.

## 9 PRECAUTIONS FOR USE

Read with attention the warnings and hazards associated to the use of an ironing board. The operator must know the machine's operation and clearly understand such hazards by using the manual.

If the machine is equipped with an iron, do not leave it on for long and always keep it on its holder. The machine's working surfaces and metal plate remain hot for some minutes after turning it off. Beware of the burning hazard and do not put objects on them until they have completely cooled down.

### Electric power

Before any intervention on the machine, disconnect it from its power supply and take steps to make sure that no one can reconnect it during said intervention. All installed, electric and electronic equipment, and basement structures must be earthed.

### Flammability

It is advised to use every mean available to prevent any contact between the machine and very hot parts or free flames. Make sure extinguishers are always available by the machine for quick intervention in case of fire.

### Pressure/Steam

Before any intervention, turn the boiler off, wait for the pipes to cool down and make sure no pressure is left in the boiler and in any part of the hydraulic circuit, which might cause spurts of steam when dismantling connections or components.

### Noise

No excessive noise is released by the machine, which remains under 70 dB(A).

## 10 WARNINGS

Compliance checks to the essential safety requisites and to the provisions prescribed in the machines directive are to be carried out by filling out pre-drafted check lists enclosed in the *technical file*.

Two types of such lists are used:

- list of hazards (taken from EN 1050 in reference to EN 292)
- implementation of essential safety requisites (Dir. Machines - att. 1, part 1)

**We hereunder list those hazards not completely eliminated, yet deemed acceptable:**

- during maintenance, low pressure spurts of steam are possible (in any case, suitable PPEs should be worn during such operation).
- Protection against direct and indirect contacts with steam should be provided for by the user.

## 11 DIMENSIONS AND DRAWINGS

1 – Steam plug

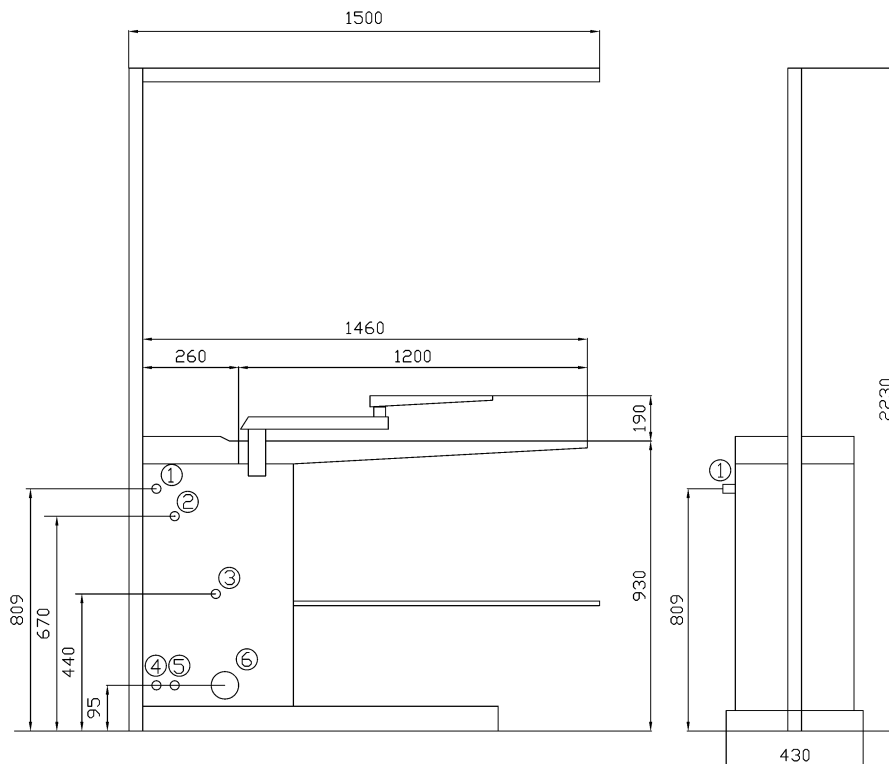
2 – Condensate return

3 – Boiler discharge

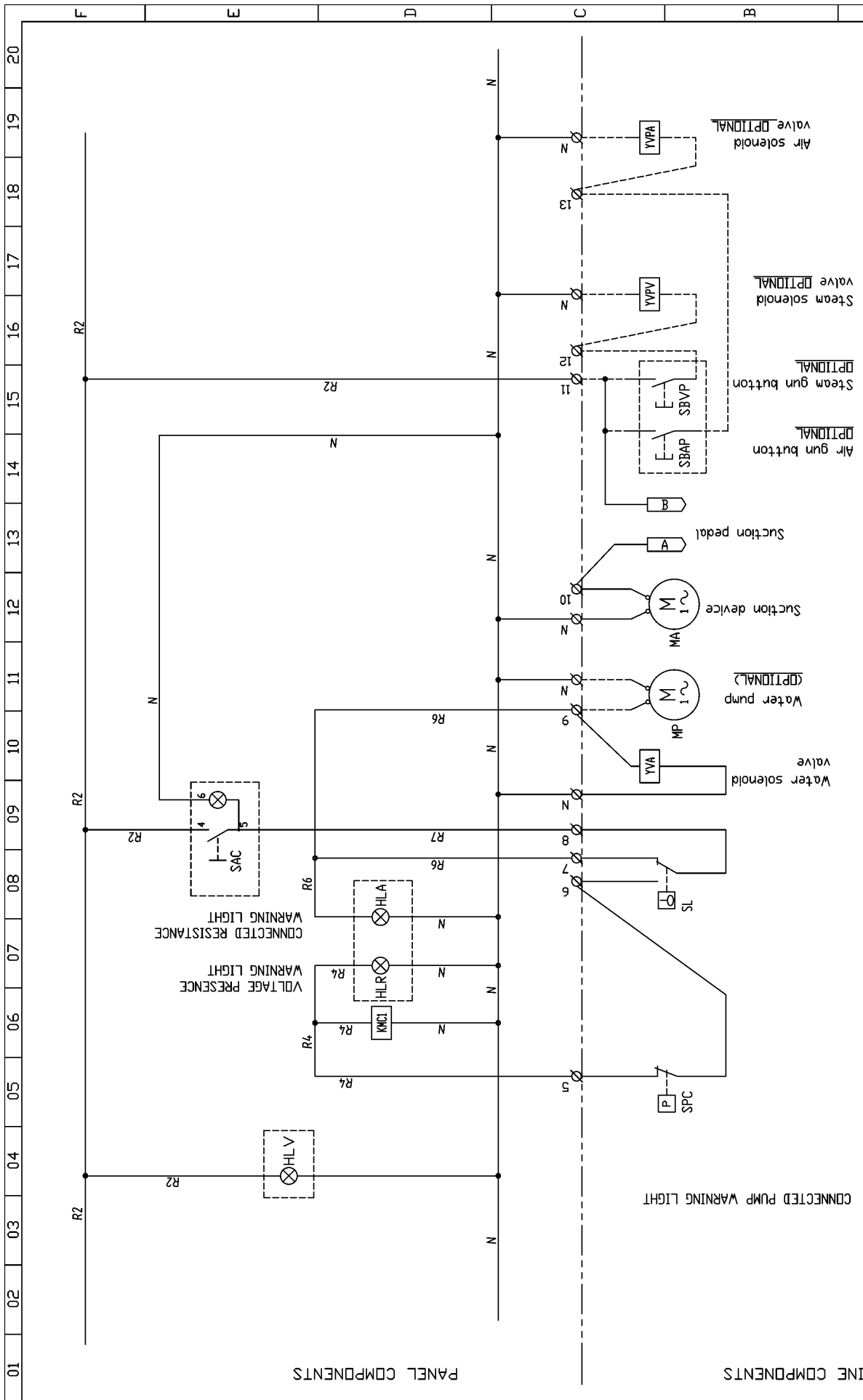
4 – Power supply

5 – Water inlet

6 – Suction discharge

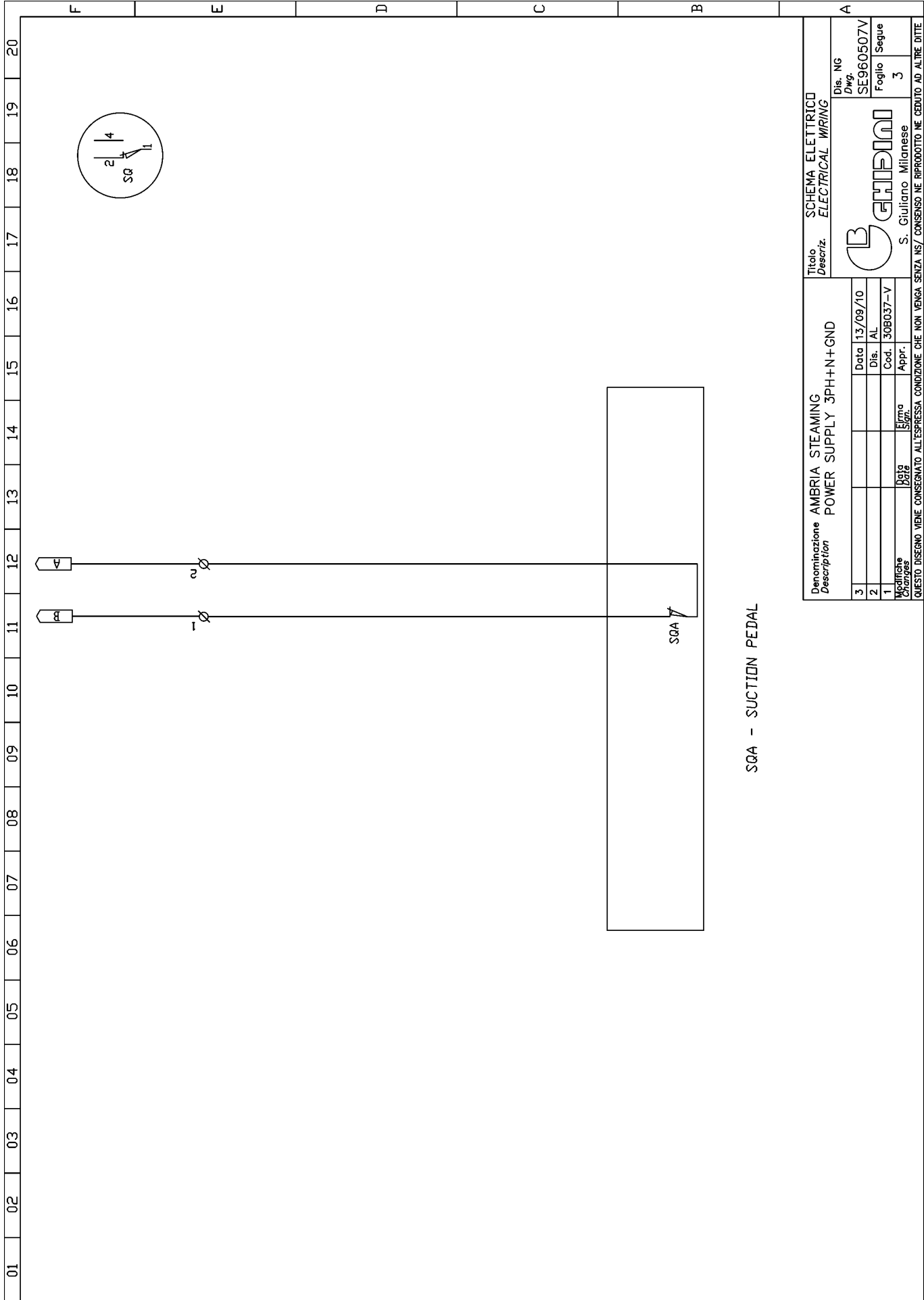






Denominazione Description		AMBRIA STEAMING POWER SUPPLY 3PH+N+GND	
Titolo Descriz.		SCHEMA ELETTRICO ELECTRICAL WIRING	
Dis. NG Dwg.		SE990628V	
Foglio Sheet		2	
Seque Seq.		3	
 S. Giuliano Milanese			
Data		13/09/10	
Dis. AL		308037-V	
Cod.		308037-V	
Firma		[Signature]	
Appr.		[Signature]	
Modifiche Changes			
QUESTO DISEGNO VIENE CONSEGNATO ALL'ESPRESSIONE CONDIZIONE CHE NON VENGA SENZA NS/ CONSENSO NE RIPRODOTTO NE CEDUTO AD ALTRE DITTE			

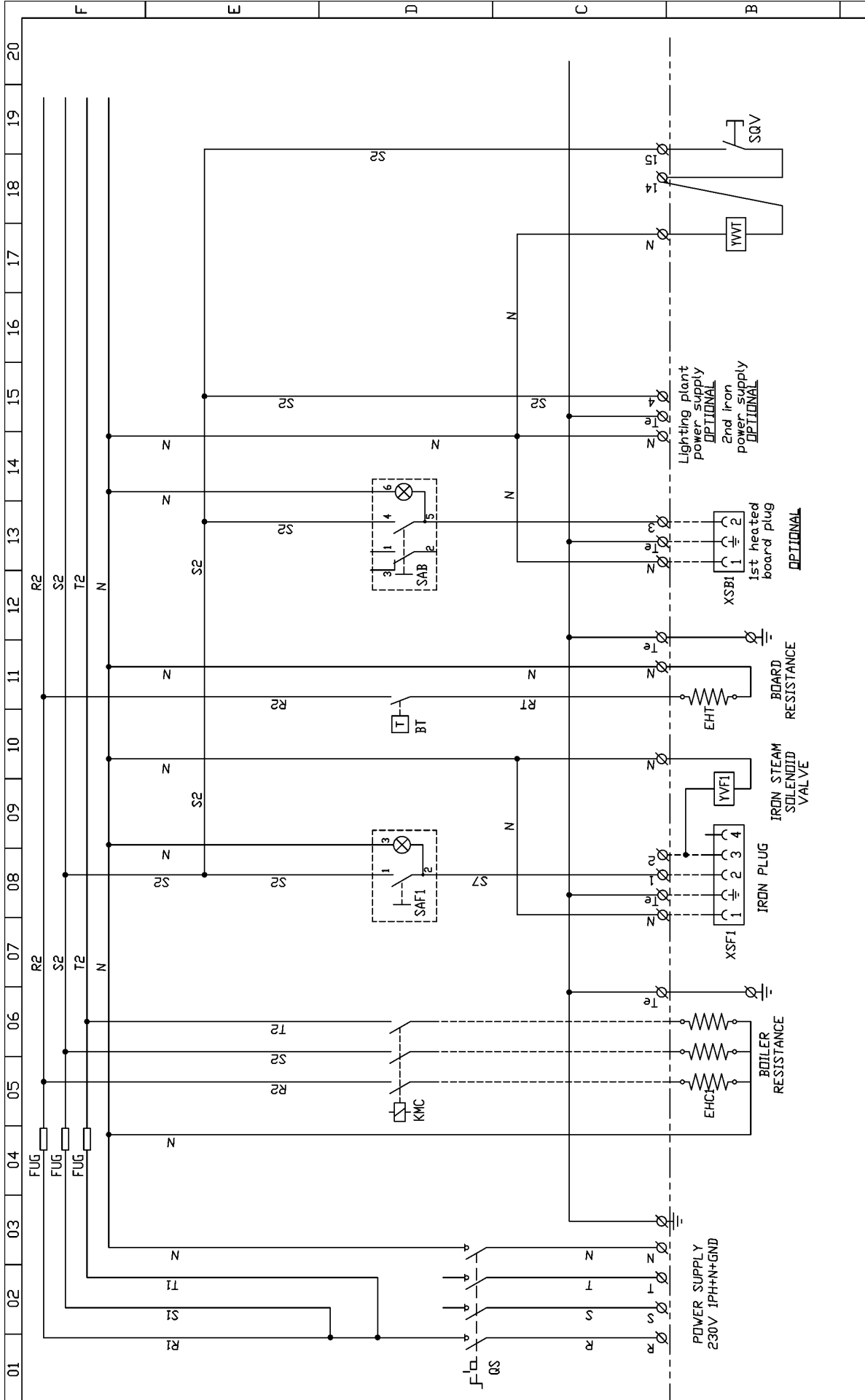
- SAC - Boiler switch
- HLV - Voltage presence warning light
- SPC - Boiler pressure switch
- HLR - Voltage presence warning light
- HLA - Connected resistance warning light
- SL - Boiler levelmeter



SQA - SUCTION PEDAL

Denominazione Description		AMBRIA STEAMING POWER SUPPLY 3PH++N+GND		Titolo Descriz.		SCHEMA ELETTRICO ELECTRICAL WIRING	
3		Data	13/09/10	Dis. NG	SE960507V		
2		Dis. AL		Dwg.	Foglio   Segue		
1		Cod.	30B037-V		3		
Modifiche Changes		09/18	Firma	S. Giuliano Milanese			
QUESTO DISEGNO VIENE CONSEGNATO ALL'ESPRESSIONE CONDIZIONE CHE NON VENGA SENZA NS/ CONSENSO NE RIPRODOTTO NE CEDUTO AD ALTRE DITTE							



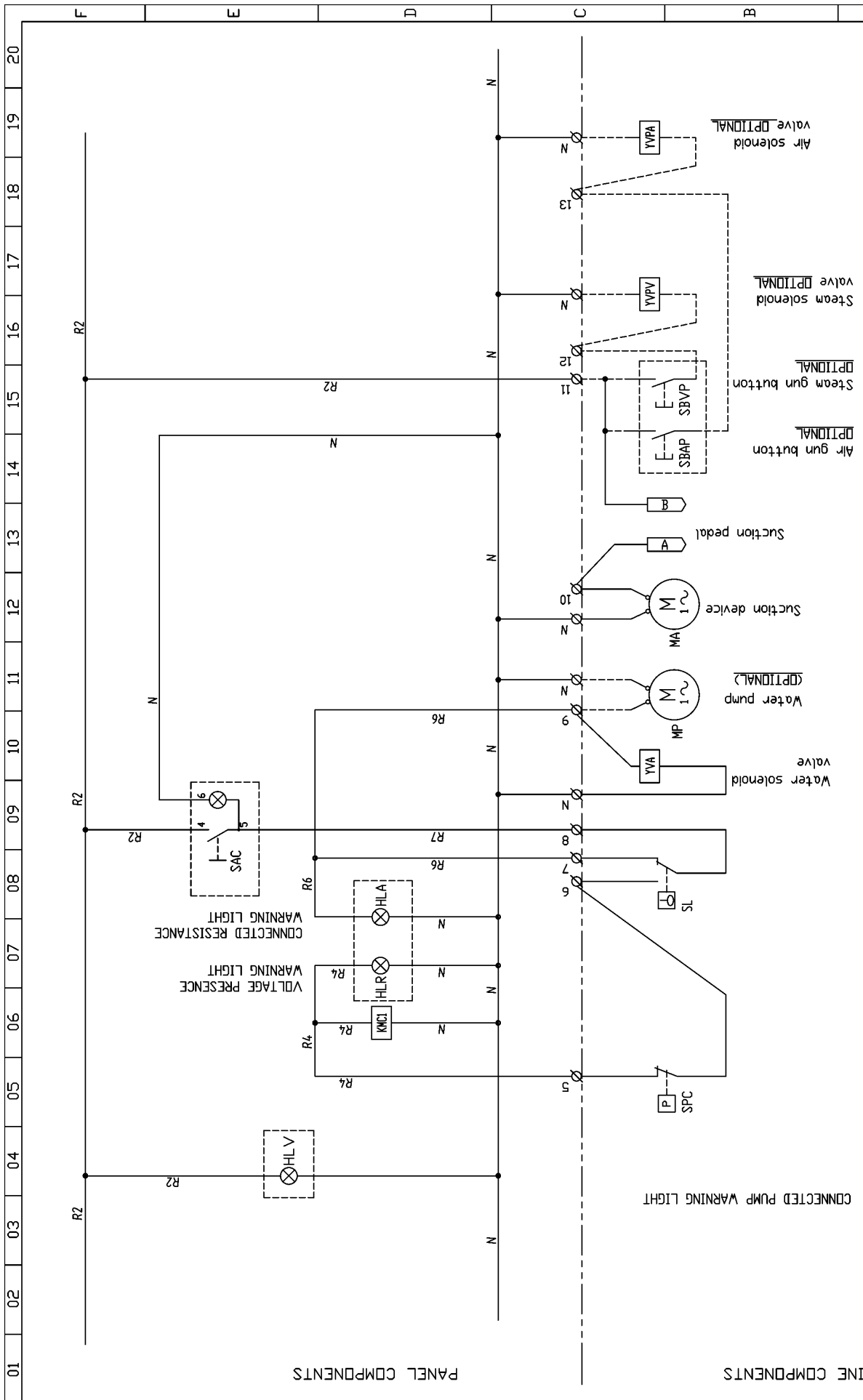


<b>Denominazione</b> Ambria Steaming <b>Description</b> Power supply 230V 1PH+GND		<b>Titolo</b> SCHEMA ELETTRICO <b>Descriz.</b> ELECTRICAL WIRING	
3	Date	13/09/10	Dis. NG
2	Dis. AL		SE990628V
1	Cod.	308037-V	Foglio Segue
Modifiche		02/18	1
Changes			2
			1
			2

QUESTO DISEGNO VIENE CONSEGNATO ALL'ESPRESSA CONDIZIONE CHE NON VENGA SENZA NS/ CONSENSO NE RIPRODOTTO NE CEDUTO AD ALTRE DITTE

SQV - Steam micro-pedal CODE: 43D002  
 YVVT - Tray steam solenoid valve CODE: 39B041  
 QS - Breaker switch In = 40A  
 FUG - Fuse 20A GI  
 KMC1 - Contactor  
 SAB - Heated sleeve board switch (OPTIONAL)  
 SAF1 - 1st iron switch

S. Giuliano Milanese



Denominazione Description		AMBRIA STEMING POWER SUPPLY 230V 1PH+GND	
Titolo Descriz.		SCHEMA ELETTRICO ELECTRICAL WIRING	
Dis. NG Dwg.		SE990628V	
Foglio Sheet		2	
Seque Seq.		3	
Data		13/09/10	
Dis. AL		308037-V	
Cod.		308037-V	
Firma		[Signature]	
Appr.		[Signature]	

QUESTO DISEGNO VIENE CONSEGNATO ALL'ESPRESSIONE CONDIZIONE CHE NON VENGA SENZA NS/ CONSENSO NE RIPRODOTTO NE CEDUTO AD ALTRE DITTE

SAC - Boiler switch  
 HLV - Voltage presence warning light  
 SPC - Boiler pressure switch  
 HLR - Voltage presence warning light  
 HLA - Connected resistance warning light  
 KMC1 - Boiler resistance command contactor  
 SL - Boiler levelmeter

## 12 MAINTENANCE PROCEDURES

---

In case of abnormal working or malfunctions, please contact the Technical Assistance for the relevant checks.

**Perform periodical checks as to:**

OPERATION	WORK HOURS
Drain boiler (*)	40
Clean water filter	1,500
Clean boiler, resistance elements, check level	2,500

(\*) Drain the boiler when pressure is 1 bar to eliminate calcium deposits and impurities. When the machine is turned off, progressively open the boiler draining valve. It is recommended to carry out this operation before starting work, not in the evening after work, since the new water sent into the boiler is rich in oxygen which, during the night, increases the corrosion process in the body.

Checking and/or maintenance activities on the machine require no special tooling. It is however advisable to use tools and personal protection equipment suitable for use in compliance with D. Lgs. 626/94 and in good conditions (DPR 547/55) to prevent damages to persons or machine components.

**Make sure electric and hydraulic power supplies are disconnected before performing any maintenance intervention, and that the whole equipment has cooled down.**

## 13 DISPOSAL

---

During machine maintenance or when dismantling it, do not leave contaminating parts around. Refer to local regulations for their correct disposal. When dismantling the machine, destroy the identification plate and any other document.

## 14 ORDERING INFORMATION FOR SPARE PARTS

---

When ordering spare parts, always indicate:

machine model, serial number, number of parts needed, code number of the part (these can be found on the plate, in the machine's technical data and in the operator's and maintenance manual).

For electrical components whose voltage and frequency differ from V 220-380/50Hz (check these data on the plate of the malfunctioning component), follow the code with the exact voltage and frequency.

The data, description and illustrations contained in this manual are in no way binding.

The manufacturer reserves the right to make at any time all the changes that will be deemed suitable, with no obligation to update this manual.

## 15 HANDLING AND TRANSPORTATION

---

Before shipment the machine is accurately packed inside a cardboard crate. During transportation and storage, pay attention to the directions reported on the package. Upon receiving the machine, check whether or not the package is damaged and store the machine in a dry place.

## 16 WARRANTY

---

A 12-month maximum warranty is attached to all Ghidini products from the delivery date to cover manufacturing and material defects.

**This warranty is applied as hereunder indicated:**

In case of device malfunction, contact the Ghidini dealer and accurately describe the defect, indicating model, serial number, product code as well as the conditions of use of the product in question.

Upon receiving the device, and based upon accurate analyses, Ghidini reserve the right to decide whether to repair or replace the product. If the warranty is still valid, the Ghidini dealer will repair or replace it at our expenses.

If the returned product is not defective, Ghidini will be entitled to decide whether or not to charge the sustained costs (transportation, etc.) to the customer.

This warranty will become null and void in case the damages or lesions reported on the products are the result of improper use, negligence, normal wear, chemical corrosion, installation non compliant with the expressly indicated instructions and failure to use it as per the manufacturer's recommendations. Any modification, tampering and alteration of the equipment or parts thereof without previous written authorization from Ghidini will relieve them from any liability and warranty obligation.

The parts subject to normal wear and the perishable ones are not covered under this warranty.

Anything not expressly indicated herein, as well as damages, lesions or costs due to defects of the product are excluded from the warranty.

The validity conditions of the Ghidini warranty are implicitly deemed accepted at the time of purchase of the product. Any modification or derogation to this warranty will become valid solely upon previous written authorization from Ghidini.



## 17 DECLARATION OF COMPLIANCE

---

**Manufacturer:**

GHIDINI  
Company

Via Tolstoi, 24 – 20098 S. Giuliano Milanese (MI)  
Address

+39 -02 -98.24.06.00  
Telephone

**We hereby certify that:**

**The machine:**

Ironing board – **AMBRIA Steaming**

- \* has been manufactured in compliance with the Directives of the EUROPEAN COMMUNITY COUNCIL on machines (98/37/CE) and on low voltage (BT 73/23/CEE).
- \* has been manufactured, as far as possible, in compliance with the following standards and harmonized technical specifications: EN 292-1/2, EN 1050, EN 982, EN 11200, EN 60947, EN 894-1/2.

---

Managing director

Roland Fleischmann

Product manager

Name

GHIDINI S.R.L.

Company



December 2005

Signature

Date

