




<i>Manufacturer</i>	GHIDINI BENVENUTO s.r.l.
<i>Product</i>	Ironing table – VAPOR
<i>Year</i>	2008
<i>Certification</i>	

CONTENTS

1	INTRODUCTION	10	HAZARDOUS USE
2	GENERAL DESCRIPTION	11	OVERALL DIMENSIONS AND DRAWINGS
3	MACHINE IDENTIFICATION	12	MAINTENANCE PROCEDURES
4	TECHNICAL FEATURES	13	DISPOSAL
5	MACHINE COMPONENTS	14	HOW TO ORDER SPARE PARTS
6	MACHINE UNPACKING AND INSTALLATION	15	HANDLING AND TRANSPORT
7	INSTRUCTIONS FOR USE	16	WARRANTY
8	TROUBLESHOOTING AND SOLVING	17	CONFORMITY DECLARATION
9	PRECAUTIONS		

1 INTRODUCTION

The present user's and maintenance manual refers to the ironing table "VAPOR".

It is possible to receive the latest release from our Technical Commercial Department or by visiting our website www.ghidini-gb.it. The present user's and maintenance manual contains important information for the operator's health safeguard and safety.

This manual has to be read and kept carefully, in order to be always at the operator's disposal in case of need.

Ghidini s.r.l. cannot be held liable for any damage to things or injury to persons caused by improper use of the machine in contrast with these instructions.

Any possible modifications effected on the components of the machine or its different use without prior written authorization by Ghidini s.r.l., relieve the latter of injury to persons and / or damages to things, voiding any warranty bindings, as well.

2 GENERAL DESCRIPTION

The ironing table VAPOR is completely self-contained and doesn't require any other supporting equipment for its operation, but only an external power supply.

The machine features a broad universal ironing board and a sleeve shape, both of which are padded, electrically heated and equipped with a suction and up-steaming device. It features furthermore a garment tray, a control panel to adjust the board temperature and to operate the different working units, a professional steam iron, and a built-in boiler with both automatic water feeding and pressure control. It is also possible to install on request: a stainless steel spotting shape, a steam-air gun, a heated egg-shape, a supporting rail complete of iron hanger and lighting, a swivelling iron rest, and a leg divider. Thanks to the operation controlled by pedal, the machine is very user-friendly and efficient.

3 MACHINE IDENTIFICATION

A tag placed on one side of the machine indicates type, serial number, year of construction and the supply voltage of the machine.

4 TECHNICAL FEATURES

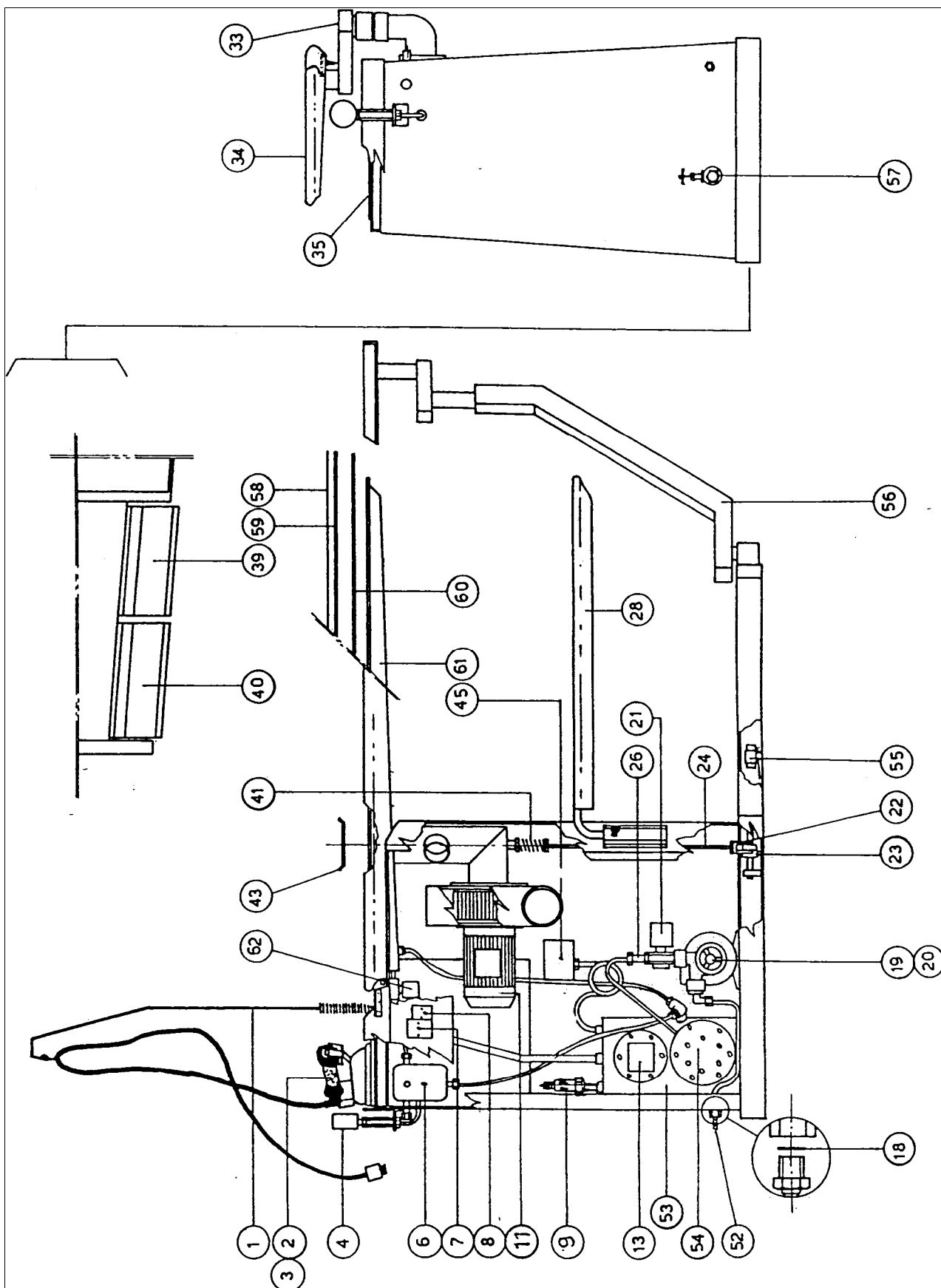
VAPOR	E	A	A maxi	A2	A2 maxi	V 3f	V 3f maxi	V 1f	V 1f maxi	V AC	V AC maxi	
Power supply	230-400V – 3ph / 50 Hz						230V – 1ph / 50 Hz					
Boiler heater (Kw)	6-7,5	8-10-12-15	6+6-7+7-8+8			===						
Iron heater (Kw)						0.83						
Sleeve shape heater (Kw)						0.14						
Suction device motor (Hp)						0.6				===		
Pump motor (Hp)	0.75					===						
Steam pressure (bar)	4.5											
Steam consumption (Kg/h)	8÷12	10÷15	8÷12	10÷15	8÷12	10÷15	8÷12	10÷15	8÷12	10÷15		
Air pressure (bar)						===					4	
Air consumption (Nl/min)						===					3	
Sound intensity level (dB)	63	65	63	65	63	65	63	65	63	65	62	
Working temperature (°C)	+5 ÷ +80											
Working humidity (%)	90 max.											
Storing temperature (°C)	-20 ÷ +50											
Net weight (Kg)	141	152	164	152	164	108	123	108	123	105	120	
Gross weight (Kg)	191	202	214	202	214	158	173	158	173	155	170	

WARNING: The machine must not be supplied with different voltages than those indicated on the table.

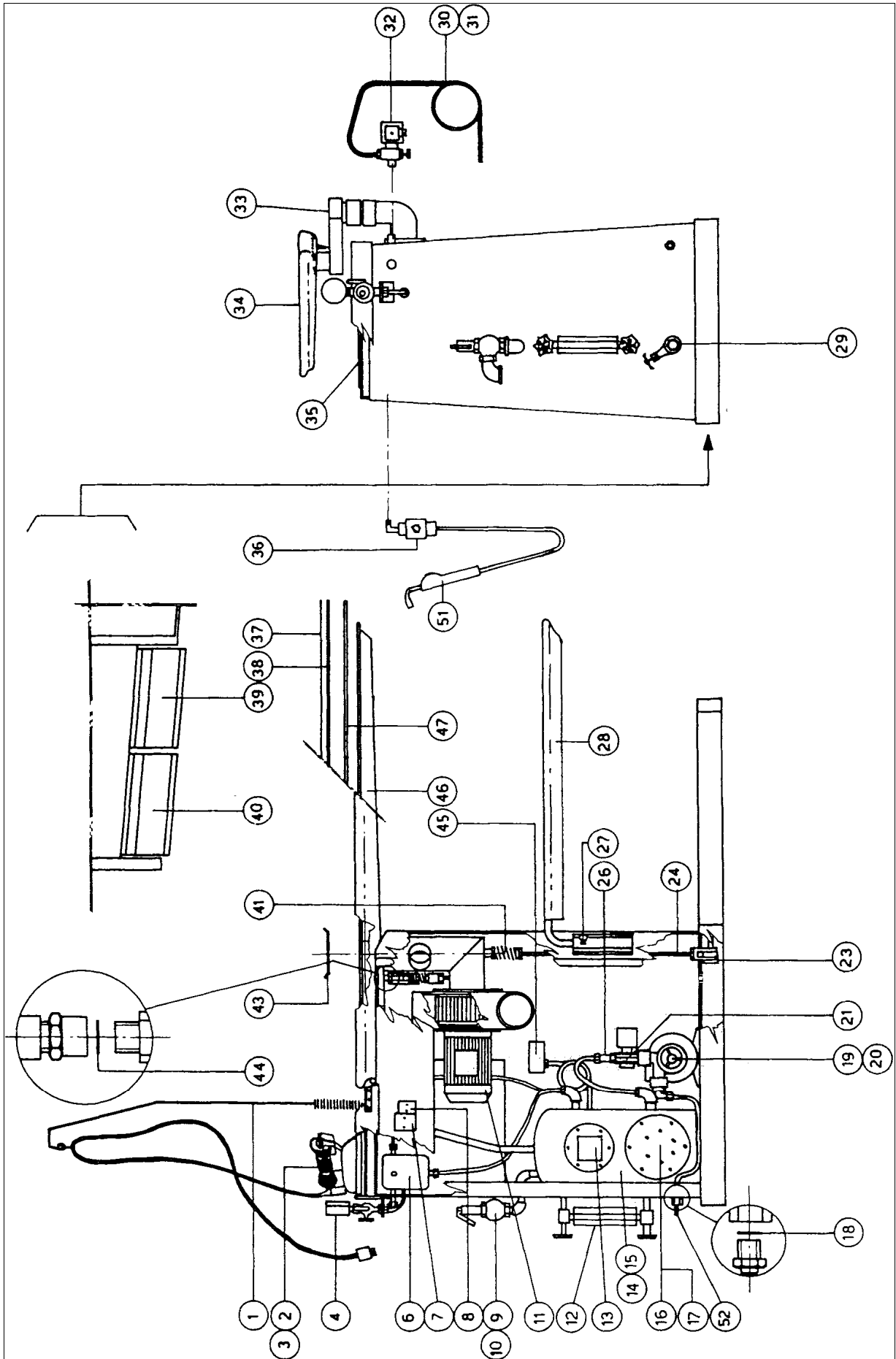
5 MACHINE COMPONENTS

The machine features the following main components:

VAPOR E STANDARD

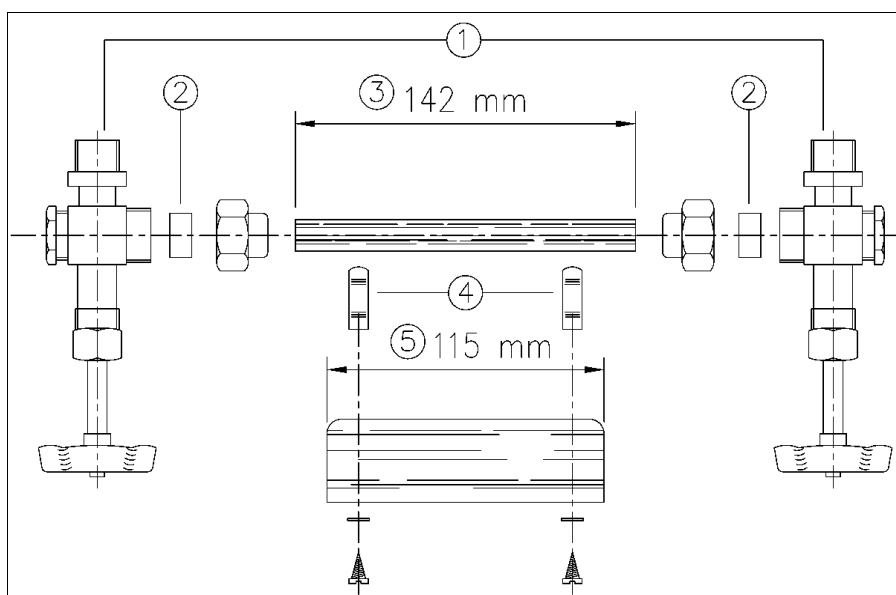


VAPOR A MAXI



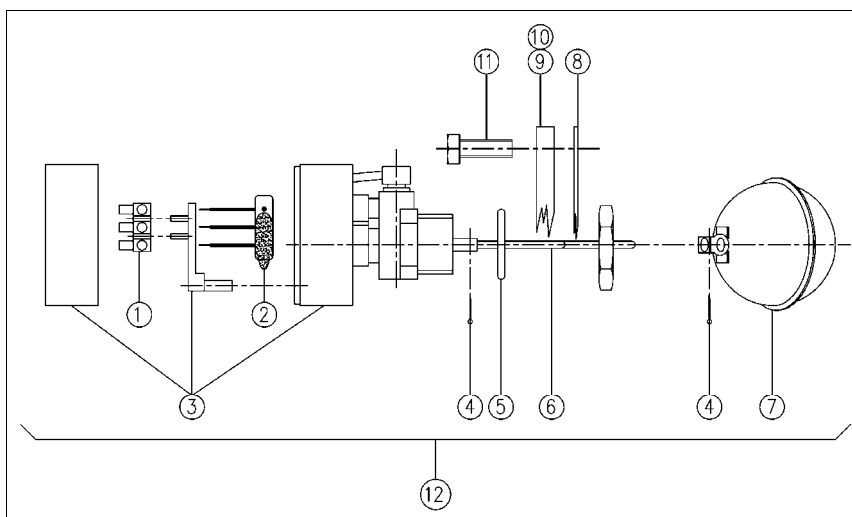
Pos.	ARTICLE	DESCRIPTION	Pos.	ARTICLE	DESCRIPTION
1	534269	Iron cable support	38	274113	Net and cover for Maxi-board
2	Z01L10	Steam iron mod. U	39	172121	Steam pedal
4	35A002	Pressure gauge	40	172121	Suction device pedal
6	202049	Condensation separator	41	534274	Spring for board suction valve
7	43G004	Iron socket	43	184010	Cap for suction valve
8	43G005	Sleeve shape socket	44	175061	Board steam filter
9	38S001	Safety valve	45	45G001	Pressure switch
10	38S008	Safety valve TÜV	46	190022	Maxi board
11	E-20	Suction device	47	161044	Maxi board plate
12	E-03	Visual level indicator	51	Z07A00	Steam gun
13	E 02	Automatic level control	52	36E006	Hose holder
14	200076	Boiler drum 15l PED	53	202145	Boiler 5l
16	E-04	Heater flange Ø200	54	E-11	Heaters Ø150
17	E-16	Flange for double heaters Ø200	55	434443	Steam microswitch
18	174356	Water filter	56	Z27D00	Swivelling iron rest
19	E-139	Single-phase pump	57	37B002	Gate valve for boiler discharge G 3/8"
20	E-55	Three-phase pump	58	Z27P04	Compl. padding for STD board
21	39B002	Complete water solenoid valve	59	274117	Net and cover for Standard-board
22	174307	Staple	60	160003	Plate for Standard board
23	434443	Micro-switch for suction device	61	190038	Std board
24	184467	Suction rod	62	39B016	Board steam solenoid valve
26	38W001	Check valve	63	Z07C01	Steam-air gun
27	53A004	Handwheel	64	E-30	Valve unit for steam-air gun
28	274208	Cloth for garment tray	65	Z14C02	Spotting shape
29	37B001	Gate valve for boiler discharge G 1/2"	66	Z19P01	Tank
30	07A001	Steam hose Ø12x5	67	37A005	Cock for water nebulizer
31	07A002	Silicone steam hose Ø12x5	68	38A023	Pedal for sleeve shape suction
32	39B003	Compl. steam solenoid valve for iron	69	35H010	Air filter bucket
33	E-14	Swinging arm joint	70	35A001	Pressure gauge
34	Z14A01	Sleeve shape	72	383244	Central suction unit valve
35	25A001	Silicone iron rest	73	171043	Central suction unit manifold
36	39B003	Compl. solenoid valve for steam gun	74	244253	Gasket
37	Z27P05	Compl. padding for MAXI board			

(E-03) VISUAL LEVEL INDICATOR



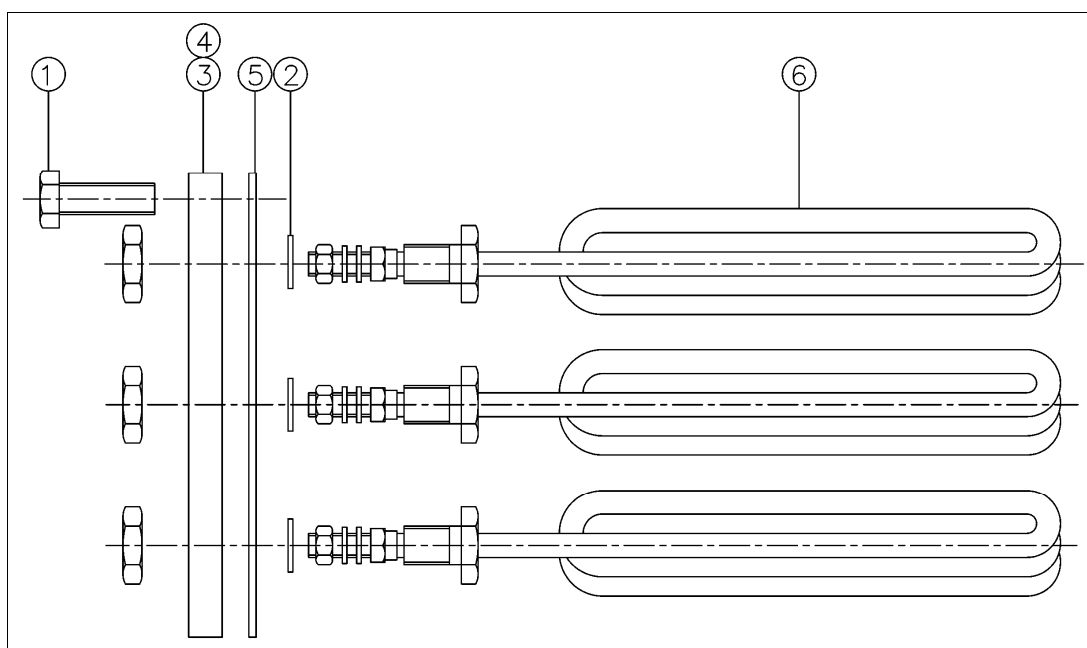
Pos.	ARTICLE	DESCRIPTION	Pos.	ARTICLE	DESCRIPTION
1	37C001	Two cocks	4	53A001	Clips for glass protection
2	244243	Gaskets	5	234218	Glass protection L.115
3	52G001	Glass L.142			

(E-02) AUTOMATIC LEVEL CONTROL



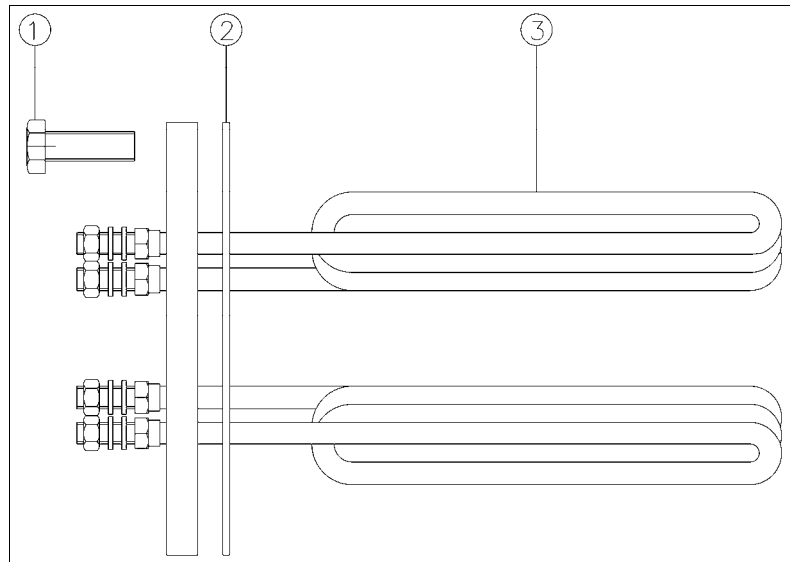
Pos.	ARTICLE	DESCRIPTION	Pos.	ARTICLE	DESCRIPTION
1	43J001	Terminal	7	49G001	Ball
2	49D013	Micro-switch	8	244236	Flange gasket
3	49G005	Complete box	9	183270	Flange Ø135
4	51P007	Split pin Ø2 x 20	10	183273	Flange Ø135 ISPEL-certified
5	24E003	Level gasket	11	50A016	Screw M10 x 30 ASTM-A193-B7
6	184318	Float supporting rod	12	49A002	Complete automatic level control

(E-04) HEATER FLANGE Ø200



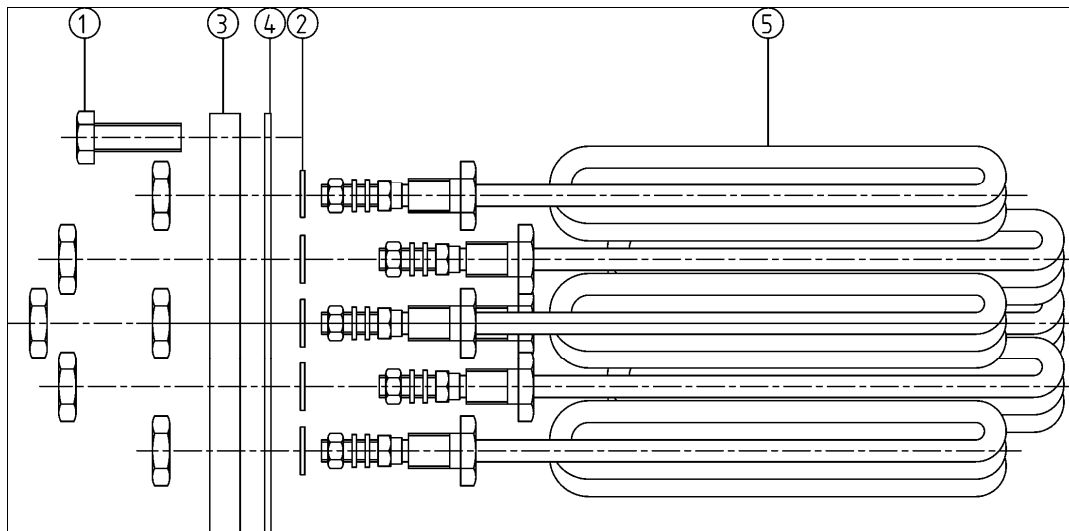
Pos.	ARTICLE	DESCRIPTION	Pos.	ARTICLE	DESCRIPTION
1	50A015	Screw M14 x 30 ASTM-A193-B7	6	213159	Heater V230 Kw2.7
2	24E002	Washer		215102	Heater V115 Kw3.3
3	183271	Flange Ø200 ISPEL-certified		213149	Heater V230 Kw3.3
4	183268	Flange Ø200		213150	Heater V400 Kw3.3
5	244348	Gasket		213151	Heater V230 Kw4
6	213145	Heater V230 Kw1.3		213152	Heater V400 Kw4
	212159	Heater V230 Kw2		213153	Heater V230 Kw5
	213147	Heater V230 Kw2.3		213154	Heater V400 Kw5
	213148	Heater V400 Kw2.3		213155	Heater V230 Kw6

(E-11) HEATER FLANGE Ø150



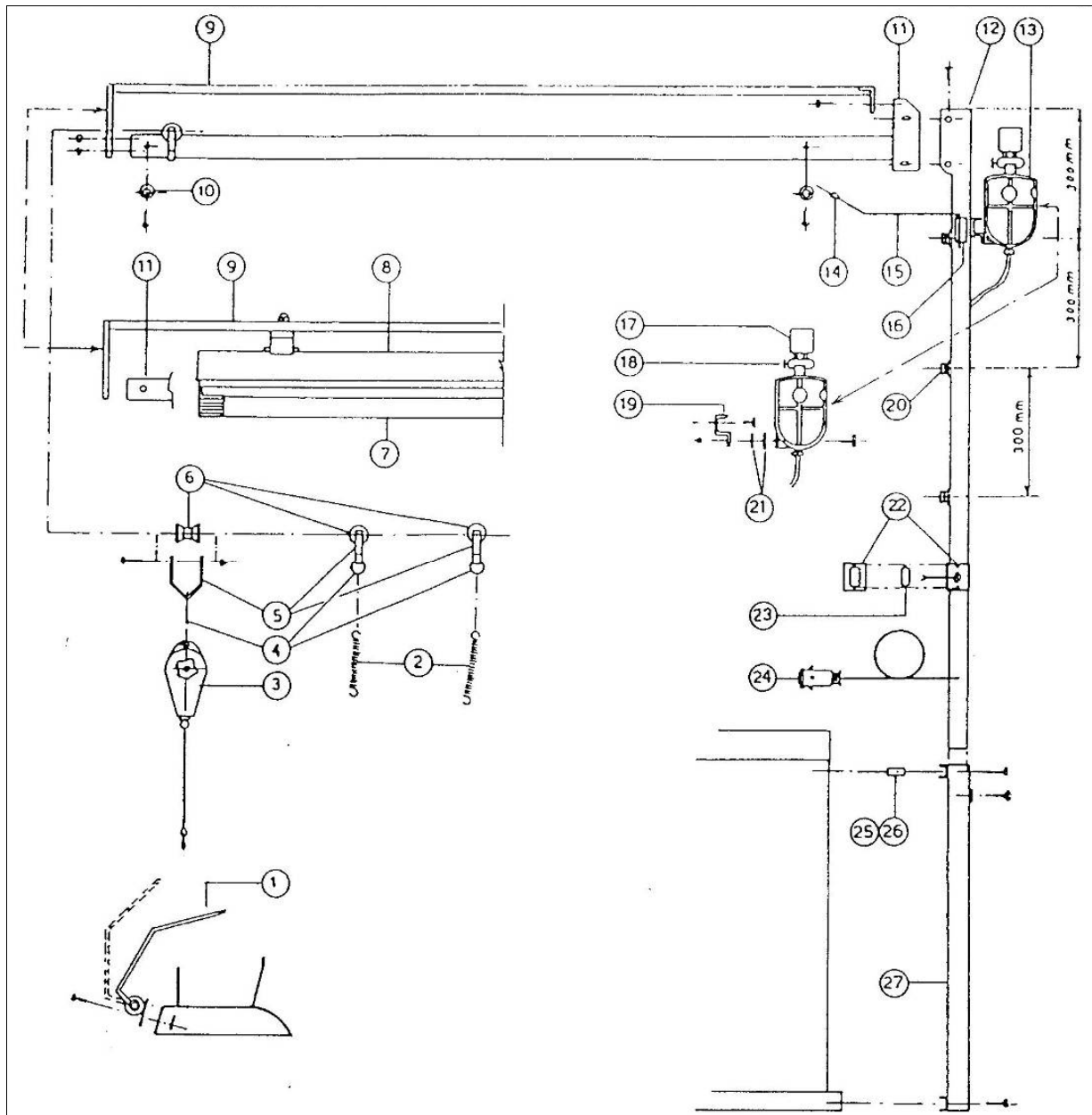
Pos.	ARTICLE	DESCRIPTION	Pos.	ARTICLE	DESCRIPTION
1	50A016	Screw M10 x 30 ASTM-A193-B7	3	212071	Heater V230/400 Kw19.5
2	244237	Gasket		212072	Heater V230/400 Kw21
3	212065	Heater V230/400 Kw6		212075	Heater V230/400 Kw27
	212066	Heater V230/400 Kw7.5		215165	Heater V230/400 Kw27 stainless steel
	212067	Heater V230/400 Kw9.3		215166	Heater V230/400 Kw21 stainless steel
	215164	Heater V230/400 Kw12		215167	Heater V230/400 Kw13.5 stainless steel
	212068	Heater V230/400 Kw10.5		215163	Heater V230/400 Kw30 stainless steel
	212069	Heater V230/400 Kw13.5		213424	Heater V230/400 Kw10 stainless steel
	212070	Heater V230/400 Kw16.5		215168	Heater V230/400 Kw16.5 stainless steel

(E-16) FLANGE FOR DOUBLE HEATERS Ø200



Pos.	ARTICLE	DESCRIPTION	Pos.	ARTICLE	DESCRIPTION
1	50A015	Screw M14 x 30 ASTM-A193-B7	5	213159	Heater V230 Kw2,7
2	24E002	Washer		215102	Heater V115 Kw3,3
3	183272	Flange for double heaters Ø200 ISPEL-certified		213149	Heater V230 Kw3,3
4	244338	Gasket		213150	Heater V400 Kw3,3
5	213145	Heater V230 Kw1,3		213151	Heater V230 Kw4
	212159	Heater V230 Kw2		213152	Heater V400 Kw4
	213147	Heater V230 Kw2,3		213153	Heater V230 Kw5
	213148	Heater V400 Kw2,3		213154	Heater V400 Kw5
				213155	Heater V230 Kw6

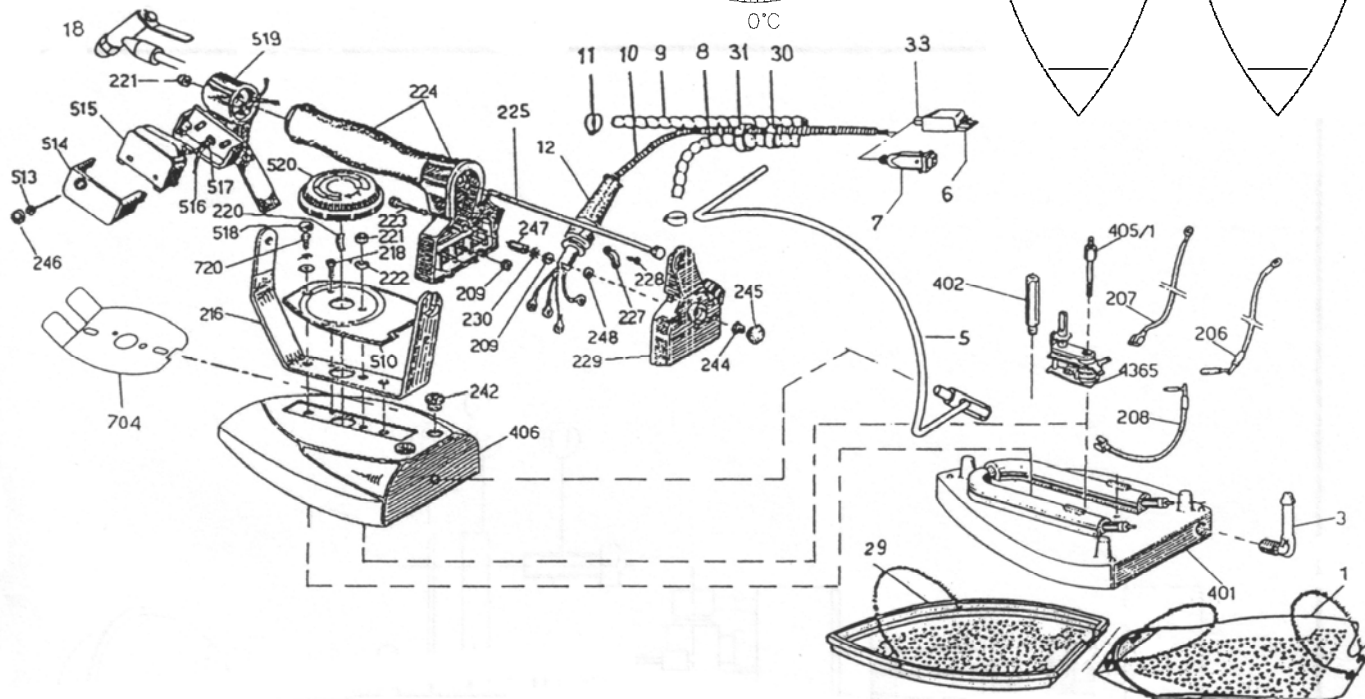
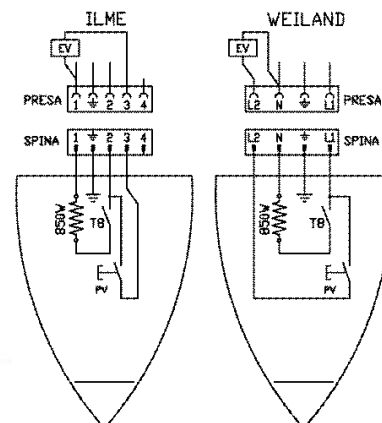
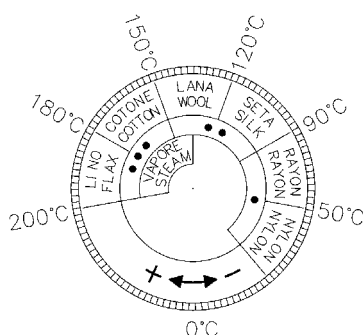
(E-29) IRON WITH HANGER AND LIGHTING RAIL



Pos.	ARTICLE	DESCRIPTION	Pos.	ARTICLE	DESCRIPTION
1	Z08M00	Iron support fitting	14	22K019	Push rod
2	534264	Spring	15	174520	Accessory holder
3	43A001	Balancer	16	174521	Bracket for accessory holder
4	51X010	Ring	17	39H011	Coil for steam iron solenoid valve
5	174022	Bracket	18	39B003	Steam iron solenoid valve
6	56B002	Complete wheel	19	175108	Supporting bracket for condensation separator
7	43C009	Lamp 36W - 230V	20	46R005	Cable holder
8	43C007	Complete upper light fixture	21	244244	Gasket 30x7x3
9	174084	Front lamp support	22	43K005	Switch box
10	22A002	Bumper foot	23	43A003	Switch
11	173304	Track L150	24	43H001	Plug
	173025	Track L178	25	174017	Spacer L35
12	173028	Upper column	26	174016	Spacer L43
13	202052	Condensation separator	27	173011	Bottom column

STEAM IRON TYPE "U"

TECHNICAL FEATURES	
Power supply	220V 50 Hz
Iron heater	0,830 Kw
Working temperature	+ 5 ÷ + 80 °C
Working humidity	90 % max.
Storing temperature	- 20 ÷ + 50 °C
Net weight	1,8 Kg



Pos.	ARTICLE	DESCRIPTION	Pos.	ARTICLE	DESCRIPTION
4365	45A005	Thermostat with thermofuse	224	222056	Handle
720	184453	Fixing screw for body	223	184457	Fixing screw for handle
704	253297	Hand protection plate	222	514057	Fixing nut for body
520	224217	Hand wheel	221	514056	Nut for handle rod
519	173236	Micro-switch support	220	534288	Hand wheel spring
518	22K038	Cap for body screw	218	184455	Fixing screw for body
517	224217	Sheathing	216	172057	Handle support
516	304284	Micro-switch wires	209	514055	Nut for terminal board
515	43D009	Micro-switch complete of wires and sheathing	208	304282	Electrical wiring for thermostat heater
514	43K007	Micro-switch case	207	304281	Electrical wiring for thermostat terminal board
513	184451	Micro-switch screw	206	304280	Electrical wiring for heater terminal board
510	264350	Plate	33	224255	Cable holder for plug
406	253255	Body	31	224260	Wire clamp
405/1	174020	Thermostat column	30	224215	Little spring
402	174019	Body column	29	Z23E01	Stiffened Teflon shoe
401	253254	Plate with heater	18	25A002	Nebulizer
248	184449	Isolating washers	12	224210	Cable holder
247	174018	Earth spacer	11	51X005	Clip
246	22K037	Micro-switch cap	10	Z23C00	Electrical wire
245	22K036	Nut cap	9	07A002	Silicone tube
244	514058	Nut for rear cover	8	07A001	Rubber tube
242	224245	Rubber cap for wire holder	7	43H009	Plug by Ilme
230	184448	Indented washer	6	43H002	Plug by Wieland
229	222133	Rear cover	5	174009	Jointed iron hanger
228	184450	U-bolt screw	3	364297	Cable hose
227	174353	Fixing U-bolt	1	Z23E00	Teflon shoe
225	183255	Handle rod			

6 MACHINE UNPACKING AND INSTALLATION

WARNING: The unit must be installed, opened and repaired by fully qualified technicians only.

6.1 UNPACKING

Find the most suitable place where to put the machine, then remove the packaging. Make sure that the machine has not been damaged during the transport and the storage.

The packaging material does not require any special precautions for its disposal, for it is not dangerous or polluting at all. Please refer to the local regulations for its disposal.

6.2 MACHINE INSTALLATION

The machine has not to be anchored to the floor, except for the installation on means of transport. For a correct use and operation, as well as for an easy maintenance, leave enough free space around the machine.

Do not place the machine in dangerous and/or explosive/inflammable places.

6.3 ELECTRICAL WIRING

The electrical wiring must be carried out as indicated on the drawing. Check that the supply voltage and the frequency correspond to those indicated on the rating plate.

The dimensions of the supply cable must suit the machine absorption and comply with the current regulations.

It is advisable to install a switch with fuses or a circuit breaker on the line. Put the cable in the cable holder, and then tighten. Connect the cable to the feeder line terminals on the control panel, as shown on the drawing of the present manual.

Check the rotation direction of the motors; if not correct, invert two of the three input phases with each other.

6.4 COMPRESSED AIR CONNECTION

Connect the machine to the central compressed air supply (G 1/4" Gas threading). Use a pipe having an internal Ø of at least 6 mm and with a network pressure of maximum 8 bar (otherwise mount a pressure reducer). Install an on-off valve allowing the disconnection from the supply.

The machine features a pressure reducer (check its setting at 3-4 bar), a filter, and a condensation separator (low-boy) with an discharge valve placed underneath the bucket. The valve discharges the condensation automatically in case of lack of pressure, please be reminded therefore to shut off the air supply at the end of your work. In case of high work pace, check periodically the condensation level in the filter bucket. If necessary, carry out the discharge manually, by opening the valve placed underneath the same.

6.5 WATER CONNECTION AND BOILER DISCHARGE (only for machines with built-in boiler)

Connect the water pipes to the hose fitting Ø12 of the machine. Install an on-off valve and a filter on the water inlet, which has to be closed each evening, in order to avoid any water sucks into the boiler. Connect the gate valve of the boiler discharge (featuring a G 3/8" Gas-threading) to the drainage system.

6.6 STEAM SUPPLY CONNECTION (only for machines without boiler)

- In case of a connection to a **small steam generator**, proceed as follows:

The steam intake of the machine features a G 3/8" threading for the connection to the steam generator. The steam network pressure must be of max. 6 bar.

It is advisable to install a pipe having an internal Ø of at least 8 mm. Install an on-off valve on the piping in order to exclude the machine from the steam generator. Connect the condensation return to the machine (with a G 3/8" threading), by using also in this case a pipe with an internal Ø of at least 8 mm. Install on this piping a check-valve and an on-off valve, in order to exclude the machine from the installation. Connect eventually to the small steam generator.

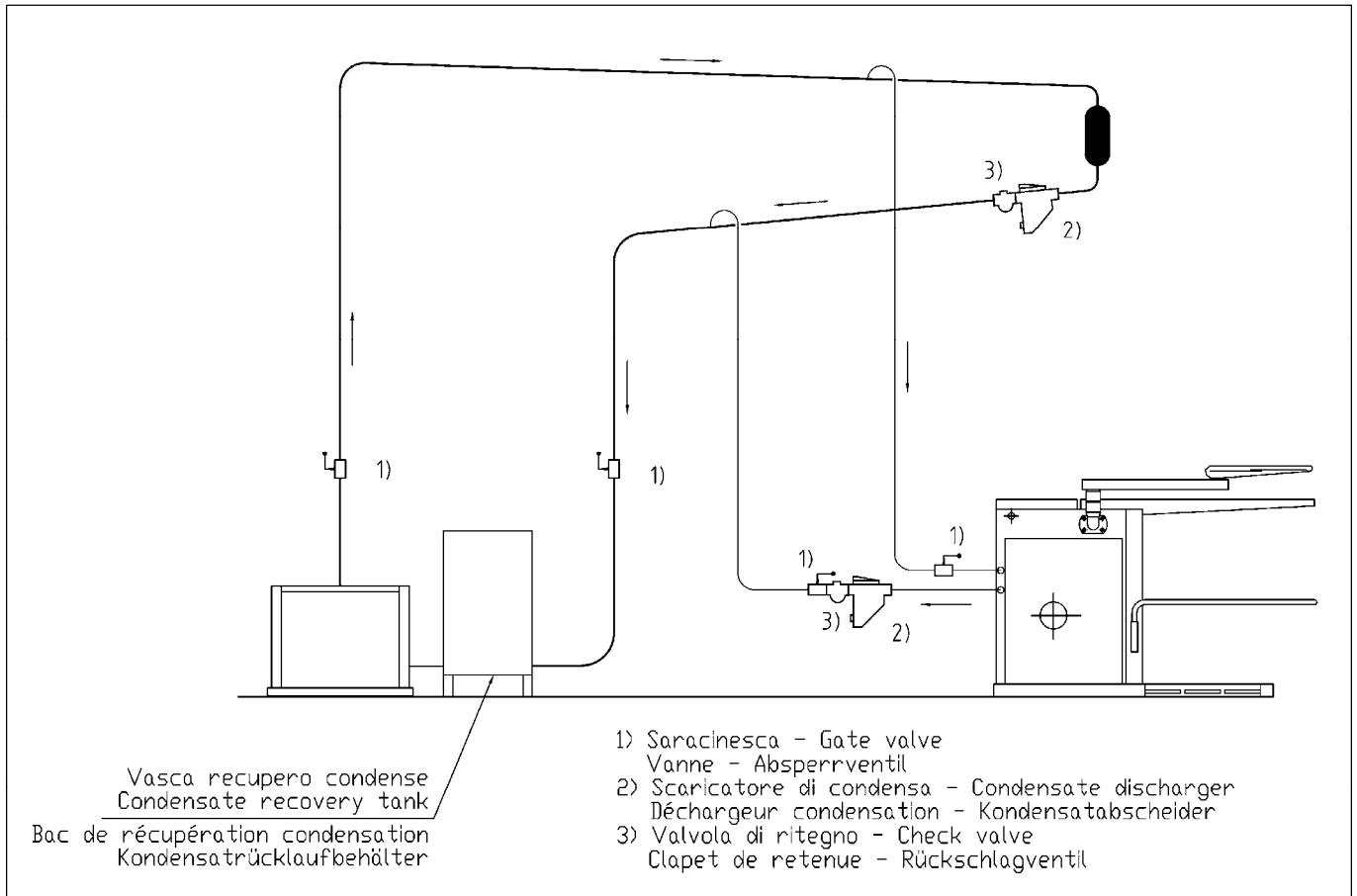
- Connect the machine to a **central steam supply** as follows:

Connect a pipe with a G 3/8" gas threading to the top part of the steam outlet of the central unit and place an on-off-valve close to the machine. Afterwards, connect a pipe with an internal diameter of at least 10 mm to the steam intake (having a G 3/8" threading), of the machine.

For the condensation return, provide a pipe with exactly the same features of the steam pipe, and install an on-off valve followed by a check valve close to the machine. For the connection to the check valve, use a pipe with an internal diameter of at least 10 mm. The steam network pressure must be of max. 6 bar.

Do not bend the pipes at right angles, but at least with a 50 mm radius. Make sure that the pipes have an even incline, especially the one for the condensation return.

Do not create traps; don't use fittings or gate valves with a smaller diameter than the pipe, itself. The piping must not exceed 2.5 meters. The hole of the condensation return has to be at least 150 mm higher than the water level inside the boiler.



WARNING: After having carried out all the connections, make sure that pipes and cables are protected against any possible hits and are suitably fixed and isolated.

7 INSTRUCTIONS FOR USE

7.1 PUTTING INTO OPERATION

- The whole unit can be used, opened and repaired by qualified technicians only.
- It is forbidden to use the machine if flooded by liquids or in particularly aggressive or explosive/inflammable places.
- Do not ignore the dangers for the operator's health and follow the hygienic and safety regulations.
- Make sure to use suitable pipes for the corresponding working pressures.
- Check if the electrical wiring is carried out correctly according to the current regulations, and that the fuse blocks are closed and complete of fuses.
- Verify if the control and safety devices of the boiler (pressure gauge, pressure switch, and safety valve) are intact.
- Make sure that the gate valve of the boiler exhaust is correctly closed.

7.2 PRELIMINARY STEPS TO CARRY OUT BEFORE EACH STARTING

- Check if the machine is intact.
- *Machines with boiler:*
 - Open the on-off valve of the water feeding.
 - Turn on the main switch of the machine.
 - Turn on the iron switch, which is also connected to the heater of the sleeve shape.
 - Adjust the iron temperature by turning the hand-wheel within the "steam" section.
 - Turn on the boiler switch.
 - The warning light of the water supply switches on automatically (the water starts running into the boiler).
 - Once the water has reached the required level (see also visual indicator) the relevant warning light switches off automatically, whereas the boiler heater and the relevant warning light turn on.
 - After a few minutes the boiler reaches the working pressure of 4.5 bar (check the pressure on the pressure gauge), the relevant warning light switches off automatically.
 - The generator is now ready to supply steam.

- **Machines without boiler:**
 - Check if the machine is connected to the central steam supply.
 - Open the gate valve of the steam and of the condensation return.
 - Turn on the main switch of the machine.
 - Turn on the iron switch which is also connected to the heater of the sleeve shape
 - Adjust the iron temperature by turning the hand-wheel within the “steam” section.
- Wait a few minutes until the machine has reached the required working temperature.
- Check, if the steam circuit is running regularly, by pressing and releasing several times the steam controls.
- Some condensation may come out at the beginning. Pressing the steam controls repeatedly will facilitate a quicker steam discharge.
- **Pay attention to the danger of burns during these operations.**
- If the machine is new or has not been used for a long time, it is advisable to carry out some ironing cycles without any garments.
- Press on the corresponding pedal to activate the air suction on the board.

7.3 USE OF THE STEAM IRON TYPE "U"

- Turn on the iron switch.
- Wait a few minutes before you start working, until the soleplate has reached the adjusted temperature.
- The temperature of the iron is adjusted by means of the hand-wheel according to the garments to be ironed.
- In case the temperature of the soleplate has to be kept very high, we advise to apply a Teflon® shoe in order to prevent burns of the garment.

WARNING: Connect the iron plug exclusively to the corresponding machine socket.

7.4 USE OF THE SLEEVE SHAPE

- By drawing the sleeve shape towards the ironing surface, the valve on the inside will open automatically. Push the pedal to activate the suction.

7.5 USE OF THE SPOTTING SHAPE

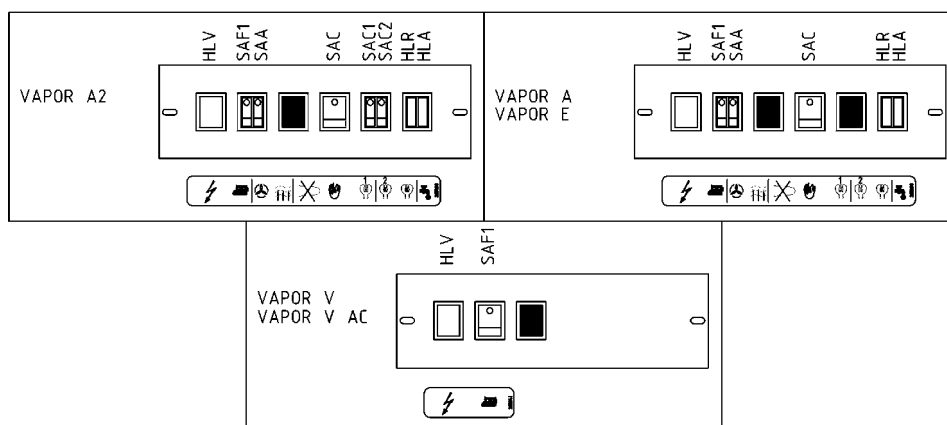
- The spotting shape is connected to the suction duct. The suction on the spotting shape is actuated by pulling the shape towards the operator. Use the corresponding pedal for its operation.

7.6 USE OF THE STEAM-AIR GUN

- Place the garment to be treated on the spotting shape, making sure that it lies exactly on the suction part.
- Press the steam button of the gun, by turning the condensation-jet first towards a small tank until only steam comes out.
- Draw the gun closer to the part to be treated, by pushing at the same time the suction and the steam pedal.
- Once the stain is dissolved, dry the treated part by pushing simultaneously the suction pedal and the air-button on the gun.

7.7 CONTROL PANEL

HLV	Warning light "Presence of voltage"	SAC	Boiler switch
SAC1	First boiler heater unit switch	SAC2	Second boiler heater unit switch
HLR	Boiler warning light	HLA	Water feeling warning light
SAF1	First iron switch		



8 TROUBLESHOOTING AND SOLVING

The following diagnostic table indicates the main irregularities which can occur, their probable causes and possible solutions

In case of doubts and/or of problems which can't be solved, do not attempt to disassemble parts of the machine for the troubleshooting, but contact our Technical Department or the Ghidini-reseller, instead.

DIAGNOSTIC TABLE		
PROBLEMS	POSSIBLE CAUSES	SOLUTIONS
The suction on the boards doesn't work	The micro switch of the pedal is faulty	<i>Replace the micro switch</i>
The boards do not heat up	Thermostat defect	<i>Replace the thermostat</i>
The machine doesn't turn on	Main switch not on	<i>Check the fuses and if the main switch is on.</i>
	Switch turned off	<i>Turn on the switch</i>
<i>Machines without boiler</i> No steaming	Steam intake cock closed	<i>Open the cock of the steam intake</i>
<i>Machines with boiler</i> The water warning light is turned on and the water pump keeps on running without stopping	No water is streaming into the boiler	<i>Check if the water cock is open</i>
		<i>Check the presence of pressure inside the water mains.</i>
		<i>Check if the water filter is obstructed.</i>
<i>Machines with boiler</i> The heater warning light is always switched on and the boiler doesn't reach the working pressure	Leak on the boiler exhaust.	<i>Check if the gate valve of the boiler discharge is well closed.</i>
	Burnt out heater or covered with scale.	<i>Check the heater condition.</i>

WARNING: if the safety valves is released, switch off the boiler immediately and contact a qualified technician. Do not block the exhaust and do not underestimate the problem, as there could be risk of explosion.

9 PRECAUTIONS

Read carefully the instructions and the risks related to the use of an ironing table. The operator has to know its working functions and must clearly understand its dangers with the help of the manual.

If the machine features a steam iron, do not leave it switched on for too long and put it always back on the relevant iron rest. The ironing boards and the soleplate of the iron remain hot for some minutes after their switching-off, please pay therefore attention to the risks of burns and do not put objects on the table until its complete cooling-down.

Main electrical supply

Prior to carrying out any inspection or service on the machine, it is necessary to disconnect it from the main electrical supply. Make sure, that nobody can reconnect it during the technical service.

Every installed electrical and electronic equipment or basic structure must be earthed.

Inflammability

Adopt all the necessary precautions to avoid any direct contact of the machine with hot materials or flames. Put fire extinguishers near the machine for an immediate intervention in event of fire.

Pressure / Steam

Prior to any intervention, switch off the boiler first, wait until all the pipes are cooled down and check that there are no residual pressures inside the boiler or in any branch of the hydraulic circuit, as they could cause steam spurts, in case of disassembly of fittings or other components.

Noise

The machine's noise level is not very high, as it remains under 70dB (A).

10 HAZARDOUS USE

The conformity verification according to the essential safety rules and to the provisions of the machine directive has already been carried out by filling out the specially provided checking lists, included in the technical file.

The checking lists are of two kinds:

- List of dangers (drawn from EN 1050 referring to EN 292)
- Application of the main safety features (Machine Directive– appendix. 1, part 1)

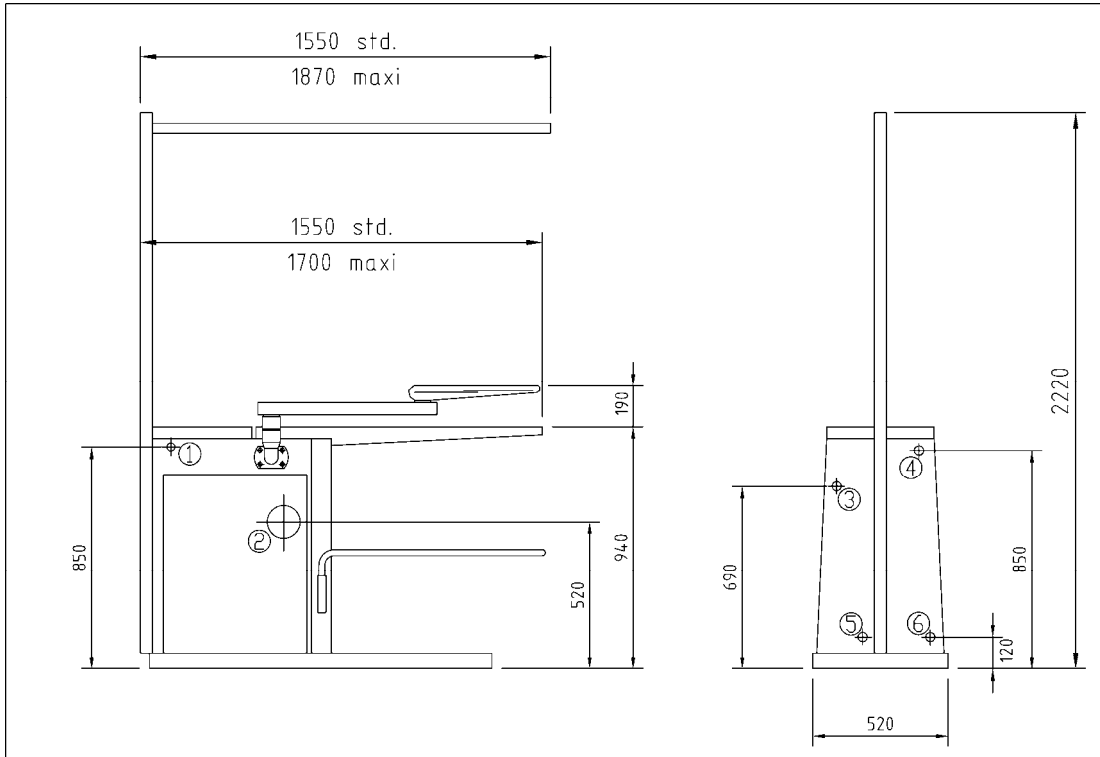
The dangers described in the following have not been completely removed, but they have been deemed to be acceptable:

- During the maintenance operation there could be some steam jets at low pressure, (maintenance operation must therefore be carried out by using suitable protection devices).
- The user must provide for a protection against direct and indirect contacts with the steam.

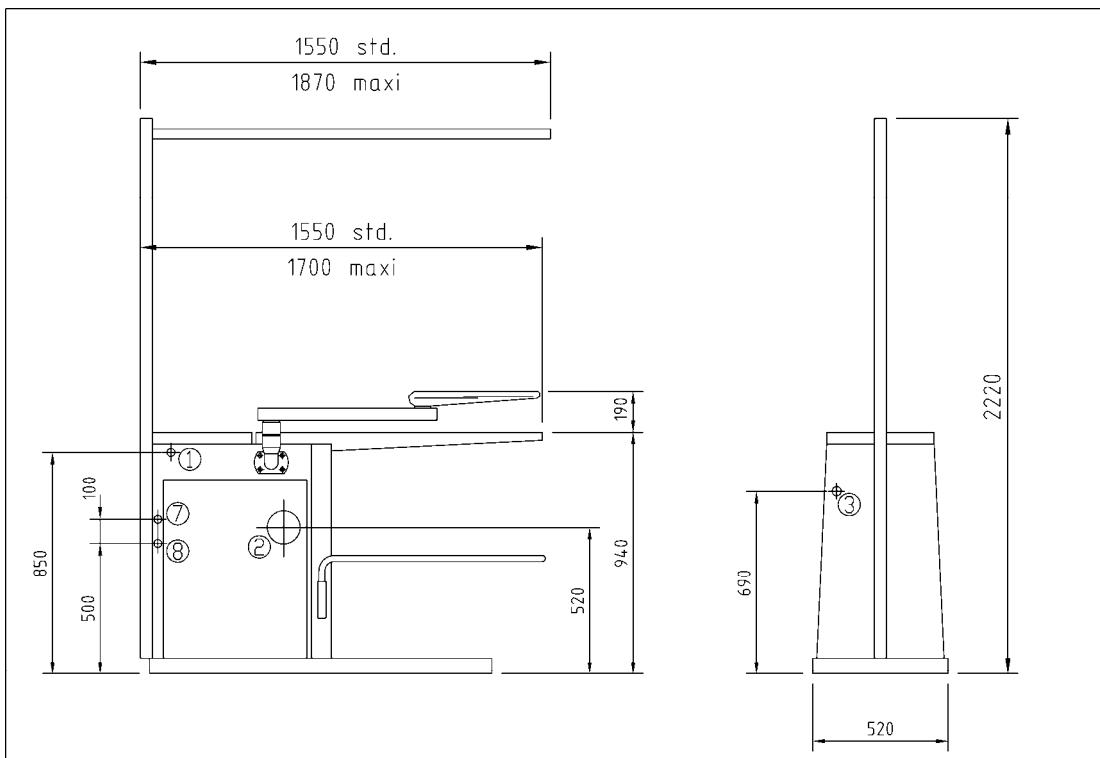
11 OVERALL DIMENSIONS AND DRAWINGS

1	Steam iron connection G 1/4"	6	Water intake Ø12
2	Sucked air discharge Ø90	7	Steam supply G 3/8"
3	Power supply PG21	8	Condensation return G 3/8"
4	Second iron connection G 1/4"	9	Central suction unit exhaust Ø60
5	Boiler discharge (E=G 3/8" A-A2=G 1/2")	10	Air supply G 1/4"

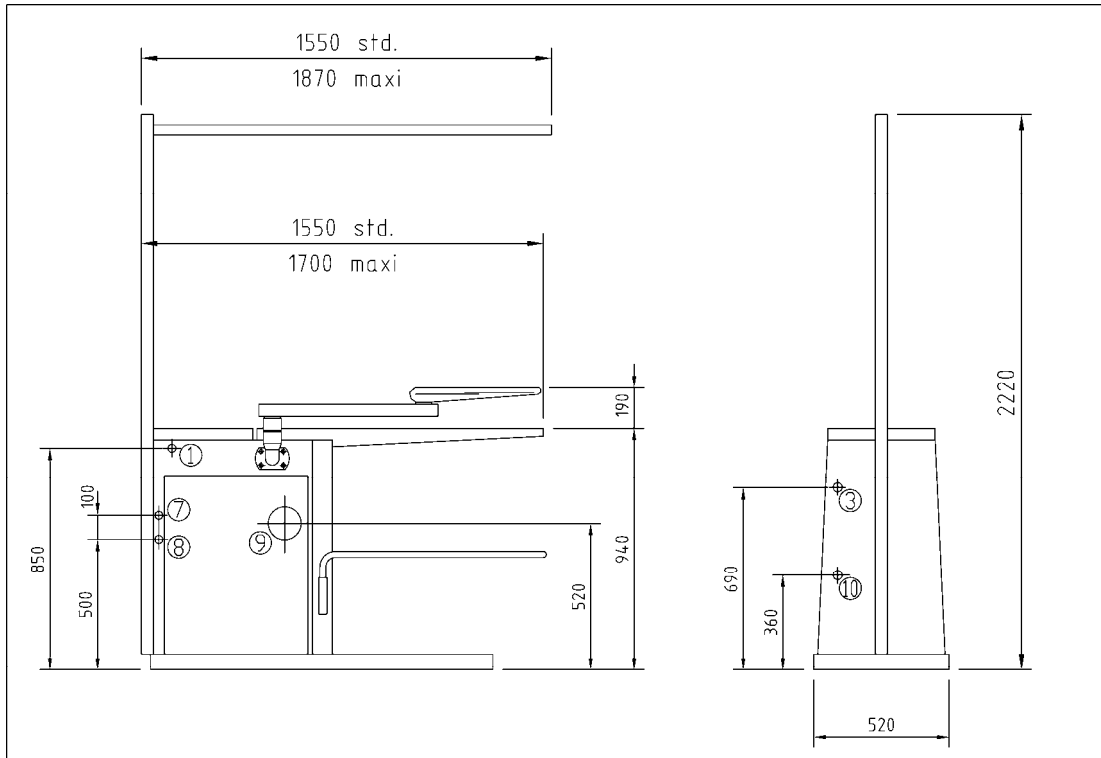
VAPOR E - A - A2



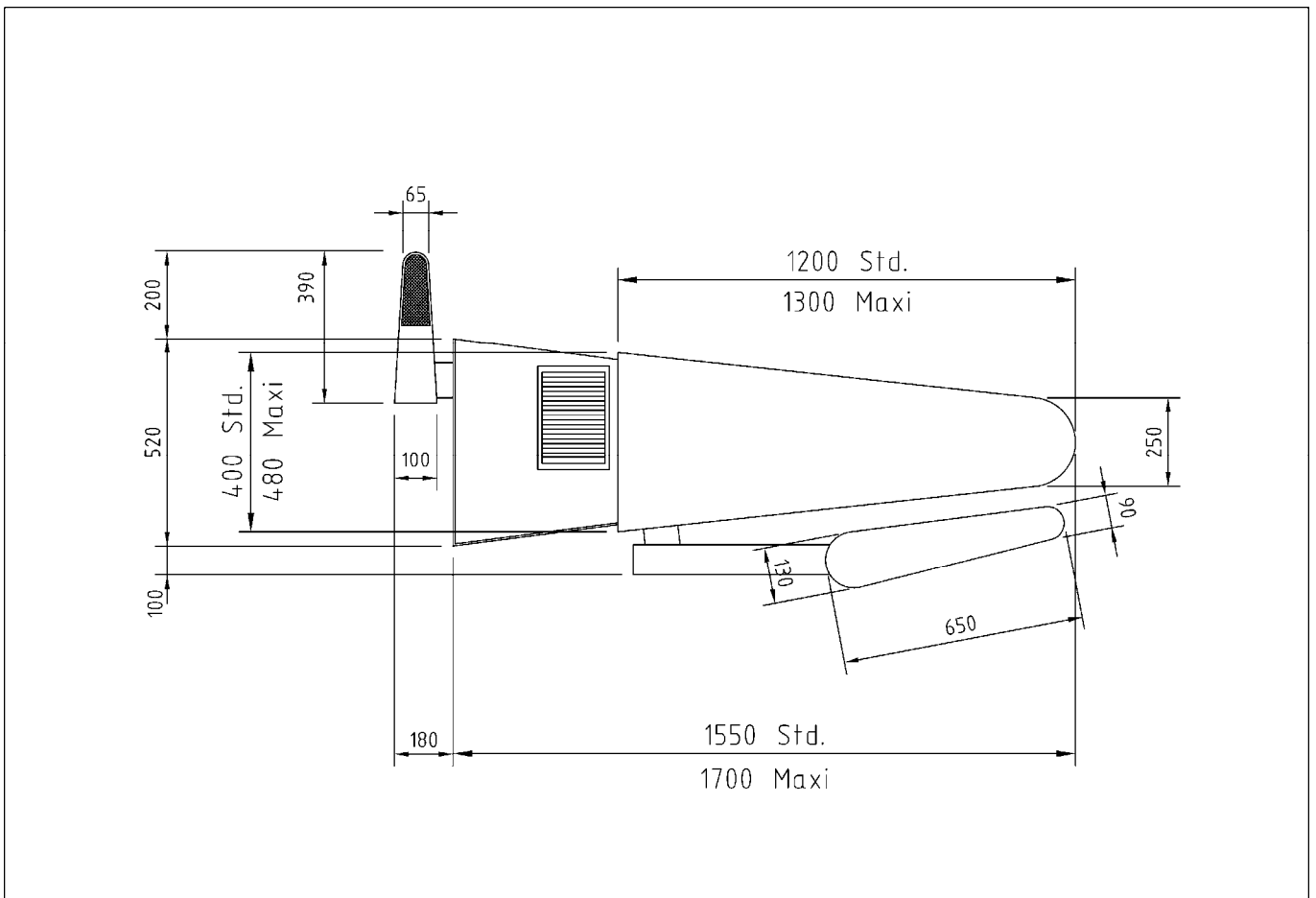
VAPOR V

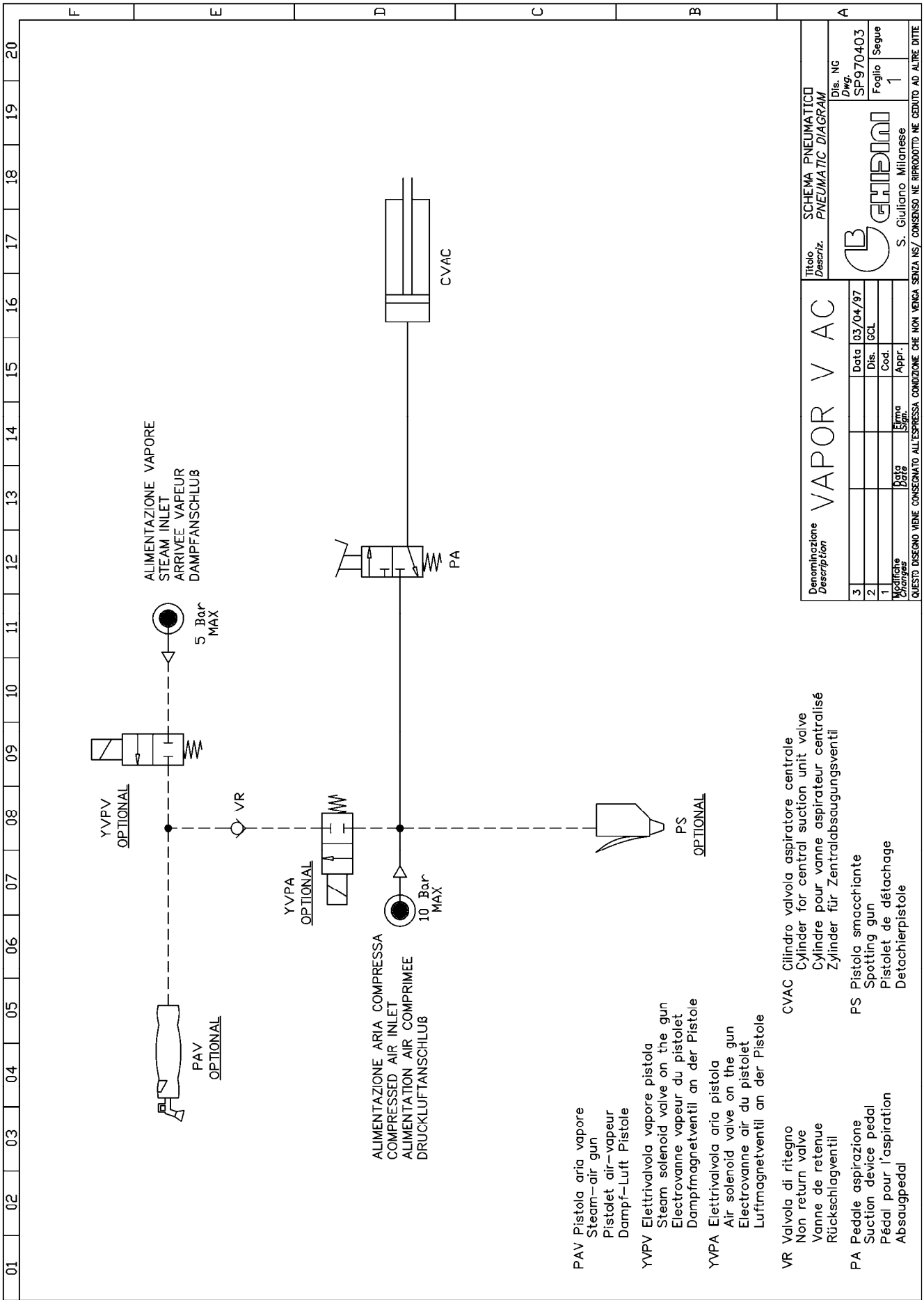


VAPOR VAC



BOARD





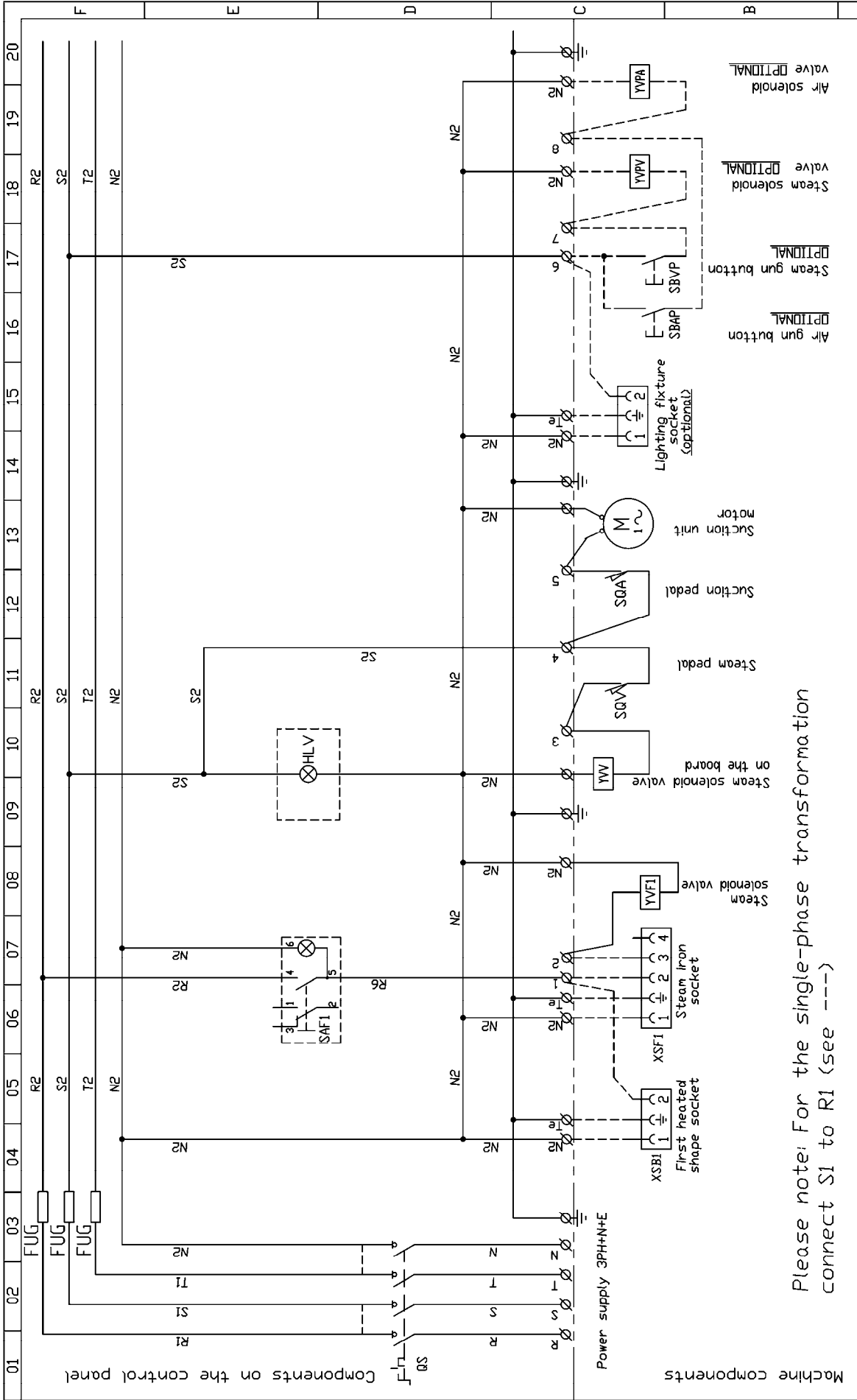
Denominazione Description		VAPOR V AC		TITOLO Descriz.		SCHEMA PNEUMATICO PNEUMATIC DIAGRAM	
3		Data	03/04/97	Dis. NG			
2		Dis.	BCL	Dwa.	SP970403		
1		Cod.		Foglio	1	Segue	
Modifiche		Data		Disegnato			
		Disegnato		Disegnato			
		Appr.					



S. Giuliano, Milano

QUESTO DISEGNO VIENE CONSEGNATO ALL'ESPRESSIONE CONDIZIONE CHE NON VENGA SENZA NS/ CONSENSO NE RIPRODOTTO NE CEDUTO AD ALTRE DITTE

- PAV Pistola aria vapore
Steam-air gun
Pistolet air-vapeur
Dampf-Luft Pistole
- YVPV Elettrivalvola vapore pistola
Steam solenoid valve on the gun
Electrovanne vapeur du pistolet
Dampfmagnetventil an der Pistole
- YVPA Elettrivalvola aria pistola
Air solenoid valve on the gun
Electrovanne air du pistolet
Luftmagnetventil an der Pistole
- VR Valvola di ritegno
Non return valve
Vanne de retenue
Rückschlagventil
- PA Pedale aspirazione
Suction device pedal
Pédal pour l'aspiration
Absaugpedal
- CVAC Cilindro valvola aspiratore centrale
Cylinder for central suction unit valve
Cylindre pour vanne aspirateur centralisé
Zylinder für Zentralabsaugungsventil
- PS Pistola smacchiate
Spotting gun
Pistolet de détachage
Detachierpistole



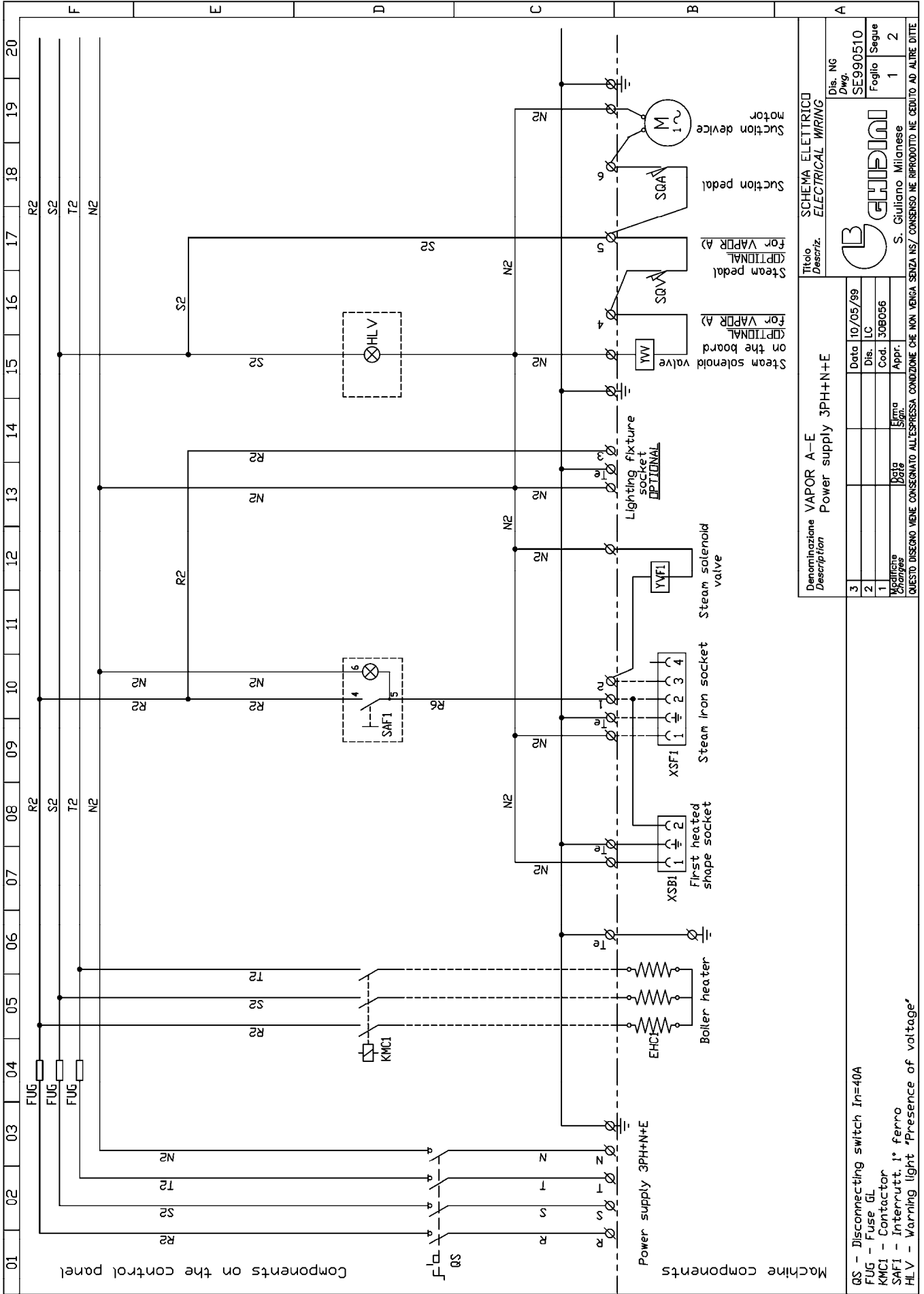
Please note: For the single-phase transformation connect S1 to R1 (see ---)

For the 220Vx3 transformation connect N2 to T1 (see ---)

Denominazione Description		VAPOR V - AC Power supply 3PH+N+E	
3	Data	12/05/99	
2	Dis. LC		
1	Cod.	30B058	
Modifiche Changes	Data Date	5/99	
QUESTO DISEGNO VIENE CONSEGNATO ALL'ESPRESSIONE CONDIZIONE CHE NON VENGA SENZA NS/ CONSENSO NE RIPRODOTTO NE CEDUTO AD ALTRE DITE			
Titolo Descriz.		SCHEMA ELETRICO ELECTRICAL WIRING	
Dis. NG		SE990512	
Foglio		Segue	
1		1	

- GS - Disconnecting switch In=40A
- FUG - Fuse 12A GL
- HLV - Warning light 'Presence of voltage'
- SAF1 - First iron switch

GIUPPINI
S. Giuliano Milanese



Denominazione
Description

VAPOR A-E
Power supply 3PH+N+E

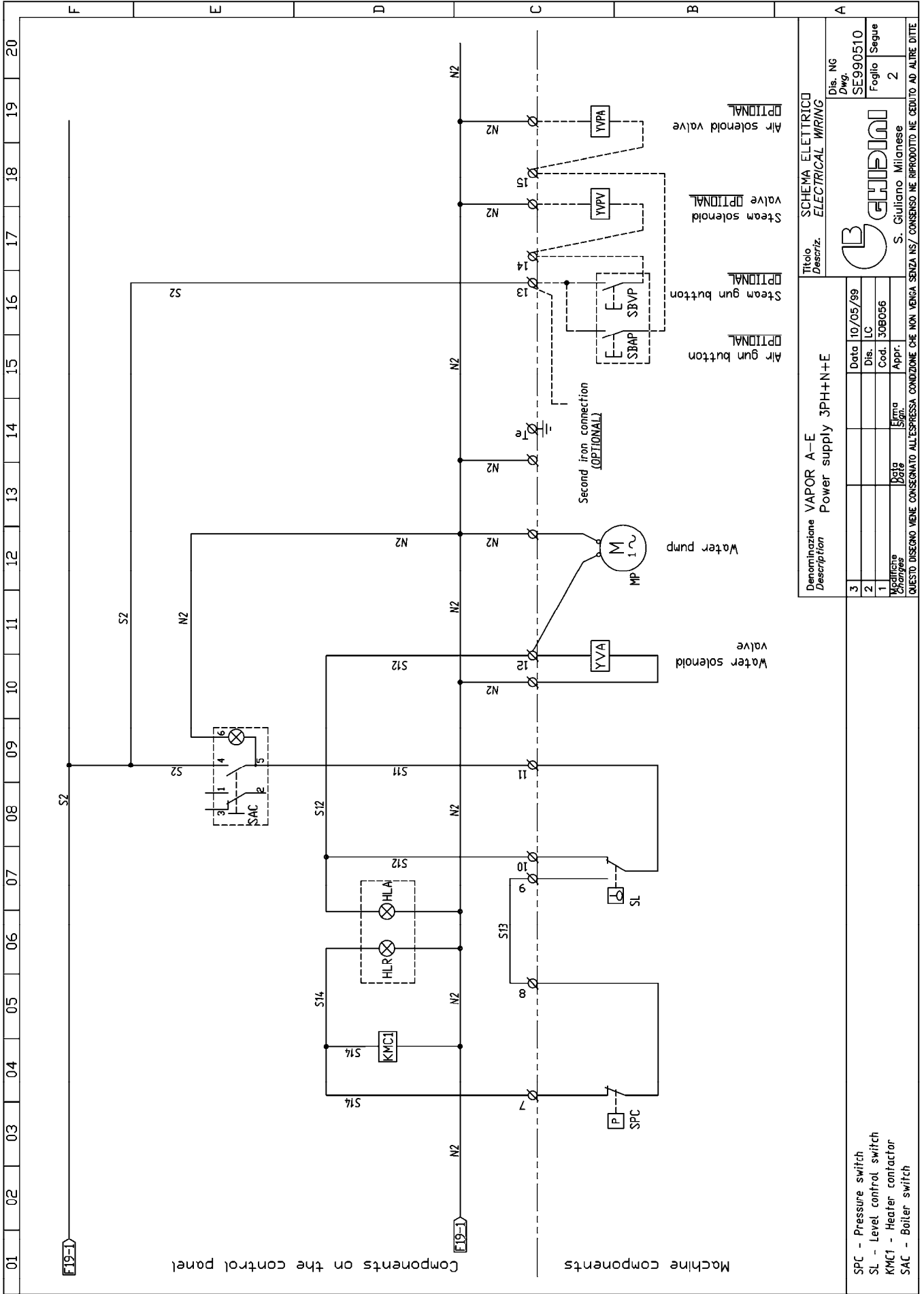
Titolo
Descrizz.

SCHEMA ELETRICO
ELECTRICAL WIRING

3	Data	10/05/99	Dis. NG	SE990510
2	Dis. LC		Foglio	1
1	Cod. 30B056		Segue	2
Modifiche Changes		Disegn. 5/99		
		Appr.		

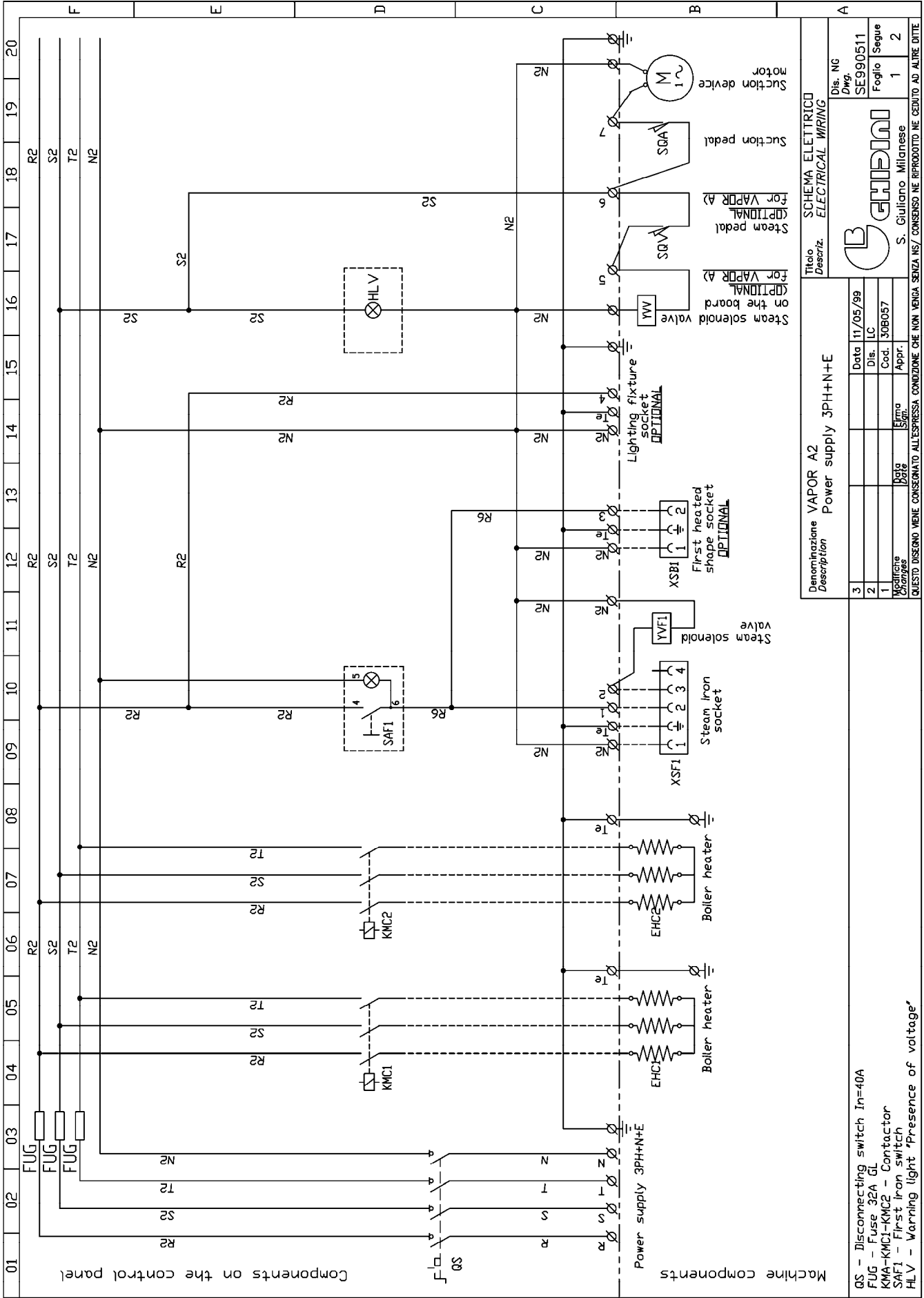
GS - Disconnecting switch In=40A
 FUG - Fuse GL
 KMCI - Contactor
 SAFI - Interrutt. 1° ferro
 HL.V - Warning light 'Presence of voltage'

GIUBINI
 S. Giuliano Milanese



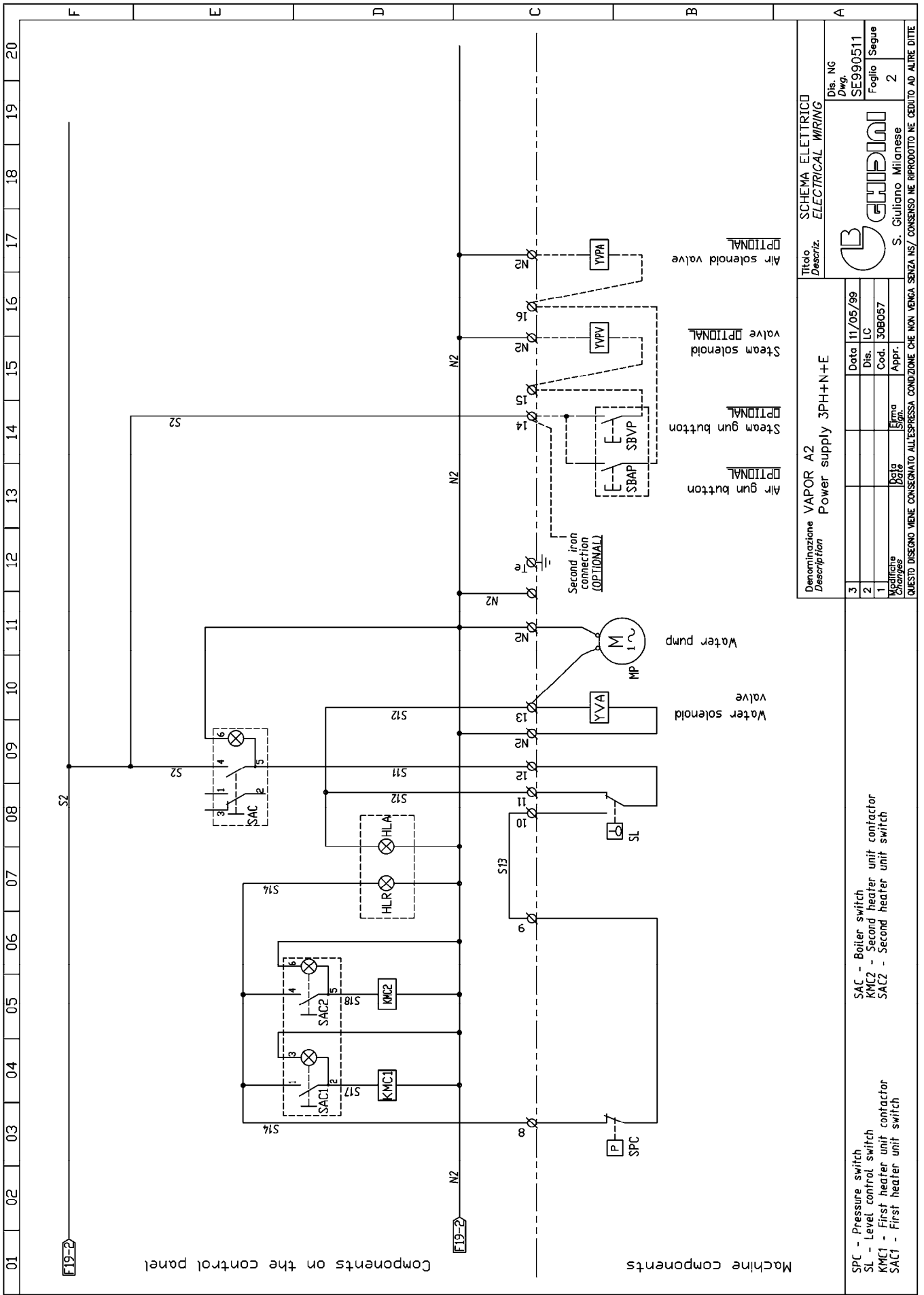
Denominazione Description		VAPOR A-E Power supply 3PH+N+E	
TITOLO Descriz.		SCHEMA ELETRICO ELECTRICAL WIRING	
3	Data	10/05/99	Dis. NG
2	Dis. LC		Dwg. SE990510
1	Cod. 30B056		Foglio Segue 2
Modifiche Changes	Data	5/99	Aut. S. Giuliano Milanese
Disegn.	Disegn.		
Verif.	Verif.		

QUESTO DISEGNO VIENE CONSEGNATO ALL'ESPRESSIONE CONDIZIONE CHE NON VENGA SENZA NS/ CONSENSO NE RIPRODOTTO NE CEDUTO AD ALTRE DITTE



Denominazione Description		VAPOR A2 Power supply 3PH+N+E	
Titolo Descriz.			
SCHEMA ELETRICO ELECTRICAL WIRING			
Dis. NG Dwg.		SE990511	
Foglio		Segue	
1		2	
S. Giuliano Milanese			
11/05/99			
Data		LC	
Dis.		308057	
Cod.		S. Giuliano	
Modifica		Date	
Changes		Sign.	
QUESTO DISERNO VIENE CONSEGNATO ALL'ESPRESSIONE CONDIZIONE CHE NON VENGA SENZA NS/ CONSENSO NE RIPRODOTTO NE CEDUTO AD ALTRE DITTE			

QS - Disconnecting switch In=40A
 FUG - Fuse 32A
 KMA-KMC1-KMC2 - Contactor
 SAF1 - First iron switch
 HLV - Warning light 'Presence of voltage'



Denominazione Description		VAPOR A2 Power supply 3PH+N+E	
TITOLO Descriz.		SCHEMA ELETRICO ELECTRICAL WIRING	
3	Data	11/05/99	Dis. NG
2	Dis. LC		Dwg. SE990511
1	Cod. LC	308057	Foglio Segue
1	Modifica	0/0/0	2
	Disegn.		
	Verif.		
	Appr.		

QUESTO DISEGNO VIENE CONSEGNATO ALL'ESPRESSIONE CONDIZIONE CHE NON VIENGA SENZA NS/ CONSENSO NE RIPRODOTTO NE CEDUTO AD ALTRE DITTE.

GUPIONI
S. Giuliano Milanese

12 MAINTENANCE PROCEDURES

In case of irregularities or malfunctioning, please contact the service technician for the relevant checks.

Periodically, it is necessary to carry out the following operations:

OPERATION	WORKING HOURS
Boiler discharge (*)	40
Cleaning of the water filter	1500
Cleaning of the boiler, and of the heating elements	2500
Cleaning of the condensation return filter	500

(*): Discharge the boiler once it has reached 1 bar of pressure, in order to remove any limescale or dirt deposits. When the machine is switched off, open slowly the gate valve of the boiler exhaust. We recommend to carry out this operation before you start working and not in the evening at the end of work, as the fresh water streaming into the boiler is rich in oxygen, increasing during the night the corrosion process inside the drum.

This machine does not require special equipment for check and/or maintenance operations. It is however advisable to use suitable tools and personal protections in compliance with the Italian law by decree 626/94, which have to be in good conditions (Presidential Decree 547/55), in order to avoid any damages to persons or machine components.

Make sure that the power supply is disconnected prior to any maintenance service and that the whole equipment has cooled down.

13 DISPOSAL

During the maintenance on the machine, or in case of its scrapping, please dispose carefully and correctly of any polluting components, according to the local regulations. In case of scrapping, the identification rating plate and any other document have to be destroyed.

14 HOW TO ORDER SPARE PARTS

Upon the spare parts request, please quote always:

Machine type, serial number, quantity of the requested spare parts, article number (these data can be read on the rating plate or supplied by the technical information of the machine and by the user's and maintenance manual).

For electrical components with a different voltage and frequency than V 220-380/50Hz (data available on the rating plate of the faulty component), specify the right voltage and frequency after having mentioned the article number.

The technical data, the descriptions and pictures included in this manual are not binding.

The manufacturer reserves the right to make any necessary modification without prior notice or having to up-date the present manual.

15 HANDLING AND TRANSPORT

Before its shipment, the machine is carefully packed in a carton box. During the shipment and storing of the machine, pay particular attention to the upside indication on the packaging. Upon receipt, please check that the packing is intact and store the machine in a dry place.

16 WARRANTY

All Ghidini products are guaranteed for a maximum period of 12 months from delivery date as far as material and construction defects are concerned.

The warranty is extended as follows:

In case of malfunction of the equipment, please contact your Ghidini reseller, specifying the noticed defect, type, serial number and furthermore the operating conditions of the machine. After having received the equipment or component and after an accurate analysis, Ghidini reserve the right, whether to repair or to replace the product. If the machine is still under guarantee, the Ghidini reseller will carry out the service or replacement at Ghidini's charge. In case the returned goods are not defective, Ghidini reserve the right to charge the customer with the met expenses (shipment, etc.). The present warranty will be declared void, if the machine has been damaged due to improper use, negligence, normal wear, chemical corrosion, installation not according to the provided instructions and to the manufacturer's warnings.

Any modification, tampering and alteration on the machine or its components, carried out without prior written authorization by Ghidini, relieve the latter of any responsibility and annuls any warranty obligation. The components subject to normal wear and the perishable ones are not under warranty, as well as everything which has not been previously explicitly indicated, or damages or expenses arising from defects of the same product.

The validity conditions of the guarantee provided by Ghidini are considered implicitly accepted upon purchase of the machine. Any possible changes to or derogations from the present guarantee are only valid prior written authorization by Ghidini.

17 CONFORMITY DECLARATION

Manufacturer:

GHIDINI
Company

Via Tolstoj, 24 – 20098 S. Giuliano Milanese (MI)
Address

+39 -02 -98.24.06.00
Phone number

Declares that

The machine:

Ironing table – VAPOR

- * has been designed in compliance with the DIRECTIVES OF THE EUROPEAN COMMUNITY COUNCIL referring to machines (98/37/EC) and to low voltage (LVD 73/23/EEC).
- * has been designed, as far as enforceable, in compliance with the following harmonized regulations and technical specifications:
EN 292-1/2, EN 1050, EN 982, EN 11200, EN 60947, EN 894-1/2.

Managing director

Roland Fleischmann

Product manager

Name

GHIDINI S.R.L.

Company



May 2008

Signature

Date



Web site: <http://www.ghidini-gb.it> - E-mail: sales@ghidini-gb.it