




ENGLISH



<i>Manufacturer</i>	GHIDINI BENVENUTO s.r.l.
<i>Product</i>	Ironing Table – GB-MV
<i>Year</i>	2008
<i>Certification</i>	

CONTENTS

1	INTRODUCTION	10	HAZARDOUS USE
2	GENERAL DESCRIPTION	11	DIMENSIONS AND TECHNICAL DRAWINGS
3	MACHINE IDENTIFICATION	12	MAINTENANCE PROCEDURES
4	TECNICAL FEATURES	13	DISPOSAL
5	MACHINE COMPONENTS	14	HOW TO ORDER SPARE PARTS
6	MACHINE UNPACKING AND INSTALLATION	15	HANDLING AND TRANSPORT
7	INSTRUCTIONS FOR USE	16	WARRANTY
8	TROUBLESHOOTING AND SOLVING	17	CONFORMITY DECLARATION
9	PRECAUTIONS		

1 INTRODUCTION

The present user's and maintenance manual refers to the ironing table "GB-MV".

It is possible to receive the latest release from our Technical Commercial Department or by visiting our website www.ghidini-gb.it. The present user's and maintenance manual contains important information for the operator's health safeguard and safety.

This manual has to be read and kept in a safe place, in order to be always at the operator's disposal in case of need. Ghidini s.r.l. cannot be held liable for any damage to things or injury to persons caused by improper use of the machine in contrast with these instructions.

Any possible modifications effected on the components of the machine or its different use without prior written authorization by Ghidini s.r.l., relieve the latter of injury to persons and/or damages to things, voiding any warranty bindings, as well.

2 GENERAL DESCRIPTION

The ironing table is available in two versions:

- GB-MV/A with built-in boiler featuring automatic water feeding and pressure control.
- GB-MV/V without boiler, to be connected to a steam source and centralized suction device.

The machine features a broad universal padded ironing board, electrically heated and equipped with a suction and blowing device, as well as a control panel to adjust the board temperature and to operate the different working units, a professional steam iron, and pressure control. It is also possible to install on request: a sleeve shape, a steam-air gun, a heated leg divider, a stainless steel spotting shape, and a top frame with cover (for version 180x90). Thanks to the operation controlled by pedal, the machine is very user-friendly and efficient. All versions can be obtained with timing of the various ironing cycles.

3 MACHINE IDENTIFICATION

On the side of the ironing board, a metal rating plate quotes the model, serial number, the year of construction and electrical and pressure supply.

4 TECNICAL FEATURES

	GB-MV	A	V
Power supply	230-400V – 3ph / 50 Hz		
Iron power supply (Kw)	0,83		
Suction device motor (Hp)	0,6		
Maximum steam pressure (bar)	4,5		
Sound intensity level (dB)	<70		
Operating temperature (°C)	+5 ÷ +80		
Operating humidity (%)	90 max.		
Storing temperature (°C)	-20 ÷ +50		
Net weight (Kg)	268 ÷ 354		
Gross weight (Kg)	368 ÷ 474		
Pump motor (Hp)	0,75		===
Boiler power supply (Kw)	4 ÷ 20		===

Kw	7	4 + 4*	10	6 + 6*	12	7 + 7*	15	8 + 8*	18	10 + 10*
Kcal/h	6023	6883	8604	10325	10325	12046	12906	13767	15488	17208
Kgh	9,5	11	13,5	16	16	18,5	20	21	24,5	26,5

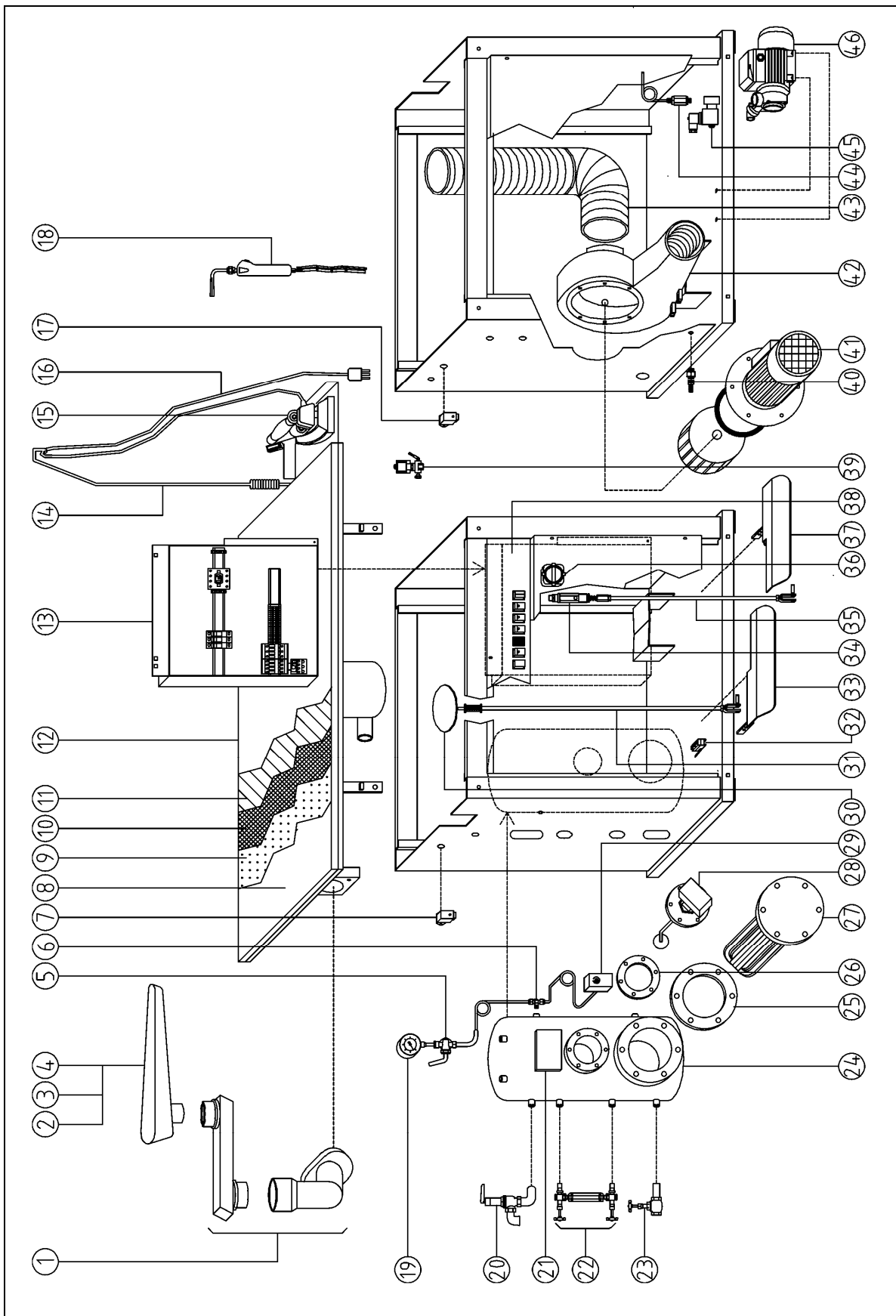
*Double power supply and ability to operate at reduced power.

WARNING: The machine must not be supplied with different voltages than those indicated on the table.

5 MACHINE COMPONENTS

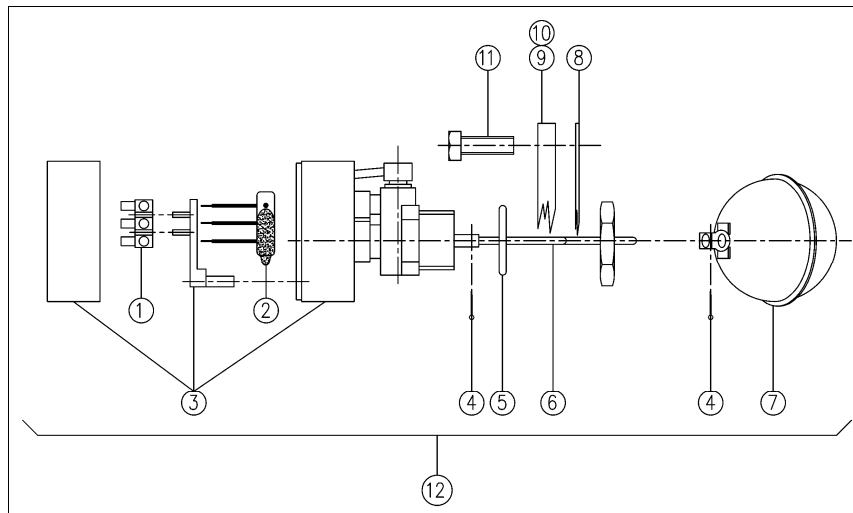
The machine features the following main components:

GB-MV



Pos.	CODE	DESCRIPTION	Pos.	CODE	DESCRIPTON
1	E-14	Swinging arm joint	23	37B001	Gate valve for boiler discharge
2	Z14A01	Sleeve shape	24	200075	Boiler drum PED
3	Z14C02	Spotting shape	25	E-04	Heater flange
4	Z14B01	Leg divider		E-16	Flange for double heaters
5	37E001	Tap G1/4" for pressure gauge	26	E-02	Automatic level control
6	36Q002	T-joint G1/4"	27	E-04	Heater flange
7	43G007	Iron grip		E-16	Flange for double heaters
8	190025	Ironing plate	28	E-02	Automatic level control
9	165162	Plate with holes	29	45G001	Pressure switch
10	274130	Padding and net 130x80	30	174328	Suction valve disk
	274111	Padding and net 160x80	31	184341	Suction rod
	275011	Padding and net 180x90	32	43D002	Suction micro-switch
	274193	Galvanized net 200x100	33	172147	Steam pedal
11	274171	Padded cloth for ironing board 200x100	34	383241	Steam valve with 2 holes
12	273205	Cover 130x80		383240	Steam valve with 1 hole
	273206	Cover 160x80	35	184339	Steam rod
	273207	Cover 180x90	36	43A038	Main power switch
	273208	Cover 200x100	37	172089	Suction pedal
13	163322	Lower panel	38		Control panel
14	534269	Iron cable support	39	39B003	Complete solenoid valve for steam gun
15	Z01L10	Iron mod. U	40	36E006	Hose fitting
16	Z23C00	Electrical cord	41	42A009	Suction motor
17	43G007	Iron grip	42	42H005	Suction fan
18	Z07A00	Steam gun	43	03D003	Tube Ø120
19	35A002	Pressure gauge	44	38W001	Check valve
20	38S004	Safety valve	45	39B002	Complete water solenoid valve
21	264378	ISPESL plate	46	42B009	Pump
22	E-03	Visual level indicator			

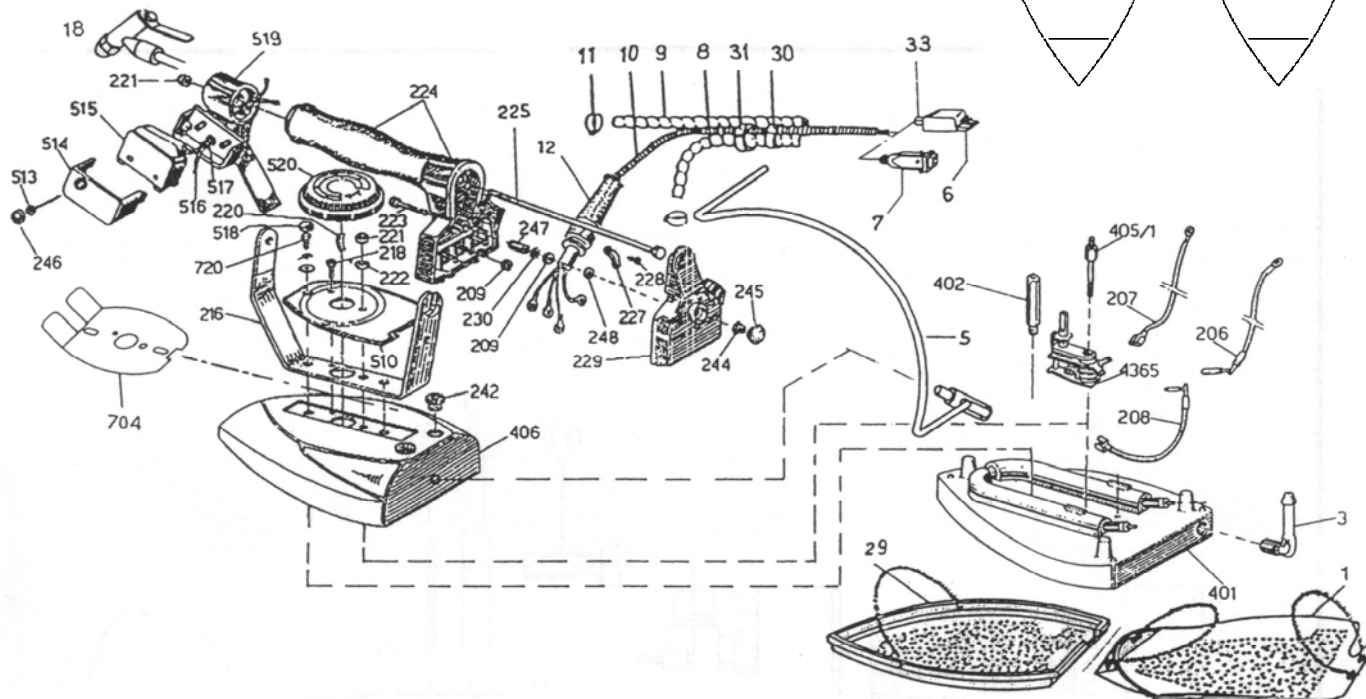
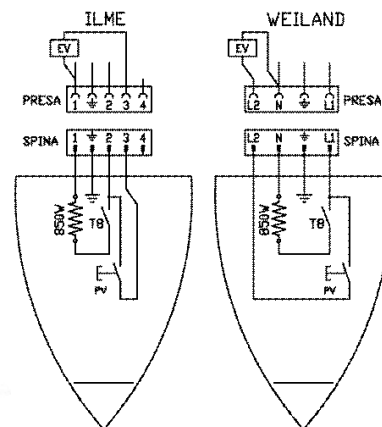
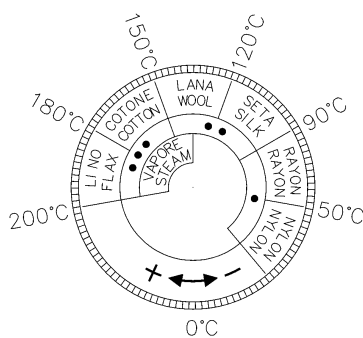
(E-02) AUTOMATIC LEVEL CONTROL



Pos.	CODICE	DESCRIZIONE	Pos.	CODICE	DESCRIZIONE
1	43J001	Terminal	7	49G001	Ball
2	49D013	Micro-switch	8	244236	Flange gasket
3	49G005	Complete box	9	183270	Flange Ø135
4	51P007	Split pin Ø2 x 20	10	183273	Flange Ø135 ISPESL-certified
5	24E003	Level gasket	11	50A016	Screw M10 x 30 ASTM-A193-B7
6	184318	Float supporting rod	12	49A002	Complete automatic level control

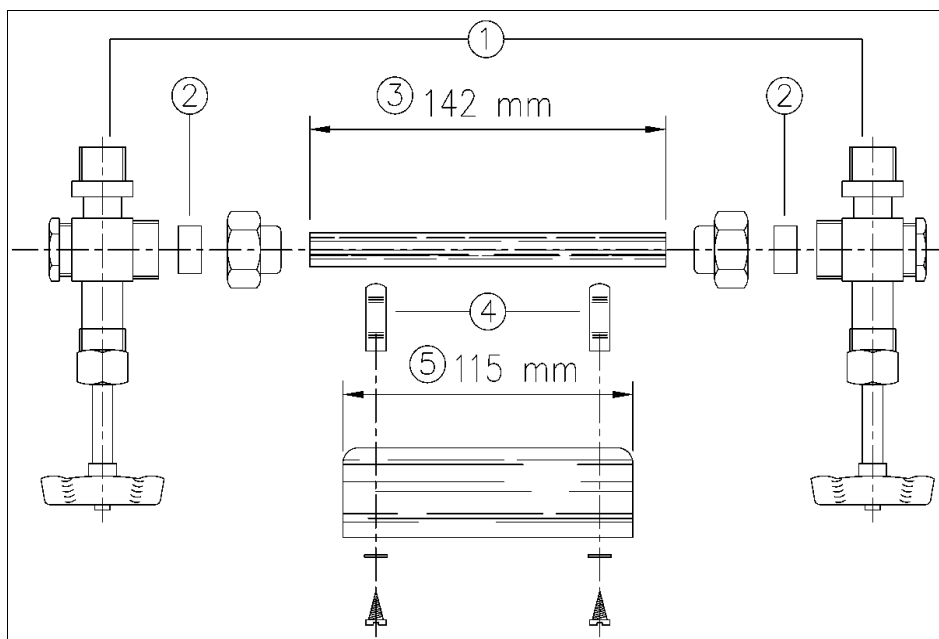
IRON TYPE "U"

TECHNICAL FEATURES	
Power supply	220V 50 Hz
Iron power supply	0,830 Kw
Operating temperature	+ 5 ÷ + 80 °C
Operating humidity	90 % max.
Storing temperature	- 20 ÷ + 50 °C
Net weight	1,8 Kg



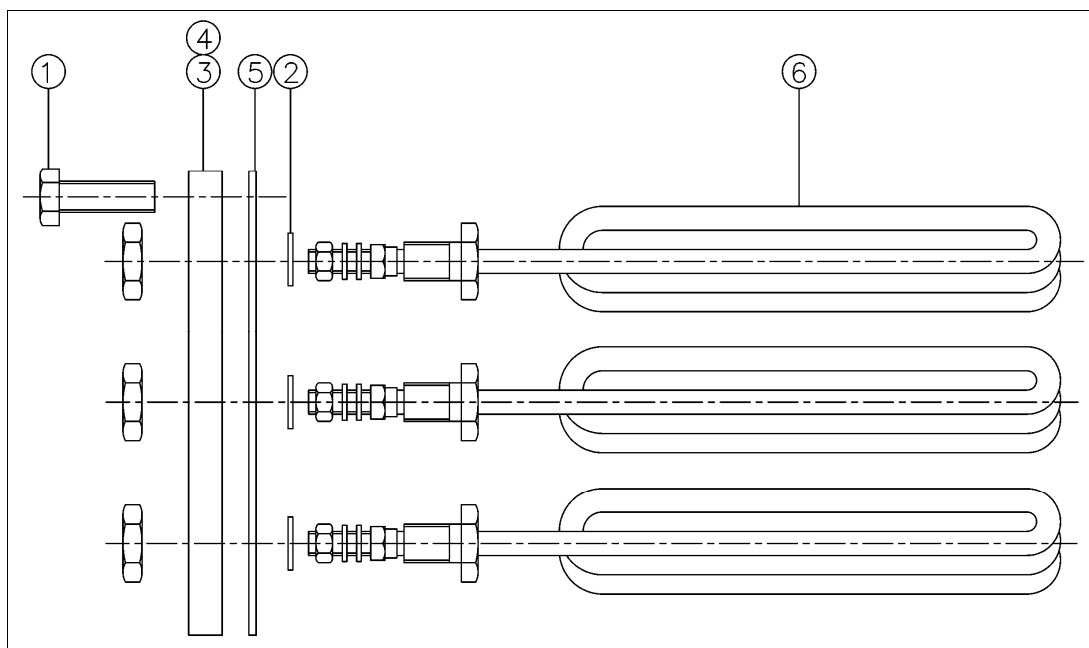
Pos.	CODE	DESCRIPTION	Pos.	CODE	DESCRIPTION
4365	45A005	Thermostat with thermofuse	224	222056	Handle
720	184453	Fixing screw for body	223	184457	Fixing screw for handle
704	253297	Hand protection plate	222	514057	Fixing nut for body
520	224217	Hand wheel	221	514056	Nut for handle rod
519	173236	Micro-switch support	220	534288	Hand wheel spring
518	22K038	Cap for body screw	218	184455	Fixing screw for body
517	224217	Sheathing	216	172057	Handle support
516	304284	Micro-switch wires	209	514055	Nut for terminal board
515	43D009	Micro-switch complete of wires and sheathing	208	304282	Electrical wiring for thermostat heater
514	43K007	Micro-switch case	207	304281	Electrical wiring for thermostat terminal board
513	184451	Micro-switch screw	206	304280	Electrical wiring for heater terminal board
510	264350	Plate	33	224255	Cable holder for plug
406	253255	Body	31	224260	Wire clamp
405/1	174020	Thermostat column	30	224215	Little spring
402	174019	Body column	29	Z23E01	Stiffened Teflon shoe
401	253254	Plate with heater	18	25A002	Nebulizer
248	184449	Isolating washers	12	224210	Cable holder
247	174018	Earth spacer	11	51X005	Clip
246	22K037	Micro-switch cap	10	Z23C00	Electrical wire
245	22K036	Nut cap	9	07A002	Silicone tube
244	514058	Nut for rear cover	8	07A001	Rubber tube
242	224245	Rubber cap for wire holder	7	43H009	Plug by Ilme
230	184448	Indented washer	6	43H002	Plug by Wieland
229	222133	Rear cover	5	174009	Jointed iron hanger
228	184450	U-bolt screw	3	364297	Cable hose
227	174353	Fixing U-bolt	1	Z23E00	Teflon shoe
225	183255	Handle rod			

(E-03) VISUAL LEVEL INDICATOR



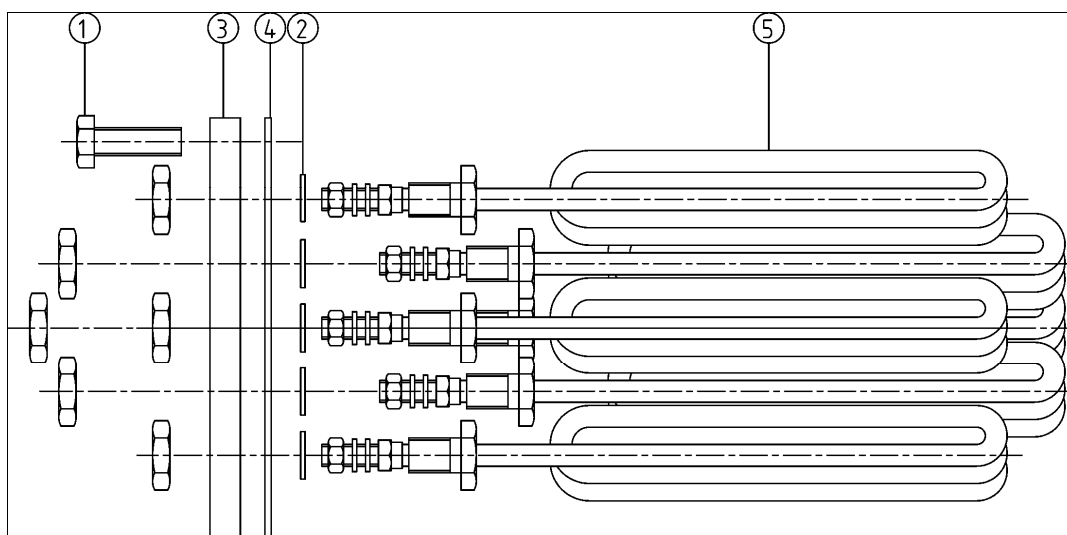
Pos.	CODICE	DESCRIZIONE	Pos.	CODICE	DESCRIZIONE
1	37C001	Two cocks	4	53A001	Clips for glass protection
2	244243	Gaskets	5	234218	Glass protection L.115
3	52G001	Glass L.142			

(E-04) HEATER FLANGE Ø200



Pos.	CODICE	DESCRIZIONE	Pos.	CODICE	DESCRIZIONE
1	50A015	Screw M14 x 30 ASTM-A193-B7	6	213159	Heater V230 Kw2,7
2	24E002	Washer		215102	Heater V115 Kw3,3
3	183271	Flange Ø200 ISPEL-certified		213149	Heater V230 Kw3,3
4	183268	Flange Ø200		213150	Heater V400 Kw3,3
5	244348	Gasket		213151	Heater V230 Kw4
6	213145	Heater V230 Kw1,3		213152	Heater V400 Kw4
	212159	Heater V230 Kw2		213153	Heater V230 Kw5
	213147	Heater V230 Kw2,3		213154	Heater V400 Kw5
	213148	Heater V400 Kw2,3		213155	Heater V230 Kw6

(E-16) FLANGE FOR DOUBLE HEATERS Ø200



Pos.	CODE	DESCRIPTION	Pos.	CODE	DESCRIPTION
1	50A015	Screw M14 x 30 ASTM-A193-B7	5	213159	Heater V230 Kw2,7
2	24E002	Washer		215102	Heater V115 Kw3,3
3	183272	Flange for double heaters Ø200 ISPESL-certified		213149	Heater V230 Kw3,3
4	244338	Gasket		213150	Heater V400 Kw3,3
5	213145	Heater V230 Kw1,3		213151	Heater V230 Kw4
	212159	Heater V230 Kw2		213152	Heater V400 Kw4
	213147	Heater V230 Kw2,3		213153	Heater V230 Kw5
	213148	Heater V400 Kw2,3		213154	Heater V400 Kw5
				213155	Heater V230 Kw6

6 MACHINE UNPACKING AND INSTALLATION

WARNING: The unit must be installed, opened and repaired by fully qualified technicians only.

6.1 UNPACKING

Find the most suitable place where to put the machine, then remove it from the packaging and check that it is intact. The packing materials do not require special disposal as they are not dangerous or polluting. Refer to the local rules in force to discard them.

6.2 MACHINE INSTALLATION

The machine does not need to be anchored to the floor. For correct use and operation, as well as for easy maintenance, leave a free space around the machine. Do not put the machine in dangerous or flammable places.

6.3 ELECTRICAL WIRING

Electrical connection must be carried out as indicated in the technical drawings. Check that the supply voltage corresponds to that indicated on the rating plate. The dimensions of the supply cable must suit the machine absorption and comply with the current regulations. It is advisable to install a switch with fuses or a circuit breaker on the line. Check the rotation direction of the motors; if not correct, invert two of the three input phases with each other.

6.4 COMPRESSED AIR CONNECTION (only for machines with board 200x100)

Connect the machine to the central compressed air supply (G 1/4" Gas threading). Use a pipe having an internal Ø of at least 6 mm and with a network pressure of maximum 8 bar (otherwise mount a pressure reducer). Install an on-off valve allowing the disconnection from the supply. The machine features a pressure reducer (check its setting at 3÷4 bar), a filter, and a condensation separator (low-boy) with a discharge valve placed underneath the bucket. The valve discharges the condensation automatically in case of lack of pressure. Please be reminded therefore to shut off the air supply at the end of your work. In case of high work pace, check periodically the condensation level in the filter bucket. If necessary, carry out the discharge manually, by opening the valve placed underneath the same.

6.5 WATER CONNECTION AND BOILER DISCHARGE (only for machines with built-in boiler)

Connect the water pipes to the hose fitting Ø12 of the machine. Install an on-off valve and a filter on the water inlet, which has to be closed each evening, in order to avoid any water sucks into the boiler. Connect the gate valve of the boiler discharge (featuring a G 3/8" Gas-threading) to the drainage system.

6.6 STEAM SUPPLY CONNECTION (only for machines without boiler)

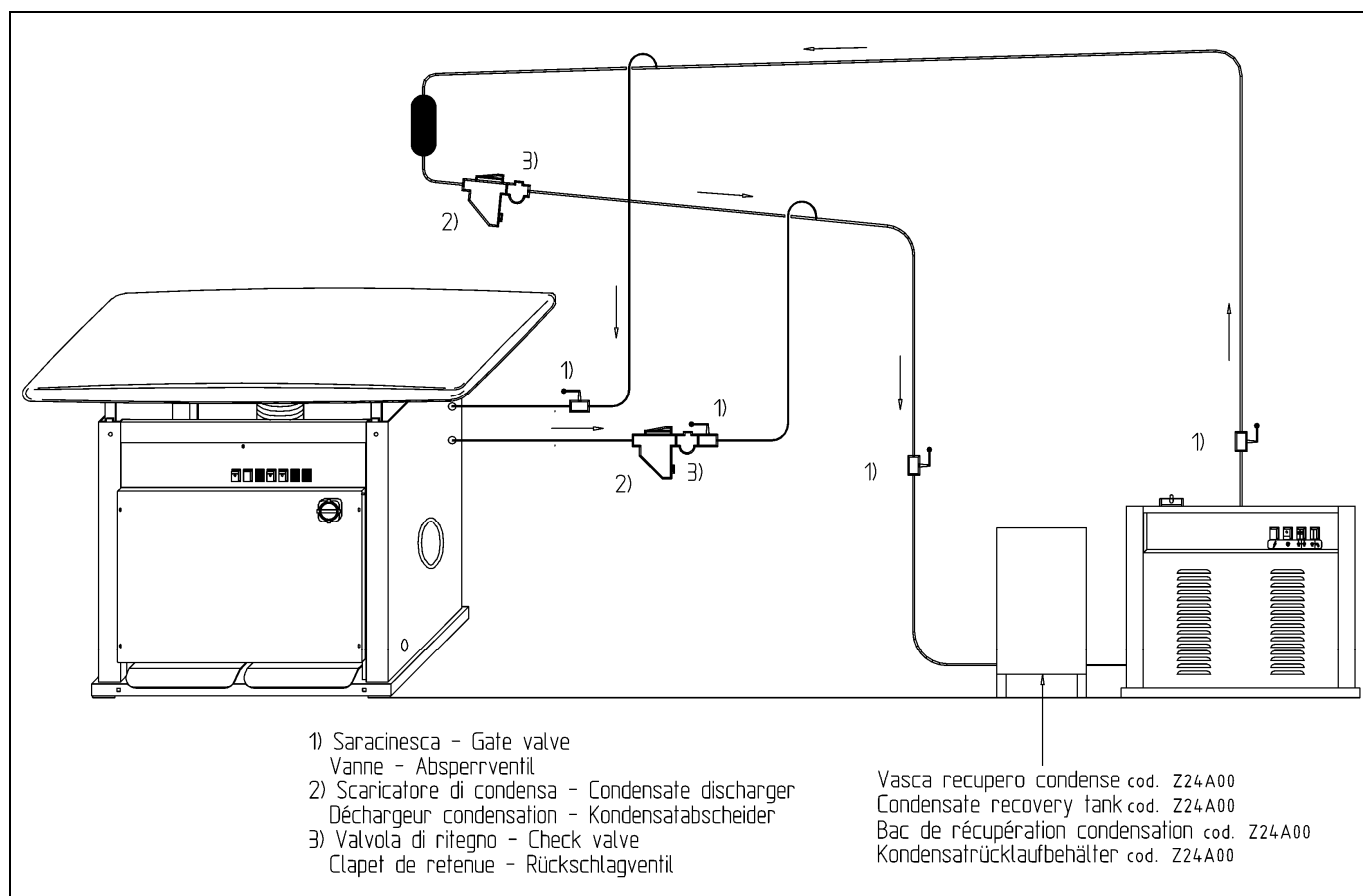
- In case of a connection to a small steam generator, proceed as follows:

The steam intake of the machine features a G 3/8" threading for the connection to the steam generator. The steam network pressure must be of max. 4,5 bar. It is advisable to install a pipe having an internal Ø of at least 8 mm. Install an on-off valve on the piping in order to exclude the machine from the steam generator. Connect the condensation return to the machine (with a G 3/8" threading), by using also in this case a pipe with an internal Ø of at least 8 mm. Install on this piping a check-valve and an on-off valve, in order to exclude the machine from the steam unit. Connect finally to the small steam generator.

- Connect the machine to a central steam supply as follows:

Connect a pipe with a G 3/8" gas threading to the top part of the steam outlet of the central unit and place an on-off-valve close to the machine. Afterwards, connect a pipe with an internal diameter of at least 10 mm to the steam intake (having a G 3/8" threading), of the machine. For the condensation return, provide a pipe with exactly the same features of the steam pipe, and install an on-off valve followed by a check valve close to the machine. For the connection to the check valve, use a pipe with an internal diameter of at least 10 mm. The steam network pressure must be of max. 4,5 bar.

Do not bend the pipes at right angles, but at least with a 50 mm radius. Make sure that the pipes have an even incline, especially the one for the condensation return. Do not create traps; don't use fittings or gate valves with a smaller diameter than the pipe itself. The piping must not exceed 2.5 meters. The hole of the condensation return has to be at least 150 mm higher than the water level inside the boiler.



WARNING: After having carried out all the connections, make sure that pipes and cables are protected against any possible hits and are suitably fixed and isolated.

7 INSTRUCTIONS FOR USE

7.1 PUTTING INTO OPERATION

- Installation and maintenance must be carried out by qualified technicians only.
- Do not use the machine plunged in fluids, or in dangerous or flammable places.
- Do not ignore the dangers to the operator's health and follow the hygienic and safety prescriptions.
- Always use piping suitable for operating pressures.
- Make sure that the electrical wiring is carried out correctly according to the current regulations, and that the fuse blocks are closed and complete of fuses.
- Check that the safety and control devices of the boiler (pressure gauge, pressure switch and safety valve) are intact.
- Make sure that the gate valve of the boiler exhaust is completely closed.

7.2 PRELIMINARY STEPS TO CARRY OUT BEFORE EACH STARTING

- Check if the machine is intact.
- *Machines with boiler:*
 - Open the on-off valve of the water feeding.
 - Turn on the main switch of the machine.
 - Turn on the iron switch, which is also connected to the heater of the sleeve shape.
 - Adjust the iron temperature by turning the hand-wheel within the "steam" section.
 - Turn on the boiler switch.
 - The warning light of the water supply switches on automatically (the water starts running into the boiler).
 - Once the water has reached the required level (see also visual indicator) the relevant warning light switches off automatically, whereas the boiler heater and the relevant warning light turn on.
 - After a few minutes the boiler reaches the working pressure of 4.5 bar (check the pressure on the pressure gauge), the relevant warning light switches off automatically.
 - The generator is now ready to supply steam.
- *Machines without boiler:*
 - Check if the machine is connected to the central steam supply.
 - Open the gate valve of the steam and of the condensation return.
 - Turn on the main switch of the machine.
 - Turn on the iron switch (which is also connected to the heater of the sleeve shape)
 - Adjust the iron temperature by turning the hand-wheel within the "steam" section.
- Wait a few minutes until the machine has reached the required working temperature.
- Check if the steam circuit is running regularly, by pressing and releasing several times the steam controls.
- Some condensation may come out at the beginning. Pressing the steam controls repeatedly will facilitate a quicker steam discharge. **Pay attention to the danger of burns during these operations.**
- If the machine is new or has not been used for a long time, it is advisable to carry out some ironing cycles without any garments.

7.3 USE OF THE VACUUM/STEAM TABLE

- In the working position, make sure that the mounted shape is turned away from the ironing surface.
- Place the garment on the table and push the steam pedal, determining the amount of steam that is released by the ironing board.
- Proceed to drying by pushing the vacuum pedal. To speed up the process you can use the iron without steam or with the padded sleeve shape.

7.4 USE OF THE STEAM IRON TYPE "U"

- Turn on the iron switch placed on the machine.
- Wait a few minutes before you start working, until the soleplate has reached the adjusted temperature.
- The temperature of the iron is adjusted by means of the hand-wheel according to the garments to be ironed.
- In case the temperature of the soleplate has to be kept very high, we suggest applying a Teflon® shoe in order to prevent burning of the garment.

N.B.: Connect the iron plug to the corresponding machine sockets only.

7.5 USE OF THE ARM

- In the working position, the valve contained in the arm opens automatically. Use the pedals to activate the suction or blowing.

7.6 USE OF THE SPOTTING DEVICE

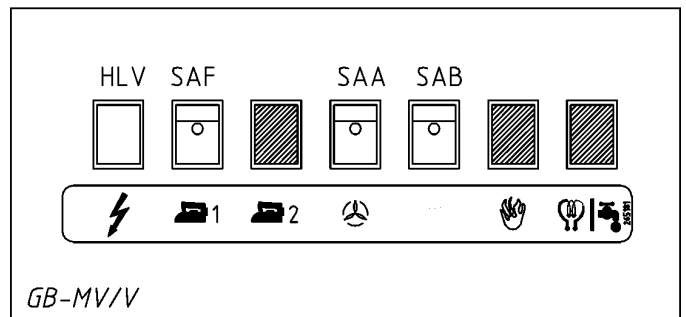
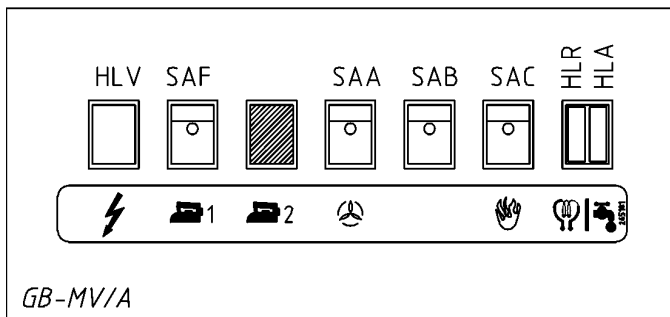
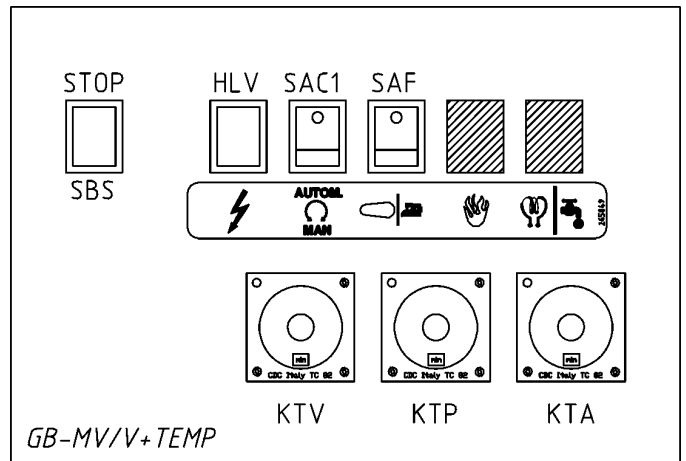
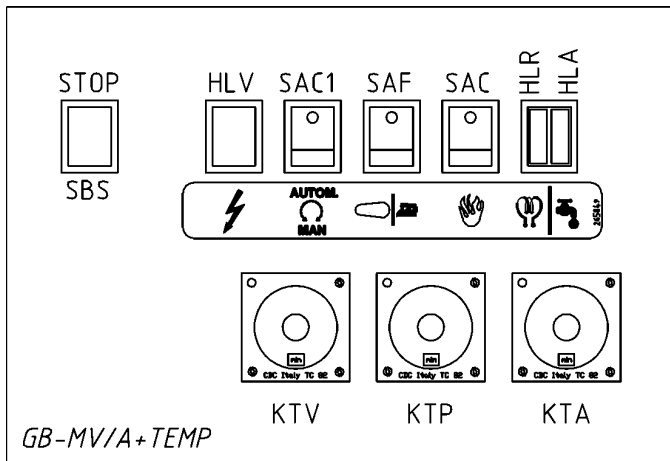
- The spotting device is connected to the vacuum duct and the suction is activated by rotating it outward toward the operator. Use the pedal to activate the suction.

7.7 USE OF THE SPOTTING DEVICE “STEAM-AIR GUN”

- Place the garment to be treated onto the spotting shape, making sure that it lies exactly on the vacuum part.
- Press the steam button on the gun, by turning the condensation-jet first towards a tank until only steam comes out.
- Draw the gun up to 1 cm near the part to be treated, by simultaneously pushing both the vacuum and the steam pedal.
- Once the stain is dissolved, dry the treated part by simultaneously pushing both the vacuum pedal and the air button on the gun.

7.8 CONTROL PANEL

SBS	Stop button	HLA	Water supply warning light
HLV	Warning light “Presence of voltage”	KTV	Steam timer
SAC1	First heater unit switch	KTP	Humidification timer
SAF	Iron switch	KTA	Air timer
SAC	Boiler switch	SAA	Suction/blower switch
HLR	Boiler warning light	SAB	Heated shape switch



8 TROUBLESHOOTING AND SOLVING

The following table shows the main problems and the corresponding causes and solutions. In case of doubts or unresolved problems, do not look for the trouble by removing pieces of the machine, but rather contact the Technical Office or seller of Ghidini products.

PROBLEMS AND SOLUTIONS		
PROBLEMS	POSSIBLE CAUSES	SOLUTIONS
The vacuum option on the boards doesn't work.	The micro switch of the pedal is faulty.	<i>Replace the micro switch. Check SAA switch.</i>
The board doesn't steam up.	Broken thermostat.	<i>Replace the thermostat.</i>
The machine doesn't turn on.	Main switch turned off.	<i>Make sure that the main switch is turned on, check the fuses.</i>
	Switch turned off.	<i>Turn the switch on.</i>
<i>Machines without built-in boiler.</i> Lack of steam discharged.	Steam inlet closed.	<i>Open the steam inlet.</i>
<i>Machines with built-in boiler.</i> Water warning light remains on and pump continues to operate water without stopping.	Water doesn't flow into boiler.	<i>Make sure that the water intake is open..</i>
		<i>Make sure that there is pressure in water mains.</i>
		<i>Make sure that the water filter isn't obstructed.</i>
<i>Machines with built-in boiler.</i> Power warning light remains on and boiler doesn't reach required pressure.	Leakage from boiler exhaust.	<i>Make sure that the boiler exhaust gate valve is closed.</i>
	Heater burnt out or covered in limescale.	<i>Check heater status.</i>

WARNING: *If the safety valve is released, immediately turn off the boiler and consult a qualified technician. Do not cover vent and do not underestimate the problem, there is a risk of explosion.*

9 PRECAUTIONS

Read carefully the instructions and the risks related to the use of an ironing board. Operators must know operating system and clearly understand its dangers through the manual. If the machine features a steam iron, do not leave it switched on for too long and always put it back on the relevant iron rest. The ironing boards and the soleplate of the iron remain hot for some minutes after their switching-off, therefore please pay attention to the risks of burns and do not put objects on the table until it has cooled down completely.

Main electrical supply

Prior to carrying out any inspection or work on the machine, disconnect it from the main electrical supply and make sure that nobody can connect it again during the technical operations. All the electrical or electronic machines or basic structures installed must be connected to the ground line.

Flammability

Adopt all the necessary precautions to avoid any direct contact with hot materials or flames. Put fire extinguishers near the machine for an immediate intervention in the event of fire.

Pressure / Steam

Before each intervention switch off the boiler and check that residual pressures are not inside any branch of the hydraulic circuit. They could cause steam sprays in the case of disassembling of pipes or components.

Noise

The noise emission is not excessive, because it remains under 70dB(A).

10 HAZARDOUS USE

The verification of conformity to the essential safety rules and to the dispositions enclosed in the machine directive is carried out by filling in the checking lists arranged in advance and included in the technical file.

The checking lists are of two kinds:

- List of dangers (extract from EN 1050 referring to EN 292.
- Application of the essential safety characteristics (Dir. Machine – encl. 1, part 1)

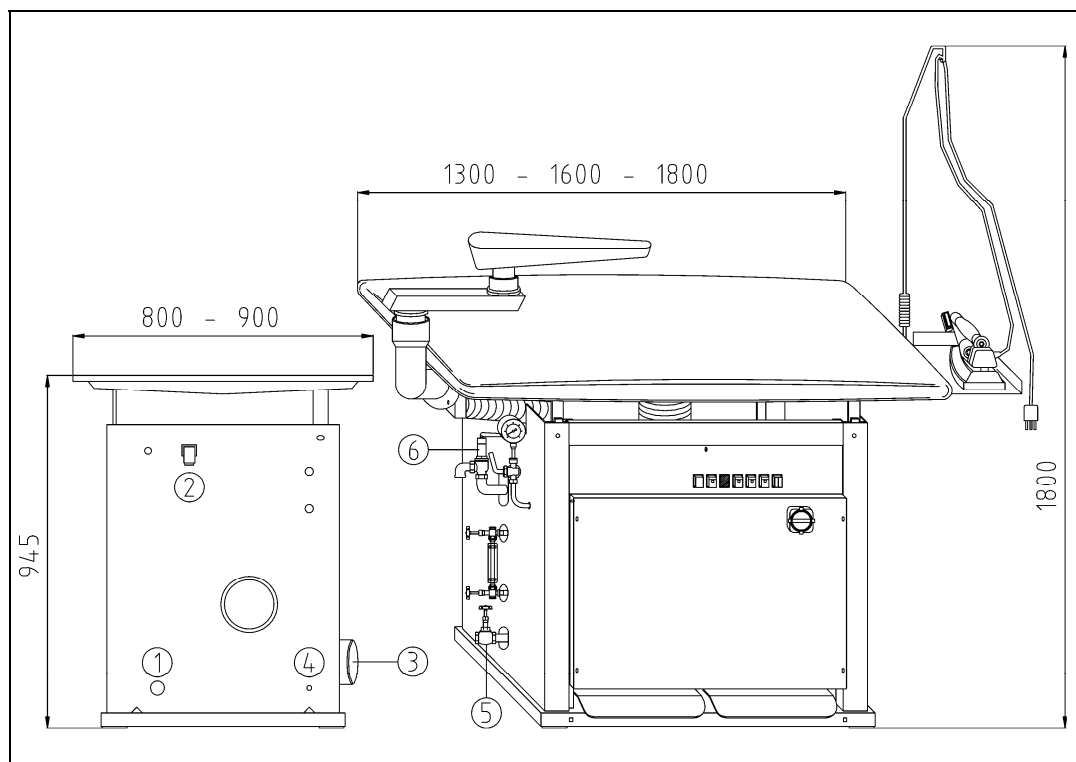
The dangers described in the following items have not been completely eliminated, but they have been considered acceptable:

- During the maintenance operation there could be some sprays of steam (maintenance operation must be performed using suitable protection devices).
- Protection against direct and indirect contact with steam must be ensured by the user.

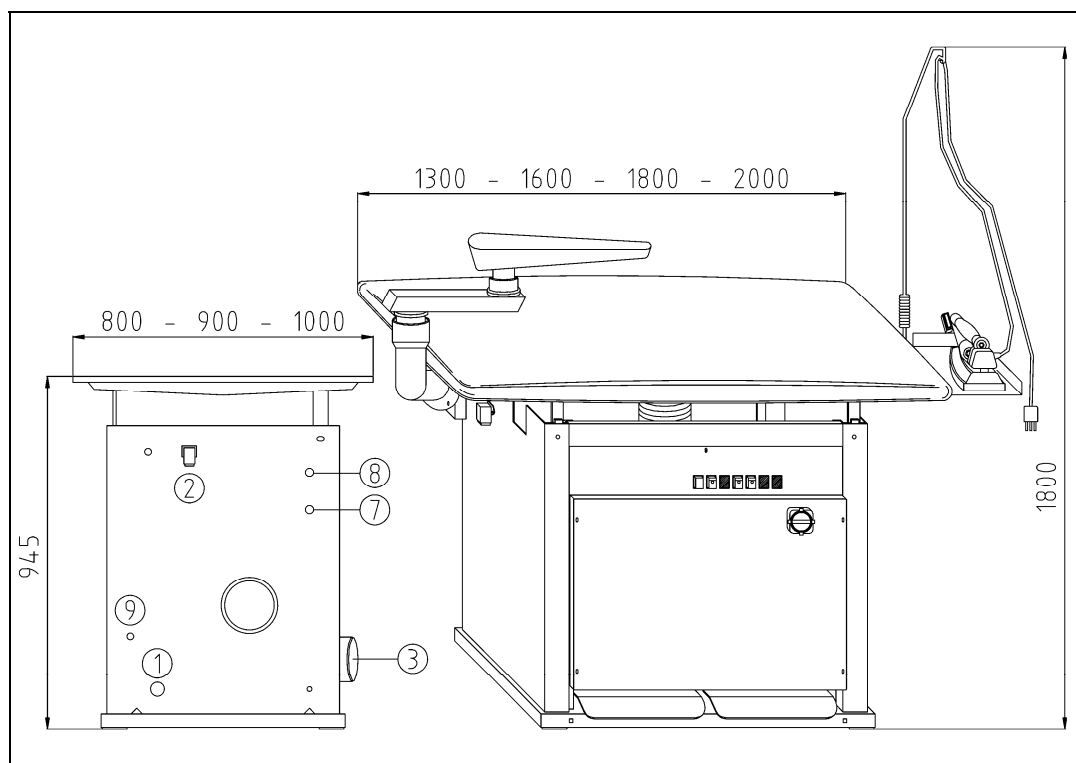
11 DIMENSIONS AND TECHNICAL DRAWINGS

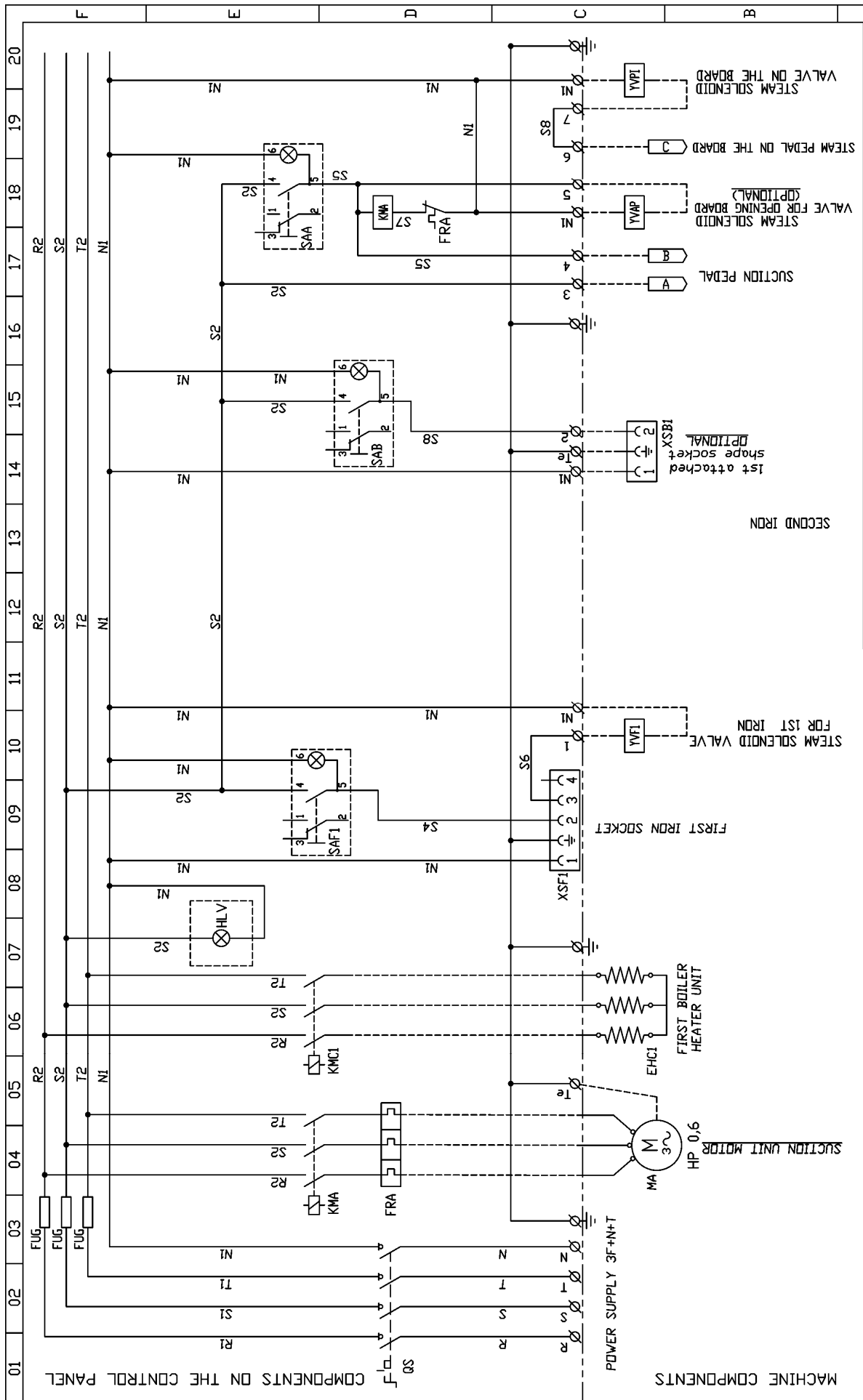
1	Power supply	6	Safety valve G 1/2" - 5,5 bar
2	Steam iron connection	7	Condensation return G 3/8"
3	Sucked air discharge Ø150	8	Steam supply G 3/8"
4	Water intake G 3/8" - Ø12	9	Air supply G 1/4" (only 1000x2000)
5	Boiler discharge G 1/2"		

GB-MV/A



GB-MV/V



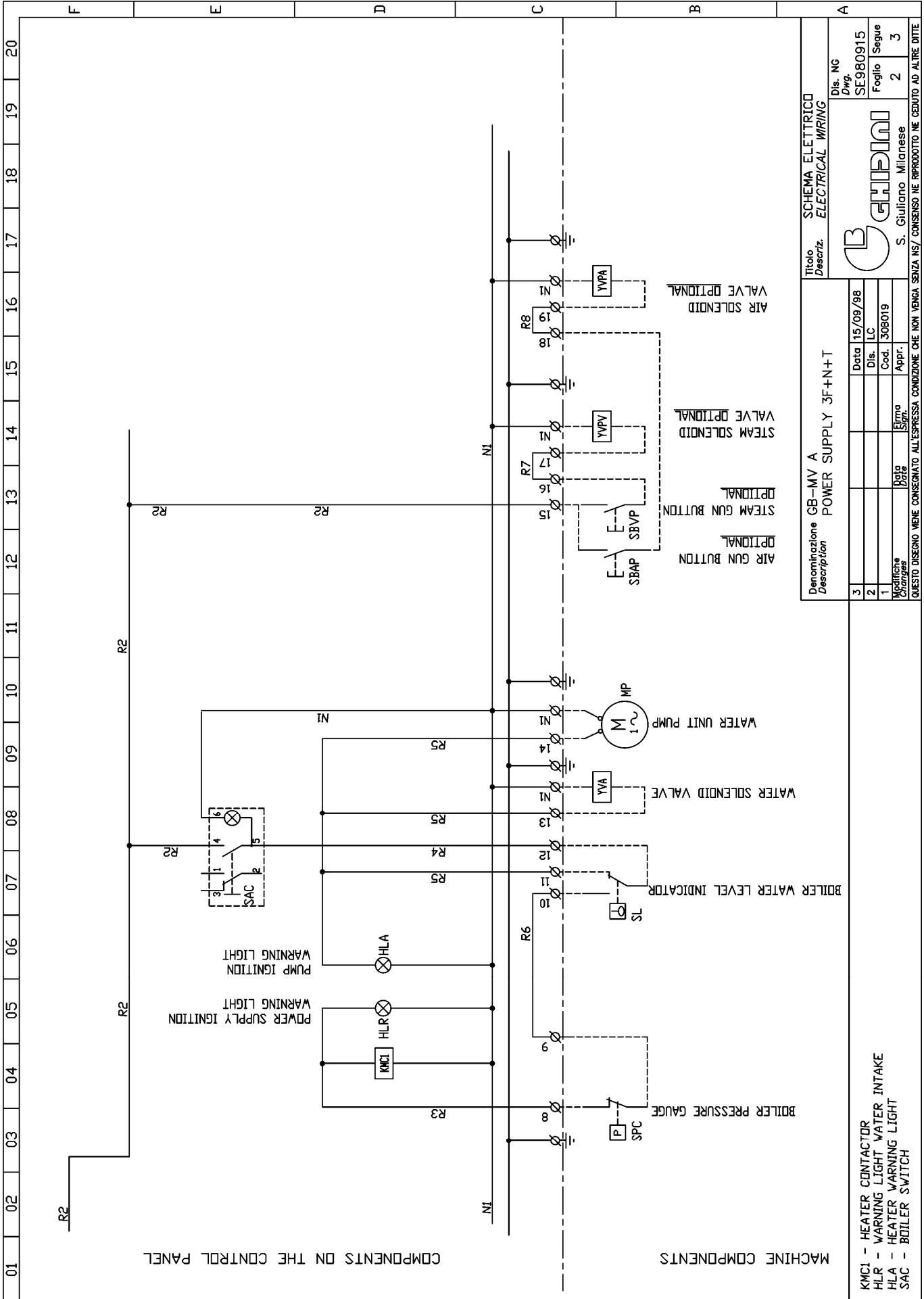


Denominazione Description		GB-MV A POWER SUPPLY 3F+N+T	
3	Dis. NG	15/09/98	
2	Dwg.	LC	
1	Foglio	308019	
1	Segue		
2			

TITOLO SCHEMA ELETTRICO
DESCRIZIONE ELECTRICAL WIRING
Dis. NG SE980915
Foglio 1
Segue 2
S. Giuliano Milanese
GIPINI
 QUESTO DISEGNO VIENE CONSEGNATO ALL'ESPRESSIONE CONDIZIONE CHE NON VENGA SENZA NS/ CONSENSO NE RIPRODOTTO NE CEDUTO AD ALTRE DITTE

- SAA = SUCTION SWITCH
- KMA = SUCTION CONTACTOR
- FRA = SUCTION THERMAL RELAY
- YVFI = STEAM SOLENOID VALVE FOR IRON
- YVAP = STEAM SOLENOID VALVE FOR BOARD (OPTIONAL)

- FUG = FUSE 40A GL
- QS = DISCONNECTING SWITCH
- HLV = WARNING LIGHT 'PRESENCE OF VOLTAGE'
- SAF1 = FIRST IRON SWITCH
- SAB = HEATED SHAPE SWITCH (OPTIONAL)



Denominazione Description		GB-MV A POWER SUPPLY 3F+N+T	
3		Data	15/09/98
2		Dis. LC	
1		Cod.	308019
Modifiche Changes		Data	
		Signa	
		Appr.	
QUESTO DISEGNO VIENE CONSEGNATO ALL'ESPRESSIONE CONDIZIONE CHE NON VENGA SENZA NS/ CONSENSO NE RIPRODOTTO NE CEDUTO AD ALTRE DITTE			

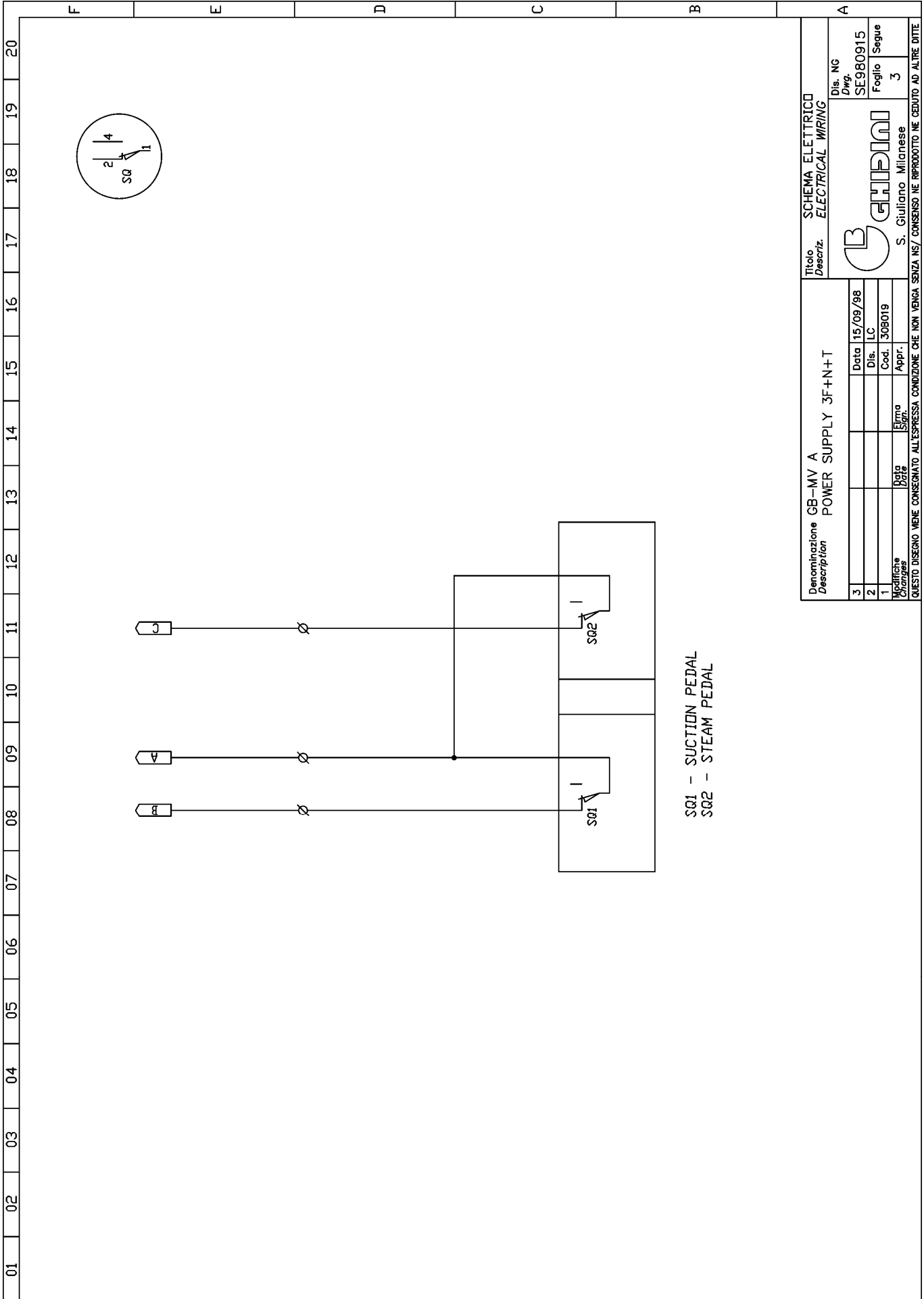
Titolo Descriz.		SCHEMA ELETTRICO ELECTRICAL WIRING	
		Dis. NG	
		Dwg.	SE980915
		Foglio	2
		Segue	3



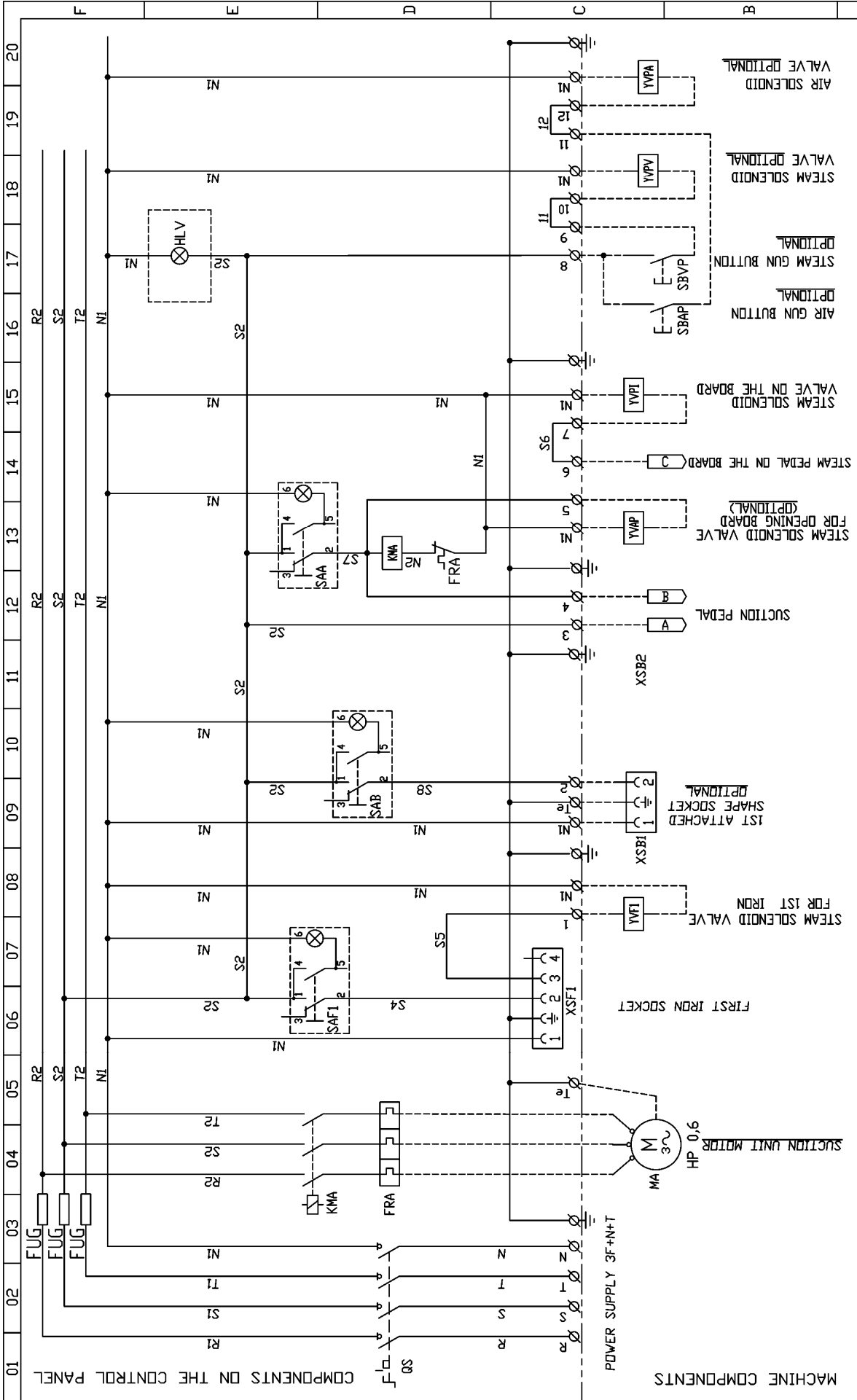
- KMC1 - HEATER CONTACTOR
- HLR - WARNING LIGHT WATER INTAKE
- HLA - HEATER WARNING LIGHT
- SAC - BOILER SWITCH

01 02 03 04 05 06 07 08 09 10 11 12 13 14 15 16 17 18 19 20

F E D C B A



Denominazione Description		GB-MV A POWER SUPPLY 3F+N+T	
3	Data	15/09/98	
2	Dis. LC		
1	Cod.	308019	
Modifiche Changes		Date	Appr.
		Signature	
QUESTO DISEGNO VIENE CONSEGNATO ALL'ESPRESSIONE CONDIZIONE CHE NON VENGA SENZA NS/ CONSENSO NE RIPRODOTTO NE CEDUTO AD ALTRE DITTE			
Titolo Descriz.		SCHEMA ELETRICO ELECTRICAL WIRING	
Dis. NG Dwg.		SE980915	
Foglio Sheet		3	
S. Giuliano Milanese		GHIPINI	

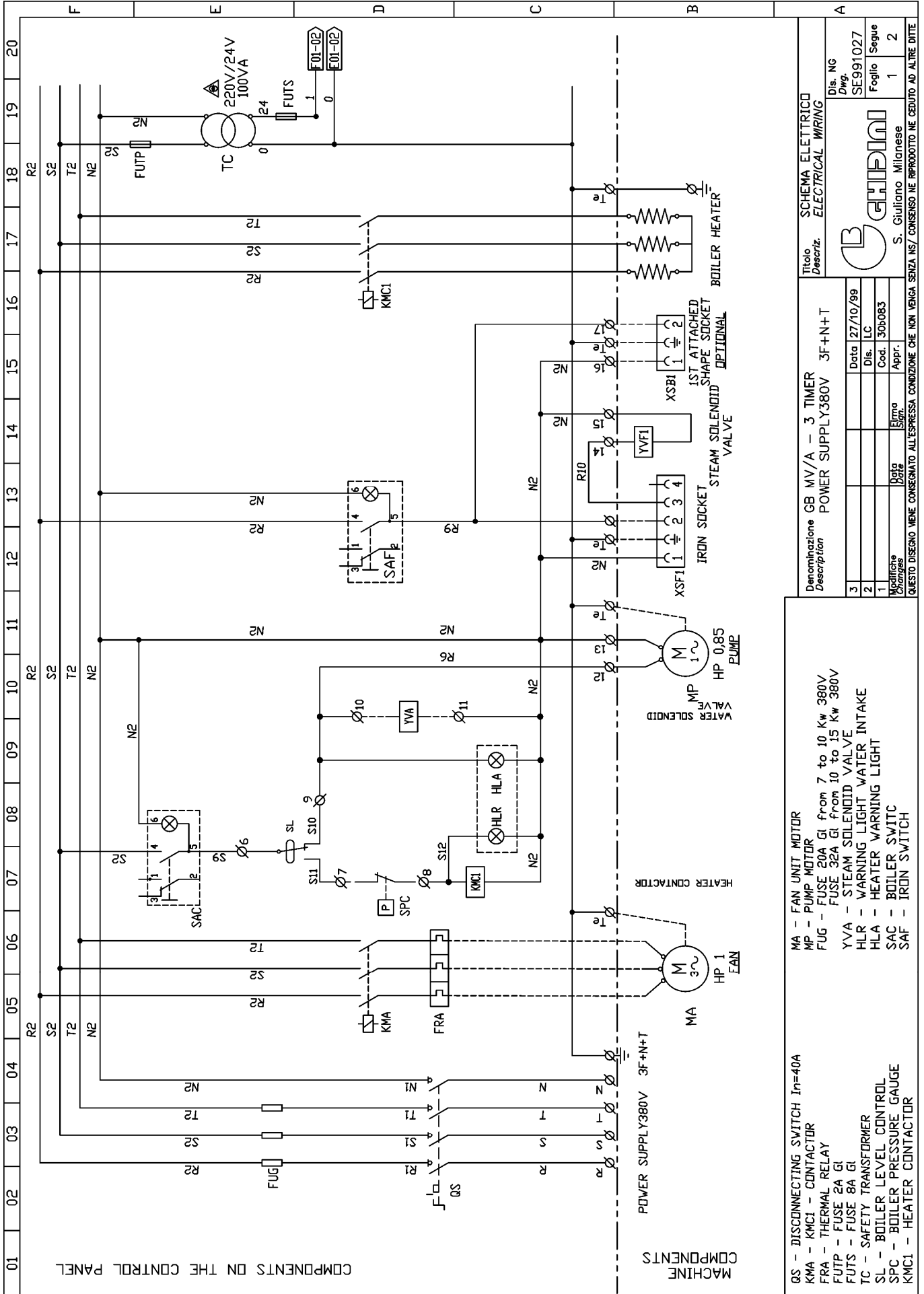


Denominazione Description		GB-MV V POWER SUPPLY 3F+N+T	
3		Data	28/07/98
2		Dis. LC	
1		Cod.	308020
Modifiche Changes		Data	Edizione
		Appr.	
Titolo Descriz. SCHEMA ELETTRICO ELECTRICAL WIRING			
		Dis. NG	SE980728
		Foglio	1
		Segue	



- SAB - HEATED SHAPE SWITCH (OPTIONAL)
- FRA - SUCTION THERMAL RELAY
- SAA - SUCTION/BLOWER SWITCH

- QS - DISCONNECTING SWITCH
- HLV - WARNING LIGHT 'PRESENCE OF VOLTAGE'
- SAF1 - FIRST IRON SWITCH
- FUG - FUSE 8A GL



COMPONENTS ON THE CONTROL PANEL

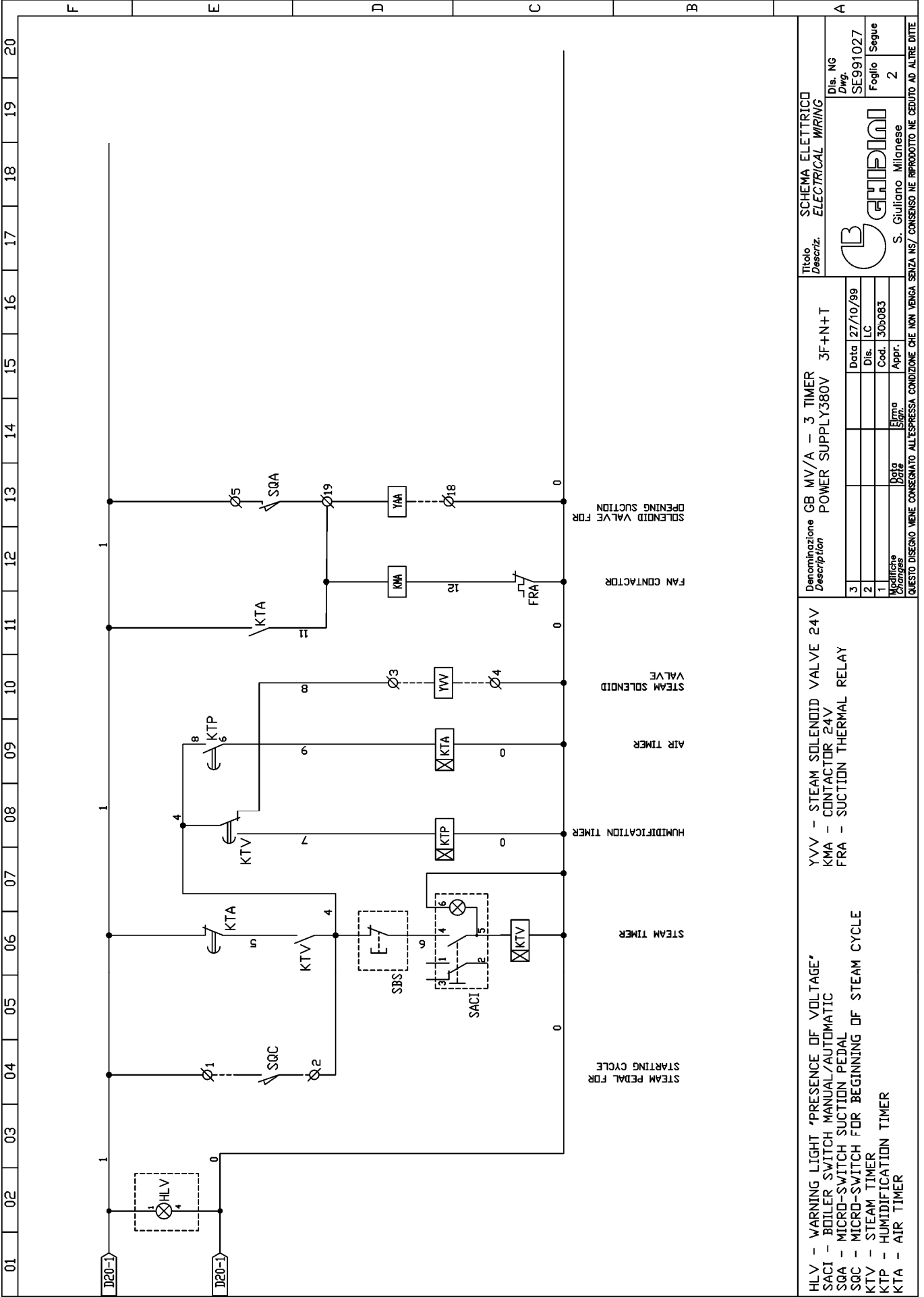
COMPONENTS ON THE MACHINE

- QS - DISCONNECTING SWITCH In=40A
- KMA - CONTACTOR
- FRA - THERMAL RELAY
- FUG - FUSE 2A GI
- FUTS - FUSE 8A GI
- TC - SAFETY TRANSFORMER
- SL - BOILER LEVEL CONTROL
- SPC - BOILER PRESSURE GAUGE
- KMC1 - HEATER CONTACTOR

- MA - FAN UNIT MOTOR
- MP - PUMP MOTOR
- FUG - FUSE 20A GI from 7 to 10 Kw 380V
- FUG - FUSE 32A GI from 10 to 15 Kw 380V
- YVA - STEAM SOLENOID VALVE
- HLR - WARNING LIGHT WATER INTAKE
- HLA - HEATER WARNING LIGHT
- SAC - BOILER SWITCH
- SAF - IRON SWITCH

Denominazione		GB MV/A - 3 TIMER	
Description		POWER SUPPLY380V 3F+N+T	
3	Data	27/10/99	
2	Dis. LC		
1	Cod.	305083	
Modifiche	Date	Signa	Appr.
Changes	Date	Signa	Appr.

Titolo		SCHEMA ELETTRICO	
Descriz.		ELECTRICAL WIRING	
Dis. NG		SE991027	
Foglio		1	
Segue		2	
S. Giuliano Milanese			



HLV - WARNING LIGHT "PRESENCE OF VOLTAGE"
 SACI - BOILER SWITCH MANUAL/AUTOMATIC
 SQA - MICRO-SWITCH SUCTION PEDAL
 SQC - MICRO-SWITCH FOR BEGINNING OF STEAM CYCLE
 KTV - STEAM TIMER
 KTA - HUMIDIFICATION TIMER
 YV - AIR TIMER
 YV - STEAM SOLENOID VALVE 24V
 KMA - CONTACTOR 24V
 FRA - SUCTION THERMAL RELAY

Denominazione GB MV/A - 3 TIMER
 Description POWER SUPPLY380V 3F+N+T

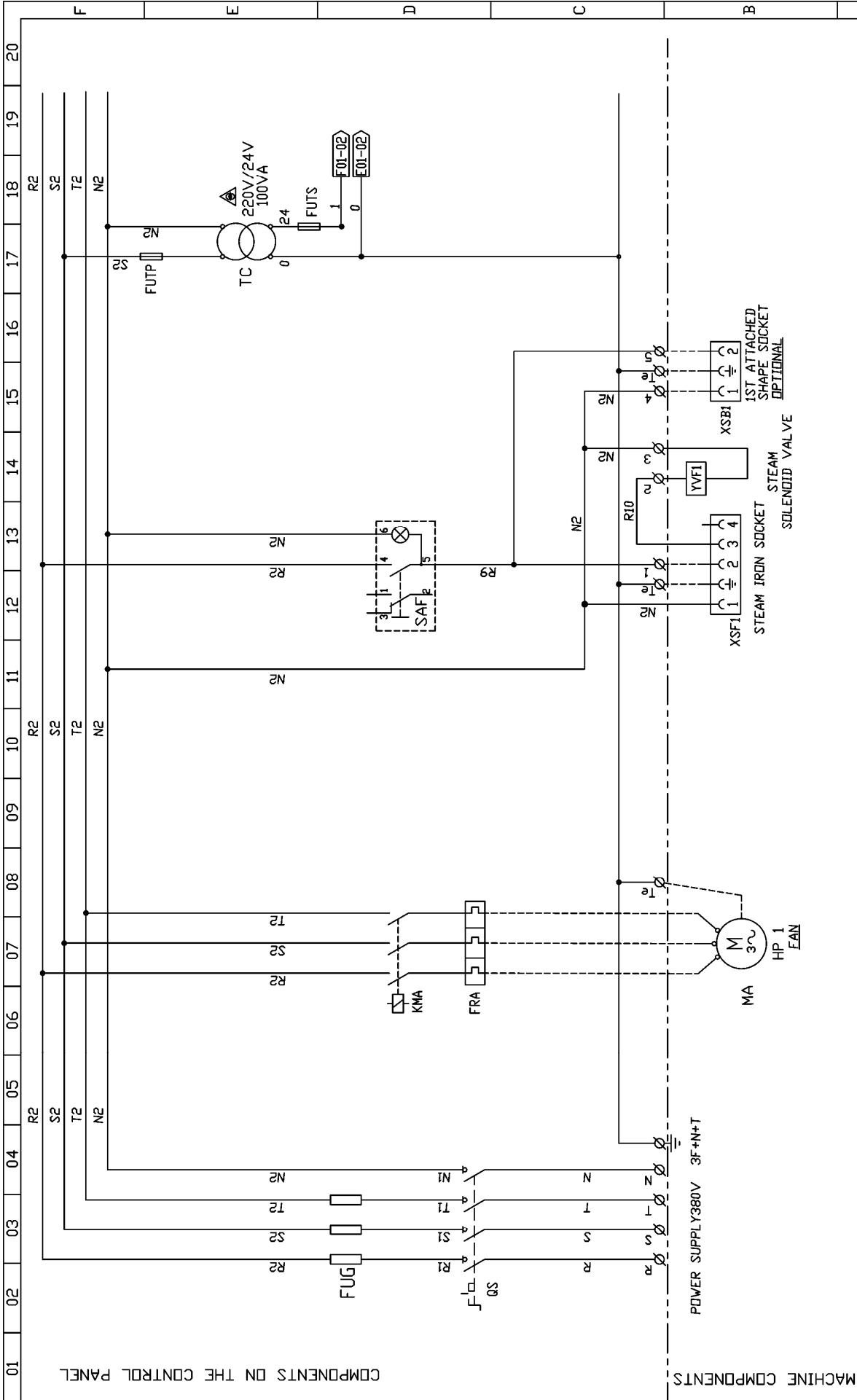
3	Data	27/10/99
2	Dis. LC	
1	Cod.	300083

Modifiche
 Changes

Date	Signa	Appr.

Titolo SCHEMA ELETTRICO
 Descriz. ELECTRICAL WIRING
 Dis. NG SE991027
 Foglio Segue 2
 S. Giuliano Milanese
 GHIPIANI

QUESTO DISEGNO VIENE CONSEGNATO ALL'ESPRESSIONE CONDIZIONE CHE NON VENGA SENZA NS/ CONSENSO NE RIPRODOTTO NE CEDUTO AD ALTRE DITTE



COMPONENTS ON THE CONTROL PANEL

MACHINE COMPONENTS

Denominazione Description GB MV/V - 3 TIMER POWER SUPPLY380V 3F+N+T		Titolo Descriz. SCHEMA ELETRICO ELECTRICAL WIRING	
3	Data	22/02/00	Dis. NG
2	Dis. LC		Dwg.
1	Cod.	305084	SE000222
Modifiche	Data	Signa	Foglio
Changes	Date		Segue
			1
			2

QUESTO DISEGNO VIENE CONSEGNATO ALL'ESPRESSIONE CONDIZIONE CHE NON VENGA SENZA NS/ CONSENSO NE RIPRODOTTO NE CEDUTO AD ALTRE DITTE

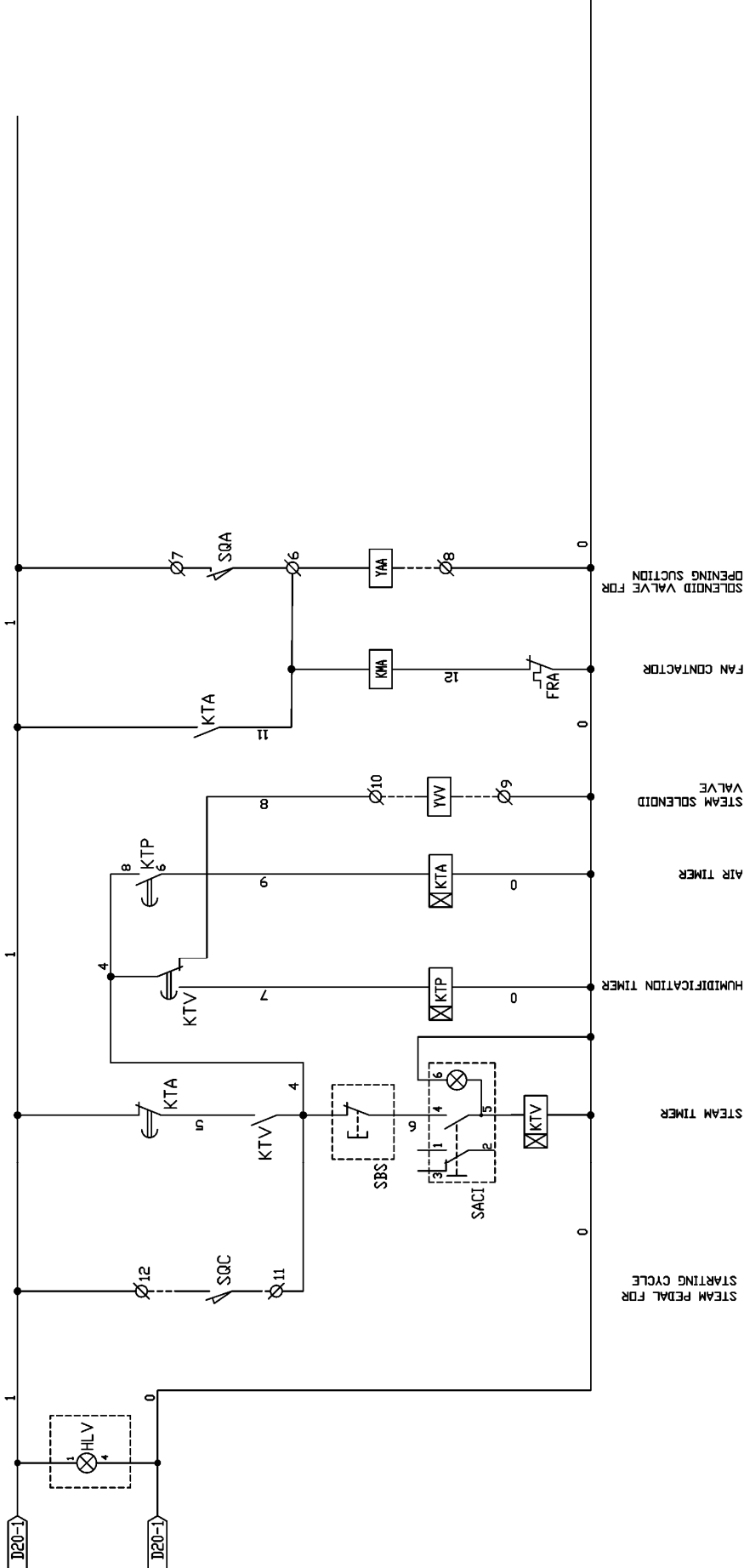
MA - FAN MOTOR
 YVA - WATER SOLENOID VALVE
 SAF - IRON SWITCH

QS - DISCONNECTING SWITCH In=40A
 KMA - CONTACTOR
 FRA - THERMAL RELAY
 FUTP - FUSE 2A GI
 FUG - FUSE 8A GI
 FUG - GENERAL FUSE 8A GI
 TC - SAFETY TRANSFORMER

S. Giuliano Milanese
GHIPINI
 Dis. NG
 SE000222
 Foglio 1
 Segue 2

01 02 03 04 05 06 07 08 09 10 11 12 13 14 15 16 17 18 19 20

F



B

C

D

E

F

HLV - WARNING LIGHT "PRESENCE OF VOLTAGE"
 SQA - SWITCH MANUAL/AUTOMATIC CYCLE
 SQA - MICRO-SWITCH SUCTION PEDAL
 SQC - MICRO-SWITCH FOR BEGINNING OF STEAM CYCLE
 KTV - STEAM TIMER
 KTP - HUMIDIFICATION TIMER
 KTA - AIR TIMER
 YV - STEAM SOLENOID VALVE 24V
 KMA - CONTACTOR 24V
 FRA - SUCTION THERMAL RELAY

Denominazione GB MV/V - 3 TIMER
 Description POWER SUPPLY 380V 3F+N+T

3	Data	22/02/00
2	Dis. LC	
1	Cod.	30b084

Modifiche
 Changes

Date	Signa	Appr.
------	-------	-------

Titolo SCHEMA ELETTTRICO
 Descriz. ELECTRICAL WIRING
 Dis. NG SE000222
 Foglio Segue 2
 S. Giuliano Milanese
 GHIPIINI

QUESTO DISEGNO MENE CONSEGNAATO ALLESPRESSA CONDIZIONE CHE NON VENGA SENZA NS/ CONSENSO NE RIPRODOTTO NE CEDUTO AD ALTRE DITE

12 MAINTENANCE PROCEDURES

In case of troubles, contact the technician for the inspection and, if necessary, for unscheduled maintenance.

Periodically, it is necessary to carry out the following procedures:

PROCEDURE	HOURS OF WORK
Emptying of the boiler (*)	40
Cleaning of the water filter	1500
Cleaning of the boiler, and of the heating elements	2500
Cleaning of the condensation return filter	500

(*): Empty the boiler periodically when it is at a pressure of 1,0 bar, in order to remove possible lime residue and impurities. When the machine is turned off, put the outlet pipe in a bucket, and open gradually the tap of the boiler outlet. We recommend carrying out this operation before you start working and not in the evening at the end of work, as the fresh water streaming into the boiler is rich in oxygen, increasing during the night the corrosion process inside the drum.

This machine does not require special equipment for check and maintenance operations, but use suitable tools and personal protection in compliance with D.Lgs. 626/94 and in good condition (DPR. 547/55) in order to avoid harm to people and to parts of the machine.

Prior to carrying out any inspection or work on the machine, make sure that it is disconnected from the main electrical supply and that the machine has cooled down completely.

13 DISPOSAL

During the maintenance operations, or in case of demolition, do not litter the environment with polluting elements. Refer to the local laws in force for appropriate disposal. In case of demolition, it is necessary to destroy the identification rating plate and any other document.

14 HOW TO ORDER SPARE PARTS

For the spare parts request it is necessary to quote the model of the machine, the serial number, the quantity of the spare parts requested and their code number. (This data is available on the rating plate, the technical data and in the operating instructions.)

If the voltage and frequency of the electrical parts to replace are not V220-380/50Hz (check these particular characteristics on the rating plate of the part to replace), quote the right data. The technical data, the descriptions and pictures included in this manual are not binding. The manufacturer reserves the right to make any necessary modification without prior notice or having to up-date the present manual.

15 HANDLING AND TRANSPORT

Before its shipment the machine is carefully packed in a cardboard box. During the shipment and storage of the equipment, pay attention to warnings printed on the packaging. Upon receipt, check that the packaging is intact and store the machine in a dry place.

16 WARRANTY

All Ghidini products are supplied with a guarantee for materials and manufacturing failures for a maximum period of 12 months from the date of the delivery.

The guarantee is extended as follows:

In case of malfunction of the machinery contact Ghidini and quote the trouble, the model, serial number and the operating conditions of the machine. Upon receipt of the machine and after an accurate analysis, Ghidini reserves the right to repair or to replace the product. If the machine is still under guarantee, Ghidini will repair or replace it free of charge, but if the returned product is not defective, Ghidini reserves the right to charge the freight to the customer (transport, etc.).

This warranty must be considered annulled in case of damages caused by incorrect use, negligence, wear and tear, chemical corrosion, installation contrary to the operating instructions supplied by Ghidini. Any eventual modification or different use of the machine must be previously authorized by Ghidini through a written document, otherwise Ghidini may be considered free even from the guarantee bond. The parts of the machine which are subjected to wear and tear are not included in the guarantee as well as all the items not explicitly cited, or damages and expenses caused by the defects of the product itself. Implicitly the customer accepts the conditions of the present warranty upon purchasing the machine. Eventual modifications to the guarantee must be authorized by Ghidini through a written document.

17 CONFORMITY DECLARATION

Manufacturer:

GHIDINI
Company

Via Tolstoj, 24 – 20098 S. Giuliano Milanese (MI)
Address

+39 -02 -98.24.06.00
Phone number

Certifies that:

The machine:

Ironing table – **GB-MV**

- * is built in conformity with the DIRECTIVES OF THE EUROPEAN COMMUNITY COUNCIL referring to machines (98/37/CE) and to low voltage (BT 73/23/CEE).
- * is built in conformity with the following laws and technical specifications, in what can be applied and in mutual agreement: EN 292-1/2, EN 1050, EN 982, EN 11200, EN 60947, EN 894-1/2.

CEO
Product Manager

Roland Fleischmann
Name

GHIDINI S.R.L.
Company



Signature

December 2008
Date



Web site: <http://www.ghidini-gb.it> - E-mail: sales@ghidini-gb.it