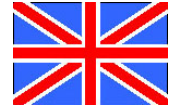




Majestic A


GHIDINI

User and Maintenance Manual



ENGLISH



Manufacturer	GHIDINI BENVENUTO s.r.l.
Product	Form finisher Majestic A
Year	2003
Certification	

CONTENT

1	INTRODUCTION	10	WARNINGS
2	GENERAL DESCRIPTION	11	DISCHARGE
3	IDENTIFICATION OF THE MACHINE	12	DIMENSIONS AND SCHEMES
4	TECHNICAL DATA	13	MAINTENANCE OPERATIONS
5	COMPONENTS	14	SPARE PARTS ORDER
6	PACKING AND INSTALLATION	15	MOVING AND TRANSPORT
7	OPERATING INSTRUCTIONS	16	WARRANTY
8	PROBLEMS AND SOLUTIONS	17	CONFORMITY CERTIFICATE
9	PRECAUTIONS		

1 INTRODUCTION

These operating and maintenance instructions refer to the form finisher "Majestic A".

It is possible to obtain the last version of the present instructions requiring it to the Sale and Technical Department or visiting our web site web www.ghidini-gb.it.

This manual contains important instructions for the health safety and security of the operators. Read attentively and keep it carefully to be always at the disposal of the operators.

Ghidini s.r.l. cannot be held liable for any damage to things or injury to persons caused by an improper use of the machine in contrast with these instructions.

Any eventual modification or different use of the machine must be previously authorized through a written document by Ghidini s.r.l. otherwise the manufacturer can be considered free even from the guarantee bond.

2 GENERAL DESCRIPTION

The form finisher "Majestic A" is a useful instrument for the ironing of coats, jackets, dresses, skirts, etc.

The machine must be connected to an external electric supply to operate.

This machine is equipped with a boiler and an electronic card for the setting of a total of 19 ironing cycles.

It is an easy and efficient instrument of work, thanks to its control pedal.

3 IDENTIFICATION OF THE MACHINE

On the lid of the terminal board electrical connections a metal rating plate quotes the model, serial number, the year of construction and electrical and pressure feeding.

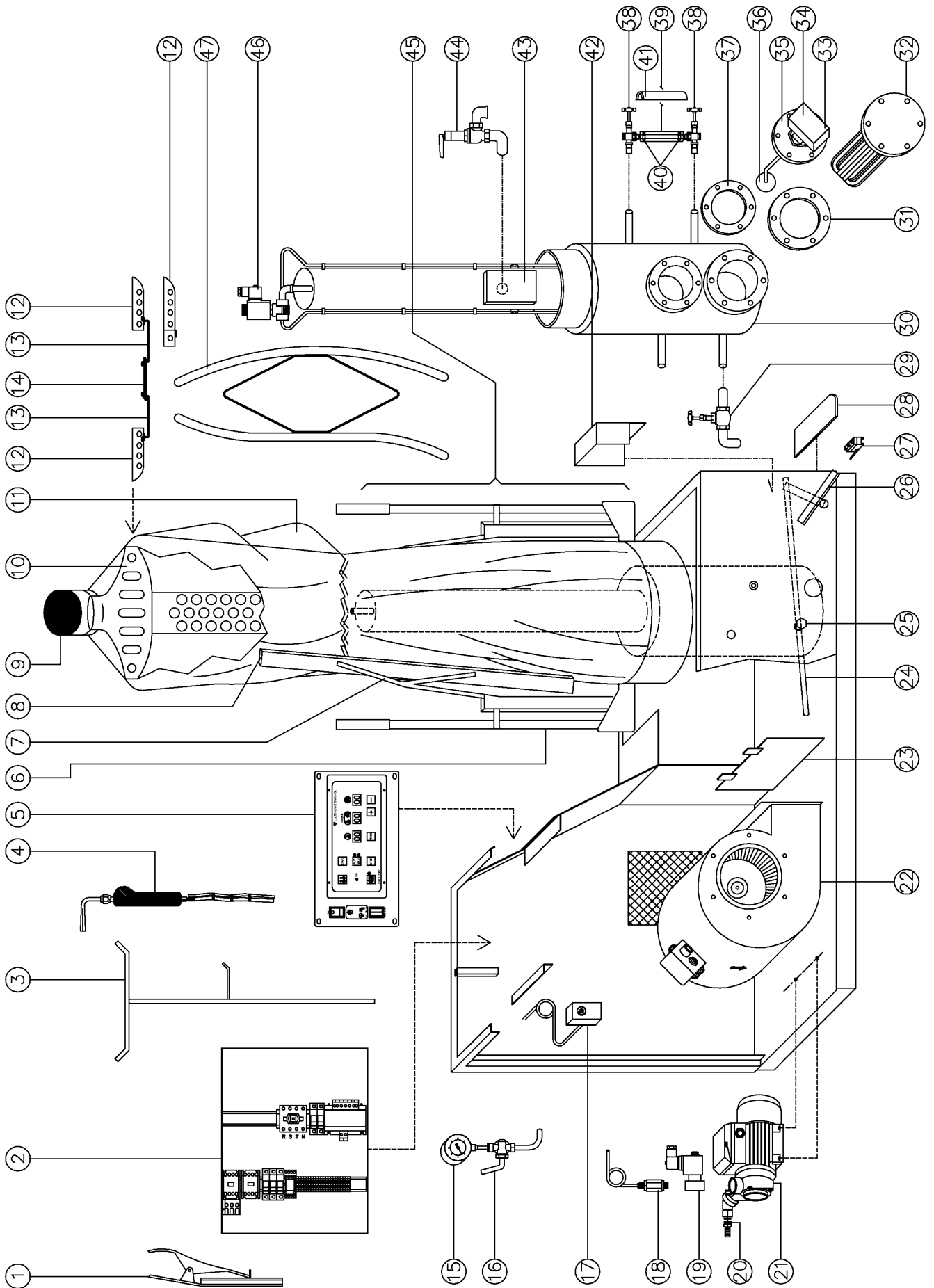
4 TECHNICAL DATA

TECHNICAL DATA	
Electrical feeding	220/380V – 3Ph – 50 Hz
Electrical consumption	10,5 ÷ 15 Kw
Boiler capacity	18 L
Steam pressure	4,5 bar
Steam consumption	12,5 ÷ 18 Kg/h
Motor pump power	0,8 Hp
Fan motor power	1 Hp
Boiler heating element	9,3 ÷ 12 Kw
Sound pressure level	< 70 dB(A)
Operating temperature	+ 5 ÷ + 80 °C
Operating humidity	90 % max.
Stocking temperature	- 20 ÷ + 50 °C
Dimensions	1200 x 580 x 1620 mm.
Net weight	82 Kg
Overall dimensions (with packing)	1270 x 680 x 1800 mm
Gross weight (with packing)	121 Kg

ATTENTION: Check that the supplied voltage and pressure correspond to that indicated on the previous scheme.

5 COMPONENTS

The main parts of the machine are:



Pos.	CODE	DESCRIPTION	Pos.	CODE	DESCRIPTION
1	Z20L01	Stainless steel clamp	23	163036	Air adjusting plate
2	30B022	Electrical panel	24	184343	Air adjusting rod
3	173039	Antenna	25	184317	Rod slide
4	Z07A00	Steam gun	26	173030	Left pedal
5	25L041	Control card		172014	Right pedal
6	183263	Threaded rod	27	43D002	Microswitch of lever
7	172011	STANDARD sliding block pushing	28	172015	Frontal pedal
	172012	MEDIUM sliding block pushing	29	37B001	Boiler discharge gate
	172013	MAXI sliding block pushing	30	200073	Boiler with cert. PED
8	234026	Sliding block sponge	31	244237	Heating element gasket
9	52A001	Hand wheel	32	•	Boiler heater 9,3 ÷ 12 Kw
10	Z20B00	Dummy MINI	33	49A001	Complete automatic level control
	Z20A00	Dummy STANDARD	34	49G002	Bulb
	Z20C00	Dummy MAXI	35	183270	Level control flange
11	273212	MINI dummy cloth	36	49G001	Ball
	273210	STANDARD dummy cloth	37	244236	Level control gasket
	273211	MAXI dummy cloth	38	37C001	Cocks
12	173352	STANDARD sliding shoulder	39	52G002	Glass
	173351	MAXI sliding shoulder	40	244243	Gaskets
13	184008	Tie rod for dummy shoulder	41	244217	Glass protection
14	184306	Plate for tie rod for dummy shoulder	42	173463	Heater protection casing
15	35A002	Manometer	43	•	Boiler identification plate
16	37E001	Manometer's cock G 1/4"	44	38S004	Safety valve G 1/2"
17	45G001	Pressure switch 2,5 ÷ 5 bar	45	Z20G00	STANDARD complete sliding block
18	38W001	Non return valve		Z20H00	MINI complete sliding block
19	39B022	Water solenoid valve G 1/4"		Z20I00	MAXI complete sliding block
20	36E006	Hose holder G 3/8" – Ø12	46	39A009	Steam solenoid valve G 3/8"
21	42B006	Pump PQM81 230V – 50Hz – 1Ph	47	Z20M01	Sleeve stretcher
22	42C005	Fan			

- : See next table

CODE	DESCRIPTION
212068	Heater 230/400V - 10,5Kw
215164	Heater 230/400V - 12Kw
212067	Heater 230/400V - 9,3Kw

6 PACKING AND INSTALLATION

ATTENTION: The unit must be installed, opened and repaired by fully qualified technicians only.

6.1 UNPACKING

Find the most suitable place where to put the machine, then remove it from the packing and check that it is intact. The packing materials do not need special precautions to be discharged, for they are not dangerous or polluting. Look at the local rules in force to discharge them.

6.2 INSTALLATION

The machine does not need to be anchored to the floor, except for installation on self-moving means, where it is necessary to use the holes on the base for the right fixing.

For a correct use and operation, as well as for an easy maintenance, leave a free space around the machine. Do not put the machine in dangerous or inflammable places.

6.3 ELECTRICAL CONNECTION

Electrical connection must be carried out as indicated in the scheme. Check that the supply voltage corresponds to that indicated on the rating plate. The dimensions of the feeding cable must be adequate to the machine absorption and in conformity with the laws in force. To ensure safe connection to the main supply, use a magnetothermal switch or otherwise a switch with fuses.

Put the cable in the hole of cable clamp and close. Connect the cable to terminals of electrical arrival on the control panel, as shown in the scheme of these operating instructions.

6.4 CONNECTION TO CENTRAL STEAM SUPPLY

Connect the pipe of the water to the hose holder Ø12 of the machine. Assemble a gate valve and a filter on the water feeding pipe. Every evening close the valve to prevent a water eddy in the boiler. Connect the gate valve of the boiler outlet (threading G 1/2") to the drainage.

ATTENTION: At the end of the electrical connection, check that the cables are well fixed, isolated and protected from bumps.

7 OPERATING INSTRUCTIONS

7.1 OPERATION

- Installation and maintenance must be carried out by qualified technicians only.
- Do not use the machine plunged in fluids, in dangerous or inflammable places.
- Do not ignore the dangers for the operators health and follow the hygienic and safety prescriptions.
- Use always suitable pipes for the working pressure.
- Check that the electrical connection is correctly carried out respecting the laws in force and that the fuses boxes are closed and complete with fuses.
- Assure that the control and safety devices of the boiler (manometer, pressure switch, and safety valve) are intact.
- Assure that the gate valve of the boiler outlet is correctly closed.
- Verify that the rotating direction of the motors is correct.

7.2 VERIFICATIONS BEFORE WORKING

- Check that the machine is intact.
- Open the water feeding intercepting valve.
- Turn on the general switch of the machine.
- Turn on the boiler switch.
- The water feeding warning light turns on automatically (water starts flowing inside the boiler).
- When the water reaches the required level (check the water level glass), the warning light turns off automatically and the heater lights on, turning on the heaters warning light.
- In a few minutes the boiler reaches the working pressure of 4,5 bar (verify the pressure on the manometer) the warning light turns off automatically.
- The boiler is ready to supply steam.
- After the connection and the switching on, set the program of the working cycles (see next paragraph).
- Wait for some minutes in order to allow to the machine to reach the working temperature.
- Check that the steam circuit is working, pushing intermittently the manual steam switch
- At the beginning of ironing operations, if some condense is lost by the machine, push and keep on pushing on the steam button to get easier the activity of the steam circuit.

Pay attention to the danger of burns during the operations.

N.B.: If the machine is new or it has not been used for a long period of time, carry out some ironing cycles without clothes.

7.3 PROGRAM SETTING

Upon switching on, the program version will appear, by flashing on the left-hand display for about 4 seconds. The front panel features 8 push buttons:



Manual steam:

- If pressed, you activate the steam control.



Manual blowin:

- If pressed, the machines changes over to the blowing control FLIP/FLOP (the function is displayed by the relevant LED).

**Start:**

- This button starts the working cycle.

**Stop:**

- If pressed, you interrupt the working cycle.

**Manual/Automatic:**

- If pressed, you interchange the two functions, displayed by the relevant LEDs.
- The manual function activates the working cycle only by pressing the START button on the front panel.
- On the other hand, you can activate the automatic working cycle by a remote control or by an automatic starting device.

**Programming:**

- If pressed briefly, the display shows the current program number for about 1 second. During its display, it is possible to modify it by the relevant +/- buttons.
- If pressed for more than 3 seconds, it allows to change the operational settings.
- Upon each pressing, the program function moves one step forward, until the end of the programming is reached.
- The programming steps are as follows:
 - Program number (1 ÷ 19)
 - Steaming time expressed in seconds (0 ÷ 99)
 - Steaming and blowing time expressed in seconds (0 ÷ 99)
 - Blowing time expressed in seconds (0 ÷ 99)

**Plus-button::**

- Upon programming, this plus-button allows to modify the displayed, flashing number (seconds) by increasing it.
- Outside the programming phase, it can display the count of the effected operations for about 1 second (stroke-counter).
- If you press the minus-button for more than 3 seconds while the stroke-counter is displayed, the same will be reset.

**Minus-button:**

- Upon programming, this minus button allows to modify the displayed, flashing number (seconds) by decreasing it.
- If you press the minus-button for more than 3 seconds while the stroke-counter is displayed, the same will be reset.

The working cycle features 3 different times in sequence:

- Steaming time.
- Steaming and blowing time together (or of pause, if you press the relevant button).
- Blowing time, only.

The flashing ON-LED signals, that the working cycle has started, by activating at the same time the relevant output, whereas the displays show the decreasing time of the different steps. In case you select the PAUSE option, the central display unit will be flashing during the working cycle. At the end of the working cycle, the machine up-dates the cycle count, resets the timers of the different cycle steps, and is ready for a new cycle START.

The remote STOP-pedal features two different functions:

- If you press on the pedal for more than 2 seconds, it activates the manual blowing.
- if you press from 0.1 to 2 seconds on the same, it deactivates the manual blowing, if previously activated, or it stops the working cycle of the machine, if running.

7.4 USE

- Regulate the dummy shoulders width in the narrowest position with the hand wheel.
- Set a position for the skirt of the cloth depending on the length of the garment to iron.
- For garments with long sleeves open the zip fasteners on the sides of the cloth.

- Put the garment on the dummy and then regulate the shoulders' width by making them coincide with the shoulders of the garment.
- The dummy is supplied with two shovels, one in front and the other one on the back. The back shovel is for the fastening of the slit or the central pleat of the garment, while the front shovel is used to close the opening on the garment without having to button it.
- The shovels can be released by holding the handle and pulling it towards you. The same handle allows you to regulate the pressure of the shovels on the garment: turning it clockwise increases the pressure, turning it counter clockwise decreases the pressure. A good regulation of the shovel pressure will not let the edges of the garment slip away and also will not mark the garment itself.
- The machine is also supplied with two clamps for the closing of lateral slits.
- Slip the stretchers in the sleeves until they correspond with the sewings.
- Close completely the air valve on the fan by operating on the pedals located at the two sides of the machine. By pushing the pedal towards the back the valve closes itself.
- Switch on the fan and open gradually the air valve on the fan itself until the garment is swollen without being deformed. Once you have finished the regulation switch off the fan.
- Set the duration of the ironing cycle with the timers.
- Start up the working cycle by pushing on the central pedal and wait for the end.
- Remove the ironed garment.
- The machine is ready for another working cycle
- To stop the machine push the STOP button even during the working cycle. The machine stops and it is automatically ready for another ironing cycle.

8 PROBLEMS AND SOLUTIONS

The following scheme shows the main troubles and the corresponding causes and solutions. In case of doubts or unresolved problems, do not look for the trouble, taking off pieces of the machine, but contact the Technical Office or seller of Ghidini products.

PROBLEMS AND SOLUTIONS		
TROUBLES	POSSIBLE CAUSES	SOLUTIONS
The machine does not work.	Main power failure	<i>Check that the supply terminals are live.</i>
	Fuses are blown	<i>Check fuses</i>
The water light is always switched on and the pump keeps on loading:	Water does not reach the boiler	<i>Check that the water tap is open</i>
		<i>Check that there is pressure in the main water supply.</i>
		<i>Check that the water filter is not obstructed</i>
The heaters' light is always switched on and the boiler does not reach the requested working pressure.	Leak from the boiler outlet	<i>Control if the outlet gate valve is closed tightly.</i>
	Heaters are burnt or covered by lime	<i>Check heaters.</i>

ATTENTION: *If the safety valve intervenes, turn the boiler immediately off and contact a qualified technician. Do not stop up the breather and do not underestimate the problem, there is danger of explosion.*

9 PRECAUTIONS

Read carefully the instructions and the risks related to the use of a form finisher. Operators must know operating system and clearly understand its dangers through the manual.

Main electrical supply

Prior to carrying out any inspection or work on the machine, disconnect it from the main electrical supply and make sure that nobody can connect it again during the technical operations. All the electrical or electronic machines or basic structures installed must be connected to the earthing system.

Inflammability

Adopt all the necessary precautions to avoid any direct contact with hot materials or flames. Put fire extinguishers near the machine for an immediate intervention in event of fire.

Pressure / Steam

Before each intervention switch off the boiler and check that residual pressures are not inside every single branch of the hydraulic circuit. They could cause steam sprays in case of dissembling of pipes or components.

Noise

The noise emission is not excessive, because it remains under 70dB(A).

10 WARNINGS

The verification of conformity to the essential safety rules and to the dispositions included in the machine directive is carried out filling the checking lists arranged in advance and included in the technical file.

The checking lists are of two kinds:

- List of dangers (extract from EN 1050 referring to EN 292.
- Application of the essential safety characteristics (Dir. Machine – encl. 1, part 1)

The dangers described in the following items have not been completely eliminated, but they have been considered acceptable:

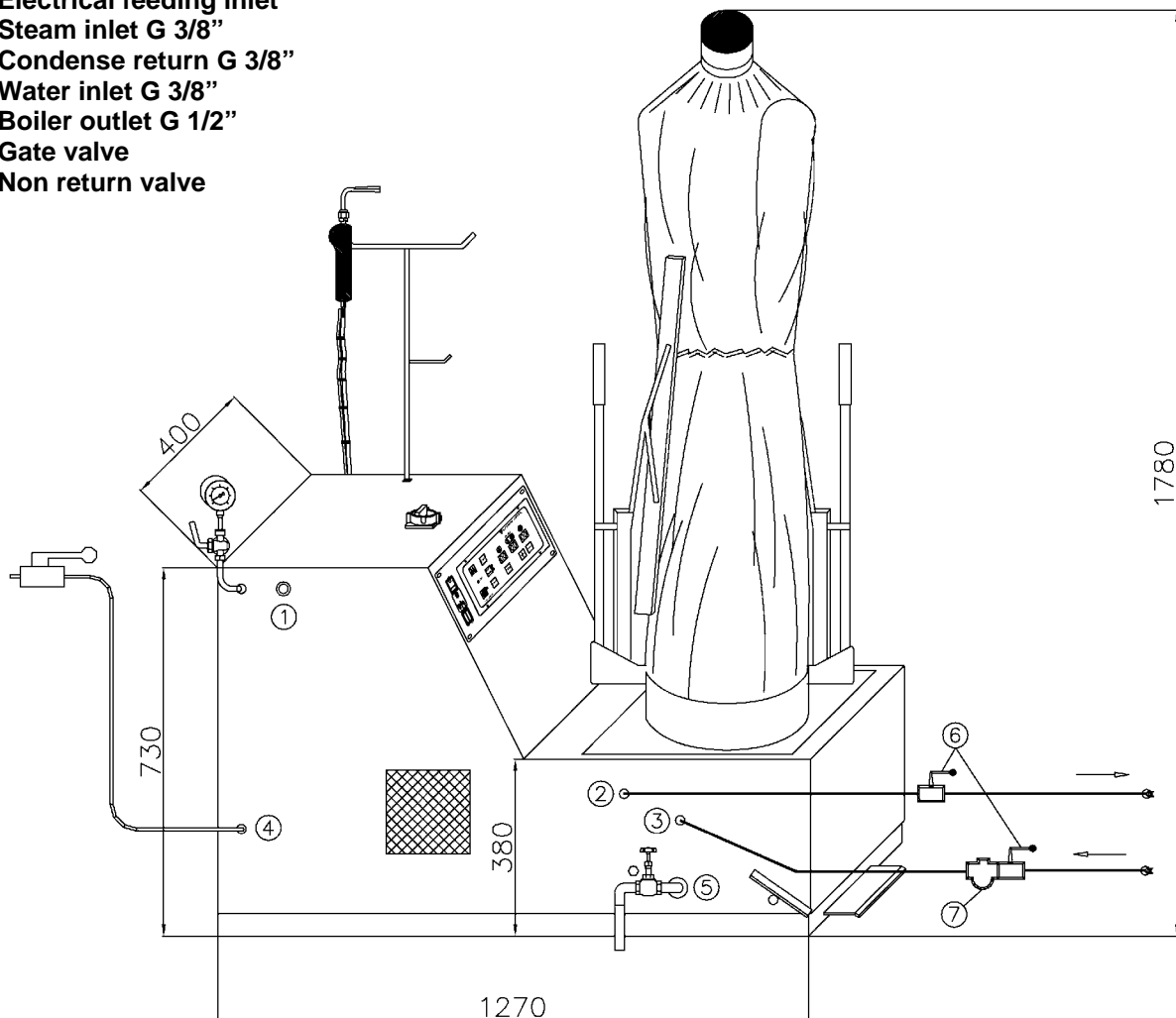
- During the maintenance operation there could be some sprays of steam, at low pressure (maintenance operation must be carried out using suitable protection devices)
- Protection against direct and indirect contacts must be adopted by the user.

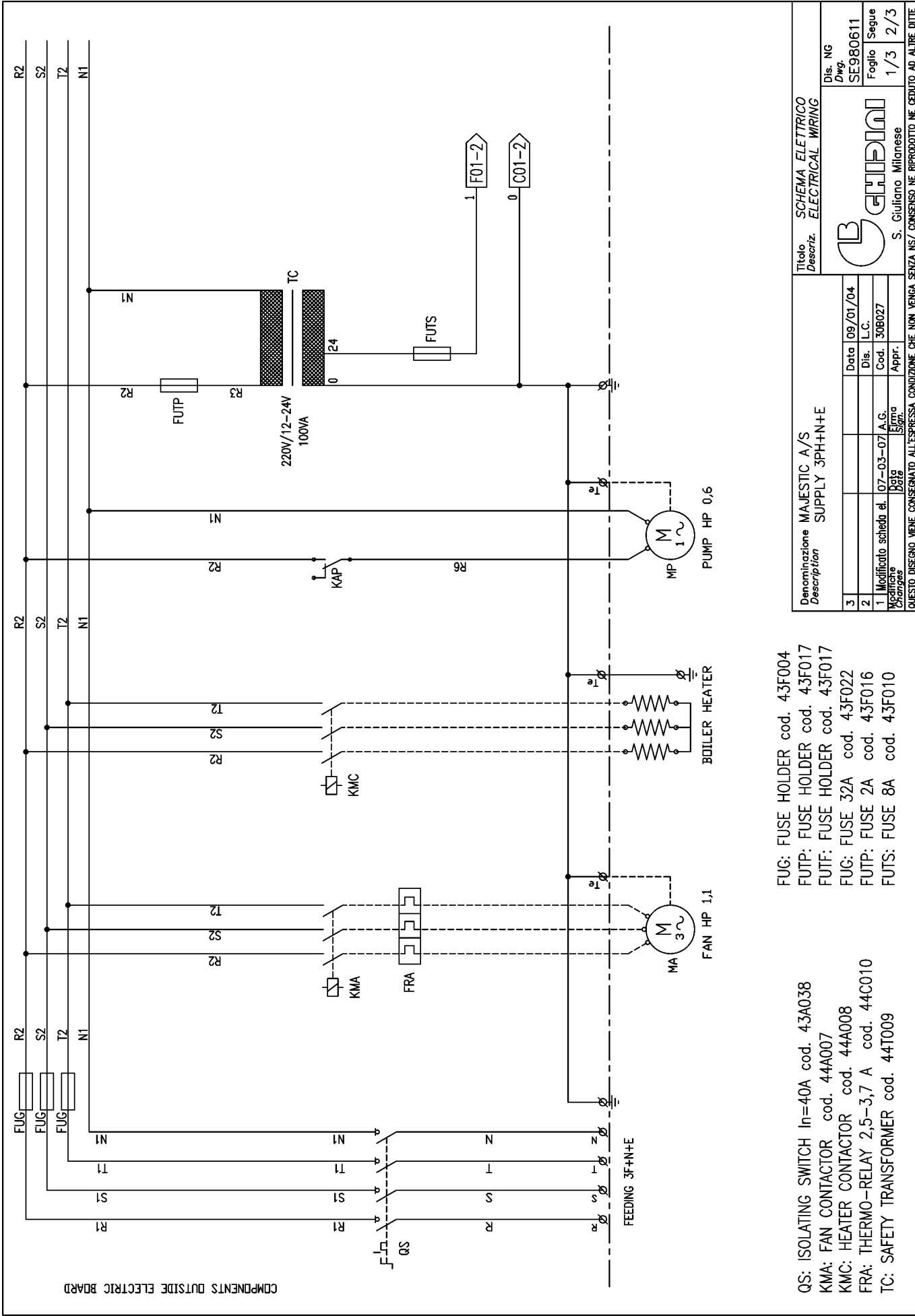
11 DISCHARGE

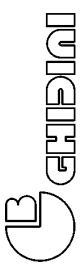
During the maintenance operations, or in case of demolition, do not throw polluting elements in the environment. Look at the local laws in force for the right discharge. In case of demolition it is necessary to destroy the identification rating plate and any other document.

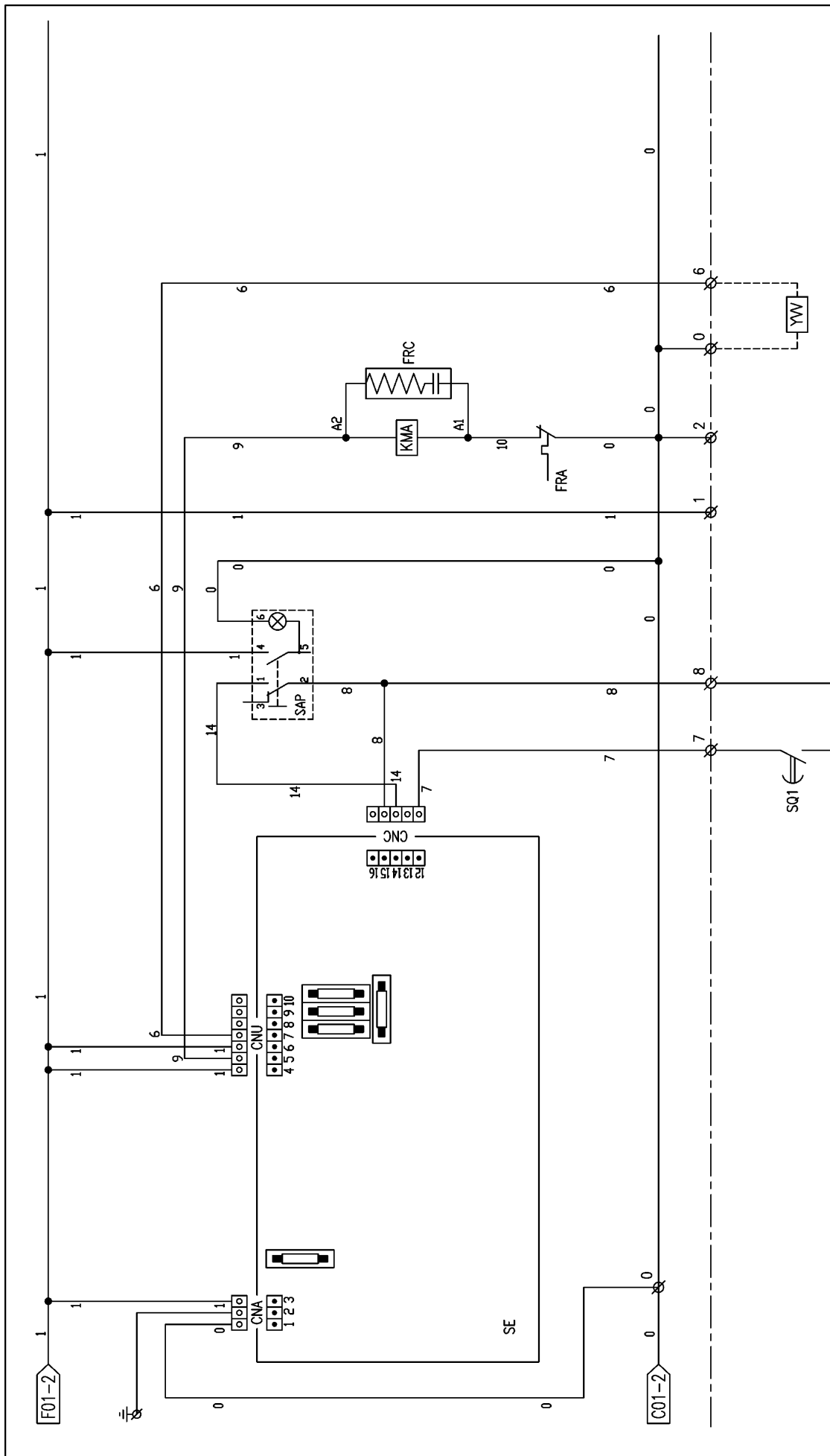
12 DIMENSIONS AND SCHEMES

1. Electrical feeding inlet
2. Steam inlet G 3/8"
3. Condense return G 3/8"
4. Water inlet G 3/8"
5. Boiler outlet G 1/2"
6. Gate valve
7. Non return valve





Denominazione Description		MAJESTIC A/S SUPPLY 3PH+N+E	
3	Data	09/01/04	
2	Dis. L.C.		
1	Modificato scheda el.	107-03-07 A.G.	
1	Verifiche	Disegn. / Firma	Appr.
Titolo Descriz.		SCHEMA ELETTRICO ELECTRICAL WIRING	
Dis. NG		SE980611	
Foglio		Segue	
1/3		2/3	
 S. Giuliano Milanese			



- SAP: PAUSE SWITCH cod. 43A035
- SE: ELECTRONIC CARD cod. 25L038
- KMA: FAN CONTACTOR cod. 44A007
- FRC: FILTER RC cod. 234029
- YV: STEAM SOLENOID VALVE
- SQ1: CYCLE START PEDAL
- FRA: THERMO-RELAY OF THE FAN cod. 44C010

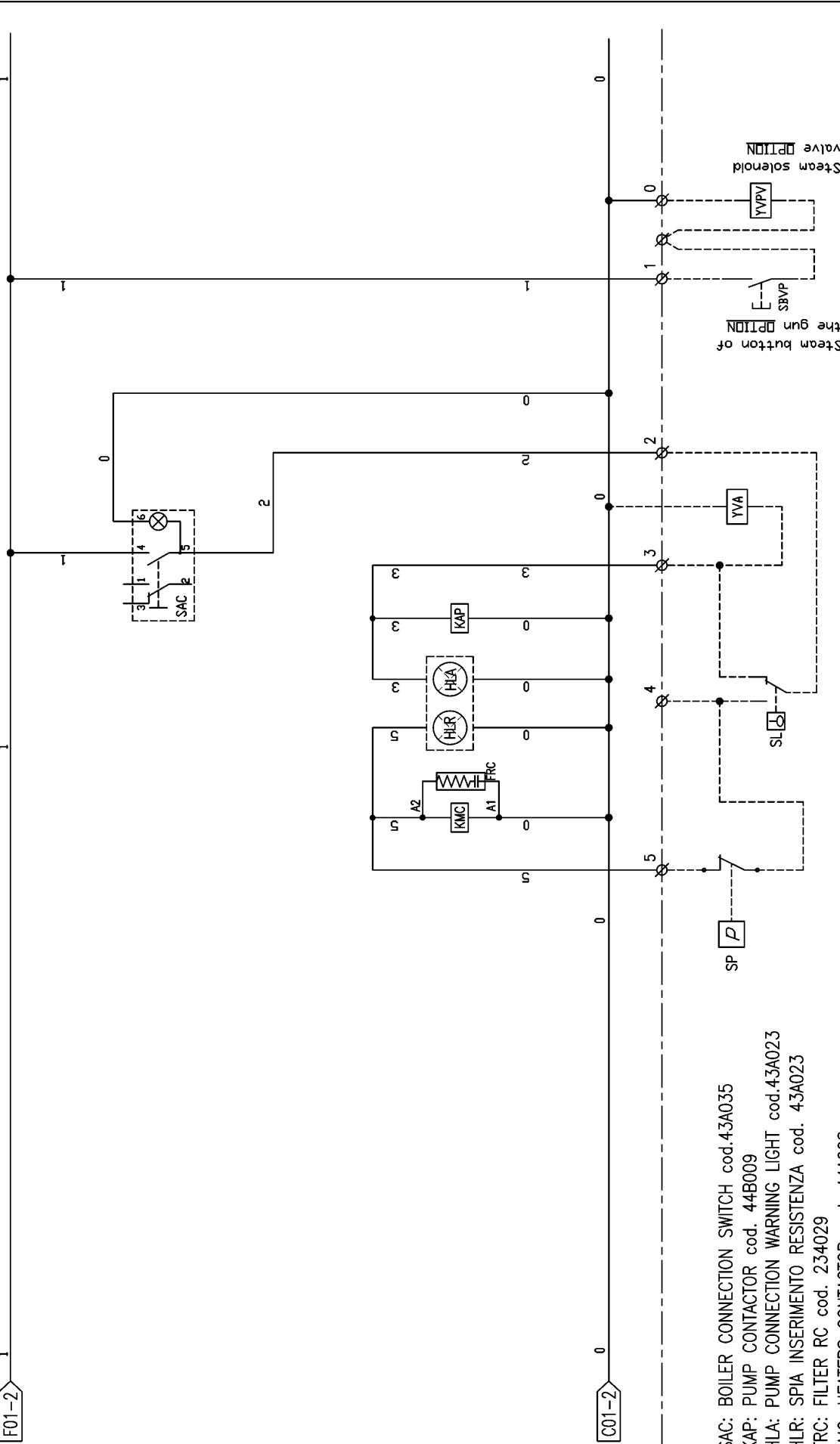
GHIPINI S. Giuliano Milanese		Dis. NG SE980611 Foglio Segue 2/3 3/3
Titolo SCHEMA ELETTRICO Descriz. ELECTRICAL WIRING		
Denominazione MAJESTIC A/S Description SUPPLY 3F+N+E	Data 09/01/04 Dis. L.C. Cod. 308027	
Modificato scheda el. 07/03/07 A.G. Modifiche Data Firma Appr.		
QUESTO DISEGNO VIENE CONSEGNATO ALL'ESPRESSIONE CONDIZIONE CHE NON VIENGA SENZA NSF CONSENSO NE RIPRODOTTO NE CEDUTO AD ALTRE DITTE		

F01-2

1

1

1



- SAC: BOILER CONNECTION SWITCH cod.43A035
- KAP: PUMP CONTACTOR cod. 44B009
- HLA: PUMP CONNECTION WARNING LIGHT cod.43A023
- HLR: SPIA INSERIMENTO RESISTENZA cod. 43A023
- FRC: FILTER RC cod. 234029
- KMC: HEATERS CONTACTOR cod. 44A008
- SP: BOILER PRESSURE SWITCH
- SL: BOILER WATER LEVEL
- YVA: WATER SOLENOID VALVE
- SBVP: STEAM BUTTON OF THE GUN (OPTION)
- YVPV: STEAM SOLENOID VALVE (OPTION)

Denominazione MAJESTIC A/S
Description SUPPLY 3F+N+E

Titolo SCHEMA ELETTRICO
Descriz. ELECTRICAL WIRING

3	Data	09/01/04
2	Dis. L.C.	
1	Cod.	308027
1	Appr.	
1	Disegn.	
1	Data	
1	Disegn.	
1	Disegn.	

S. Giuliano Milanese

Dis. NG
Dwg. SE980611
Foglio 3/3

QUESTO DISEGNO VIENE CONSEGNATO ALL'ESPRESSIONE CONDIZIONE CHE NON VIENGA SENZA IL CONSENSO NE RIPRODOTTO NE CEDUTO AD ALTRE DITTE

13 MAINTENANCE OPERATIONS

In case of troubles, contact the technician for the inspection and, if necessary, for extraordinary maintenance.

Periodically it is necessary to carry out the following operations:

OPERATIONS	HOURS OF WORK
Empty the boiler (*)	40
Clean the water filter	1500
Clean the boiler and heaters elements	2500
Verification of automatic level control	2500
Clean or change the dress	1500
Clean the condensate back flow filter	500
Lubricate the pedal rods and every moving part subject to rubbing	2500

(*):Empty the boiler when it is at a pressure of 1 bar, in order to remove every possible lime residue and impurity. When the machine is turned off, open gradually the gate valve of the boiler outlet. We recommend to carry out this operation before to start the work and not in the evening at the end of the work, because the new water, streaming into the boiler, is high in oxygen and increases therefore the corrosion process in the drum.

This machine does not require any special equipment for check and maintenance operations, but use suitable tools and personal protection in respect of D. Lgs. 626/94 and in good conditions (DPR. 547/55) in order to avoid troubles to people and to parts of the machine.

Prior to carrying out any inspection or work on the machine, make sure that it is disconnected from the main electric and hydraulic supplies.

14 SPARE PARTS ORDER

For the spare parts request it is necessary to quote the model of the machine, the serial number, the quantity of the spare parts requested and their code number. (these data are available on the rating plate, the technical data and on the operating instructions).

If the voltage and frequency of the electrical parts to replace are not V220-380/50Hz (check this particular characteristic on the rating plate of the part to replace), quote the right data.

The technical data, the descriptions and pictures included in this manual are not binding. The manufacturer reserves the right to make any necessary modification without notice and without updating these operating instructions.

CODE	DESCRIPTION
Z07A00	Steam spotting gun (optional)
Z20C00	MAXI Dummy (optional)
Z20B00	MINI Dummy (optional)

15 MOVING AND TRANSPORT

Before its transport the machine is carefully packed in a wooden cage. During the transport and the stocking operations, pay attention to warnings reported on the packaging. At the moment of the delivery, check that the packing is intact and put the machine in a dry place.

16 WARRANTY

All the products Ghidini are supplied with a guarantee for materials and manufacturing failures for a period of maximum 12 months from the date of the delivery.

The guarantee is extended as it follows:

In case of malfunction of the machinery contact Ghidini and quote the trouble, the model, serial number and the operating conditions of the machine. At the receipt of the machine and after an accurate analysis, Ghidini reserves the right to repair or to replace the product. If the machine is still under guarantee, Ghidini will repair or replace it free, but if the returned product is not defective, Ghidini reserves the right to charge the freight to the customer (transport, etc.).

This warranty must be considered annulled in case of damages caused by an incorrect use, negligence, wear and tear, chemical corrosion, installation in contrast with the operating instructions supplied by Ghidini. Any eventual modification or different use of the machine must be previously authorized by Ghidini through a written document, otherwise Ghidini can be considered free even from the guarantee bond.

The parts of the machine which are subjected to wear and tear are not included in the guarantee. All the items not explicitly cited or damages and expenses caused by the defects of the product itself. Implicitly the customer accepts the conditions of the present warranty purchasing the machine. Eventual modifications to the guarantee must be authorized by Ghidini through a written document.

17 CONFORMITY CERTIFICATE

Manufacturer:

GHIDINI
Company

Via Tolstoj, 24 – 20098 S. Giuliano Milanese (MI)
Address

+39 -02 -98.24.06.00
Phone

Certifies that:

The machine:

Form finisher **Majestic A**

- * is built in conformity with the DIRECTIVES OF THE EUROPEAN COMMUNITY COUNCIL referring to machines (98/37/CE) and to low-tension (BT 73/23/CEE) and PED certificate (97/23/CE).
- * is built in conformity with the following laws and technical specifications, in what can be applied and in mutual agreement:
EN 292-1/2, EN 1050, EN 982, EN 11200, EN 60947, EN 894-1/2.

Managing director

Roland Fleischmann

Product manager

Name

GHIDINI S.R.L.

Company



December 2003

Signature

Date

