



VETRON

» PARTS LIST

07/2021

STANDARD

» 5430

© **VETRON | TYPICAL GmbH**

Clara-Immerwahr-Str. 6
67661 Kaiserslautern, Germany
Tel.: +49 6301 320 75-0
Fax: +49 6301 320 75-11
info@vetrontypical.com
www.vetrontypical.com

All rights reserved.

The instructions for use, service instructions, parts lists are protected by copyright. Any reuse of the content outside the copyright is without the written consent of VETRON | Typical GmbH inadmissible and punishable.

VETRON | Typical GmbH is only liable for damage caused by intent or gross negligence on the part of the manufacturer. Moreover, liability is excluded.

Reserve technical changes!

The contents were carefully prepared and checked by the publisher. Due to continuous developments, illustrations, functional steps and technical data may differ slightly.

Updating the documentation

If you have suggestions for improvement or have detected any irregularities, please contact us.

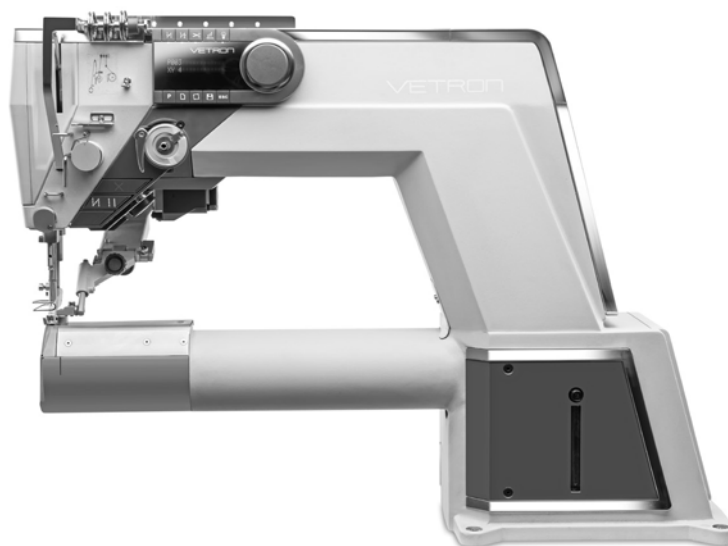
 The documents for the machines can be accessed by logging on <https://www.vetrontypical.com/> downloaded for free.



CE marked after §7 Prod SG

INDEX PARTS LIST

VETRON 5430 CYLINDER ARM MACHINE



04	GENERAL	
05	SEWING MACHINE OVERVIEW	
07	01. HEAD MODULE	
		557 110 000
23	02. FRAME MODULE	
		557 017 000
37	03. HANDWHEEL MODULE	
		557 410 000
39	04. LUBRICATION	
43	05. ELECTRONIC PARTS SEWING	
49	06. SEWING ACCESSORIES	
65	07. TABLE STAND	

GENERAL

At the time of printing, all information and illustrations in this document were up-to-date.

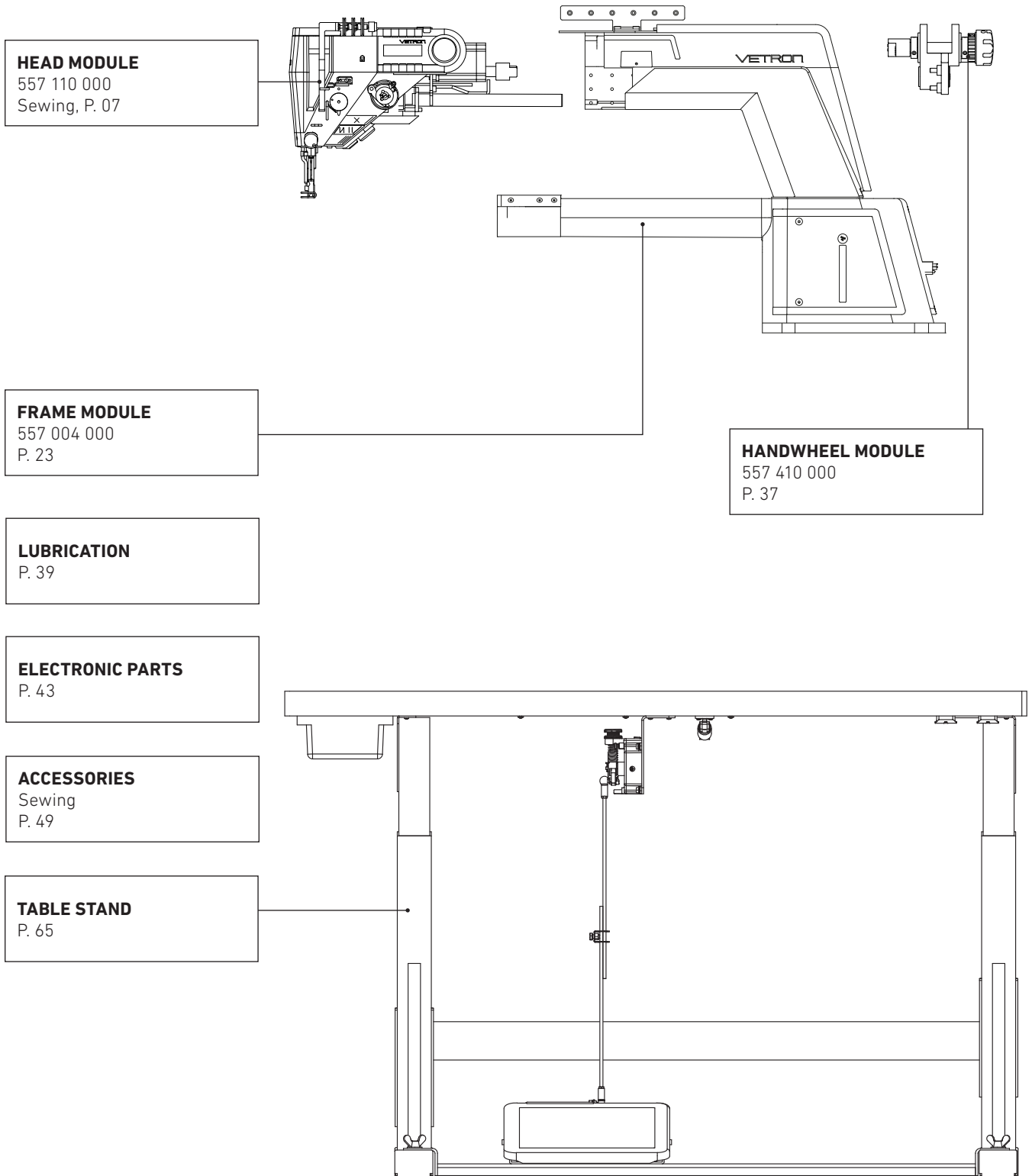
Technical changes without prior notice!



NOTE!

- » Please remember that we are not liable for spare parts and accessories not purchased from us. These parts were neither examined by us, nor released. Consequently, the installation or use of these products can have a negative influence on features and your workflow of the machine.
- » We accept no liability for any damage caused by the use of non-original parts.
- » Parts which are boxed have a underlined number. These parts have an assembly part number!
- » The part numbers in the box can be separately ordered.
- » Parts with a ★ have a new design. The previous version is found at the end of the chapter. After the parts in stock have been used up, they will no longer be available.

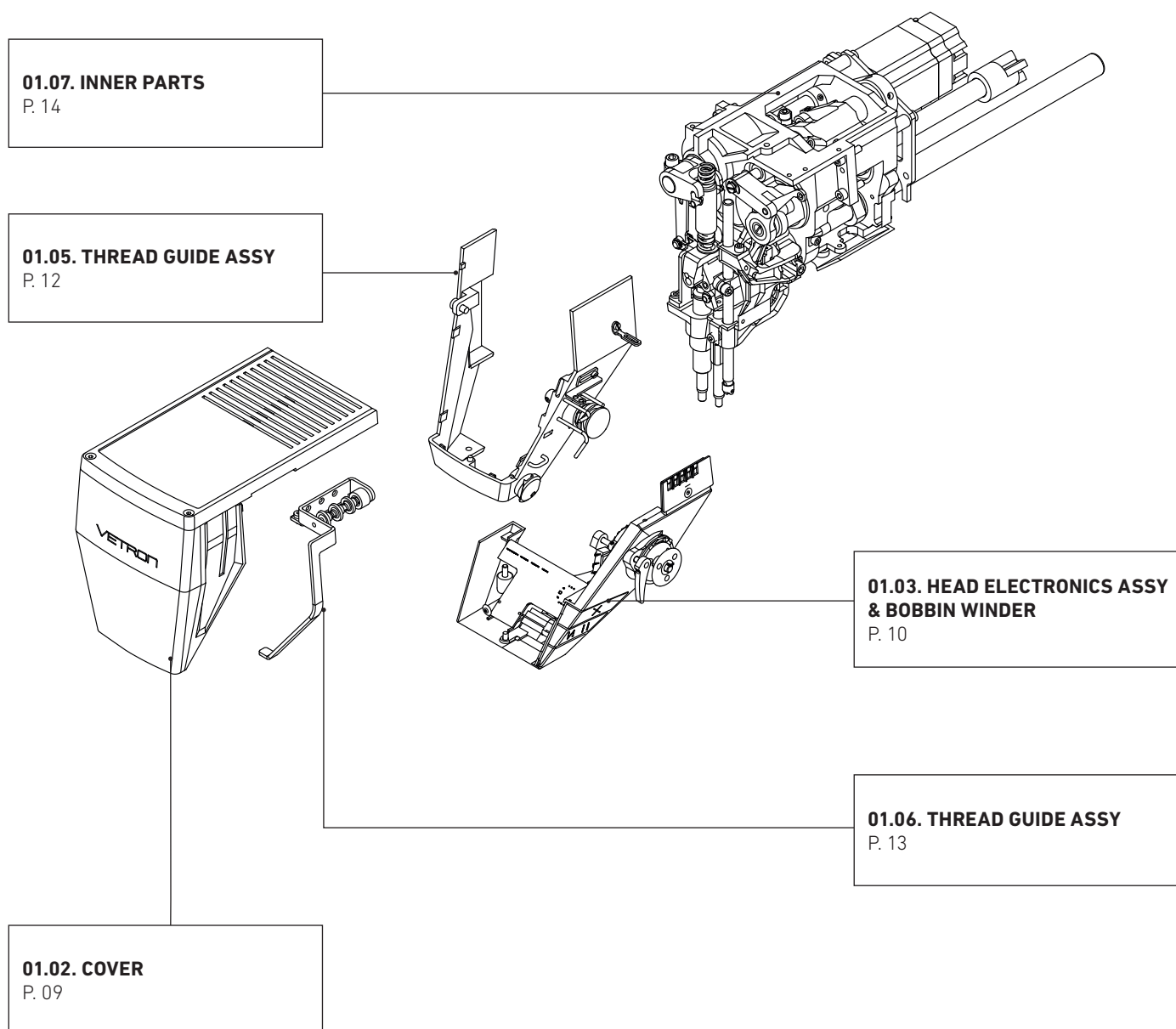
SEWING MACHINE OVERVIEW



08	01. OVERVIEW
09	02. COVER
10	03. HEAD ELECTRONICS ASSY & BOBBIN WINDER
11	04. BOBBIN WINDER
12	05. THREAD GUIDE ASSY
13	06. THREAD GUIDE ASSY
14	07. INNER PARTS – OVERVIEW
15	07.01. BEARING & COVER
16	07.02. THREAD TAKE-UP LEVER & STITCH REGULATOR
17	07.03. STITCH REGULATOR – TOP FEED - STROKE
18	07.04. NEEDLE BAR PENDULAR
19	07.05. TOP FEED MECHANISM
20	07.06. STEPPING MOTORS
21	08. PREVIOUS VERSIONS

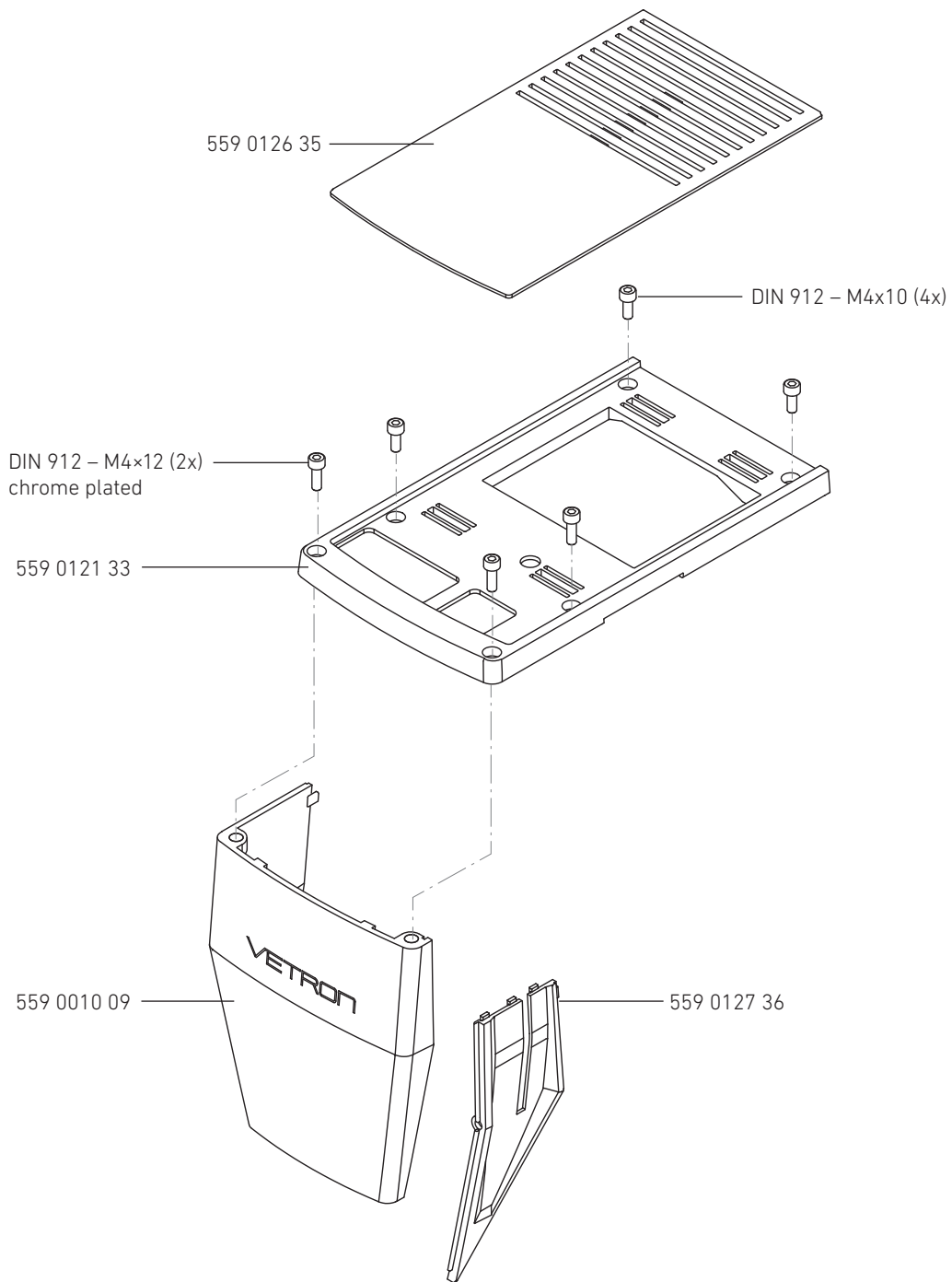
01. HEAD MODULE

01. OVERVIEW



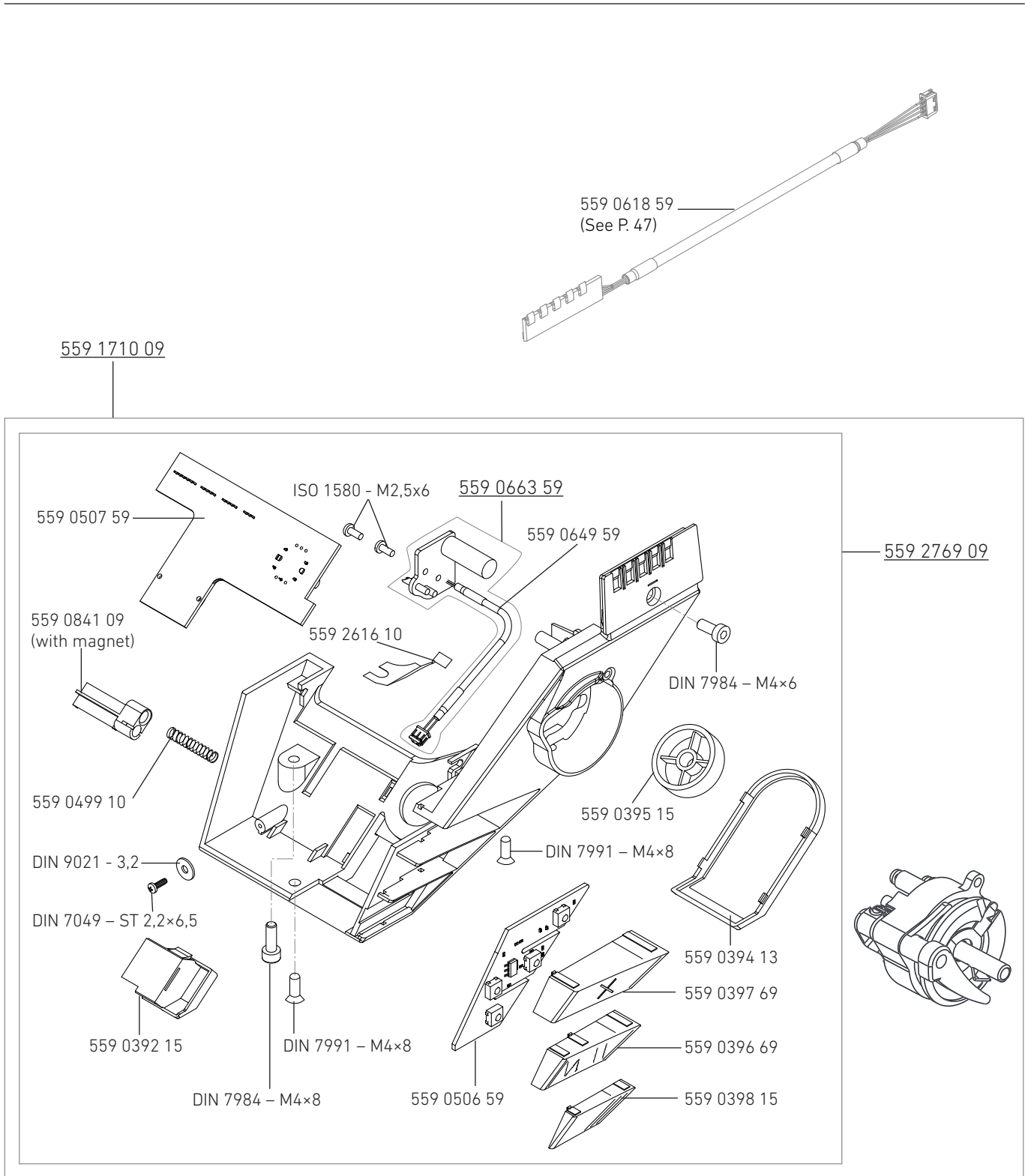
01. HEAD MODULE

02. COVER



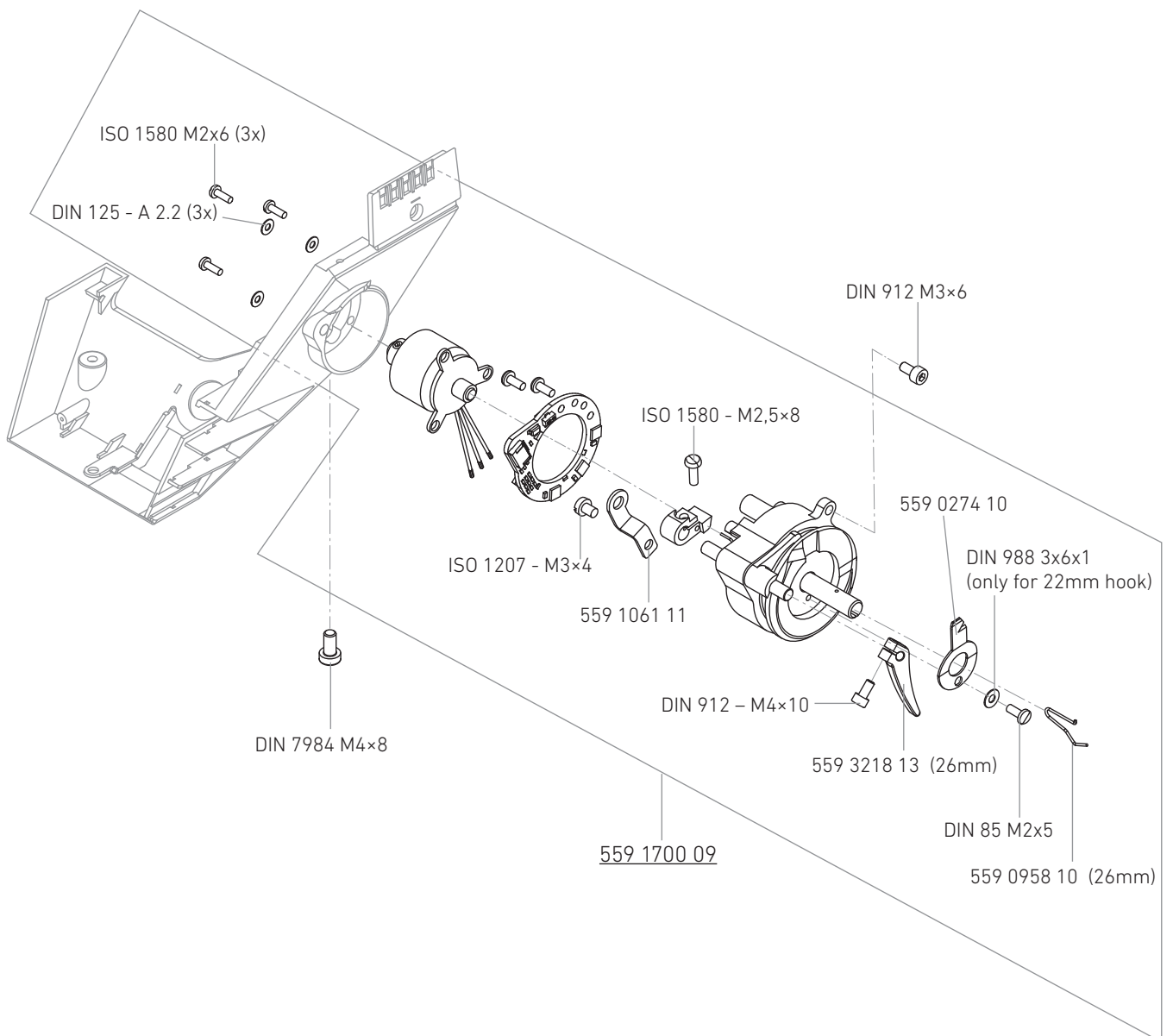
01. HEAD MODULE

03. HEAD ELECTRONICS ASSY & BOBBIN WINDER



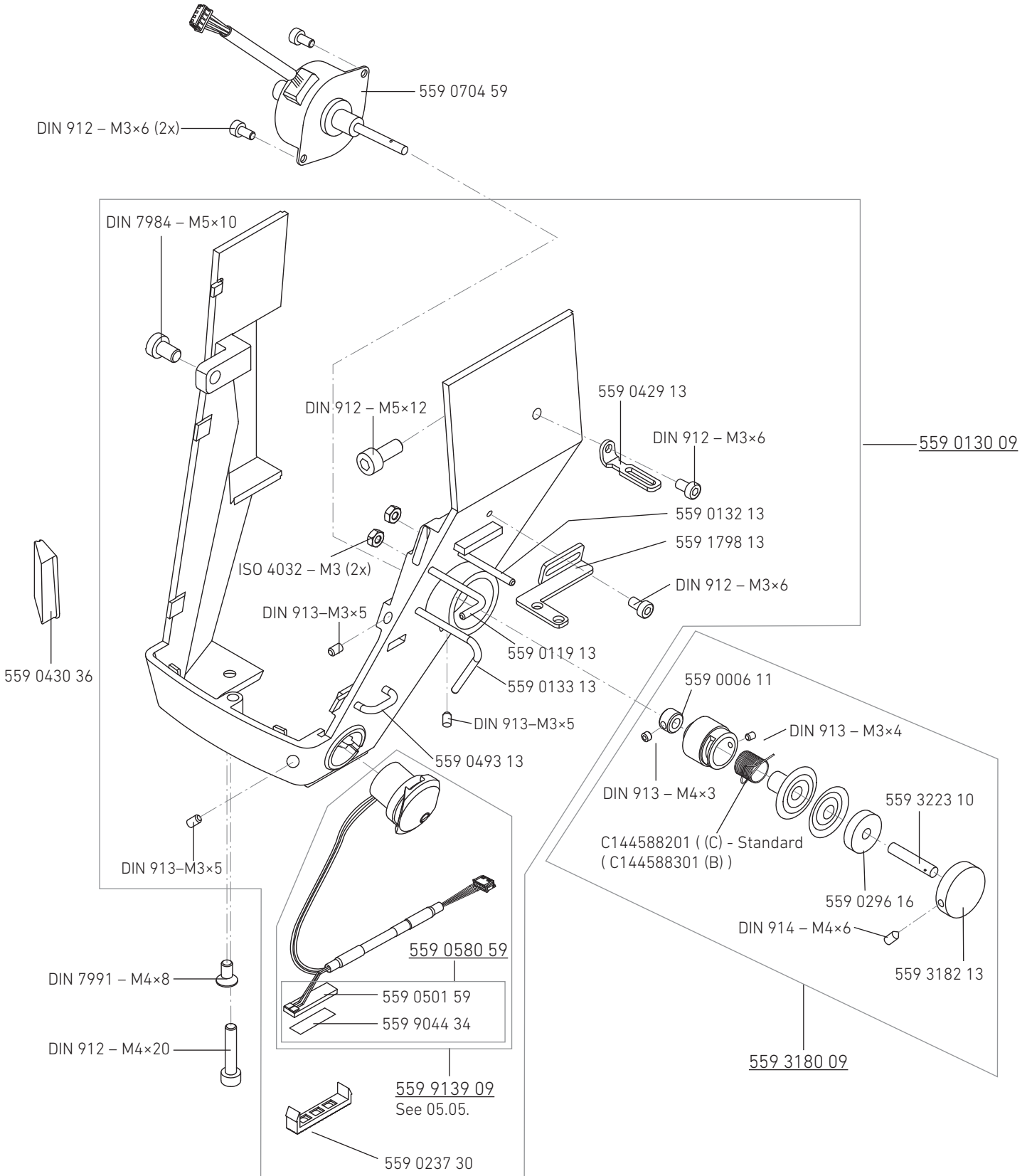
01. HEAD MODULE

04. BOBBIN WINDER



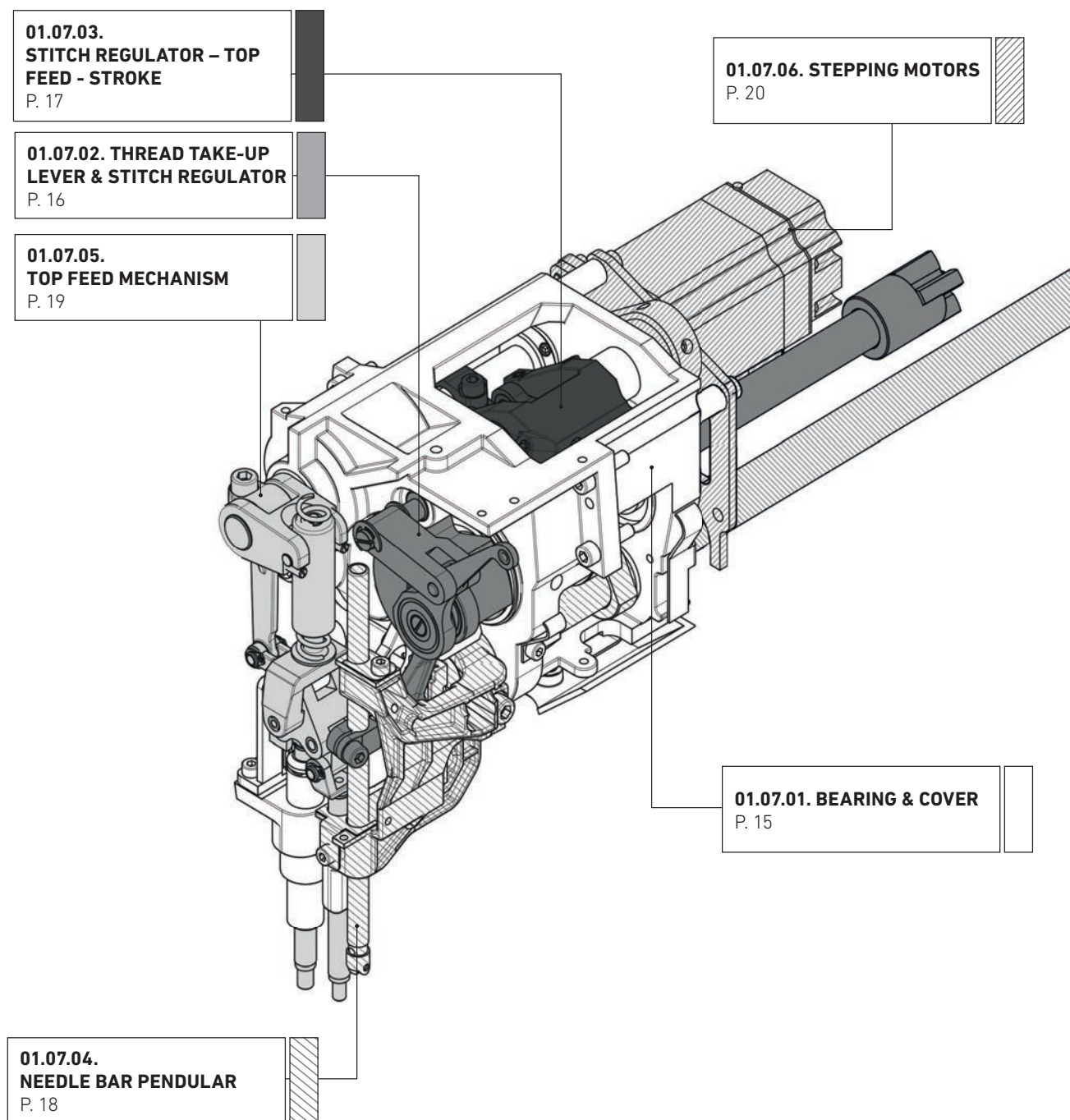
01. HEAD MODULE

05. THREAD GUIDE ASSY



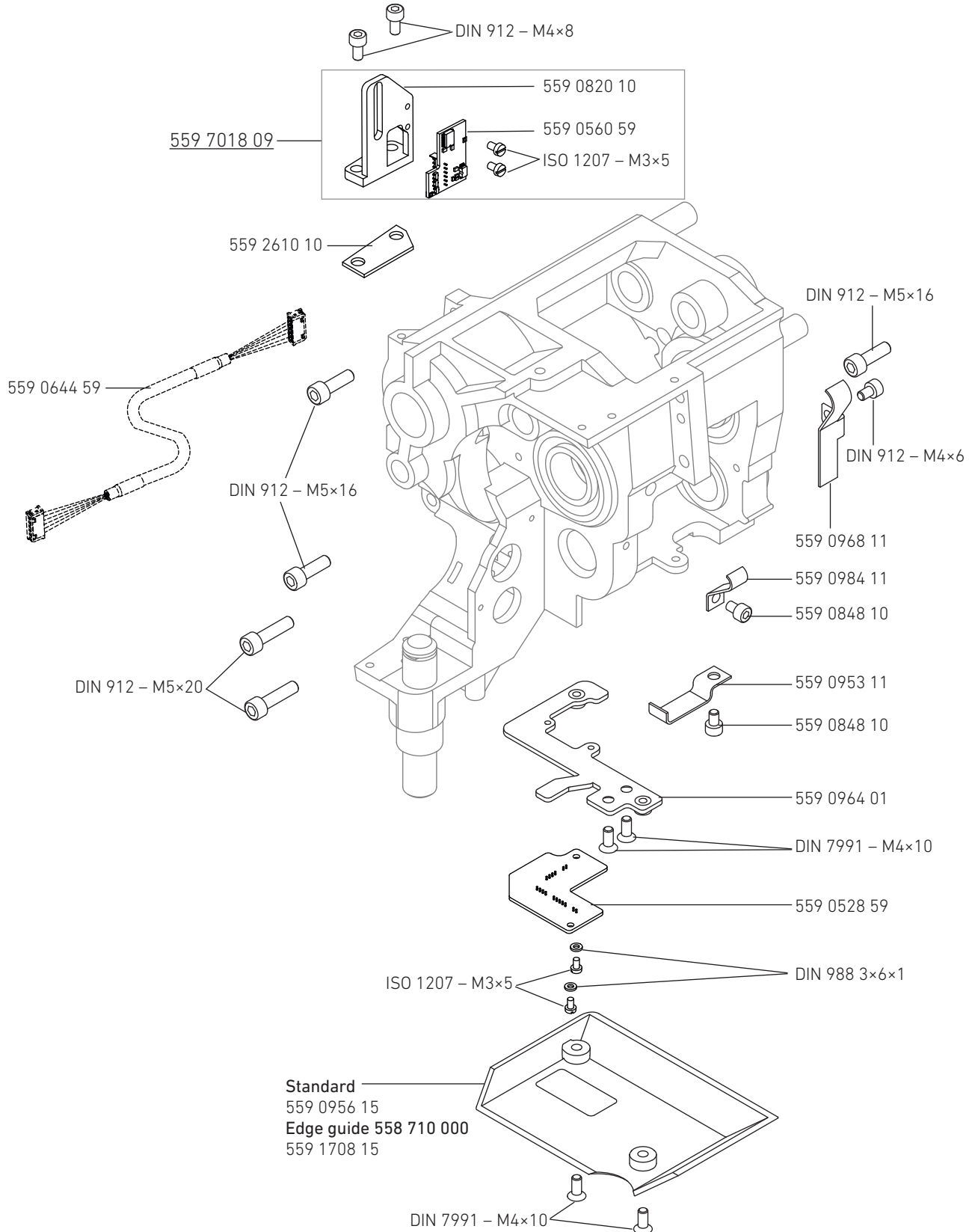
01. HEAD MODULE

07. INNER PARTS – OVERVIEW



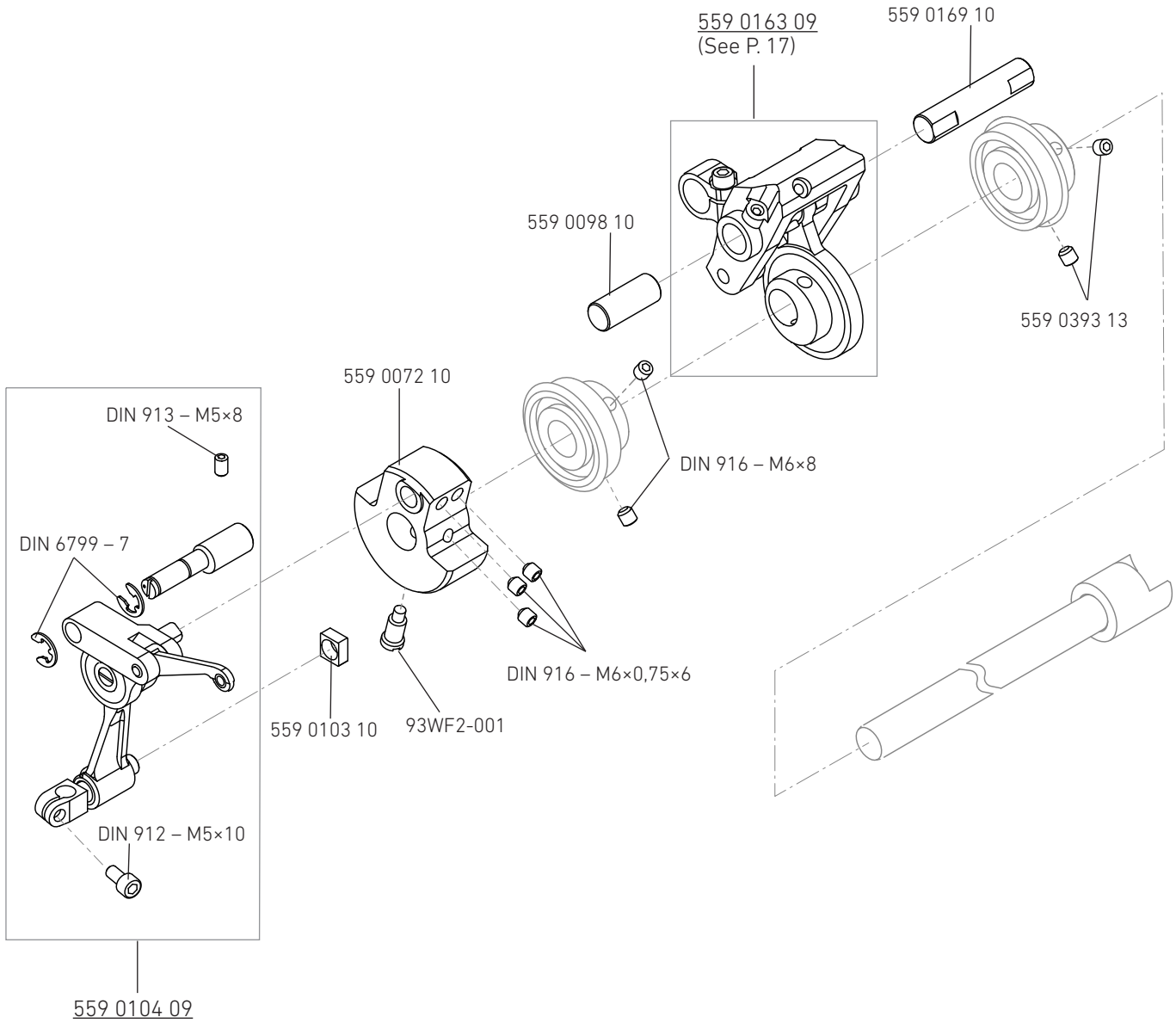
01. HEAD MODULE

07.01. BEARING & COVER



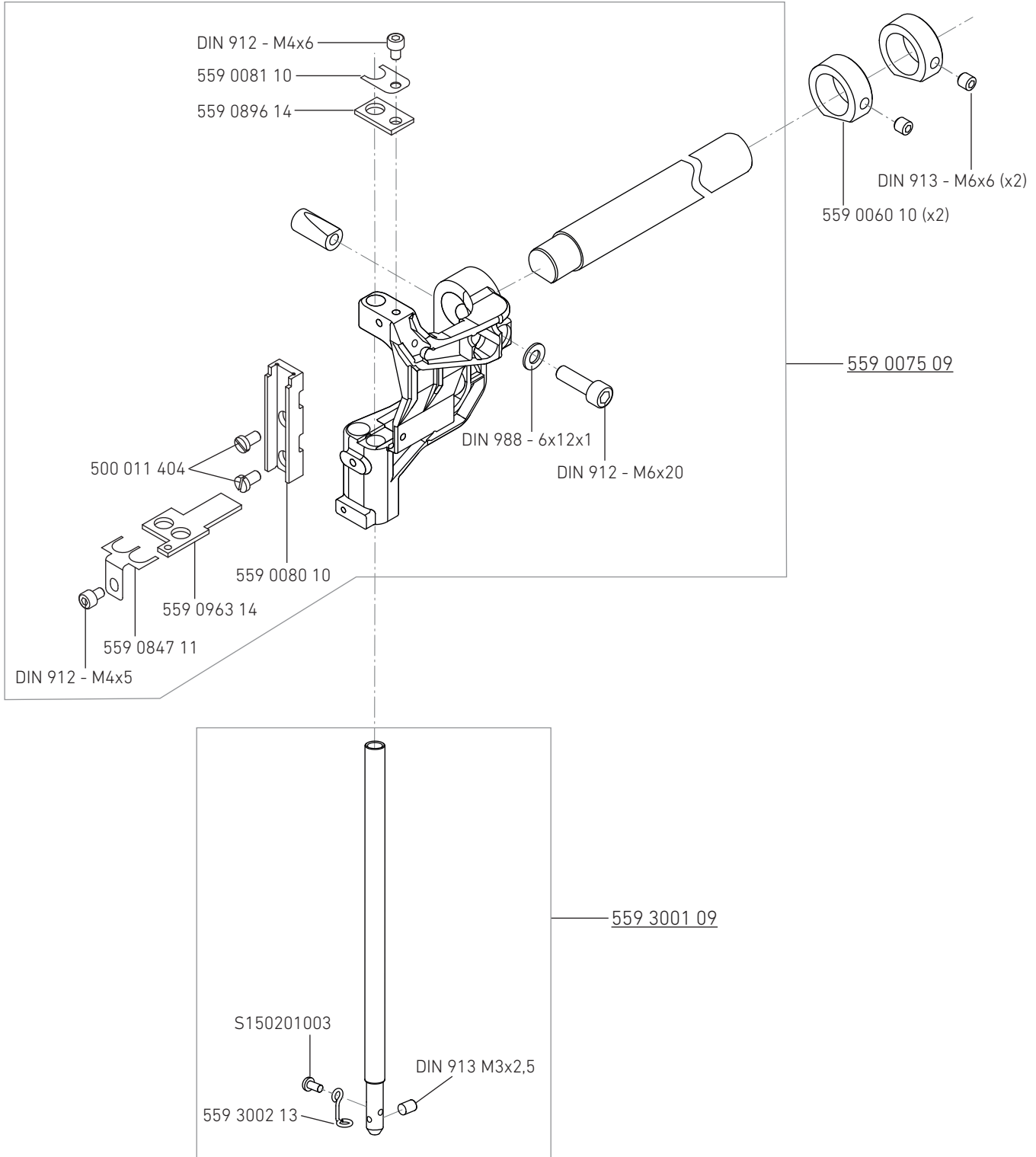
01. HEAD MODULE

07.02. THREAD TAKE-UP LEVER & STITCH REGULATOR



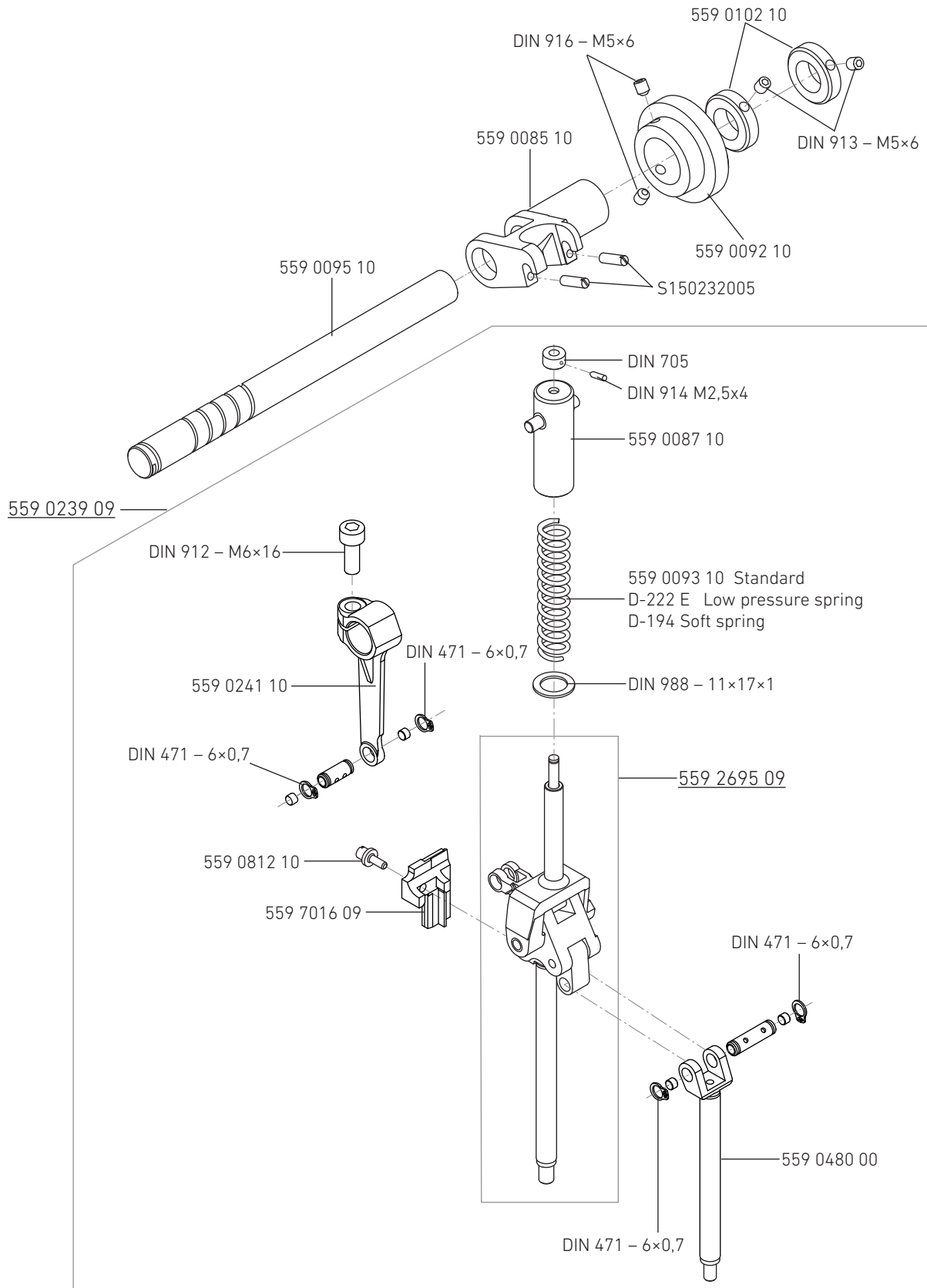
01. HEAD MODULE

07.04. NEEDLE BAR PENDULAR



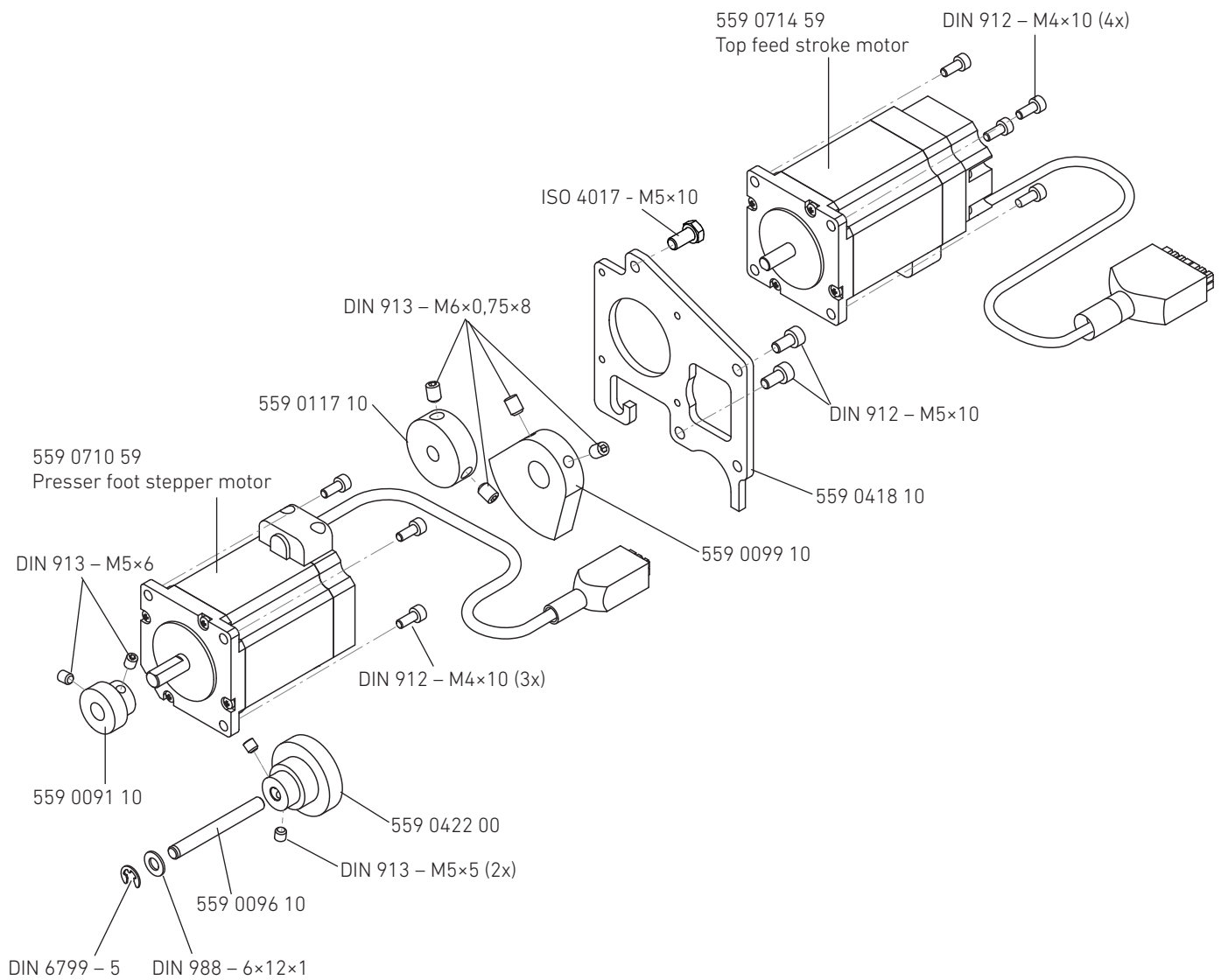
01. HEAD MODULE

07.05. TOP FEED MECHANISM



01. HEAD MODULE

07.06. STEPPING MOTORS



01. HEAD MODULE

08. PREVIOUS VERSIONS



NOTE!

These parts have been replaced by new designed parts. After the parts in stock have been used up, they will no longer be available.

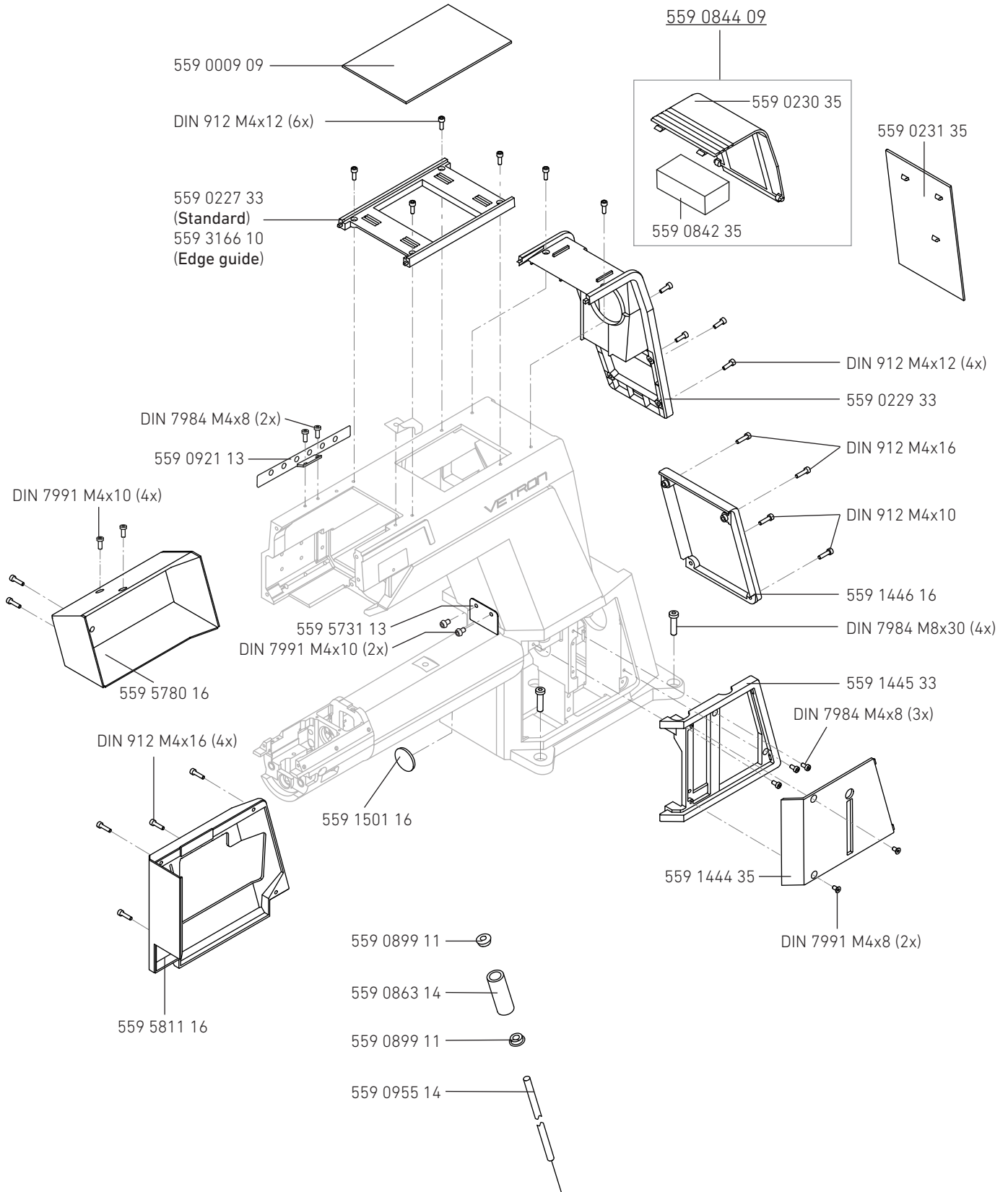
PREVIOUS VERSION	IS REPLACED BY

01. HEAD MODULE

24	01. MACHINE COVERS	<hr/>
25	02. ARM PLATES & COVERS	<hr/>
26	03. MAIN DRIVE OVERVIEW	<hr/>
27	03.01. MAIN DRIVE	<hr/>
28	03.02. STITCH LENGTH REGULATOR	<hr/>
29	03.03. CRANK ASSY	<hr/>
30	03.04. STITCH REGULATOR – ASSY	<hr/>
31	03.05. FEED MECHANISM	<hr/>
32	03.06. HOOK DRIVE	<hr/>
33	03.07. HOOK ASSY - 559 5758 09	<hr/>
34	03.08. HOOK - 130.13.375	<hr/>
35	03.09. THREAD CUTTER ASSY	<hr/>
36	04. PREVIOUS VERSIONS	<hr/>

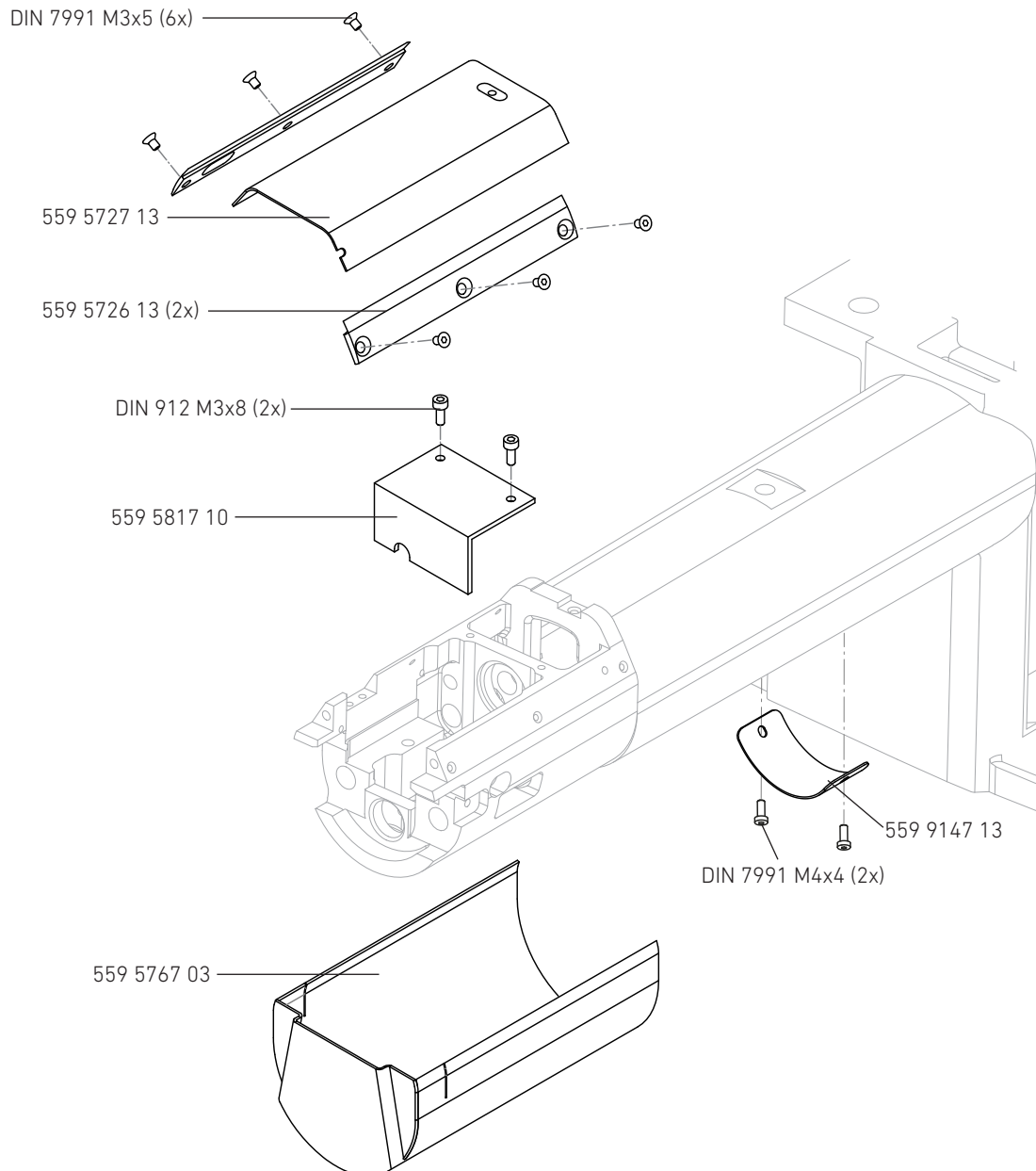
02. FRAME MODULE

01. MACHINE COVERS



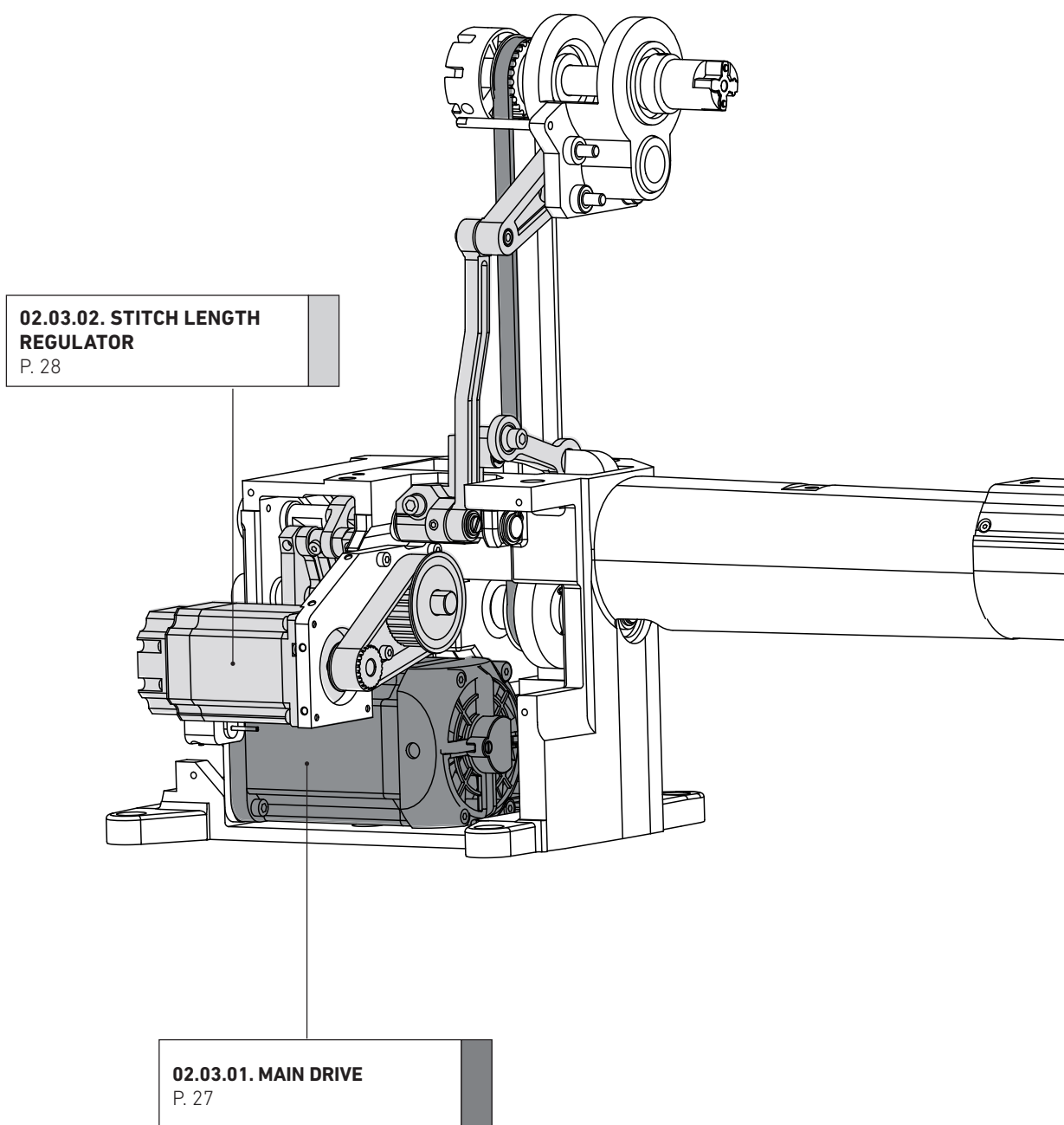
02. FRAME MODULE

02. ARM PLATES & COVERS



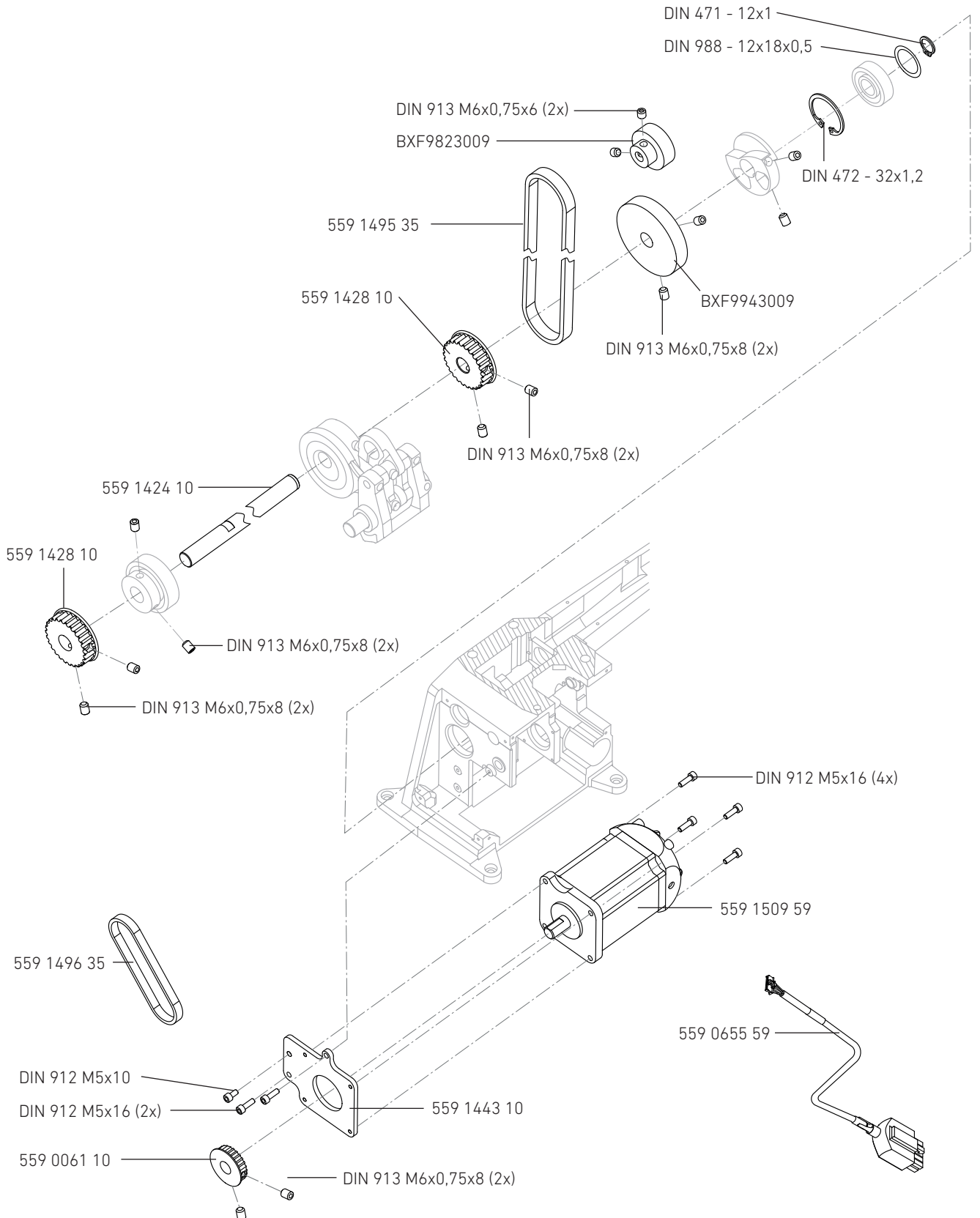
02. FRAME MODULE

03. MAIN DRIVE OVERVIEW



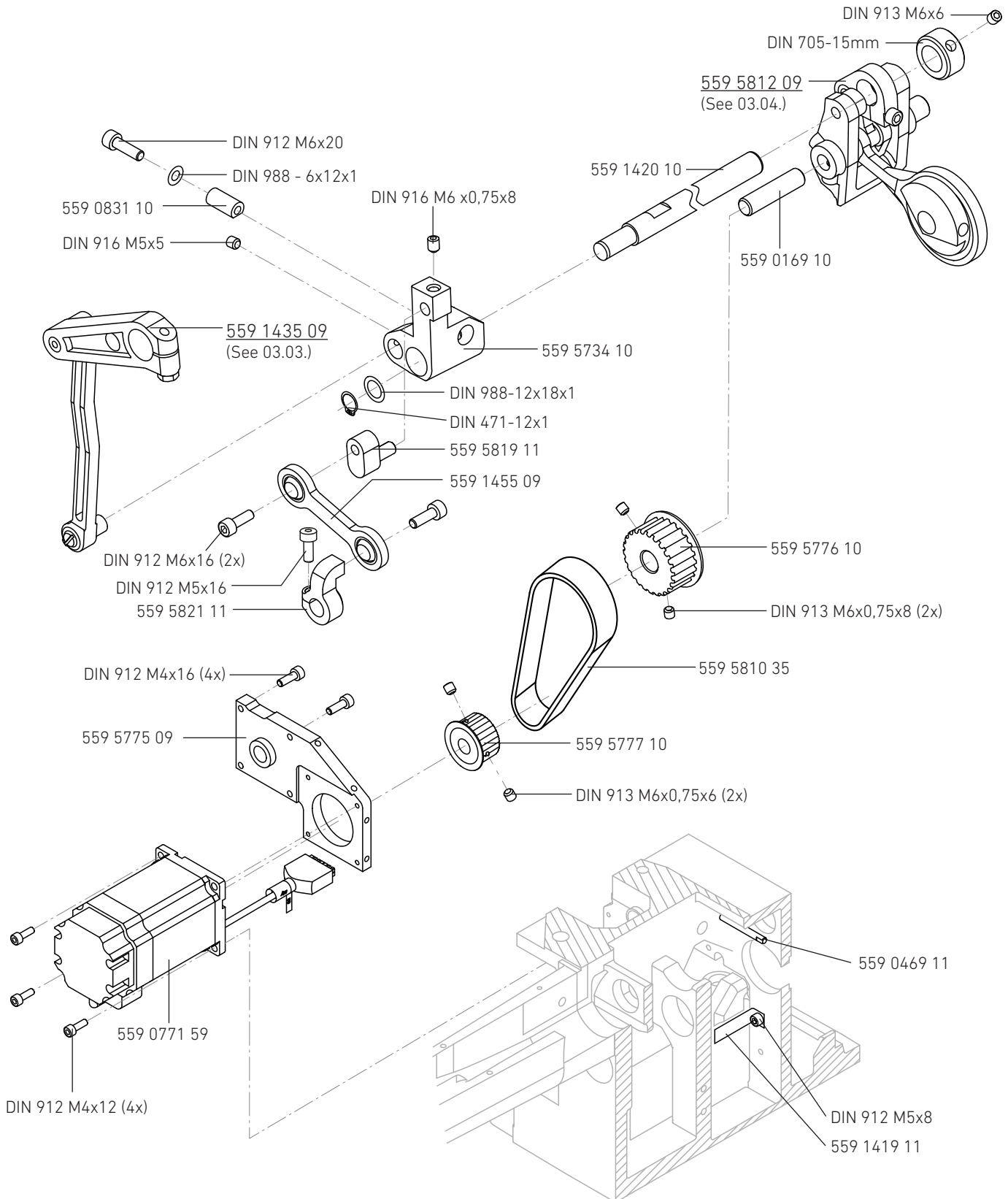
02. FRAME MODULE

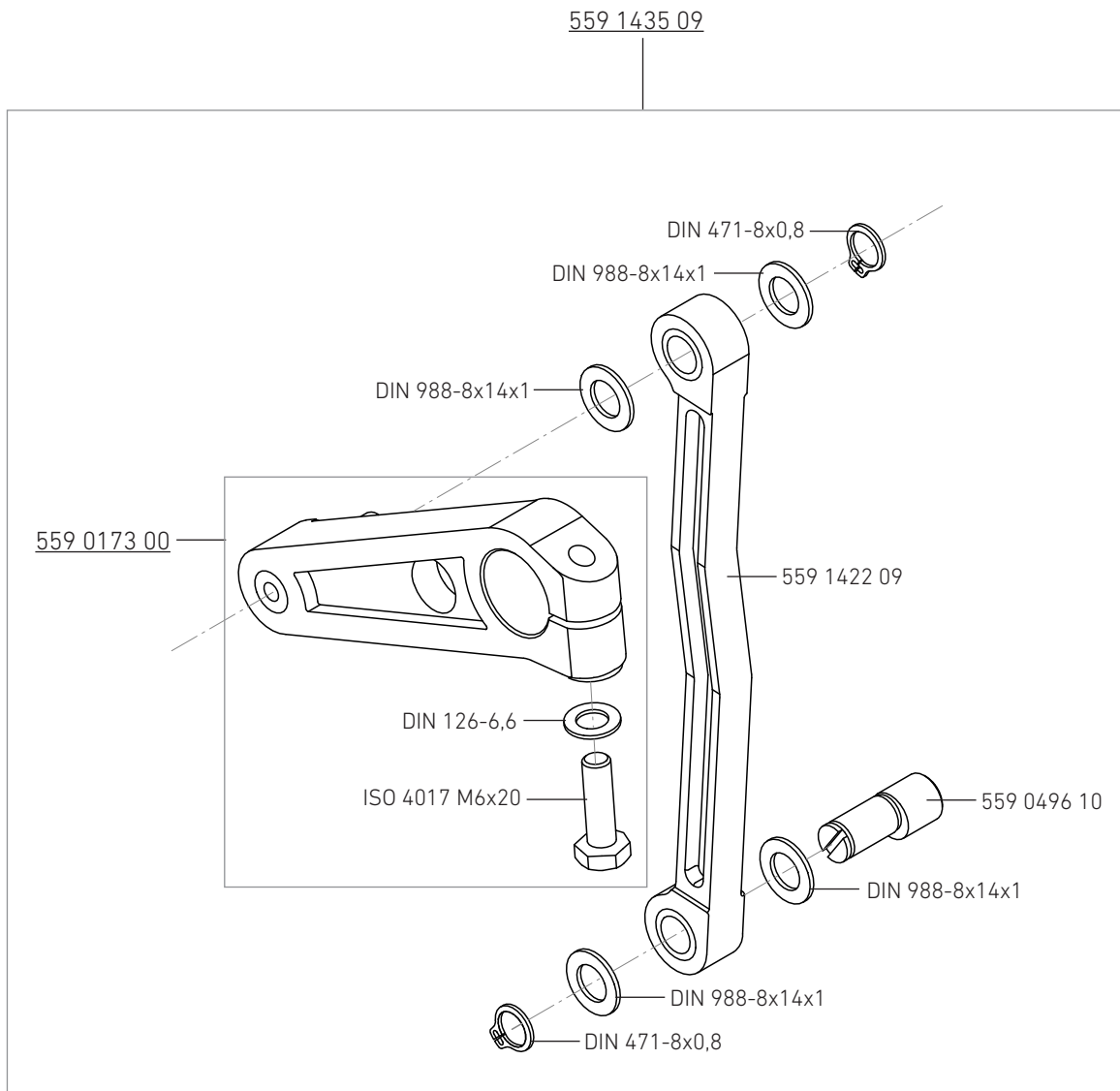
03.01. MAIN DRIVE



02. FRAME MODULE

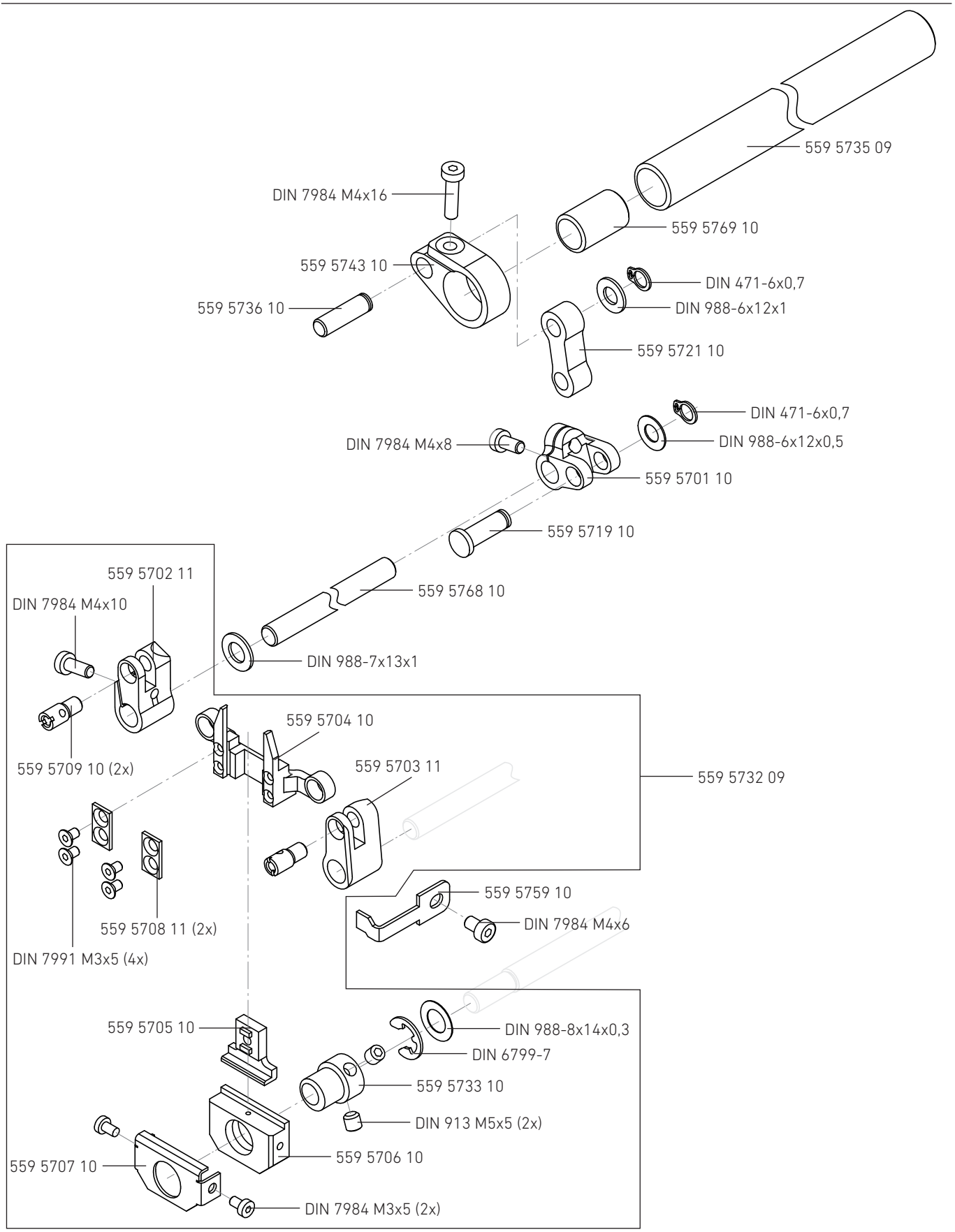
03.02. STITCH LENGTH REGULATOR





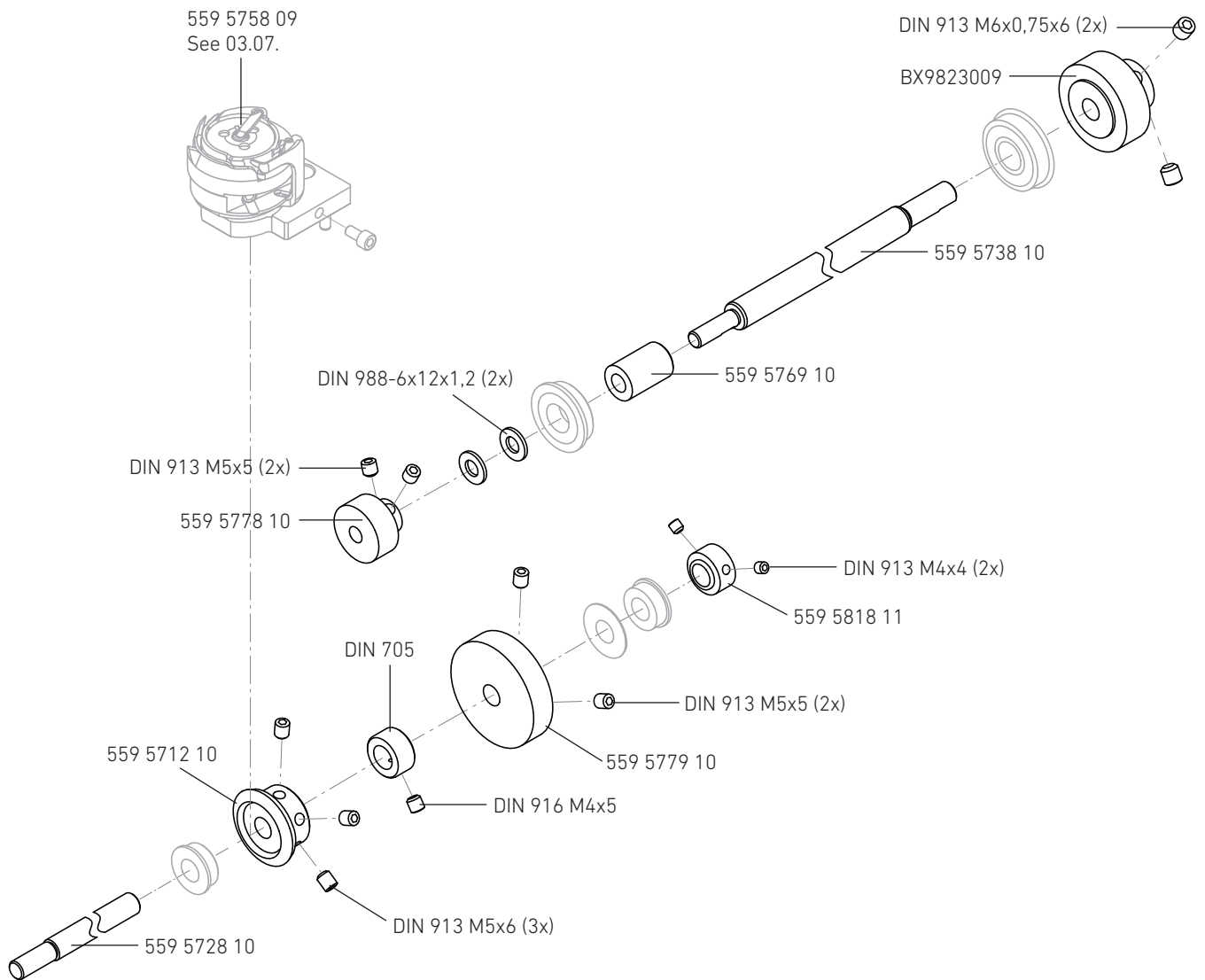
02. FRAME MODULE

03.05. FEED MECHANISM



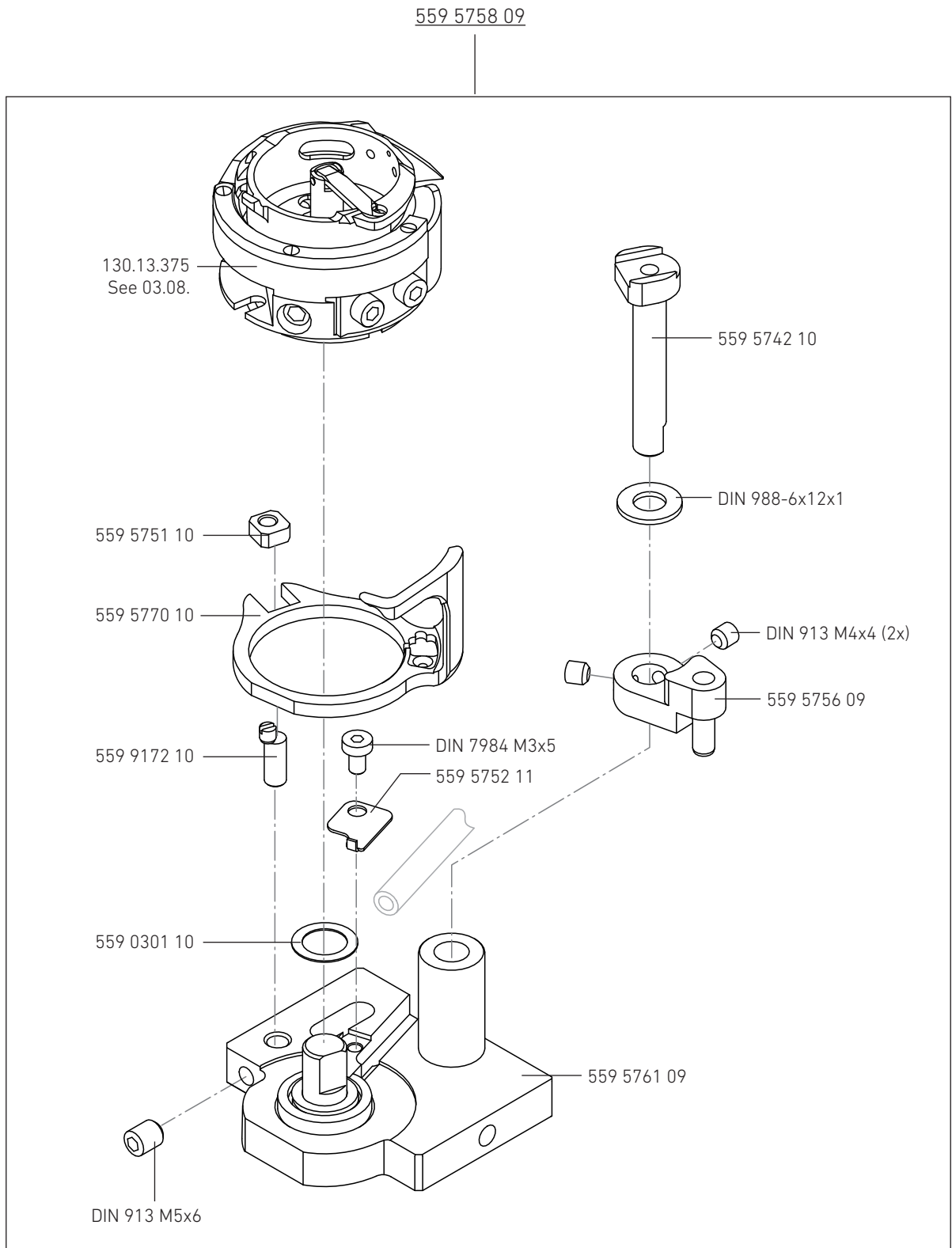
02. FRAME MODULE

03.06. HOOK DRIVE



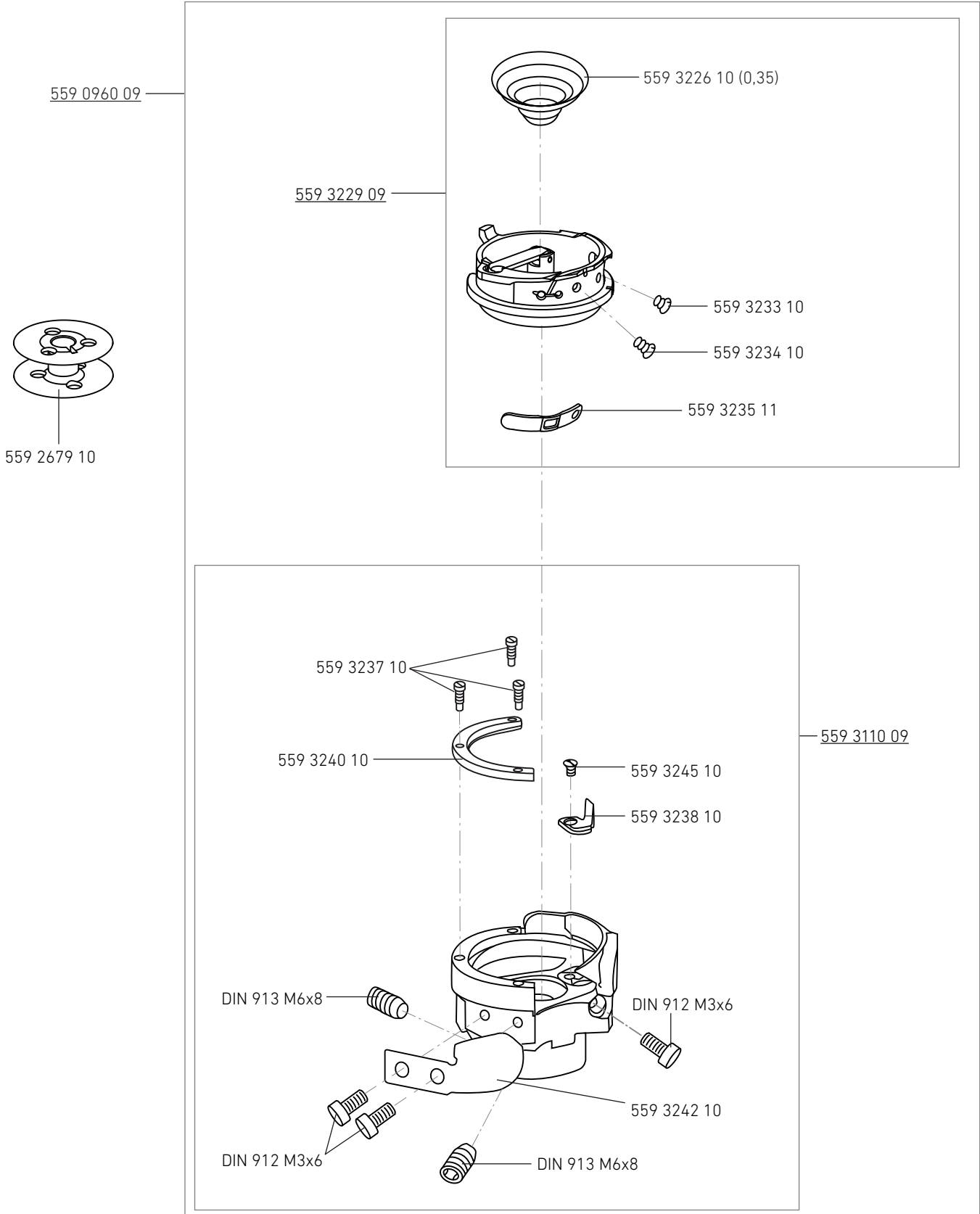
02. FRAME MODULE

03.07. HOOK ASSY - 559 5758 09



02. FRAME MODULE

03.08. HOOK



02. FRAME MODULE

04. PREVIOUS VERSIONS



NOTE!

These parts have been replaced by new designed parts. After the parts in stock have been used up, they will no longer be available.

PREVIOUS VERSION	IS REPLACED BY

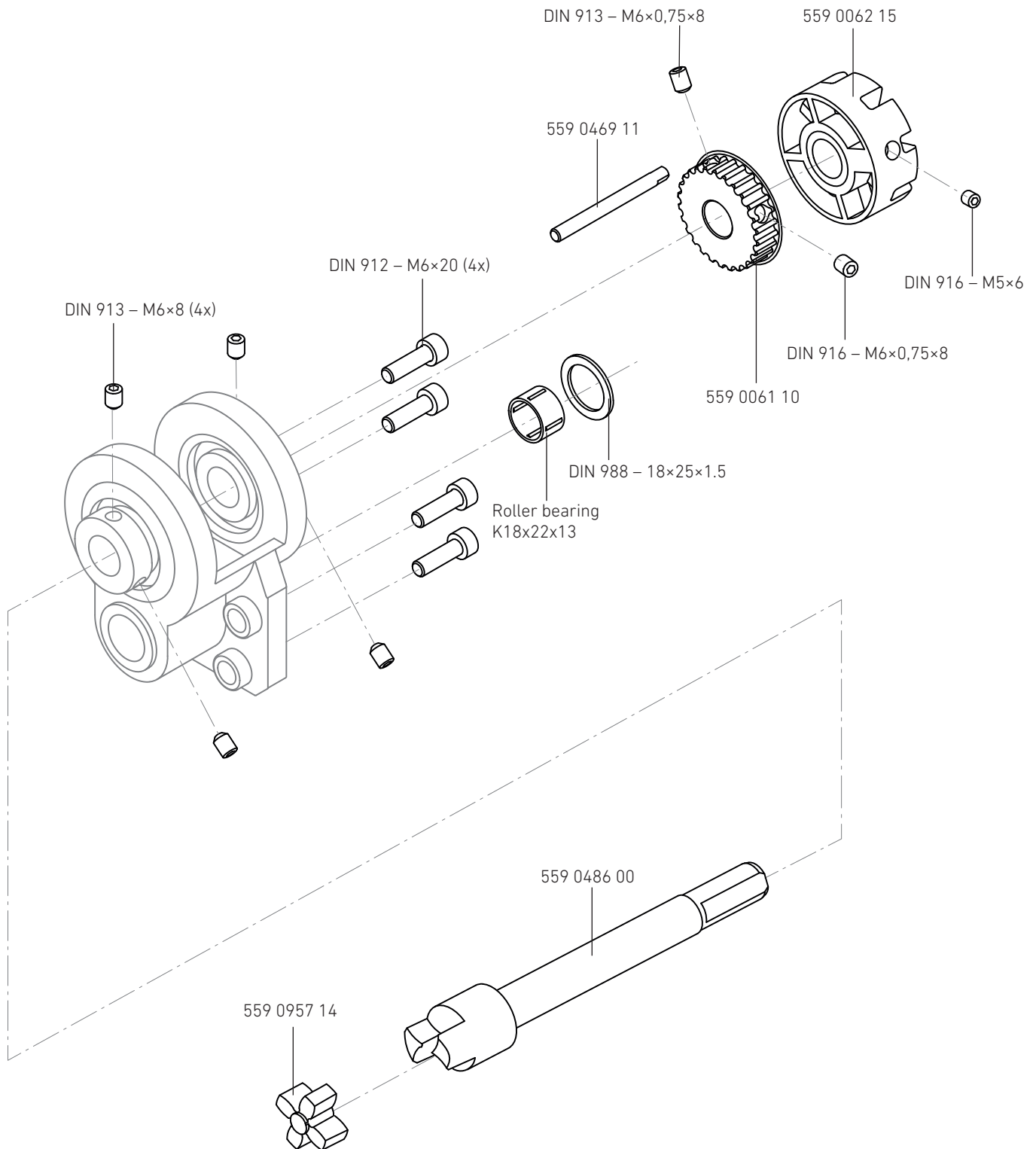
03. HANDWHEEL MODULE

557 410 000

38 01. HANDWHEEL PARTS

03. HANDWHEEL MODULE

01. HANDWHEEL PARTS



04. LUBRICATION

40 **01.** HEAD & HOOK

41 **02.** OIL TANK

42 **03.** OIL PUMP

04. LUBRICATION

01. HEAD & HOOK

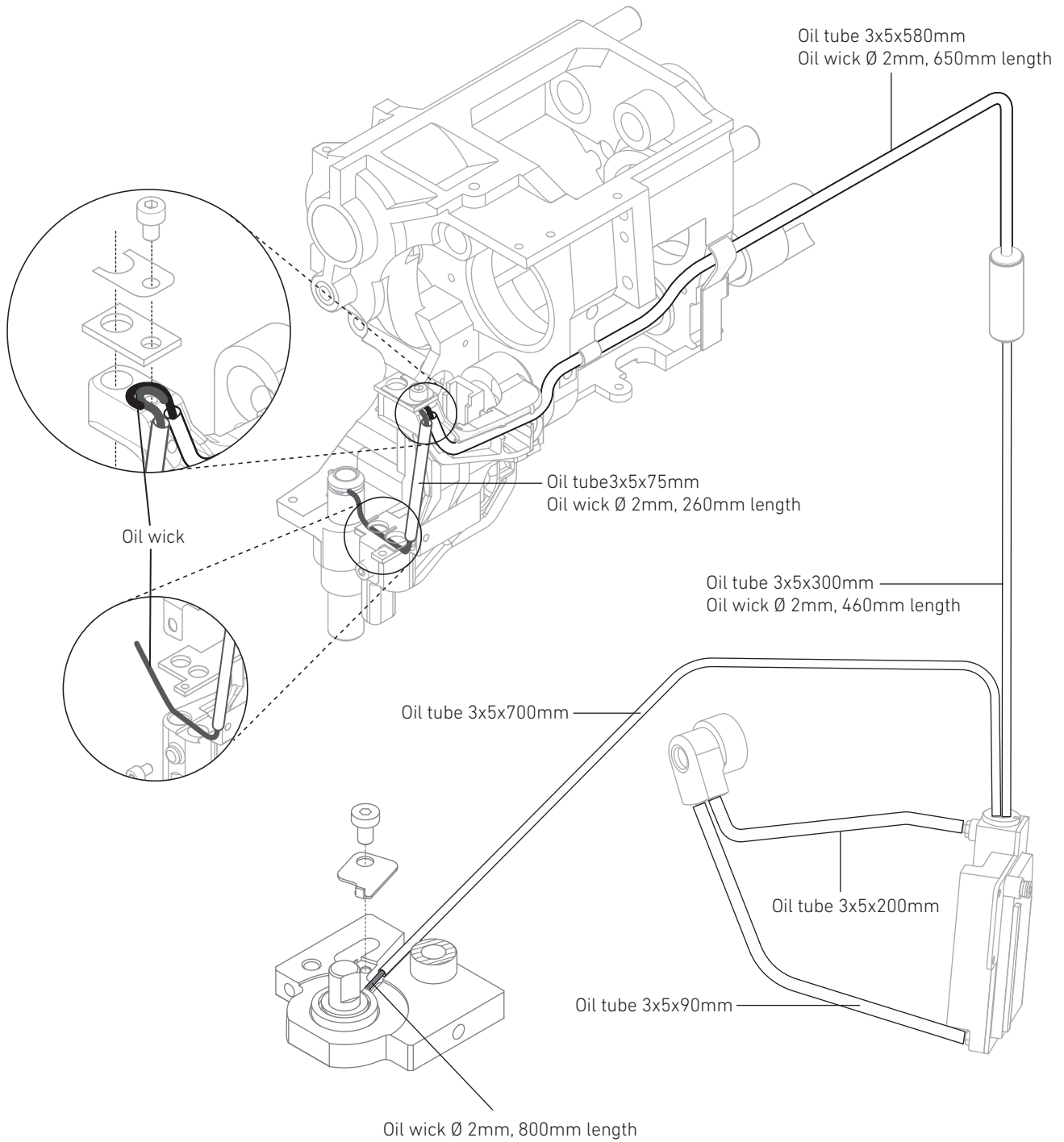


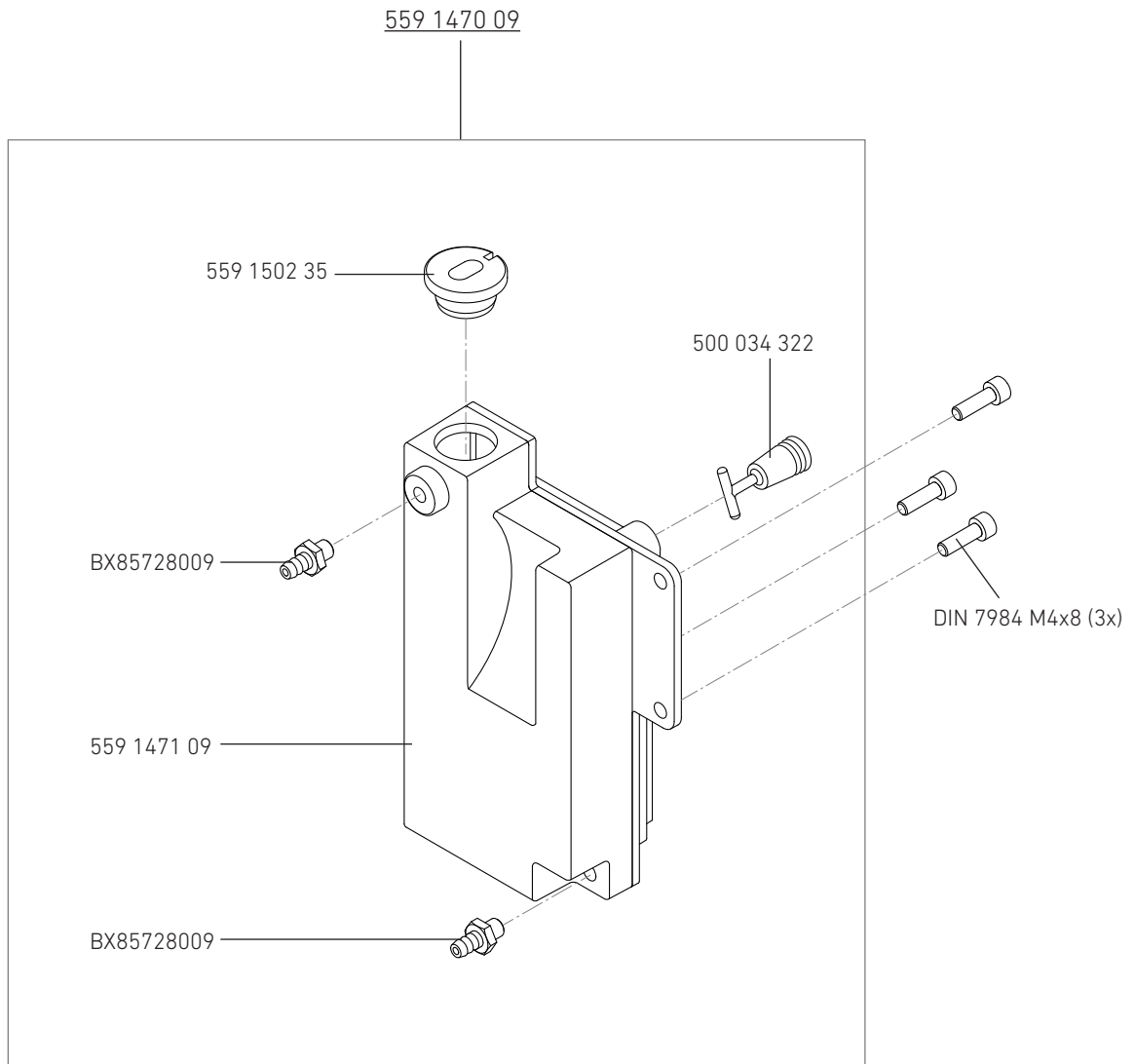
NOTE!

Oil tubes and oil wick can only be **ordered by the meter!**

Oil tube 3x5 : 559 3107 34

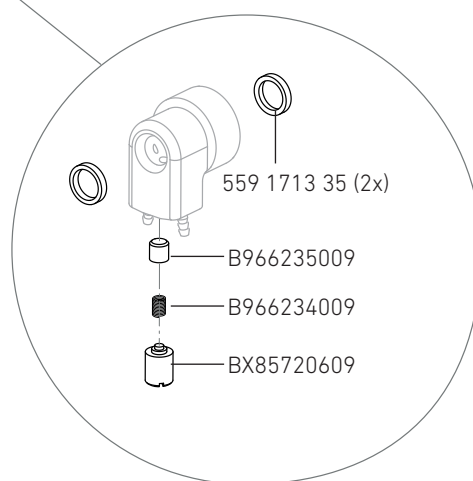
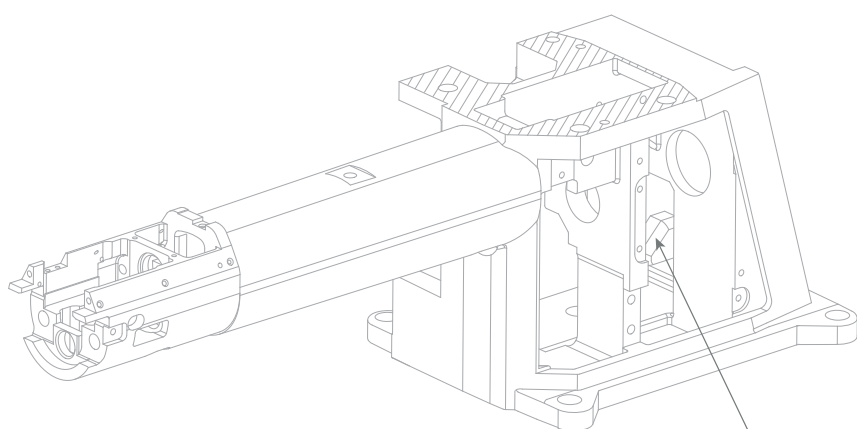
Oil wick : Ø 2mm 559 3109 34





04. LUBRICATION

03. OIL PUMP

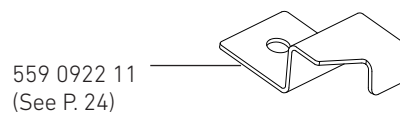
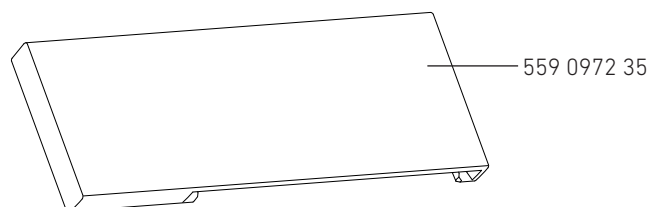


05. ELECTRONIC PARTS SEWING

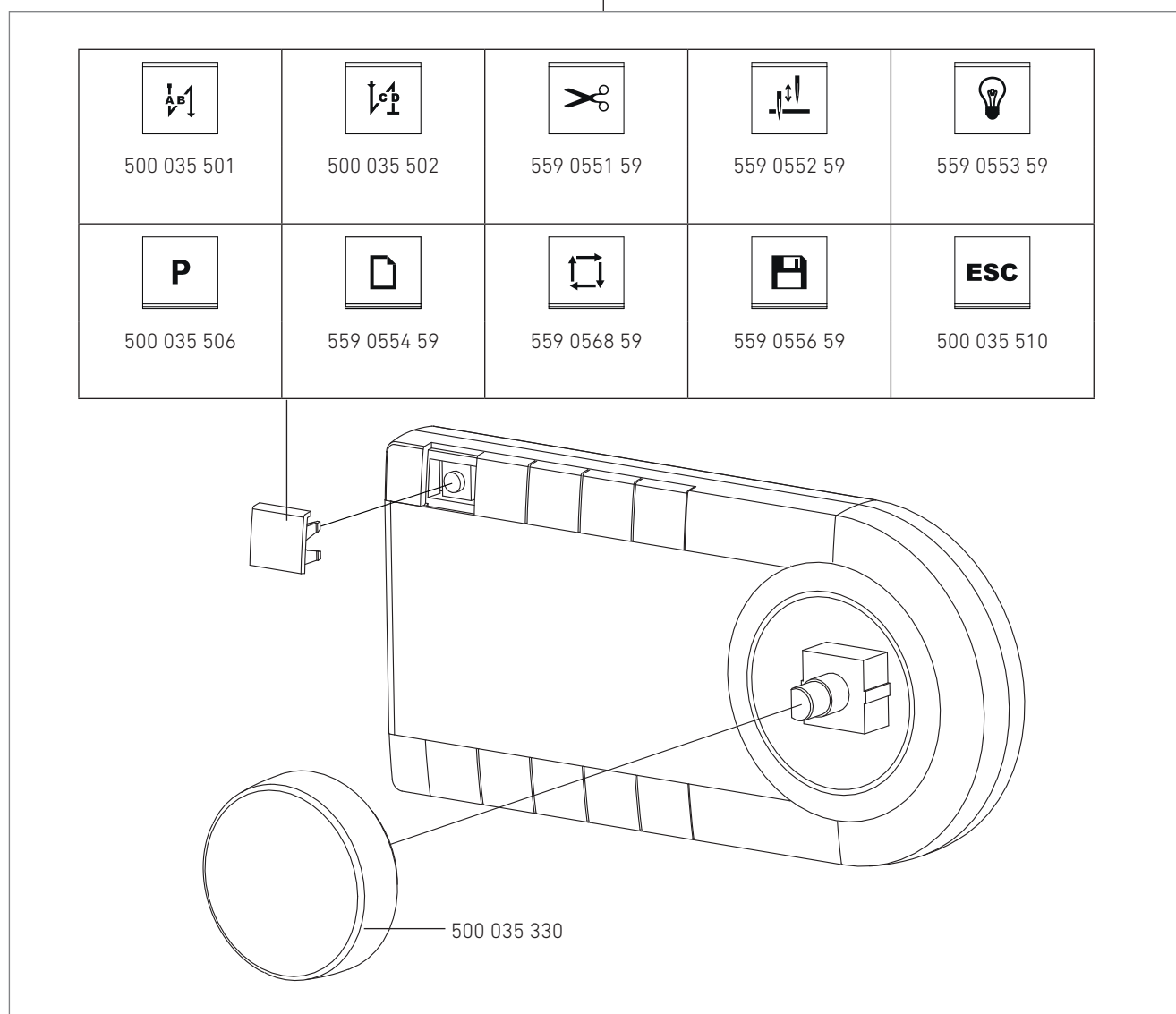
44	01. PANEL
45	02. CONTROL BOX & SETPOINT DEVICE
46	03. BACK COVER CONTROL BOX
47	04. CABLING HEAD PCB
48	05. CABLING

05. ELECTRONIC PARTS SEWING

01. PANEL

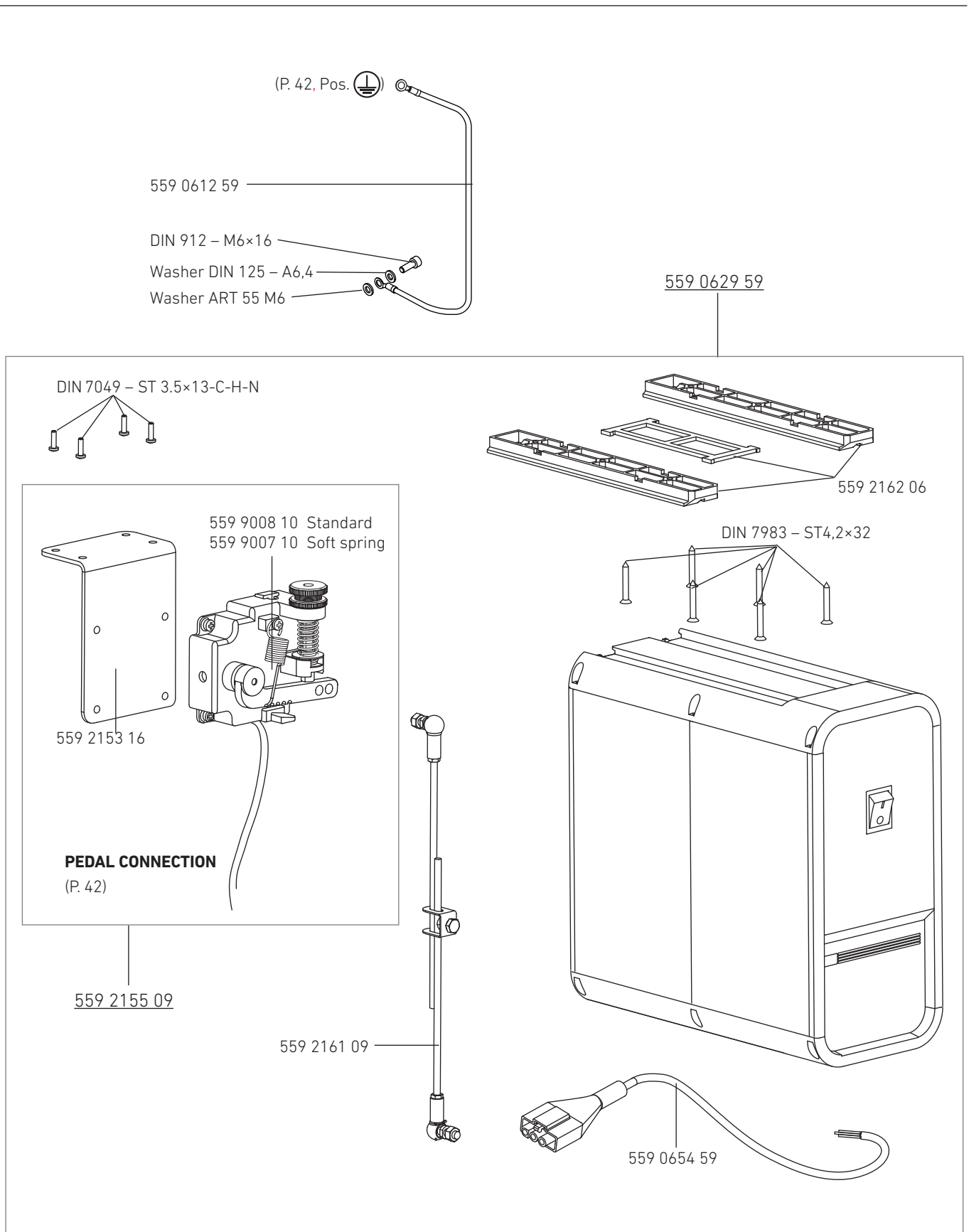


559 0641 59



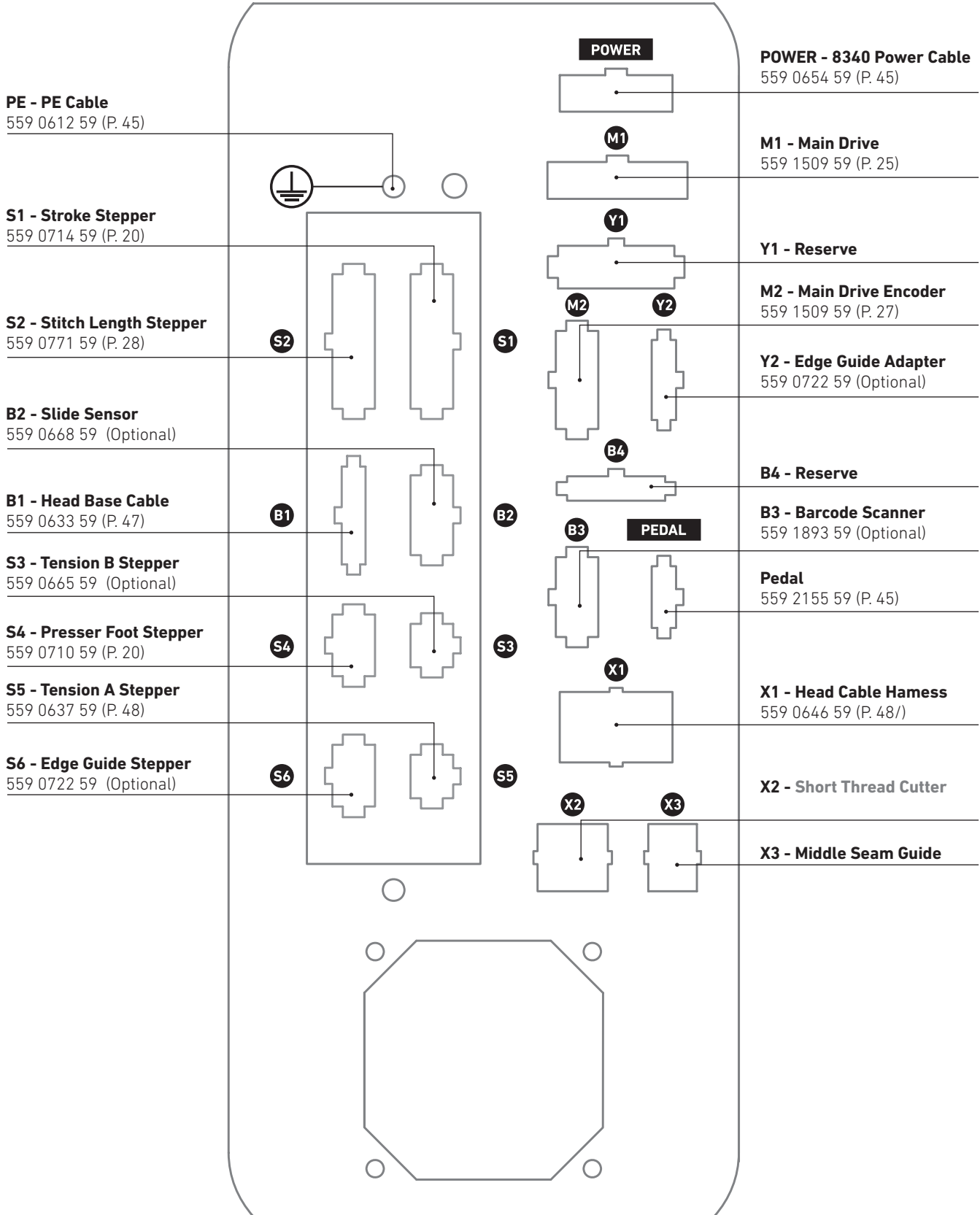
05. ELECTRONIC PARTS SEWING

02. CONTROL BOX & SETPOINT DEVICE



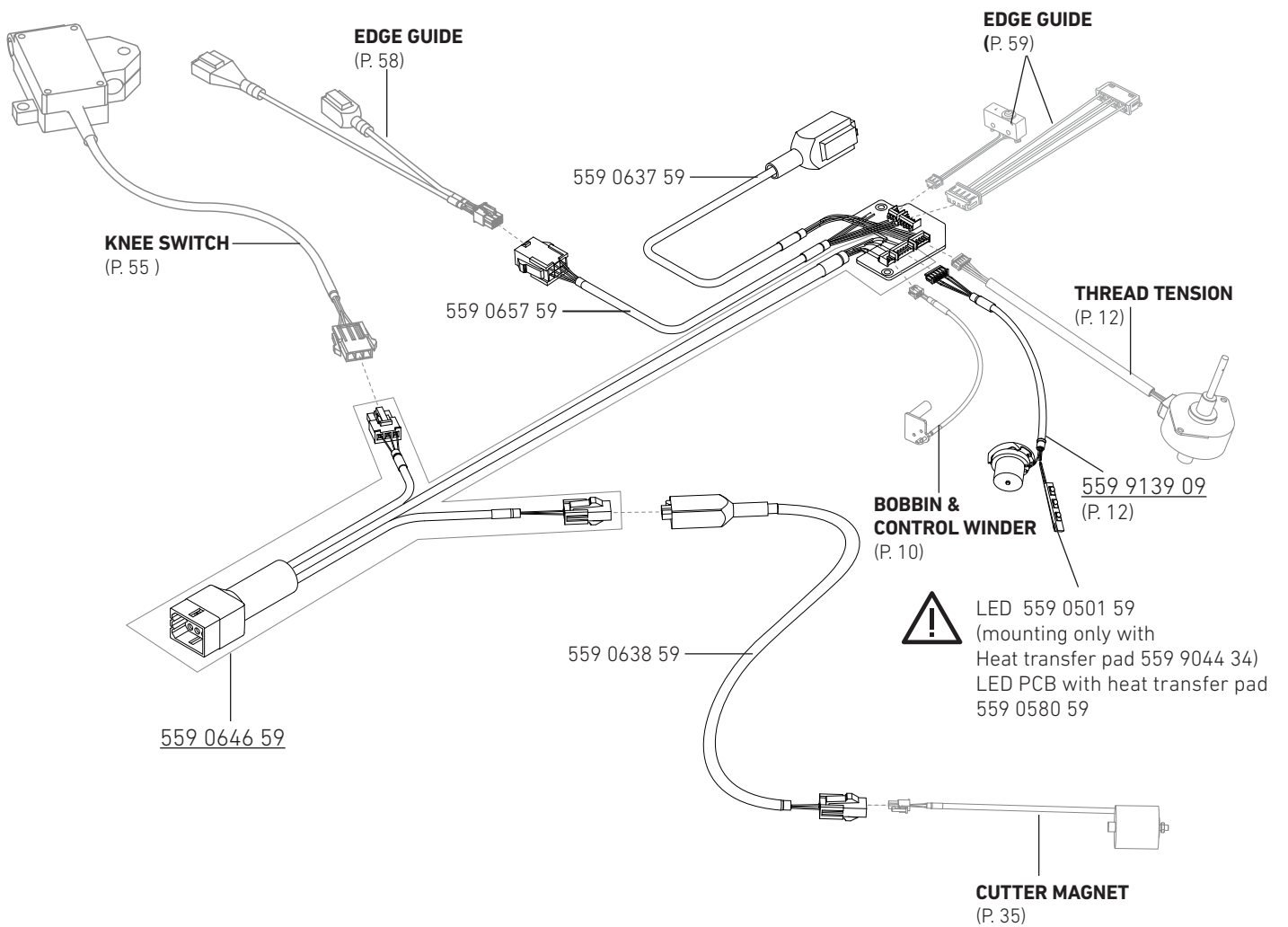
05. ELECTRONIC PARTS SEWING

03. BACK COVER CONTROL BOX



05. ELECTRONIC PARTS SEWING

05. CABLING

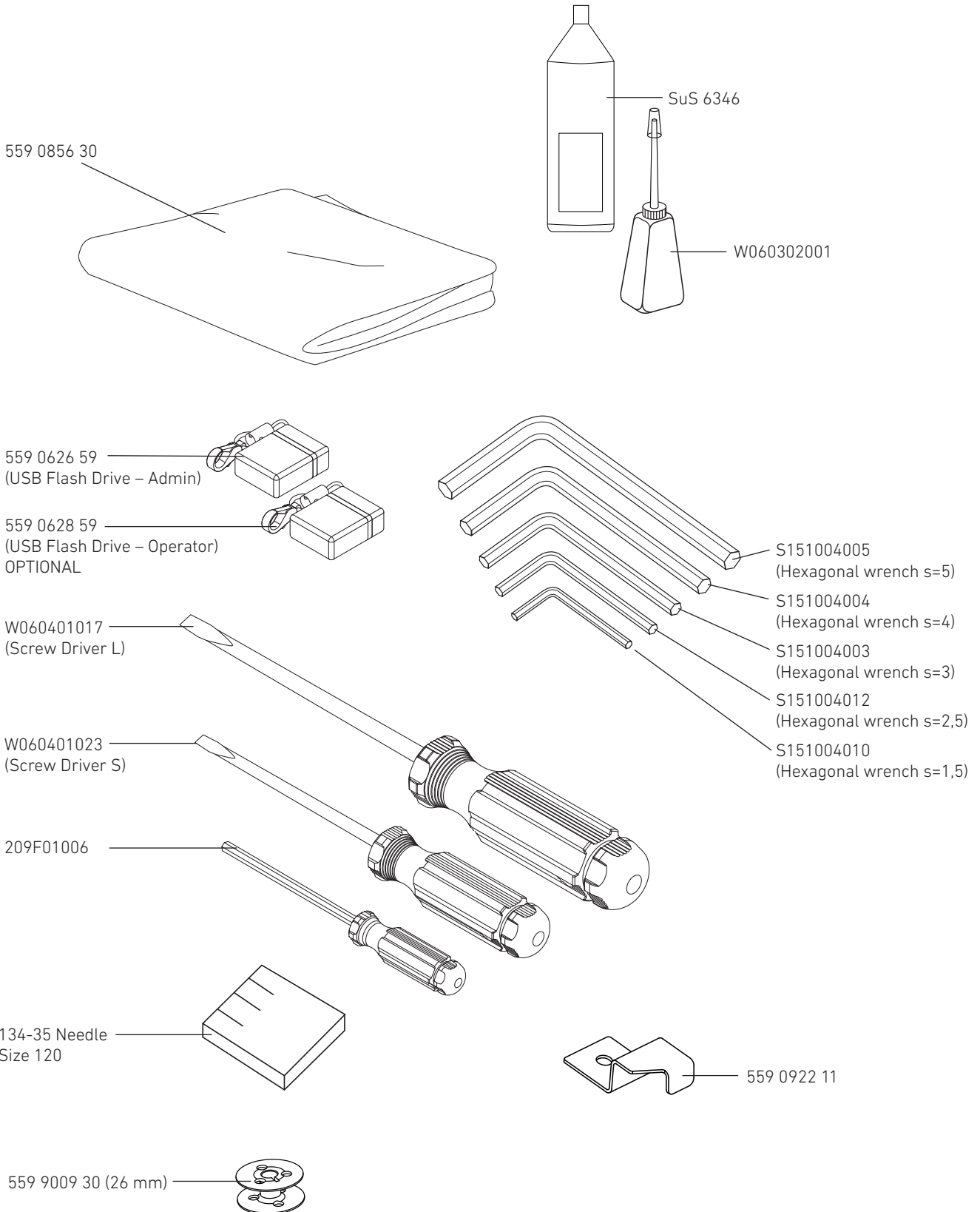


06. SEWING ACCESSORIES

50	01. ACCESSORIES
51	02. SERVICE KIT / ADJUSTMENT GAUGE
52	03. THREAD STAND
54	04. ADDITIONAL EQUIPMENT
58	04.04. ELECTRIC EDGE GUIDE - 558 710 000
59	04.05. HEIGHT ADJUSTABLE ELECTRIC EDGE GUIDE - 558 711 000
60	04.06. BINDER
61	04.07. EYE GUARD - 558 740 000
62	05. STICKERS
63	06. NEEDLE GAUGE PARTS

06. SEWING ACCESSORIES

01. ACCESSORIES

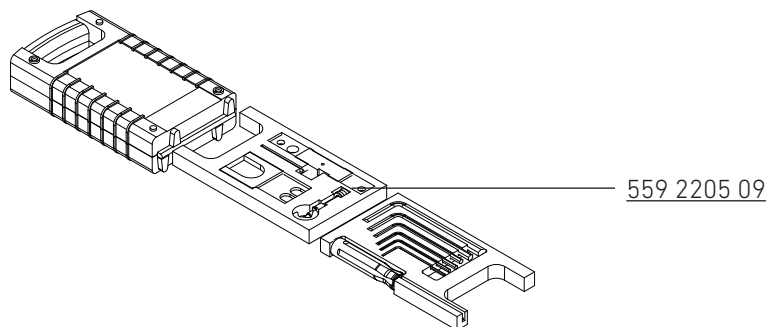


06. SEWING ACCESSORIES

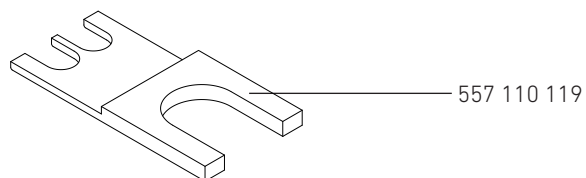
02. SERVICE KIT / ADJUSTMENT GAUGE

DESCRIPTION

SERVICE KIT



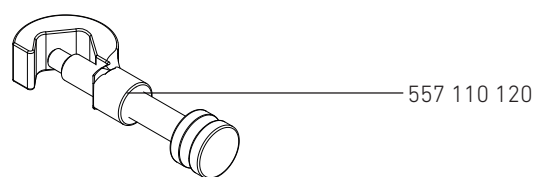
ADJUSTMENT GAUGE



PARALLEL PIN



CLAMP



06. SEWING ACCESSORIES

03. THREAD STAND

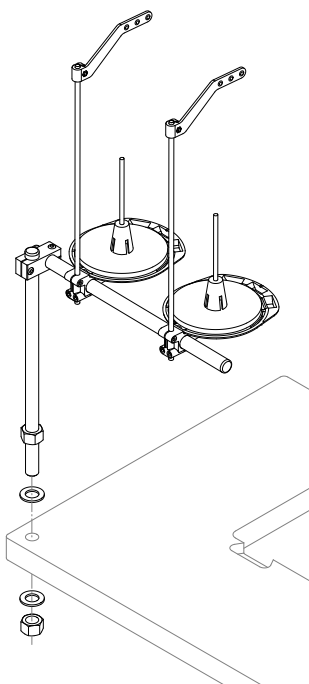
-1-2

NOTE!

To order individual parts, see next page.

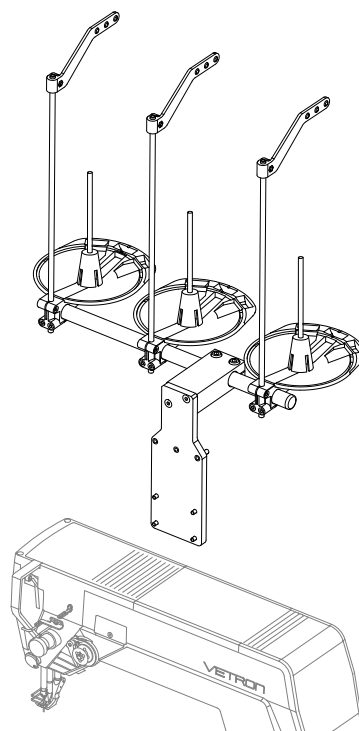
559 3640 09

Thread Stand



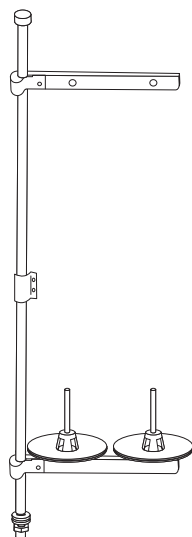
559 3642 09

Thread Stand / Mounting-Kit-Vetron



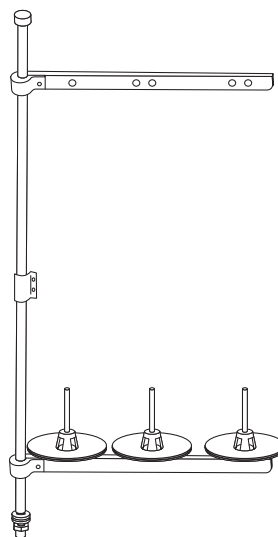
006F00030

Thread Stand / 2-Spools



1F-014

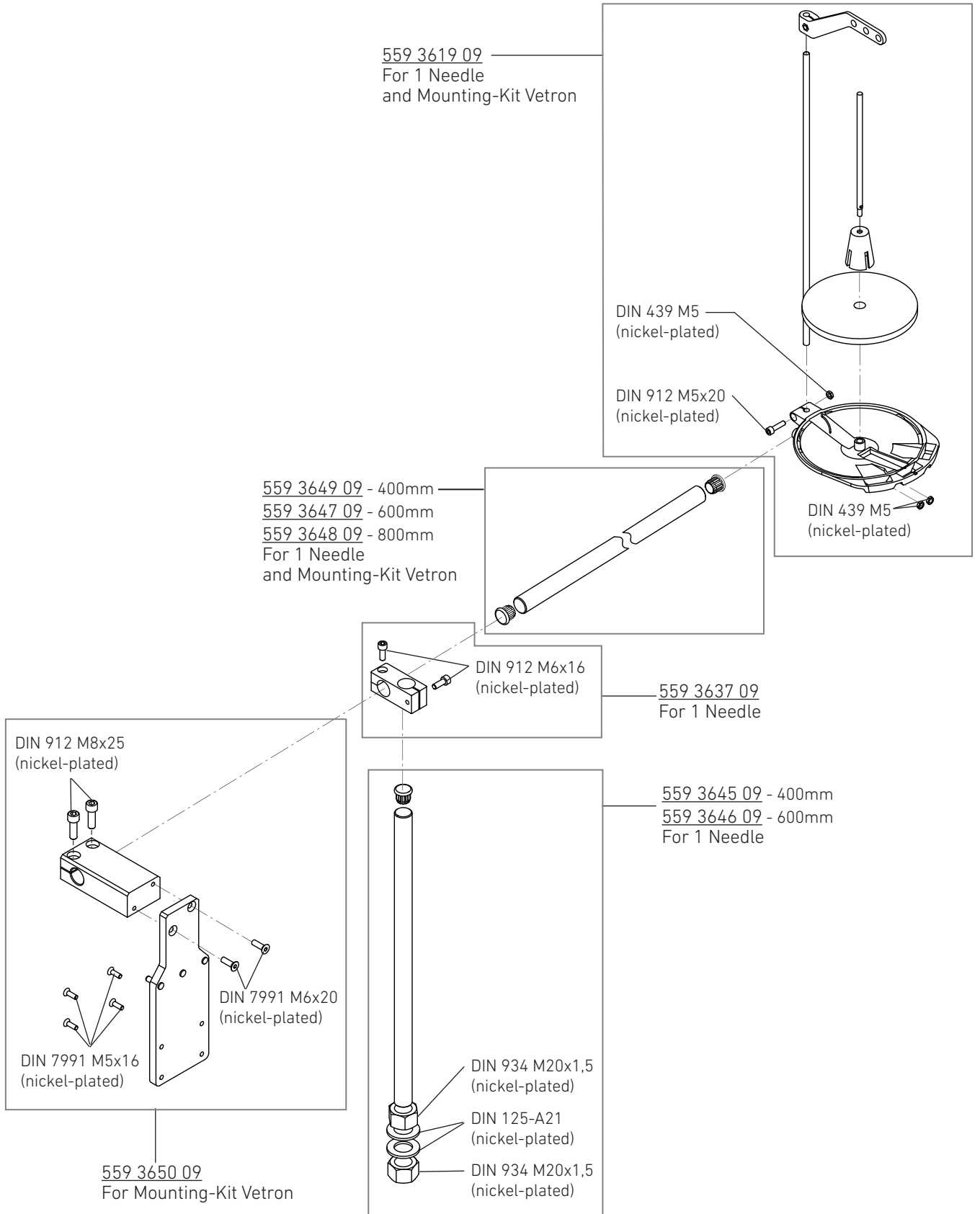
Thread Stand / 3-Spools



06. SEWING ACCESSORIES

03. THREAD STAND

-2-2

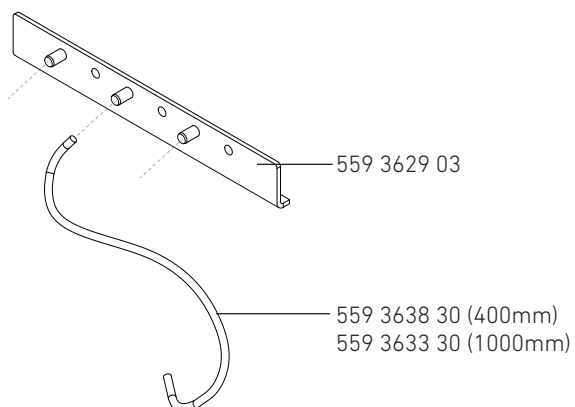


06. SEWING ACCESSORIES

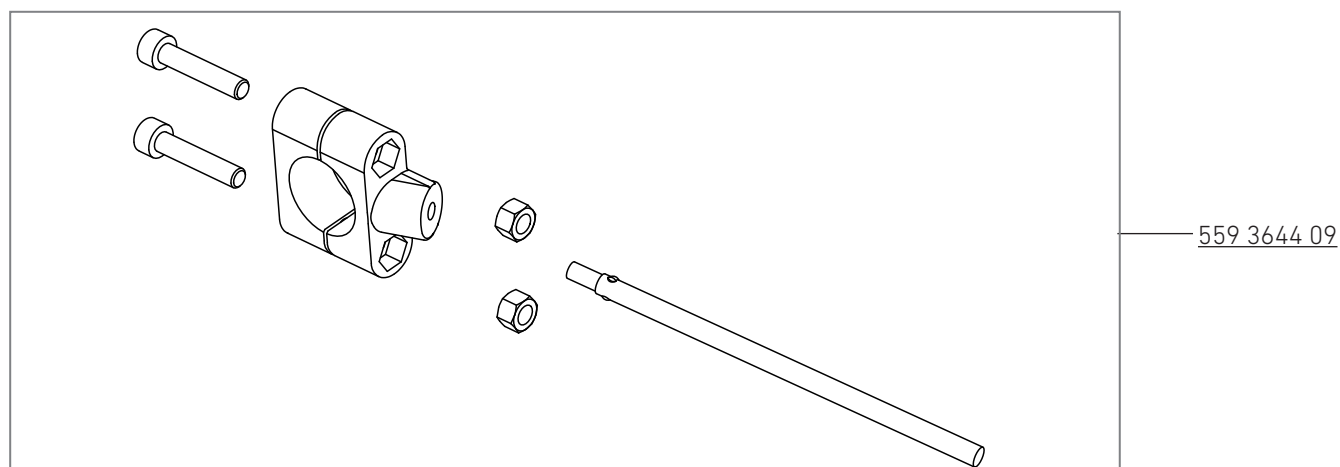
04. ADDITIONAL EQUIPMENT

DESCRIPTION

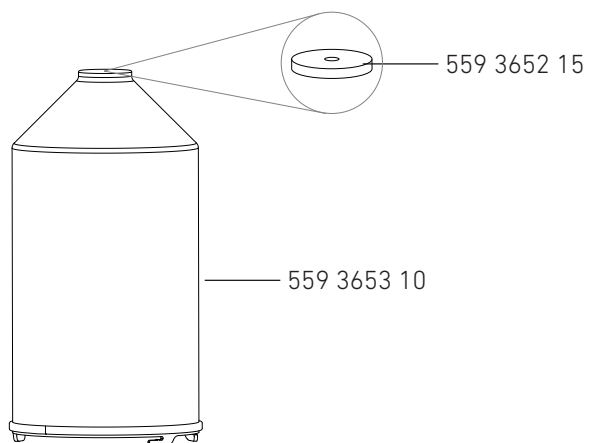
THREAD GUIDE WITH TUBE



SPINDLE SHAFT CLAMP (THREAD STAND)



COVER FOR THREAD-COPS (THREAD STAND)

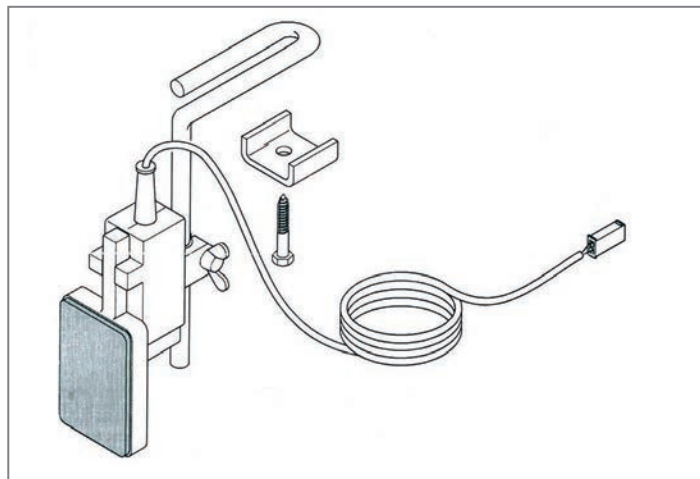


06. SEWING ACCESSORIES

04.01. ADDITIONAL EQUIPMENT

DESCRIPTION

KNEE SWITCH WITH CABLE



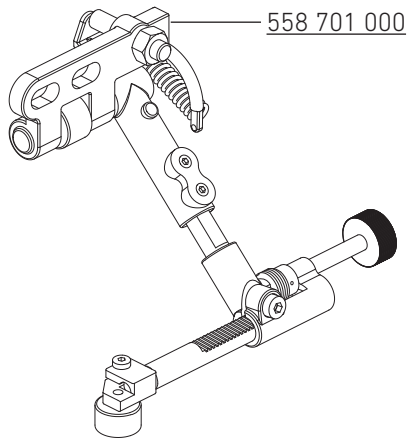
559 0699 59

06. SEWING ACCESSORIES

04.02. ADDITIONAL EQUIPMENT

DESCRIPTION

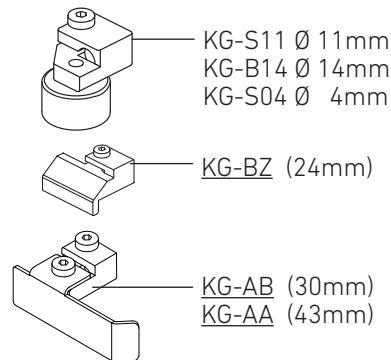
ROLLER & STRAIGHT GUIDE WITH FINE ADJUSTMENT



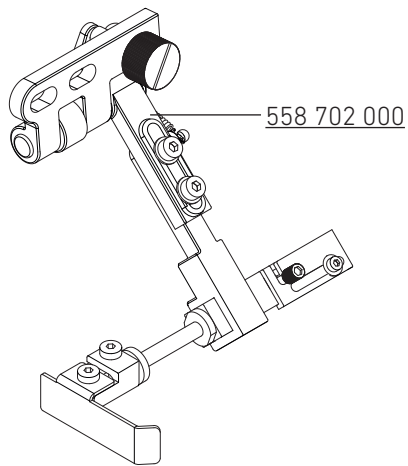
Combined hinged roller & straight guide,
can be raised.
Distance adjustment:

1–30 mm

Optional:



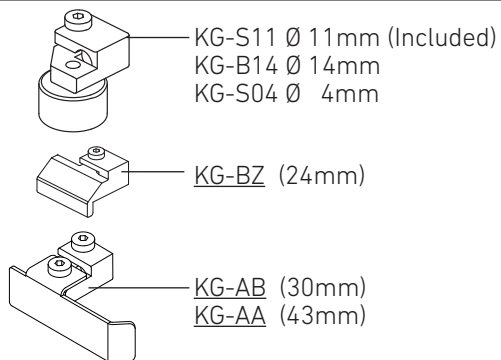
STRAIGHT GUIDE WITH QUICK ADJUSTMENT OF TWO DISTANCES



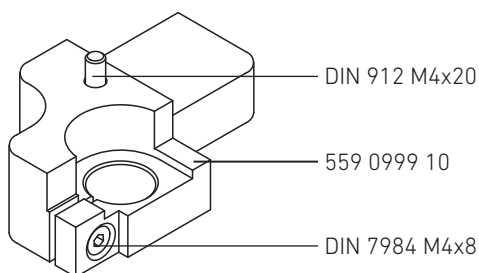
Straight edge guide right, swing up.
Two stitch width pre-adjusted, with quick change.
Distance adjustment:

1–30 mm

Optional:



ADAPTER FOR ADDITIONAL EQUIPMENT



06. SEWING ACCESSORIES

04.03. ADDITIONAL EQUIPMENT

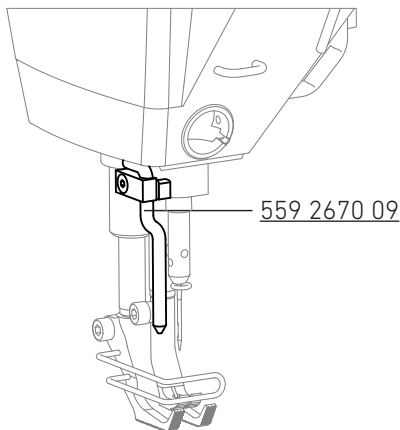
DESCRIPTION

BARCODE SCANNER



559 1893 09

NEEDLE COOLING

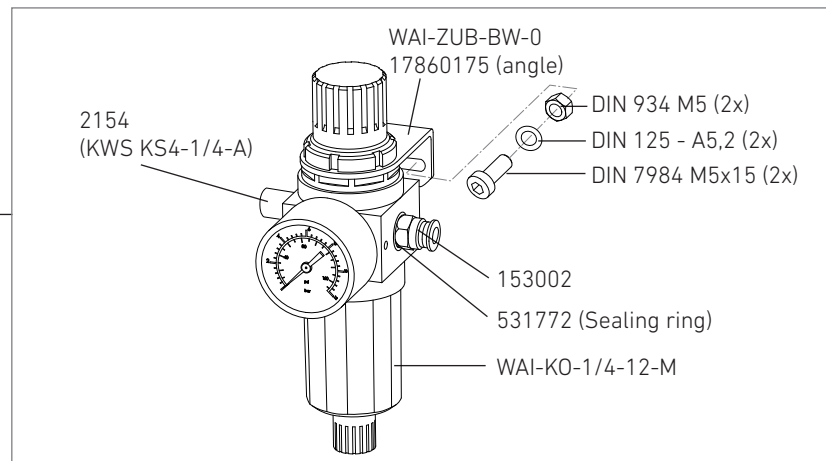


Needle Cooling Set 559 2670 09:

- | | |
|---|---|
| <ul style="list-style-type: none"> » Valve assy
559 0763 59 » Maintenance unit
17860121 » Tube 3x5
559 3107 34 » Tube PUN-6x4-SW
14012625 » Interconnect reduced
100 100 25 » Receptacle QSM-6-4
03070109 | <ul style="list-style-type: none"> » Throttle check valve L-DRV-B6-KU
21110102 » Screw
DIN 7981-4,2x32 (2x) <p>For Rack Mounting:</p> <ul style="list-style-type: none"> » Screw
DIN 912 M3x20 (2x) » Holder
559 2712 10 » Pipe
559 2713 10 » Screw
DIN 7984 M3x6 (zinc plated) |
|---|---|

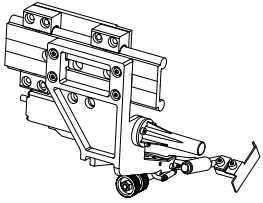
PNEUMATIC UNIT

559 7036 09

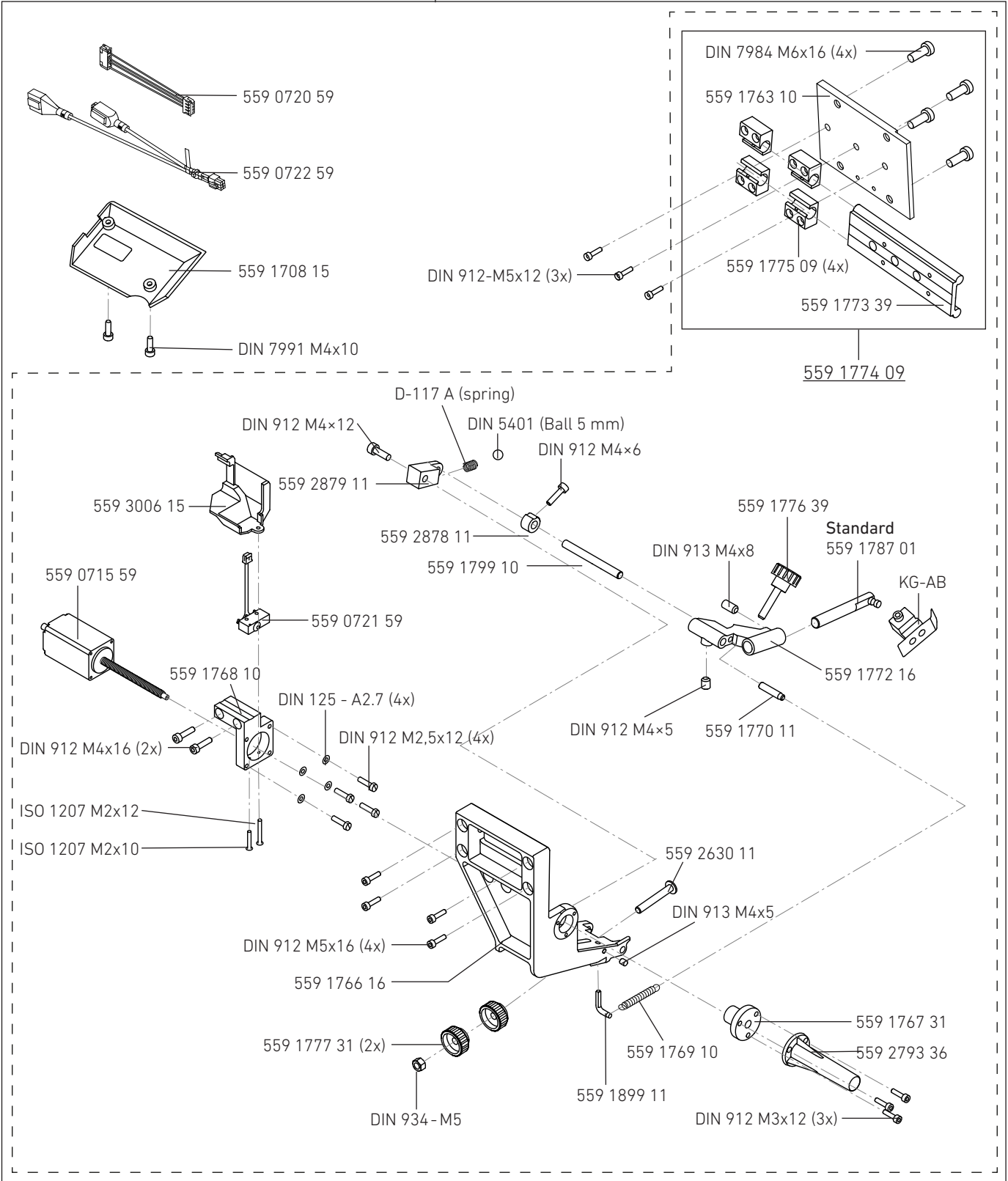


06. SEWING ACCESSORIES

04.04. ELECTRIC EDGE GUIDE - 558 710 000

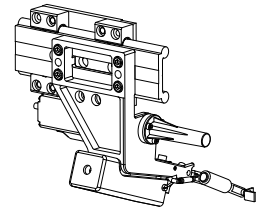


558 710 000

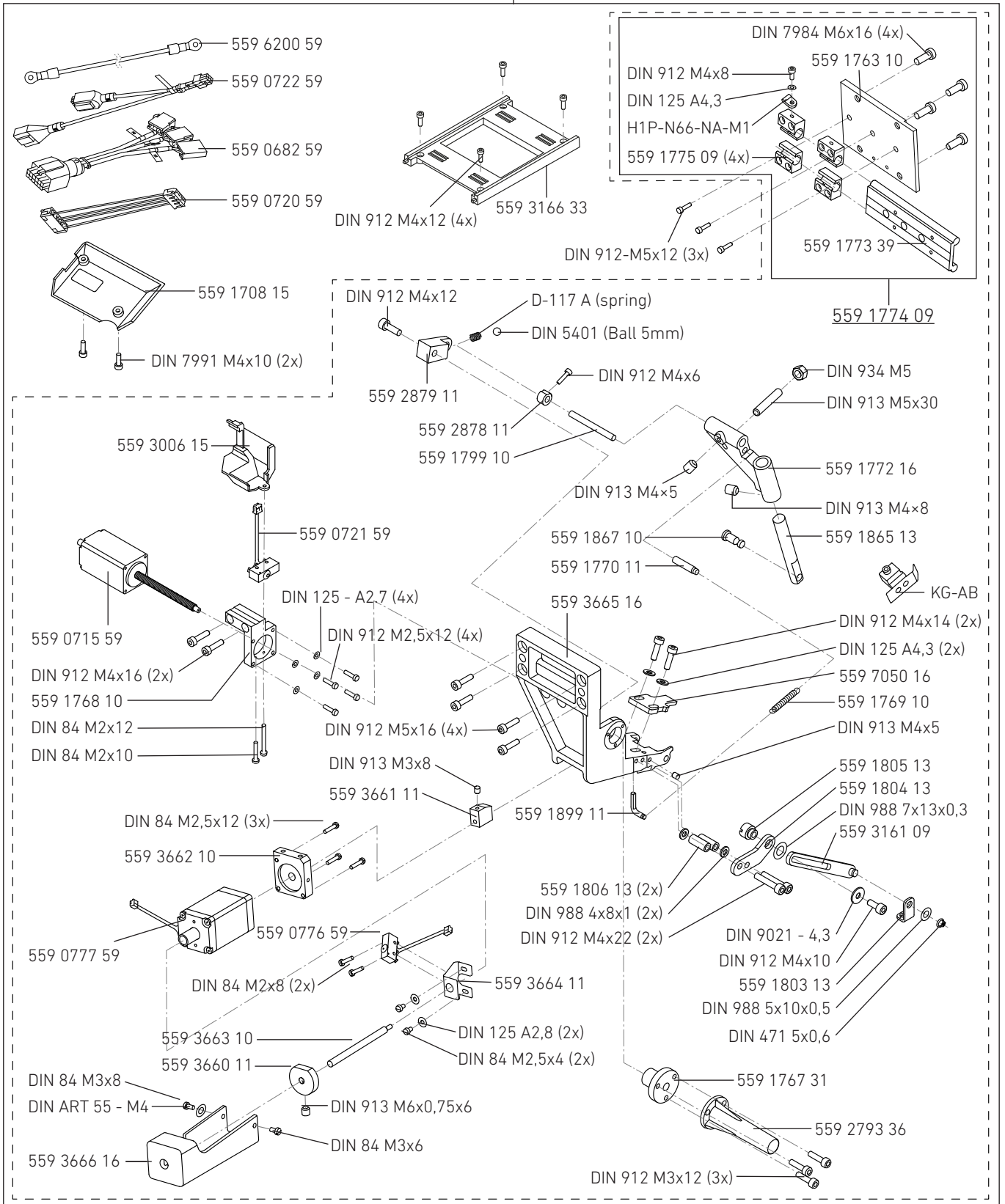


06. SEWING ACCESSORIES

04.05. HEIGHT ADJUSTABLE ELECTRIC EDGE GUIDE - 558 711 000

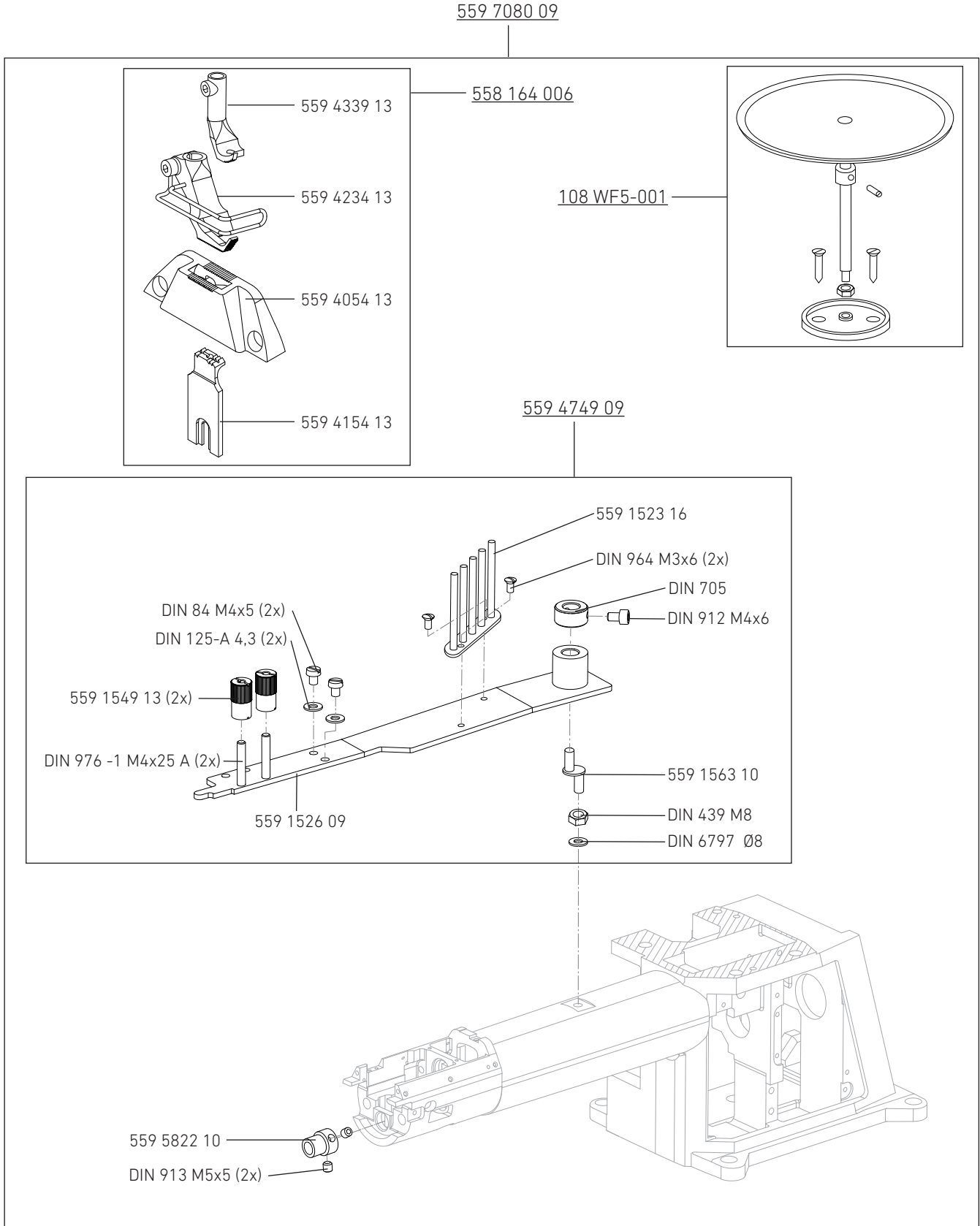


558 711 000



06. SEWING ACCESSORIES

04.06. BINDER



06. SEWING ACCESSORIES

04.07. EYE GUARD - 558 740 000

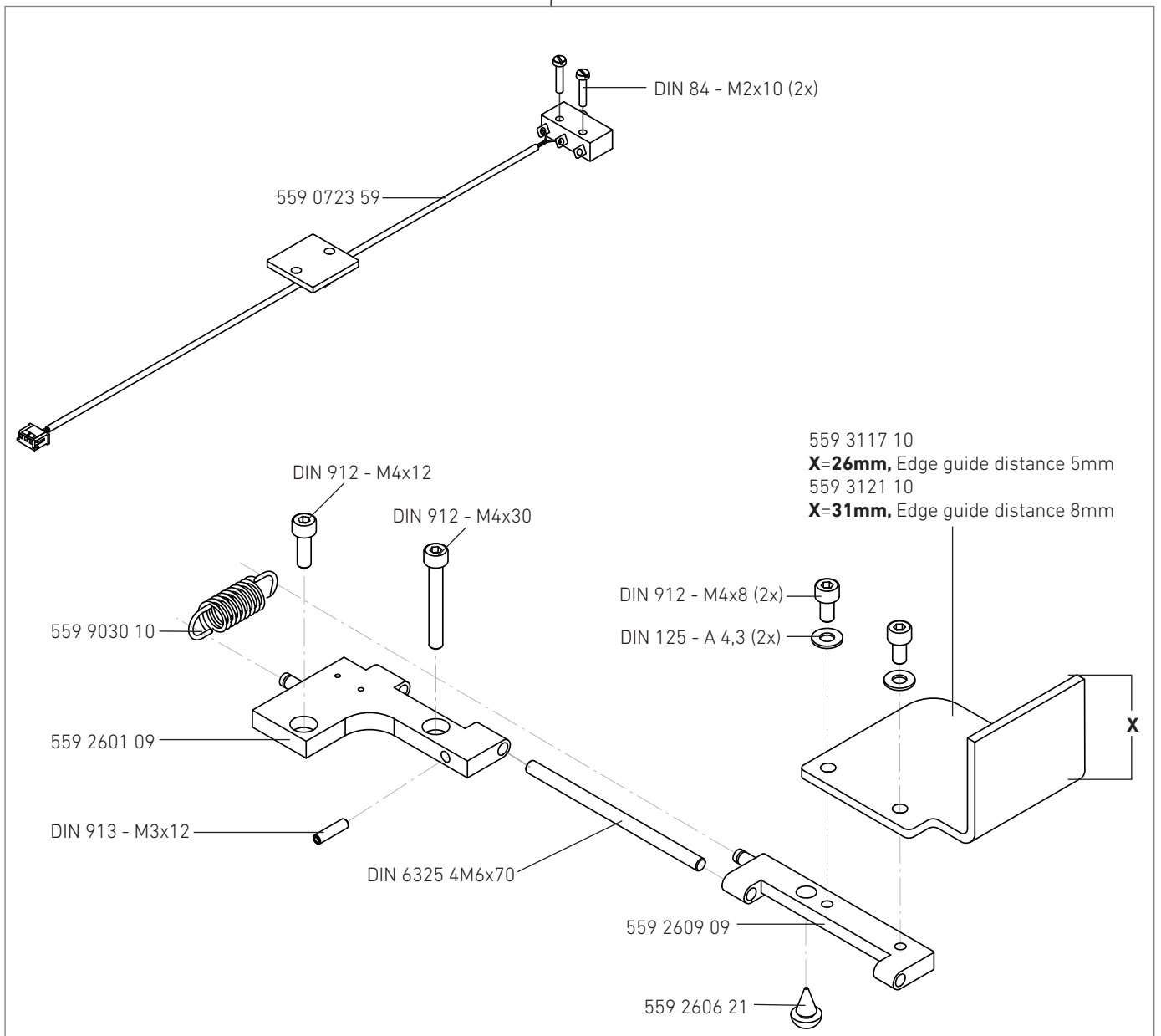
EYE GUARD

558 740 000 (31mm)

558 740 000 (26mm)

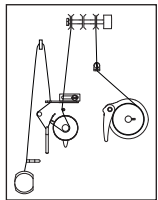
(The number in the brackets refers to the size of the eye protection glass)

558 740 000

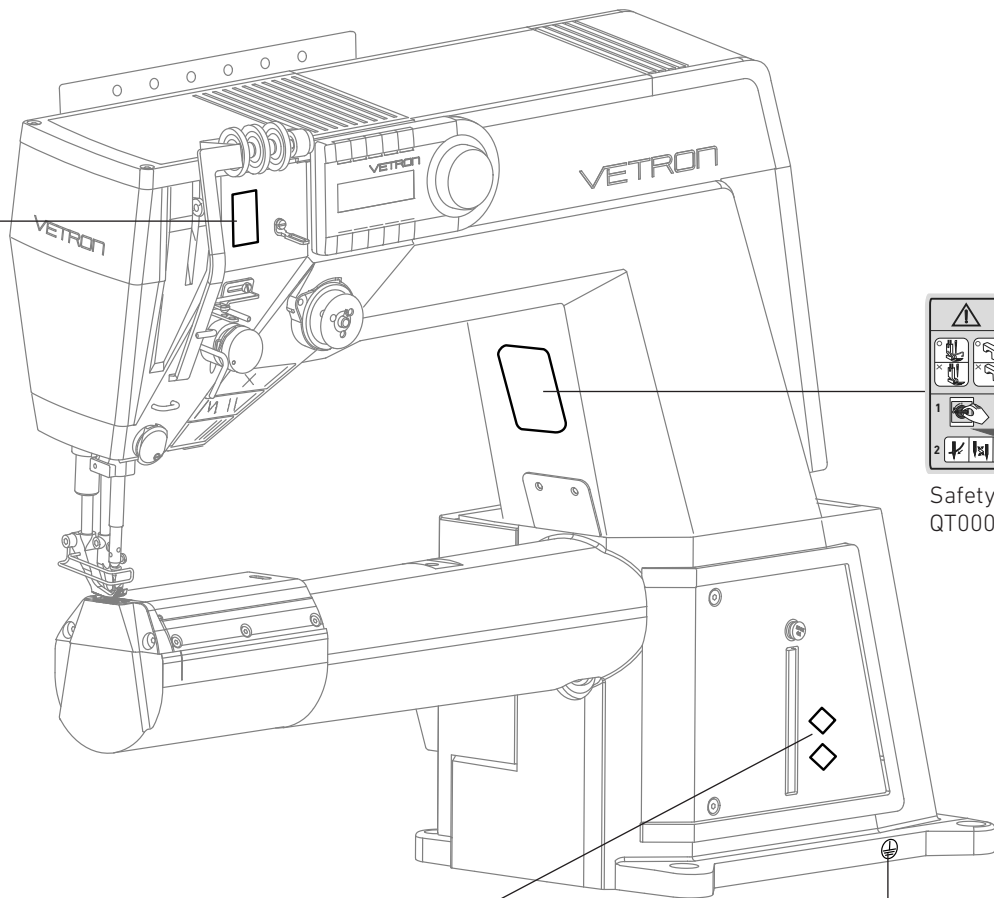


06. SEWING ACCESSORIES

05. STICKERS



Threading Scheme Sticker
559 3192 39



Safety Sticker
QT0000044



Health Hazard Sticker
559 3193 39




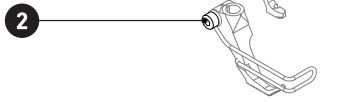
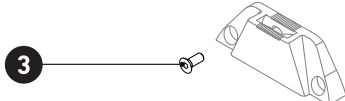

Environment Sticker
559 3194 39

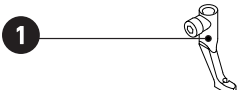
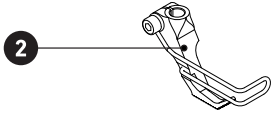
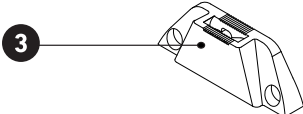



Grounding Sticker
559 3195 39

06. SEWING ACCESSORIES

06. NEEDLE GAUGE PARTS

	POS-NR.	ORDER #
FASTENING PARTS FOR SEWING EQUIPMENTS		
	1	DIN 912 M4x6
	2	DIN 912 M4x12
	3	DIN 7991 M4x10
	4	DIN 7984 M4x6

	POS-NR.	ORDER #
SEWING EQUIPMENT		
	SET: 1 - 4	558 163 006
	1	559 4338 13
	2	559 4232 09
	3	559 4053 13
	4	559 4153 13

06. SEWING ACCESSORIES

07. TABLE STAND

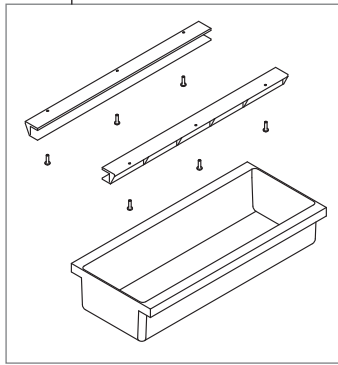
66 01. TABLE STAND PARTS

07. TABLE STAND

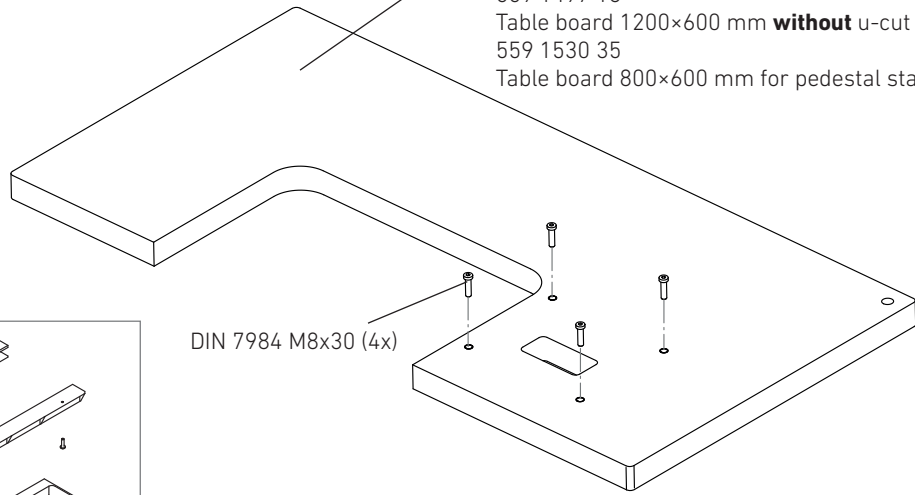
01. TABLE STAND PARTS

- 559 1510 35
Table board 1200×600 mm **with** u-cut
- 559 1497 16
Table board 1200×600 mm **without** u-cut
- 559 1530 35
Table board 800×600 mm for pedestal stand set up

559 3188 09

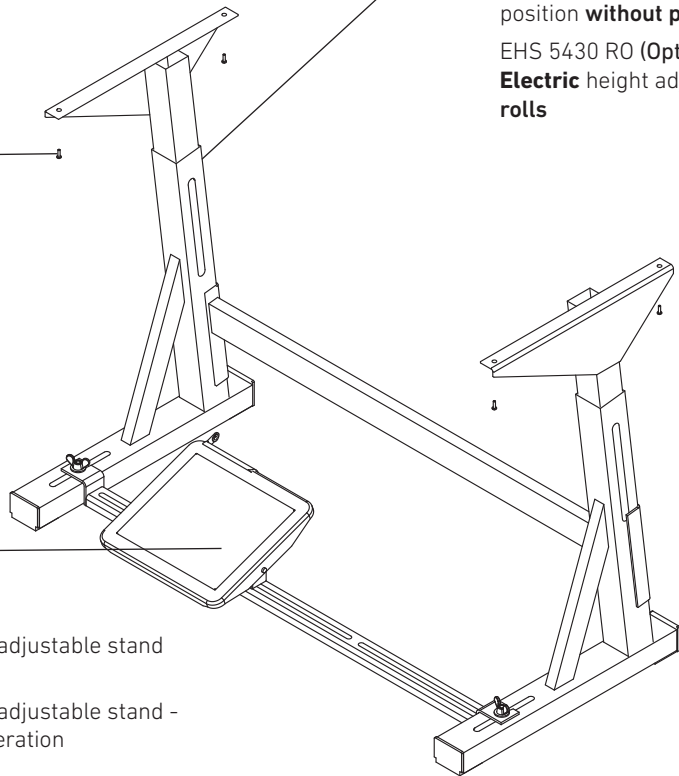


DIN 7984 M8x30 (4x)



- BF 767 SL 960
Height adjustable stand **incl. Pedal**
- EHS 97-107-220 (Option)
Electric height adjustable stand for sitting or standing position **without pedal**
- EHS 5430 RO (Option)
Electric height adjustable cylinder arm stand **with rolls**

DIN WN 6x35 (4x)



11-00030-35

- Pedal
- P-K 20 (Option)
Pedal for **electric** height adjustable stand
- P-K 40 (Option)
Pedal for **electric** height adjustable stand -
for sitting or standing operation

INDEX - PARTS OF SEWING MACHINE

At the time of printing, all information and illustrations in this document were up-to-date.

Technical changes without prior notice!



NOTE!

- » Please remember that we are not liable for spare parts and accessories not purchased from us. These parts were neither examined by us, nor released. Consequently, the installation or use of these products can have a negative influence on features and your workflow of the machine.
- » We accept no liability for any damage caused by the use of non-original parts.
- » Parts which are boxed have a underlined number. These parts have a assembly part number!
- » The part numbers in the box can be seperately ordered.
- » Parts with a ★ means this part is new designed. The previous version is found at the end of the chapter. After consumption they will no longer be available.

INDEX - PARTS OF SEWING MACHINE

PART NUMBER	PAGE	PART NUMBER	PAGE
Symbole		559 0009 09	24
1F-014	52	Cover	
Thread Stand / 3-Spools		559 0010 09	09
006F00030	52	Cover	
Thread Stand / 2-Spools		559 0060 10	18
11-00030-35	66	Collar	
Pedal		559 0061 10	27, 38
93WF2-001	16	Timing belt pulley	
Screw		559 0062 15	38
108 WF5-001	60	Balance wheel	
Tape roll carrier		559 0072 10	16
130.13.600	13	Crank-arm shaft	
Spring (0,45)		559 0075 09	18
209F01006	50	Pendular assy	
Hexagonal wrench for needle screw		559 0080 10	18
500 011 404	18	Guide way	
Screw		559 0081 10	18
500 034 322	41	Plate	
Rubber plug		559 0085 10	19
500 035 330	44	Crank	
Display button (Jog key)		559 0087 10	19
500 035 501	44	Spring guide	
Display button AB		559 0091 10	20
500 035 502	44	Gear wheel	
Display button CD		559 0092 10	19
500 035 506	44	Gear wheel	
Display button (Parameter)		559 0093 10	19
500 035 510	44	Spring (Standard)	
Display button (Escape)		559 0095 10	19
557 110 119	51	Shaft	
Adjustment gauge		559 0096 10	20
557 110 120	51	Bolt	
Clamp		559 0098 10	16
558 163 006	63	Shaft	
Needle Gauge Parts		559 0099 10	20
558 164 006	60	Gear wheel segment	
Needle Gauge Parts		559 0102 10	19
558 701 000	56	Collar	
Roller & straight guide with fine adjustment		559 0103 10	16
558 702 000	56	Slide block	
Straight guide with quick adjustment of two distances		559 0104 09	16
558 710 000	58	Thread take up assy	
Electric edge guide		559 0117 10	20
558 711 000	59	Gear wheel	
Height adjustable edge guide assy		559 0119 13	12
558 740 000	61	Shaft	
Eye Guard		559 0121 33	09
559 0006 11	12	Cover	
Collar			

INDEX - PARTS OF SEWING MACHINE

PART NUMBER	PAGE	PART NUMBER	PAGE
559 0126 35 Cover	09	559 0398 15 Key cape	10
559 0127 36 Cover	09	559 0418 10 Plate	20
559 0130 09 Frame assy	12	559 0422 00 Gear wheel assy	20
559 0132 13 Thread guide	12	559 0429 13 Thread guide	12
559 0133 13 Thread guide	12	559 0430 36 Endcarriage	12
559 0163 09 Stitchregulator - top feed	16, 17	559 0469 11 Shaft	28, 38
559 0169 10 Shaft	16, 28, 30	559 0480 00 Slide rod assy	19
559 0173 00 Lever with bolt	29	559 0486 00 Shaft with coupling	38
559 0227 33 Frame	24	559 0493 13 Thread guide	12
559 0229 33 Frame behind	24	559 0496 10 Bolt	29
559 0230 35 Cover behind	24	559 0499 10 Spring	10
559 0231 35 Cover	24	559 0501 59 LED-PCB	12, 48
559 0237 30 Diffusion lens	12	559 0506 59 Circuit board	10
559 0239 09 Top foot assy	19	559 0507 59 Head base with CPU	10, 47
559 0241 10 Link lever	19	559 0528 59 PCB	15
559 0282 13 Lever	11	559 0551 59 Display button (cut)	44
559 0296 16 Tension spring	12	559 0552 59 Display button (needle position)	44
559 0301 10 Washer	33	559 0553 59 Display button (light)	44
559 0392 15 Key cape	10	559 0554 59 Display button (new program)	44
559 0393 13 Tension disc	13, 16	559 0556 59 Display button (save)	44
559 0394 13 Frame balance wheel	10	559 0560 59 Sensor	15
559 0395 15 Ballance wheel	10	559 0568 59 Display button (chain program)	44
559 0396 69 Key cape	10	559 0580 59 LED PCB with thermal pad	12, 48
559 0397 69 Key cape	10	559 0612 59 Cable	45

INDEX - PARTS OF SEWING MACHINE

PART NUMBER	PAGE	PART NUMBER	PAGE
559 0613 59 FFC-Cable	47	559 0722 59 Cable	58, 59
559 0618 59 Display Connector	10, 47	559 0723 59 Cable complete	61
559 0626 59 USB Flash Drive – Admin	50	559 0771 59 Foot pressure stepper Fei Long Type	28
559 0628 59 (USB Flash Drive – Operator) Optional	50	559 0776 59 Adapter cable with switch	59
559 0629 59 Control box VE 8340	45	559 0777 59 Stepper Motor with cable	59
559 0633 59 Head base cable	47	559 0812 10 Screw	19
559 0637 59 Thread tension cable	48	559 0820 10 Guide assy	15
559 0638 59 Trimmer cable	48	559 0831 10 Key	28
559 0641 59 Control panel basic machine	44	559 0841 09 Carrier with solenoid	10
559 0644 59 Foot position sensor cable	47	559 0842 35 Foam block	24
559 0646 59 CTL-cable	48	559 0844 09 Cover behind - assy	24
559 0649 59 Cable	10	559 0847 11 Holder	18
559 0654 59 Power cable	45	559 0848 10 Screw	15
559 0655 59 Cable encoder	27	559 0856 30 Head cover	50
559 0657 59 Head cable extension	48	559 0863 14 Bushing	24
559 0663 59 Bobbin winder cable	10	559 0896 14 Felt	18
559 0682 59 Cable	59	559 0899 11 Rubber plug	24
559 0699 59 Knee switch with cable	55	559 0921 13 Thread guide	24
559 0704 59 Thread tension actuator	12	559 0922 11 Fixation for Display	44, 50
559 0710 59 Presser foot stepper motor	20	559 0926 09 Thread guide assy	13
559 0714 59 Top feed stroke motor	20	559 0953 11 Cable holder	15
559 0715 59 Linear actuators with nut	58, 59	559 0955 14 Vinyl tube 3x5	24
559 0720 59 Cable	58, 59	559 0956 15 Cover	15
559 0721 59 Cable	58, 59	559 0957 14 Star	38

INDEX - PARTS OF SEWING MACHINE

PART NUMBER	PAGE	PART NUMBER	PAGE
559 0958 10 Spring	11	559 1497 16 Table board 1200×600 mm without u-cut	66
559 0960 09 Rotary hook assy	34	559 1501 16 Rubber plug	24
559 0963 14 Felt	18	559 1502 35 Rubber plug	41
559 0964 01 Plate assy	15	559 1509 09 Main motor / Typical YM24-D assy	27
559 0968 11 Cable holder	15	559 1510 35 Table board 1200×600 mm with u-cut	66
559 0972 35 Cover for panel connection	44	559 1523 16 Guide	60
559 0984 11 Holder	15	559 1526 09 Carrier	60
559 0999 10 Adapter for additional equipment	56	559 1530 35 Table board 800x600 mm for pedestal stand set up	66
559 1061 11 Angle	11	559 1549 13 Knurled screw	60
559 1419 11 Holder	28	559 1563 10 Eccentric bolt	60
559 1420 10 Shaft	28	559 1700 09 Bobbin winder	11
559 1422 09 Lever with bushing	29	559 1708 15 Cover	15, 58, 59
559 1424 10 Shaft	27	559 1710 09 Control & Bobbin Winder	10
559 1428 10 Timing belt pulley	27	559 1713 35 Seal ring	42
559 1435 09 Crank assy	28, 29	559 1763 10 Plate	58, 59
559 1443 10 Plate	27	559 1766 16 Carrier	58
559 1444 35 Cover	24	559 1767 31 Nut	58, 59
559 1445 33 Frame	24	559 1768 10 Carrier	58, 59
559 1446 16 Cover	24	559 1769 10 Spring Z-081 RI	58, 59
559 1455 09 Crank with bearing	28	559 1770 11 Bolt	58, 59
559 1470 09 Hook oil reservoir assy	41	559 1772 16 Carrier	58, 59
559 1471 09 Hook oil reservoir assy	41	559 1773 39 DryLin W chain guide	58, 59
559 1495 35 Timing belt 665-5MGT3-9	27	559 1774 09 Guide bloc	58, 59
559 1496 35 Timing belt 300-5MGT3-9	27	559 1775 09 Housing with bushing	58, 59

INDEX - PARTS OF SEWING MACHINE

PART NUMBER	PAGE	PART NUMBER	PAGE
559 1776 39 Knurled screw	58	559 2679 10 Bobbin	34
559 1787 01 Bolt assy	58	559 2695 09 Top foot assy	19
559 1798 13 Thread guide (26mm)	12	559 2769 09 Head electronics assy without bobbin winder	10
559 1799 10 Pin	58, 59	559 2793 36 Cover	58, 59
559 1803 13 Angle	59	559 2878 11 Collar	58, 59
559 1804 13 Bolt	59	559 2879 11 Bloc	58, 59
559 1805 13 Bolt	59	559 3001 09 Needle bar assy	18
559 1806 13 Bolt	59	559 3002 13 Thread guide	18
559 1865 13 Bolt	59	559 3006 15 Cable cover	58, 59
559 1867 10 Bolt	59	559 3107 34 Oil tube 3x5	40
559 1893 09 Barcode scanner	57	559 3109 34 Oil wick Ø 2mm	40
559 1899 11 Bolt	58, 59	559 3117 10 Eye guard 26mm	61
559 2153 16 Carrier	45	559 3121 10 Eye guard 31mm	61
559 2155 09 Set point device	45	559 3166 10 Frame	24
559 2161 09 Connecting rod	45	559 3166 33 Frame	59
559 2162 06 Mounting kit for control box	45	559 3180 09 1-Needle thread tension assy	12
559 2205 09 Service kit	51	559 3182 13 Disc	12
559 2601 09 Plate assy	61	559 3188 09 Drawer	66
559 2606 21 Buffer	61	559 3192 39 Threading Scheme Sticker	62
559 2609 09 Plate assy	61	559 3193 39 Health Hazard Sticker	62
559 2610 10 Plate	15	559 3194 39 Environment Sticker	62
559 2616 10 Copper plate	10	559 3195 39 Grounding Sticker	62
559 2630 11 Screw	58	559 3218 13 Lever (26mm)	11
559 2670 09 Needle cooling	57	559 3223 10 Shaft	12

INDEX - PARTS OF SEWING MACHINE

PART NUMBER	PAGE	PART NUMBER	PAGE
559 3226 10 Tension spring	34	559 3660 11 Collar	59
559 3233 10 Screw	34	559 3661 11 Cam	59
559 3234 10 Screw	34	559 3662 10 Plate	59
559 3237 10 Screw	34	559 3663 10 Threaded Spindle	59
559 3238 10 Lubrication plate	34	559 3664 11 Angle	59
559 3240 10 Hook gib	34	559 3665 16 Carrier	59
559 3242 10 Needle guard	34	559 3666 16 Cover	59
559 3245 10 Screw	34	559 4053 13 Needle Plate	63
559 3619 09 Thread Stand	53	559 4054 13 Stitch plate	60
559 3629 03 Thread guide	54	559 4153 13 Feed Dog	63
559 3633 30 Tube (1000mm)	54	559 4154 13 Feed dog	60
559 3637 09 Clamp	53	559 4232 09 Outer Foot	63
559 3638 30 Tube (400mm)	54	559 4234 13 Outer foot	60
559 3640 09 Thread Stand / 1-Needle	52	559 4338 13 Inner Foot	63
559 3642 09 Thread Stand / Mounting-Kit-Vetron	52	559 4339 13 Inner foot	60
559 3644 09 Spindle shaft clamp	54	559 4749 09 Binder	60
559 3645 09 Pipe (400mm)	53	559 5701 10 Crank	31
559 3646 09 Pipe (600mm)	53	559 5702 11 Crank	31
559 3647 09 Pipe (600mm)	53	559 5703 11 Crank	31
559 3648 09 Pipe (800mm)	53	559 5704 10 Feed bar	31
559 3649 09 Pipe (400mm)	53	559 5705 10 Carrier	31
559 3650 09 Mounting Kit - Vetron	53	559 5706 10 Slide block	31
559 3652 15 Foam	54	559 5707 10 Plate	31
559 3653 10 Cover for thread stand cops	54	559 5708 11 Plate	31

INDEX - PARTS OF SEWING MACHINE

PART NUMBER	PAGE	PART NUMBER	PAGE
559 5709 10 Bolt	31	559 5761 09 Hook carrier with gear	33
559 5712 10 Gear	32	559 5767 03 Cover	25
559 5716 11 Carrier	35	559 5768 10 Shaft	31
559 5717 10 Shaft	35	559 5769 10 Bushing	31, 32
559 5719 10 Shaft	31	559 5770 10 Bobbin case opener	33
559 5721 10 Crank	31	559 5775 09 Plate	28
559 5722 11 Carrier	35	559 5777 10 Timing belt pulley	28
559 5726 13 Plate	25	559 5778 10 Gear	32
559 5727 13 Cover	25	559 5779 10 Gear	32
559 5728 10 Shaft	32	559 5780 16 Cover	24
559 5732 09 Feed mechanism assy	31	559 5781 10 Bolt	35
559 5733 10 Eccentric	31	559 5782 10 Plate	35
559 5734 10 Crank	28	559 5788 10 Thrappier	35
559 5735 09 Hallow shaft	31	559 5789 10 Knife	35
559 5736 10 Bolt	31, 35	559 5811 16 Cover	24
559 5738 10 Shaft	32	559 5812 09 Stitch regulator assy	28, 30
559 5742 10 Shaft	33	559 5813 09 Housing thread cutter assy	35
559 5743 10 Lever	31	559 5815 10 Shaft	30
559 5748 09 Lever assy	35	559 5816 10 Thread catcher	35
559 5751 10 Slide block	33	559 5817 10 Angle	25
559 5752 11 Plate	33	559 5818 11 Collar	32
559 5756 09 Lever with pin	33	559 5819 11 Crank	28
559 5758 09 Hook assy	33	559 5821 11 Crank	28
559 5759 10 Holder	31	559 5822 10 Eccentric	60

INDEX - PARTS OF SEWING MACHINE

PART NUMBER	PAGE	PART NUMBER	PAGE
559 6200 59	59	D	
Cable		D-117 A	58, 59
559 7016 09	19	Spring	
Holder assy		D-194	19
559 7018 09	15	Soft spring	
Foot distance sensor assy		D-222 E	19
559 7036 09	57	Spring - Low pressure	
Maintenance unit		DIN 934 - M5	58
559 7050 16	59	Nut	
Limit plate		E	
559 7080 09	60	EHS 97-107-220	66
Binder assy		Electric height adjustable stand for sitting or standing position without pedal (Option)	
559 9007 10	45	EHS 5400 RO	66
Soft spring		Electric height adjustable cylinder arm stand with rolls	
559 9008 10	45	K	
Standard spring		KG-AA	56
559 9009 30	50	Edge guide (43mm)	
Bobbin (Standard 26mm)		KG-AB	56, 58, 59
559 9030 10	61	Edge guide (30mm)	
Spring		KG-B14	56
559 9044 34	12, 48	Roller Ø 14mm	
Heat transfer pad		KG-BZ	56
559 9139 09	12, 48	Edge guide (24mm)	
Light clamp cable		KG-S04	56
559 9147 13	25	Roller Ø 4mm	
Cover		KG-S11	56
559 9172 10	33	Roller Ø 11mm	
Eccentric bolt		P	
B		P-K 20	66
B966234009	42	Pedal for electric height adjustable stand (Option)	
Spring		P-K 40	66
B966235009	42	Pedal for electric height adjustable stand for sitting or standing operation (Option)	
Bolt		Q	
BF 767 SL 960	66	QT0000044	62
Height adjustable stand incl. Pedal		Safety Sticker	
BX9823009	32	R	
Gear		Roller bearing	38
BX85720609	42	K18x22x13	
Screw		S	
BX85728009	41	S150201003	18
Oil pipe		Screw	
BXF9823009	27	S150232005	19
Gear		Screw	
BXF9943009	27	S151004003	50
Gear		Hexagonal wrench s=3	
C		S151004004	50
C144588201	12	Hexagonal wrench s=4	
Thread tension spring (C) - standard		S151004005	50
C144588301	12	Hexagonal wrench s=5	
Thread tension spring (B)			

INDEX - PARTS OF SEWING MACHINE

PART NUMBER	PAGE	PART NUMBER	PAGE
S151004010	50		
Hexagonal wrench s=1,5			
S151004012	50		
Hexagonal wrench s=2,5			
SuS 6346	50		
Oil can with 0,4l oil			
W			
W060302001	50		
Oil can small (empty)			
W060401017	50		
Screw Driver L			
W060401023	50		
Screw Driver S			



VETRON TYPICAL EUROPE GmbH
Clara-Immerwahr-Str. 6
67661 Kaiserslautern, Germany
Tel.: +49 6301 320 75-0
Fax: +49 6301 320 75-11

E-mail: info@vetrontypical.com
www.vetrontypical.com