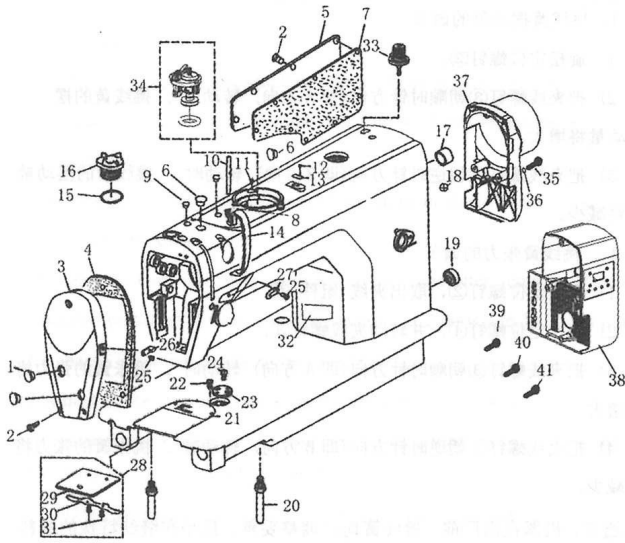


ZOJE

ZJ9503B/01

Parts book

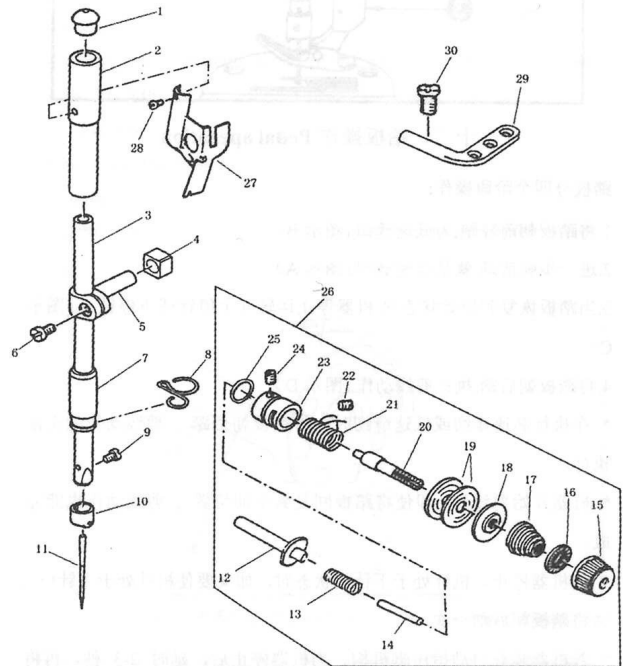
1. 机壳分组件
MACHINE FRAME & MISCELLANEOUS COVER COMPNENTS



序号 Part No.	件号 Part No.	名称	Name of the part	数量 Qty.	备注
23	10008803	油封	Oil seal	1	
24	10010542	挡圈	Thrust collar	1	
25	10005020	螺钉	Screw	2	
26	10003959	轴套	Bearing support	1	
27	10010593	螺钉	Screw	1	
28	10004472	绕线主动轮	Wheel	1	
29	10011062	螺钉	Screw	1	
30	10003930	轴套	Bearing support	1	
31	10012203	针杆曲柄	Counter weight	1	
	10012858	针杆曲柄	Counter weight	1	-5
32	10010082	螺钉	Screw	1	
33	10010545	螺钉	Screw	1	
34	10010534	O形圈	O-ring	1	
35	10005020	螺钉	Screw	2	
36	10008910	上轴	Main shaft	1	
37	10010541	毛毡	Roller felt	1	
38	10010540	曲柄油量调节销套	Sleeve of adjusting pin	1	
39	10010538	O形圈	O-ring	1	
40	10010504	曲柄油量调节销	Adjusting pin	2	

序号 Part No.	件号 Part No.	名称	Name of the part	数量 Qty.	备注
1	10008977	橡胶塞	Rubber plug	2	
2	10008972	螺钉	Screw	11	
3	20003438	面板	Face plate	1	
4	10008954	面板垫	Face plate gasket	1	
5	20003774	后窗板	Side plate	1	
6	10008942	橡胶塞	Rubber plug	2	
7	10010877	后窗板垫	Side plate gasket	1	
8	10008934	螺钉	Screw	1	
9	10008943	橡胶塞	Rubber plug	2	
10	10005639	过线柱	Needle thread guide pin	1	
11	10004380	螺钉	Screw	3	
12	10013269	螺钉	Screw	2	
13	10011149	绕线切刀	Thread cutter	1	
14	10014082	挑线杆护罩	Thread take-up lever cover	1	
15	10008939	O形圈	O-ring	1	
16	10008938	油窗	Oil window	1	
17	10008975	橡胶塞	Rubber plug	1	
18	10008974	机头接地指示牌	Earthing indication plat	1	
19	10008941	橡胶塞	Rubber plug	1	
20	10002577	底板支柱	Bed screw stud	4	
21	10008805	针板	Needle plate	1	
	10005917	针板	Needle plate	1	-5
22	10009005	螺钉	Screw	2	
23	10004373	限位挡片	Ruler plate	1	
24	10004374	螺钉	Screw	2	
25	10008973	螺钉	Screw	2	
26	10008937	左线钩	Arm thread guide left	1	
27	10008940	右线钩	Arm thread guide right	1	
28	10013706	推板部件	Side plate ASM.	1	
29	10003960	推板	Side plate	1	
30	10003963	推板簧	Spring of side plate	1	
31	10010080	螺钉	Screw	2	
32	10008936	机头安全指示牌	Safty-indication plate	1	
33	10013064	绕线夹线器组件	Bobbin thread tension ASSM.	1	
34	10013967	绕线器	Bobbin winder ASM.	1	
35	10012080	螺钉	Screw	3	
36	10002954	垫片	Washer	3	
37	10002520	后罩	Pulley cover	1	

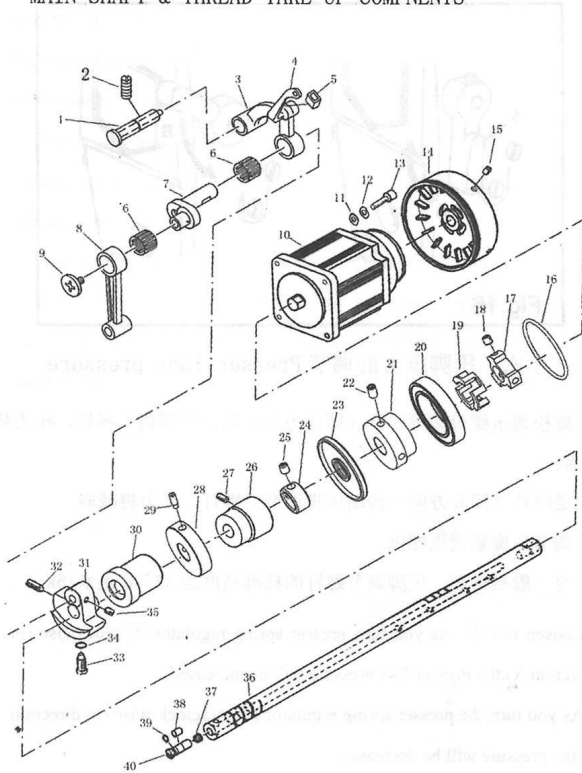
3. 针杆、夹线分组件
NEEDLE BAR & THREAD TENSION COMPNENTS



序号 Part No.	件号 Part No.	名称	Name of the part	数量 Qty.	备注
1	10010587	橡胶塞	Rubber plug	1	
2	10011063	轴套	Bearing support	1	
3	10008825	针杆	Needle bar	1	
	10014469	针杆	Needle bar	1	-5
4	10010586	针杆连接柱滑块	Slide block	1	
5	10010590	针杆连接柱	Needle bar holder	1	
6	10010643	螺钉	Screw	1	
7	10014117	轴套	Bearing support	1	
	10005916	轴套	Bearing support	1	-5
8	10010638	针杆下轴套线钩	Needle bar thread guide	1	

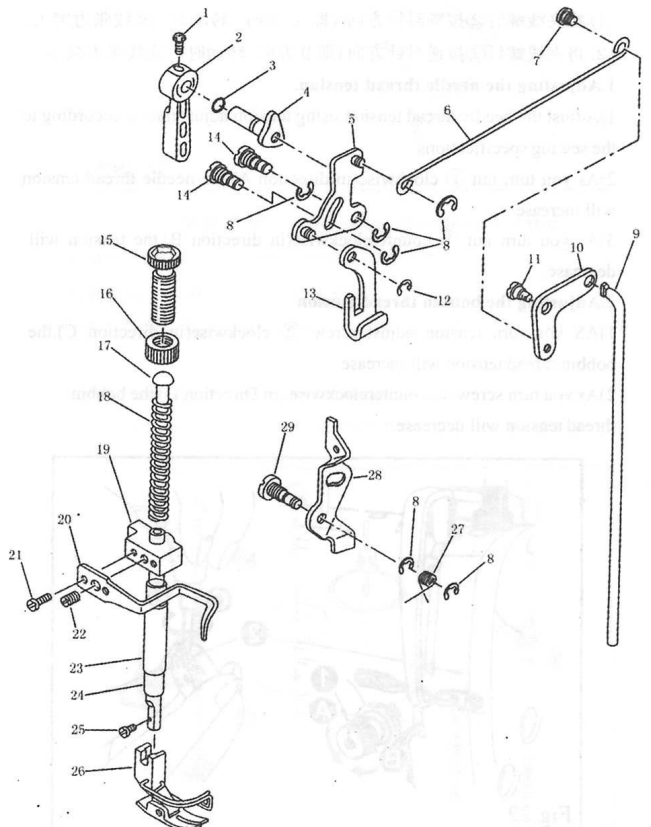
序号	件号	名称	Name of the part	数量	备注
Part No.				Qty.	
38	10032220	电控	Electric control	1	9603-01
	10031566	电控	Electric control	1	9603-02
	10032221	电控	Electric control	1	9603-03
39	10012080	螺钉	Screw	1	9603
40	10012744	螺钉	Screw	1	9603
41	10005303	螺钉	Screw	1	9603

2. 上轴、挑线分组件
MAIN SHAFT & THREAD TAKE-UP COMPONENTS



序号	件号	名称	Name of the part	数量	备注
Part No.				Qty.	
9	10010588	螺钉	Screw	1	
10	10010591	针杆线钩	Needle bar thread guide	1	
	10005945	针杆线钩	Needle bar thread guide	1	-5
11	10004898	DB×1 14#风琴机针	Needle	1	
	10004869	DP×5 18#风琴机针	Needle	1	-5
12	10008839	松线辅钉	Tension release supporting pin	1	
13	10010642	弹簧	Spring	1	
14	10004184	松线钉	Thread release pin	1	
15	10012981	螺母	Nut	1	
16	10004199	夹线制动板	Tension disc wtopper	1	
17	10004176	弹簧	Spring	1	
	10005941	弹簧	Spring	1	
18	10004179	松线板	Tension disc holder	1	
19	10004180	夹线板	Eensin disc	2	
20	10004177	螺钉	Screw	1	
21	10004201	弹簧	Spring	1	
22	10006264	螺钉	Screw	1	
23	10010639	挑线簧调节座	Tension post socket	1	
24	10004200	螺钉	Screw	1	
25	10005020	螺钉	Screw	2	
26	10013000	夹线器组件	Thread take-up device	1	
	10012476	夹线器组件	Thread take-up device	1	-5
27	10010339	面部防油板部件	ARM oil shield ASM.	1	
28	10004990	螺钉	Screw	1	
29	10010640	三眼线钩	Three-hole thread eyelet	1	
30	10008934	螺钉	Screw	1	

4. 压脚分组件
PRESSER FOOT COMPONENTS



序号	件号	名称	Name of the part	数量	备注
Part No.				Qty.	
1	90000614	挑线连杆销组件	Thread take-up crank shaft	1	
2	10010083	螺钉	Screw	1	
3	10010535	挑线连杆	Thread take-up bar	1	
	10005936	挑线连杆	Thread take-up bar	1	-5
4	10004158	挑线杆分部件	Thread take-up lever ASM.	1	
	10005939	挑线杆分部件	Thread take-up lever ASM.	1	-5
5	10010539	挑线杆防油圈	Oil resitant cover	1	
6	10014083	轴承	Bearing	2	
7	10004144	挑线曲柄组件	Needle bar crank	1	
	10005937	挑线曲柄组件	Needle bar crank	1	-5
8	10010592	针杆连杆	Needle bar crank rod	1	
9	10010537	螺钉	Screw	1	
10	10007414	电机	Motor	1	
11	10006115	垫圈	Washer	4	
12	10005537	垫圈	Washer	4	
13	10006118	螺钉	Screw	4	
14	20003904	上轮	Head wheel	1	
15	10002436	螺钉	Screw	2	
16	10003796	O形圈	O-ring	1	
17	10008908	联轴器	Coupling	1	
18	10011232	螺钉	Screw	3	
19	10008909	联轴器橡胶圈	Washer	1	
20	10009790	轴承	Bearing	1	
21	10008908	联轴器	Coupling	1	
22	10012161	螺钉	Screw	2	

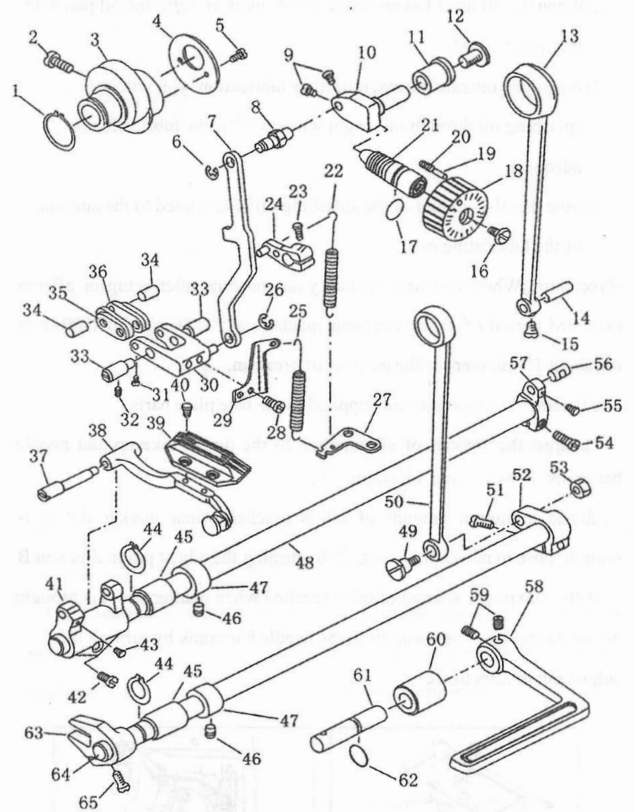
序号 Part No.	件号 Part No.	名称	Name of the part	数量 Qty.	备注
1	10010016	螺钉	Screw	1	
2	10011064	压脚扳手	Hand lofter	1	
3	10010027	O形圈	O-ring	1	
4	10008826	压脚扳手凸轮部件	Hand lofter CAM ASM.	1	
	10013809	压脚扳手凸轮部件	Hand lofter CAM ASM.	1	-5
5	10008874	抬压脚前杠杆部件	Hand lofter link ASM.	1	
6	10010025	抬压脚拉杆	Lifting lever connecting rod	1	
7	10010651	螺钉	Screw	1	
8	10010649	挡圈	Snap ring	6	
9	10010020	抬压脚顶杆	Connecting rod vertical	1	
10	10010017	抬压脚后杠杆	Lifting lever link	1	
11	10010652	螺钉	Screw	1	
12	10010026	挡圈	Snap ring	1	
13	10010648	压脚升降板	Lifting lever	1	
14	10010653	销	Link shaft	2	
15	10011022	螺钉	Screw	1	
16	10011023	螺母	Nut	1	
17	10004439	调压导杆	Presser guide bar	1	
18	10004473	弹簧	Spring	1	
19	10008843	压杆导架	Presser guide bar bracket	1	
20	10010021	缓线调节钩	Presser bar thread guide	1	
21	10010018	螺钉	Screw	1	
22	10003921	螺钉	Screw	1	
23	10014118	轴套	Bearing support	1	
	10005915	轴套	Bearing support	1	-5
24	10010646	压杆	Presser bar	1	
25	10010650	螺钉	Screw	1	
26	10012449	活压脚部件	Presser foot ASM.	1	
	10005982	活压脚部件	Presser foot ASM.	1	-5
27	10010647	弹簧	Spring	1	
28	10010019	松线顶板	Tension release plate	1	
29	10010022	销	Link shaft	1	

5. 钩线分组件

HOOK DRIVING SHAFT COMPONENTS

6. 送料分组件

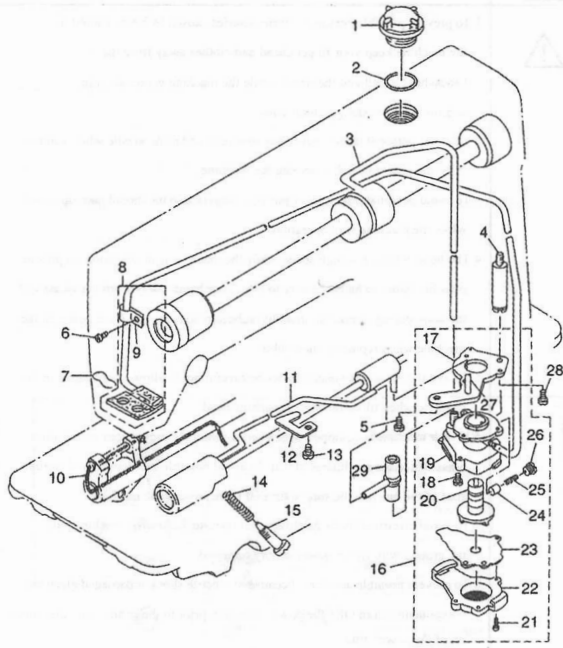
FEED MECHANISM COMPONENTS



序号 Part No.	件号 Part No.	名称	Name of the part	数量 Qty.	备注
1	10010089	挡圈	Snap ring	1	
2	10010092	螺钉	Screw	2	
3	10010115	送料偏心轮	Feed drive eccentric cam	1	
4	10010098	送料偏心轮盖板	Thrust roller	1	
5	10010643	螺钉	Screw	1	
6	10010649	挡圈	Snap ring	1	
7	10006317	倒送料连杆	Feed adjust rod	1	
8	10008861	销	Pin	1	
9	10010643	螺钉	Screw	2	
10	10008848	送料调节器	Feed regulator	1	
11	10013772	轴套	Bearing support	1	
12	10010238	螺钉	Screw	1	
13	10010072	送料连杆	Connecting rod	1	
14	10010069	销	Pin	1	
15	10010071	螺钉	Screw	1	
16	10010281	螺钉	Screw	1	
17	10010240	O形圈	O-ring	1	
18	10011024	送料距旋钮	Feed dial	1	
19	10013870	销	Pin	1	
20	10013869	弹簧	Spring	1	
21	10008829	送料调节螺柱	Screw	1	
22	10004430	弹簧	Spring	1	

7. 润滑分组件

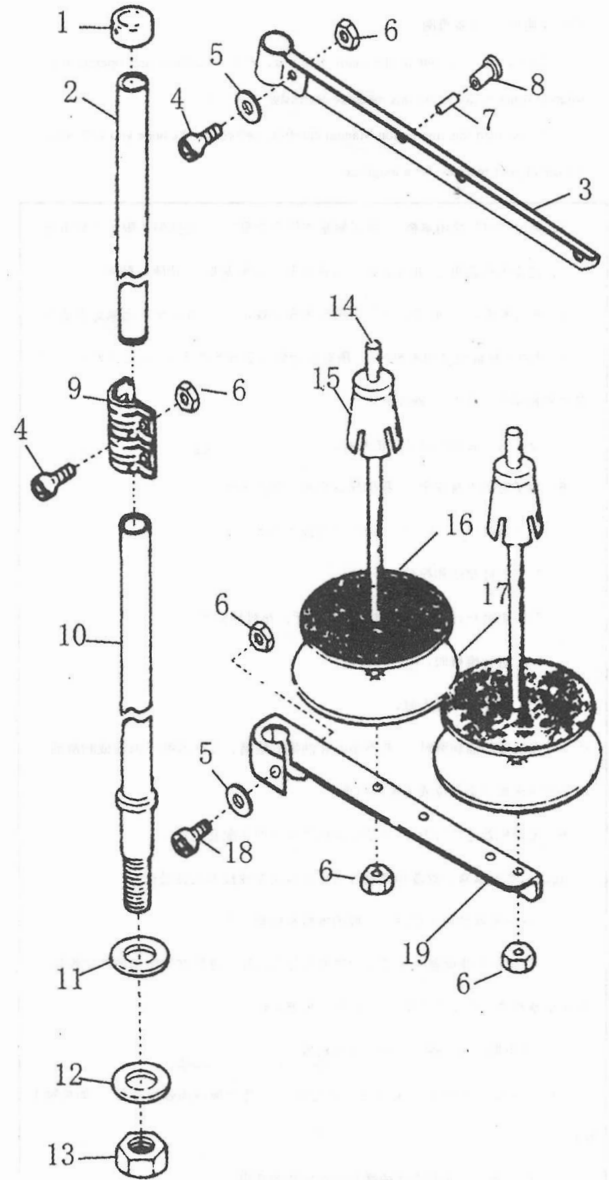
OIL LUBRICATION COMPONENTS



序号 Part No.	件号 Part No.	名称	Name of the part	数量 Qty.	备注
1	10008938	油窗	Oil sight window	1	
2	10008939	油窗O形圈	Rubber ring	1	
3	10010343	上轴供油管	Main shaft oil tube	1	
4	10010293	油泵连接螺柱	Oil pump support	1	
5	10010292	油泵螺钉	Screw	1	
6	10008934	回油管夹螺钉	Screw	1	
7	10010294	回油毡夹	Oil felt presser	1	
8	20000778	回油管组件	Oil return tube ASM.	1	
9	10004476	回油管夹	Holder	1	
10	10004045	送料轴油线	Oil wick	1	
11	10010345	旋梭供油管	Oil tube	1	
12	10010295	压板	Tube holder lower	1	
13	10010292	压板螺钉	Screw	1	
14	10010341	旋梭油量调节簧	Spring	4	
15	10010344	旋梭油量调节螺钉	Oil adjusting screw	1	
16	10008817	油泵部件	Oil pump ASM.	1	
17	10004046	油泵安装板	Oil pump installing base	1	
18	10004062	油泵安装螺钉	Screw	3	
19	10002476	油泵体	Oil pump	1	
20	10004063	油泵叶轮	Oil pump impeller	1	
21	10004064	油泵盖螺钉	Screw	3	
22	10004044	油泵盖	Oil pump cover	1	
23	10004066	油泵叶轮托板	Oil pump impeller cover	1	
24	10004056	回油柱塞	Plunger	1	
25	10004059	柱塞簧	Plunger spring	1	
26	10004043	柱塞螺钉	Plunger Screw	1	
27	10004060	下轴供油管	Hook driving shaft oil tube	1	
28	10010066	螺柱连接螺钉	Screw	1	
29	10010340	供油管接头	Oil tube joint	1	

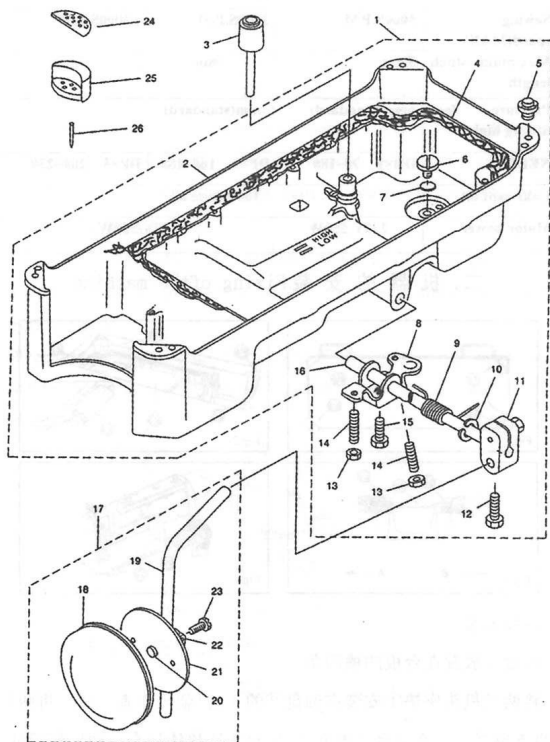
9. 过线架分组件

OIL RESERVOIR COMPONENTS



序号 Part No.	件号 Part No.	名称	Name of the part	数量 Qty.	备注
1	10004282	撑管套	Column cap	1	
2	10004293	线架上撑管	Column pipe (upper)	1	
3	10004298	上过线架	Thread hanger	1	
4	10003301	撑管夹螺钉	Screw	2	
5	10003022	上过线架垫圈	Washer	2	
6	10002953	撑管夹螺母	Nut	5	
7	10004289	过线管	Thread guide pipe	2	
8	10004285	过线管套	Thread guide bushing	2	
9	10004286	撑管夹	Column pipe connector	1	
10	10004291	线架下撑管	Column pipe (lower)	1	
11	10004295	线架下撑管垫圈	Washer	1	
12	10004290	线架下撑管垫圈	Washer	1	
13	10002985	线架下撑管螺母	Nut	1	

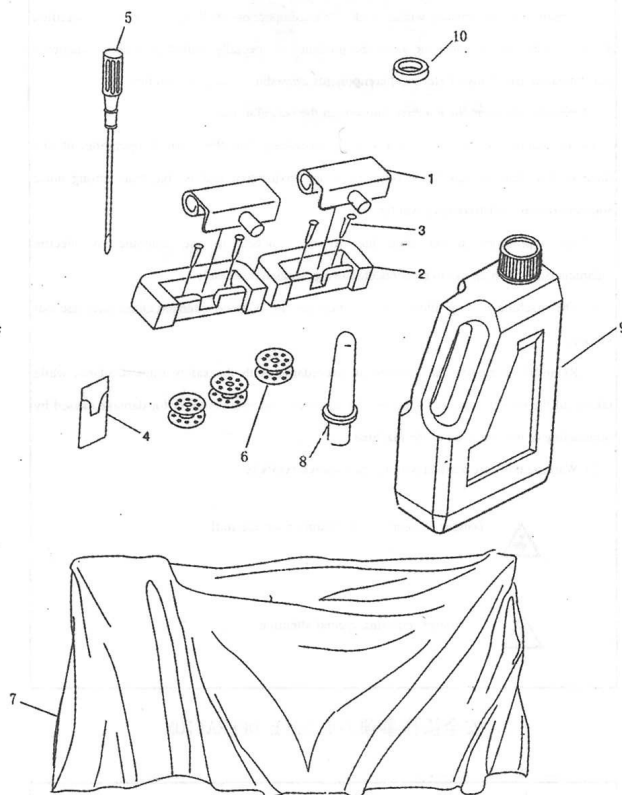
8. 油盘分组件
OIL RESERVOIR COMPONENTS



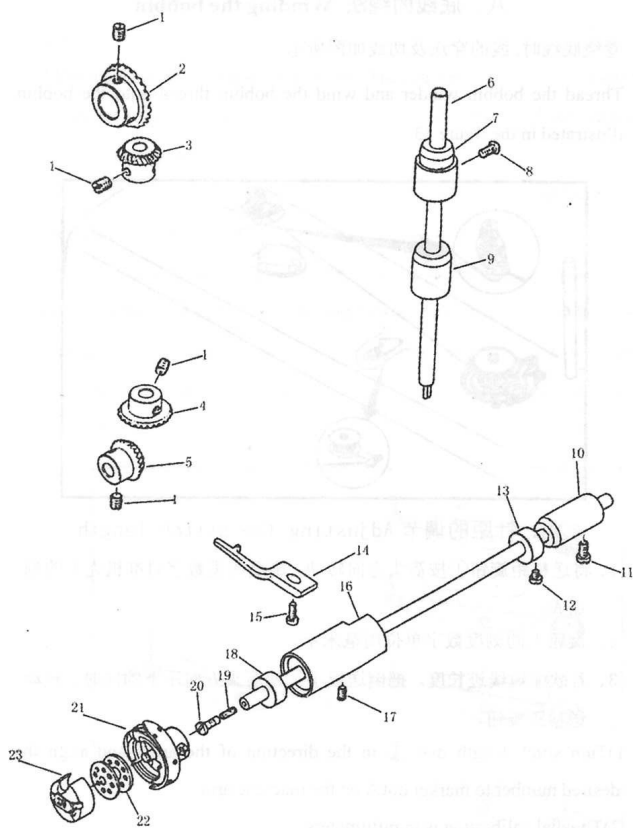
序号 Part No.	件号 Part No.	名称	Name of the part	数量 Qty.	备注
1	20005429	油盘部件	Oil reservoir ASM.	1	
2	10008313	油盘	Oil reservoir ASM.	1	
3	10004222	抬压脚顶销	Pin	1	
4	10014194	油盘垫	Oil reservoir gasket	1	
5	10009993	机头座垫	Head gasket	4	
6	10009991	排油孔螺钉	Screw	1	
7	10009988	排油孔螺钉O形圈	Rubber ring	1	
8	10009987	抬压脚双向曲柄	Crank	1	
9	10003893	双向曲柄扭簧	Twisting spring	1	
10	10002559	抬压脚轴开口挡圈	Snap ring	1	
11	10003896	抬压脚操纵杆节头	Bracket	1	
12	10003895	操纵杆节头螺钉	Screw	1	
13	10003890	双向曲柄限位调节螺母	Nut	2	
14	10003895	双向曲柄限位调节螺钉	Screw	2	
15	10003898	双向曲柄螺钉	Screw	1	
16	10003899	抬压脚轴	Knee pressing shaft	1	
17	10009985	操纵杆部件	Knee pressing plate ASM.	1	
18	10004223	操纵板软垫	Knee pressing plate cover	1	
19	10003901	操纵杆	Knee pressing rod	1	
20	10003900	操作杆垫	Knee pressing plate rubber	1	
21	10003891	操纵板	Knee pressing plate	1	
22	10003897	操作杆节头	Knee pressing plate holder	1	
23	10003894	节头螺钉	Screw	1	
24	10009993	油盘座垫	Oil reservoir cushion	2	
25	10009986	油盘支座	Oil reservoir seat	2	
26	10003889	油盘座钉	Oil reservoir nail	4	

序号	件号 Part No.	名称	Name of the part	数量 Qty.	备注
14	10004288	线轴	Spool pin	2	
15	10004287	线盘塑料压块	Spool cushion	2	
16	10004281	线盘软垫	Spool mat	2	
17	10004299	线盘	Spool seat disc	2	
18	10003312	下过线架螺钉	Screw	2	
19	10004292	下过线架	Thread hanger (lower)	1	

10. 附件
ACCESSORIES



序号	件号 Part No.	名称	Name of the part	数量 Qty.	备注
1	10004466	机头连接钩部件	Head connecting hook	2	
2	10011041	机头连接钩座	Head connecting hook socket	2	
3	10003889	机头连接钩座钉	Nail	4	
4	10003468	DB×1 14#飞虎机针	Needles 1 bag	1包	
4	10003633	DP×5 18#飞虎机针	Needles 1 bag	1包	-5
5	10010995	螺丝刀(中)	Screw driver (M)	1	
6	10010060	梭芯	Bobbin	3	
7	10004492	机头罩	Head cover	1	
8	10004514	机头支柱	Head pole	1	
9	10004455	油箱部件	Oil bottle with oil	1	
10	10003892	油盘磁铁	Oil reservoir magnet	1	



序号 Part No.	件号 Part No.	名称	Name of the part	数量 Qty.	备注
1	10010065	螺钉	Screw	8	
2	10010056	齿轮	Gear	1	
3	10010062	齿轮	Gear	1	
4	10010029	齿轮	Gear	1	
5	10003937	齿轮	Gear	1	
6	10010057	竖轴	Upright shaft	1	
7	10003961	轴套	Bearing support	1	
8	10008972	螺钉	Screw	1	
9	10003964	轴套	Bearing support	1	
10	10003931	轴套	Bearing support	1	
11	10010030	螺钉	Screw	1	
12	10010059	螺钉	Screw	2	
13	10010058	挡圈	Snap ring	1	
14	10010067	旋梭定位钩	Positioning finger	1	
15	10010066	螺钉	Screw	1	
16	10004347	轴套	Bearing support	1	
17	10010593	螺钉	Screw	1	
18	10011065	油封	Oil seal	1	
19	10010063	油芯	Oil wick	1	-5
20	10010064	螺钉	Screw	1	
21	10023997	旋梭	Hook	1	
21	10007157	旋梭	Hook	1	-5
22	10010060	梭芯	Bobbin	1	
23	10003780	梭壳	Bobbin case	1	

序号 Part No.	件号 Part No.	名称	Name of the part	数量 Qty.	备注
23	10012024	螺钉	Screw	1	
24	90000342	倒送料曲柄部件	Reverse feed arm ASM.	1	
25	10010284	弹簧	Spring	1	
	10012991	弹簧	Spring	1	-5
26	10010649	挡圈	Snap ring	1	
27	10010235	拉簧固定板	Feed spring hook	1	
	10012987	拉簧固定板	Feed spring hook	1	-5
28	10010285	螺钉	Screw	2	
29	10010282	摆动板复位板	Plate	1	
30	10010088	送料摆动板座组件	Feed adjusting ASM.	1	
31	10010071	螺钉	Screw	2	
32	10010506	螺钉	Screw	2	
33	10010102	销	Pin	2	
34	10010087	销	Pin	2	
35	10010075	送料短摆动板	Short link	2	
36	10010068	送料长摆动板	Lang link	2	
37	10004440	销	Pin	1	
38	20002335	牙架部件	Feed bar ASM.	1	
39	10008853	送料牙	Feed dog	1	
	10006005	送料牙	Feed dog	1	-5
40	10010099	螺钉	Screw	2	
41	10004474	牙架座	Feed bar driving crank	1	
42	10025329	螺钉	Screw	2	
43	10010074	螺钉	Screw	1	
44	10010090	挡圈	Snap ring	2	
45	10014116	轴套	Bear support	1	
46	10005020	螺钉	Screw	4	
47	10010542	挡圈	Snap ring	2	
48	10010073	送料轴	Feed rocker shaft	1	
49	10010091	螺钉	Screw	1	
50	10010084	抬牙连杆	Connecting rod	1	
51	10010095	螺钉	Screw	1	
52	10010086	抬牙后曲柄	Lifting rocker	1	
53	10004475	螺母	Nut	1	
54	10010095	螺钉	Screw	1	
55	10010071	螺钉	Screw	1	
56	10010096	销	Pin	1	
57	10010076	送布曲柄	Feed rocker	1	
58	20003459	倒送料扳手	Reverse feed controllever	1	
59	10003921	螺钉	Screw	2	
60	10014119	轴套	Bearing support	1	
61	10008827	倒送料轴	Reverse feed shaft	1	
62	10010243	O形圈	O-ring	1	
63	10010100	抬牙叉形曲柄	lifting fork	1	
64	10010097	抬牙轴	Feed driving shaft	1	
65	10010093	螺钉	Screw	1	