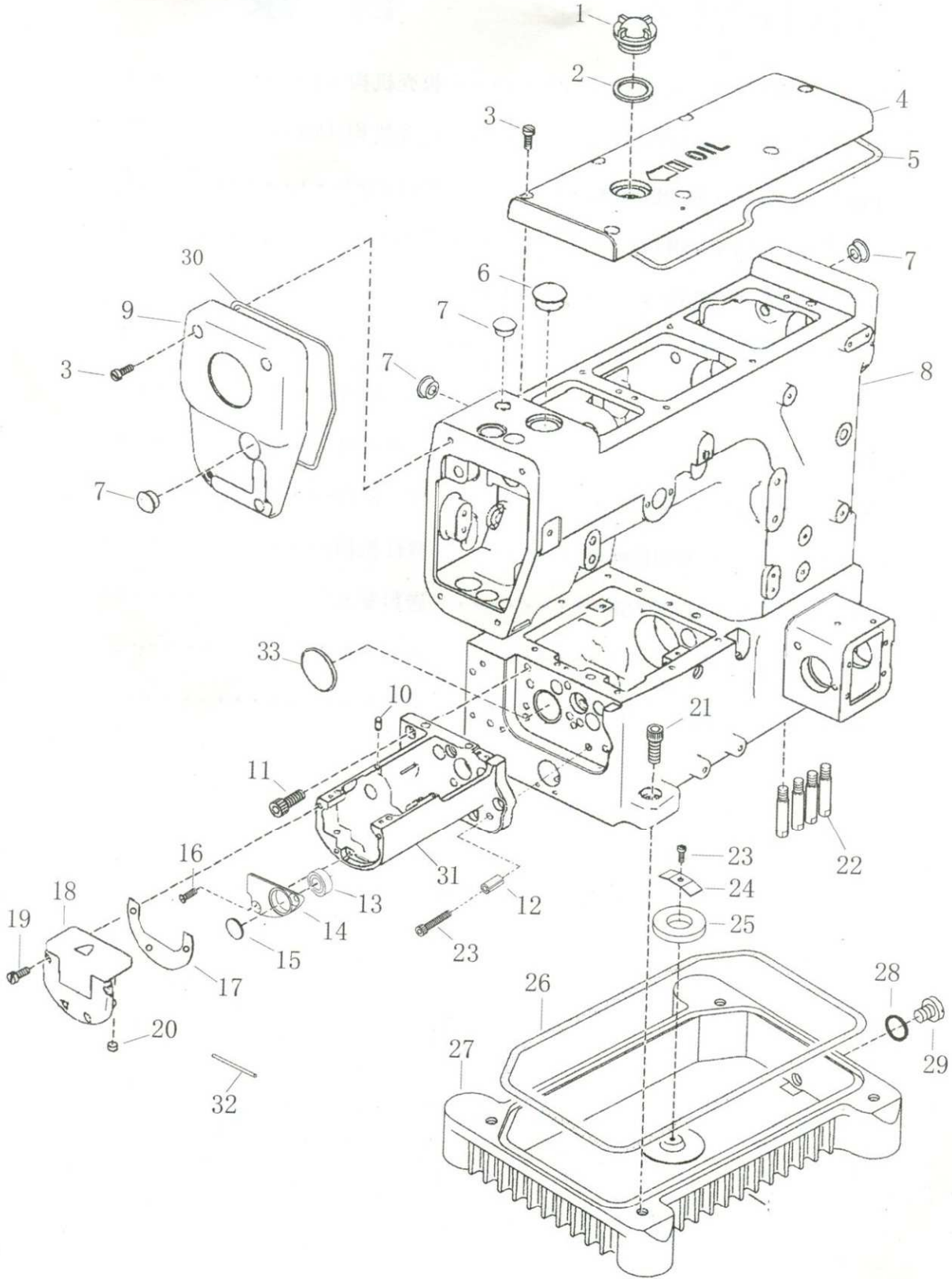


CONTENTS

目 录

MACHINE COVER MECHANISM (1)	机壳机构 (1)	1
MACHINE COVER MECHANISM (2)	机壳机构 (2)	2
THREAD EYELETS MECHANISM	过线机构	3
BUSHINGS MECHANISM	管套机构	4
DOWN-SHAFT MECHANISM	下轴机构	5
UP-SHAFT MECHANISM	上轴机构	6
NEEDLE BAR MECHANISM	针杆机构	7
PRESSER FOOT MECHANISM	压脚机构	8
SPREADER MECHANISM	绷针机构	9
LOOPER DRIVING MECHANISM	弯针机构	10
FEED DRIVING MECHANISM	送料驱动机构	11
FEED DOG MECHANISM	送料具机构	12
LUBRICATING MECHANISM	润滑机构	13

1

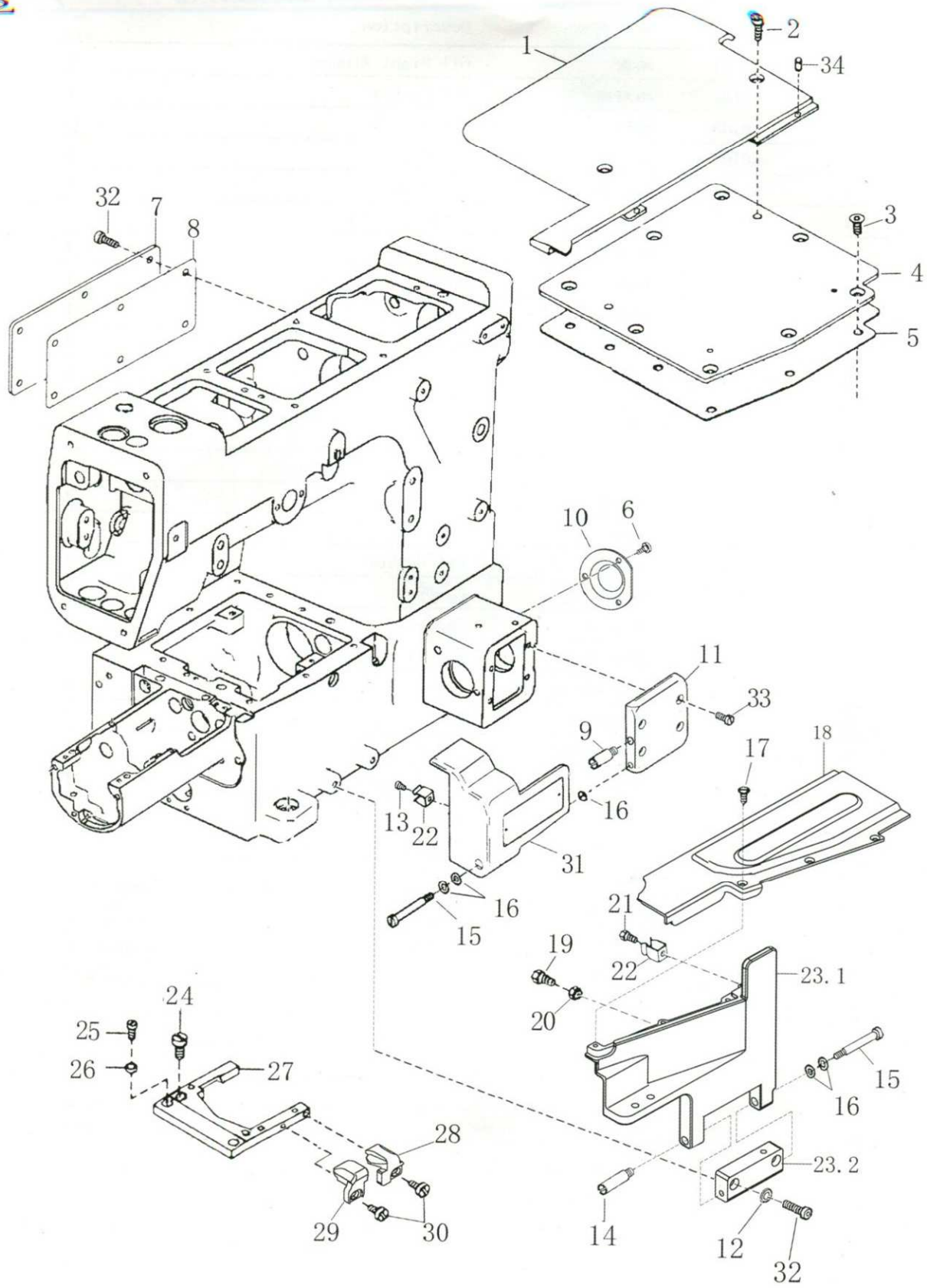


机壳机构 (1)

MACHINE COVER MECHANISM (1)

1

Ref. No.	Parts. No.	零件名称	Description	Amt. Req.
1	K0101	油窗	Oil Sight Window	1
2	K0102	密封垫	Oil Gasket	1
3	K0103	螺钉	Screw	11
4	K0104	上盖	Top Cover	1
5	K0105	密封圈	Oil Ring	1
6	K0106	橡胶件	Rubber Stopper	1
7	K0107	橡皮塞	Stopper	4
8	K0108	机壳	Machine Frame Unit	1
9	K0109	面盖	Head Cover	1
10	K0110	橡皮塞	Rubber Stopper	2
11	K0111	内六角螺钉	Screw	5
12	K0112	开口销	Roll Pin	2
13	K0113	轴承	Ball Bearing	1
14	K0114	轴承座	Ball Bearing Holder	1
15	K0115	密封垫	Oil Gasket	1
16	K0116	螺钉	Screw	2
17	K0117	密封垫	Oil Gasket	1
18	K0118	翻盖板	Cover	1
19	K0119	螺钉	Screw	3
20	K0120	强磁 @6x2	Magnet Holder	2
21	K0121	内六角螺钉	Screw	4
22	K0122	底座螺钉	Screw	4
23	K0123	内六角螺钉	Screw	2
24	K0124	压板	Fixed Plate	1
25	K0125	永磁	Magnet Holder	1
26	K0126	油盘垫	Oil Reservoir Gasket	1
27	K0127	油盘	Oil Reservoir	1
28	K0128	橡胶垫	Rubber Stopper	1
29	K0129	放油螺钉	Screw (Sm3/8-24X12)	1
30	K0130	密封圈	Oil Ring	1
31	K0131	筒嘴	Lower Cylinder Bed	1
32	K0132	销	Roll Pin	2
33	K0133	垫板	Washer	1

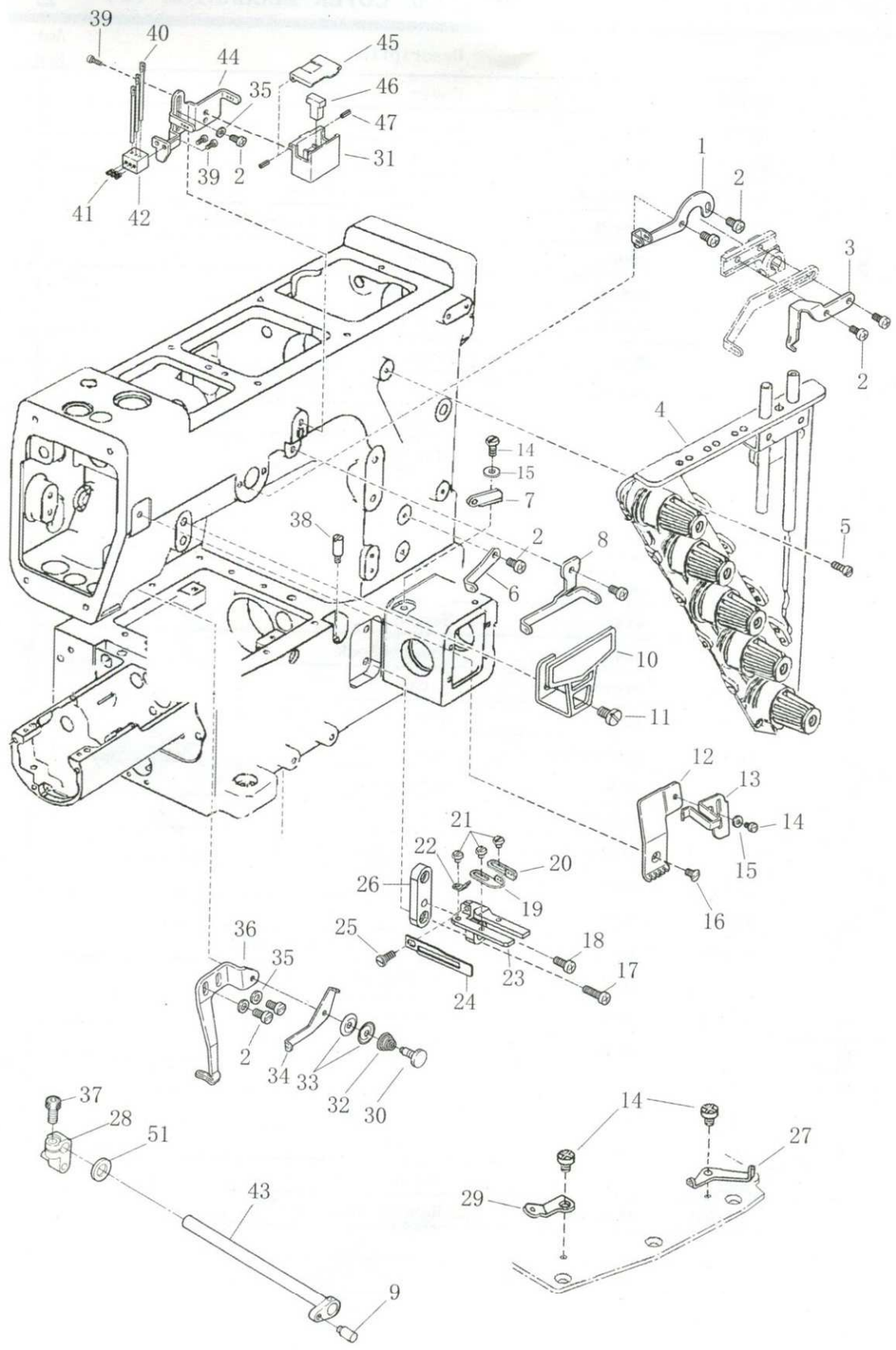


机壳机构 (2)

MACHINE COVER MECHANISM (2) 2

Ref. No.	Parts. No.	零件名称	Description	Amt. Req.
1	K0201	盖	Cover	1
2	K0202	螺钉	Screw	2
3	K0203	螺钉	Screw	8
4	K0204	曲轴上盖	Crank Chamber Cover	1
5	K0205	密封垫	Crank Chamber Cover Gasket	1
6	K0206	螺钉	Screw	3
7	K0207	后窗板	Rear Cover	1
8	K0208	后窗密封垫	Rear Cover Gasket	1
9	K0209	螺钉	Screw	1
10	K0210	盖板	Cover Block	1
11	K0211	盖板	Cover Block	1
12	K0212	垫片	Washer	2
13	K0213	螺钉	Screw	1
14	K0214	无头轴位螺钉	Screw	1
15	K0215	螺钉	Screw	2
16	K0216	波形垫片	Washer	5
17	K0217	螺钉	Screw	3
18	K0218	盖板	Cover Block	1
19	K0219	内六角螺钉	Screw	1
20	K0220	螺母	Nut	1
21	K0221	内六角螺钉	Screw	1
22	K0222	卡簧	Retaining Ring	2
23	K0223.01	前盖板	Cover	1
24	K0223.02	前盖板座	Front Cover Hinge	1
25	K0224	螺钉	Screw	2
26	K0225	螺钉	Screw	2
27	K0226	定位环	Collor (8Mmx16Mmx8Mm)	2
28	K0227	针板座	Stitch Plate Support	1
29	K0228	导骨	Fabric Guide (Left)	1
30	K0229	导骨	Fabric Guide (Right)	1
31	K0230	螺钉	Screw	2
32	K0231	盖板	Cover Block	1
33	K0232	螺钉	Screw	6
34	K0233	螺钉	Screw	4
35	K0234	橡皮塞	Rubber Stopper	2

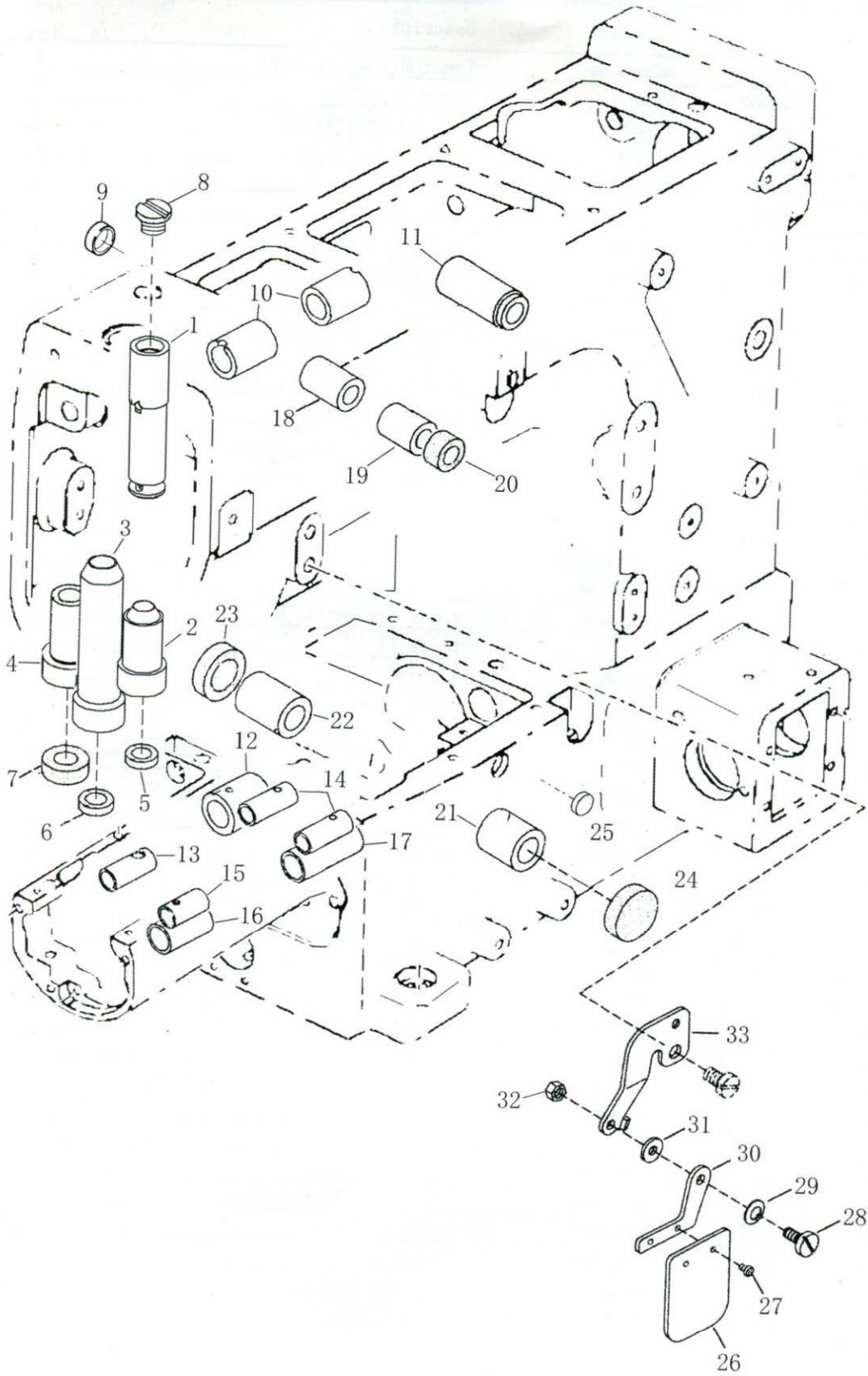
3



过线机构

THREAD EYELETS MECHANISM 3

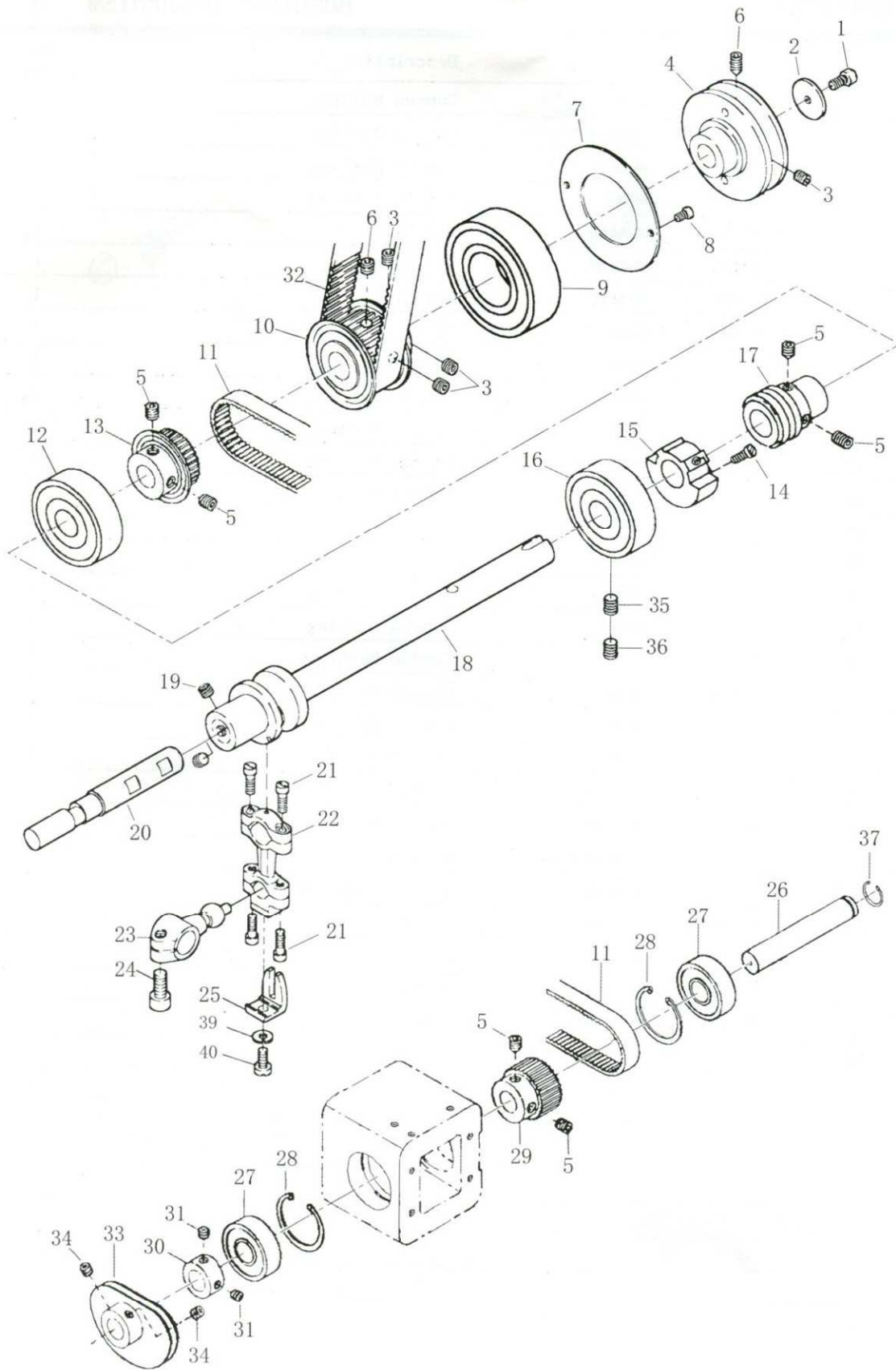
Ref. No.	Parts. No.	零件名称	Description	Amt. Req.
1	K0301	挑线过架	Tension Post Support	1
2	K0302	螺钉	Screw	8
3	K0303	挑线板	Tension Disc Eyelet	1
4	K0304	过线架	Eyelet	1
5	K0305	螺钉	Screw	3
6	K0306	上过线板	Up-Eyelet	
7	K0307	过线板	Eyelet	1
8	K0308	二孔线架	Thread Lead-In Guide	1
9	K0309	轴位螺钉	Screw	1
10	K0310	护线板	Plate	1
11	K0311	螺钉	Screw	1
12	K0312	面线板	Needle Thread Eyelet	1
13	K0313	挑线钩	Needle Thread Guide	1
14	K0314	螺钉	Screw	2
15	K0315	垫片	Washer	2
16	K0316	螺钉	Screw	4
17	K0317	螺钉	Screw	1
18	K0318	内六角螺钉	Screw	1
19	K0319	左过线板	Left Eyelet	1
20	K0320	右过线板	Right Eyelet	1
21	K0321	螺钉	Screw	3
22	K0322	过线板	Eyelet	1
23	K0323	打线架	Thread Take-Up Eyelet Holder	1
24	K0324	分线板	Looper Thread Guide	1
25	K0325	螺钉	Screw	1
26	K0326	打线架座	Thread Take-Up Eyelet Bracket	1
27	K0327	过线板	Eyelet	1
28	K0328	送线曲柄	Rocking Arm	1
29	K0329	弯针过线板	Looper Thread Eyelet	1
30	K0330	螺钉	Screw	1
31	K0331	上硅油盖	Silicone Box Cover	1
32	K0332	夹线簧	Top Cover Thread Tension Spring	1
33	K0333	过线盘	Tension Spring Disc Support	2
34	K0334	绷针线架线板	Top Cover Thread Guide	1
35	K0335	垫片	Washer	4
36	K0336	绷针线架	Thread Tension Spring Retainer	1
37	K0337	内六角螺钉	Screw	1
38	K0338	螺钉	Screw	1
39	K0339	螺钉	Screw	2
40	K0340	单孔线柱	Top Cover Thread Guide	3
41	K0341	紧定螺钉	Locking Screw	3
42	K0342	三眼孔块	Block	1
43	K0343	挑线杆	Take-Up Shafe	1
44	K0344	过线架	Eyelet Rack	1
45	K0345	油毛毡箱盖	Felt Box Cover	1
46	K0346	毛毡	Felt0	1
47	K0347	开口销	Roll Pin	2



管套机构

BUSHINGS MECHANISM 4

Ref. No.	Parts. No.	零件名称	Description	Amt. Req.
1	K0401	铜套	Cuprum Bushing	1
2	K0402	铜套	Cuprum Bushing	1
3	K0403	铜套	Cuprum Bushing	1
4	K0404	铜套	Cuprum Bushing	1
5	K0405	密封圈	Oil Ring	1
6	K0406	密封圈	Oil Ring	1
7	K0407	密封圈	Oil Ring	1
8	K0408	螺钉	Screw	1
9	K0409	铜套	Cuprum Bushing	1
10	K0410	铜套	Cuprum Bushing	2
11	K0411	铜套	Cuprum Bushing	1
12	K0412	铜套	Cuprum Bushing	1
13	K0413	铜套	Cuprum Bushing	1
14	K0414	铜套	Cuprum Bushing	2
15	K0415	铜套	Cuprum Bushing	1
16	K0416	铜套	Cuprum Bushing	1
17	K0417	铜套	Cuprum Bushing	1
18	K0418	铜套	Cuprum Bushing	1
19	K0419	铜套	Cuprum Bushing	1
20	K0420	铜套	Cuprum Bushing	1
21	K0421	铜套	Cuprum Bushing	1
22	K0422	橡皮塞	Rubber Stopper	1
23	K0423	橡皮塞	Rubber Stopper	1
24	K0424	骨架密封塞	Head Cover Seal Plug	1
25	K0425	橡皮塞	Rubber Stopper	1
26	K0426	护目镜	Eye Protector	1
27	K0427	螺钉	Screw	2
28	K0428	螺钉	Screw	1
29	K0429	轴位螺钉	Screw	1
30	K0430	板	Plate	1
31	K0431	垫片	Washer	1
32	K0432	螺母	Nut	1
33	K0433	板	Plate	1

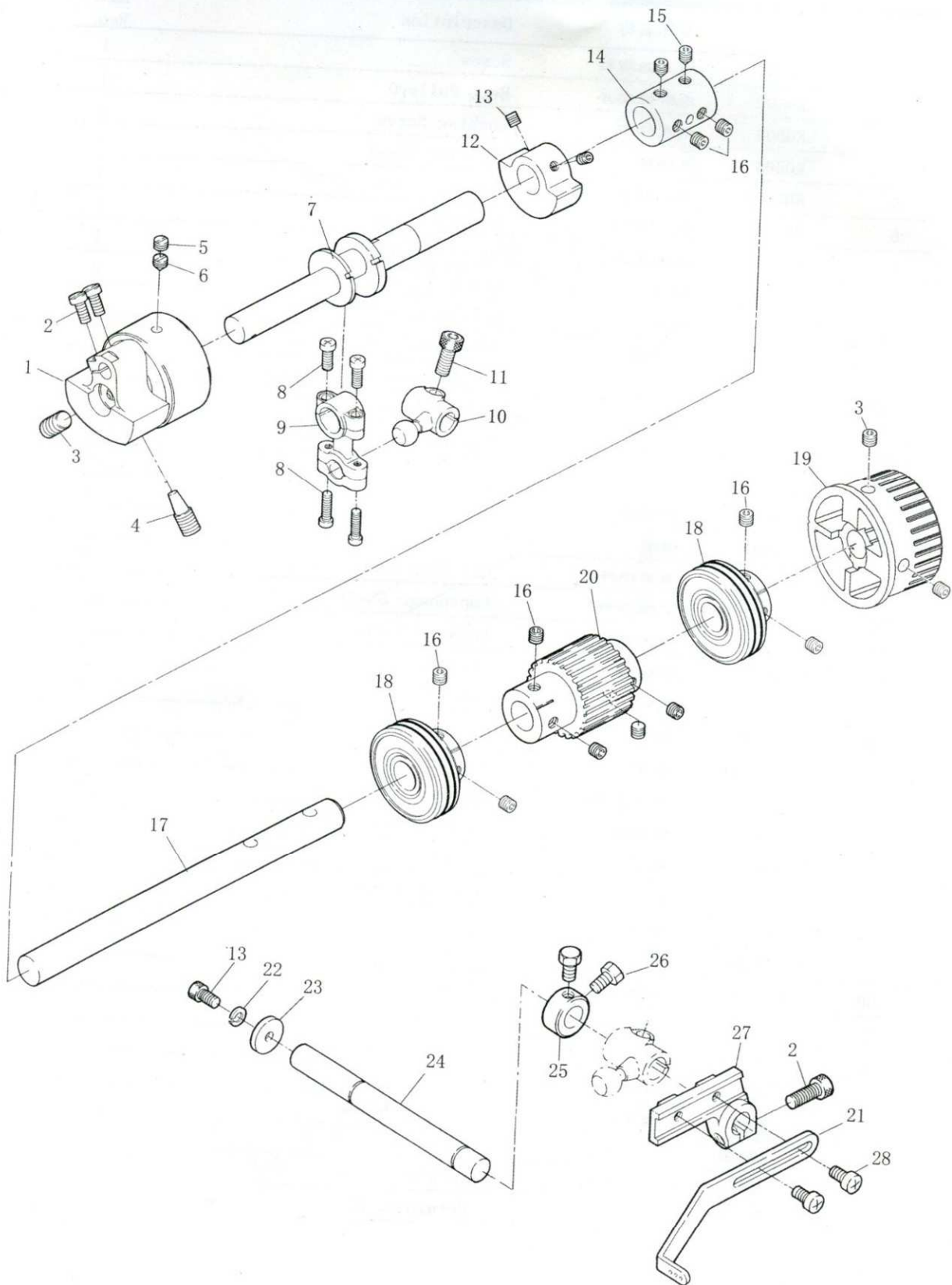


下轴机构

DOWN-SHAFT MECHANISM 5

Ref. No.	Parts. No.	零件名称	Description	Amt. Req.
1	K0501	内六角螺钉	Screw	1
2	K0502	皮带轮垫片	Belt Pulley0	1
3	K0503	紧定螺钉	Locking Screw	4
4	K0504	从动轮	Follower Wheel	1
5	K0505	紧定螺钉	Locking Screw	4
6	K0506	紧定螺钉	Locking Screw	1
7	K0507	后轴承盖	Ball Bearing Cover	1
8	K0508	螺钉	Screw	2
9	K0509	轴承	Ball Bearing	1
10	K0510	同步轮	Synchronous Belt Wheel	1
11	K0511	同步带	Synchronous Belt	1
12	K0512	轴承	Ball Bearing	1
13	K0513	同步轮	Synchronous Belt Wheel	1
14	K0514	内六角螺钉	Screw	2
15	K0515	平衡块	Back Balance	1
16	K0516	轴承	Ball Bearing	2
17	K0517	油泵蜗杆	Oil Pump Gear	1
18	K0518	下轴后节	Empennage Shaft	1
19	K0519	紧定螺钉	Locking Screw	2
20	K0520	下轴前节	Shaft	1
21	K0521	螺钉	Screw	4
22	K0522	连杆	Connecting Rod	1
23	K0523	曲柄	Lever	1
24	K0524	内六角螺钉	Screw	1
25	K0525	限位板	Spacing Black	1
26	K0526	轴	Shaft	1
27	K0527	轴承	Ball Bearing	2
28	K0528	卡簧	Retaining Ring	2
29	K0529	同步轮	Synchronous Belt Wheel	1
30	K0530	挡圈	Bead Flange	1
31	K0531	紧定螺钉	Locking Screw	2
32	K0532	同步带	Synchronous Belt	1
33	K0533	打线轮	Wheel	1
34	K0534	紧定螺钉	Locking Screw	2
35	K0535	定位螺钉	Screw	1
36	K0536	紧定螺钉	Locking Screw	1
37	K0537	卡簧	Retaining Ring	1

6

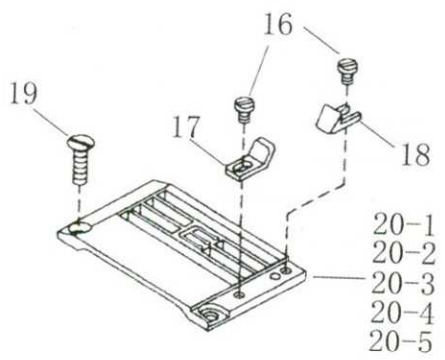
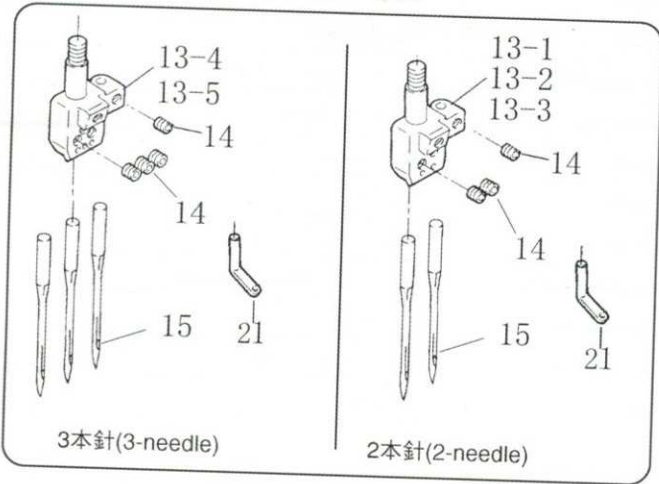
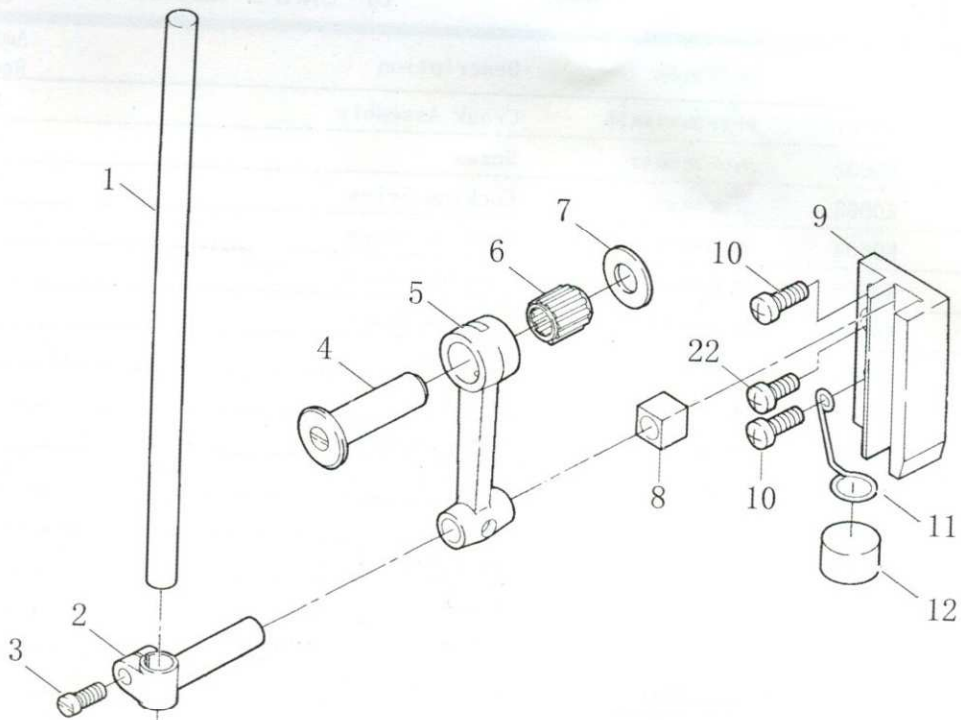


上轴机构

UP-SHAPE MECHANISM 6

Ref. No.	Parts. No.	零件名称	Description	Amt. Req.
1	K0601	针杆曲柄组件	Crank Assembly	1
2	K0602	内六角螺钉	Screw	2
3	K0603	紧定螺钉	Locking Screw	3
4	K0604	紧定螺钉	Locking Screw	1
5	K0605	紧定螺钉	Locking Screw	1
6	K0606	紧定螺钉	Locking Screw	1
7	K0607	上轴前节	Up-Shafe	1
8	K0608	螺钉	Screw	4
9	K0609	连杆	Connecting Rod	1
10	K0610	曲柄	Lever	1
11	K0611	内六角螺钉	Screw	1
12	K0612	平行块	Back Balance	1
13	K0613	内六角螺钉	Screw	2
14	K0614	下轴接套	Down-Shafe Bushing	1
15	K0615	紧定螺钉	Locking Screw	2
16	K0616	紧定螺钉	Locking Screw	11
17	K0617	上轴(后)	Up-Shafe(Rear)	1
18	K0618	轴承	Ball Bearing	2
19	K0619	手轮	Handwheel	1
20	K0620	上同步轮	Synchronous Belt Wheel	1
21	K0621	挑线杆	Swing Shafe	1
22	K0622	垫片	Washer	1
23	K0623	垫片	Washer	1
24	K0624	挑线轴	Stir Up Shafe	1
25	K0625	挑线轴紧圈	Stir Up Bead Flange	1
26	K0626	紧定螺钉	Locking Screw	2
27	K0627	挑线曲柄	Stir Up Crank	1
28	K0628	螺钉	Screw	2

7

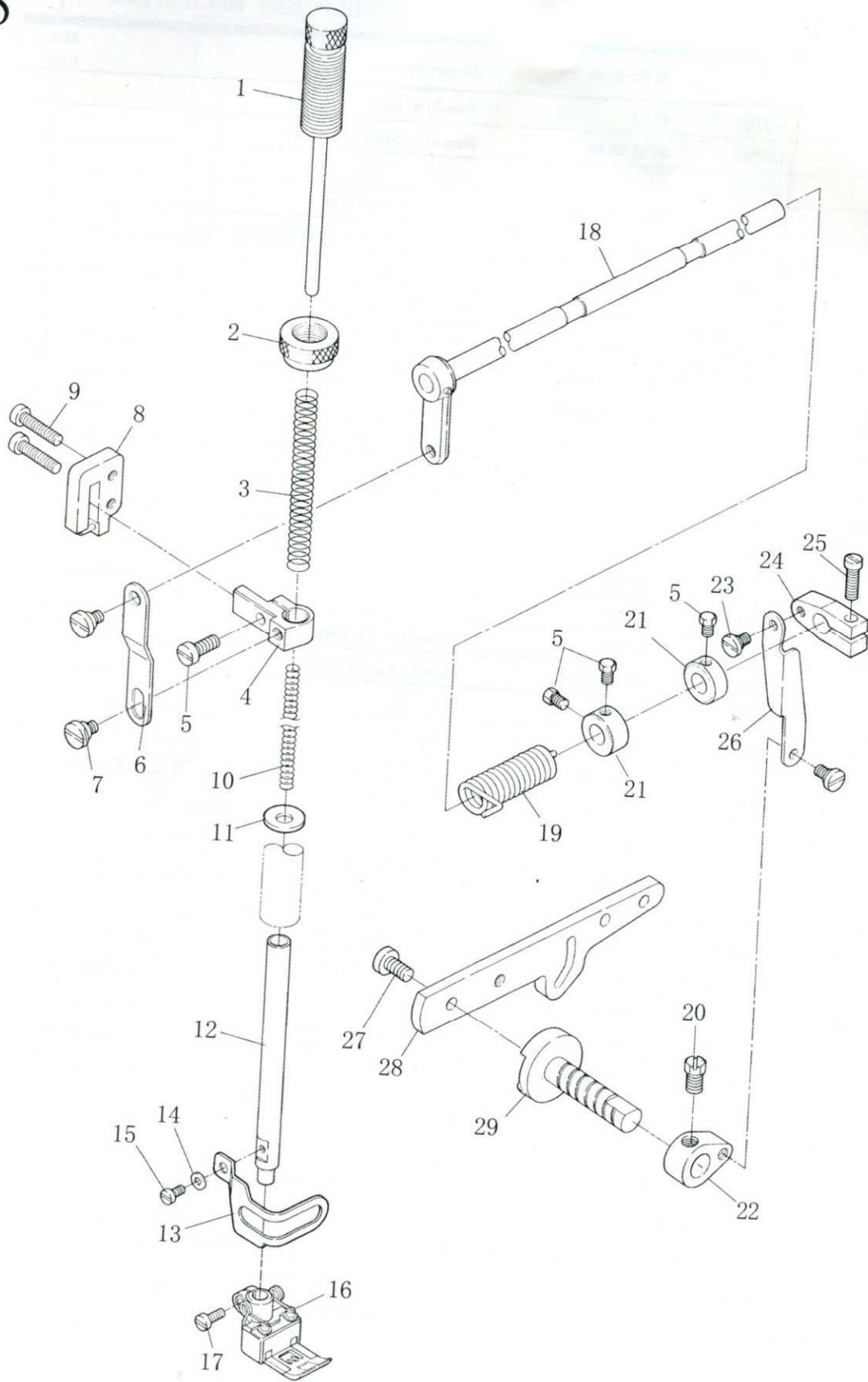


针杆机构

NEEDLE BAR MECHANISM 7

Ref. No.	Parts. No.	零件名称	Description	Amt. Req.
1	k0701	针杆	Needle Bar	0
2	k0702	针杆曲柄	Needle Shaft Crank	1
3	k0703	螺钉	Screw	1
4	k0704	针杆连杆销	Connecting Rod Pin	1
5	k0705	针杆连杆	Needle Shaft Connecting Rod	1
6	k0706	滚针轴承	Roller Bearing	1
7	k0707	针杆垫片	Needle Shaft Pad	1
8	k0708	针杆滑块	Slide Block	1
9	k0709	针杆滑块座	Slide Block Pedestal	1
10	k0710	内六角螺钉	Screw	2
11	k0711	油毡定位圈	Oil Felt Holder	1
12	k0712	油毛沾	Oil Felt	1
13	K0713.01	针榴	Needle Holder	1
14	K0713.02	针榴	Needle Holder	1
15	K0713.03	针榴	Needle Holder	1
16	K0713.04	针榴	Needle Holder	1
17	K0713.05	针榴	Needle Holder	1
18	K0714	锁定螺钉	Locking Screw	4
19	K0715	机针	Needle	3
20	K0716	螺钉	Screw	2
21	K0717	导布器(左)	Fabric Guide(Left)	1
22	K0718	右立骨	Guide Object	1
23	K0719	螺钉	Screw	1
24	K0720.1	针板	Stitch Plate	1
25	K0720.2	针板	Stitch Plate	1
26	K0720.3	针板	Stitch Plate	1
27	K0720.4	针板	Stitch Plate	1
28	K0720.5	针板	Stitch Plate	1
29	K0721	绷针过线丁	Thread Eyelet	1
30	K0722	内六角螺钉	Screw	1

8

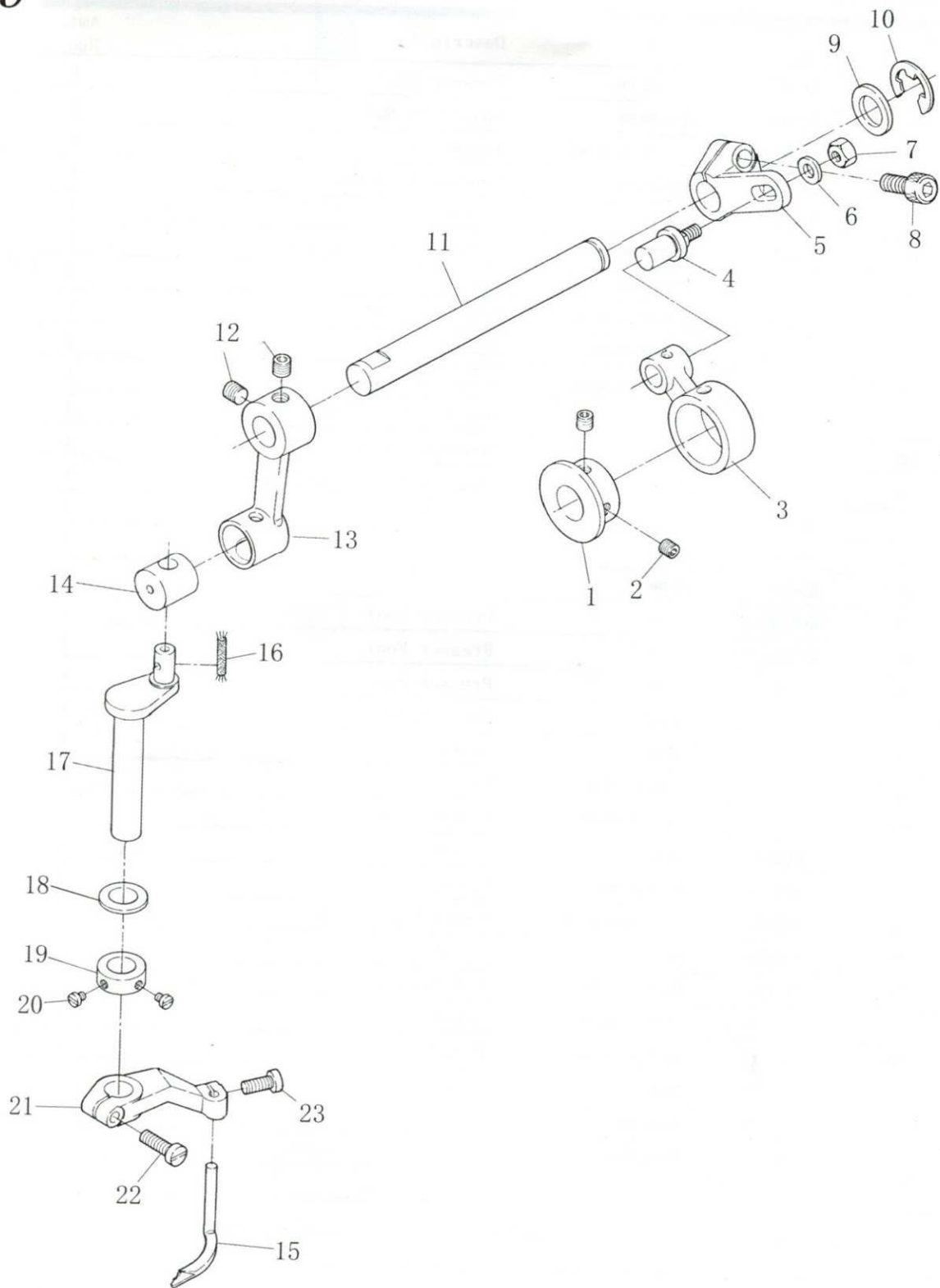


压脚机构

PRESSER FOOT MECHANISM 8

Ref. No.	Parts. No.	零件名称	Description	Amt. Req.
1	K0801	压脚压杆	Presser Shafe	1
2	K0802	调节螺母	Adjusting Nut	1
3	K0803	压紧杆内弹簧	Inner Spring	1
4	K0804	压脚导板	Presser Foot Guide	1
5	K0805	螺钉	Screw	4
6	K0806	杠杆链接板	Lever Connecting Black	1
7	K0807	轴位螺钉	Screw	2
8	K0808	压脚杆定位板	Presser Shafe Guide	1
9	K0809	内六角螺钉	Screw	2
10	K0810	压紧杆外弹簧	Outer Spring	1
11	K0811	油挡	Oil Baffle	1
12	K0812	压紧杆	Compress Shafe	1
13	K0813	压脚护板	Presser Foot Back Plate	1
14	K0814	垫片	Washer	1
15	K0815	螺钉	Screw	1
16	K0816.1	压脚	Presser Foot	1
17	K0816.2	压脚	Presser Foot	1
18	K0816.3	压脚	Presser Foot	1
19	K0816.4	压脚	Presser Foot	1
20	K0816.5	压脚	Presser Foot	1
21	K0817	螺钉	Screw	1
22	K0818	压脚长杠杆	Lever	1
23	K0819	长杠杆弹簧	Lever Spring	1
24	K0820	螺钉	Screw	1
25	K0821	杠杆紧圈	Lever Bead Flange	2
26	K0822	压脚轴定位块	Fixed Position Black	1
27	K0823	螺钉	Screw	2
28	K0824	提升摆动块	Lifting Swing Object	1
29	K0825	内六角螺钉	Screw	1
30	K0826	抬压脚吊板	Pull Plate	1
31	K0827	螺钉	Screw	1
32	K0828	抬压脚板	Presser Foot Lifter	1
33	K0829	抬压脚轴	Presser Foot Shafe	1

9

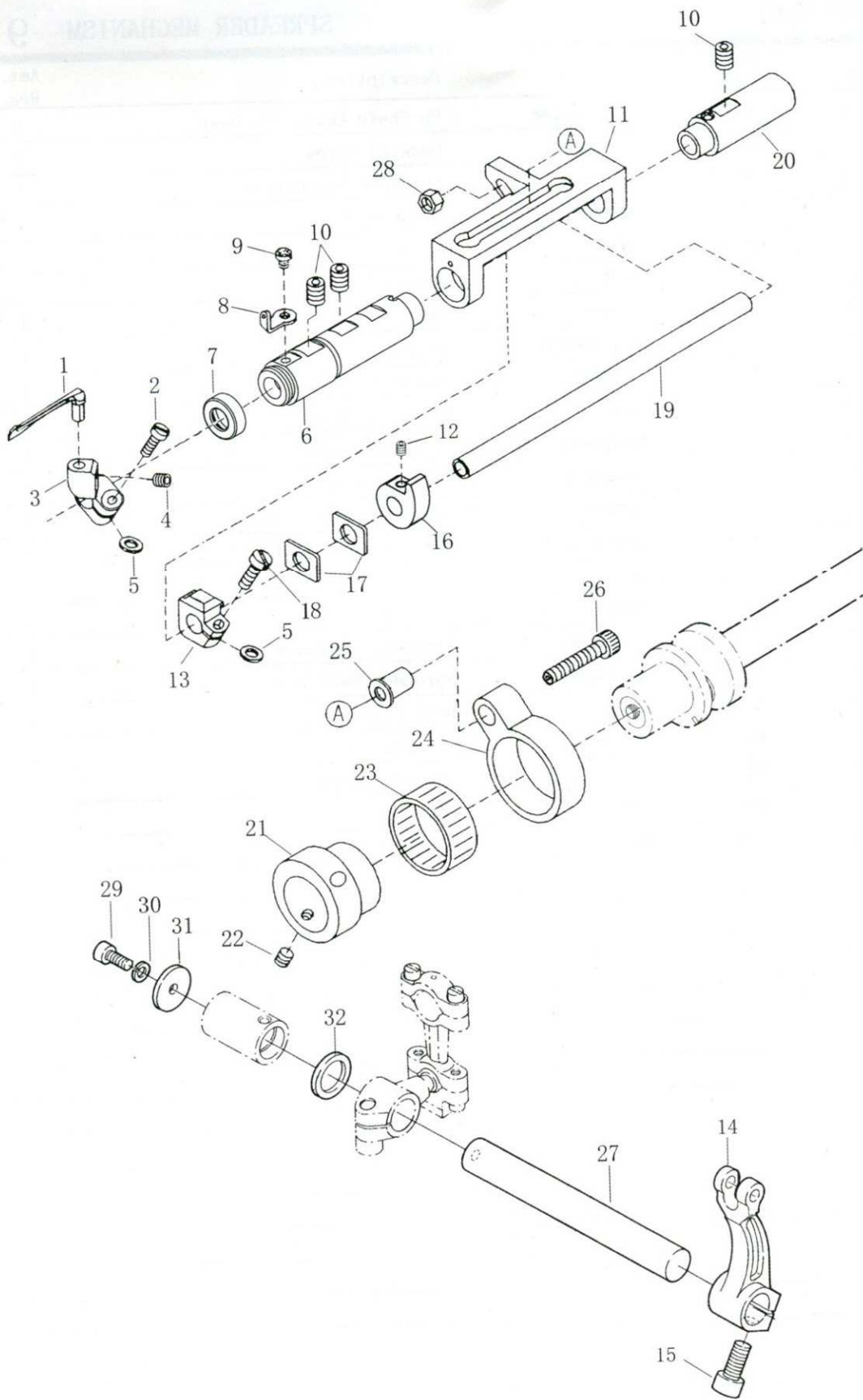


绷针机构

SPREADER MECHANISM 9

Ref. No.	Parts. No.	零件名称	Description	Amt. Req.
1	K0901	上轴偏心轮	Up-Shafe Eccentric Gear	1
2	K0902	紧定螺钉	Locking Screw	2
3	K0903	绷针连杆	Spreader Connecting Rod	1
4	K0904	曲柄轴	Crank Shafe	1
5	K0905	曲柄	Lever	1
6	K0906	垫片	Washer	1
7	K0907	螺母	Nut	1
8	K0908	内六角螺钉	Screw	1
9	K0909	大垫圈	Big Pad	1
10	K0910	卡簧	Retaining Ring	1
11	K0911	绷针横轴	Spreader Shafe	1
12	K0912	紧定螺钉	Locking Screw	2
13	K0913	绷针摆动杆	Spreader Swing Rod	1
14	K0914	绷针滚块	Spreader Arthrodia	1
15	K0915	绷针	Thread Guide	1
16	K0916	油线	Oil String	1
17	K0917	绷针竖轴	Spreader Uprights	1
18	K0918	绷针紧圈	Spreader Bead Flange	1
19	K0919	挡圈	Bead Flange	1
20	K0920	紧定螺钉	Locking Screw	2
21	K0921	绷针架	Spreader Frame	1
22	K0922	螺钉	Screw	1
23	K0923	螺钉	Screw	1

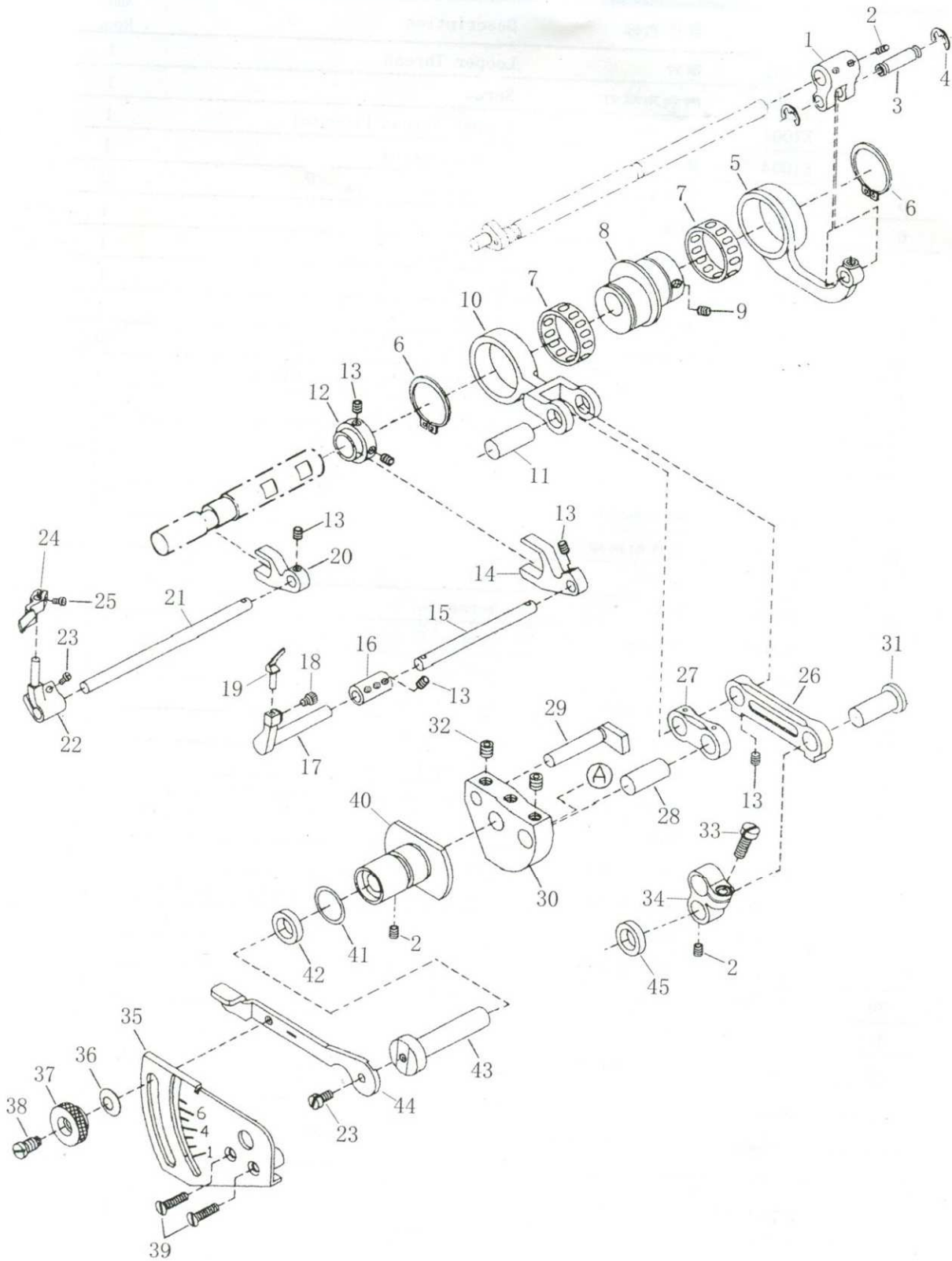
10



弯针机构

LOOPER DRIVING MECHANISM 10

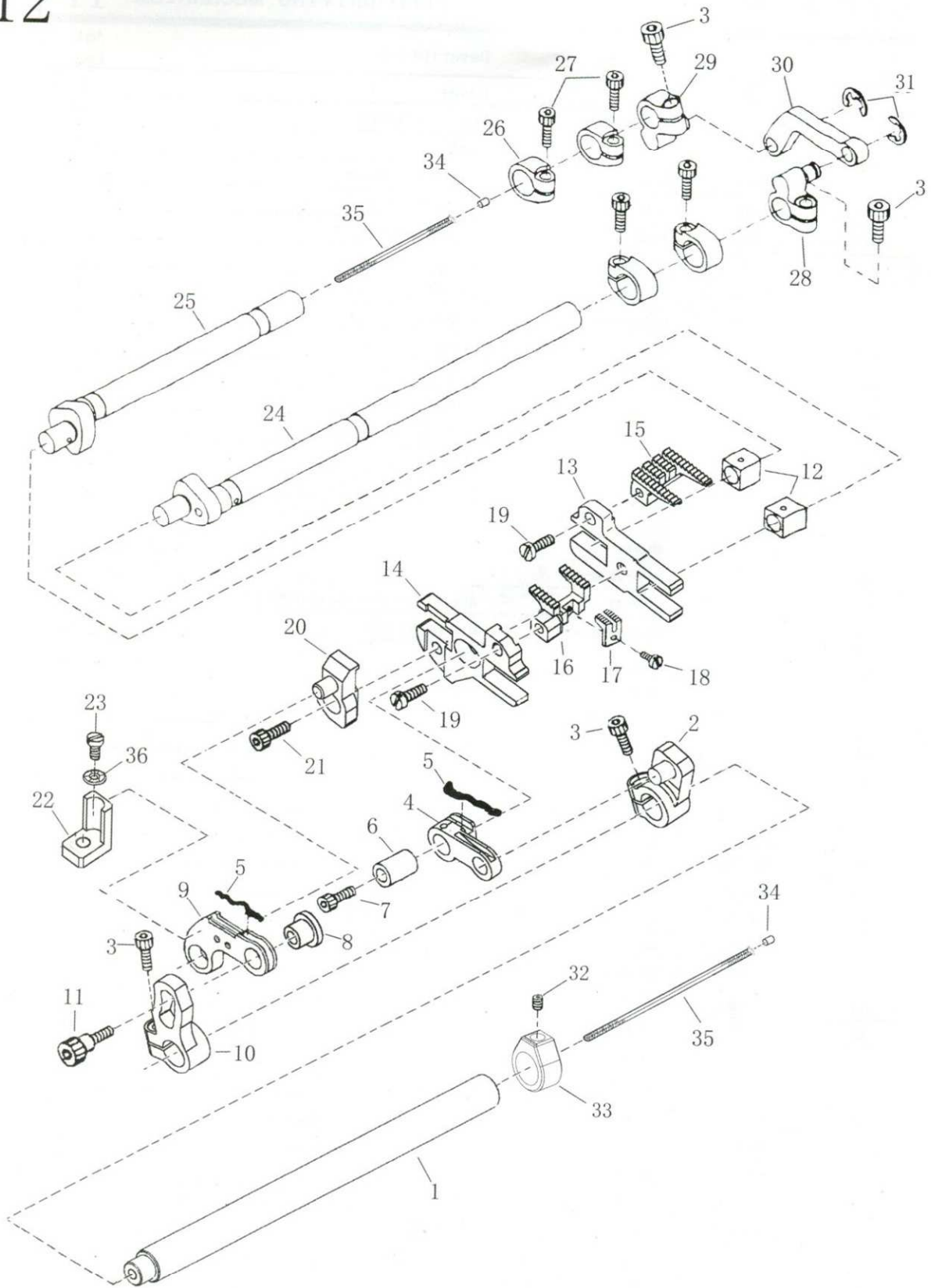
Ref. No.	Parts. No.	零件名称	Description	Amt. Req.
1	K1001	弯针	Looper Thread	1
2	K1002	内六角螺钉	Screw	1
3	K1003	弯针座	Looper Thread Pedestal	1
4	K1004	紧定螺钉	Locking Screw	1
5	K1005	弯针曲柄座垫圈	Crank Pad	2
6	K1006	轴套	Collar	1
7	K1007	密封圈	Oil Ring	1
8	K1008	过线板	Eyelet	1
9	K1009	螺钉	Screw	1
10	K1010	紧定螺钉	Locking Screw	3
11	K1011	弯针摆座	Looper Thread Swing Block	1
12	K1012	紧定螺钉	Locking Screw	1
13	K1013	弯针曲柄座(左)	Left Crank Pedestal	1
14	K1014	弯针传动轴连杆	Transmission Shafe	1
15	K1015	内六角螺钉	Screw	1
16	K1016	弯针曲柄座(右)	Right Crank Pedestal	1
17	K1017	挡片	Pad	2
18	K1018	螺钉	Screw	1
19	K1019	弯针轴	Looper Thread Shafe	1
20	K1020	轴套	Collar	1
21	K1021	弯针凸轮	Looper Thread Cam	1
22	K1022	紧定螺钉	Locking Screw	1
23	K1023	滚针轴承	Roller Bearing	1
24	K1024	弯针凸轮连杆	Looper Thread Cam Connecting Rod	1
25	K1025	销套	Bush	1
26	K1026	内六角螺钉	Screw	1
27	K1027	弯针传动轴	Transmission Shafe Connecting Rod	1
28	K1028	螺母	Nut	1
29	K1029	内六角螺钉	Screw	1
30	K1030	垫片	Washer	1
31	K1031	垫圈	Pad	1
32	K1032	曲柄轴套垫片	Crank Bead Flange	1



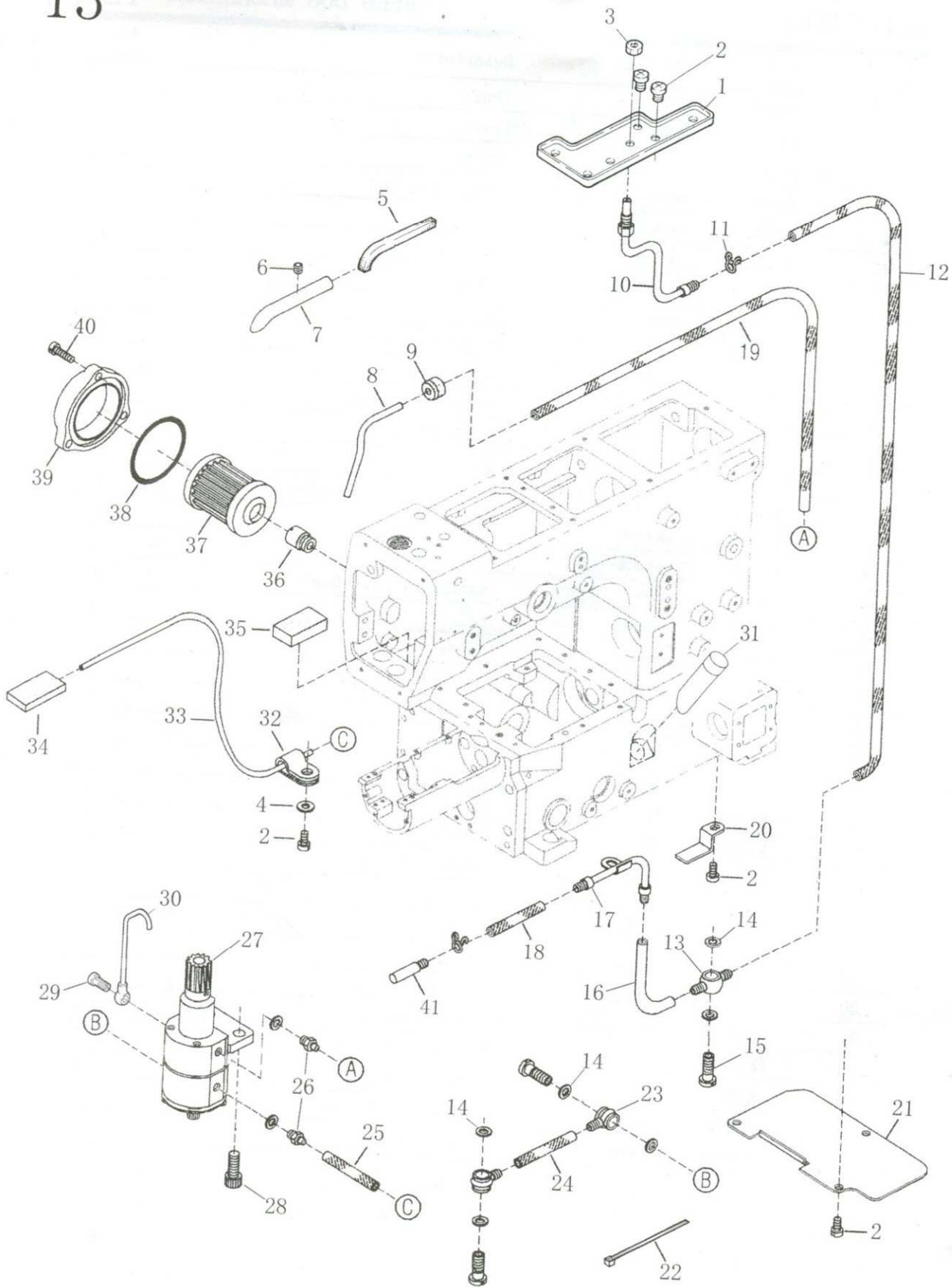
送料驱动机构

FEED DRIVING MECHANISM 11

Ref. No.	Parts. No.	零件名称	Description	Amt. Req.
1	K1101	曲柄	Lever	1
2	K1102	紧定螺钉	Locking Screw	4
3	K1103	销套	Bush	1
4	K1104	卡簧	Retaining Ring	2
5	K1105	连杆	Connecting Rod	1
6	K1106	卡簧	Retaining Ring	2
7	K1107	滚针轴承	Needle Bearing	2
8	K1108	偏心轮	Eccentric Gear	1
9	K1109	紧定螺钉	Locking Screw	2
10	K1110	连杆	Connecting Rod	1
11	K1111	销	Roll Pin	1
12	K1112	偏心轮	Eccentric	1
13	K1113	紧定螺钉	Locking Screw	3
14	K1114	滑块	Slide Block	1
15	K1115	轴	Shaft	1
16	K1116	套	Bushing	1
17	K1117	曲柄	Lever	1
18	K1118	内六角螺钉	Screw	1
19	K1119	前护针	Ahead Needle Guard	1
20	K1120	护针驱动块	Drive Black	1
21	K1121	轴	Shaft	1
22	K1122	曲柄	Lever	1
23	K1123	内六角螺钉	Screw	2
24	K1124	后护针	Hinder Needle Guard	1
25	K1125	螺钉	Screw	1
26	K1126	连杆	Connecting Rod	1
27	K1127	连杆	Connecting Rod	1
28	K1128	销	Roll Pin	1
29	K1129	挡板	Block	1
30	K1130	滑块	Slide Block	1
31	K1131	销	Roll Pin	1
32	K1132	紧定螺钉	Locking Screw	3
33	K1133	内六角螺钉	Screw	1
34	K1134	送料曲柄	Feed Crank	1
35	K1135	刻度板	Graduated Disk	1
36	K1136	轴位螺钉	Screw	1
37	K1137	滚花螺母	Nut	1
38	K1138	螺钉	Screw	1
39	K1139	螺钉	Screw	2
40	K1140	轴套座	Collar Black	1
41	K1141	O型圈	Oil Ring	1
42	K1142	密封圈	Oil Ring	1
43	K1143	轴	Shaft	1
44	K1144	手柄	Hand Shank	1
45	K1145	垫片	Washer	1



Ref. No.	Parts. No.	零件名称	Description	Amt. Req.
1	K1201	轴	Shaft	1
2	K1202	曲柄	Lever	1
3	K1203	内六角螺钉	Screw	2
4	K1204	连杆	Connecting Rod	1
5	K1205	油线	Oil String	2
6	K1206	销	Roll Pin	1
7	K1207	内六角螺钉	Screw	1
8	K1208	销套	Bush	1
9	K1209	连杆	Connecting Rod	1
10	K1210	曲柄	Lever	1
11	K1211	调节螺钉	Adjusting Screw	1
12	K1212	滑块	Slide Block	2
13	K1213	送料牙架	Main Feed Bar	1
14	K1214	差动牙架	Differential Feed Bar	1
15	K1215	送料牙	Main Feed Dog	1
16	K1216	差动牙	Differential Feed Dog	1
17	K1217	副牙	Auxiliary Feed Dog	1
18	K1218	螺钉	Screw	1
19	K1219	螺钉	Screw	1
20	K1220	滑块	Slide Block	1
21	K1221	内六角螺钉	Screw	1
22	K1222	挡板	Block	1
23	K1223	螺钉	Screw	1
24	K1224	轴	Shaft	1
25	K1225	轴	Shaft	1
26	K1226	轴挡	Baffle	4
27	K1227	内六角螺钉	Screw	4
28	K1228	曲柄	Lever	1
29	K1229	曲柄	Lever	1
30	K1230	连杆	Connecting Rod	1
31	K1231	开口挡圈	Retaining Ring	2
32	K1232	紧定螺钉	Locking Screw	1
33	K1233	挡圈	Bead Flange	1
34	K1234	塞子	Plug	1
35	K1235	油线	Oil String	1



润滑机构

LUBRICATING MECHANISM 13

Ref. No.	Parts. No.	零件名称	Description	Amt. Req.
1	K1301	上油盘	Up-Oil Container	1
2	K1302	螺钉	Screw	7
3	K1303	螺母	Nut	1
4	K1304	垫片	Washer	1
5	K1305	方油毛毡	Oil Felt	1
6	K1306	紧定螺钉	Locking Screw	1
7	K1307	回油管	Suction Pipe	1
8	K1308	铜油管	Cuprum Oil Pipe	1
9	K1309	塞子	Plug	1
10	K1310	下轴前座油管	Down-Shafe Oil Pipe	1
11	K1311	油管卡	Oil Pipe Holder	8
12	K1312	长油管	Longer Oil Pipe	1
13	K1313	油管接头	Oil Pipe Connect	1
14	K1314	密封垫	Oil Gasket	6
15	K1315	油管螺钉	Oil Screw	3
16	K1316	油管	Oil Pipe	1
17	K1317	铜油管	Cuprum Oil Pipe	1
18	K1318	短油管	Short Oil Pipe	1
19	K1319	长油管 (细)	Longer Oil Pipe (S)	1
20	K1320	板	Plate	1
21	K1321	板	Plate	1
22	K1322	扎带	Ribbon	1
23	K1323	单孔油管接头	One Eye Oil Connect	1
24	K1324	油管	Oil Pipe	1
25	K1325	油管	Oil Pipe	1
26	K1326	接头	Connector	1
27	K1327	油泵组件	Oil Pump Assembly	1
28	K1328	内六角螺钉	Screw	2
29	K1329	通油螺钉	Oil Screw	1
30	K1330	蜗轮油管	Worm Gear Oil Pipe	1
31	K1331	油标	Oil Sign	1
32	K1332	管夹	Pipe Hold	1
33	K1333	铜油管	Cuprum Oil Pipe	1
34	K1334	毛毡	Felt	1
35	K1335	大油毛毡	Big Oil Felt	1
36	K1336	铜接头	Cuprum Connect	1
37	K1337	滤芯器	Cartridge Filter	1
38	K1338	油封	Oil Seal	1
39	K1339	滤油器盖	Cartridge Filter Cover	1
40	K1340	螺钉	Screw	3
41	K1341	喷油嘴	Injectiong Nozzle	1

-12