

# **GLOBAL**

---

**INDUSTRIAL SEWING MACHINES**

**MODEL BM-9280**  
**BLINDSTITCH MACHINES**

**PARTS BOOK**  
**INSTRUCTION MANUAL**

## INDEX

1. Setting up Machine for Work .....	2
A. Location .....	2
B. Installing Thread Stand .....	2
C. Connecting Motor Controller .....	3
D. Assembly of knee Lifter .....	4
2. Lubrication .....	4
3. Needles and Thread .....	5
4. Replacing the Needle .....	6
5. Threading Machine .....	6
6. Inserting the Work Piece and Starting to Sew .....	8
7. Adjustment of Thread Tension .....	9
8. Regulating Stitch Length .....	10
9. Adjustment of Needle Penetration .....	10
10. Removal of the Work from the Machine .....	11
11. Skip Stitch Device .....	12

# INDEX

## OPERATING INSTRUCTION

1.Unpacking Machine.....	1
2.Setting-up Machine.....	1
3.Setting-up Work plate.....	2
4.Handwheel Rotation and Speed.....	2
5.Oiling and Maintenance.....	3
6.Needle Recommendation.....	3
7.Replacing Needle.....	3
8.Threading Machine.....	4
9.Stitch Length Regulation.....	4
10.Adjustment of Needle Penetration.....	5
11.Removal of the work from the machine.....	5
12.Cloth Retainer Adjustment.....	6
13.Adjustment of the Machine.....	6

## 一、Unpacking Machine

Unpack machine from its shipping box, making certain that you remove from box all component parts and accessories. Do not discard any packing material without prior scrutiny as to contents.

Clean from machine all greases, dirt, or dust.

Pay particular attention to area around the looper mechanism and looper.

## 二、Fitting machine head(Fig.1、 Fig.2)

①Put pads “A” , “B” , “C” , “D” , “E” onto the table in order as shown in fig1. Insert four hexagon head bolts with small head “F” into the holes. After putting on washers “G” and “H”, put on hexag nuts “I” , tighten the four nuts diagonally, and fix the machine head on the table .

②Connect front end of long shaft with knee lifter “K” and sleeve “L” . When the crossbar of knee lifter is 1cm distant from the front end of table “J” , fix the sleeve.

③Put on “V” belt “N”, move the motor leftwards or rightwards so as to fix the motor under the sewing table after making the motor pulley in alignment with handwheel. Regulate the motor’s height in order to make the belt in an appropriate state of tightness.

④First fix the motor switch at the bottom right place of the front end of sewing table for the convenience of operation, and then turn on the power.

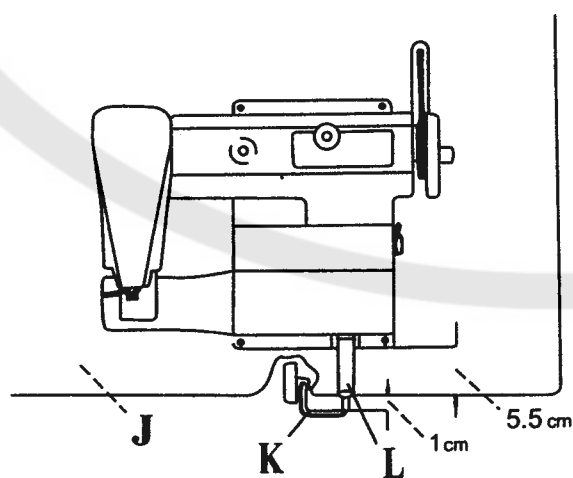


Fig.2

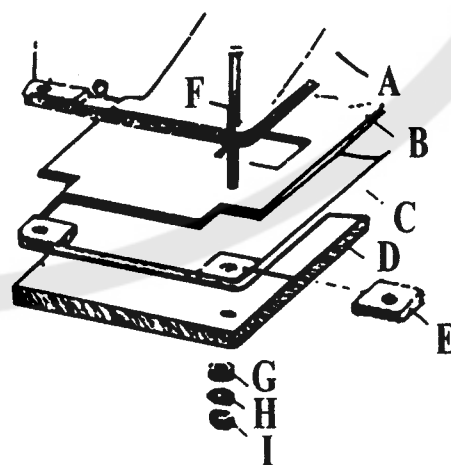


Fig.1

### 三、Fitting work plate components(Fig.3)

①Fix bracket "A" on machine head with bracket screw "B" (Spring pin "J",short and long spring leaves are already assembled).

②First turn collar screw "G" up tight into the hole of work plate shaft "C",and then insert the work plate shaft into the hole of the bracket,finally put on retainer ring "F" and tighten retainer ring screw "H".Be sure to make the shaft rotate smoothly while securing the work plate shaft in place.

③Insert positioning pin "D" into the hole of positoning sleeve "K" and turn it up tight with screw in direction of location.

④Insert work plate shaft "D" into the right hole of the bracket,after regulating the height of the wore plate "E",tighten screw "I".

⑤Be flexible to open or close work plate;capable of auto-lock control of it.

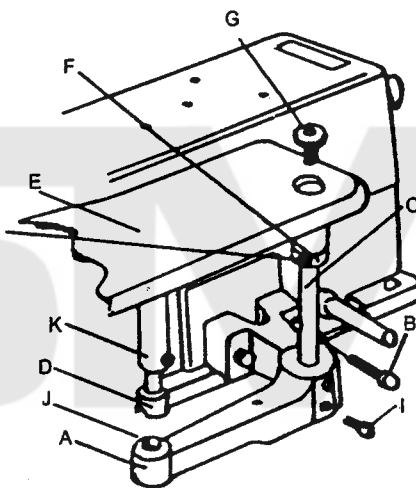


Fig.3

### 四、Operating the Machine

#### 1. Rotating direction and sewing speed of main shaft

Rotating direction of handwheel shall be clockwise(observed from the right side to the left one),it is recommended that the sewing speed of a new machine shall be lower than 1,800s.p.m. In a period of one or two months of trial run,the sewing speed can be increased up to a max.normal one on condition that the operator has been skill in operating machine.(The electrical machinary with the rotational speed for 1400 Round/minute should se adopted)

.2.

## 五、Lubrication

First inject several drops of oil at all points shown on the oiling chart Fig.4 before operating machine so as to ensure the lubricating of the parts running against each other, and then operate the machine at a lower speed for several minutes. It is required to oil twice a day at least. After oiling the machine shall run idle for one or two minutes, and then clean the grease dirt on each part of it, finally start sewing operation.

## 六、Sepecifications

Select proper needle and thread according to sewing materials.

Needle Size	Thread Size		Material
	Cotton Thread	Polyester Cotton Thead	
3(11)	7.5tex	7.4tex	Light weight material
3½(14)	9.5tex		Medium weight material
4(16)	14.5tex	14.8tex	Heavy weight material

## 七、Needle replacement(Fig.5)

Turn handwheel until the needle reaches the left limit. Turn penetration dial(knob) toward position "1" (where minimum amount of penetration is indicated). Remove the worn-out needle by loosening needle clamp screw "B", and insert new needle "C". Calibrate the position of basic surface, and make the shank come in contact with position pin "E".

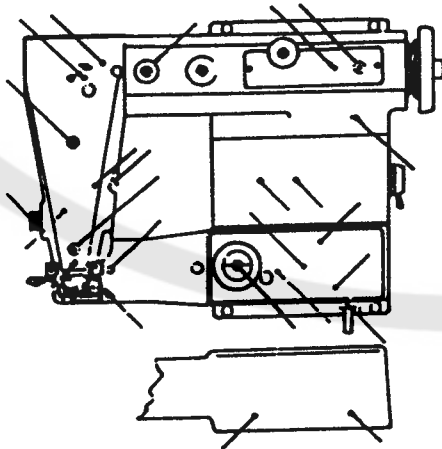


Fig.4

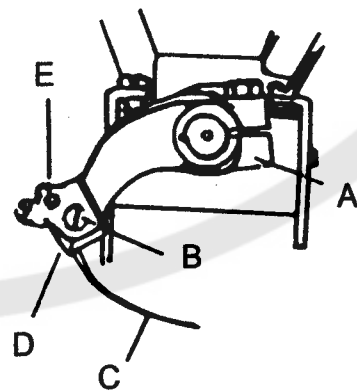


Fig.5

## 八、Threading Machine(Fig.6)

Turn handwheel of machine in clockwise direction away from operator until needle carrier reaches its furthest left hand position. And proceed as follows:

Draw thread from spool on thread stand and pass it through thread guide(A) which is located on rear side of thread nipper.

Place thread between tension discs of thread nipper and thread tension and lead it forward through thread guide(B) and pass it through thread guide(C) at the top of the arm near its front.

From there pass thread through hole in needle clamp and then through the eye of needle from below upward. Pull about 5 cm of thread through the eye of needle.

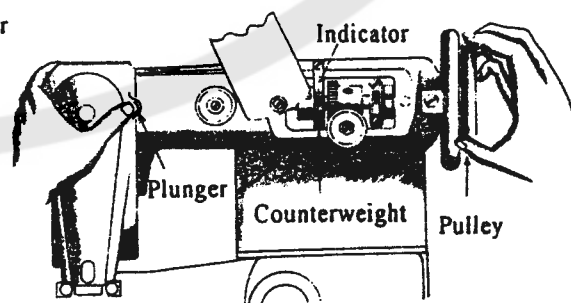
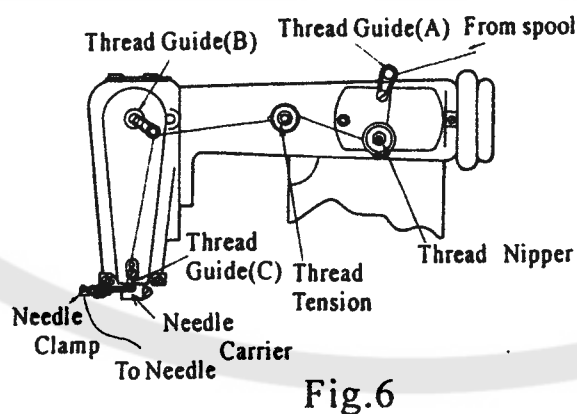
## 九、Stitch Length Regulation(Fig.7)

Stitch length adjustment can be easily effected by adjusting needle driving eccentric in arm.

Go about it as follows:

Turn handwheel by hand pushing plunger until same is felt to drop into a recess within the mechanism inside the arm of the machine.

With the plunger remaining depressed into this recess continue turning the handwheel either forward or in reverse until the desired number of stitches per inch is visible on indicator.



#### 十、 Adjustment of blindstitch sewing penetration(Fig.8)

Regulator for ridge forming disc height is fixed in the middle of the lower arm base, within which knob "A" is located and out of which indicating ring "B" is located. Blindstitch sewing penetration depends on the height of ridge forming disc "C", but penetration changes with the changing of thickness for sewn materials. Before operation, a trial sewing reining of several stitches shall be made. Regulate penetration accordingly with the degree of exposure for stitching to make it in an ideal state. Turn the knob clockwise to lower ridge forming disc for and increase of penetration.

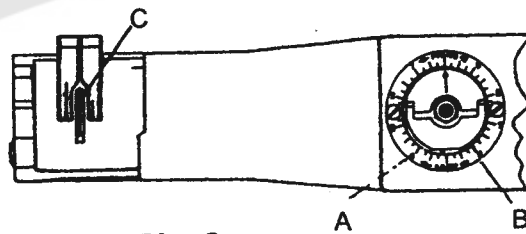


Fig.8

#### 十一、 Removal of the Work from the Machine(Fig.9)

Stop machine and turn handwheel away from operator until needle is completely out of the material. Press the knee lifter to the right stroke and pull the work-piece rearward out of the machine with a quick stroke. This will lock the last stitch and break the thread.

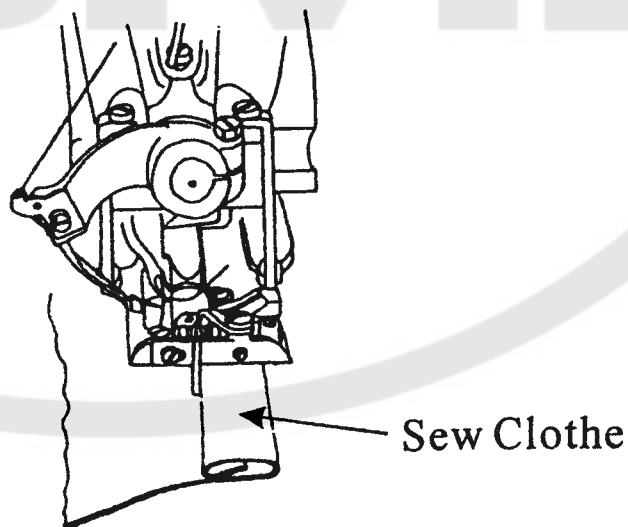


Fig.9



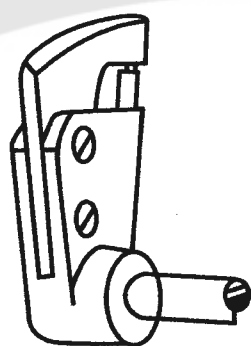
## 十二、Cloth Retainer Adjustment(Fig.10、 Fig.11)

As the Model \_\_\_\_\_ is equipped with automatic ridge forming disc, the pressure of the cloth retainer must be adjusted according to the thickness of material.

In case of thick material, turn cloth retainer positioning screw counter-clockwise.

In case of thin material, turn this screw clockwise.

After getting the desired pressure, tighten nut firmly.



Automatic Ridge Forming Disc

Fig.10

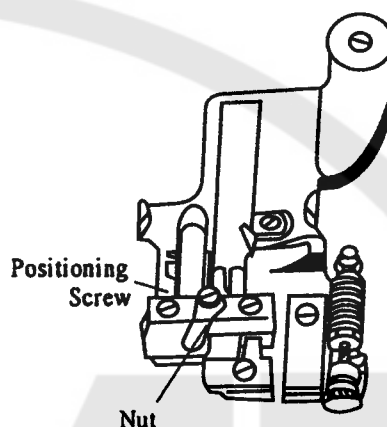


Fig.11

## 十三、Adjustment

### 1、Adjusting Needle to Presser Foot(Fig.12-17)

Be sure that the needle centers in the needle groove in the presser foot.

The following steps must be taken.

Loosen clamp screw(A) adjust needle carrier(D) to pass the needle through the center of the needle groove(C) in the presser foot and tighten screw(A).

Next, adjust the limit of needle stroke. As the limit of the needle stroke is relative to the timing of the looper, the correct adjustment should be taken. Turn handwheel clockwise by hand until the needle point reaches at the extreme right end of its stroke and adjust needle carrier(Fig13-D) so that the needle point

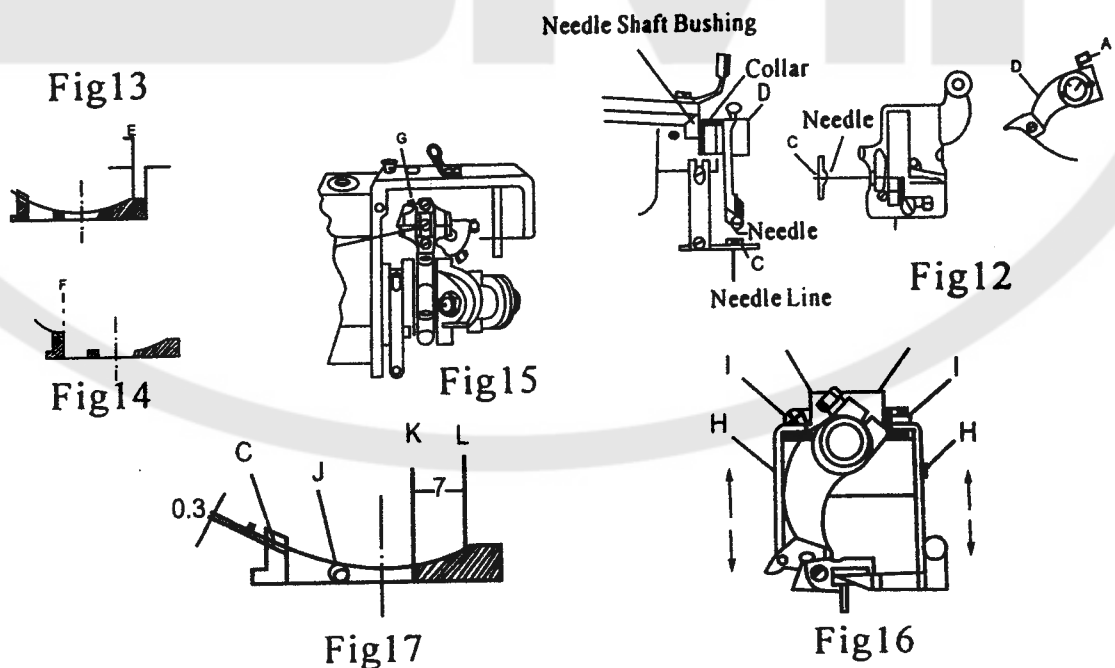
(E) should be at 2mm. distant from right end of presser foot. Then, when the needle is at the extreme left end of its stroke, the following steps must be taken so that the needle is at the extreme left end of its stroke, the following steps must be taken so that the needle point will be at the point (F). Loosen ball stud set screw(G) by screwdriver through the hole on machine arm and turn the screwdriver slot in the needle eccentric ball stud by screwdriver from the rear.

As the ration of this eccentric ball is 1.7mm ,when eccentric ball moves toward right, the limit of the needle stroke increases.

Be sure to repeat the above adjustment so that the points(E)&(F) will be settled as per Figs.13&14.

When getting the satisfactory adjustment on needle, loosen presser foot bracket holding screw(H), and regulate presser foot bracket adjusting screw(I) so that the needle passes through 0.3mm upper than the ceter of the needle groove in the presser foot, then needle point touches slightly to the presser foot at the point (J) and touches completely to the presser foot at the point(L) where parts 7mm from point (K).

Tighten two presser foot bracke holding serews(H) Furthermore, When the above adjustment is over, tighten clamp screw(A)(Fig12)



## 2、 Adjusting looper (Fig.18-23)

Turning the handwheel clockwise, the following steps must be taken.

a) Turn the looper drive crank(A) until the timing mark “.” on the crank coincides with the center of “V” groove on the main shaft(B).

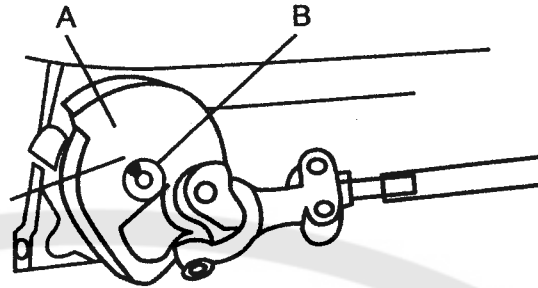


Fig.18

b) Loosen set screw(E) and move looper ball joint adjusting sleeve(D) rightward and leftward so that the long prong of the looper (C) passes through 2mm. distant from inner end of needle eye. At the same time, loosen looper nut(F) and set screw(H) for looper yoke(G), adjust the point(J) of looper carrier by spanner so that the long prong of the looper passes through the nearest point on the needle.

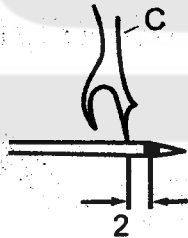


Fig.19

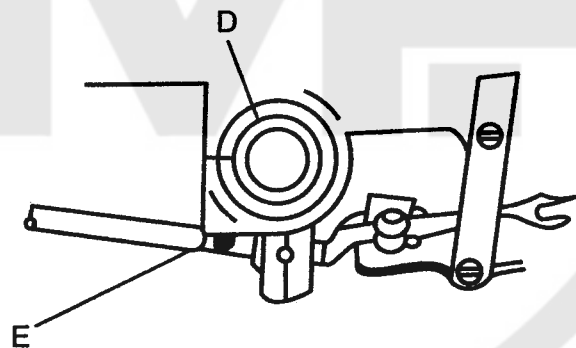


Fig.20

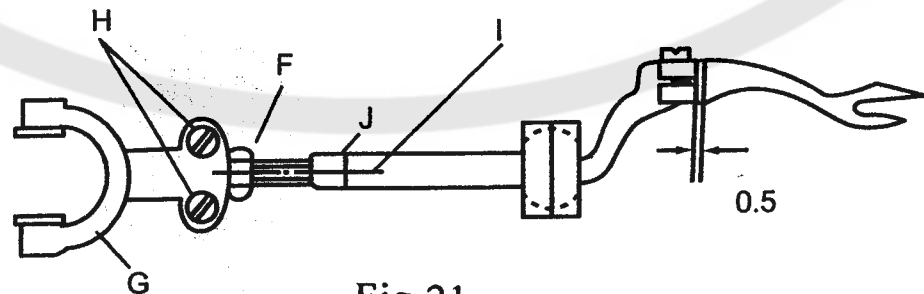


Fig.21

c) Be sure that the short prong of looper passes through the nearest point on the needle guide(K) and if it touches to the needle guide(K), adjust looper ball joint adjusting sleeve (Fig21-D) rightward and leftward or change the timing of the looper.

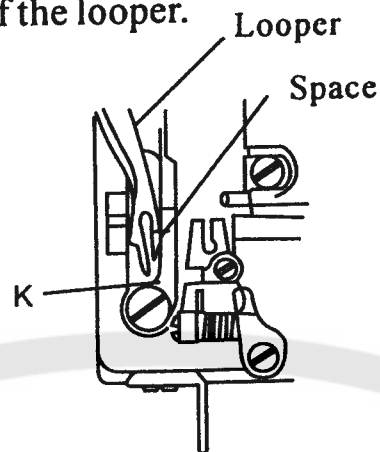


Fig.22

d) When the looper is at the looper groove of the presser foot, adjust looper ball joint adjusting sleeve (Fig20-D) so that the needle passes between the prongs of looper.

Be sure to repeat the above adjustment until the looper will move in accordance with this manual.

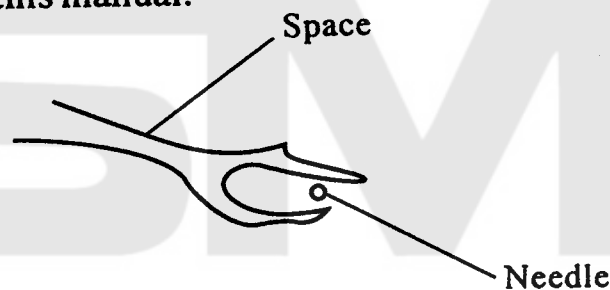


Fig.23

### 3. Adjusting the Ridge Forming Disc

The following steps should be taken so that ridge forming disc will be adjusted as per Figs24&25 (Will be at the center of the groove on presser foot as per Fig.24 and coincide with "V" groove of cloth retainer as per

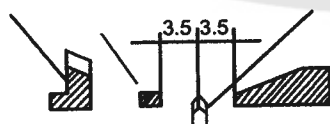


Fig.24



Fig.25

Adjust the pivot bearing screw(B)to take up all end play in ridge forming disc shaft holder(A)and lock the pivot bearing screw(B)by tightening set screw(C).

Then,loosen ridgeforming disc shaft collar set screw(E)and ball joint crank set screw(G)so that ridge forming disc shaft(H)can move on both sides,and set ridge forming disc as shown in Figs.24&25.

Bring ridge forming disc shaft sleeve(I)and collar(D)to the end of ridge forming disc shaft holder(A)by left hand as per Fig.26 and tighten ridge forming disc shaft collar set screw(E).

Tighten ball joint crank set screw(G)lightly and turn hand wheel clockwise until the needle point reaches at the center of slot in the presser foot.

At this time ,loosen set screw(G)and adjust ridge forming disc(L) so that the end of this disc will be 3mm distant from the center of needle as per Fig27-1 for Models JK-T510,the location of the ridge forming disc is as shown in Fig.27-2.

Then,tighten set screw(G)to take up all end play in the ridge forming disc shaft.

To remove the ridge forming disc(L),remove the left hand feed plate holder(M),ridge forming disc nut(J)on end of ridge forming disc shaft(H)and remove the washer(K)and ridge forming disc(L).

When reassembling the ridge forming disc(L),care must be taken that the ridge forming disc positioning pin(N)engages the slot in the ridge forming disc.

Assemble the washer(K)and nut(J)and tighten firmly.

NOTE:To tighten nut(J),turn it counter-clockwise;To loosen nut (J),turn it clockwise.

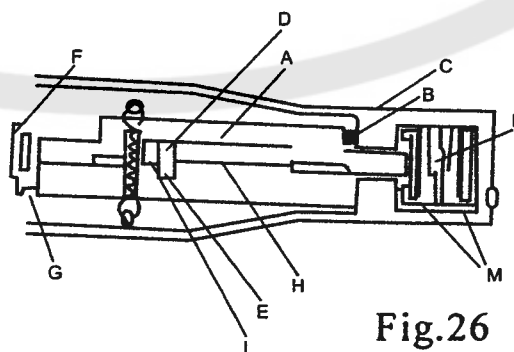


Fig.26

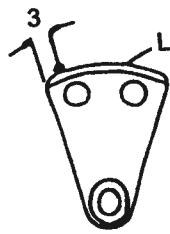


Fig.27-1

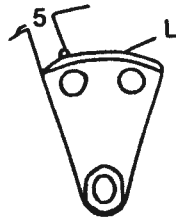
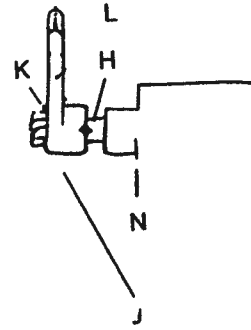


Fig.27-2



#### 4. Adjusting Feed Plate(Fig.28)

The feed plate presses the work against the bottom of the presser foot and feed dog, when on its feeding stroke by two springs.

There must be enough pressure applied to hold the work from moving when the needle penetrates the material, for if the material moves with the needle, a loop will not be formed for the looper, resulting in skip stitch.

In this case, loosen the end cover set screw (A) for removing the end cover (B) and adjust the nut (C) to regulate its pressure.

To increase the pressure, turn the nut (C) clockwise.

To decrease the pressure, turn the nut (C) counter clockwise.

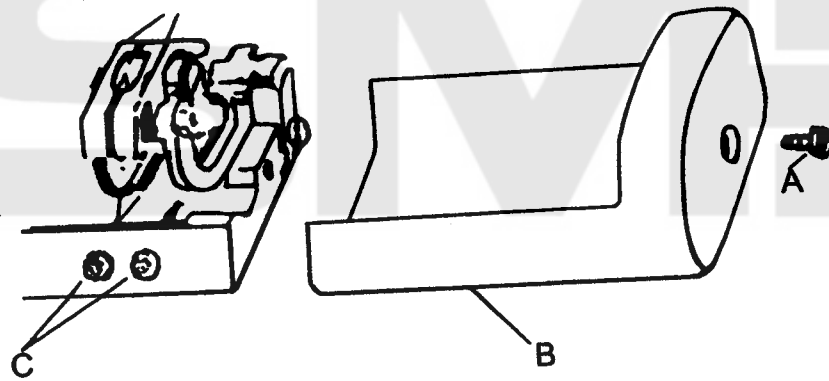


Fig.28

# <PARTS LIST>

## CONTENTS

Machine Frame&Covers Components.....	2
Main Shaft Mechanism Components.....	4
Needle Carrier&Feed Dog Mechanism Components.....	6
Looper Dive Mechanism&Presser Foot Parts Components.....	8
Ridge Forming Disc&Feed Plate Mechanism Components.....	10
Disc Oscillating Mechanism&Knee Press Shaft Parts Components.....	12
Work Plate,Knee Press&Belt Cover Parts Components.....	14
Standard Accessories.....	16

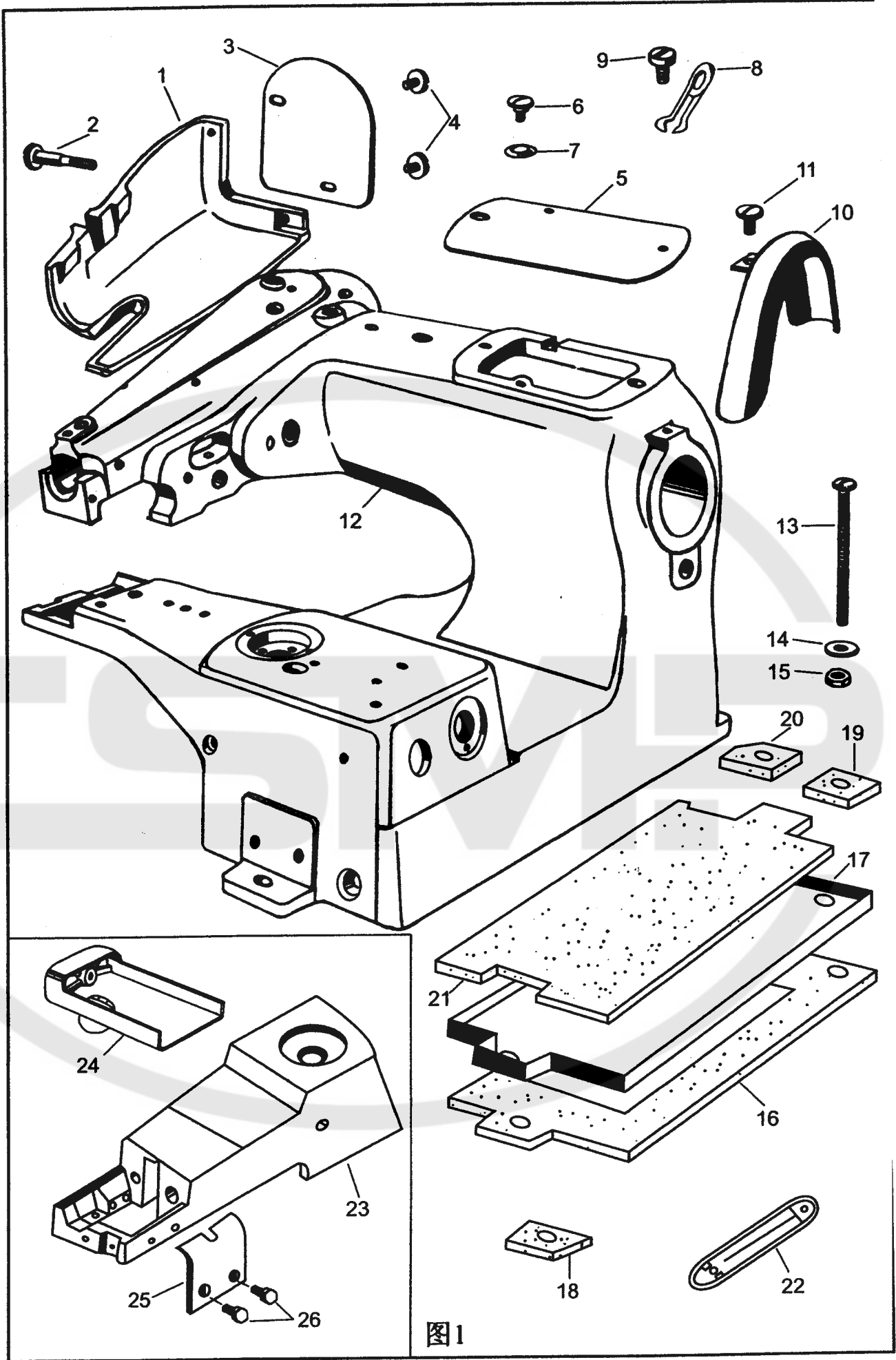


图1



## Machine Frame&Covers Components

Ref.NO.	Parts NO .	Description
1-1	4139	Arm Side Cover
1-2	4144-A	Arm Side Cover Set Screw
1-3	4137	Arm Side Cover Plate
1-4	5227	Arm Side Cover Plate Screw
1-5	4138-C	Arm Top Cover Plate
1-6	4141	Arm Top Cover Plate Screw
1-7	4140	Arm Top Cover Plate Washer
1-8	4203-A	Thread Guide
1-9	4193	Thread Guide Set Screw
1-10	4143	Belt Guard
1-11	4048-A	Belt Guard Set Screw
1-12	AM-101EX	Machine Frame
1-13	AC-15	Machine Base Clamp Screw
1-14	AC-17	Machine Base Washer
1-15	AC-16	Machine Base Nut
1-16	4214	Machine Base Felt
1-17		Machine Base Pad Oilpan
1-18		Machine Base Rubber A
1-19		Machine Base RubberB
1-20		Machine Base RubberC
1-21		Machine Base Oil Felt
1-22	4226	Indicator Plate
1-23	11956-C	Machine Frame
1-24	11793	End Cover
1-25	11787	Baffle
1-26	4129	Disc Adjusting Rial Set Screw

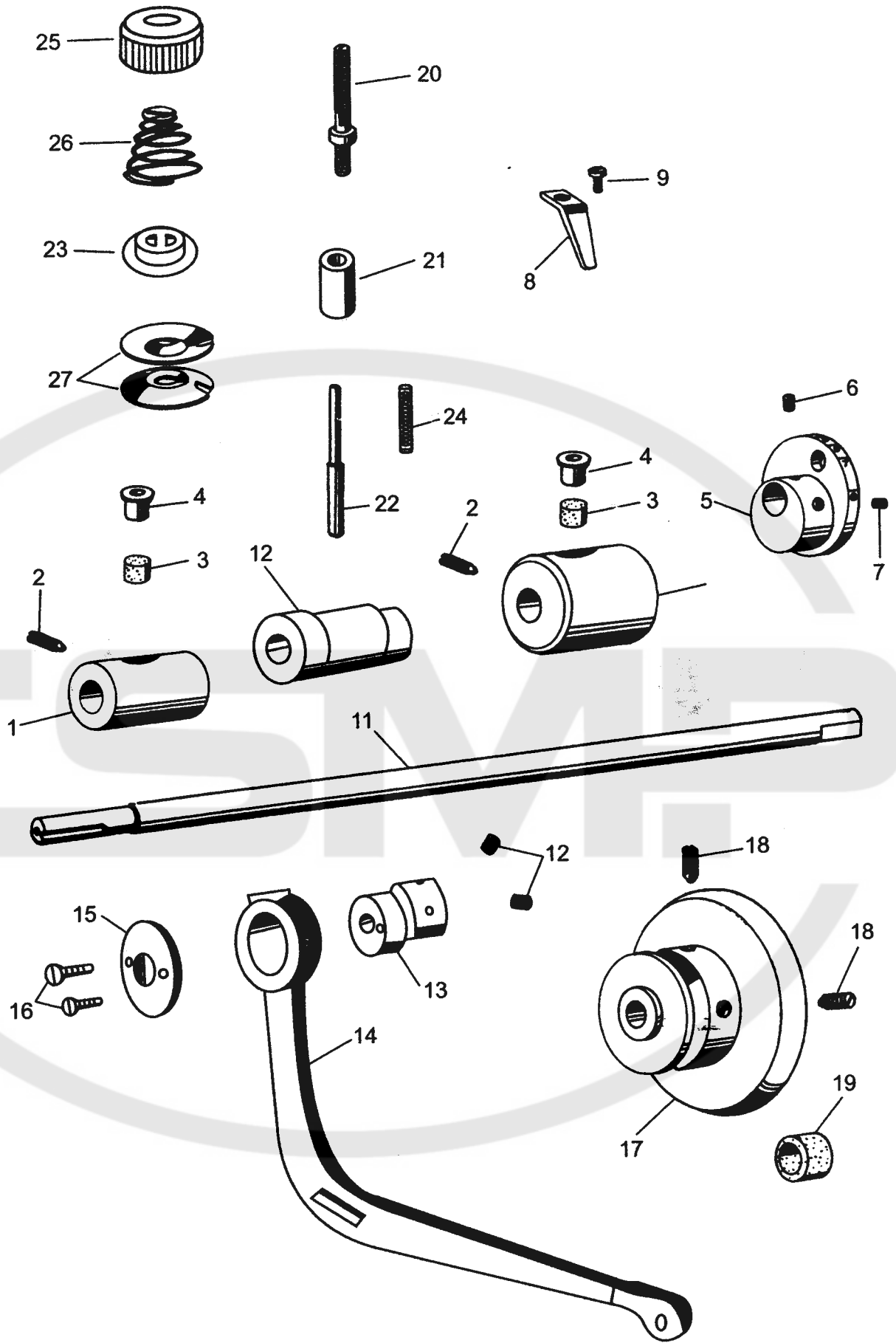


图2

## Main Shaft Mechanism Components

Ref.NO.	Parts NO.	Description
2-1	11005	Main Shaft Bushing(Front)
2-2	096010	Main Shaft Bushing Set Serew
2-3	4127-A	Oiling Felt
2-4	4128-A	Oil Cap
2-5		Counterweight(w/Stitch Length Numbers)
2-6	132	Counterweight Set Screw(Short)
2-7	98	Counterweight Set Screw(Long)
2-8	4134	Stitch Length Indicator
2-9	124	Stitch Length Indicator Set Screw
2-10	11006	Main Shaft Bushing(Rear)
2-11	4003-A	Main Shaft
2-12		Thread Tension Releasing Eccentric
2-13		Bushing
2-14		Connecting Rod
2-15		Bushing Cap
2-16		Loopedamp Screw
2-17	4142-B	Hand Wheel(Pulley)
2-18	131	Hand Wheel Set Screw
2-19	4207-A	Hand Wheel Rubber Cap
2-20		Thread Tensiong Staff
2-21		Thread Tension Staff Bracket
2-22		Thread Tension Releasing Pin
2-23		Thread Tension Washer
2-24		Thread Tension Spring
2-25	81	Thread Tension Nut
2-26	79-B	Thread Tension Spring
2-27	5190	Thread Tension Disc

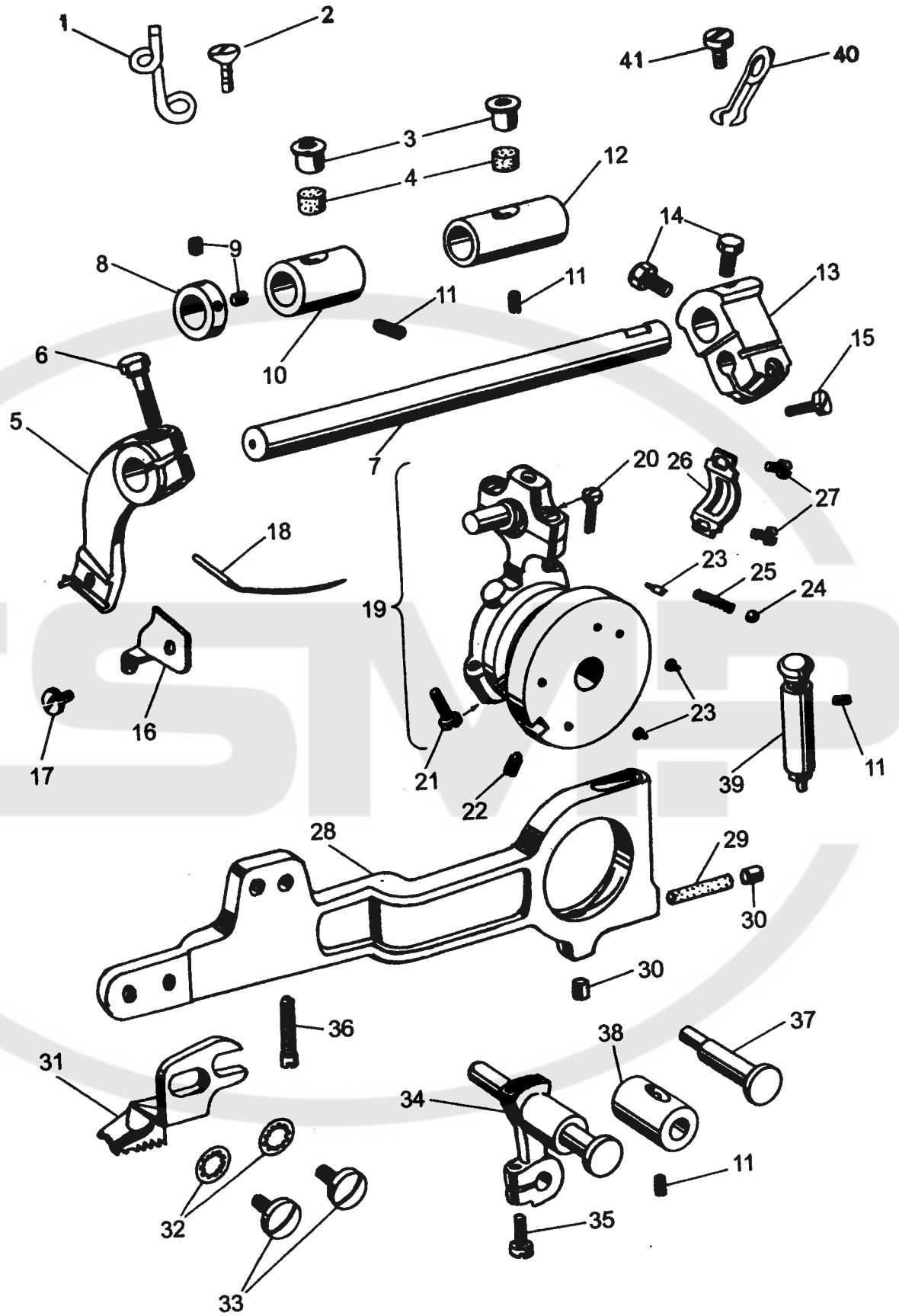


图3

## Needle Carrier & Feed Dog Mechanism Components

Ref.NO.	Parts NO.	Description
3-1	4135	Thred Guide
3-2	113-A	Thred Guide Set Screw
3-3	4128-A	Oil Cap
3-4	4127-A	Oiling Felt
3-5	4023-A	Needle Carrier
3-6	4024	Needle Carrier Set Screw
3-7	4019	Needle Carrier Shaft
3-8	4022	Needle Carrier Shaft Collar
3-9	129-B	Needle Carrier Shaft Collar Set Screw
3-10	11032	Needle Carrier Shaft Bushing(Front)
3-11	129-A	Needle Carrier Shaft BushingSet Screw
3-12	11033	Needle Carrier Shaft Bushing(Rear)
3-13	4017-A	Needle Carrier Shaft Crank
3-14	4018-C	Needle Carrier Shaft Crank Clamp Screw
3-15	114-A	Needle Carrier Shaft Crank Set Screw
3-16	4025-A	Needle Clamp
3-17	121	Needle Clamp Set Screw
3-18	4181	Needle(System LWX6T)
3-19	1151-B	Needle Driving Eccentric A ssembly w/Rod, Regulator&Screws(Ref.Nos.19-22)
3-20	214012	Ball Connecting Rod Set Screw(Short)
3-21	214016	Ball Connecting Rod Set Screw(Long)
3-22	4009-B	Needle Driving Eccentric Set Screw
3-23	4012-A	Stitch Regulator Screw
3-24	4010	Stitch Regulator Ball
3-25	1011-A	Stitch Regulator Spring
3-26	4014	Ball Connecting Rod Cap
3-27	4015	Ball Connecting Rod Cap Set Screw
3-28	11902-A	Feed Lever
3-29	11124-J	Oiling Felt
3-30	11121	Oil Cap
3-31	4047-C	Feed Dog
3-32	2528-A	Feed Dog Washer
3-33	4048-A	Feed Dog Set Screw
3-34	1152-AA	Feed Link&Stud
3-35	4173	Feed Link Clamp Screw
3-36	95016	Feed Link Stud Set Screw
3-37	4044	Feed Link Eccentric Stud
3-38	4043	Feed Link Eccentric Stud Bushing
3-39	520-A	Stitch Length Regulating Plunger Assembly
3-40	420B-A	Thred Guide
3-41	4193	Thred Guide Set Screw

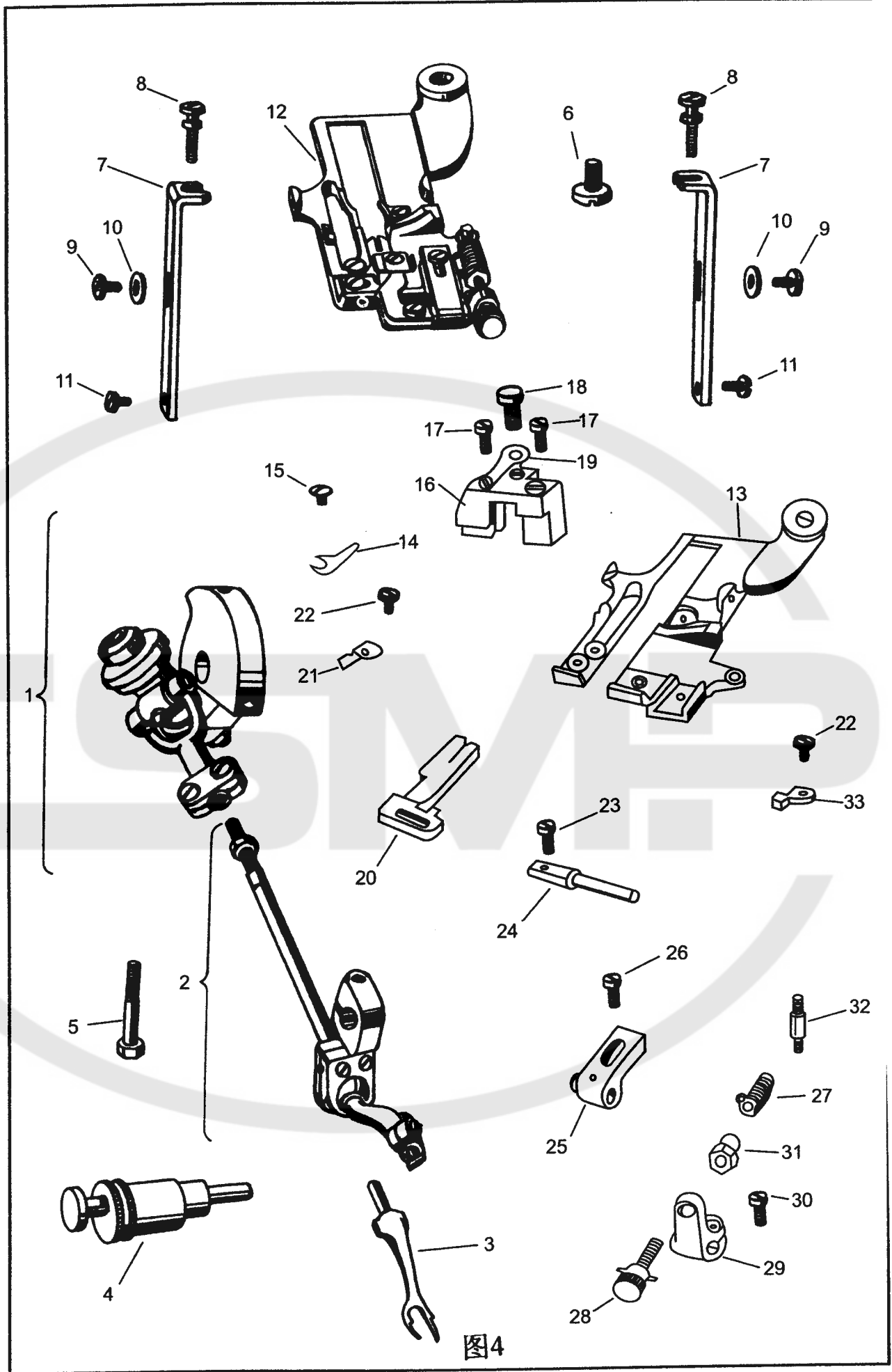


图4

## Looper Drive Mechanism & Presser Foot Parts Components

Ref.NO.	Parts NO .	Description
4-1	538-A	Looper Drive Crank Assembly w/Looper Yoke
4-2	539-A	Looper Carrier Assembly w/Ball Joint
4-3	4039	Looper
4-4	505	Eccentric Sleeve & Pin
4-5	4038	Eccentric Sleeve Clamp Screw
4-6	4050	Presser Foot Set Screw
4-7	4061-A	Presser Foot Bracket
4-8	4062	Presser Foot Bracket Adjusting Screw
4-9	121-B	Presser Foot Bracket Holding Screw
4-10	11158	Presser Foot Bracket Washet
4-11	4186-A	Presser Foot Holding Screw
4-12		Plain Presser Foot
4-13	4462	Plain Presser Foot
4-14	11563	Needle Guide
4-15	4052-B	Needle Guide Set Screw
4-16	11960	Limit Bracket
4-17		Screw
4-18	4356	Limit Screw
4-19	4357	Clamp Nut
4-20	4460-A	Cloth Retainer
4-21	4461	Edge Guide
4-22	4185-B	Edge Guide Set Screw
4-23	4233-A	Screw
4-24	10037	Frame Shaft
4-25	10038	Bracket
4-26	121	Needle Clamp Set Screw
4-27	4312-A	Material Retainer
4-28	10040	Adjusting Screw
4-29	10039	Supporting Frame
4-30	5233-A	Screw
4-31	4311-A	Adjusting Nut
4-32	15128	Extension Spring Pin
4-33	11606-B	Retaining Block

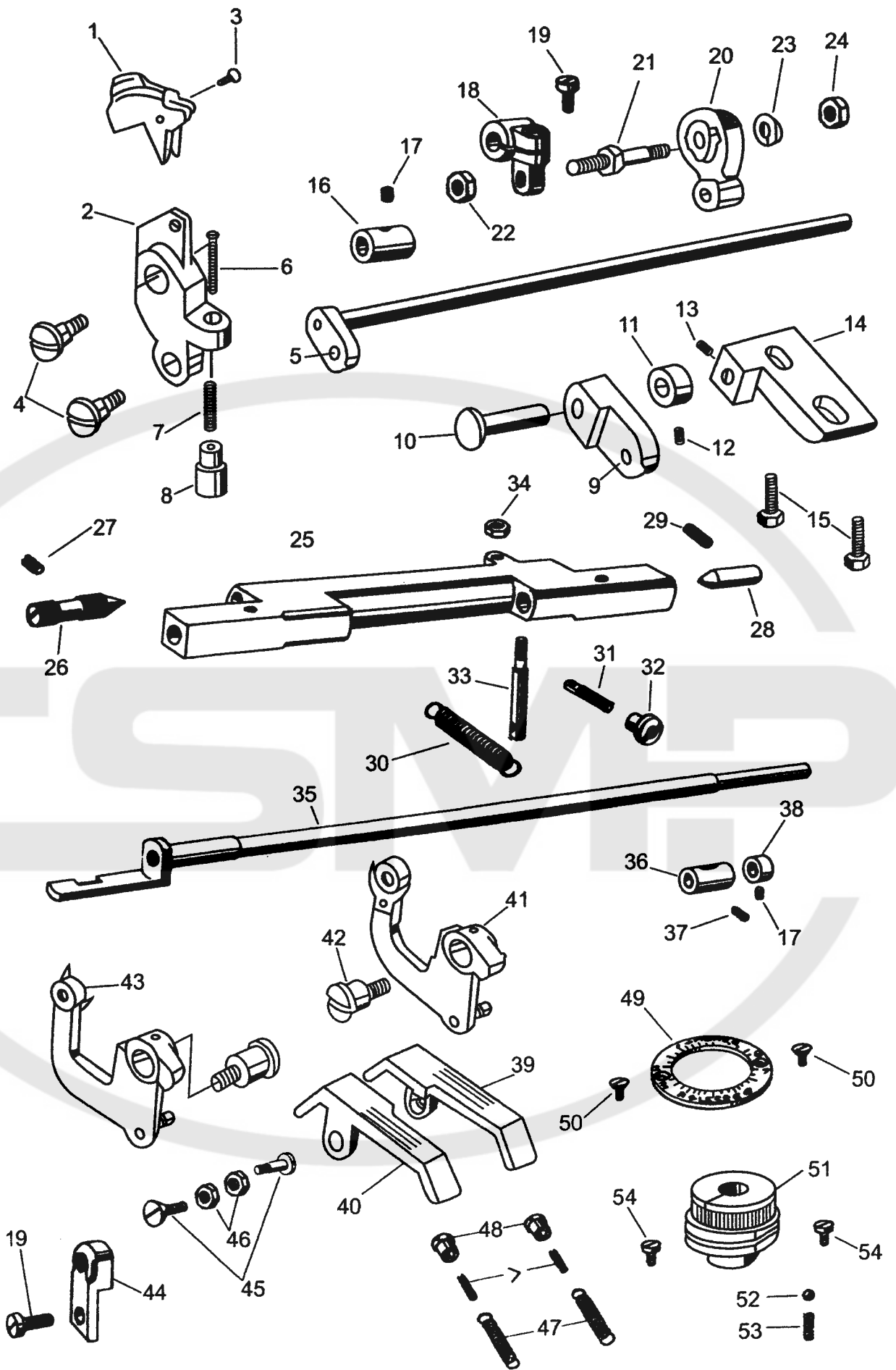


图5



## Ridge Forming Disc&Feed Plate Mechanism Components

RefNO.	Parts NO.	Description	RefNO.	Parts NO.	Description
5-1	11786	Ridge Forming Disc	5-28	11049	Disc Adjusting
5-2	6152	Ridge Forming Disc Bracket	5-29	11050	Disc Adjusting Holder Pivot Bearing Pin Set Screw
5-3	11957	Screw	5-30	4104	Disc Adjusting Holder Spring
5-4	6150	Ridge Forming Disc Shaft Set Screw	5-31	4105	Disc Adjusting Holder Spring Screw
5-5	1639	Ridge Forming Disc Shaft	5-32	4106	Disc Adjusting Holder Spring Nut
5-6	1625-B	Adjusting Spring	5-33	4103-B	Disc Adjusting Holder Spring Stud
5-7	4094	Spring Set Screw	5-34	5208	Disc Adjusting Holder Spring Stud Nut
5-8	11959	Adjusting Nut	5-35	11075-A	Feed Plate Shaft
5-9	6153	Ridge Forming Disc Pitmanconnecting Link	5-36	4043	Feed Plate Shaft Bushing
5-10	4065	Driver Pin	5-37	96010	Feed Plate Shaft Bushing Set Screw
5-11	1630	Retainer Ring	5-38	4090	Feed Plate Shaft Collar
5-12	130-B	Screw	5-39	4099	Right Feed Plate
5-13	129-A	Set Screw	5-40	4099	Left Feed Plate
5-14	6157	Ridge Forming Disc Pitmanconnecting Link Set Bracket	5-41	11788-A	Right Feed Plate Assembly w/Screws
5-15	1644	Screw	5-42	11955	Feed Plate Shoulder Bearing Screw
5-16	4111	Ridge Forming Disc Shaft Collar	5-43	11789-A	Left Feed Plate Assembly w/Screws
5-17	129-B	Ridge Forming Disc Shaft Collar Set Screw	5-44	4097-A	Left Feed Plate Bracket
5-18	4112	Ridge Forming Disc Shaft Crank	5-45	4101	Feed Plate Taper Bearing Screw
5-19	113-B	Ridge Forming Disc Shaft Crank Set Screw	5-46	4070	Feed Plate Nut
5-20	11519	Ball Connecting Lever	5-47	4093-BA	Feed Plate Spring Set Screw
5-21	4230	Double-head Set Screw	5-48	4095	Feed Plate Spring Adjusting Nut
5-22	4176	Ball Stud Nut	5-49	11255-N	Disc Adjusting Dial
5-23	8179	Spring Washer	5-50	4129	Disc Adjusting Dial Set Screw
5-24	17203	Hexagon Nut	5-51	519-G	Disc Adjusting Regulator Assembly
5-25	4102	Disc Adjusting Holder	5-52	4010	Disc Adjusting Regulator Ball
5-26	11048	Disc Adjusting Holder Pivot Bearing Screw	5-53	10052	Disc Adjusting Regulator Spring
5-27	98	Screw	5-54	4015	Disc Adjusting Regulator Base Set Screw

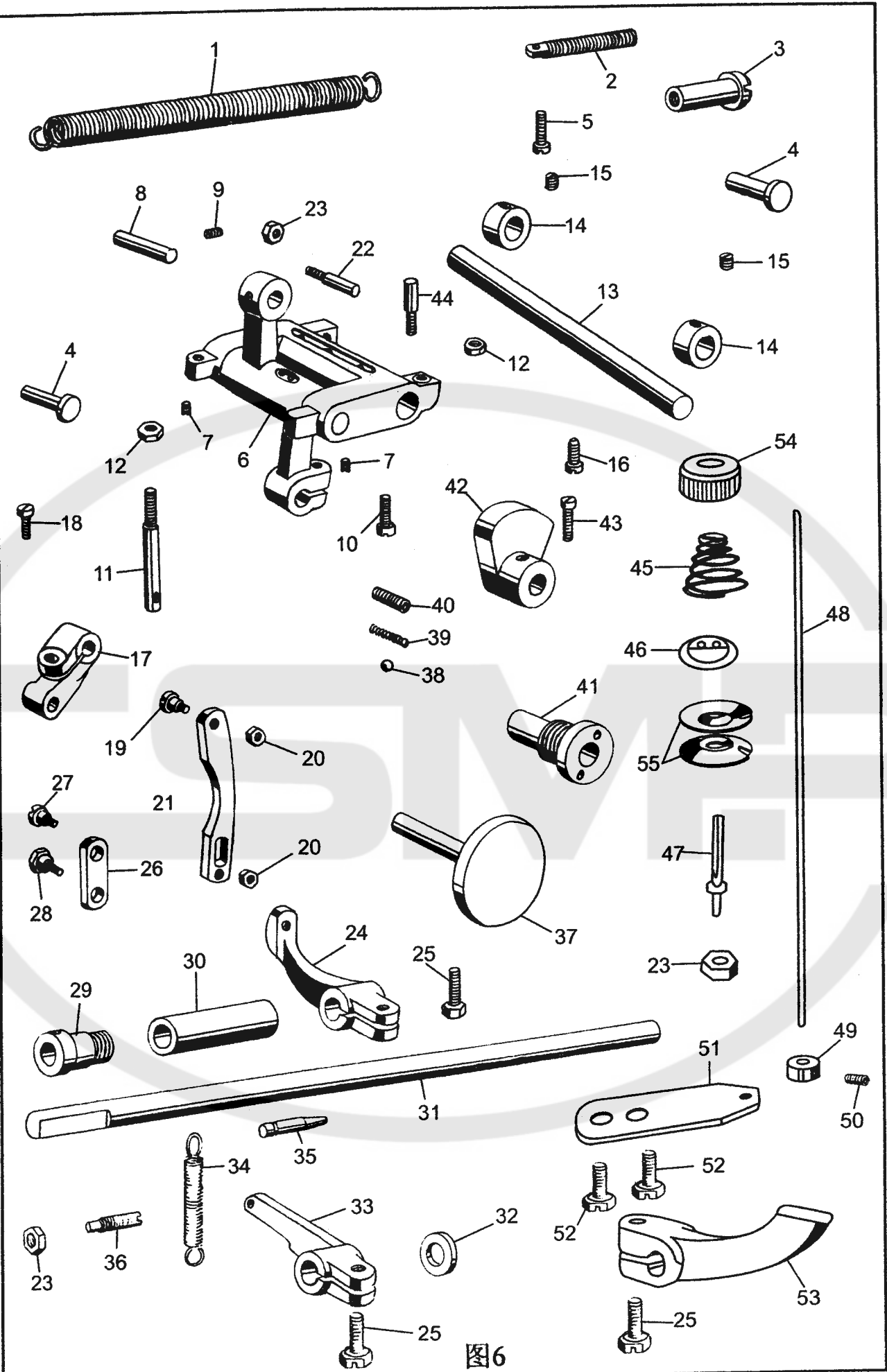


图6

## Disc Oscillating Mechanism & Knee Press Shaft Parts Components

Ref.NO.	Parts NO.	Description	Ref.NO.	Parts NO.	Description
6-1	4073-A	Disc Oscillating Rod Bracket Spring	6-29	4081	Knee Press Shaft Bushing
6-2	4074	Disc Oscillating Rod Bracket Spring Screw	6-30	4177	Knee Press Shaft Sleeve
6-3	4075	Disc Oscillating Rod Bracket Spring Nut	6-31	11603-A	Knee Press Shaft
6-4	4065	Connecting Rod Stud	6-32	11539	Knee Press Shaft Washer
6-5	114-B	Connecting Rod Stud Set Screw	6-33	4221	Knee Press Stop Lever
6-6	S-4066-BB	Disc Oscillating Rod Assembly(w/Ref.No.8)	6-34	4222-B	Knee Press Stop Lever Spring
6-7	129-B	Disc Oscillating Rod Shaft Set Screw	6-35	4116	Knee Press Stop Lever Spring Pin
6-8	4115-A	Disc Oscillating Rod Pin	6-36	11050	Knee Press Stop Lever Limit Screw
6-9	129-A	Disc Oscillating Rod Pin Set Screw	6-37		Skip-Stitch Selecting Grip
6-10	4031-A	Disc Oscillating Rod Stud Set Screw	6-38	4010	Skip-Stitch Selecting Ball
6-11	4069-A	Disc Oscillating Rod Bracket Spring Stud	6-39	4011	Skip-Stitch Selecting Spring
6-12	4070	Skip-Stitch Selecting Cam Stud Nut	6-40	4174	Skip-Stitch Selecting Spring Holder
6-13	4076	Disc Oscillating Rod Bracket Shaft	6-41	4170	Skip-Stitch Selecting Grip Bushing
6-14	4077-A	Disc Oscillating Rod Bracket Shaft Collar	6-42	4172	Skip-Stitch Selecting Cam
6-15	132	Disc Oscillating Rod Bracket Shaft Collar Set Screw	6-43	4173	Skip-Stitch Selecting Cam Set Screw
6-16	96010	Disc Oscillating Rod Bracket Shaft Set Screw	6-44	4175-A	Skip-Stitch Selecting Cam Stud
6-17	4098-A	Feed Plate Depressing Crank	6-45	79-B	Thread Tension Spring
6-18	105	Feed Plate Depressing Crank Set Screw	6-46		Thread Tension Washer
6-19	4178-A	Crank&Link Shoulder Screw	6-47		Thread Tension Staff
6-20	5207	Crank&Link Shoulder Screw Nut	6-48	11162	Thread Nipper Releasing Pin
6-21	4086	Connecting Link(Large)	6-49	6053	Thread Nipper Releasing Pin Collar
6-22	4067-A	Connecting Link Guide Screw	6-50	130-B	Thread Nipper Releasing Pin Collar Set Screw
6-23	4068-A	Connecting Link Guide Screw Nut	6-51		Thread Nipper Releasing Pin Support
6-24	4083	Knee Press Shaft Crank	6-52	1156	Thread Nipper Releasing Pin Support Set Screw
6-25	4084	Knee Press Shaft Crank Set Screw	6-53		Thread Nipper Releasing Pin Lever
6-26	4087	Connecting Link (Small)	6-54	81	Thread Tension Nut
6-27	4088-A	Connecting Link Set Screw	6-55	5190	Thread Nipper Disc
6-28	4085	Connecting&Link Shoulder Screw			

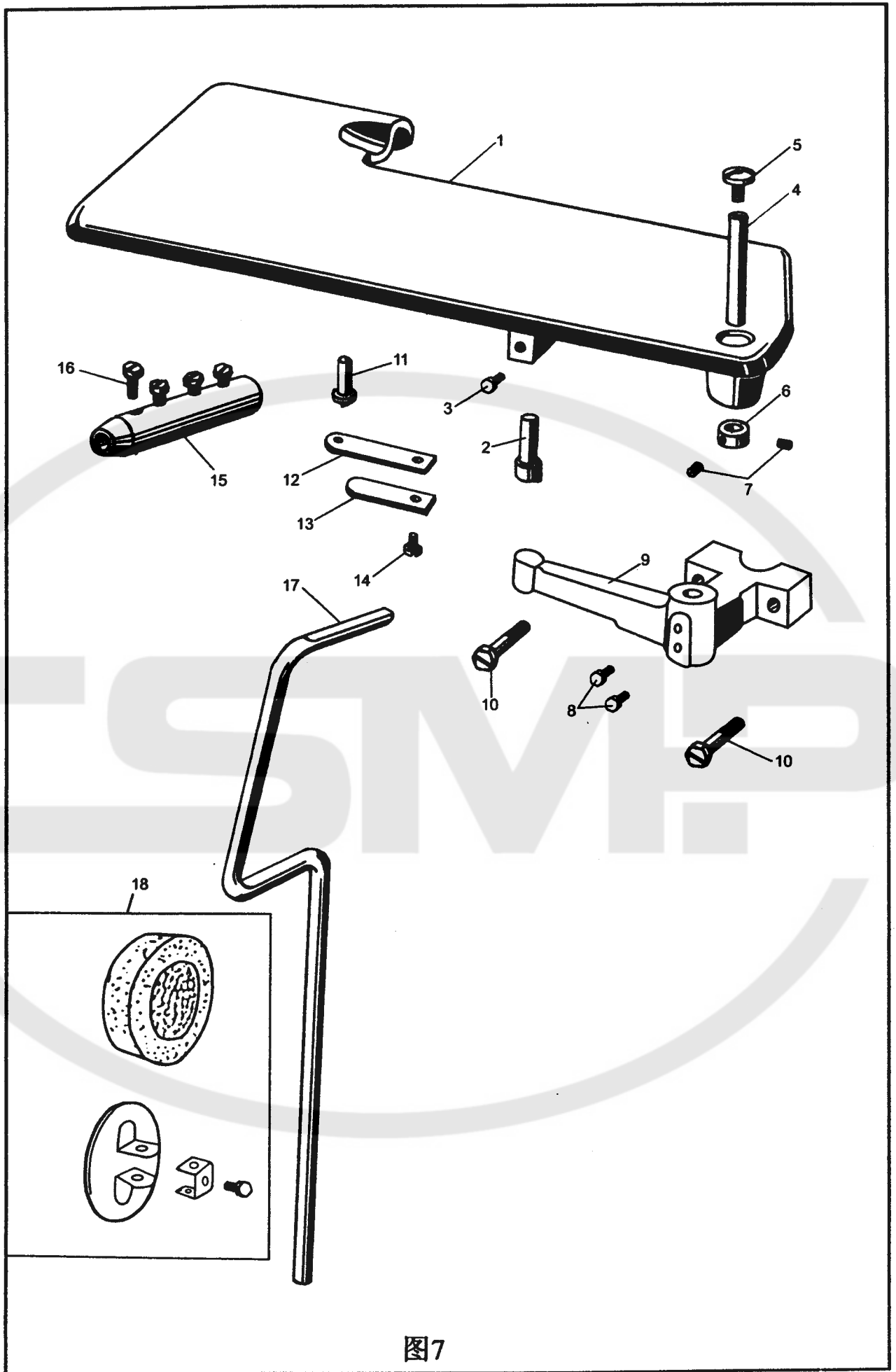


图7

## Work Plate ,Knee Press &Belt Cover Parts Components

Ref.NO.	Parts NO .	Description
7-1	11082	Work Plate
7-2	11086	Work Plate Latch
7-3	11156	Work Plate Latch Set Screw
7-4	11134	Work Plate Shaft
7-5	99-A	Work Plate Shaft Screwed Cap
7-6	11008	Work Plate Shaft Collar
7-7	8137	Work Plate Shaft Collar Set Screw
7-8	11156	Work Plate Shaft Set Screw
7-9	11083-D	Work Plate Bracket
7-10	4158-A	Work Plate Shaft Set Screw
7-11	4159	Work Plate Bracket Spring Pin
7-12	11084	Work Plate Bracket Leaf Spring(Long)
7-13	11085	Work Plate Bracket Leaf Spring(Short)
7-14	11156	Work Plate Bracket Leaf Sping Set Screw
7-15	4146-B	Knee Press Rod Sleeve
7-16	4147-C	Knee Press Rod Sleeve Set Screw
7-17	4148-B	Knee Press Rod
7-18	S-21088	Knee Press Assembly

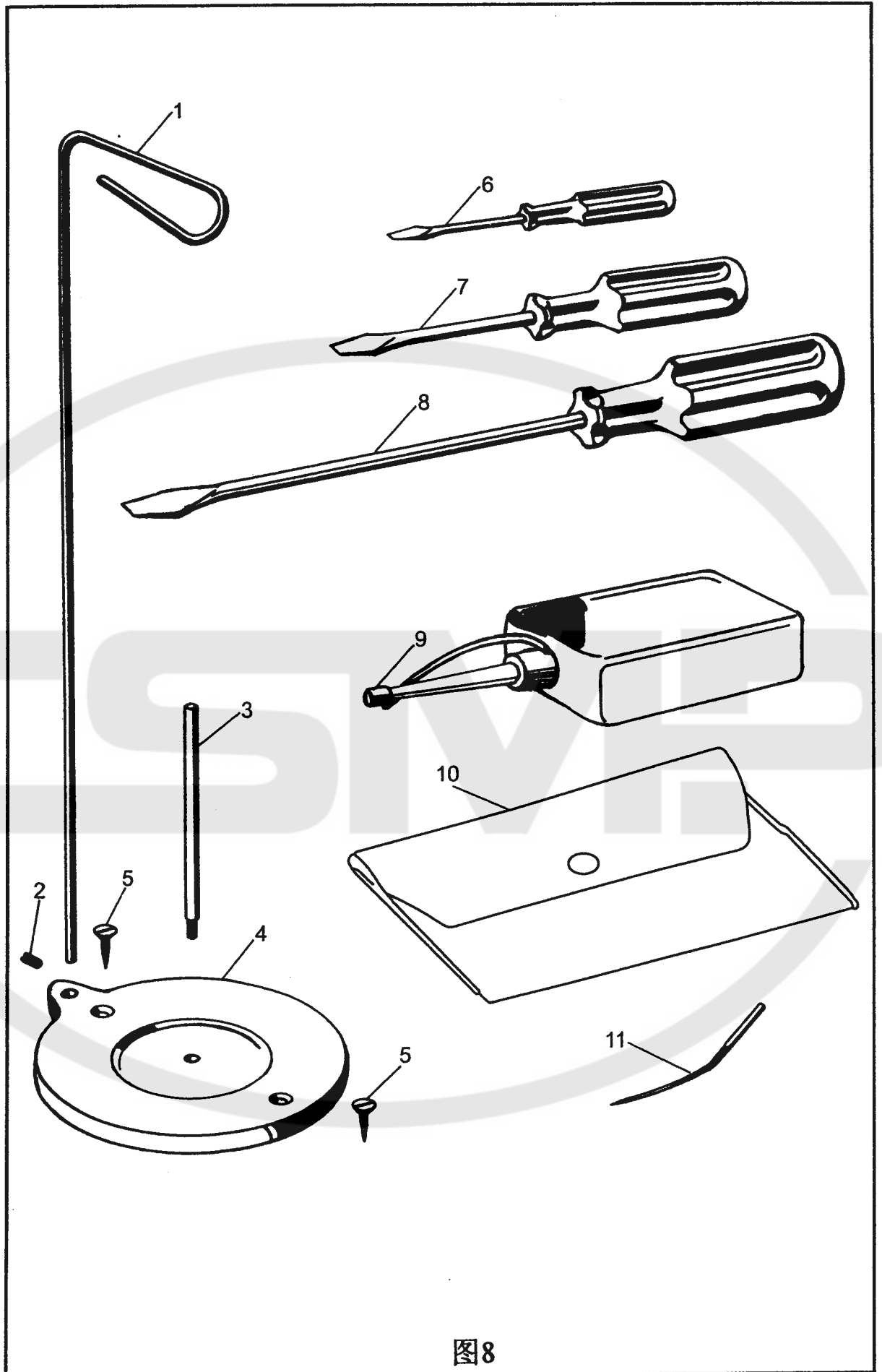


图8

## Standard Accessories

Ref.NO.	Parts NO .	Description
8-1	4152	Thread Guide
8-2	129-A	Thread Guide Set Screw
8-3	4151	Spool Pin
8-4	4150	Cotton Stand Base
8-5	AC-10A	Cotton Stand Base Wood Screw
8-6	AC-03	Screw Driver(small)
8-7	AC-02	Screw Driver(Medium)
8-8	AC-01	Screw Driver(Large)
8-9	AC-04A/05	Oiler
8-10	AC-08A	Accessory Bag
8-11	4181	Needle(System LWX6T)