

GLOBAL

LP 9941 R / LP 9942 R

**Single needle / double needle
postbed needle feed
lockstitch sewing machine**

Instruction manual

1、 Safety Precautions

1) When turning the power on, keep your hands and fingers away from the area around the needle and the area around the pulley;

2) Power must be turned off when the machine is not in use, or when the operator leaves his seat:

3) Power must be turn off before tilting the machine head, installing or removing the “V” belt, adjusting the machine, or when replacing;

4) Avoid placing the fingers, hairs, bars etc., near the pulley, “V” belt, bobbin winder pulley, or motor when the machine is in operation:

5) Do not insert fingers into the thread take-up cover, the area under the needle, or pulley when the machine is in operation.

2、 Precautions before Starting Operation

1) Do not operate the machine before filling the oil pan;

2) If the machine is lubricated by a drop oiler, never operate the machine before lubricating;

3) When a new sewing machine is first turned on, verify the rotational direction of the pulley with the power on; (The pulley should rotate counterclockwise when viewed from the pulley)

4) Verify the voltage and phase (single or three) with those given on the machine nameplate.

3、 Precautions for Operating Conditions

1) Avoid using the machine at abnormally high temperature (35°C or higher) or low temperature (5°C or lower). Otherwise, machine failure may result;

2) Avoid using the machine in dusty conditions.

4. Specifications

Specifications		Model	
		LP 9941 R	LP 9942 R
Sewing Material		Medium-heavy material	
Max. Speed (rpm)		3000	
Stitch Length (mm)		0-5	
Needle Bar Stroke (mm)		33.4	
Presser Foot Stroke (mm)	By Hand	7.0	
	By Knee	13.0	
Hook		Standard Hook	
Stitch length adjustment		Dial	
Lubrication System		Automatic	
Needle		DP×5 (14#-18#)	
Motor		Clutch motor 370W	
Gauge (mm)		2.4	○

5. How to Attach Needle (Fig.1):

Note: Before using the following procedures, be sure to turn the power switch off.

- 1) Loosen the needle clamping screw;
- 2) Hold the needle to its side with the long groove side toward left, and insert it as deeply it will go into the needle clamping hole.(single needle);

Hold the needles so that the two

Needles side with the long grooved face

To face, and insert it as deeply it will go into the needle clamping hole.(double needle);

- 3) Tighten the needle clamping screw.

Single Needle

Double Needle

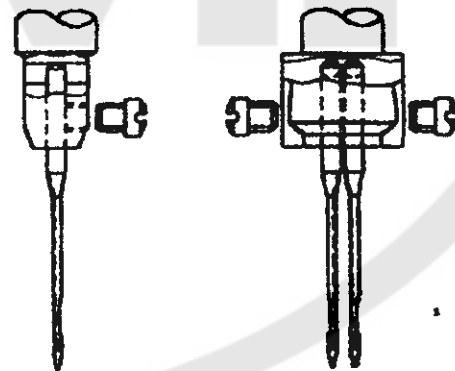


Fig. 1

6、 How to Wind the Lower Thread (Fig. 2):

Strength of winding: Particularly in the case of nylon or polyester thread, wind the bobbin loosely.

Uneven winding: If the bobbin is wound unevenly, slide the thread guide toward the less wound portion of bobbin.

Winding amount: When the bobbin is wound excessively, loosen the adjusting screw. When the bobbin is wound insufficiently, tighten the adjusting screw.

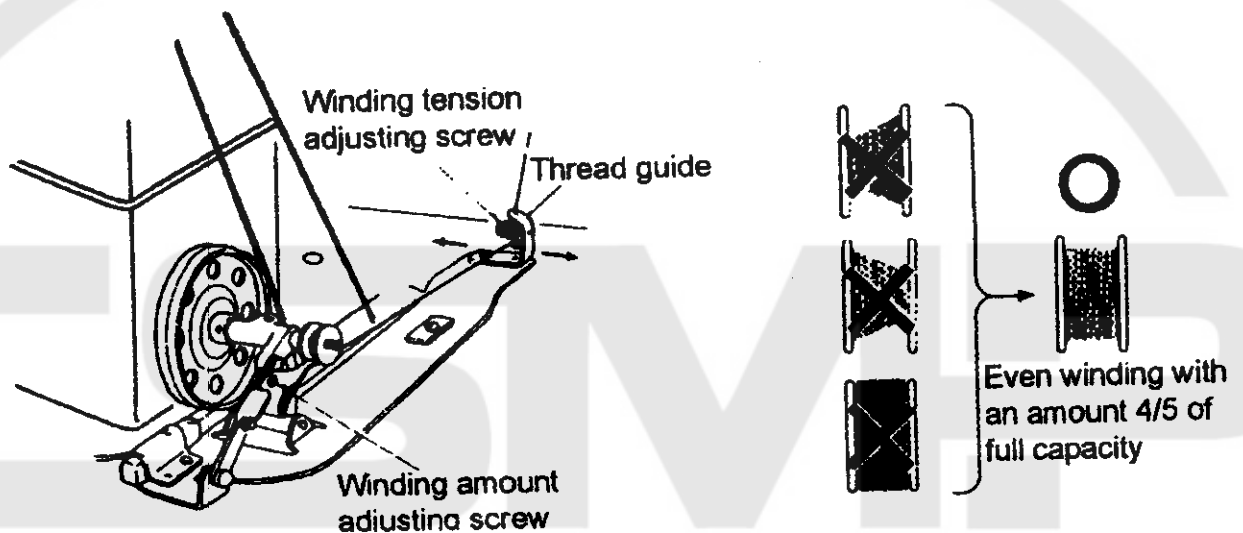


Fig. 2

7、 Lead the Upper Thread (Fig.3):

Raise the thread take-up lever to its highest position and lead the upper thread as shown in fig.3.

8、 Adjustment of stitch length and reverse sewing (Fig.4):

- 1) Stitch length can be adjusted by turning Dial;
- 2) The figures on Dial Plate show stitch length in mm;
- 3) Reverse feeding starts when Reverse Feed Lever is depressed, and the machine will feed forward again if Reverse Feed Lever is released.

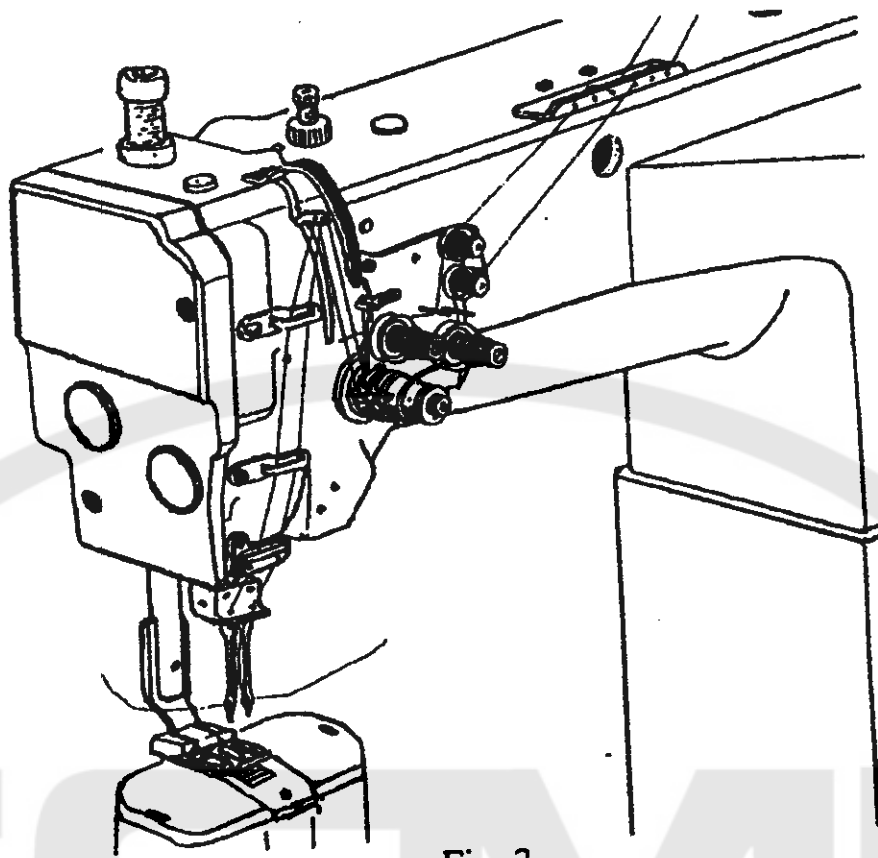


Fig. 3

9. Adjust The Thread Guide:

The position of the thread guide affects stitch tightness, and therefore must be adjusted according to sewing materials and sewing conditions.

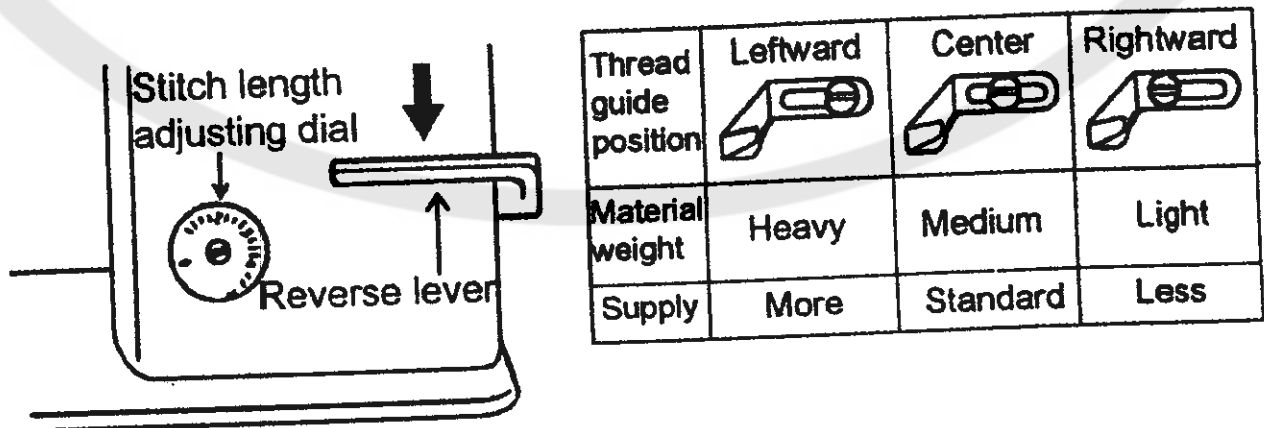


Fig. 4

10. Adjust the Pressure of Presser Foot (Fig.5):

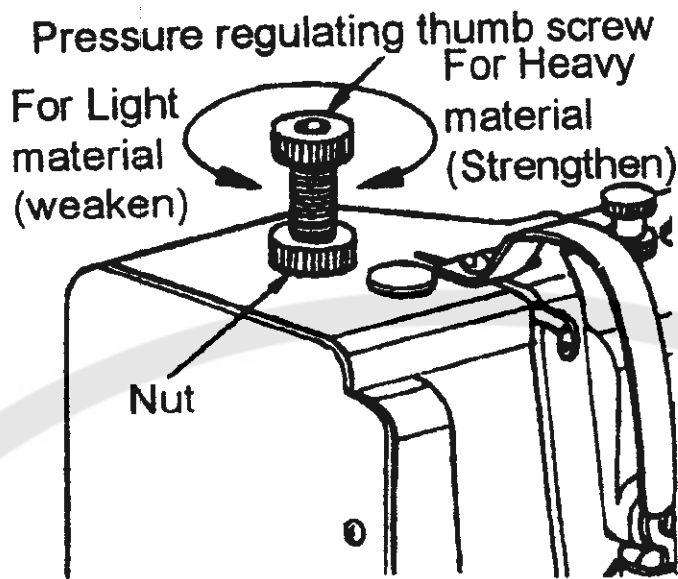


Fig. 5

11. How to place the Bobbin into the Hook (Fig.6):

Pull the bobbin thread about 5cm. Hold the bobbin as shown in fig.6, then place the bobbin into the hook base.

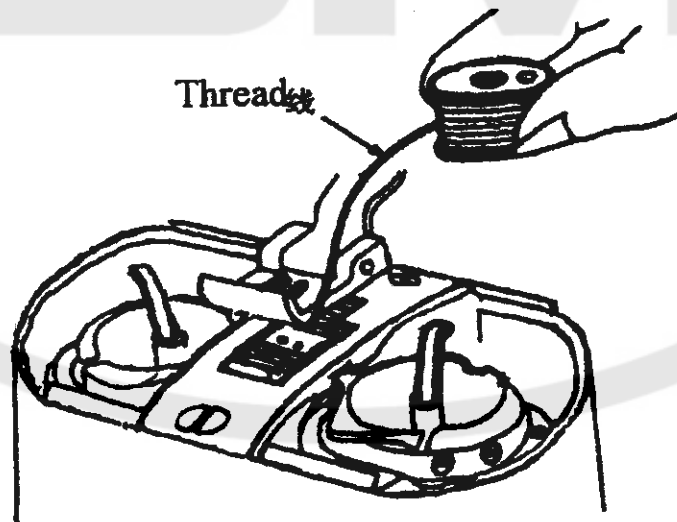


Fig. 6

12、 How to lead the lower thread (Fig.7、 Fig.8):

(1) As shown in fig.7, from the slit (1) pass the thread underneath the hook body, and pull it to the right diagonally, and thread will pass through the tension spring (single needle); From the slit (1) pass the thread underneath the hook body, and pull the left thread to the left and the right thread to the right diagonally, and thread will pass through the tension spring (double needle).

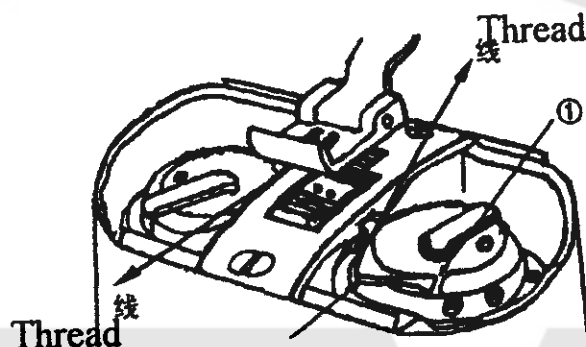


Fig. 7

(2) As shown in fig.8, holding the end of upper thread by left hand, turn the balance wheel slowly one around by right hand, the upper thread will hook out pulling the lower thread simultaneously through the hole of needle plate, and leave the lower thread to the other side of the needle plate. Close the slide plate.

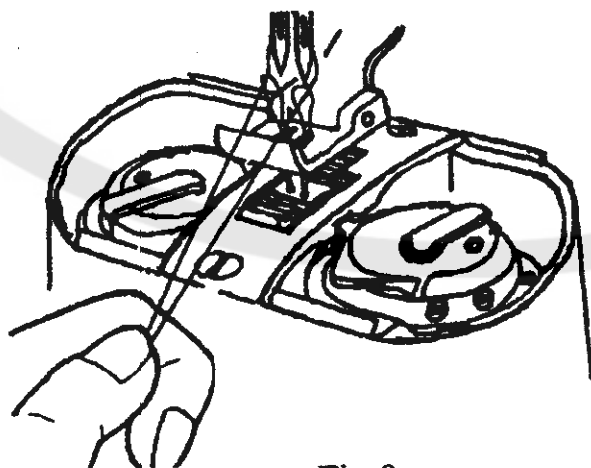


Fig.8

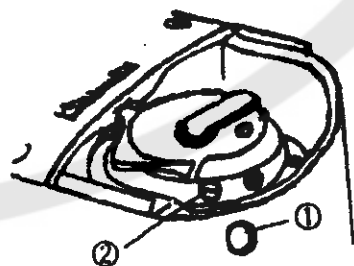


Fig.9

13. How to adjust the lower thread (Fig.9):

The lower thread tension can be adjusted by rotating the screw 2, turn the screw 2 clock-wise for more tension, or turn the screw 2 counter-clockwise for less tension.

14. Adjustment of upper thread (Fig.10):

Turn the Thread Tension Nut left or right to loosen or tighten the pressure of upper thread.

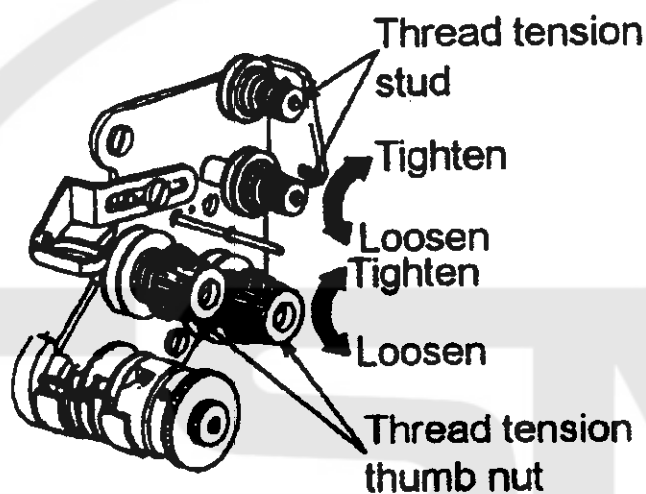


Fig. 10

15. Adjustment of the thread tension (Fig.11):

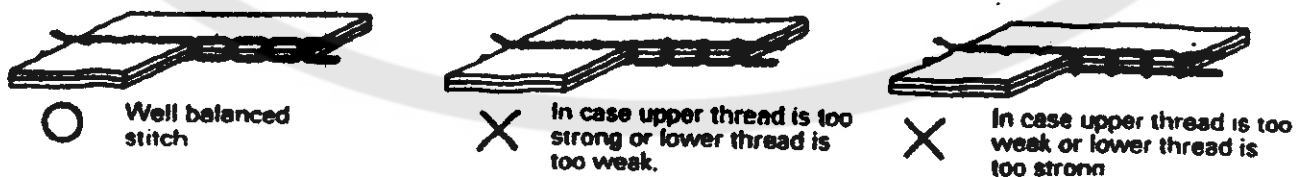


Fig.11

16. Adjustment of the thread take-up spring (Fig.12):

- 1) How to adjust amount of movement of thread take-up spring:
 - a. Adjustment of the left upper thread take-up spring①: Loosen the screw②, to adjust the stopper block③.
 - b. Adjustment of the right upper thread take-up spring④: Loosen the screw⑤, to adjust the stopper block⑥.
- 2) How to adjust strengthen of thread take-up spring:
 - a. Adjustment of the left upper thread take-up spring: Loosen the Nut ⑦ and the screw ①, then adjusting the thread tension stud. After adjustment, tighten Nut ⑦ and screw ① .
 - b. Adjustment of the right upper thread take-up spring: Loosen the set screw ⑨, and turn the Nut ⑩. After adjustment, tighten set screw ⑨ and Nut ⑩ .

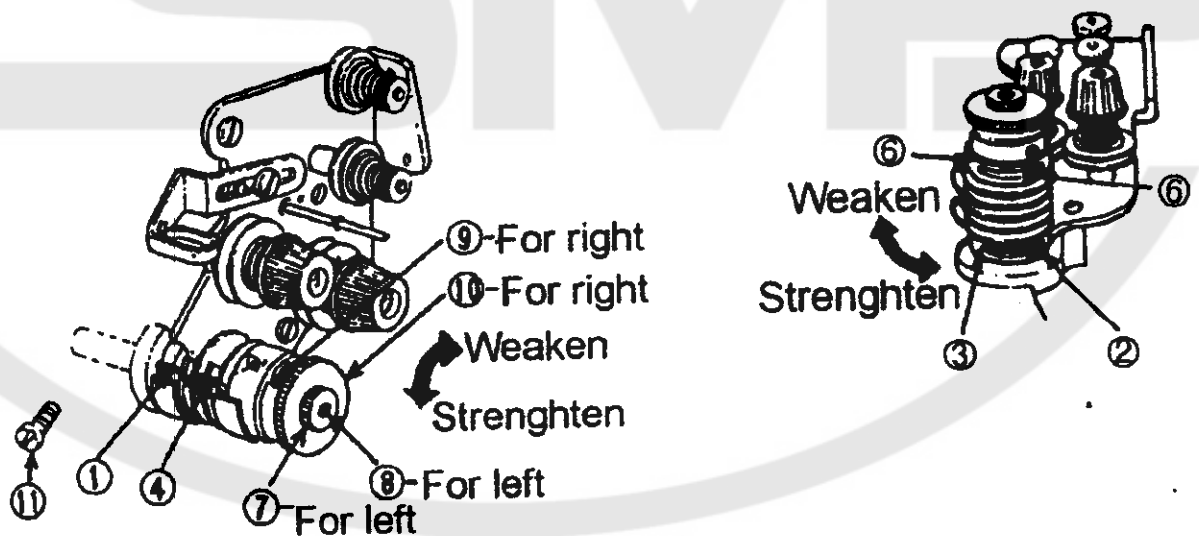


Fig. 12

17、 Lubrication (Fig.13、 Fig.14、 Fig.15):

- 1) Before starting operation, be sure to pour oil up to the position H of oil tank. If the oil below position L, replenish the oil supply up to position H. (Fig.13)

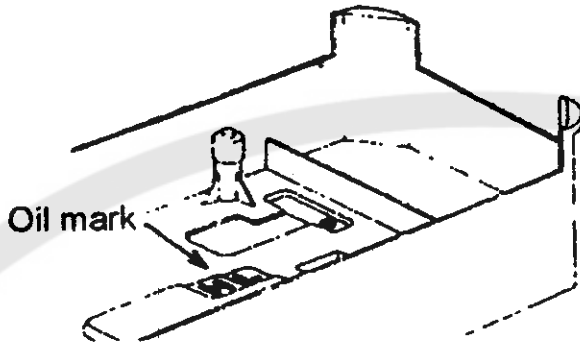


Fig.13

- 2) When a new sewing machine is first operated, or when a sewing machine which left out of use for a long period of time is operated, it will be necessary to oil through the oil holes after removing the rubber plugs shown below (the direction shown in arrows). (Fig. 14)

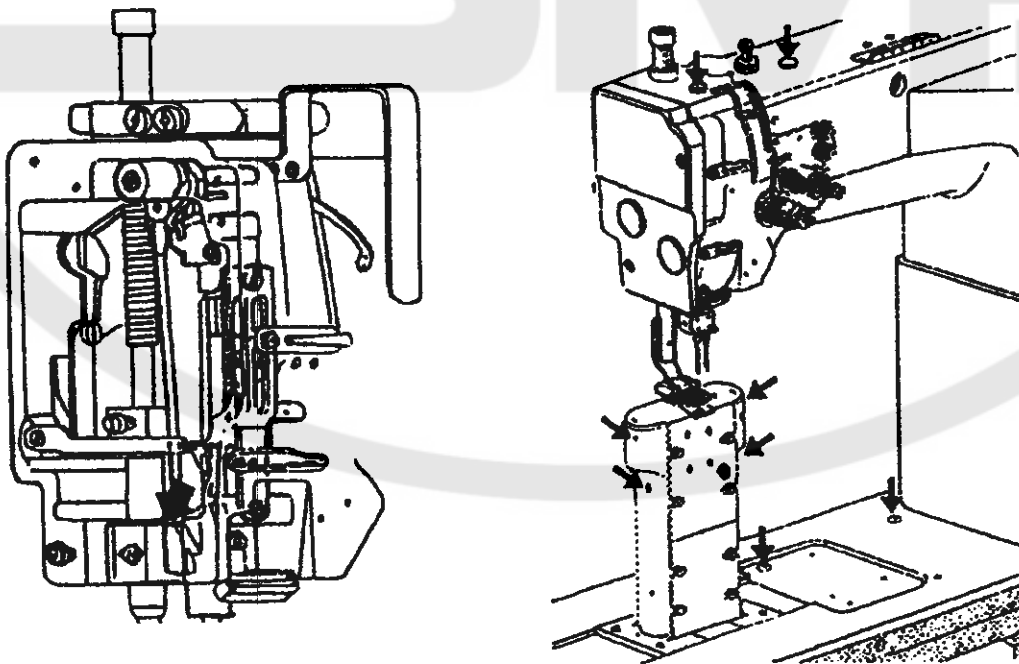


Fig. 14

3) While operating the machine, check the condition of oil lubrication through the oil check window. The oil amount can be adjusted by oil adjustment screw. (Fig.15)

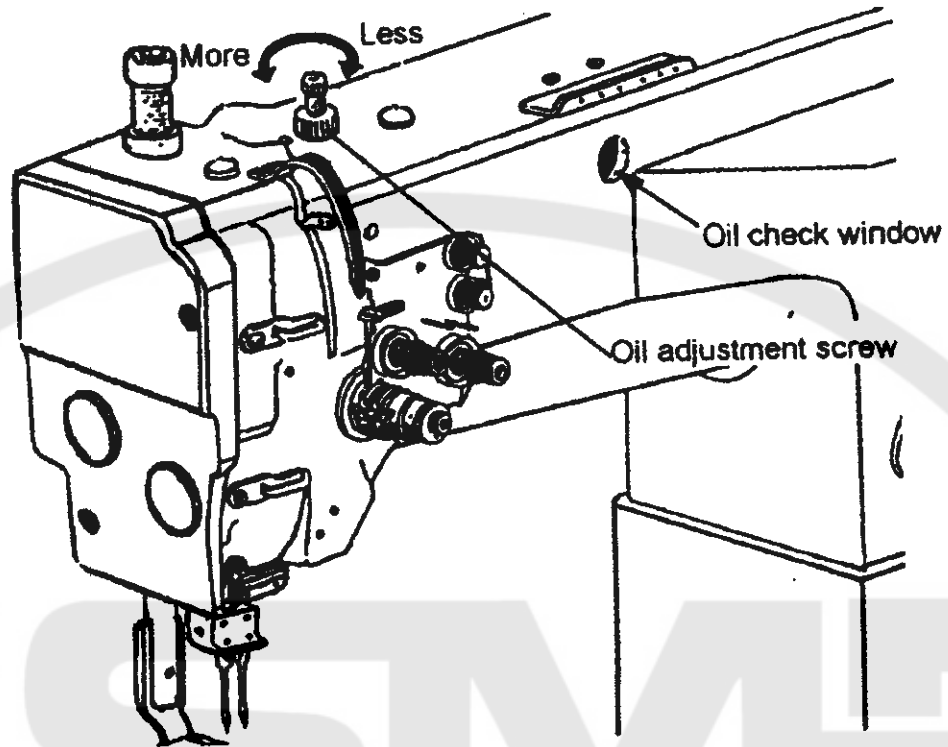


Fig.15

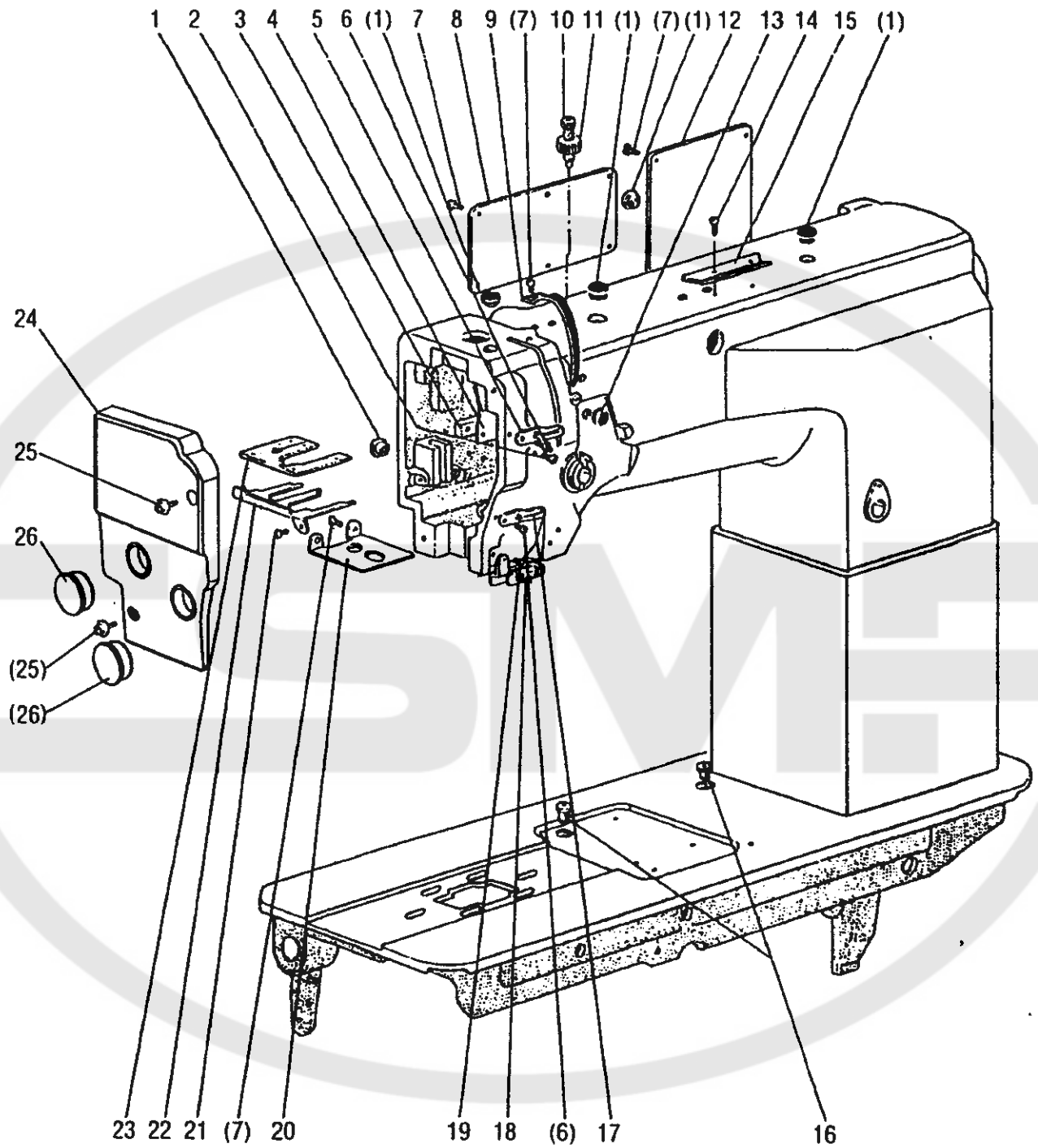
GLOBAL

LP 9941 R / LP 9942 R

**Single needle / double needle
postbed needle feed
lockstitch sewing machine**

Spare parts catalogue

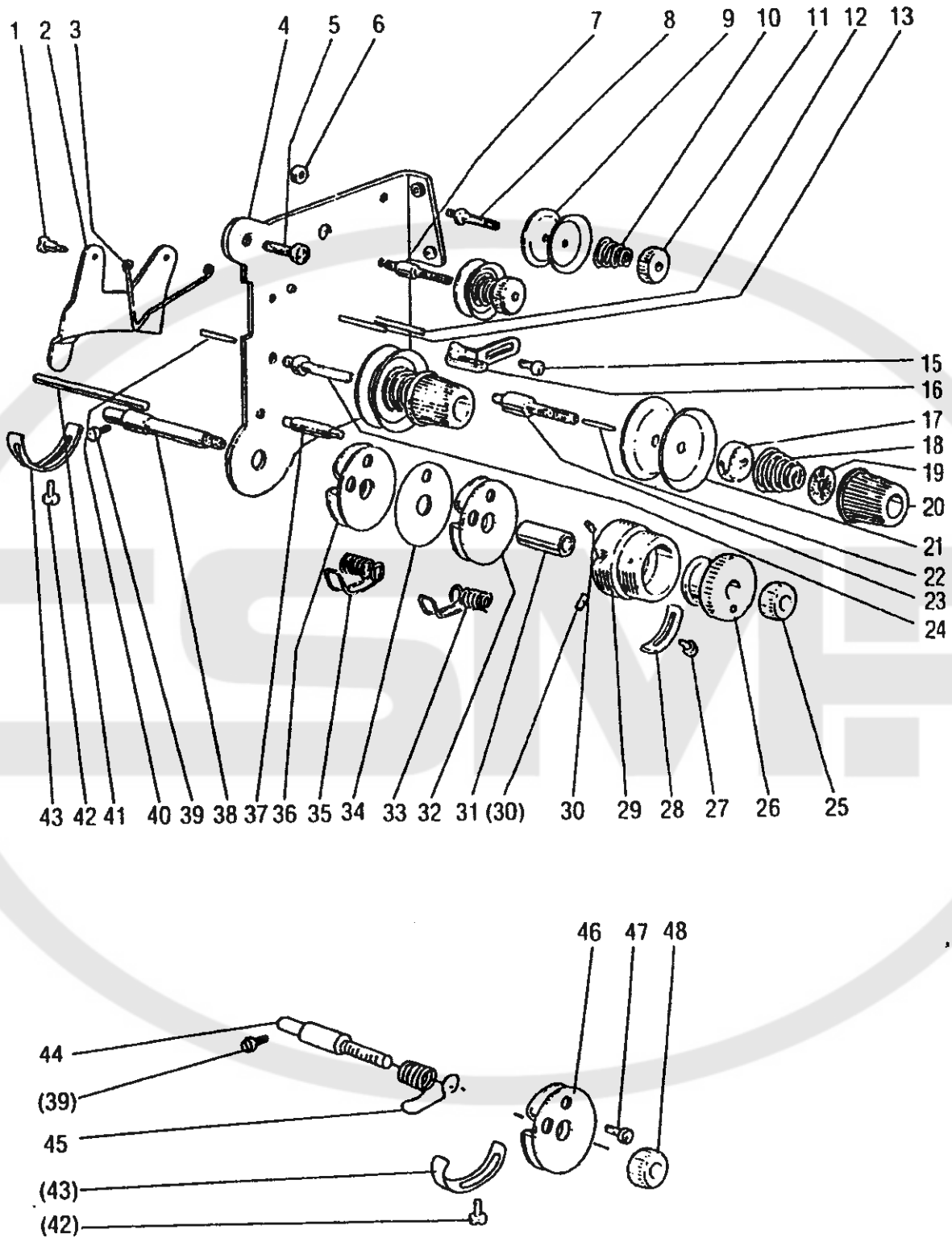
A: ARM BED AND ITS ACCESSORIES



A: ARM BED AND ITS ACCESSORIES

No.	Ref. No.	Description	LP 9941 R	LP 9942 R
A01	H6301001	Rubber plug $\phi 13$	5	5
A02	H6301002	Screw	2	2
A03	H6301003	Spacer	1	1
A04	H6301004	Oil guard plate	1	1
A05	H6301005	Thread guide	1	1
A06	H6301006	Screw	2	2
A07	H6301007	Screw	13	13
A08	H6301008	Side cover (left)	1	1
A09	H6301009	Thread take-up cover	1	1
A10	H6301010	Thumb screw	1	1
A11	H6301011	Special nut	1	1
A12	H6301012	Side cover (right)	1	1
A13	H6301013	Rubber plug	1	1
A14	H6301014	Screw	2	2
A15	H6301015	Thread guide	1	1
A16	H6301016	Cap	2	2
A17	H6301017	Thread guide (middle)	1	1
A18	H6301018	Thread guide complete(lower)	1	1
A19	H6301019	Screw	1	1
A20	H6301020	Cover	1	1
A21	H6301021	Screw	2	2
A22	H6301022	Oil guard plate	1	1
A23	H6301023	Felt	1	1
A24	H6301026	Face plate	1	1
A25	H6301025	Screw	2	2
A26	H6301024	Rubber plug	2	2

B: THREAD TENSION REGULATOR MECHANISM



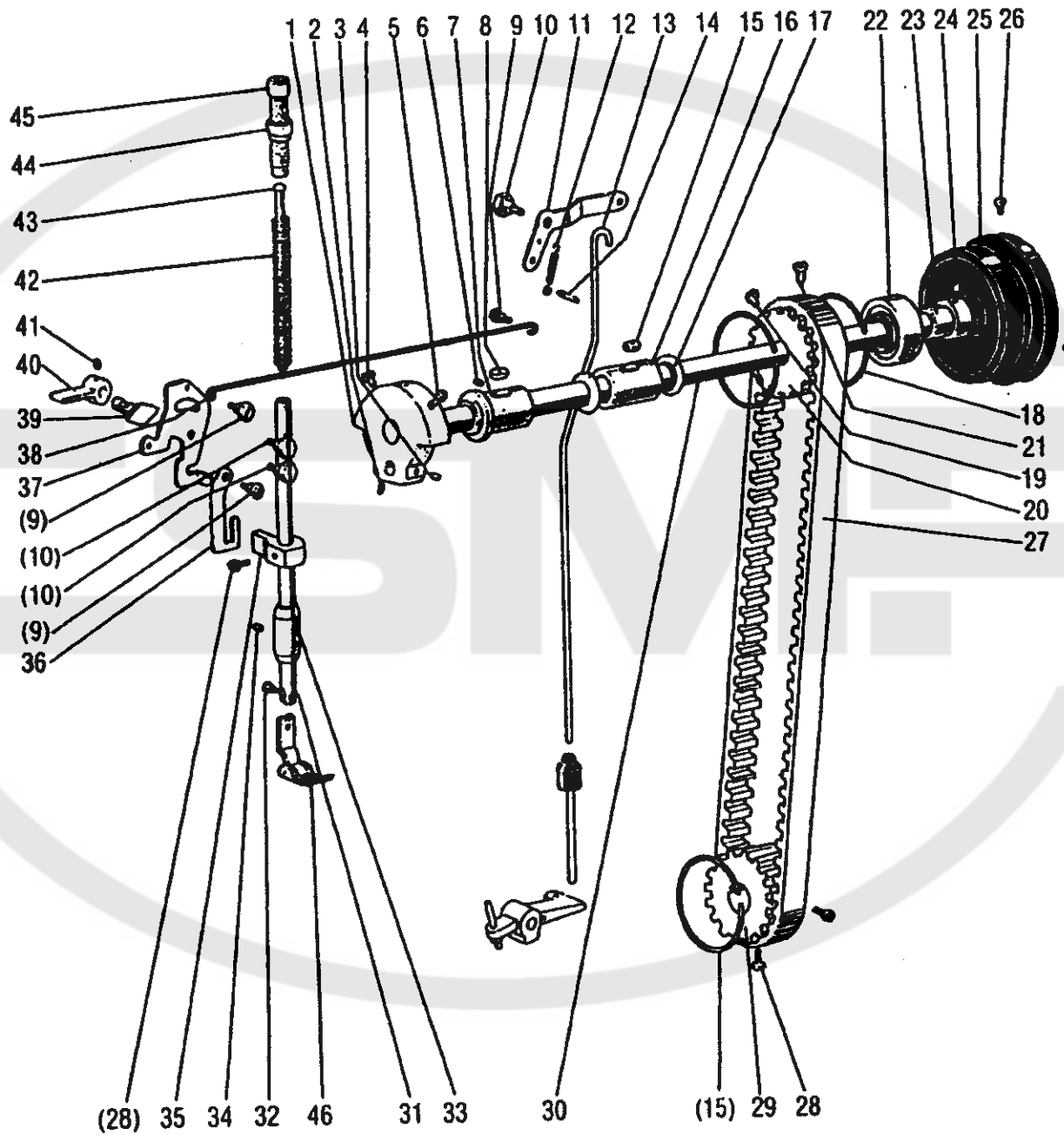
B: THREAD TENSION REGULATOR MECHANISM

No.	Ref. No.	Description	LP 9941 R	LP 9942 R
B01	H6302001	Screw	2	2
B02	H6302002	Tension releasing plate	1	1
B03	H6302003	Tension releasing spring	1	1
B04	H6302004	Mounting plate	1	1
B05	H6302005	Screw	2	2
B06	H6302006	Nut	2	2
B07	H6302007	Thread tension stud		1
B08	H6302008	Thread tension stud	1	1
B09	H6302009	Thread tension disc	2	4
B10	H6302010	Spring	1	2
B11	H6302011	Thumb nut	1	2
B12	H6302012	Pin	1	2
B13	H6302013	Pin		1
B14	H6302014	Screw	1	1
B15	H6302015	Thread guide	1	1
B16	H6302016	Thread tension releasing disc	1	2
B17	H6302017	Spring	1	2
B18	H6302018	Thumb nut revolution stopper	1	2
B19	H6302019	Thumb nut	1	2
B20	H6302020	Thread tension disc	2	4
B21	H6302021	Pin		1
B22	H6302022	Thread tension stud		1
B23	H6302023	Thread tension stud	1	1
B24	H6302024	Thumb nut		1
B25	H6302025	Take -up spring guide		1
B26	H6302026	Screw		1
B27	H6302027	Stopper		1
B28	H6302028	Thread tension post		1
B29	H6302029	Screw		2
B30	H6302030	Bushing		1
B31	H6302031	Plate complete		1
B32	H6302032	Thread Take -up spring		1
B33	H6302033	Plate		1
B34	H6302034	Thread Take -up spring		1
B35	H6302035	Plate complete		1
B36	H6302036	Screw		1

B: THREAD TENSION REGULATOR MECHANISM

No.	Ref. No.	Description	LP 9941 R	LP 9942 R
B37	H6302037	Thread tension stud		1
B38	H6302038	Screw	1	1
B39	H6302039	Pin	1	1
B40	H6302040	Tension releasing pin	1	1
B41	H6302041	Screw	1	1
B42	H6302042	Stopper	1	1
B43	H6302043	Thread tension stud	1	
B44	H6302044	Thread Take-up spring	1	
B45	H6302045	Plate complete	1	
B46	H6302046	Screw	1	
B47	H6302047	Thumb nut	1	

C: UPPER SHAFT & PRESSER FOOT MECHANISM



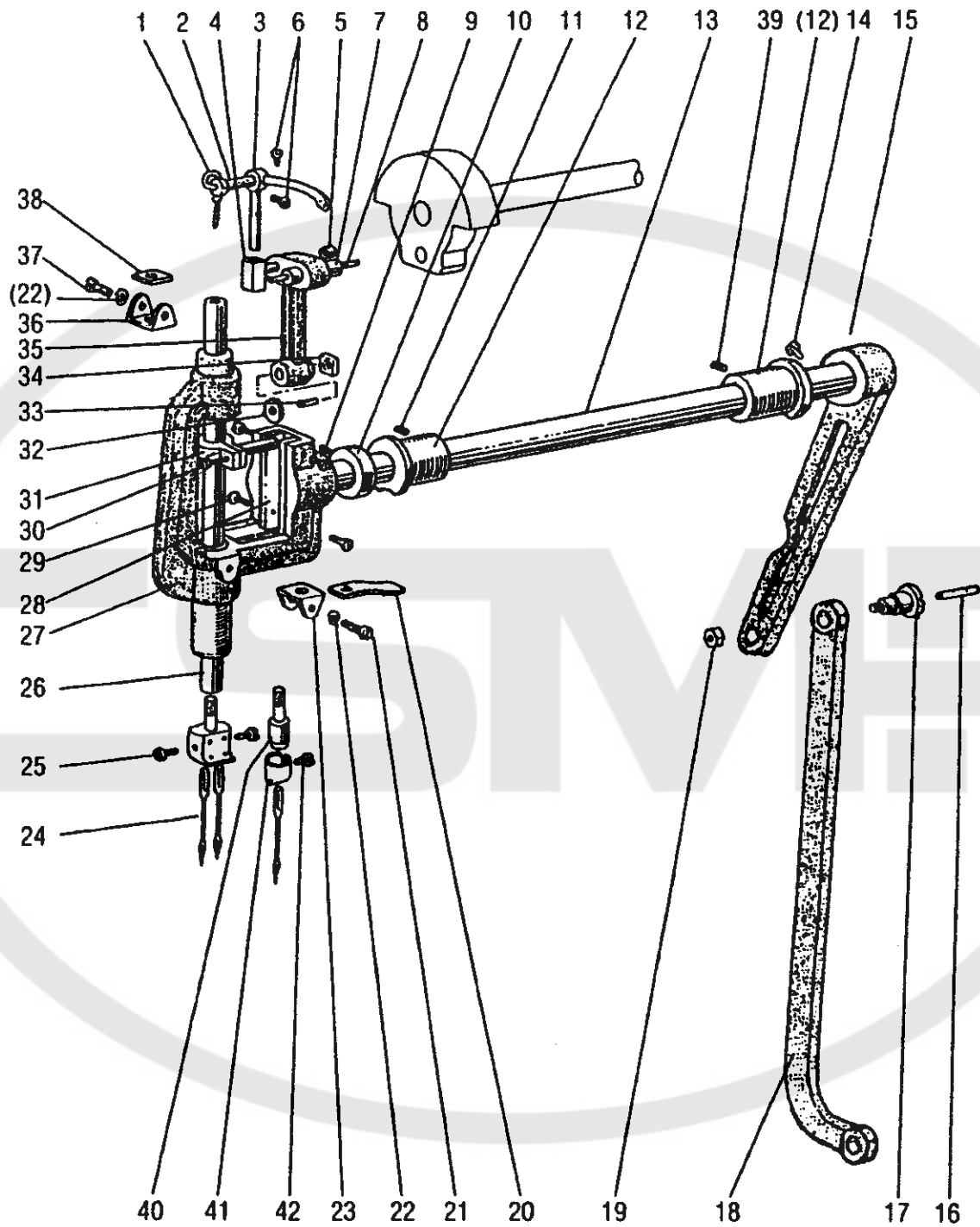
C: UPPER SHAFT & PRESSER FOOT MECHANISM

No.	Ref. No.	Description	LP 9941 R	LP 9942 R
C01	H6303001	Needle bar crank complete	1	1
C02	H6303002	Screw	1	1
C03	H6303003	Screw	1	1
C04	H6303004	Screw	1	1
C05	H6303005	Screw	1	1
C06	H6303006	Screw	1	1
C07	H6303007	Arm shaft bushing left (complete)	1	1
C08	H6303008	Felt	1	1
C09	H6303009	Screw	3	3
C10	H6303010	Bolt	3	3
C11	H6303011	Knee lifter lever (right)	1	1
C12	H6303012	Spring	1	1
C13	H6303013	Knee lifter connecting rod	1	1
C14	H6303014	Pin	1	1
C15	H6303015	Felt	1	1
C16	H6303016	Arm shaft bushing (middle)	1	1
C17	H6303017	Oil seal	2	2
C18	H6303018	Spring flange	2	2
C19	H6303019	Screw	1	1
C20	H6303020	Pulley	1	1
C21	H6303021	Screw	1	1
C22	H6303022	Ball bearing	1	1
C23	H6303023	Bushing	1	1
C24	H6303024	Screw	2	2
C25	H6303025	Pulley	1	1
C26	H6303026	Screw	2	2
C27	H6303027	Cog belt	1	1
C28	H6303028	Screw	3	3
C29	H6303029	Pulley complete	1	1
C30	H6303030	Arm shaft	1	1
C31	H6303031	Presser bar	1	1
C32	H6303032	Screw	1	1
C33	H6303033	Bushing	1	1
C34	H6303034	Screw	2	2
C35	H6303035	Presser bar guide bracket	1	1
C36	H6303036	Operation plate	1	1

C: UPPER SHAFT & PRESSER FOOT MECHANISM

No.	Ref. No.	Description	LP 9941 R	LP 9942 R
C37	H6303037	Knee lifter lever left	1	1
C38	H6303038	Knee lifter rod	1	1
C39	H6303039	Presser bar lifting cam	1	1
C40	H6303040	Presser bar lifter (complete)	1	1
C41	H6303041	Screw	2	2
C42	H6303042	Spring	1	1
C43	H6303043	Presser spring guide	1	1
C44	H6303044	Special nut	1	1
C45	H6303045	Thumb nut	1	1
C46	H6303046	Presser foot complete		1
C46	H6203001	Presser foot complete	1	

D: THREADED TAKE-UP LEVER & NEEDLE BAR MECHANISM



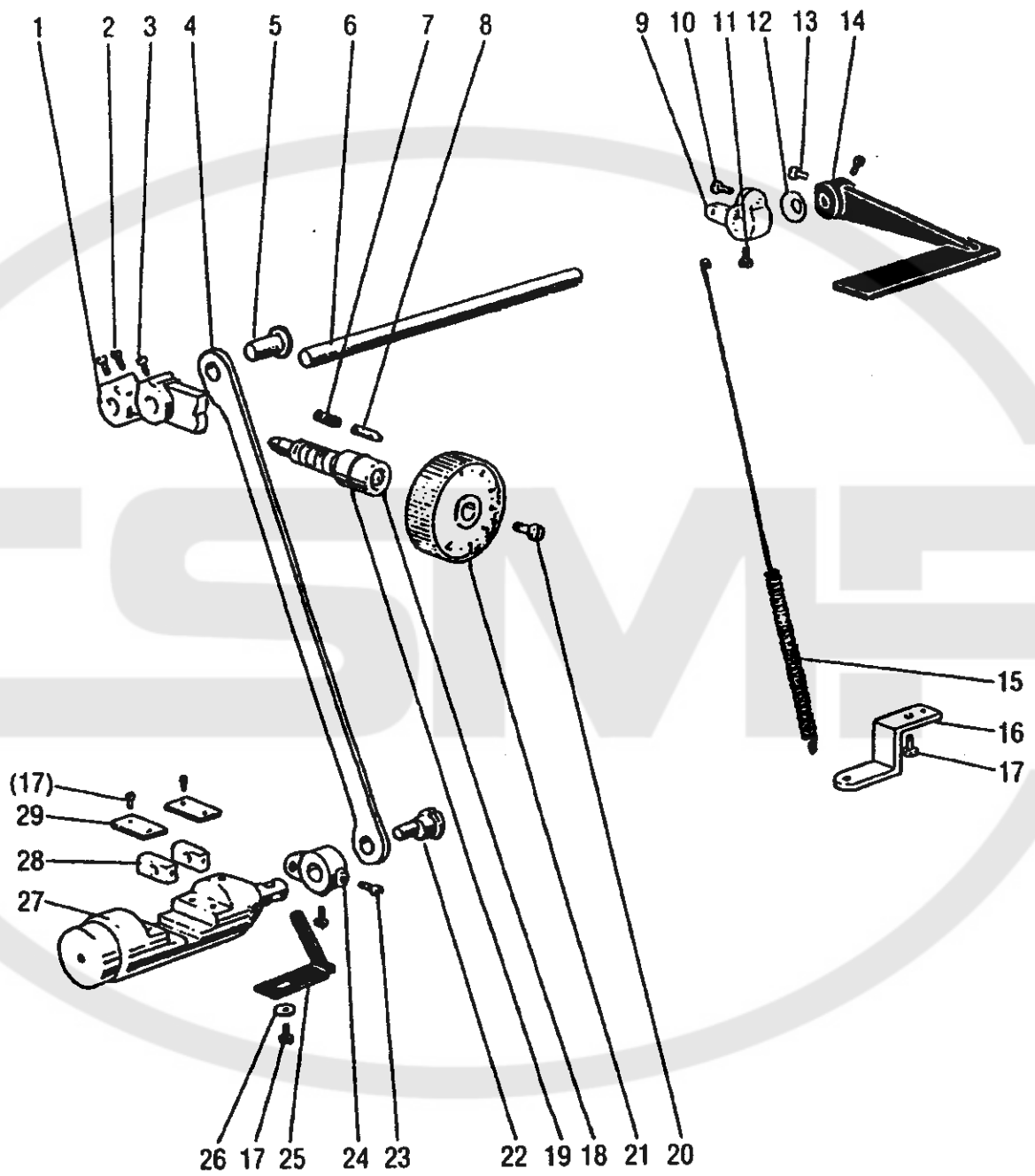
D: THRED TAKE-UP LEVER & NEEDLE BAR MECHANISM

No.	Ref. No.	Description	LP 9941 R	LP 9942 R
D01	H6304001	Oil wick	1	1
D02	H6304002	Thread Take-up guide bracket pin	1	1
D03	H6304003	Thread Take-up lever	1	1
D04	H6304004	Thread Take-up slide block	1	1
D05	H6304005	Plug	1	1
D06	H6304006	Screw	3	3
D07	H6304007	Thread take-up crank pin	1	1
D08	H6304008	Oil wick	1	1
D09	H6304009	Screw	1	1
D10	H6304010	Coller (complete)	1	1
D11	H6304011	Screw	1	1
D12	H6304012	Needle bar rock shaft bushing	2	2
D13	H6304013	Needle bar rock shaft	1	1
D14	H6304014	Screw	1	1
D15	H6304015	Needle bar rock shaf crank	1	1
D16	H6304016	Oil wick	1	1
D17	H6304017	Screw	1	1
D18	H6304018	Link	1	1
D19	H6304019	Nut	1	1
D20	H6304020	Felt	1	1
D21	H6304021	Screw	2	2
D22	H6304022	Spring washer	4	4
D23	H6304023	Holder	1	1
D24	H6304024	Needle	1	2
D25	H6304025	Needle clamp complete		1
D26	H6304026	Needle bar	1	1
D27	H6304027	Needle bar rock frame	1	1
D28	H6304028	Spacer	2	2
D29	H6304029	Screw	4	4
D30	H6304030	Screw	1	1
D31	H6304031	Needle bar connecting	1	1
D32	H6304032	Washer	1	1
D33	H6304033	Felt	1	1
D34	H6304034	Square block	1	1
D35	H6304035	Needle bar connecting link	1	1
D36	H6304036	Holder	1	1

D: THRED TAKE UP LEVER & NEEDLE BAR MECHANISM

No.	Ref. No.	Description	LP 9941 R	LP 9942 R
D37	H6304037	Screw	2	2
D38	H6304038	Felt	1	1
D39	H6304039	Screw	1	1
D40	H6204001	Needle clamp	1	
D41	H6204002	Needle bar thread guide	1	
D42	H6204003	Screw	1	

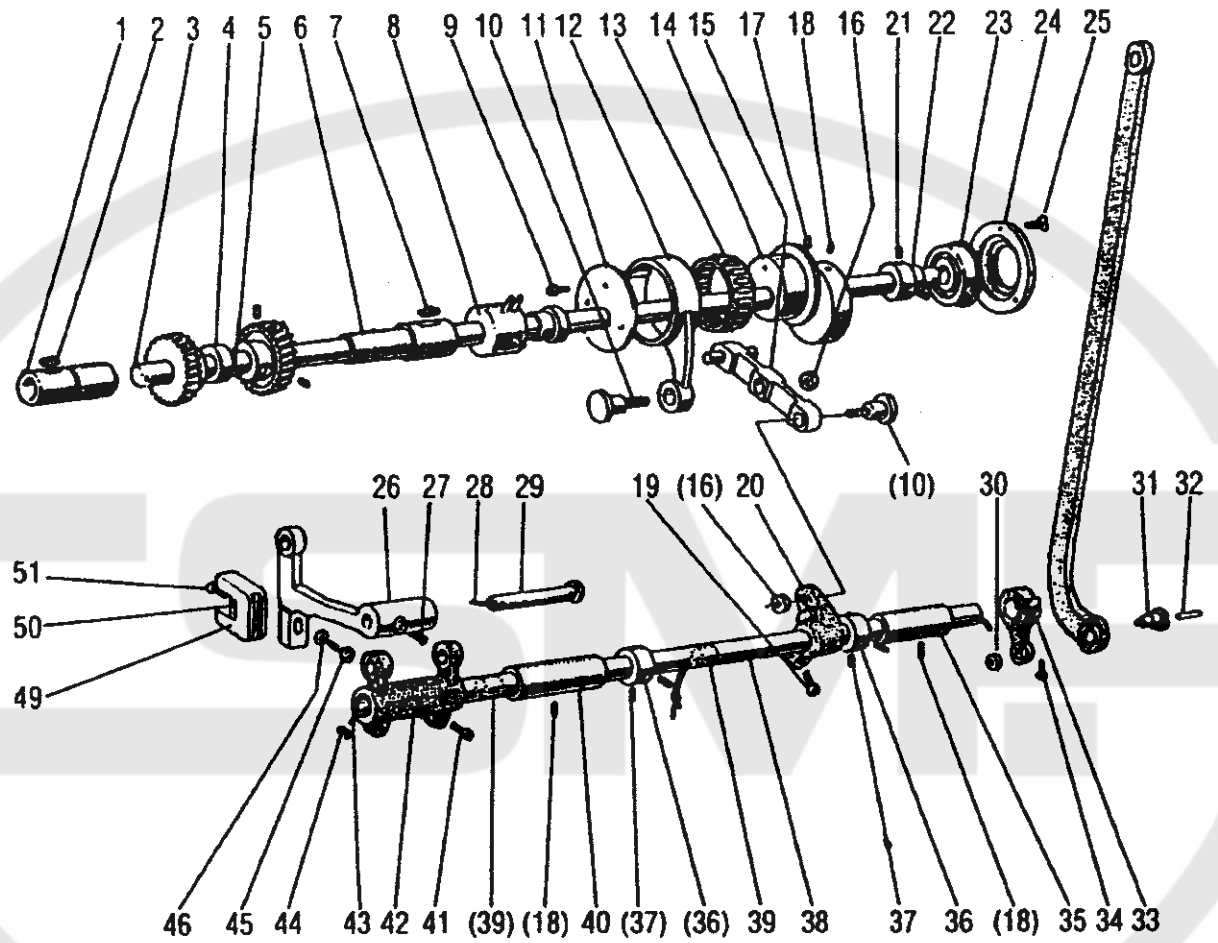
E: STICH REGULATOR MECHANISM



E: STICH REGULATOR MECHANISM

No.	Ref. No.	Description	LP 9941 R	LP 9942 R
E01	H6305001	Feed regulator	1	1
E02	H6305002	Screw	2	2
E03	H6305003	Screw	1	1
E04	H6305004	Connecting link	1	1
E05	H6305005	Hinge pin	1	
E06	H6305006	Reverse stitch shaft	1	1
E07	H6305007	Spring	1	1
E08	H6305008	Pin	1	1
E09	H6305009	Reverse stitch shaft crank	1	1
E10	H6305010	Screw	1	1
E11	H6305011	Screw	1	1
E12	H6305012	Spring washer	1	1
E13	H6305013	Screw	2	2
E14	H6305014	Reverse sewing lever(complete)	1	1
E15	H6305015	Spring	1	1
E16	H6305016	Bracket for spring	1	1
E17	H6305017	Screw	6	6
E18	H6305018	Screw bar	1	1
E19	H6305019	O-ring	1	1
E20	H6305020	Screw	1	1
E21	H6305021	Dial	1	1
E22	H6305005	Eccentric shaft	1	1
E23	H6305022	Screw	2	2
E24	H6305023	Stitch regulating crank lower	1	1
E25	H6305024	Holding plate of reverse bar	1	1
E26	H6305025	Washer	1	1
E27	H6305026	Reverse bar	1	1
E28	H6305027	Square block	2	2
E29	H6305028	Guide plate	2	2

F: LOWER SHAFT & FEED ROCK MECHANISM



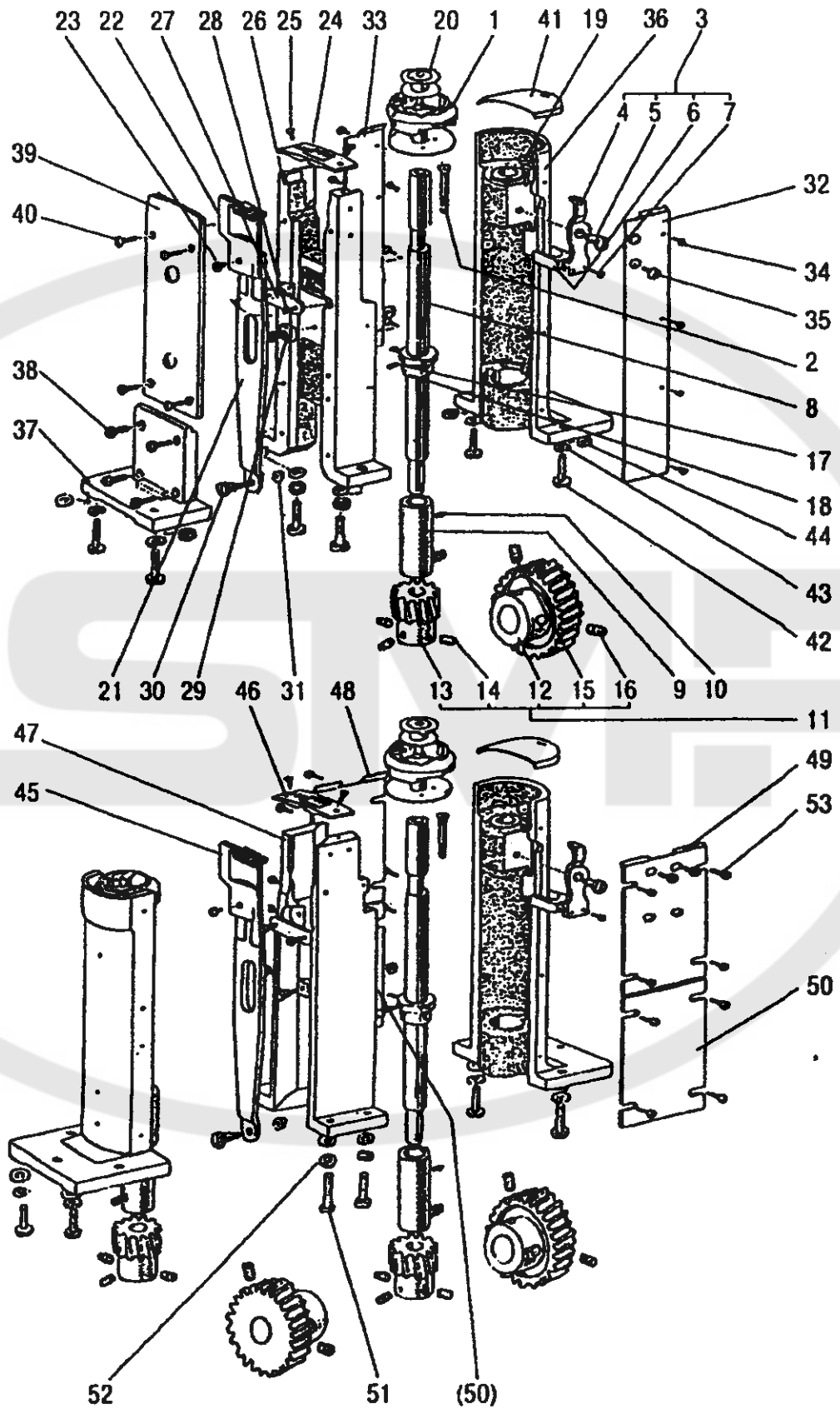
F: LOWER SHAFT & FEED ROCK MECHANISM

No.	Ref. No.	Description	LP 9941 R	LP 9942 R
F01	H6306001	Lower shaft bushing left	1	1
F02	H6306002	Oil wick	1	1
F03	H6306003	Lower shaft	1	1
F04	H6306004	Feed lifting cam	1	1
F05	H6306005	Screw	1	1
F06	H6306006	Lower shaft bushing right (complete)	1	1
F07	H6306007	Oil wick	1	1
F08	H6306008	Lower shaft bushing middle (complete)	1	1
F09	H6306009	Screw	3	3
F10	H6306010	Screw	2	2
F11	H6306011	Washer	1	1
F12	H6306012	Feed Connecting rod	1	1
F13	H6306013	Needle bearing	1	1
F14	H6306014	Level feed connecting cam	1	1
F15	H6306015	Link (complete)	1	1
F16	H6306016	Nut	2	2
F17	H6306017	Screw	1	1
F18	H6306018	Screw	3	3
F19	H6306019	Screw	1	1
F20	H6306020	Connecting rod crank (middle)	1	1
F21	H6306021	Screw	2	2
F22	H6306022	Bushing	1	1
F23	H6306023	Ball bearing	1	1
F24	H6306024	Bearing holder	1	1
F25	H6306025	Screw	3	3
F26	H6306026	Feed bar	1	1
F27	H6306027	Screw	1	1
F28	H6306028	Oil wick	1	1
F29	H6306029	Feed bar shaft	1	1
F30	H6306030	Nut	1	1
F31	H6306031	Screw	1	1
F32	H6306032	Oil wick	1	1
F33	H6306033	Feed rock shaft crank (right)	1	1
F34	H6306034	Screw	1	1
F35	H6306035	Feed rock shaft bushing (right)	1	1
F36	H6306036	Collar (complete)	2	2

F: LOWER SHAFT & FEED ROCK MECHANISM

No.	Ref. No.	Description	LP 9941 R	LP 9942 R
F37	H6306037	Screw	4	4
F38	H6306038	Feed rock shaft	1	1
F39	H6306039	Felt	2	2
F40	H6306040	Feed rock shaft bushing(left)	1	1
F41	H6306041	Screw	2	2
F42	H6306042	Feed bar assy crank	1	1
F43	H6306043	Oil wick	1	1
F44	H6306044	Holder	1	1
F45	H6306045	Bolt	1	1
F46	H6306046	Washer	1	1
F49	H6306049	Feed bar connecting fork	1	1
F50	H6306050	Felt	1	1
F51	H6306051	Screw	1	1

G: HOOK SADDLE MECHANISM



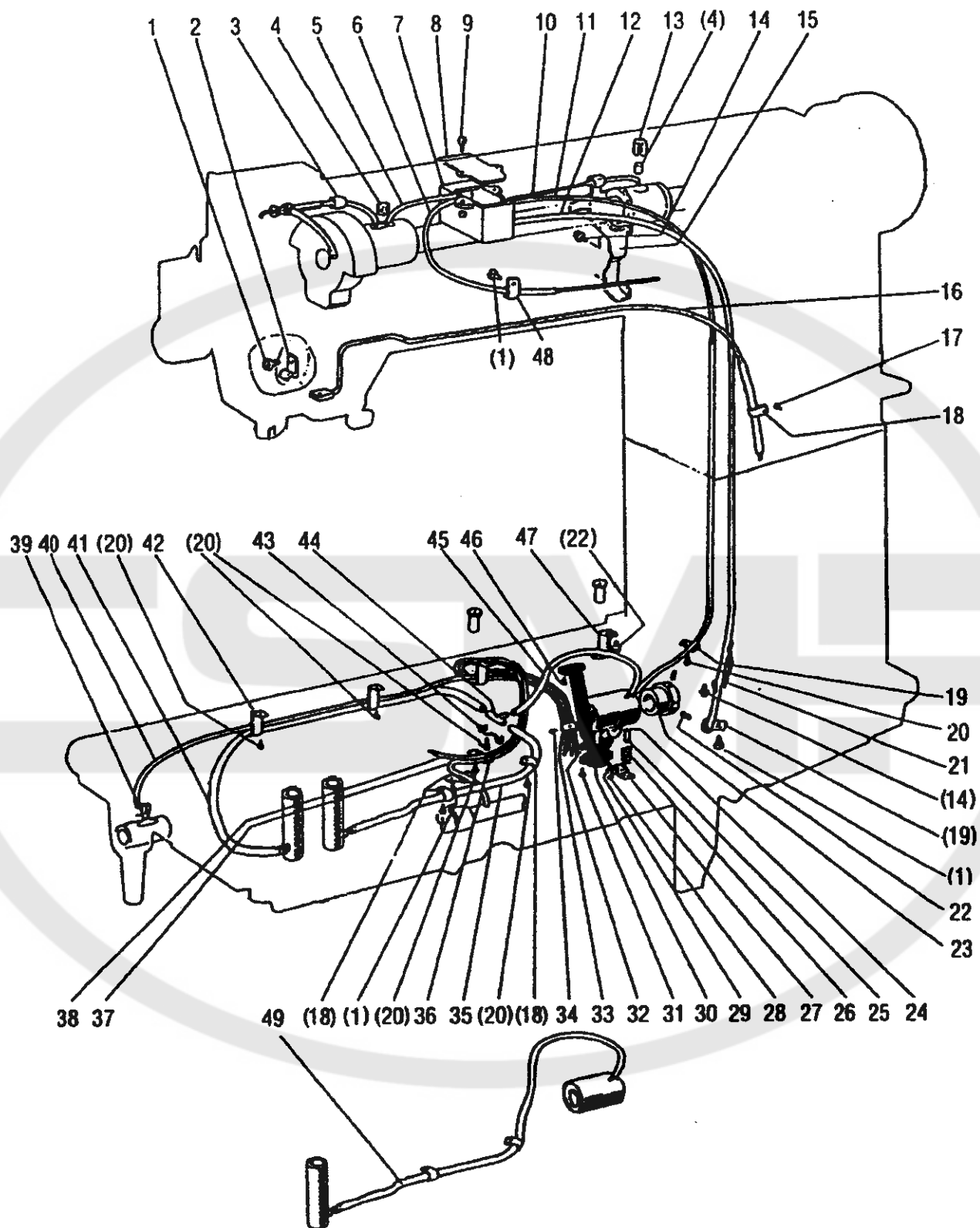
G: HOOK SADDLE MECHANISM

No.	Ref. No.	Description	LP 9941 R	LP 9942 R
G01	63H07001	Hook complete	1	2
G02	63H07002	Screw	1	2
G03	63H07003	Opener (complete)	1	2
G04	63H07004	Opener	1	2
G05	63H07005	Screw	1	2
G06	63H07006	Opener bracket	1	2
G07	63H07007	Screw	1	2
G08	63H07008	Hook shaft	1	2
G09	63H07009	Hook shaft bushing	1	2
G10	63H07010	Screw	1	2
G11	63H07011	Gear (complete)	1	2
G12	63H07012	Gear (large)	1	2
G13	63H07013	Gear (small)	1	2
G14	63H07014	Screw	3	6
G15	63H07015	Screw	1	2
G16	63H07016	Screw	1	2
G17	63H07017	Screw	2	4
G18	63H07018	Coller	1	2
G19	63H07019	Felt	1	2
G20	63H07020	Bobbin	1	2
G21	63H07021	Feed plate	1	1
G22	62H07001	Feed dog	1	
G23	63H07022	Screw	1	1
G24	62H07002	Needle plate	1	
G25	63H07023	Screw	2	2
G26	62H07003	Feed plate set bracket	1	
G27	63H07024	Supporter plate	1	1
G28	63H07025	Screw	2	2
G29	63H07026	Square block (complete)	1	1
G30	63H07027	Screw	1	1
G31	63H07028	Nut	1	1
G32	62H07004	Cover plate	1	
G33	62H07005	Cover plate	1	
G34	62H07006	Screw	8	
G35	63H07029	Screw	3	4
G36	63H07030	Hook shaft supporter	1	2

G: HOOK SADDLE MECHANISM

No.	Ref. No.	Description	LP 9941 R	LP 9942 R
G37	62H07007	Side cover bracket	1	
G38	62H07008	Screw	1	
G39	62H07009	Rear cover plate	1	
G40	62H07010	Screw	1	
G41	63H07031	Slide plate	1	2
G42	63H07032	Screw	6	6
G43	63H07033	Spring washer	6	6
G44	63H07034	Washer	6	6
G45	63H07035	Feed dog		1
G46	63H07036	Needle plate		1
G47	63H07037	Feed plate set bracket		1
G48	63H07038	Cover plate		1
G49	63H07039	Cover plate		1
G50	63H07040	Cover plate		2
G51	63H07041	Screw		2
G52	63H07042	Washer		2
G53	63H07043	Screw		16

H: OIL LUBRICATION MECHANISM



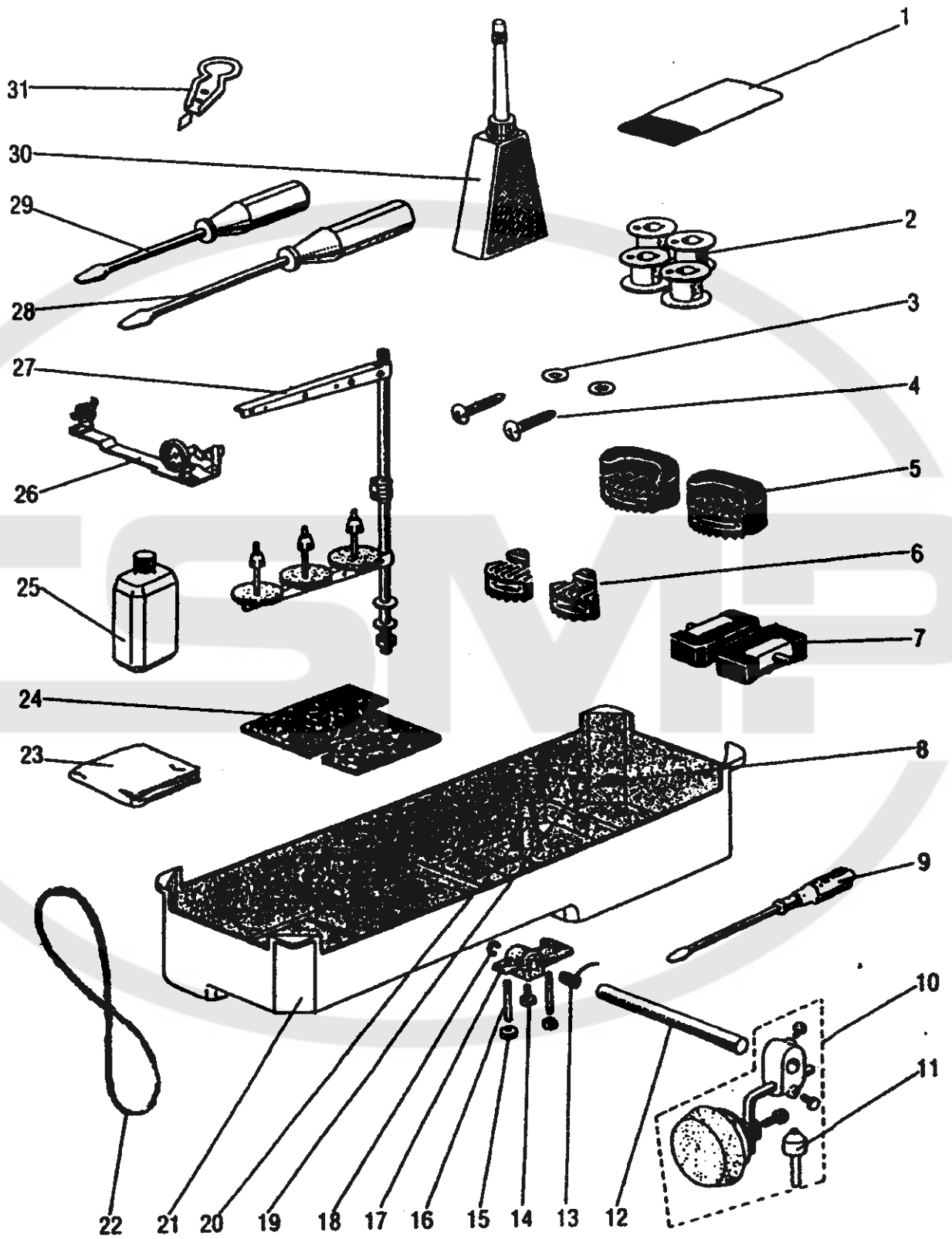
II: OIL LUBRICATION MECHANISM

No.	Ref. No.	Description	LP 9941 R	LP 9942 R
H01	63H08001	Screw	4	4
H02	63H08002	Holder	1	1
H03	63H08003	Pipe	1	1
H04	63H08004	Felt	2	2
H05	63H08005	Oil pipe & wick complete	1	1
H06	63H08006	Oil pipe & wick complete	1	1
H07	63H08007	Oil tank complete	1	1
H08	63H08008	Gasket	1	1
H09	63H08009	Screw	2	2
H10	63H08010	Oil pipe & wick complete	1	1
H11	63H08011	Pipe	1	1
H12	63H08012	Pipe	1	1
H13	63H08013	Pipe	1	1
H14	63H08014	Screw	3	3
H15	63H08015	Holder	1	1
H16	63H08016	pipe & felt complete	1	1
H17	63H08017	Screw	7	7
H18	63H08018	Holder	3	3
H19	63H08019	Holder	2	2
H20	63H08020	Screw	6	7
H21	63H08021	Holder	1	1
H22	63H08022	Screw	2	2
H23	63H08023	Bushing	1	1
H24	63H08024	Pipe	1	1
H25	63H08025	Pin	1	1
H26	63H08026	Spring	1	1
H27	63H08027	Spring holder	1	1
H28	63H08028	Screw	1	1
H29	63H08029	Screw	1	1
H30	63H08030	Filter	1	1
H31	63H08031	Screw	1	1
H32	63H08032	Base plate complete	1	1
H33	63H08033	Holder	1	1
H34	63H08034	Screw	1	1
H35	63H08035	Pipe	1	1
H36	63H08036	Holder	1	1

H: OIL LUBRICATION MECHANISM

No.	Ref. No.	Description	LP 9941 R	LP 9942 R
H37	63H08037	Oil pipe & wick complete	1	1
H38	63H08038	Oil pipe & wick complete	1	1
H39	63H08039	Oil wick	3	3
H40	63H08040	Oil pipe & wick complete	1	1
H41	63H08041	Pipe		1
H42	63H08042	Holder	3	3
H43	63H08043	Holder		1
H44	63H08044	Oil pipe connector		1
H45	63H08045	Pipe		1
H46	63H08046	Screw	2	2
H47	63H08047	Holding plate	1	1
H48	63H08048	Holder	1	1
H49	62H08001	Pipe	1	

1: ACCESSORIES



I: ACCESSORIES

No.	Ref. No.	Description	LP 9941 R	LP 9942 R
101	63H09001	Needle		6
101	62H09001	Needle	6	
102	63H09002	Bobbin	2	4
103	63H09003	Washer	4	4
104	63H09004	Screw	4	4
105	63H09005	Vibration preventing rubber	2	2
106	63H09006	Vibration preventing rubber	2	2
107	63H09007	Hinge complete	2	2
108	63H09008	Magnet block for reservoir	1	1
109	63H09009	Screw driver (large)	1	1
110	63H09010	Small parts	1	1
111	63H09011	Knee lifter pin	1	1
112	63H09012	Knee lifter shaft	1	1
113	63H09013	Spring	1	1
114	63H09014	Bolt	1	1
115	63H09015	Nut	2	2
116	63H09016	Screw	2	2
117	63H09017	Knee lifter crank	1	1
118	63H09018	E type stop ring	1	1
119	63H09019	Washer	1	1
120	63H09020	Screw	1	1
121	63H09021	Oil reservoir	1	1
122	63H09022	V belt	1	1
123	63H09023	Vinyl cover	1	1
124	63H09024	Felt	1	1
125	63H09025	Oil can	1	1
126	63H09026	Bobbin winder	1	1
127	63H09027	Cotton stand	1	1
128	63H09028	Screw driver (middle)	1	1
129	63H09029	Screw driver (small)	1	1
130	63H09030	Oiler	1	1
131	63H09031	Thread needle kit	1	1