


GLOBAL

INDUSTRIAL SEWING MACHINES

*** **PARTS BOOK /**
INSTRUCTION MANUAL ***

CSTMP

MOD. FOA 926

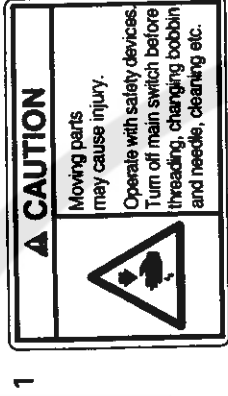


使用説明書

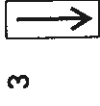
INSTRUCTION MANUAL

Warning labels

★ The following warning labels appear on the sewing machine. If the labels have been removed or are difficult to read, please contact your nearest Brother dealer.



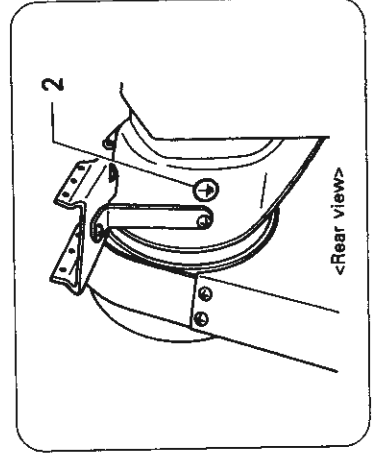
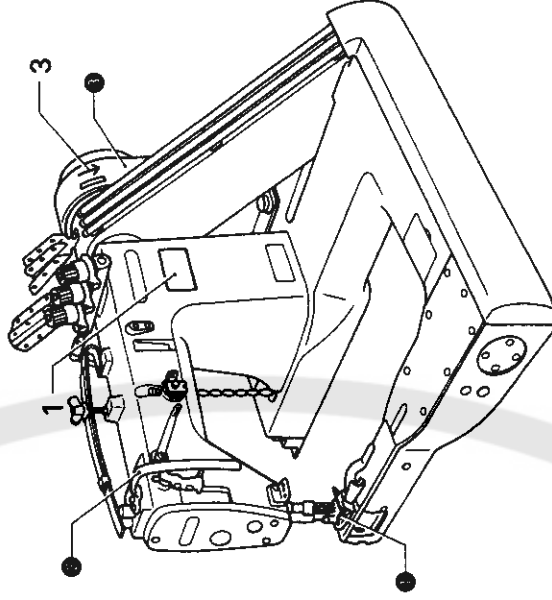
Be sure to connect the ground, if the ground connection is not secure, you run the risk of receiving a serious electric shock.



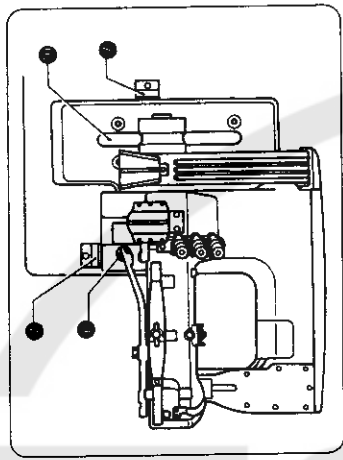
Direction of operation

Safety devices

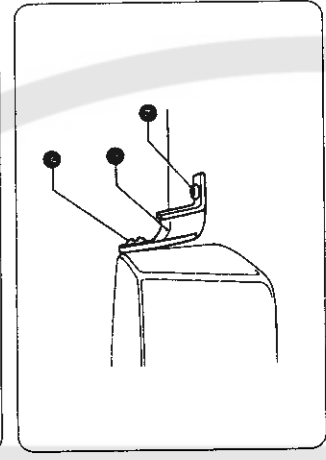
- Finger guard
- Thread take-up cover
- Pulley cover, etc.



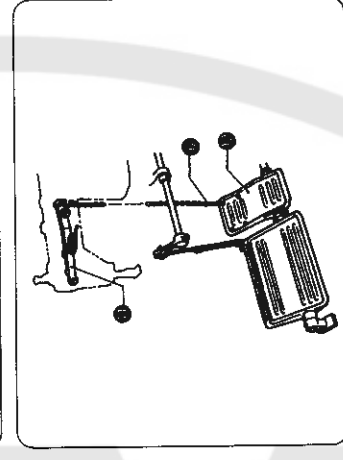
3. Place the machine head on the table, adjust its position in forward and backward directions by aligning it with the hole for presser bar lifter chain, and in side-wise directions by aligning it with belt hole.



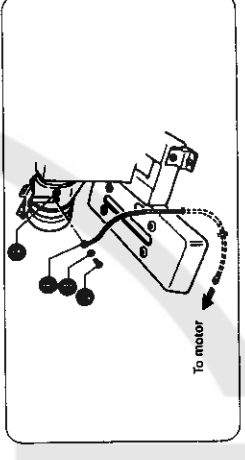
4. After fastening cushions to the machine bed and pulley cover base with set screws, fix them to the table with screws.
* Place the work table so that the machine head is horizontal, if the machine head is not horizontal, lubrication will not be carried out correctly.



5. Connect the presser bar lifter chain to the knee lifter lever and the presser lifter pedal.



5-2. Ground wire connections



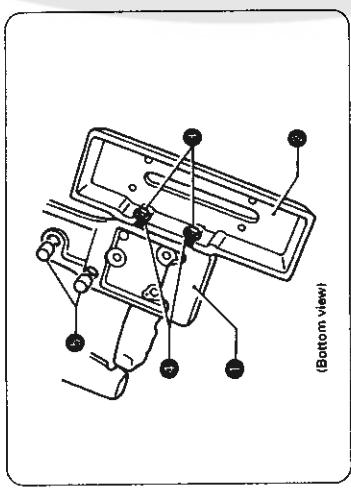
Connect the ground wire to the sewing machine head and motor.
(Use the correct type of ground wire and washer.)
1. Remove lower thread guide holder screw.
2. Secure the ground wire to the sewing machine head with screw and washer. (The attachment location is indicated by a ground symbol.)
3. Pass the ground wire through the hole in the table.
4. Connect the ground wire to the motor in accordance with the instructions in the instruction manual for the motor.

5. INSTALLATION

CAUTION

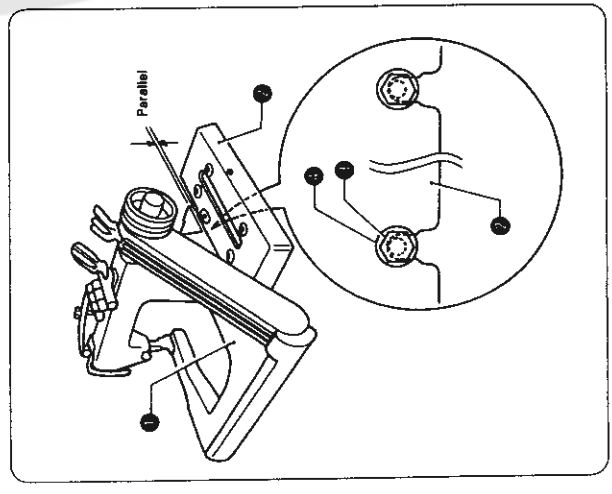
- The sewing machine should only be installed by a qualified technician.
- Ask your Brother dealer or a qualified electrician for any electrical work that may need to be done.
- The sewing machine weighs more than 49 kg. The installation should be carried out by two or more people.
- Do not connect the power cord until installation is complete, otherwise the machine will operate if the treadle is pressed by mistake, which could result in injury.
- Be sure to connect the ground. If the ground connection is not secure, serious electric shocks will result.
- Install the pulley cover to the machine head.

5-1. Installing the machine head

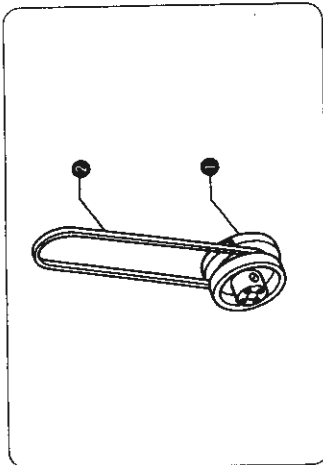


1. Install pulley cover base on machine bed with two hexagonal bolts and two washers.
2. Insert two bar cushions into the holes in the bottom of the bed.

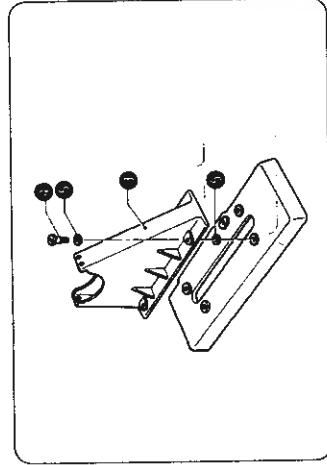
* At this time, install the two hexagonal bolts so that they go as far as possible into the notches in the pulley cover base. Furthermore, check that the pulley cover base is parallel to the bed. (If it is not parallel, the pulley cover may touch the machine pulley.)



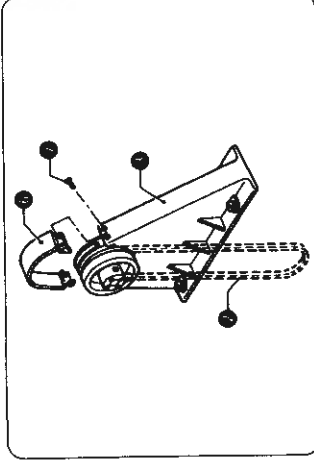
5-3. Installing the pulley cover



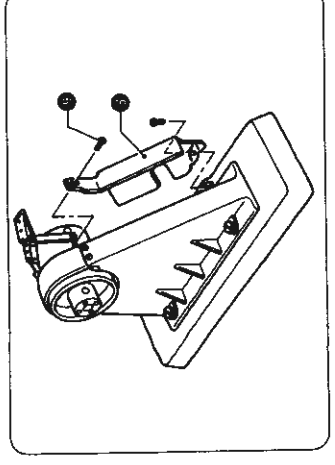
1. Place the belt ① onto the machine pulley ②.
* Pull the belt ① upward when installing pulley cover A ③.



2. Place pulley cover A ③ so that it is in between the eight pulley cover seats ④, and then secure it to the pulley cover base with the four screws ⑤.

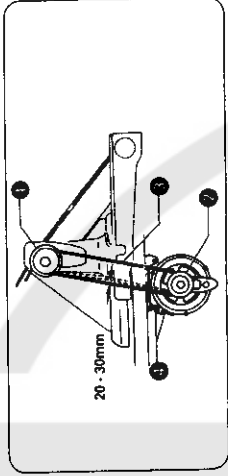


3. Push the belt ① downward, and then install pulley cover B ⑥ to pulley cover A ③ with the three screws ⑦.



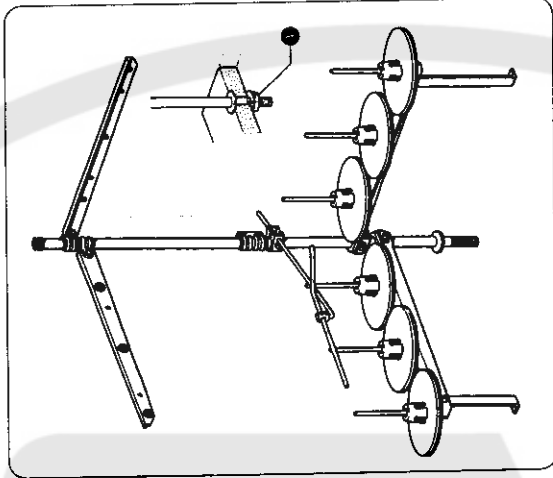
4. If the machine is being used with the puller attached, install the puller belt cover ⑧ with the two screws ⑨.

5-4. Belt tension adjustment



1. Place the V-belt ① onto the motor pulley ②.
2. Turn the two nuts ③ to adjust so that there is 20 - 30 mm of deflection in the V-belt ① when it is pressed at the midway point with a force of 9.8 N (1 kgf).

5-5. Cotton stand



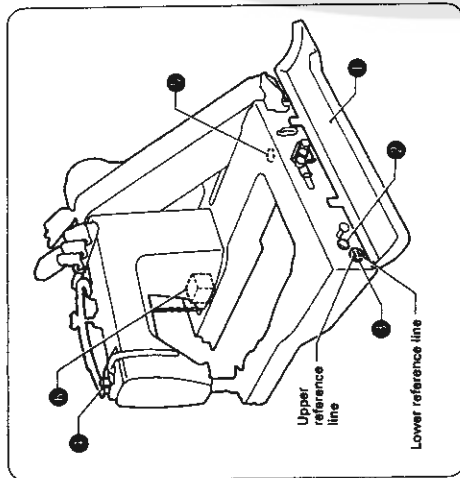
1. Assemble the cotton stand while referring to the cotton stand instruction manual.
2. Install the cotton stand to the cotton stand mounting hole in the work table with the nut ④.

5. INSTALLATION

5-6. Lubrication

CAUTION

- Be sure to wear protective goggles and gloves when handling the lubricating oil, so that no oil gets into your eyes or onto your skin, otherwise inflammation can result. Furthermore, do not drink the oil under any circumstances, as it can cause vomiting and diarrhoeas. Keep the oil out of the reach of children.



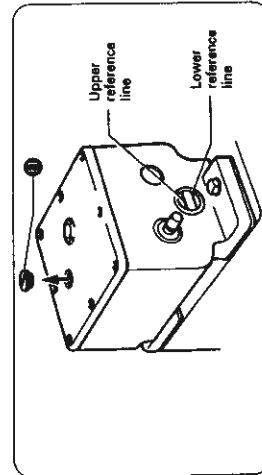
- The sewing machine should always be lubricated and the oil supply replenished before it is used for the first time, and also after long periods of non-use.

★ Use only the lubricating oil (Nisseki Sewing Lube 15) specified by Brother.

- Open the front cover ①, remove the rubber plug ②, and then fill with oil until the oil level reaches the point in between the reference lines on the oil gauge ③.
 - If the oil level drops to the lower reference line, be sure to add more oil.
 - Insert the rubber plug ② and then close the front cover ①.
 - Add 1 - 2 drops of oil once a week to needle bar bracket lubrication hole ④.
 - Periodically loosen the oil drain screw ⑤ to drain out any oil which collects in the front bed oil sump. After draining the oil, tighten the oil drain screw ⑤.
 - Periodically wipe away any oil which collects in the rear bed oil sump ⑥ with a cloth.
6. Turn the machine pulley, so that the oil hole cover ⑦ is facing upward, and then remove the oil hole cover ⑦ and fill the oil tank ⑧ with oil.
If the level of lubricating oil drops below the middle reference line ⑨ on the oil tank, no oil will be drawn into the upper shaft, and the upper shaft will thus not be lubricated sufficiently. Be sure to maintain the lubricating oil level at a level above the center reference line.
7. Attach the oil hole cover ⑦.

- If the machine is being used with the puller attached, remove the cover screws ⑩ and fill with oil until the level reaches the upper reference line in the oil sight glass.

- If the oil level drops to the lower reference line, be sure to add more oil. After lubrication is completed, tighten the cover screws ⑩.

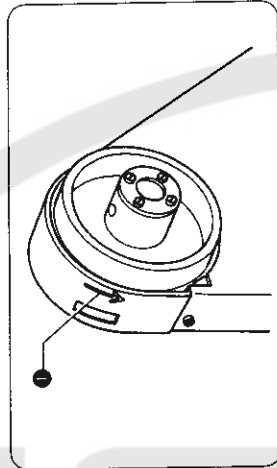


5. INSTALLATION 6. PREPARATION BEFORE SEWING

5-7. Checking the machine pulley rotating direction

CAUTION

- Do not touch any of the moving parts or place any objects against the machine while sewing, as this may result in personal injury or damage to the machine.



- Insert the power cord plug into the wall outlet, and then turn on the power switch.
 - Depress the treadle slightly and check that the machine pulley starts to turn in the direction of the arrow ①.
 - If the direction of rotation is reversed, change the direction of rotation to the correct direction while referring to the instruction manual for the motor.
- For the first 3 - 4 days of use, do not run the machine at 500 spm lower than the usual speed. This will help contribute to a longer service life for the machine.

6. PREPARATION BEFORE SEWING

6-1. Needles and threads

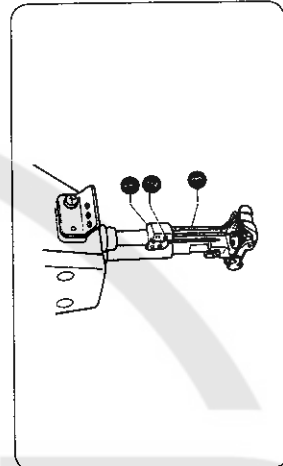
The needle and threads to be used vary depending on sewing conditions. Select the correct ones by referring to the table below.

Needle	Thread	
	Upper thread	Lower thread
SCHMETZ TVX-5 #130	spun yarn #30	spun yarn #30
#140	spun yarn #20	spun yarn #30

6-2. Installing the needles

CAUTION

- Turn off the power switch before installing the needle, otherwise the machine may operate if the treadle is pressed by mistake, which could result in injury.



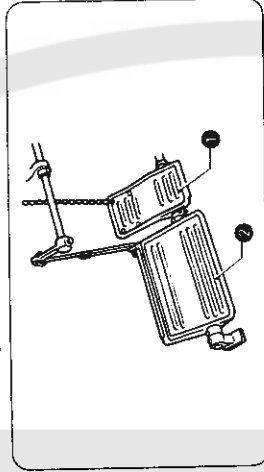
- Turn the pulley until needle holder ① is raised to the highest position.
- Loosen needle set screws ②, hold needles ③ with their long grooved side facing front, insert them into needle holder ④ all the way, and fasten the needle with needle set screws ⑤.

7. SEWING

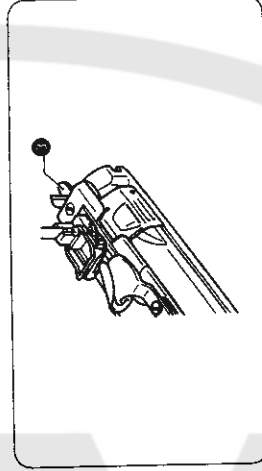
CAUTION

- Attach all safety devices before using the sewing machine. If the machine is used without these devices attached, injury may result.
- Turn off the power switch at the following times, otherwise the machine may operate if the treadle is pressed by mistake, which could result in injury.
 - When threading the needle
 - When replacing the needle
 - When not using the machine and when leaving the machine unattended
- Do not touch any of the moving parts or place any objects against the machine while sewing, as this may result in personal injury or damage to the machine.

7-1. Sewing



1. Switch the power on.
2. Depress presser lifter pedal ① and place the work under the presser foot.
3. Release the presser lifter pedal.
4. The machine starts running when treadle ④ is stepped down.



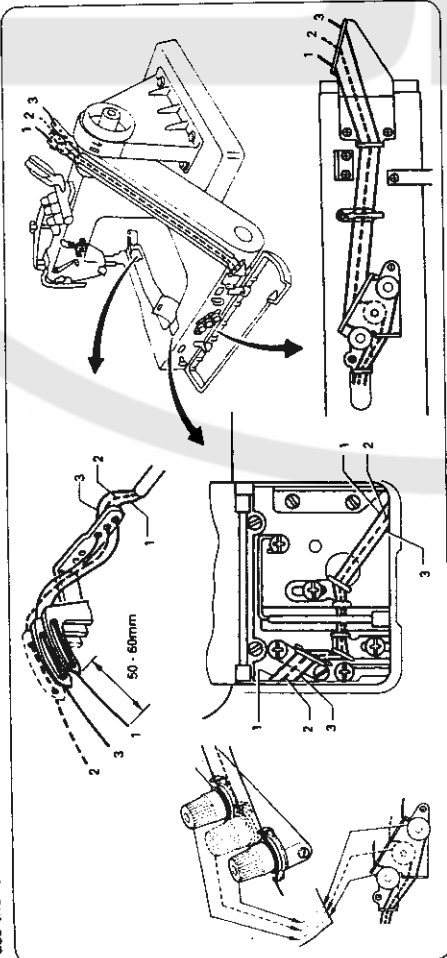
5. After sewing the work, move the work to thread cutter ⑤ to make blank stitches, and cut the thread with it.

6-3. Threading the lower threads

CAUTION

- Turn off the power switch before threading the upper thread, otherwise the machine may operate if the treadle is pressed by mistake, which could result in injury.

Pass the lower threads as shown in the figure below.

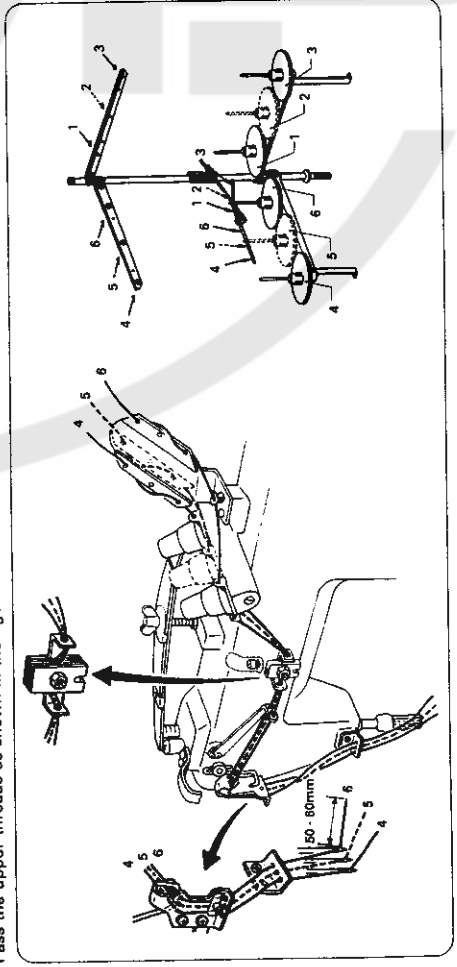


6-4. Threading the upper threads

CAUTION

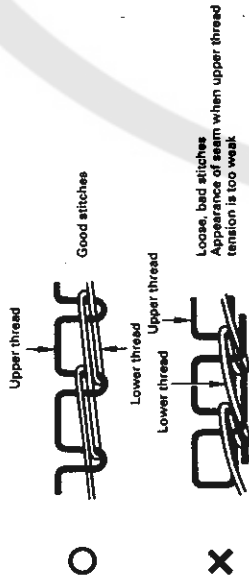
- Turn off the power switch before threading the upper thread, otherwise the machine may operate if the treadle is pressed by mistake, which could result in injury.

Pass the upper threads as shown in the figure below.

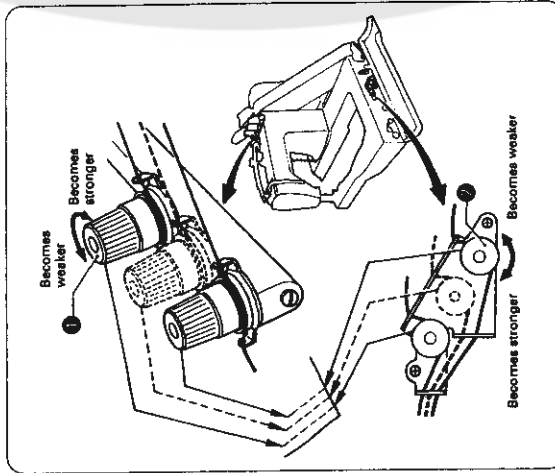


8. THREAD TENSION

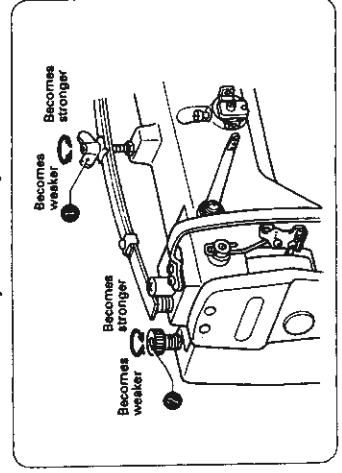
8-1. Adjusting the thread tension



1. Adjust the upper thread tension properly by turning upper thread adjusting screw.
2. Adjust the lower thread tension properly by turning lower thread adjusting screw.



8-2. Presser foot pressure adjustment



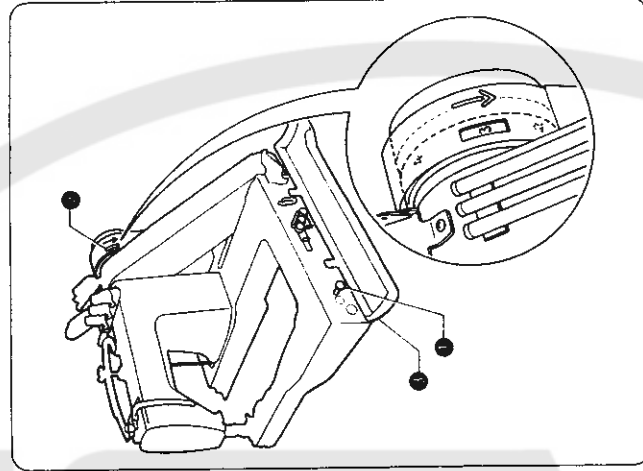
Adjust the presser foot pressure by turning wing nut so that the pressure is just enough to feed the work positively and keep the work from slipping.

* In case of Machines with puller the puller pressure can be adjusted as appropriate to the work by turning presser adjusting screw.

8-3. Adjusting the stitch length

CAUTION

Turn off the power supply before adjusting the stitch length, otherwise the machine will operate if the treadle is pressed by mistake, which could result in injury. However, the motor will keep turning even after the power is switched off as a result of the motor's inertia. Wait until the motor stops fully before starting work.



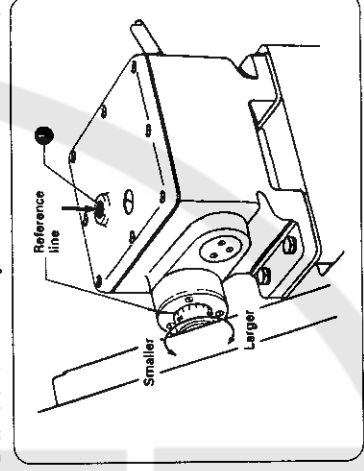
- The numerals on the machine pulley scale represent the stitch length (mm), however the actual stitch length will vary depending on the type and thickness of material being used.
1. Open the front cover.
 2. While pressing the feed adjustment button, turn the machine pulley toward you slowly. (The feed adjustment button will move further inward.)
 3. While still pressing the feed adjustment button, keep turning the machine pulley until the desired numeral appears in the center of the pulley cover windows. The higher the value of the numeral, the larger the stitch length becomes.
 - Release the feed adjustment button.
 - (Check that the feed adjustment button pops back out again.)
 4. Close the front cover.

NOTE:

Do not press the feed adjustment button while the machine is operating, as doing so may damage the machine parts.

When sewing with the stitch length set close to the maximum length, you will need to adjust the needle guard in accordance with the type of material and the type of thread being used.

8-4. Puller feed adjustment (Machines with puller)



1. With feed adjusting button lightly pressed with your finger, turn the pulley toward yourself until feed adjusting button goes in one step deeper.
2. Keep pressing feed adjusting button, and turn the pulley to set your desired feed position on the scale to the reference line.
 - The more you turn the pulley toward yourself, the smaller will be the feed.
 - * Adjust the puller feed after seeing the finished stitches of the work (Refer to page 13).

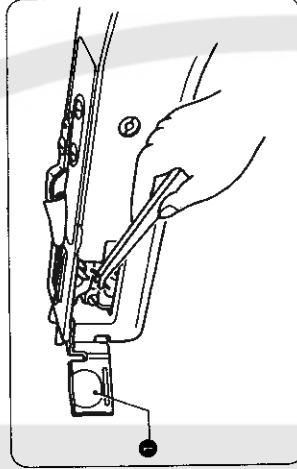
9. CLEANING

The following cleaning operations should be carried out each day in order to maintain the performance of this machine and to ensure a long service life.

CAUTION

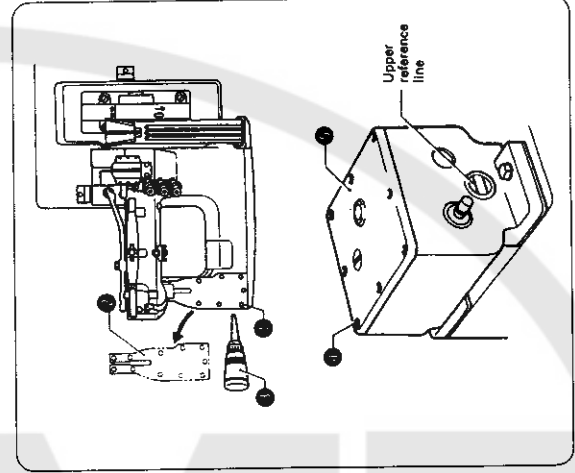
- Turn off the power switch before carrying out cleaning. The motor will keep turning even after the power is switched off as a result of the motor's inertia. Wait until the motor stops fully before starting work. The machine may operate if the treadle is pressed by mistake, which could result in injury.
- Be sure to wear protective goggles and gloves when handling the lubricating oil, so that no oil gets into your eyes or onto your skin, otherwise inflammation can result. Furthermore, do not drink the oil under any circumstances, as it can cause vomiting and diarrhoea. Keep the oil out of the reach of children.

9-1. Daily cleaning



- **Cleaning the machine**
 1. Open the looper side plate ❶ and clean away any thread scraps and other rubbish.
 2. After cleaning, close the looper side plate ❶.
- **Lubrication**
Refer to "5-6. Lubrication" on page 7.
- **Checking**
 1. Check that the threads are threaded correctly. (Refer to page 9.)
 2. If the tips of the needles are broken, replace the broken needles.
 3. Carry out a trial sewing.

9-2. Changing the lubricating oil (every three months)



The lubricating oil should be changed at least once every three months.

1. Remove the 11 screws ❶, and then open the forward feed arm cover ❷.
2. Draw up all of the lubricating oil inside the machine into the oil bottle ❸.
3. Fill the machine with oil until the oil level reaches the point in between the reference lines on the oil gauge. (Refer to page 7.)
4. Close the forward feed arm cover ❷ and secure it with the 11 screws ❶.

[Machines with puller]

1. Remove the eight screws ❹, and then open the puller top cover ❺.
2. Draw up all of the lubricating oil inside the machine into the oil bottle ❸.
3. Fill the machine with oil until the oil level reaches the top reference line on the oil gauge. (Refer to page 7.)
4. Close the puller top cover ❺ and secure it with the eight screws ❹.

* The table below shows samples of stitches made with a highly elastic fabric and a fabric which is not so elastic. Adjust the puller feed by referring to this table.

Puller feed	Fabric with high elasticity	Fabric with low elasticity
Correct	 Feed direction	 Feed direction
Insufficient	 Non-aligned, and wrinkled.	 Non-aligned, and wrinkled.
Excessive	 Non-aligned, and very wavy.	 Non-aligned, and very wavy.

10. STANDARD ADJUSTMENTS

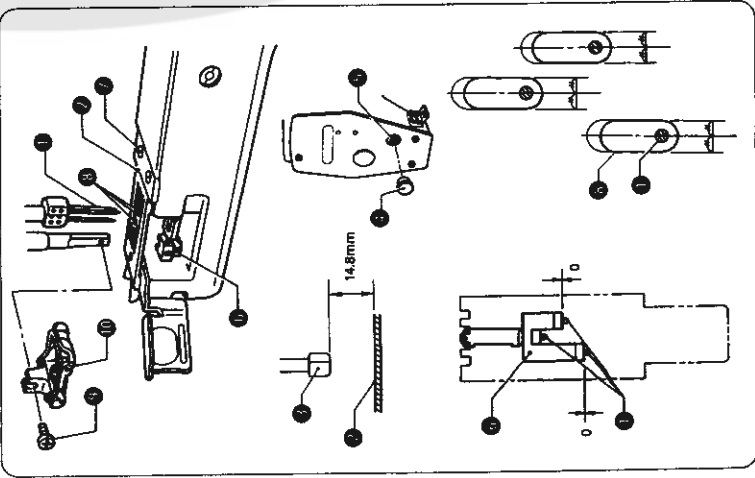
CAUTION

- Maintenance and inspection of the sewing machine should only be carried out by qualified personnel.
- Ask your Brother dealer or a qualified electrician to carry out any maintenance and inspection of the electrical system.
- Turn off the power switch and disconnect the power cord from the wall outlet at the following times, otherwise the machine may operate if the treadle is pressed by mistake, which could result in injury. However, the motor will keep turning even after the power is switched off as a result of the motor's inertia. Wait until the motor stops fully before starting work.
- When carrying out inspection, adjustment and maintenance
- When replacing consumable parts such as the looper

- If the power switch needs to be left on when carrying out some adjustment, be extremely careful to observe all safety precautions.
- If any safety devices have been removed, be absolutely sure to re-install them to their original positions and check that they operate correctly before using the machine.



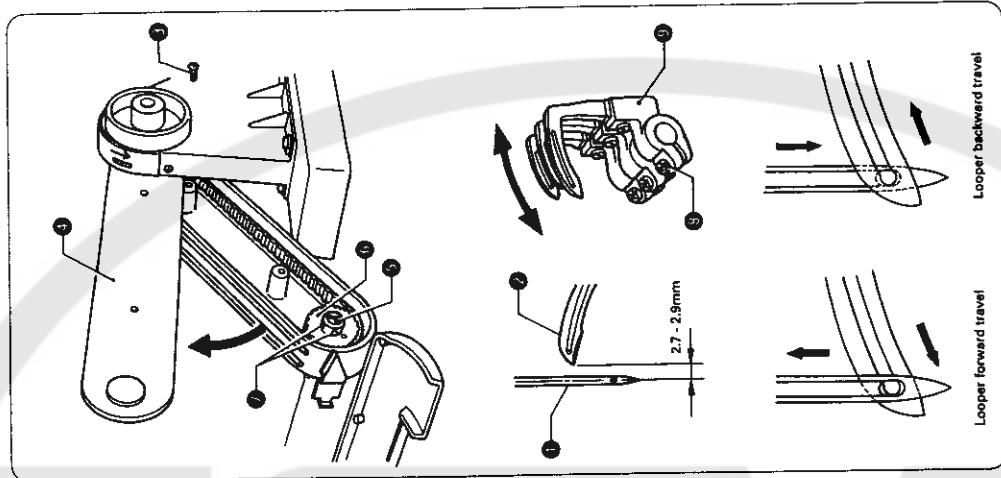
10-1. Needle bar height adjustment



Adjust the heights of the needles. At this time, adjust so that each needle is in the center of the needle hole in the needle plate.

1. Remove the screw, and then remove the presser foot.
2. Turn the machine pulley to drop the needle bar to its lowest position.
3. Remove the rubber plug, loosen the needle bar clamp screw and adjust so that the distance between the bottom of the needle clamp and the top of the needle plate is 14.8 mm.
 - If the needle clamp is set in the way described above, the distance between the points of the needles and the top of the needle plate will be 14 mm (for heavy materials and very heavy materials) when the needle clamp is raised to its highest position.
4. Remove the three screws, and then remove the needle plate.
5. Turn the machine pulley so that the needles and the needle guard are aligned, and then adjust the tilt of the needle clamp so that there is no space between the left and right needles and the needle guard at this time.
- Install the needle plate with the three screws, and after checking that the needles are in the centers of the needle holes, tighten the needle bar clamp screw.
6. Insert the rubber plug.
7. Install the presser foot with the screw.

10-2. Needle and looper timing adjustment



Make an adjustment so that, when needles are down lowest loopers reach the end of their backward travel and the distance from the needle center to the looper tip is 2.7 to 2.9 mm.

1. Remove the presser foot, needle plate and feed dogs (Refer to page 15)
2. Remove the two screws, and then open the belt cover plate.
3. Turn the pulley toward yourself until loopers reach the end of their backward travel.
4. Loosen cap screw, and then loosen two set screws on lower belt wheel.
5. Turn the pulley toward yourself until needles come down to the lowest position.
6. Tighten two set screws securely, and then tighten cap screw.
7. Loosen set screw, move looper holder in the arrow direction until the distance between the needle center and the looper tip is 2.7 to 2.9 mm, and retighten set screw securely.
8. Make sure that the looper thread eyes match the needle eyes in the forward and backward travels of the loopers.
9. Close the belt cover plate, and then tighten the two screws.
10. Install the presser foot, needle plate and feed dogs.

11. INSTALLING OPTIONAL PARTS

CAUTION

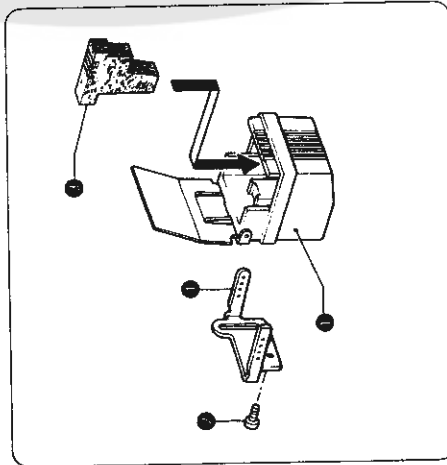
● Installation of optional parts should only be carried out by a qualified technician.

● Turn off the power switch and disconnect the power cord before installing any optional parts, otherwise the machine will operate if the treadle is pressed by mistake, which could result in injury.

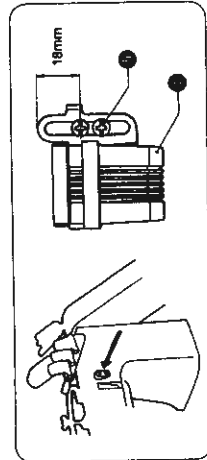
Needle thread cooler			
NAME OF PARTS	Q'TY	CODE	
● Needle thread cooler tank assy	1	S08758-009	
● Tapite, Pan P M3x10	2	575456-001	
● Felt	1	S08761-100	
● Thread guide	1	S08969-101	
● Screw, Blind SM 4.37-40x7	2	060680-712	
● Silicone oil	1	S06704-001	

The parts shown in the illustration at left are necessary when installing the needle thread cooler.

1. Install the needle thread cooler tank assembly ① to the thread guide ② with the two screws ③.
2. Insert the felt ④ into the needle thread cooler tank assembly ①.

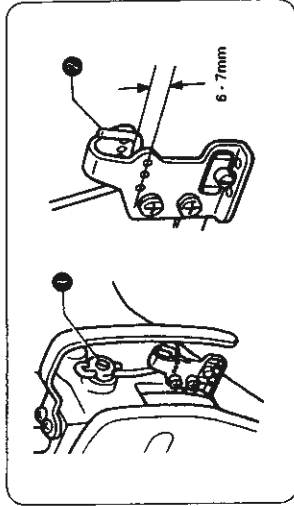


3. Install the needle thread cooler tank assembly ① to the arm with the two screws ③.



10. STANDARD ADJUSTMENTS

10-7. Upper thread take-up thread guide adjustment



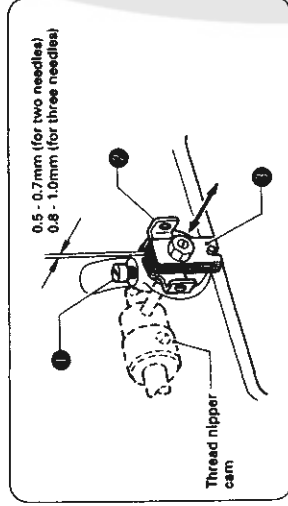
Adjust the distance between the center of the upper thread take-up and the top of the thread guide will be 6 - 7 mm.

1. Turn the pulley toward yourself until the needle bar is down at the lowest position.
2. Loosen the screw **1**, and then move the upper thread take-up thread guide **2** up or down to adjust so that the distance from the top of the upper thread take-up thread guide **3** to the center of the upper thread take-up hole is 6 - 7 mm.

* The higher the upper thread take-up thread guide **4**, the greater will be the upper thread loops.

3. Tighten the screw **1**.

10-8. Upper thread nipper adjustment

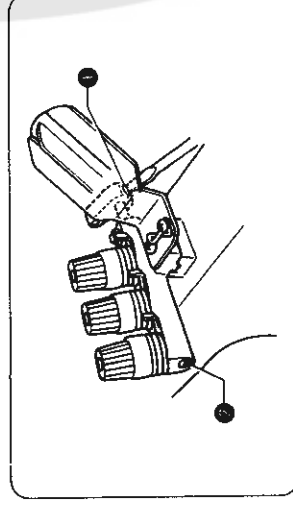


Adjust so that the maximum clearance between the upper thread tension bracket **1** and the thread tension plate **2** is 0.5 - 0.7 mm (for two needles) or 0.8 - 1.0 mm (for three needles).

Loosen the set screw **3**, and then move the upper thread tension bracket **4** in or out to adjust so that the maximum clearance between it and the thread tension plate **5** is 0.5 - 0.7 mm (for two needles) or 0.8 - 1.0 mm (for three needles).

* The thread tension will become better if the clearance between the upper thread tension bracket **6** and the thread tension plate **7** is reduced.

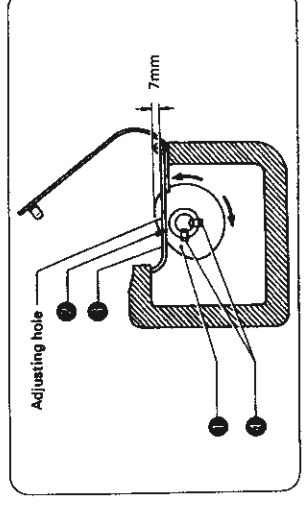
10-9. Thread release shaft adjustment



Adjust the thread release shaft so that the thread tension discs loosen when the presser foot is raised and tighten when the presser foot is lowered.

1. Loosen set screw **1**.
2. Make an adjustment by turning thread release shaft **2** so that the thread tension discs begin to loosen when the presser foot rises 4 mm above the top of the needle plate.
3. After the adjustment, retighten set screw **1** securely.

10-10. Lower thread take-up timing adjustment

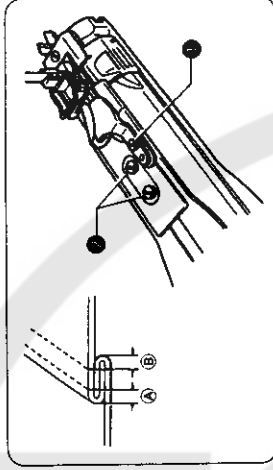


Make an adjustment so that, when the loopers begin moving backward, lower thread take-up **1** contacts thread **2**, and is 7 mm up from lower thread take-up base **3**.

1. Insert screwdriver through the adjusting hole in the lower thread take-up base, and loosen two set screws **4**.
2. Raise lower thread take-up **5** until it is 7 mm up from thread take-up base **3**.
3. After the adjustment, retighten two set screws **4** securely.

10. STANDARD ADJUSTMENTS

10-11. Installing the lapper

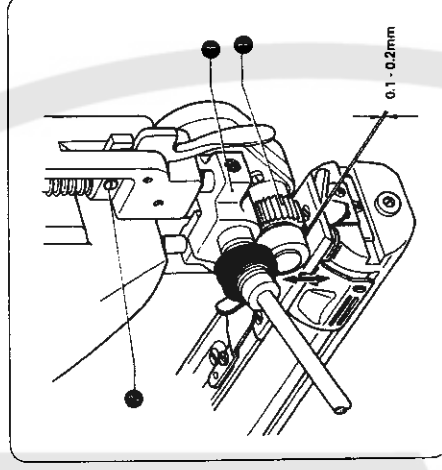


Insert the lapper guide plate from the front into the oval slot in the forward feed arm cover, making sure that the end of lapper is clear of the presser foot.

Lapper adjustment

Adjust falling distance of point **1** by loosening set screw **2**. After the adjustment, retighten set screw **2**. Adjust falling distance of point **3** by loosening set screws **4**. After the adjustment, retighten set screws **4**.

10-12. Puller height adjustment (Machines with puller)

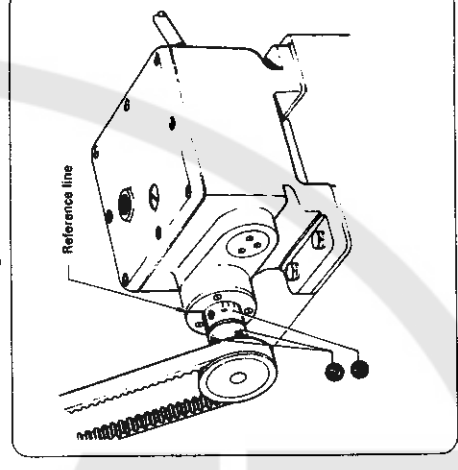


Adjust the height of puller **1** so that it is 0.1 to 0.2 mm high from the top of the needle plate.

Loosen set screw **2**, and move puller support **3** up or down until puller **1** is 0.1 to 0.2 mm above the top of the needle plate.

After the adjustment, retighten set screw **2**.

10-13. Puller timing adjustment (Machines with puller)



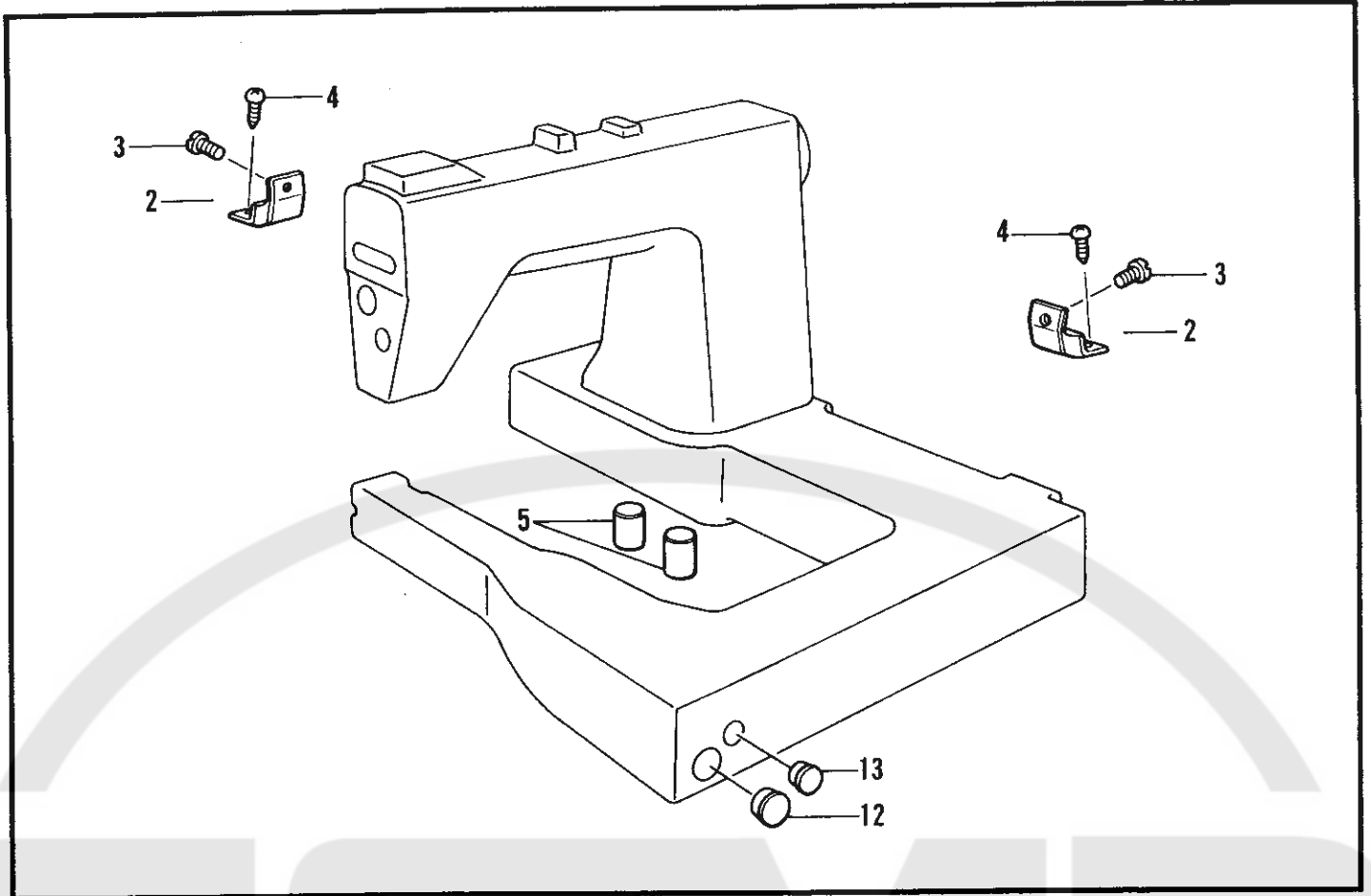
Make an adjust so that, when the needle bar is down at the lowest position, the mark on timing collar **1** is in line with the reference line.

1. Turn the pulley toward yourself until the mark on timing collar **2** meets the reference line.
2. Loosen two set screws **3** and turn the pulley toward yourself until the needle bar is lowered all the way down.
3. Retighten two set screws **3**.

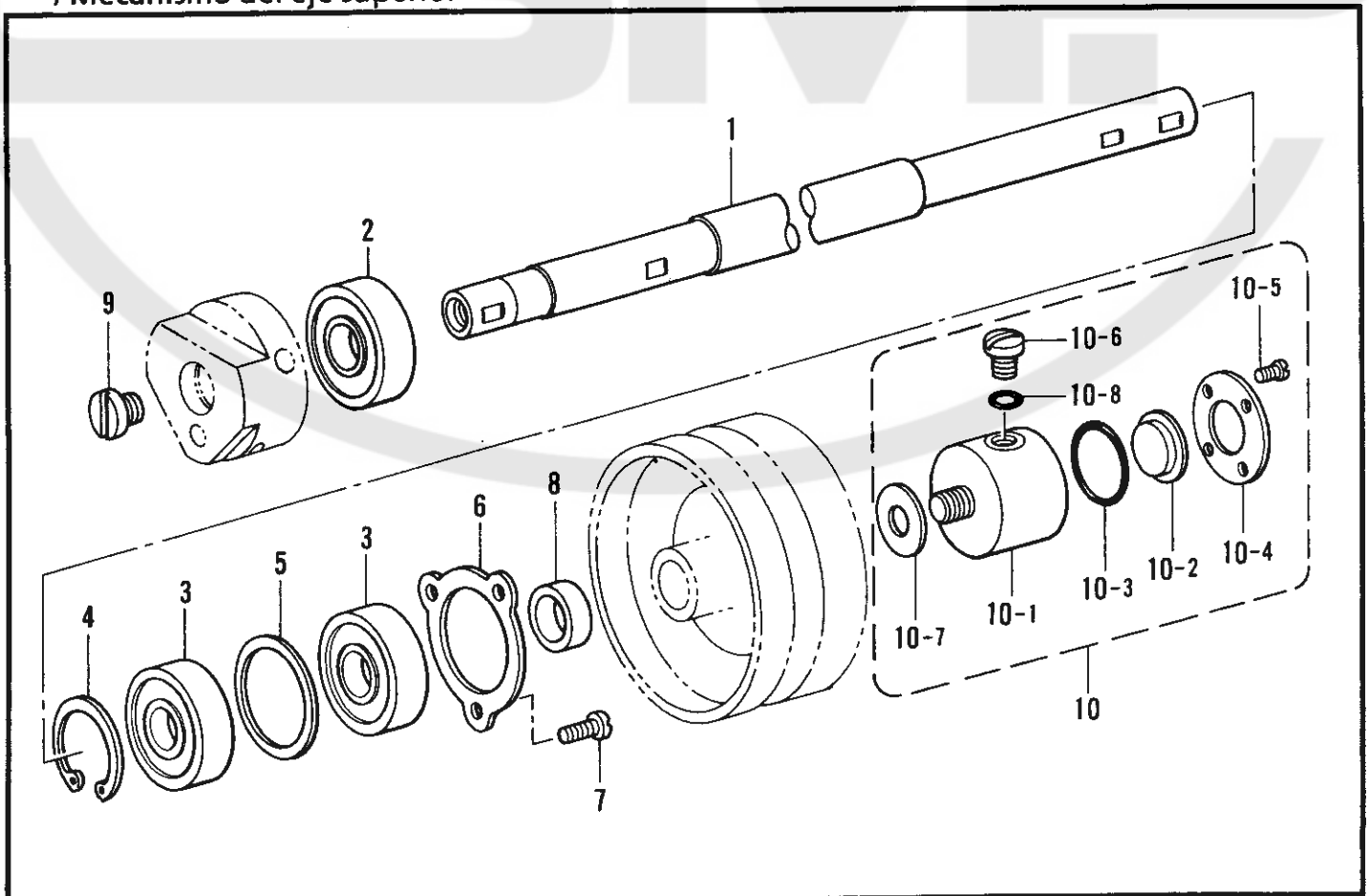
A large, light gray watermark logo is centered on the page. It features a semi-circular arc at the top and bottom, framing the text 'CSMP'. The letters are bold and stylized, with the 'S' and 'M' having unique shapes. The text '零件册' and 'PARTS BOOK' is overlaid on the 'S' and 'M' respectively.

零件册

PARTS BOOK



B. 上軸關係 / Upper shaft mechanism / Obere Welle / Mécanisme de l'arbre supérieur / Mecanismo del eje superior



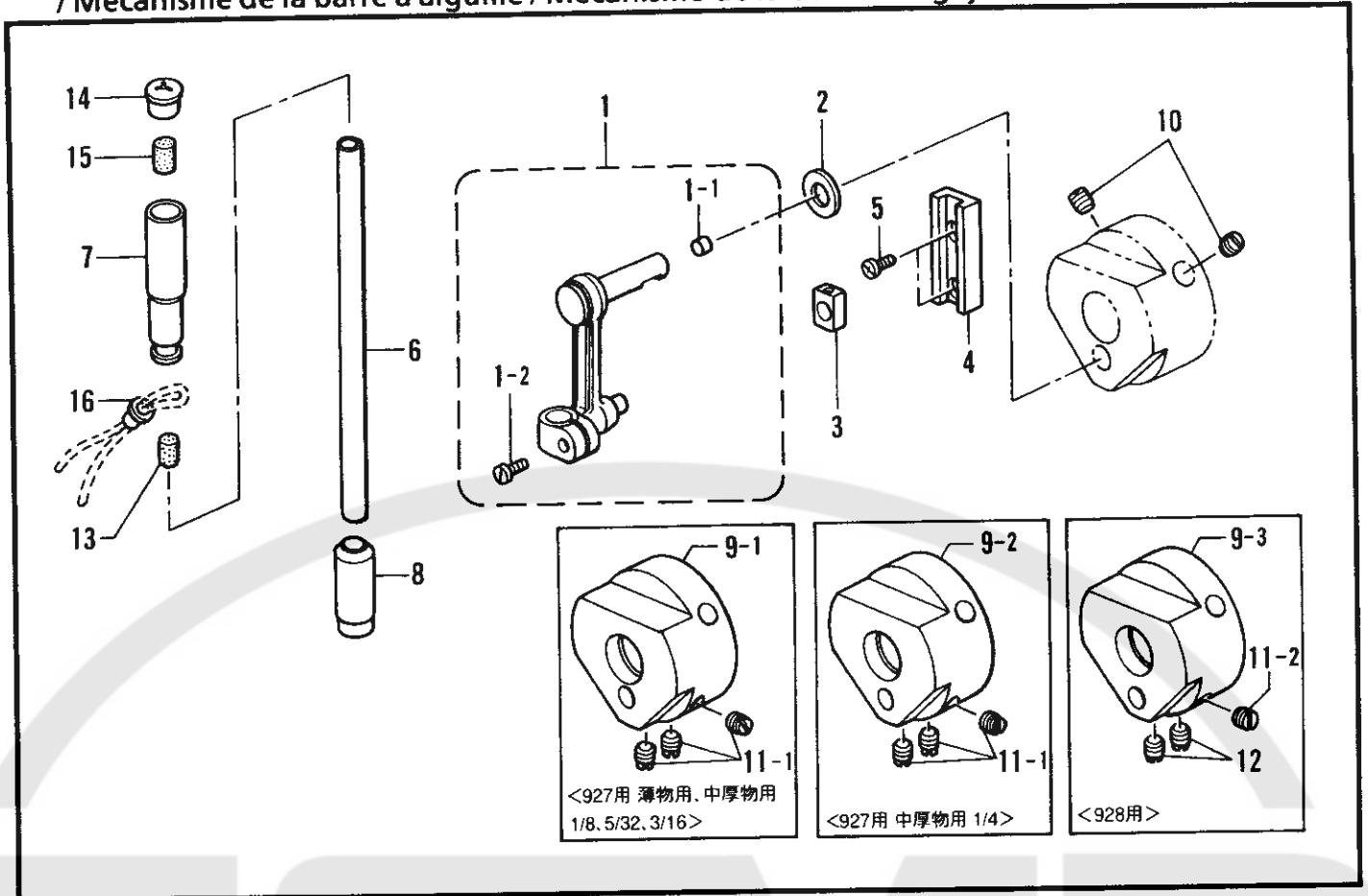
主体関係 / Machine body / Maschinengehäuse / Corps de la machine / Cuerpo de la máquina

REF.NO.	CODE	Q'TY	ヒンメイ	NAME OF PARTS	RM
2	105337001	2	クツションクミ	CUSHION ASSY	
3	105146001	2	シメネジ6.35	SCREW, SM6.35	
4	0B0622502	2	+マルモク62X25	WOOD SCREW, ROUND M6.2X25	
5	105341051	2	ボウクツション	BASE CUSHION	
12	150697001	1	オイルポットマド	OIL GAUGE WINDOW	
13	104449009	1	ゴムセン15.5	RUBBER CAP, 15.5	

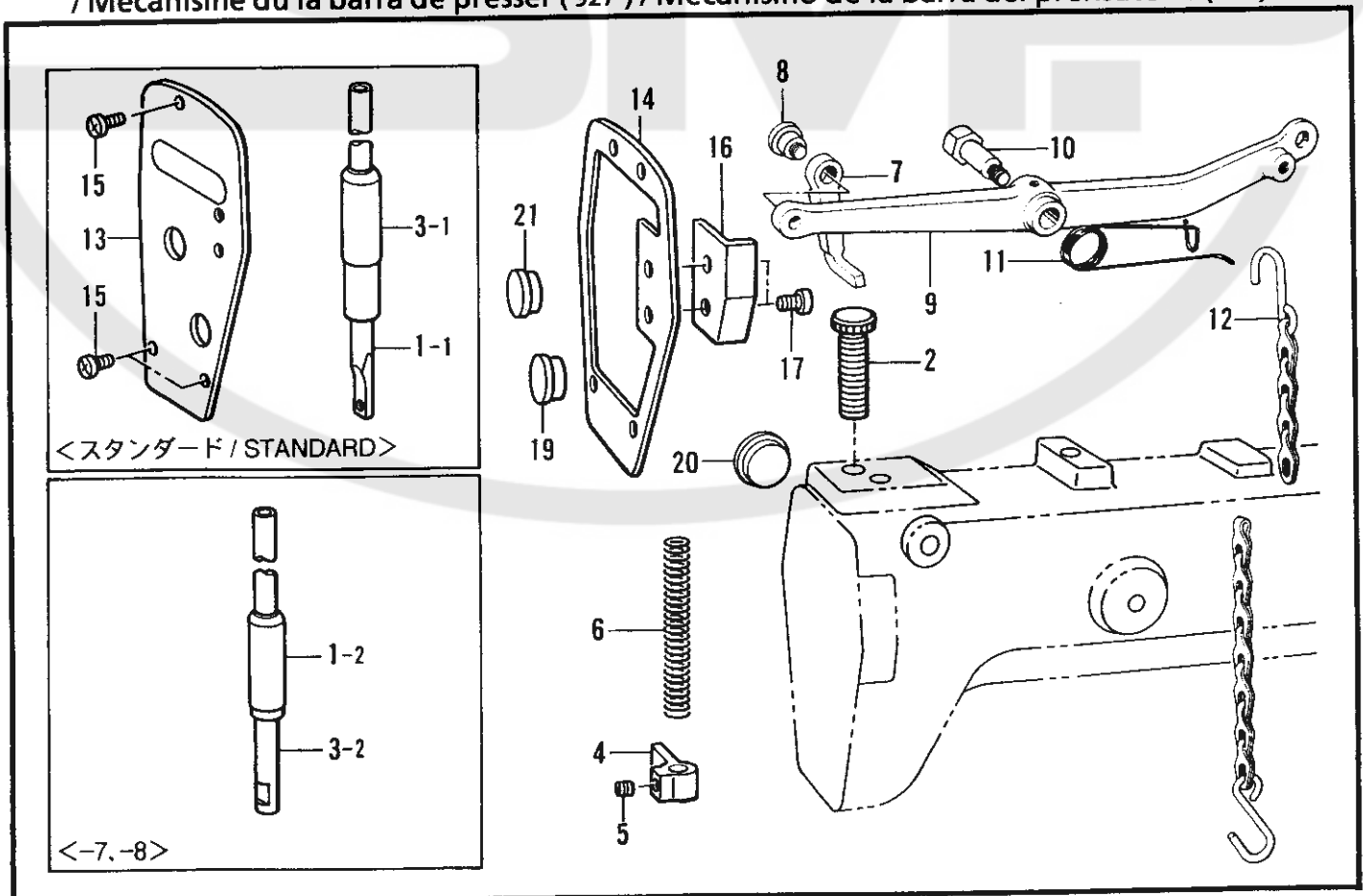
B. 上軸関係 / Upper shaft mechanism / Obere Welle / Mécanisme de l'arbre supérieur
/ Mecanismo del eje superior

REF.NO.	CODE	Q'TY	ヒンメイ	NAME OF PARTS	RM
1	S40314001	1	ウワジク	UPPER SHAFT	
2	076302850	1	タマジクウケ6302ZZ	BALL BEARING, 6302ZZ	
3	072630260	2	ベアリング6302VV	BALL BEARING, 6302VV	
4	048420242	1	トメワアナヨウC42	RETAINING RING, C42	
5	S40315051	1	ベアリングスペーサ	BEARING SPACER	
6	S40316051	1	ベアリングオサエ	BEARING PRESSER	
7	062711012	3	ナベコ476-32X10	SCREW, PAN SM4.76-32X10	
8	S40318051	1	ウワジクカラー	UPPER SHAFT COLLAR	
9	S40317001	1	シメネジ9.52	SCREW, SM9.52	
10	S40812001	1	オイルタンククミ	OIL TANK ASSY	
10-1	S40383001	1	オイルタンク	OIL TANK	
10-2	104547001	1	ユリヨウケイマド	OIL GAUGE WINDOW	
10-3	081014670	1	OリングPW14	O RING, PW14	
10-4	151074009	1	ユリヨウケイフタ	OIL GAUGE COVER	
10-5	100257010	4	シメネジ3.57	SCREW, SM3.57	
10-6	111193001	1	オイルクチフタ	OIL FEEDING PIPE CAP	
10-7	105071001	1	オイルタンクパツキン	OIL TANK PACKING	
10-8	111194001	1	Oリング	O RING	

針棒関係 / Needle bar mechanism / Nadelstangenvorrichtung
 / Mécanisme de la barre à aiguille / Mecanismo de la barra de aguja



D1. 押工棒関係 (927) / Presser bar mechanism (927) / Stoffdrückerstange (927)
 / Mécanisme de la barra de presser (927) / Mecanismo de la barra del prensatelas (927)



C. 針棒関係 / Needle bar mechanism / Nadelstangenvorrichtung
/ Mécanisme de la barre à aiguille / Mecanismo de la barra de aguja

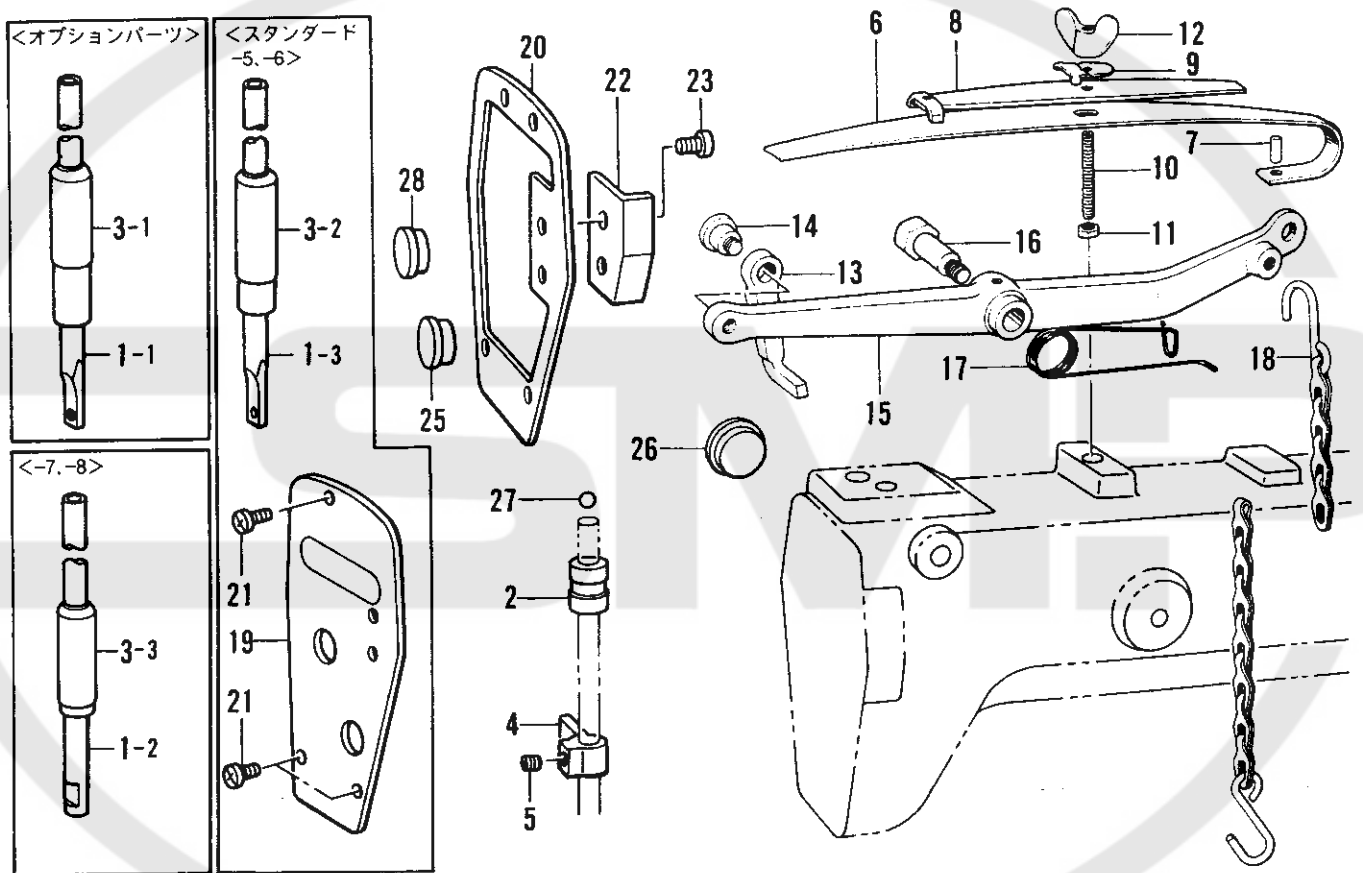
REF.NO.	CODE	Q'TY	ヒンメイ	NAME OF PARTS	RM
1	S40268001	1	ハリボウレンカクミ	THREAD TAKE-UP LEVER ASSY	
1-1	142274009	1	ゴムセン4.2	RUBBER CAP, 4.2	
1-2	140004001	1	シメネジ3.57	SCREW, SM3.57	
2	107153001	1	ザガネ	WASHER	
3	102630001	1	ハリボウアンナイカクコマ	NEEDLE BAR GUIDE SLIDE BLOCK	
4	145688000	1	ハリボウアンナイ	NEEDLE BAR GUIDE	
5	062670612	2	ナベコ357-40X6	SCREW, PAN SM3.57-40X6	
6	113605051	1	ハリボウ	NEEDLE BAR	
7	S18874001	1	ハリボウメタルU	NEEDLE BAR BUSH, U	
8	111024101	1	ハリボウメタルD	NEEDLE BAR BUSH, D	
10	014771022	2	アナトメネジ6.35クボミ	SET SCREW, SOCKET (CP) SM6.35	
13	111863001	1	ハリボウセン	NEEDLE BAR CORK	
14	140890009	1	オイルカツブ	OIL CAP	
15	151927001	1	クラッチフェルト	CLUTCH FELT	
16	109993001	1	ハトメ	WICK NIPPER	

9-1	S40271051	1	<927薄物・中厚物用 1/8, 5/32, 3/16> テンピンクランクM	<For 927 Thin & Medium materials "1/8, 5/32, 3/16"> THREAD TAKE-UP CRANK, M	
11-1	100251001	3	トメネジ6.35	SET SCREW, SM6.35	
9-2	S40272051	1	<927中厚物用 1/4> テンピンクランクMH	<For 927 Medium materials "1/4"> THREAD TAKE-UP CRANK, MH	
11-1	100251001	3	トメネジ6.35	SET SCREW, SM6.35	
9-3	S40273051	1	<928用> テンピンクランクH	<FOR 928> THREAD TAKE-UP CRANK, H	
11-2	100251001	1	トメネジ6.35	SET SCREW, SM6.35	
12	123006001	2	トメネジ6.35クボミ	SET SCREW, (CP) SM6.35	

D1. 押工棒関係 (927) / Presser bar mechanism (927) / Stoffdrückerstange (927)
/ Mécanisme du la barra de presser (927) / Mecanismo de la barra del prensatelas (927)

REF.NO.	CODE	Q'TY	ヒンメイ	NAME OF PARTS	RM
2	S40299001	1	オサエチヨウセツネジ	ADJUST SCREW	
4	S40798050	1	オサエボウダキ	PRESSER BAR CLAMP	
5	014760622	1	アナトメネジ5.95	SET SCREW, SOCKET SM5.95	
6	S40298051	1	オサエバネ	SPRING	
7	105103001	1	オサエボウアゲ	PRESSER BAR LIFTER	
8	105104001	1	ダンネジ5.95	SHOULDER SCREW, SM5.95	
9	105105009	1	ヒザアゲテコ	KNEE LIFTER LEVER	
10	102921002	1	ダンネジ7.94	SHOULDER SCREW, SM7.94	
11	105106001	1	ヒザアゲネジリバネ	TWIST SPRING	
12	105333001	1	クサリアクミ	PRESSER FOOT LIFTER CHAIN ASSY	
14	S40301001	1	メンイタバツキン	PACKING	
16	S40279001	1	ソクメンイタ	FRONT LID	
17	062680512	2	ナベコ437-40X5	SCREW, PAN SM4.37-40X5	
19	117934009	1	ゴムセン13.5	RUBBER CAP, 13.5	
20	159150009	1	ゴムセン20.5	RUBBER CAP, 20.5	
21	159150009	1	ゴムセン20.5	RUBBER CAP, 20.5	

1-1	S06259001	1	<スタンダード用> オサエボウ	<FOR STANDARD> PRESSER BAR	
3-1	111025001	1	オサエボウメタルD	PRESSER BAR BUSH, D	
13	S40300001	1	メンイタ	FACE PLATE	
15	062681012	3	ナベコ437-40X10	SCREW, PAN SM4.37-40X10	
1-2	S06261001	1	<-7, -8用> オサエボウ	<FOR "-7, -8"> PRESSER BAR	
3-2	150665001	1	オサエボウメタルD	PRESSER BAR BUSH, D	



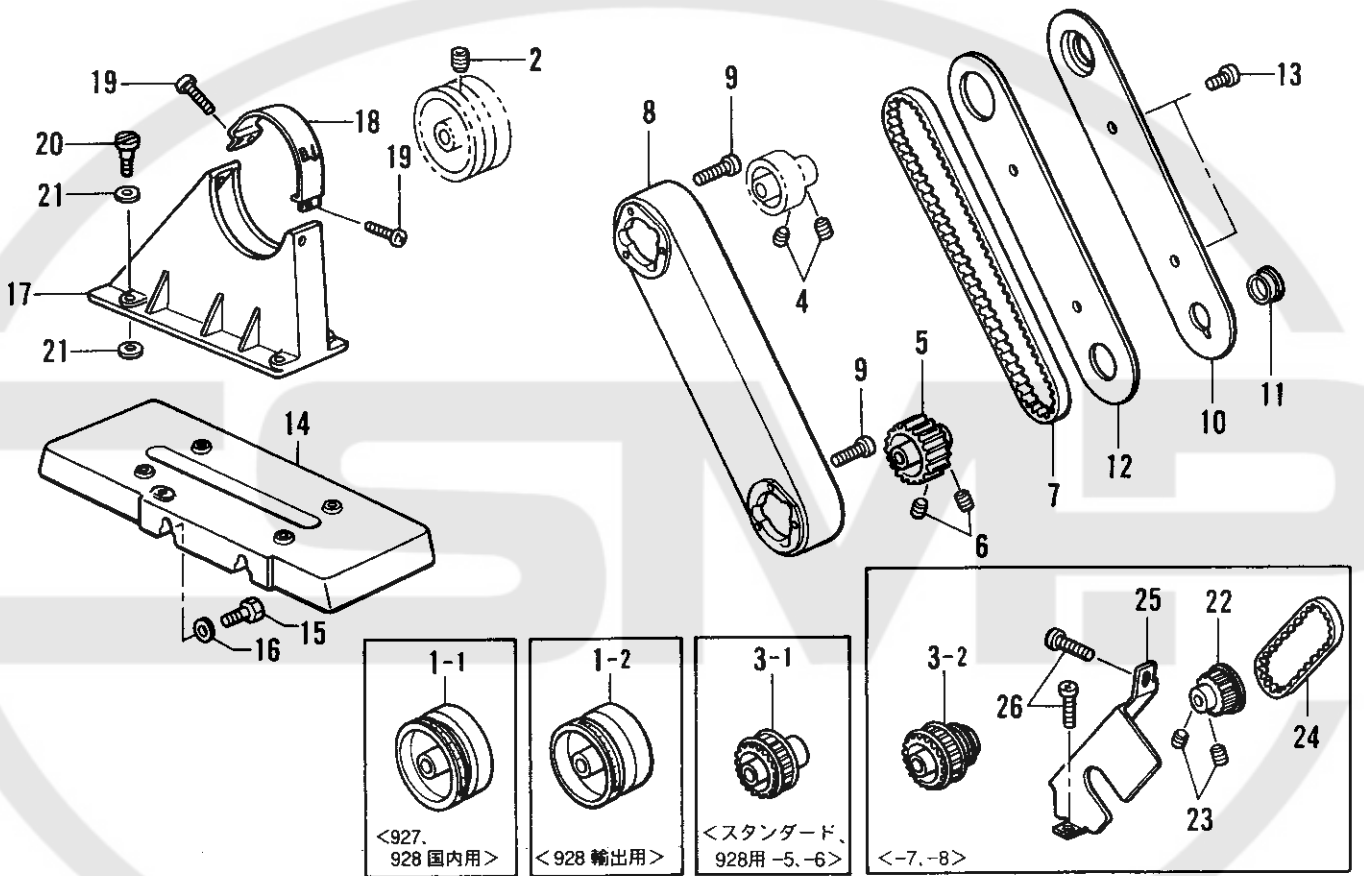
押工棒関係 (928) / Presser bar mechanism (928) / Stoffdrückerstange (928)
 / Mécanisme du la barra de presser (928) / Mecanismo de la barra del prensatelas (928)

REF.NO.	CODE	Q'TY	ヒンメイ	NAME OF PARTS	RM
2	105091001	1	オサエボウメタルU	PRESSER BAR BUSH, U	
4	S40798050	1	オサエボウダキ	PRESSER BAR CLAMP	
5	014760622	1	アナトメネジ5.95	SET SCREW, SOCKET SM5.95	
6	105094009	1	オサエイタバネ	PRESSER PLATE SPRING	
7	105095001	1	オサエイタバネピン	PIN	
8	105096009	1	カサネイタバネクミ	PLATE SPRING ASSY	
9	105100001	1	カサネイタバネトメザガネ	WASHER	
10	148006001	1	オサエチヨウセツネジ	ADJUST SCREW	
11	021710212	1	ナツト2シユ4.76	NUT, 2 SM4.76	
12	148007051	1	チヨウナツト4.76	WING NUT, SM4.76	
13	105103001	1	オサエボウアゲ	PRESSER BAR LIFTER	
14	105104001	1	ダンネジ5.95	SHOULDER SCREW, SM5.95	
15	105105009	1	ヒザアゲテコ	KNEE LIFTER LEVER	
16	102921002	1	ダンネジ7.94	SHOULDER SCREW, SM7.94	
17	105106001	1	ヒザアゲネジリバネ	TWIST SPRING	
18	105333001	1	クサリアクミ	PRESSER FOOT LIFTER CHAIN ASSY	
20	S40301001	1	メンイタバツキン	PACKING	
22	S40279001	1	ソクメンイタ	FRONT LID	
23	062680512	2	ナベコ437-40X5	SCREW, PAN SM4.37-40X5	
25	117934009	1	ゴムセン13.5	RUBBER CAP, 13.5	
26	159150009	1	ゴムセン20.5	RUBBER CAP, 20.5	
27	071063550	1	コウキユウ1/4	BEARING BALL, 1/4	
28	159150009	1	ゴムセン20.5	RUBBER CAP, 20.5	

1-3	S06260001	1	オサエボウ	PRESSER BAR	
3-2	147865001	1	オサエボウメタルD	PRESSER BAR BUSH, D	
19	S40300001	1	メンイタ	FACE PLATE	
21	062681012	3	ナベコ437-40X10	SCREW, PAN SM4.37-40X10	

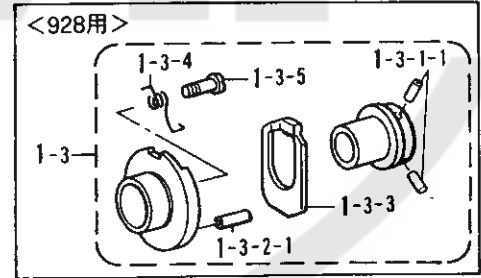
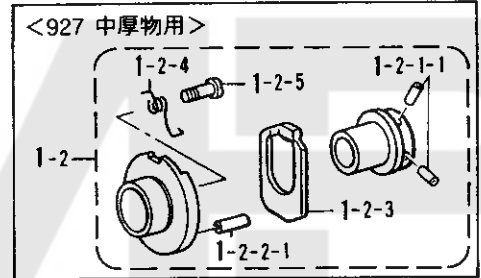
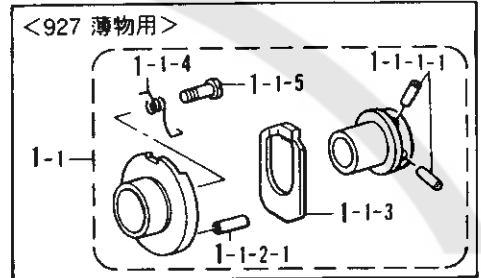
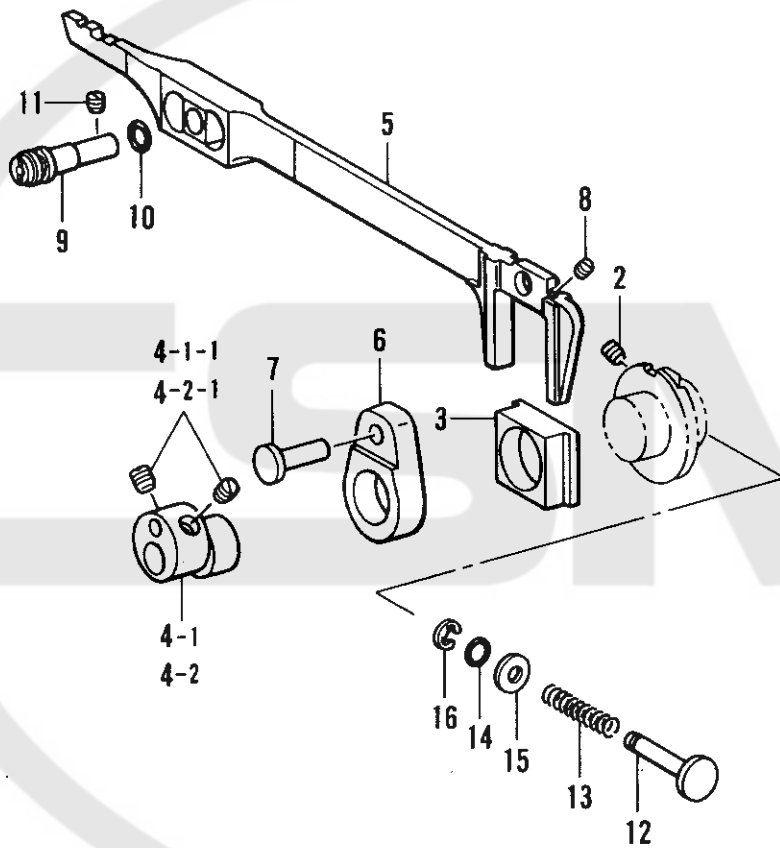
1-2	S06261001	1	オサエボウ	PRESSER BAR	
3-3	150665001	1	オサエボウメタルD	PRESSER BAR BUSH, D	

1-1	S06259001	1	オサエボウ	PRESSER BAR	
3-1	111025001	1	オサエボウメタルD	PRESSER BAR BUSH, D	



プーリ関係 / Pulley mechanism / Gürtelradmechanismus / Poulie / Polea

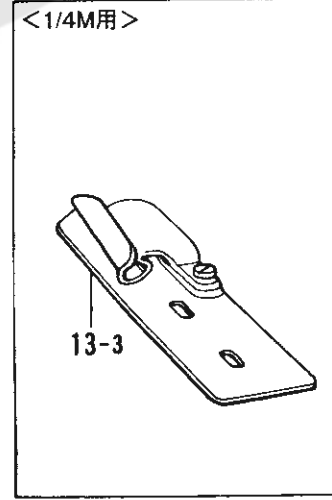
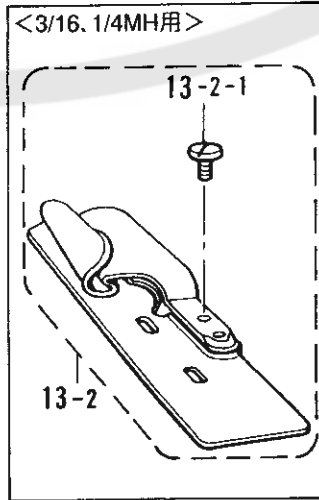
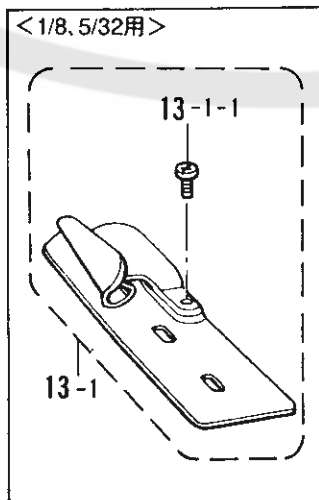
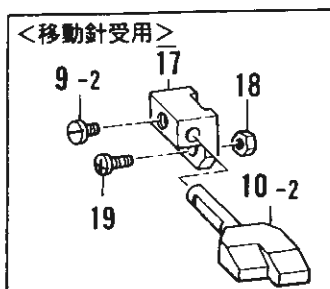
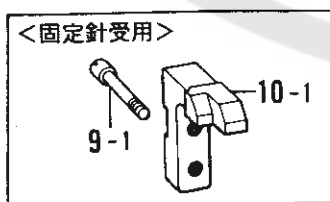
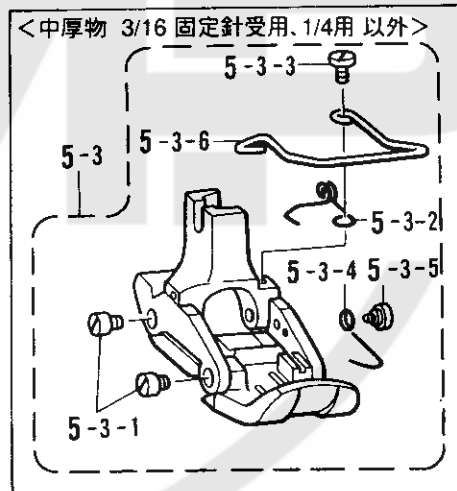
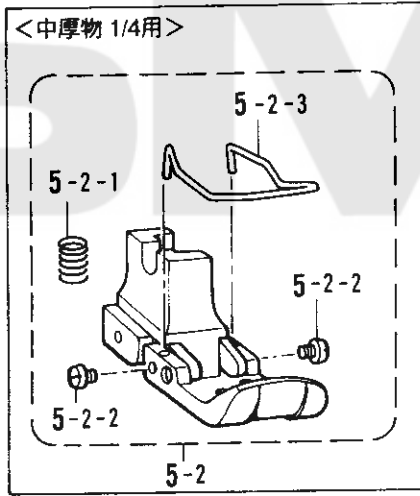
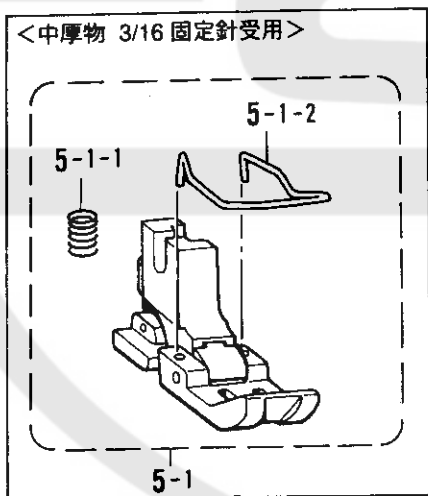
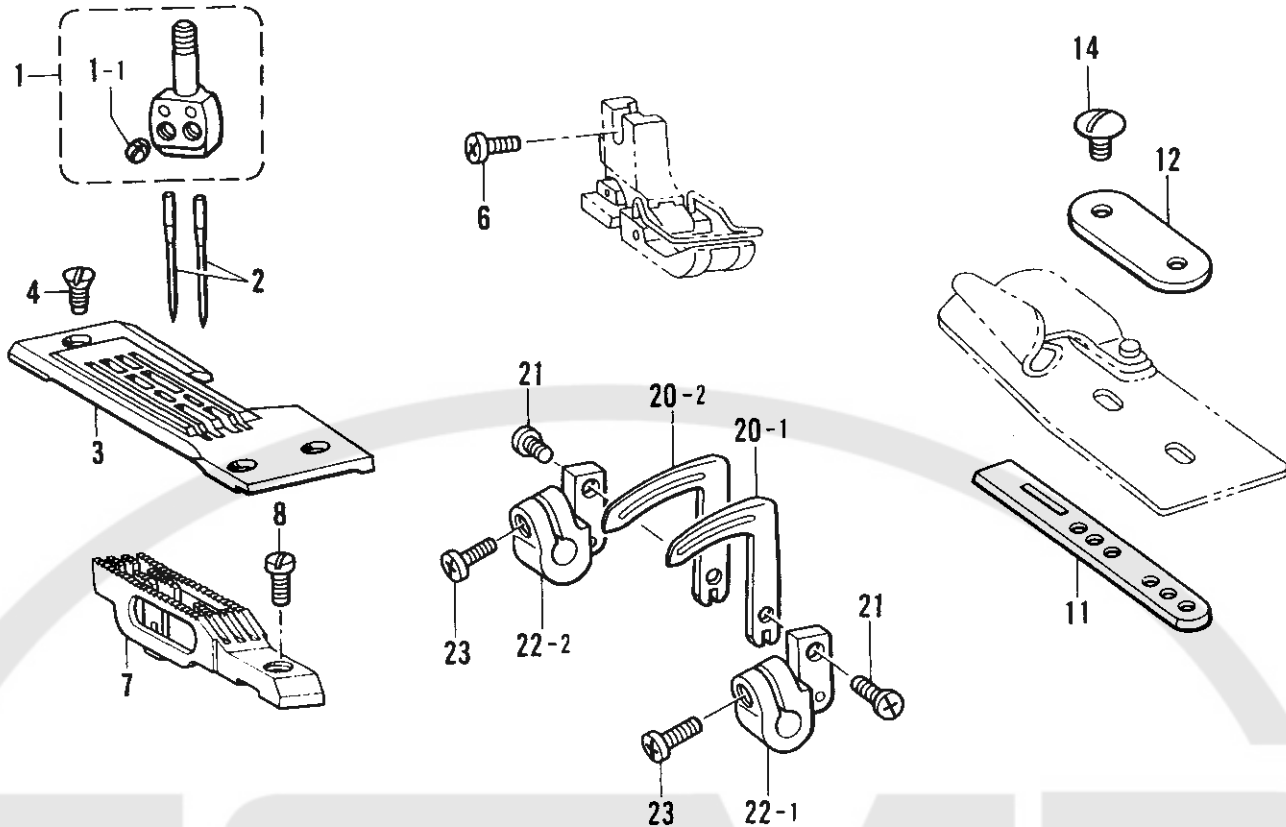
REF.NO.	CODE	Q'TY	ヒンメイ	NAME OF PARTS	RM
2	014781032	2	アナクボミ 635-28X10	SET SCREW, SOCKET (CP) SM6.35	
4	014770622	2	アナトメネジ 6.35クボミ	SET SCREW, SOCKET (CP) SM6.35	
5	S40818001	1	シタベルトクルマ	TIMING BELT WHEEL ASSY, LOWER	
6	014770622	2	アナトメネジ 6.35クボミ	SET SCREW, SOCKET (CP) SM6.35	
7	S40819000	1	タイミングベルト	TIMING BELT	
8	S40258001	1	ベルトカバー	BELT COVER	
9	062711612	6	ナベコ 476-32X16	SCREW, PAN SM4.76-32X16	
10	S40259001	1	ベルトカバーフタ	BELT COVER PLATE	
11	116577051	1	カマジクフタ	ROTARY HOOK SHAFT COVER	
12	105141001	1	ベルトカバーフタバツキン	PACKING	
13	062710812	2	ナベコ 476-32X8	SCREW, PAN SM4.76-32X8	
14	S40796001	1	プーリカバーダイ	PULLEY COVER BASE	
15	105144001	2	ボルト 11.11	BOLT, SM11.11	
16	142627001	2	ザガネ	WASHER	
17	S40261001	1	プーリカバー-A	PULLEY COVER, A	
18	S40262001	1	プーリカバー-B	PULLEY COVER, B	
19	062680712	3	ナベコ 437-40X7	SCREW, PAN SM4.37-40X7	
20	155558001	4	ダンネジ 6.35	STUD SCREW, SM6.35	
21	S40797000	8	プーリカバーシート	PULLEY COVER SHEET	
1-1	S40280001	1	< 927用, 928国内用 > プーリMクミ	< FOR 927 & 928 Japan > PULLEY ASSY, M	
1-2	S40281001	1	< 928輸出用 > プーリHクミ	< FOR 928 EXPORT > PULLEY ASSY, H	
3-1	S40265001	1	< スタンダード, 928-5, -6用 > ウエベルトクルマクミ	< FOR STANDARD, 928-5 & -6 > TIMING BELT WHEEL ASSY, UPPER	
3-2	S41312001	1	< -7, -8用 > プーラウエベルトクルマクミ	< FOR "-7, -8" > PULLER TIMING BELT WH. ASSY, U	
22	150659001	1	タイミングプーリBクミ	TIMING PULLEY ASSY, B	
23	014760622	2	アナトメネジ 5.95	SET SCREW, SOCKET SM5.95	
24	150661001	1	プーラタイミングベルトA	PULLER TIMING BELT, A	
25	S40264001	1	プーラベルトカバー	PULLEY BELT COVER	
26	062680812	2	ナベコ 437-40X8	SCREW, PAN SM4.37-40X8	



送り関係 / Feed mechanism / Transportvorrichtung / Mécanisme de l'entraînement /
Mecanismo de la alimentación

REF.NO.	CODE	Q'TY	ヒンメイ	NAME OF PARTS	RM
1-1	S40274001	1	<927薄物用> ヘンシンリンクミM	<FOR 927 "THIN MATERIALS"> ECCENTRIC WHEEL ASSY, M	
1-1-1-1	047301242	2	スプリングピンAW3	PIN, SPRING AW3	
1-1-2-1	047301242	1	スプリングピンAW3	PIN, SPRING AW3	
1-1-3	S38309001	1	ラチエツトストツバ	RACHTER STOPPER	
1-1-4	S39585001	1	ラチエツトトメネジリバネ	TWIST SPRING	
1-1-5	S39586001	1	バネトメネジ3	SCREW, M3	
1-2	S40274002	1	<927中厚物用> ヘンシンリンクミM	<FOR 927 "MEDIUM MATERIALS"> ECCENTRIC WHEEL ASSY, M	
1-2-1-1	047301242	2	スプリングピンAW3	PIN, SPRING AW3	
1-2-2-1	047301242	1	スプリングピンAW3	PIN, SPRING AW3	
1-2-3	S38309001	1	ラチエツトストツバ	RACHTER STOPPER	
1-2-4	S39585001	1	ラチエツトトメネジリバネ	TWIST SPRING	
1-2-5	S39586001	1	バネトメネジ3	SCREW, M3	
1-3	S40291001	1	<928用> ヘンシンリンクミH	<FOR 928> ECCENTRIC WHEEL ASSY, H	
1-3-1-1	047301242	2	スプリングピンAW3	PIN, SPRING AW3	
1-3-2-1	047301242	1	スプリングピンAW3	PIN, SPRING AW3	
1-3-3	S38309001	1	ラチエツトストツバ	RACHTER STOPPER	
1-3-4	S39585001	1	ラチエツトトメネジリバネ	TWIST SPRING	
1-3-5	S39586001	1	バネトメネジ3	SCREW, M3	
4-1	183949001	1	<927用> ヘンシンリンネジツキM	<FOR 927> ECCENTRIC WHEEL WITH SCREW, M	
4-1-1	014770622	2	アナトメネジ6.35クボミ	SET SCREW, SOCKET (CP) SM6.35	
4-2	183950001	1	<928用> ヘンシンリンネジツキH	<FOR 928> ECCENTRIC WHEEL WITH SCREW, H	
4-2-1	014770622	2	アナトメネジ6.35クボミ	SET SCREW, SOCKET (CP) SM6.35	
2	012060632	2	アナヒラ6X6	SET SCREW, SOCKET (FT) M6X6	
3	S40282000	1	ヘンシンリンスリーブ	ECCENTRIC WHEEL SLEEVE	
5	S40285001	1	オクリダイカクコマクミ	FEED BAR SLIDE BLOCK ASSY	
6	S40288000	1	ジヨウゲオクリレンカン	FEED LIFTING CONNECTING SHAFT	
7	S40289051	1	ジヨウゲオクリジク	FEED LIFTING ROCK SHAFT	
8	014760622	1	アナトメネジ5.95	SET SCREW, SOCKET SM5.95	
9	S41311051	1	オクリダイヘンシンジク	FEED BAR ECCENTRIC SHAFT	
10	081006070	1	OリングP6	O RING, P6	
11	014761030	1	アナクボミ595-28X10	SET SCREW, SOCKET (CP) SM5.95	
12	S40290051	1	プツシュボタン	PUSH BUTTON	
13	S40800001	1	ボタンジクバネ	SPRING	
14	081005070	1	OリングP5	O RING, P5	
15	025710132	1	ヒラザガネシヨウ4.76	WASHER, PLAIN S 4.76	
16	048040342	1	トメワE4	RETAINING RING, E4	

ゲージ関係 (927スタンダード) / Gauge parts (927 Standard) / Lehren (927 Norm)
 / Pièces du jauge (927 Standard) / Piezas de calibradores (927 Norma)



ゲージ関係 (927スタンダード) / Gauge parts (927 Standard) / Lehren (927 Norm)
 / Pièces du jauge (927 Standard) / Piezas de calibradores (927 Norma)

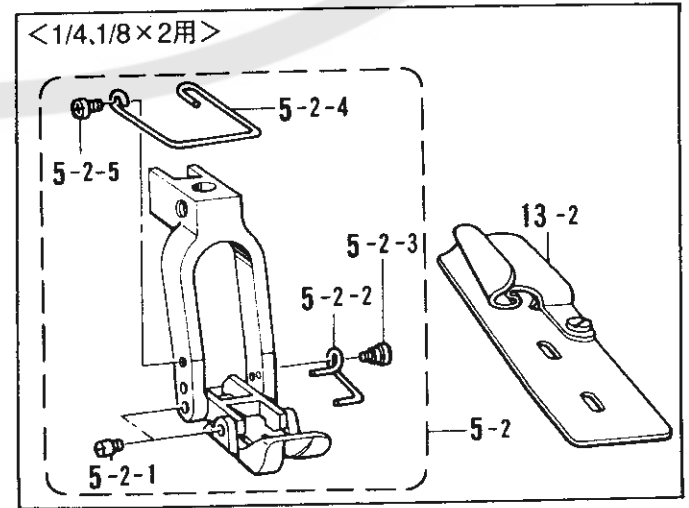
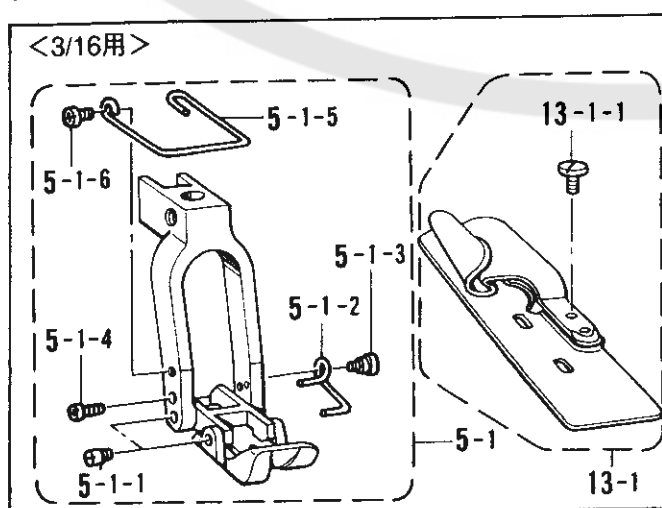
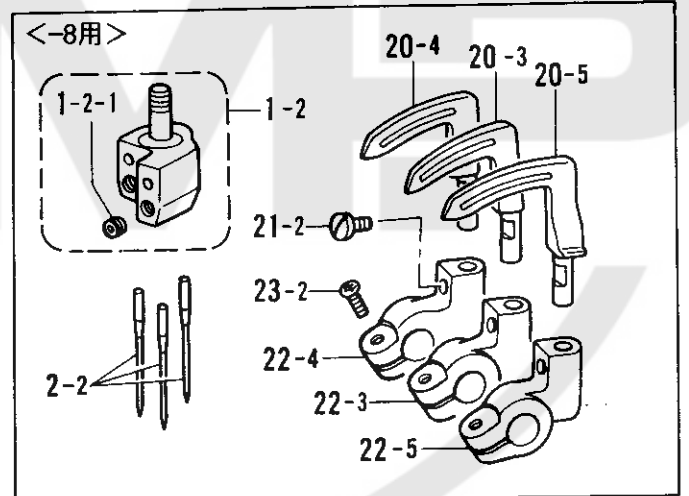
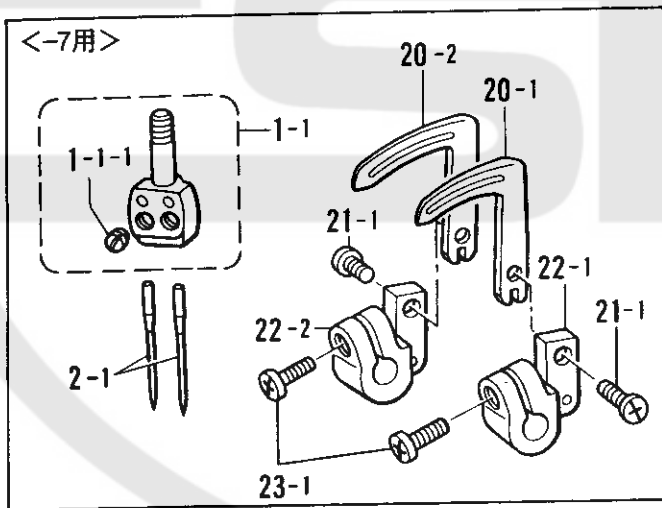
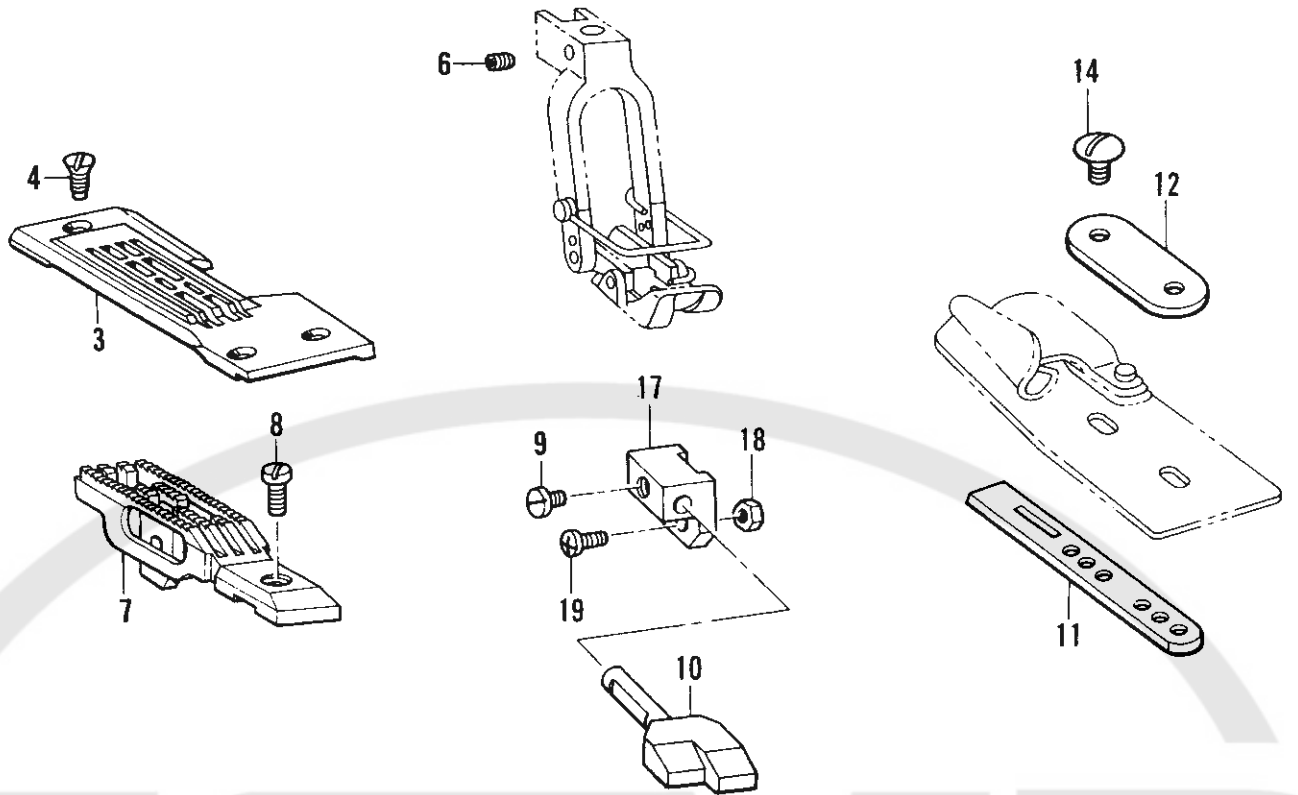
REF.NO.	CODE	Q'TY	ヒンメイ	NAME OF PARTS	RM
1	※	1	ハリダキネジツキ	NEEDLE CALMP ASSY W/S	
1-1	103408002	2	トメネジ4.37	SET SCREW, SM4.37	
2	※	2	ミシンハリ	NEEDLE	
3	※	1	ハリイタ	NEEDLE PLATE	
4	100032004	3	サラネジ4.37	SCREW, FLAT SM4.37	
6	060670812	1	バインド357-40X8	SCREW, BIND SM3.57-40X8	
7	※	1	オクリバ	FEED DOG	
8	105173004	1	シメネジ4.76	SCREW, SM4.76	
11	S40399001	1	ラツパーアンナイイタ	LAPPER GUIDE PLATE	
12	105129001	1	アンナイイタザガネ	LAPPER GUIDE PLATE WASHER	
14	105130001	2	シメネジ3.57	SCREW, SM3.57	
20-1	※	1	ルーパス	LOPPER, S	
20-2	※	1	ルーパL	LOPPER, L	
21	062680612	2	ナベコ4.37-40X6	SCREW, PAN SM4.37-40X6	
22-1	S06315001	1	ルーパホルダS	LOOPER HOLDER, S	
22-2	S06314001	1	ルーパホルダL	LOOPER HOLDER, L	
23	062681012	2	ナベコ437-40X10	SCREW, PAN SM4.37-40X10	

5-1	101491101	1	<中厚物3/16固定針受用> オサエ3/16クミ	< For medium materials 3/16" Fix needle support > PRESSER FOOT ASSY, 3/16"	
5-1-1	105118000	1	オシバネ	SPRING	
5-1-2	156792001	1	フィンガーガード	FINGER GUARD	
5-2	106160101	1	<中厚物1/4用> オサエ1/4Hクミ	< For medium materials 1/4" > PRESSER FOOT ASSY, 1/4" H	
5-2-1	105118000	1	オシバネ	SPRING	
5-2-2	111140001	2	シメネジ2.38	SCREW, SM2.38	
5-2-3	156792001	1	フィンガーガード	FINGER GUARD	
5-3	※	1	<中厚物3/16固定針受, 1/4以外用> オサエクミ	< For without medium materials 3/16, 1/4 > PRESSER FOOT ASSY	
5-3-1	147871001	4	オサエピン	PIN	
5-3-2	S40358001	1	オサエMバネ	SPRING	
5-3-3	111105002	1	シメネジ2.38	SCREW, SM2.38	
5-3-4	S40360001	1	オサエFバネ	SPRING	
5-3-5	147932001	1	ダンネジ2.38	SHOULDER SCREW, SM2.38	
5-3-6	S40374001	1	フィンガーガード	FINGER GUARD	

9-1	105303001	1	<固定針受用> シメネジ3.57	< FOR FIXED NEEDLE GUARD > SCREW, SM3.57	
10-1	※	1	ルーバイトアンナイウデ	LOOPER THREAD GUIDE ARM	
9-2	111443003	1	<移動針受用> マルヒラトメネジ3.57	< FOR MOVEABLE NEEDLE GUARD > SET SCREW, SM3.57	
10-2	※	1	ハリウケ	NEEDLE GUARD	
17	148876001	1	ハリウケトリツケダイ	NEEDLE GUARD BRACKET	
18	021670102	1	ナツト1シユ3.57	NUT, 1 SM3.57	
19	062671012	1	ナベコ357-40X10	SCREW, PAN SM3.57-40X10	

13-1	※	1	<1/8, 5/32用> ラツパークミ	< FOR "1/8, 5/32" > LAPPER ASSY	
13-1-1	062670412	1	ナベコ357-40X4	SCREW, PAN SM3.57-40X4	
13-2	※	1	<3/16, 1/4MH用> ラツパークミ	< FOR "3/16, 1/4MH" > LAPPER ASSY	
13-2-1	105130001	1	シメネジ3.57	SCREW, SM3.57	
13-3	S09679001	1	<1/4M用> ラツパー1/4Mクミ	< FOR "1/4M" > LAPPER ASSY, 1/4" M	

ゲージ関係 (927) / Gauge parts (927) / Lehren (927)
 / Pièces du jauge (927) / Piezas de calibradores (927)

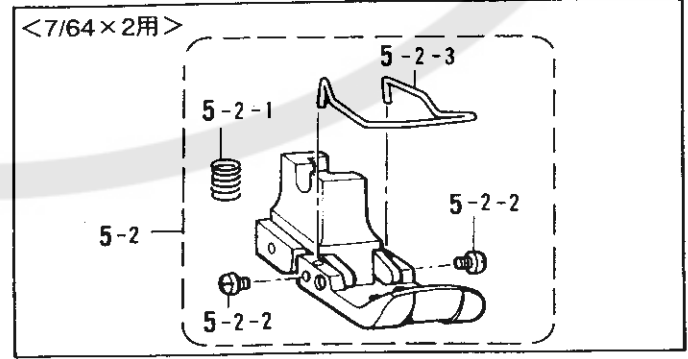
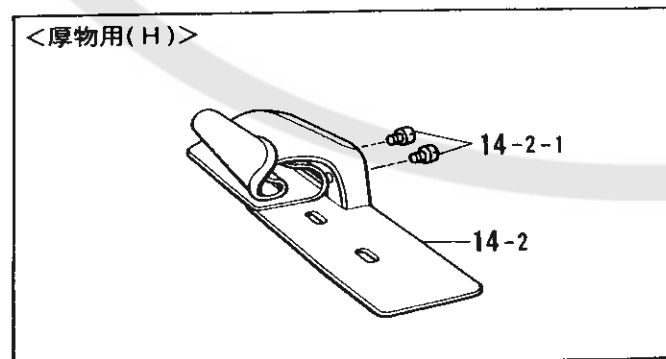
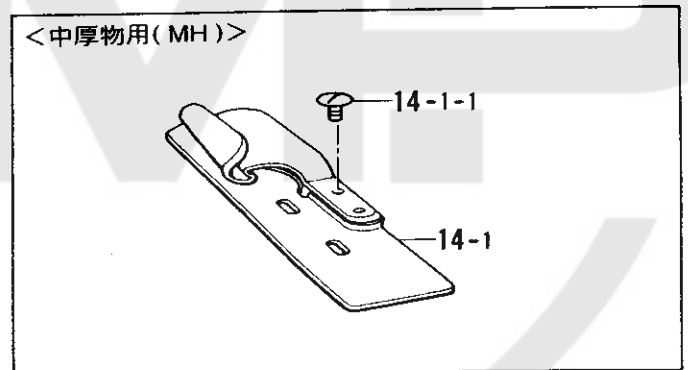
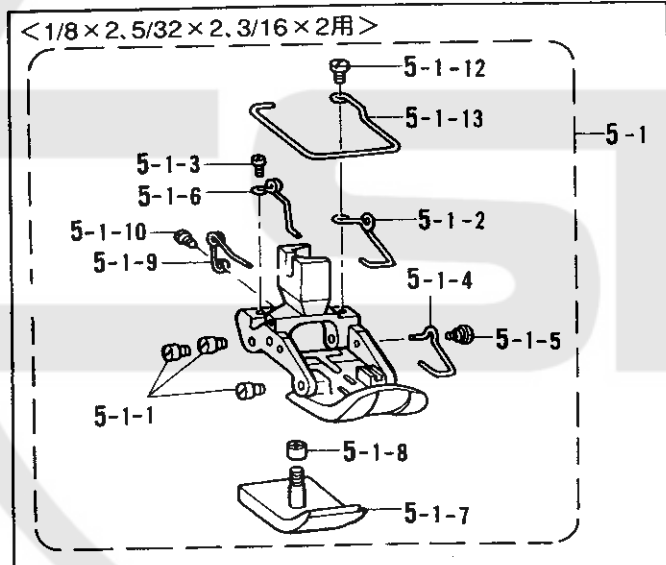
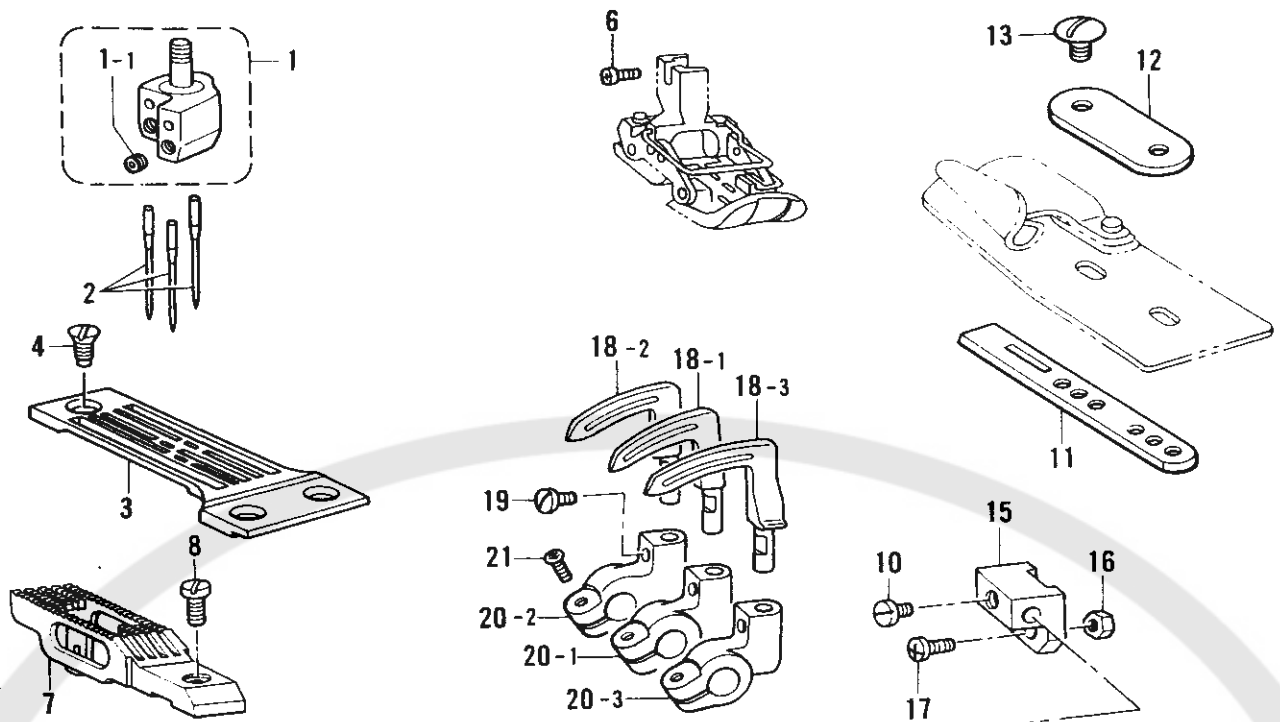


ゲージ関係 (927) / Gauge parts (927) / Lehren (927)
 / Pièces du jauge (927) / Piezas de calibradores (927)

REF.NO.	CODE	Q'TY	ヒンメイ	NAME OF PARTS	RM
3	※	1	ハリイタ	NEEDLE PLATE	
4	100032004	3	サラネジ4.37	SCREW, FLAT SM4.37	
6	014760622	1	アナトメネジ5.95	SET SCREW, SOCKET SM5.95	
7	※	1	オクリバ	FEED DOG	
8	105173004	1	シメネジ4.76	SCREW, SM4.76	
9	111443003	1	マルヒラトメネジ3.57	SET SCREW, SM3.57	
10	※	1	ハリウケ	NEEDLE GUARD	
11	S40399001	1	ラツバーアンナイイタ	LAPPER GUIDE PLATE	
12	105129001	1	アンナイイタザガネ	LAPPER GUIDE PLATE WASHER	
14	105130001	2	シメネジ3.57	SCREW, SM3.57	
17	148876001	1	ハリウケトリツケダイ	NEEDLE GUARD BRACKET	
18	021670102	1	ナツト1シユ3.57	NUT, 1 SM3.57	
19	062671012	1	ナベコ357-40X10	SCREW, PAN SM3.57-40X10	

<-7用>				<FOR "-7">	
1-1	※	1	ハリダキネジツキ	NEEDLE CALMP ASSY W/S	
1-1-1	103408002	2	トメネジ4.37	SET SCREW, SM4.37	
2-1	※	2	ミシンハリTVX64NY	NEEDLE, TVX64NY	
20-1	※	1	ルーバS	LOPPER, S	
20-2	※	1	ルーバL	LOPPER, L	
21-1	062680612	2	ナベコ4.37-40X6	SCREW, PAN SM4.37-40X6	
22-1	S06315001	1	ルーバホルダS	LOOPER HOLDER, S	
22-2	S06314001	1	ルーバホルダL	LOOPER HOLDER, L	
23-1	062681012	2	ナベコ437-40X10	SCREW, PAN SM4.37-40X10	
<-8用>				<FOR "-8">	
1-2	※	1	ハリダキネジツキ	NEEDLE CLAMP ASSY W/S	
1-2-1	146427001	3	アナトメネジ3.18クボミ	SET SCREW, SOCKET (CP) SM3.18	
2-2	※	3	ミシンハリTVX64NY	NEEDLE, TVX64NY	
20-3	S40375001	1	ルーバS1/8X2-6	LOPPER, S 1/8"X2-6	
20-4	S40376001	1	ルーバM-6	LOPPER, M-6	
20-5	S40377001	1	ルーバL1/8X2-6	LOPPER, L 1/8"X2-6	
21-2	111443003	3	マルヒラトメネジ3.57	SET SCREW, SM3.57	
22-3	S40378051	1	ルーバホルダS	LOPPER HOLDER, S	
22-4	S40379051	1	ルーバホルダM	LOPPER HOLDER, M	
22-5	S40380051	1	ルーバホルダL	LOPPER HOLDER, L	
23-2	062671012	3	ナベコ357-40X10	SCREW, PAN SM3.57-40X10	

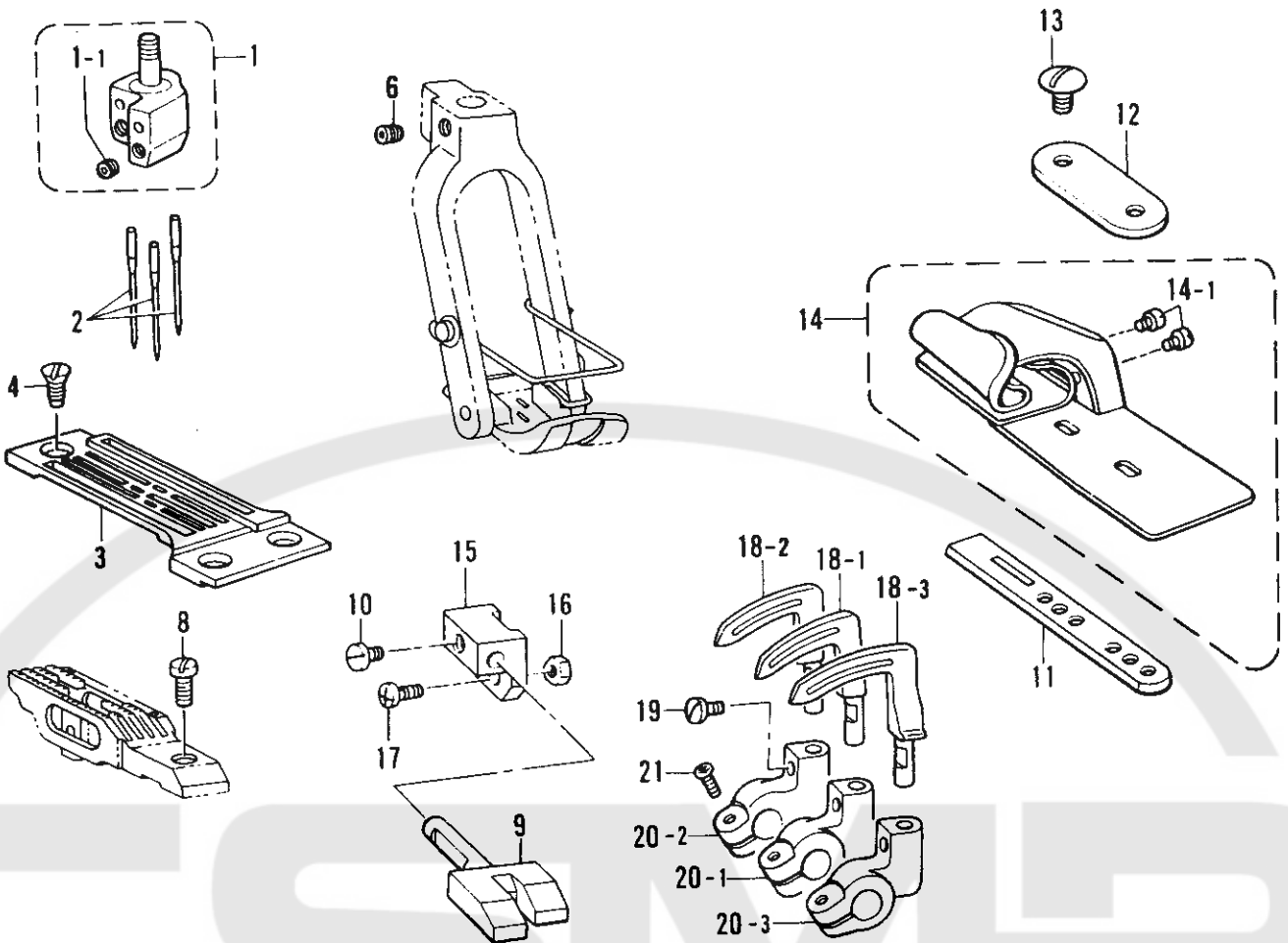
<3/16用>				<FOR "3/16">	
5-1	S06303101	1	オサエ3/16-7クミ	PRESSER FOOT ASSY, 3/16"-7	
5-1-1	147871001	4	オサエピン	PIN	
5-1-2	S06309001	1	オサエFバネ	SPRING	
5-1-3	147932001	1	ダンネジ2.38	SHOULDER SCREW, SM2.38	
5-1-4	062630612	1	ナベコ238-56X6	SCREW, PAN SM2.38-56X6	
5-1-5	S09180101	1	フィンガーガード	FINGER GUARD	
5-1-6	060660512	1	バインド318-40X5	SCREW, BIND SM3.18-40X5	
13-1	101494001	1	ラツバー3/16Mクミ	LAPPER ASSY, 3/16" M	
13-1-1	105130001	1	シメネジ3.57	SCREW, SM3.57	
<1/4, 1/8X2用>				<FOR "1/4, 1/8X2">	
5-2	※	1	オサエクミ	PRESSER FOOT ASSY	
5-2-1	147871001	4	オサエピン	PIN	
5-2-2	S06309001	1	オサエFバネ	SPRING	
5-2-3	147932001	1	ダンネジ2.38	SHOULDER SCREW, SM2.38	
5-2-4	S09180101	1	フィンガーガード	FINGER GUARD	
5-2-5	060660512	1	バインド318-40X5	SCREW, BIND SM3.18-40X5	
13-2	S09679001	1	ラツバー1/4Mクミ	LAPPER ASSY, 1/4" M	



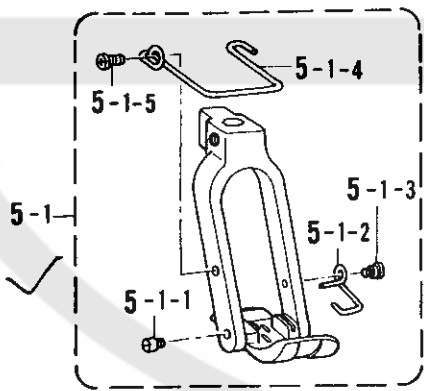
ゲージ関係 (928 スタンダード) / Gauge parts (928 Standard) / Lehren (928 Norm)
 / Pièces du jauge (928 Standard) / Piezas de calibradores (928 Norma)

REF.NO.	CODE	Q'TY	ヒンメイ	NAME OF PARTS	RM
1	※	1	ハリダククミ	NEEDLE CLAMP ASSY	
1-1	146427001	3	アナトメネジ3.18クボミ	SET SCREW, SOCKET (CP) SM3.18	
2	S43401021	3	ミシンハリTVX5	NEEDLE, TVX5 (#21)	
3	※	1	ハリイタ	NEEDLE PLATE	
4	100032004	3	サラネジ4.37	SCREW, FLAT SM4.37	
6	060670812	1	バインド357-40X8	SCREW, BIND SM3.57-40X8	
7	※	1	オクリバ	FEED DOG	
8	105173004	1	シメネジ4.76	SCREW, SM4.76	
9	148875001	1	ハリウケ-6	NEEDLE GUARD, -6	
10	111443003	1	マルヒラトメネジ3.57	SET SCREW, SM3.57	
11	S40399001	1	ラツパーアンナイイタ	LAPPER GUIDE PLATE	
12	105129001	1	アンナイイタザガネ	LAPPER GUIDE PLATE WASHER	
13	105130001	2	シメネジ3.57	SCREW, SM3.57	
15	148876001	1	ハリウケトリツケダイ	NEEDLE GUARD BRACKET	
16	021670102	1	ナツト1シユ3.57	NUT, 1 SM3.57	
17	062671012	1	ナベコ357-40X10	SCREW, PAN SM3.57-40X10	
18-1	※	1	ルーバS	LOPPER, S	
18-2	※	1	ルーバM	LOPPER, M	
18-3	※	1	ルーバL	LOPPER, L	
19	111443003	3	マルヒラトメネジ3.57	SET SCREW, SM3.57	
20-1	S40378051	1	ルーバホルダS	LOPPER HOLDER, S	
20-2	S40379051	1	ルーバホルダM	LOPPER HOLDER, M	
20-3	S40380051	1	ルーバホルダL	LOPPER HOLDER, L	
21	062671012	3	ナベコ357-40X10	SCREW, PAN SM3.57-40X10	
<hr/>					
5-1	※	1	<1/8X2, 5/32X2, 3/16X2用> オサエクミ	<FOR "1/8X2, 5/32X2, 3/16X2"> PRESSER FOOT ASSY	
5-1-1	147871001	6	オサエピン	PIN	
5-1-2	147872001	1	オサエMバネ	SPRING	
5-1-3	S01295001	1	シメネジ2.38X3.5	SCREW, SM2.38X3.5	
5-1-4	147890001	1	オサエFバネ	SPRING	
5-1-5	147932001	1	ダンネジ2.38	SHOULDER SCREW, SM2.38	
5-1-6	147875001	1	オサエBLバネ	SPRING	
5-1-8	147877001	1	ツマミナツト3.18	NUT, SM3.18	
5-1-9	147878001	1	オサエBSバネ	SPRING	
5-1-10	062660512	1	ナベコネジ318-40X5	SCREW, PAN SM3.18-40X5	
5-1-12	111105002	1	シメネジ2.38	SCREW, SM2.38	
5-1-13	151572101	1	フィンガーガード	FINGER GUARD	
5-1-7	S40804001	1	<5/32X2, 3/16X2用> オサエBS5/16	<FOR "5/32X2, 3/16X2"> PRESSER FOOT, BS 5/16"	
5-1-7	147876001	1	<1/8X2用> オサエBS	<FOR "1/8X2"> PRESSER FOOT, BS	
5-2	S40788001	1	<7/64X2用> オサエ7/64X2クミ	<FOR "7/64X2"> PRESSER FOOT ASSY, 7/64"X2	
5-2-1	S09397001	1	オサエオシバネ	SPRING	
5-2-2	153787001	2	シメネジ2.38	SCREW, SM2.38	
5-2-3	151571001	1	フィンガーガード	FINGER GUARD	
<hr/>					
14-1	※	1	<中厚物用 (MH)> ラツパーMHクミ	<FOR MEDIUM MATERIALS "MH"> LAPPER ASSY, MH	
14-1-1	105130001	1	シメネジ3.57	SCREW, SM3.57	
14-2	※	1	<厚物用 (H)> ラツパーHクミ	<FOR THICK MATERIALS "H"> LAPPER ASSY, H	
14-2-1	122771001	2	シメネジ2.38	SCREW, SM2.38	

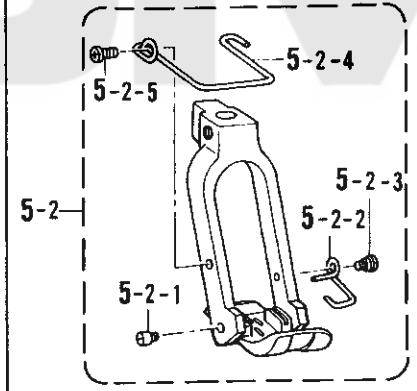
ゲージ関係 (928) / Gauge parts (928) / Lehren (928)
 / Pièces du jauge (928) / Piezas de calibradores (928)



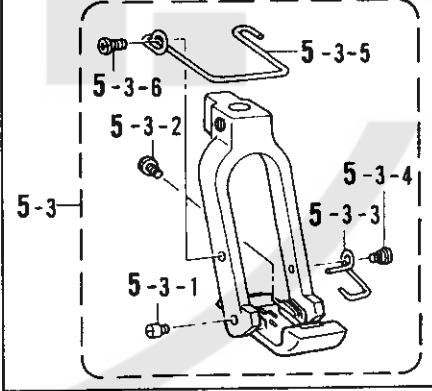
<デニム用 1/8×2 輸出(段差1.9)>



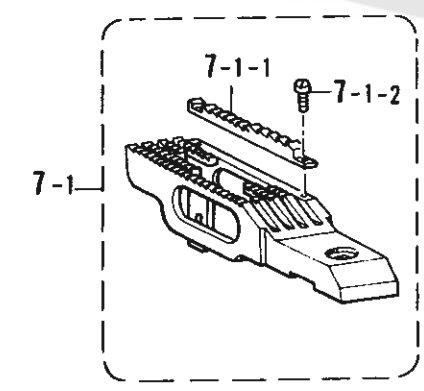
<デニム用 5/32×2.3/16×2>



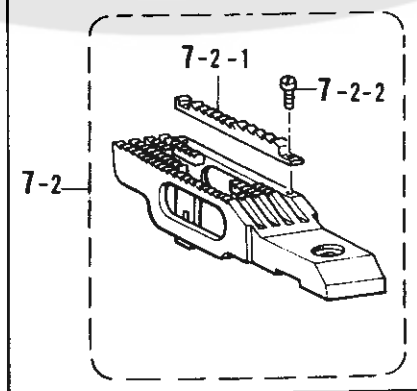
<厚物用 1/8×2, デニム用 1/8×2 (段差1.0)>



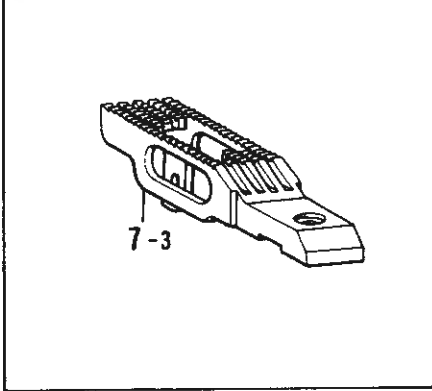
<デニム用 1/8×2 (段差1.9), 5/32×2.3/16×2>



<デニム用 1/8×2 (段差1.0)>



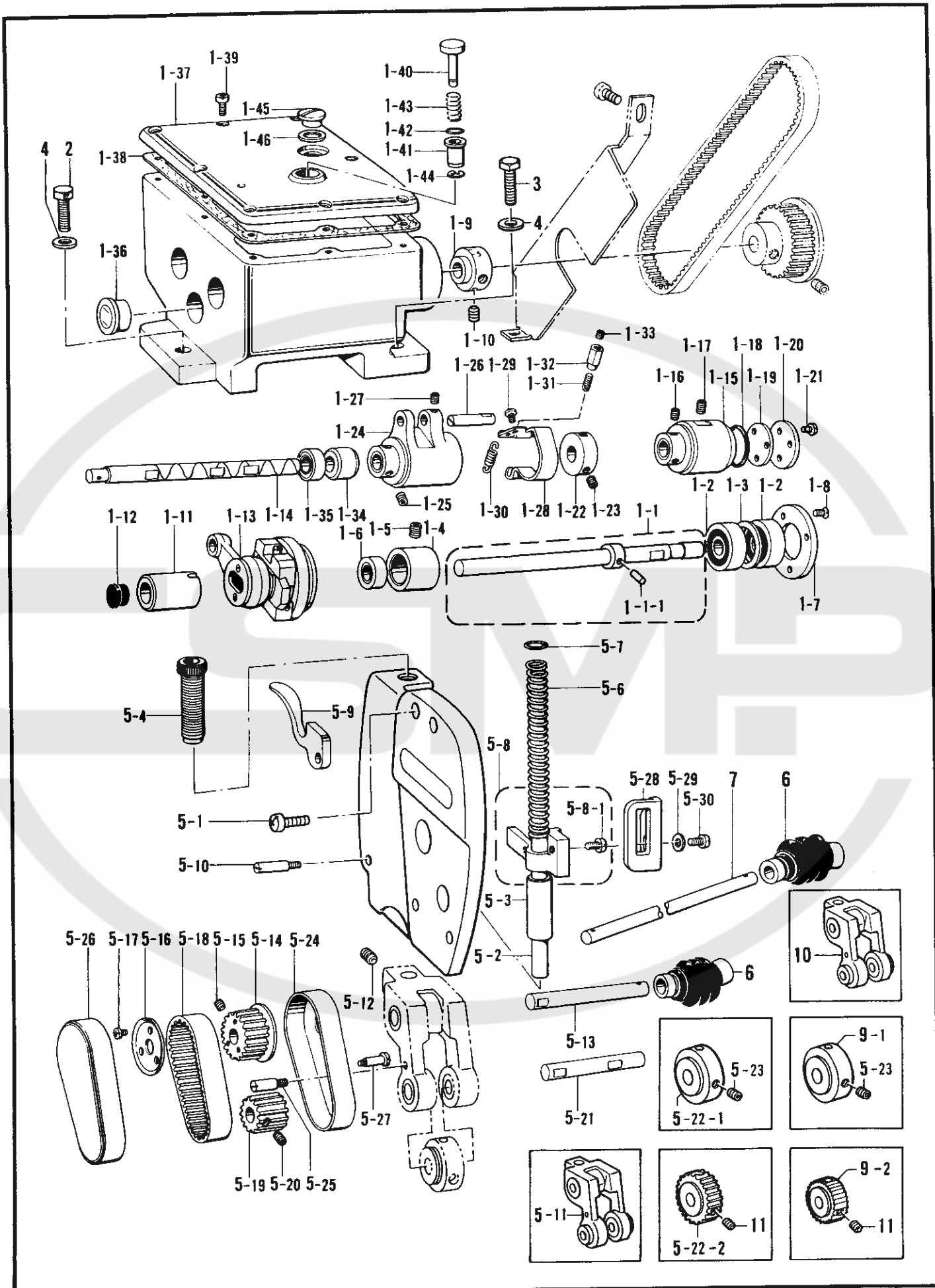
<厚物用>



ゲージ関係 (928) / Gauge parts (928) / Lehren (928)
 / Pièces du jauge (928) / Piezas de calibradores (928)

REF.NO.	CODE	Q'TY	ヒンメイ	NAME OF PARTS	RM
1	※	1	ハリダキクミ	NEEDLE CLAMP ASSY	
1-1	146427001	3	アナトメネジ3.18クボミ	SET SCREW, SOCKET (CP) SM3.18	
2	※	3	ミシンハリTVX5	NEEDLE, TVX5	
3	※	1	ハリイタ	NEEDLE PLATE	
4	100032004	3	サラネジ4.37	SCREW, FLAT SM4.37	
6	014760622	1	アナトメネジ5.95	SET SCREW, SOCKET SM5.95	
8	105173004	1	シメネジ4.76	SCREW, SM4.76	
9	148875001	1	ハリウケ-6	NEEDLE GUARD, -6	
10	111443003	1	マルヒラトメネジ3.57	SET SCREW, SM3.57	
11	S40399001	1	ラツパーアンナイイタ	LAPPER GUIDE PLATE	
12	105129001	1	アンナイイタザガネ	LAPPER GUIDE PLATE WASHER	
13	105130001	2	シメネジ3.57	SCREW, SM3.57	
14	※	1	ラツパークミ	LAPPER ASSY	
14-1	122771001	2	シメネジ2.38	SCREW, SM2.38	
15	148876001	1	ハリウケトリツケダイ	NEEDLE GUARD BRACKET	
16	021670102	1	ナット1シユ3.57	NUT, 1 SM3.57	
17	062671012	1	ナベコ357-40X10	SCREW, PAN SM3.57-40X10	
18-1	※	1	ルーパス	LOPPER, S 1/8"X2-6	
18-2	※	1	ルーバM	LOPPER, M 1/8"X2-6	
18-3	※	1	ルーバL	LOPPER, L 1/8"X2-6	
19	111443003	3	マルヒラトメネジ3.57	SET SCREW, SM3.57	
20-1	S40378051	1	ルーバホルダS	LOPPER HOLDER, S	
20-2	S40379051	1	ルーバホルダM	LOPPER HOLDER, M	
20-3	S40380051	1	ルーバホルダL	LOPPER HOLDER, L	
21	062671012	3	ナベコ357-40X10	SCREW, PAN SM3.57-40X10	
<hr/>					
5-1	150672101	1	<デニム用1/8X2輸出段差1.9> オサエ1/8X2-8クミ	<For Export Denim "1/8X2"> PRESSER FOOT ASSY, 1/8"X2-8	
5-1-1	150670001	2	オサエピン	PIN	
5-1-2	150671001	1	オサエFバネ	SPRING	
5-1-3	147932001	1	ダンネジ2.38	SHOULDER SCREW, SM2.38	
5-1-4	156211101	1	フィンガーガード	FINGER GUARD	
5-1-5	060660512	1	バインド318-40X5	SCREW, BIND SM3.18-40X5	
5-2	151487101	1	<デニム用5/32X2, 3/16X2> オサエ5/32X2-8クミ	<For Denim 5/32X2, 3/16X2> PRESSER FOOT ASSY, 5/32"X2-8	
5-2-1	151481001	2	オサエピン	PIN	
5-2-2	151482001	1	オサエFバネ	SPRING	
5-2-3	147932001	1	ダンネジ2.38	SHOULDER SCREW, SM2.38	
5-2-4	156211101	1	フィンガーガード	FINGER GUARD	
5-2-5	060660512	1	バインド318-40X5	SCREW, BIND SM3.18-40X5	
5-3	※	1	<厚物用1/8X2, デニム1/8X2段差1.0> オサエ1/8X2-8クミ	<For Thick & Denim materials "1/8X2"> PRESSER FOOT ASSY, FT 1/8"X2-8	
5-3-1	150670001	2	オサエピン	PIN	
5-3-2	142747002	1	シメネジ4.76	SET SCREW, SM4.76	
5-3-3	150671001	1	オサエFバネ	SPRING	
5-3-4	147932001	1	ダンネジ2.38	SHOULDER SCREW, SM2.38	
5-3-5	156211101	1	フィンガーガード	FINGER GUARD	
5-3-6	060660512	1	バインド318-40X5	SCREW, BIND SM3.18-40X5	
<hr/>					
7-1	※	1	<デニム1/8X2段差1.9, 5/32X2, 3/16X2> オクリバクミ	<For Denim "1/8X2, 5/32X2 & 3/16X2"> FEED DOG ASSY, 1/4"-7	
7-1-1	147307001	1	トリツケバ	SUB FEED DOG	
7-1-2	147880001	2	シメネジ1.98	SCREW, SM1.98	
7-2	S01635101	1	<デニム用1/8X2段差1.0> オクリバ1/8X2-8クミ	<For Denim "1.8X2"> FEED DOG ASSY, 1/8"X2-8	
7-2-1	S01637001	1	トリツケバ	SUB FEED DOG	
7-2-2	147880001	2	シメネジ1.98	SCREW, SM1.98	
7-3	156182101	1	<厚物用> オクリバ1/8X2-8	<FOR HEAVY MATERIALS> FEED DOG, 1/8"X2-8	

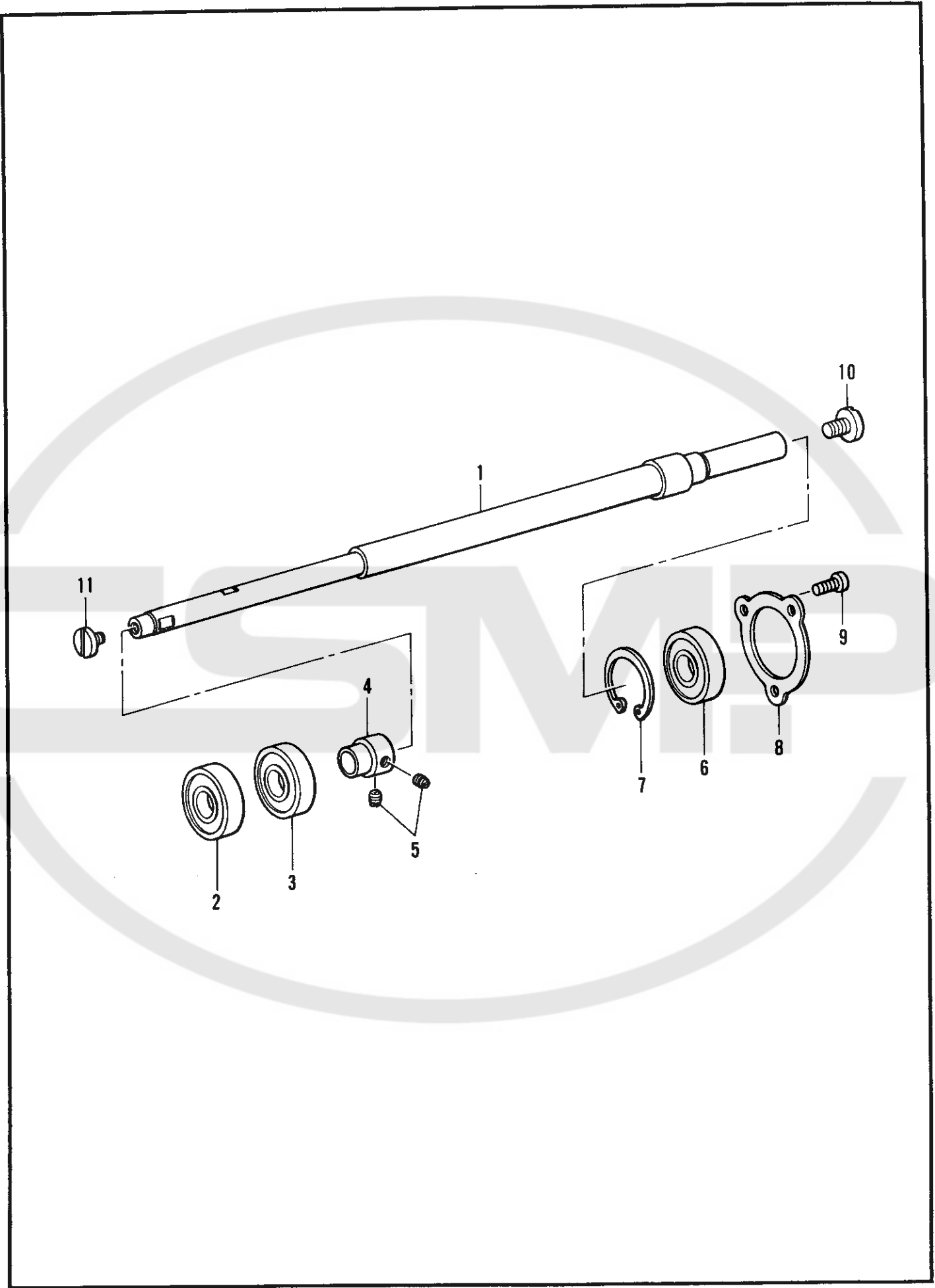
プーラ装置関係 / Puller device mechanism / Ziehvorrichtung
 / Mécanisme due puller / Mecanismo del dispositivo de arrastre



プーラ装置関係 / Puller device mechanism / Ziehvorrichtung

REF.NO.	CODE	Q'TY	品名	NAME OF PARTS	RM
1-1	150679001	1	ヘンシンリンジククミ	ECCENTRIC WHEEL SHAFT ASSY	
1-1-1	047201640	1	スプリングピンAW2	PIN, SPRING ROLL AW2	
1-2	072600040	2	タマジクウケ6000DD	BALL BEARING, 6000DD	
1-3	150682000	1	ベアリングカラー	BEARING COLLAR	
1-4	150683000	1	ベアリングブッシュ	BEARING BUSH	
1-5	014760622	1	アナトメネジ5.95	SET SCREW, SOCKET SM5.95	
1-6	150684001	1	オイルシール	OIL SEAL	
1-7	S25125001	1	ベアリングフタ	BEARING COVER	
1-8	062670712	3	ナベコ357-40X7	SCREW, PAN SM3.57-40X7	
1-9	150686101	1	タイミングカラー	TIMING COLLAR	
1-10	014760622	2	アナトメネジ5.95	SET SCREW, SOCKET SM5.95	
1-11	150687000	1	ヘンシンリンジクメタル	ECCENTRIC WHEEL SHAFT BUSH	
1-12	117934009	1	ゴムセン13.5	RUBBER CAP, 13.5	
1-13	150688101	1	ヘンシンリンクミ	ECCENTRIC WHEEL ASSY	
1-14	150690101	1	オクリジク	FEED SHAFT	
1-15	S36058001	1	クラッチメタルクミ	CLUTCH BUSH ASSY	
1-16	014760622	2	アナトメネジ5.95	SET SCREW, SOCKET SM5.95	
1-17	014760622	1	アナトメネジ5.95	SET SCREW, SOCKET SM5.95	
1-18	081025570	1	OリングP25.5	O RING, P25.5	
1-19	150693000	1	パッキン	PACKING	
1-20	S25126001	1	クラッチメタルフタ	CLUTCH BUSH CAP	
1-21	062670712	3	ナベコ357-40X7	SCREW, PAN SM3.57-40X7	
1-22	150680001	1	セツカラー	SET SCREW COLLAR	
1-23	014760622	2	アナトメネジ5.95	SET SCREW, SOCKET SM5.95	
1-24	S36061001	1	クラッチクミ	CLUTCH ASSY	
1-25	014760622	2	アナトメネジ5.95	SET SCREW, SOCKET SM5.95	
1-26	109153001	1	ピン	PIN	
1-27	014680422	1	アナトメネジ4.37クボミ	SET SCREW, SOCKET (CP) SM4.37	
1-28	150611001	1	ブレーキイタバネ	PLATE SPRING	
1-29	062680512	2	ナベコ437-40X5	SCREW, PAN SM4.37-40X5	
1-30	150612001	1	ブレーキバネ	SPRING	
1-31	150613001	1	ブレーキバネカケ	SPRING HOOK	
1-32	150614001	1	ブレーキバネカケブッシュ	SPRING HOOK BUSH	
1-33	148294001	1	アナトメネジ3.57クボミ	SET SCREW, SOCKET (CP) SM3.57	
1-34	150695000	1	オクリジクメタル	FEED SHAFT BUSH	
1-35	150696001	1	オイルシール	OIL SEAL	
1-36	150697001	1	オイルボツトマド	OIL GAUGE WINDOW	
1-37	150698009	1	プーラソウチウフタ	PULLER DEVICE TOP COVER	
1-38	150699000	1	パッキン	PACKING	
1-39	062671012	8	ナベコ357-40X10	SCREW, PAN SM3.57-40X10	
1-40	150641001	1	オクリチヨウセツボタン	FEED ADJUST BUTTON	
1-41	150700001	1	チヨウセツボタンブッシュ	FEED REGURATE BUTTON BUSH	
1-42	081003670	1	OリングPW3	O RING, PW3	
1-43	150701001	1	オクリチヨウセツボタンバネ	SPRING	
1-44	048040342	1	トメワE4	RETAINING RING, E4	
1-45	105113001	1	シメネジ12.70	SCREW, SM12.70	
1-46	105215001	1	パッキン	PACKING	
2	017822212	1	ボルト7.94X22	BOLT, SM7.94X22	
3	017821813	2	ボルト7.94X18	BOLT, SM7.94X18	
4	025080132	3	ヒラザガネシヨウ8	WASHER, PLAIN S 8	
5-1	062681012	4	ナベコ437-40X10	SCREW, PAN SM4.37-40X10	
5-2	150704001	1	プーラオサエボウ	PULLER PRESSER BAR	
5-3	S41314000	1	オサエボウメタルD	PRESSER BAR BUSH, D	
5-4	100279109	1	オサエチヨウセツネジ	PRESSER ADJUST SCREW	
5-6	106794001	1	オサエバネ	SPRING	
5-7	141099001	1	オサエバネザガネ	SPRING WASHER	
5-8	183128001	1	オサエバネザガネイウミ	PRESSER BAR GUIDE ASSY	
5-8-1	062680712	1	ナベコ437-40X7	SCREW, PAN SM4.37-40X7	
5-9	112618001	1	オサエアゲ	PRESSER FOOT LIFTER	
5-10	150705001	1	テコササエジク	SUPPORT STUD	
5-12	014770622	1	アナトメネジ6.35クボミ	SET SCREW, SOCKET (CP) SM6.35	
5-13	150711001	1	タイミングプーリジク	TIMING PULLEY SHAFT	
5-14	150712001	1	タイミングプーリCクミ	TIMING PULLEY ASSY, C	
5-15	014680422	2	アナトメネジ4.37クボミ	SET SCREW, SOCKET (CP) SM4.37	
5-16	150715001	1	フランジB	FLANGE, B	
5-17	106568003	3	シメネジ3.57	SCREW, SM3.57	
5-18	150716001	1	プーラタイミングベルトB	PULLER TIMING BELT, B	
5-19	150717000	1	タイミングプーリD	TIMING PULLEY, D	
5-20	014680422	2	アナトメネジ4.37クボミ	SET SCREW, SOCKET (CP) SM4.37	
5-21	150718001	1	プーラジク	PULLER SHAFT	
5-24	150720001	1	カバーD	TIMING BELT COVER, D	
5-25	150721001	1	スタッド	STUD	
5-26	150722001	1	カバーU	TIMING BELT COVER, U	
5-27	150723001	1	ダンネジ3.57	SHOULDER SCREW, SM3.57	
5-28	153965001	1	プーラオサエボウアゲ	PULLER PRESSER BAR LIFTER	
5-29	025060232	1	ヒラザガネチユウ6	WASHER, PLAIN M 6	
5-30	062761012	1	ナベコ595-28X10	SCREW, PAN SM5.95-28X10	
6	150725001	2	カバーツギジギテ	UNIVERSAL JOINT ASSY	
7	150726001	1	ツギテジク	UNIVERSAL JOINT SHAFT	
10	S16488001	1	<927用> プーラササエクミ	<FOR 927> PULLER SUPPORT ASSY	
5-11	150706001	1	<928用> プーラササエクミ	<FOR 928> PULLER SUPPORT ASSY	
5-22-1	S06311201	1	<927-7 3/16"用> プーラ	<FOR 927-7, 3/16"> PULLER	
5-23	014680622	2	アナトメネジ4.37クボミ	SET SCREW, SOCKET (CP) SM4.37	
5-22-2	S41315001	1	<928用-7,-8デニム仕様> プーラ	<For 927-7 1/4",-8 & 928 Heavy materials> PULLER	
11	014760622	2	アナトメネジ5.95	SET SCREW, SOCKET SM5.95	
9-1	154344201	1	<927-7 1/4用,-8用,928庫物用> プーラ	<For 927-7 1/4",-8 & 928 Heavy materials> PULLER	
5-23	014680422	2	アナトメネジ4.37クボミ	SET SCREW, SOCKET (CP) SM4.37	
9-2	150719001	1	<928用-8 1/8X2 国内用> プーラ	<For 928-8 1/8X2 Japan> PULLER	
11	014760622	2	アナトメネジ5.95	SET SCREW, SOCKET SM5.95	

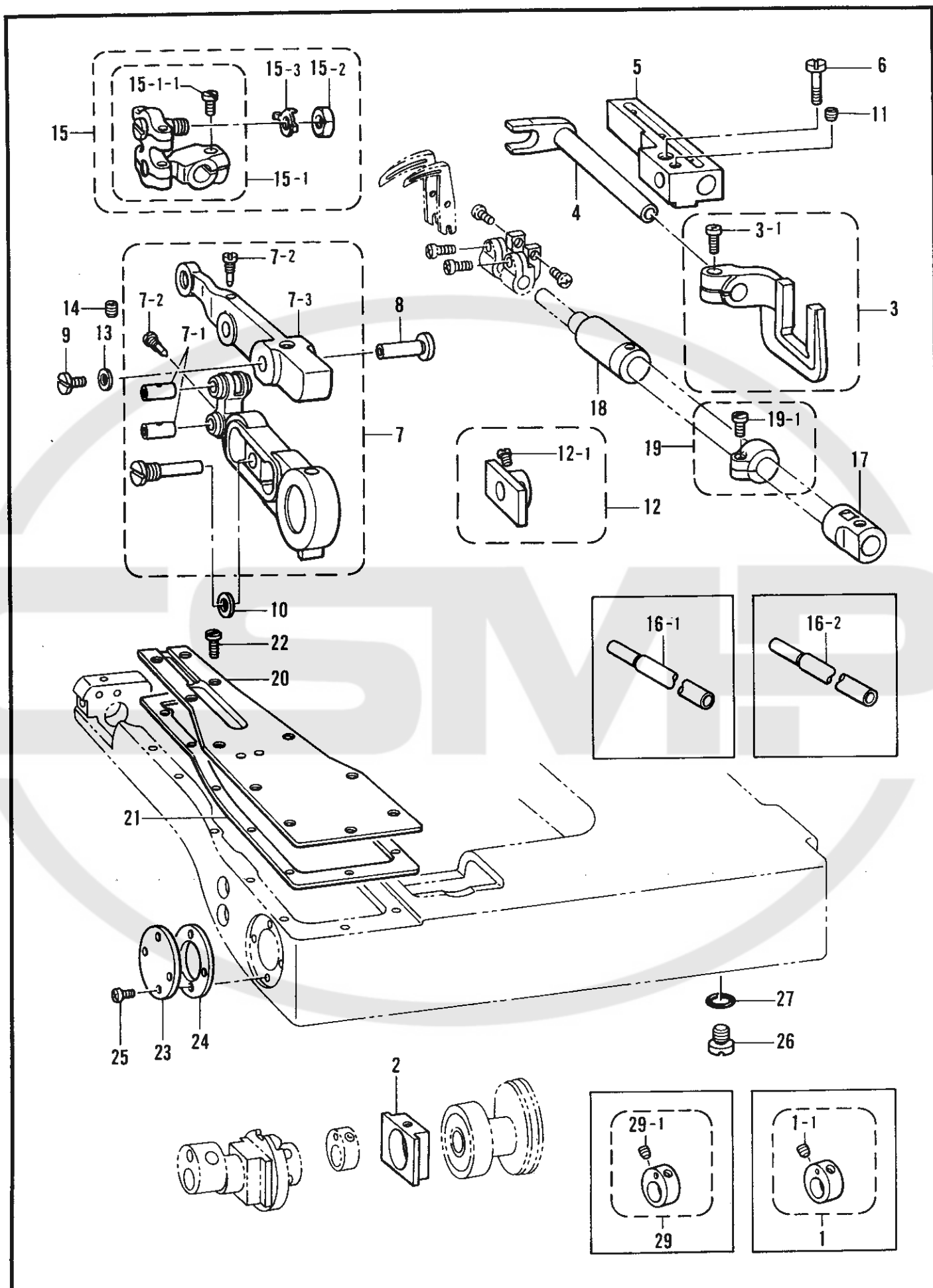
下軸關係 / Lower shaft mechanism / Untere Welle / Mécanisme de l'arbre inférieur / Mecanismo del eje inferior



下軸関係 / Lower shaft mechanism / Untere Welle / Mécanisme de l'arbre inférieur
 / Mecanismo del eje inferior

REF.NO.	CODE	Q'TY	品名	NAME OF PARTS	RM
1	105147101	1	シタジク	LOWER SHAFT	
2	072620070	1	タマジクウケ6200Z	BALL BEARING, 6200Z	
3	072620180	1	タマジクウケ6201ZZ	BALL BEARING, 6201ZZ	
4	105150000	1	タマジクウケブシユ	BALL BEARING BUSH	
5	102716004	2	トメネジ4.37	SET SCREW, SM4.37	
6	072630260	1	ベアリング6302VV	BALL BEARING, 6302VV	
7	048420242	1	トメワアナヨウC42	RETAINING RING, C42	
8	540316051	1	ベアリングオサエ	BEARING PRESSER	
9	062711012	3	ナベコ476-32X10	SCREW, PAN SM4.76-32X10	
10	105155001	1	シメネジ6.35	SCREW, SM6.35	
11	105156002	1	シメネジ4.37	SCREW, SM4.37	

ルーパー関係 / Looper mechanism / Greifer / Mécanisme des griffes
 / Mecanismo del presilladora



ルーパー関係 / Lopper mechanism / Greifer / Mécanisme des griffes
/ Mecanismo del presilladora

REF.NO.	CODE	Q'TY	ヒンメイ	NAME OF PARTS	RM
2	S40302000	1	ヘンシンリンスリーブ	ECCENTRIC WHEEL SLEEVE	
3	181993101	1	ゼンゴフタマタクミ	LOPPER FEEDING FORK ASSY	
3-1	105176001	1	シメネジ4.37	SCREW, SM4.37	
4	105177001	1	ゼンゴフタマタジク	LOOPER FEEDING FORK SHAFT	
5	105178100	1	ゼンゴフタマタジクウケ	LOPPER F/FORK SHAFT BRACKET	
6	105179001	1	シメネジ4.76	SCREW, SM4.76	
7	S40303001	1	ルーバレンカンクミ	LOPPER CONNECTING ROD ASSY	
7-1	105183001	2	ルーバリンクジク	LOOPER LINK SHAFT	
7-2	105184000	2	シメネジ2.38	SCREW, SM2.38	
7-3	S40792001	1	ルーバレバー	LOPPER LEVER	
8	S40793051	1	ルーバレバージク	LOPPER LEVER SHAFT	
9	105191001	1	シメネジ4.37	SCREW, SM4.37	
10	081010870	1	OリングS10	O RING, S10	
11	100260001	1	トメネジ5.95	SET SCREW, SM5.95	
12	181987001	1	ルーバレンカンアンナイイタ	LOOPER CONNECT. ROD GUIDE ASSY	
12-1	100366001	2	マルヒラトメネジ4.37	SET SCREW, (FT) SM4.37	
13	081003670	1	OリングPW3	O RING, PW3	
14	014761030	1	アナクボミ595-28X10	SET SCREW, SOCKET (CP) SM5.95	
15	105193101	1	ルーバジクリンククミ	LOOPER SHAFT LINK ASSY SET	
15-1	183185101	1	ルーバジクリンククミ	LOOPER SHAFT LINK ASSY SET	
15-1-1	105176001	1	シメネジ4.37	SCREW, SM4.37	
15-2	100022004	1	ナツト5.95	NUT, SM5.95	
15-3	105198000	1	タマジクザガネ	WASHER	
17	105201000	1	ルーバジクメタルF	LOOPER SHAFT BUSH, F	
18	148877100	1	ルーバジクメタルB	LOOPER SHAFT BUSH, B	
19	181971001	1	ルーバジクセットカラー	LOOPER SHAFT SET COLLAR	
19-1	062680812	1	ナベコ437-40X8	SCREW, PAN SM4.37-40X8	
20	S40306001	1	マエオクリウデフタ	FRONT FEED ARM CAP	
21	S40307001	1	マエオクリウデフタバツキン	PACKING	
22	105216001	11	シメネジ3.57	SCREW, SM3.57	
23	105217059	1	タマジクウケフタ	BALL BEARING	
24	S40308001	1	タマジクウケフタバツキン	PACKING	
25	062670512	4	ナベコ357-40X5	SCREW, PAN SM3.57-40X5	
26	140518001	1	シメネジ7.94	SCREW, SM7.94	
27	081007070	1	OリングP7	O RING, P7	
16-1	105200101	1	<927-8以外用> ルーバジク	<FOR 927 WITHOUT "-8"> LOPPER SHAFT	
16-2	S16490101	1	<927-8, 928用> ルーバジク	<FOR 927 "-8" & 928> LOOPER SHAFT	
1	181126001	1	<927中厚物, 928用> ヘンシンリンネジツキ	<For 927 "Medium materials" & 928> ECCENTRIC WHEEL WITH SCREW	
1-1	153675001	2	アナトメネジ4.37	SET SCREW, SOCKET SM4.37	
29	S36862001	1	<927薄物用> ヘンシンリンネジツキ	<FOR 927 THIN MATERIALS > ECCENTRIC WHEEL WITH SCREW	
29-1	153675001	2	アナトメネジ4.37	SET SCREW, SOCKET SM4.37	

上糸通シ関係 (927) / Upper threading mechanism (927) / Obererfadens (927)
 / Mécanisme de l'enfilage supérieur (927) / Mecanismo del enhebrado superior (927)

