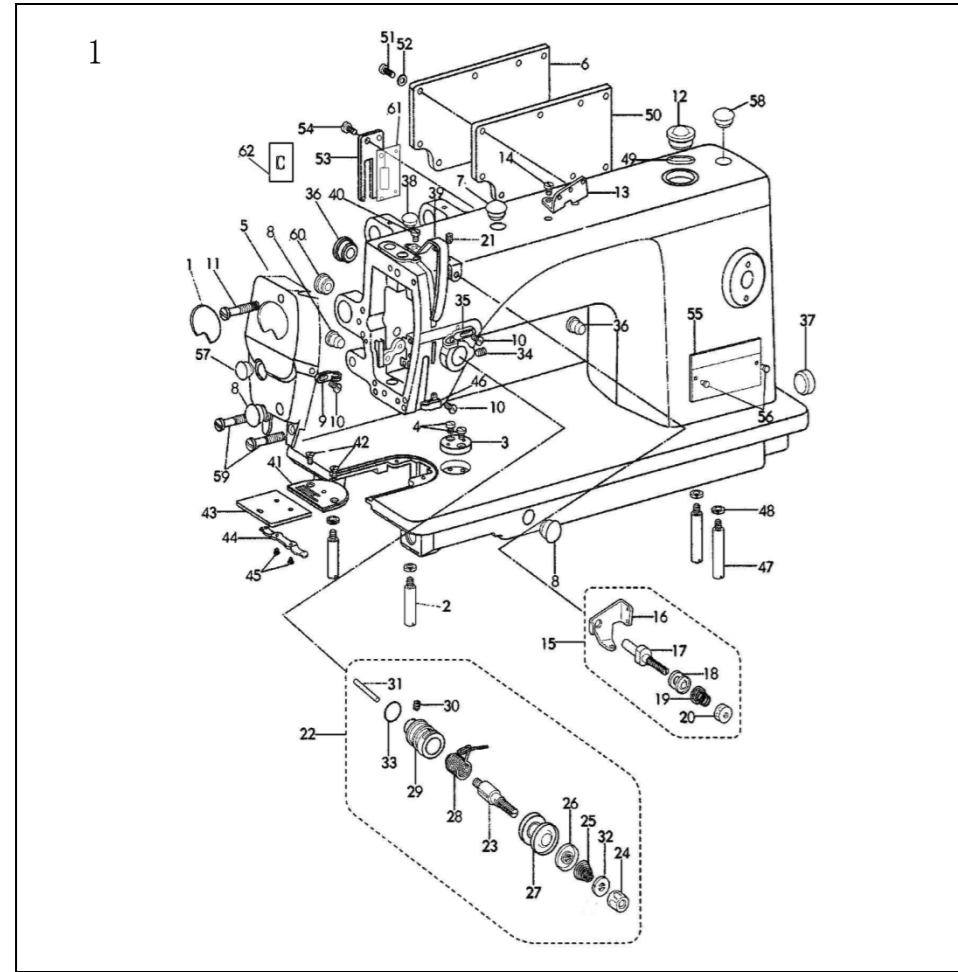


6380系列

厚料平缝机系列产品 Heavy duty lockstitch sewing machine

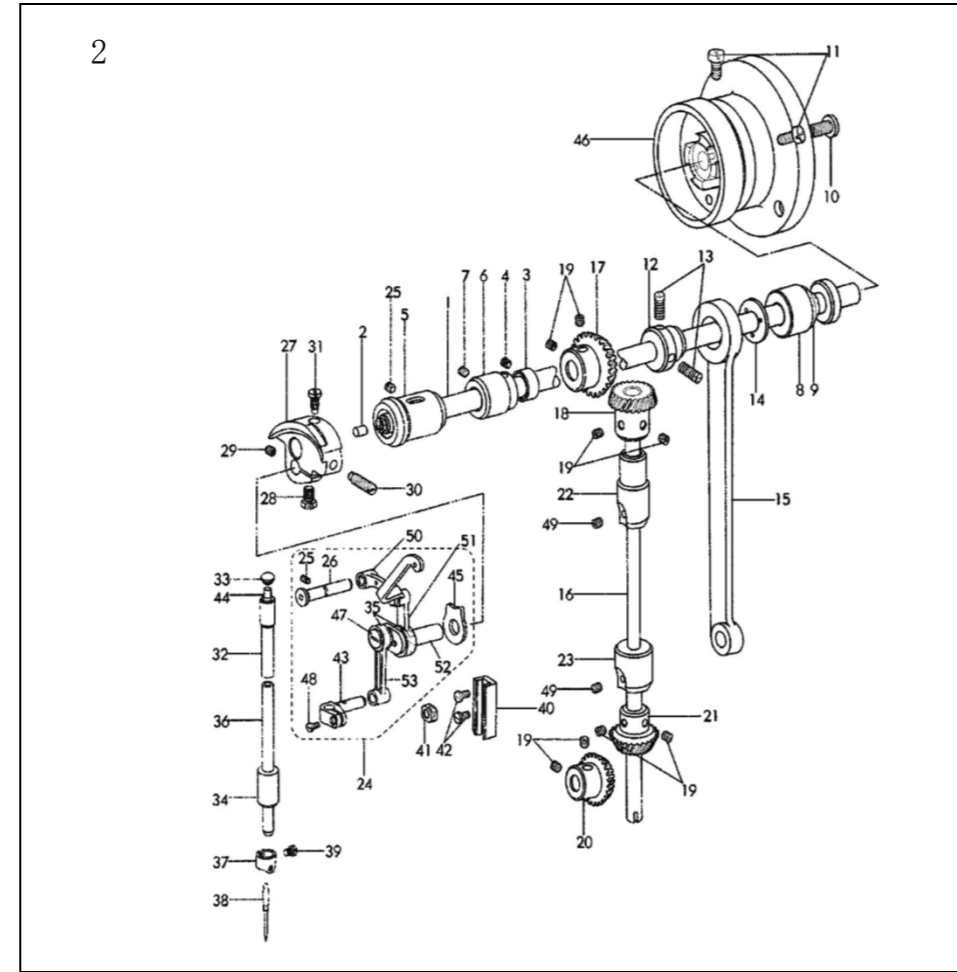
零件手册

Parts Manual



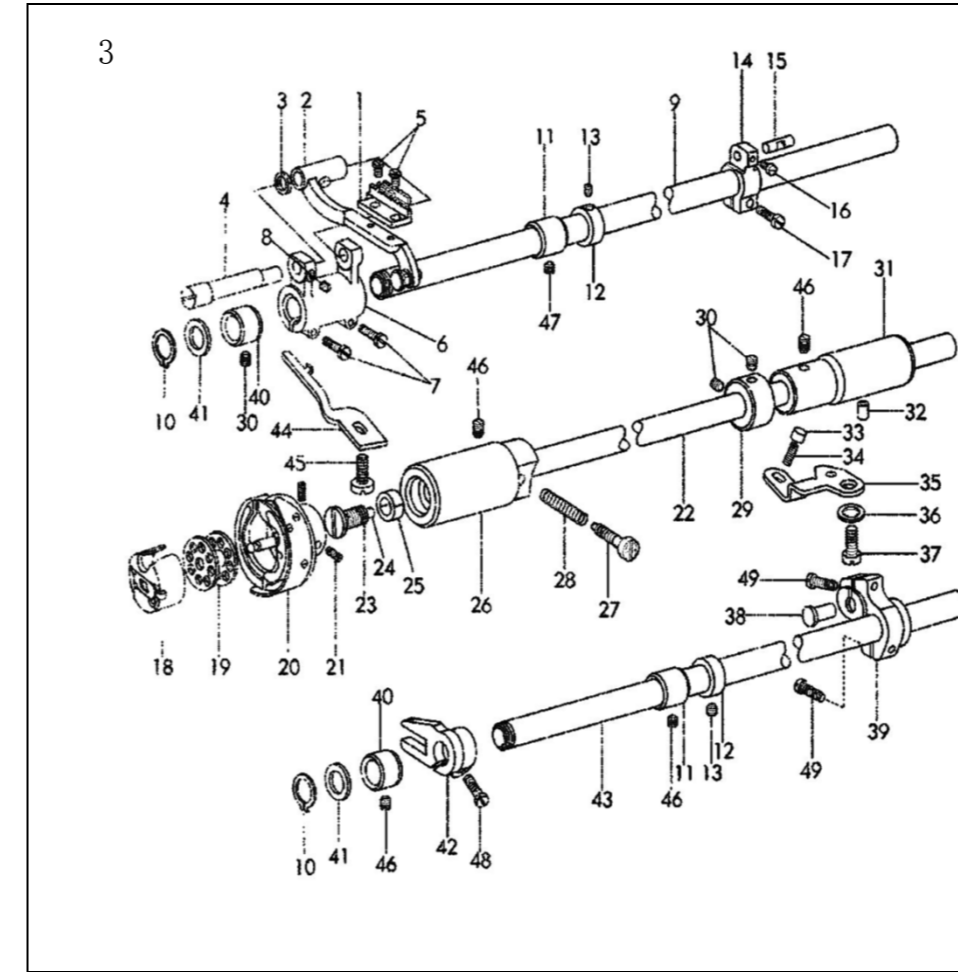
1. 机壳、外装分组件/Machine frame & miscellaneous cover components

序号NO.	公司件号	Part NO.	名称 PartName	零件描述 Description	数量 Number
1	0137004		商标牌	Plate	1
2	13520010		旋板螺钉(头部)	Head screw stud(head)	2
3	0112002		旋板垫圈	Washer stop seat	1
4	01511002		螺钉	Screw	2
5	13501003		面板	Face plate arm	1
6	13512002		后盖板	Side plate	1
7	13522001		橡皮塞(Φ19)	Rubber plug(Φ19)	1
8	13522002		橡皮塞(Φ11.8)	Rubber plug(Φ11.8)	3
9	13512003		线勾	Arm thread guide	1
10	01511005		螺钉	Screw	3
11	201511025		螺钉	Screw	1
12	0111004		视窗	Oil sight window	1
13	13512004		三孔线勾	Three hole thread guide	1
14	201511016		螺钉	Screw	1
15	1351300100		小夹线组件	Thread tension asm.No.1	1
16	13512005		小夹线过线板	Thread tension guide	1
17	13530001		小夹线螺钉	Thread tension post	1
18	13513002		小夹线螺母	Thread tension nut	2
19	13527001		小夹线弹簧	Thread tension spring	1
20	01516016		小夹线螺母	Thread tension nut	1
21	13513001		螺钉	Screw	1
22	135130000		小夹线零件	Thread tension asm	1
23	13520002		夹线螺钉	Thread tension post	1
24	01516001		夹线螺母	Tension nut	1
25	13527002		夹线弹簧	Tension spring	1
26	13513004		夹线板	Hook stopper	1
27	13513005		夹线轴	Thread tension disk	2
28	13527003		夹线簧	Takeup spring	1
29	13513006		夹线调节座	Thread tension post base	1
30	01515005		螺钉	Screw	1
31	13513007		松线钉	Thread release pin	1
32	13513008		夹线螺母止动板	Tension disc stopper	1
33	001059		O型圈(4.5x1.5)	Ring(4.5x1.5)	1
34	13511001		螺钉	Screw	1
35	13513009		线勾	Arm thread guide	1
36	13522003		橡皮塞(Φ8.8)	Rubber plugΦ8.8	1
37	13522004		橡皮塞(Φ27)	Rubber plugΦ27	2
38	13522005		橡皮塞(Φ5.7)	Rubber plugΦ5.7	1
39	13512006		夹线杆的护套	Thread take-up lever cover	1
40	201511016		螺钉	Screw	1
41	13516001		针板	Throat plate	1
42	01517002		针板螺钉	Throat plate screw	2
43	13515002		侧板	Slide plate	1
44	13512007		侧板簧	Slide plate spring	1
45	01511019		螺钉	Screw	2
46	13513010		下夹线	Down arm thread guide	1
47	13522001		旋板螺钉(尾部)	Head screw stud(tail)	2
48	002004		弹簧垫圈 6	Spring washer	4
49	0112019		视窗O型圈	Screw	1
50	13522006		后盖板垫	Gasket	1
51	112511001		后盖板螺钉	Screw	8
52	01128003		垫片4.5	Washer	8
53	13512008		小挡油板	Keep off plate	1
54	01511005		螺钉	Screw	4
55	13527001		型号牌	Model plate	1
56	003001		型号牌铆钉	Model plate rivet	2
57	13522001		橡皮塞(Φ19)	Rubber plugΦ19	1
58	13522008		橡皮塞(Φ25.5)	Rubber plugΦ25.5	1
59	13511047		侧板螺钉	Screw	2
60	01122016		橡皮塞(Φ10.5)	Rubber plugΦ10.5	1
61	13522011		小挡油板垫	Gasket	1
62	13522018		大连杆橡胶垫	Rubber gasket	1



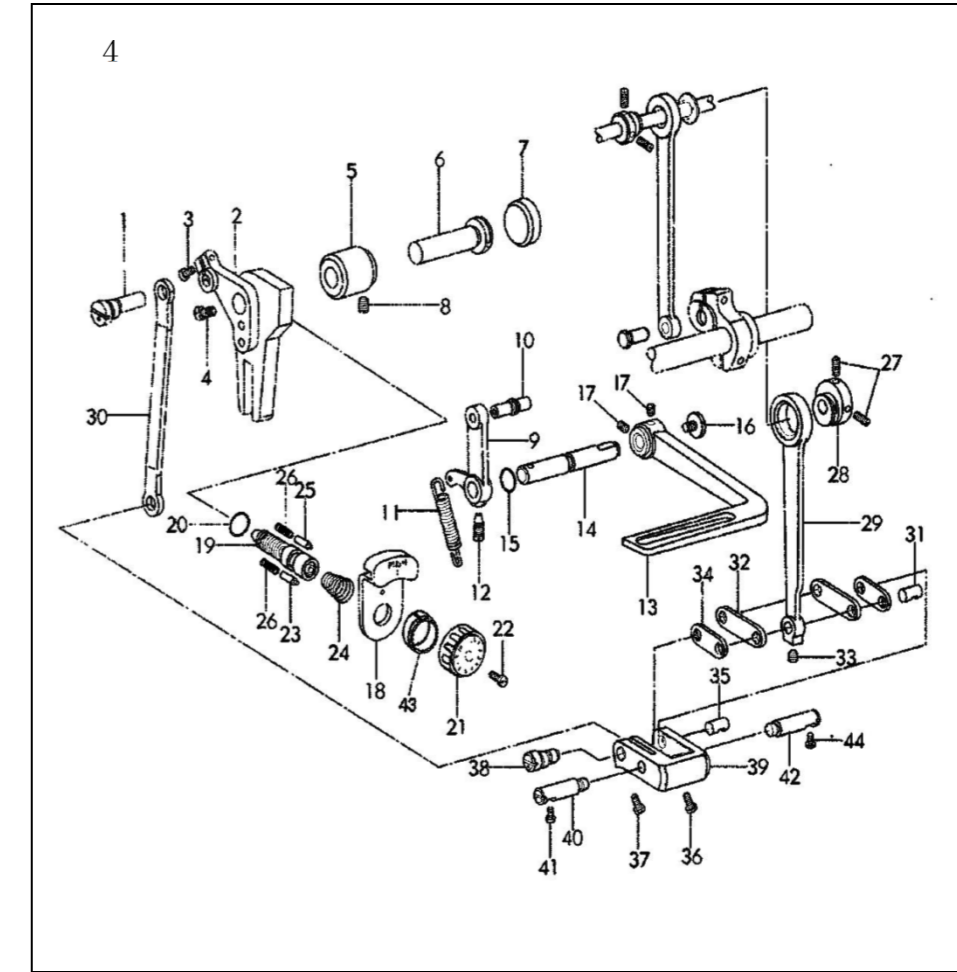
2. 上轴挑线分组件/Main shaft & thread take-up components

序号NO.	公司件号	Part NO.	名称 PartName	零件描述 Description	数量 Number
1	13502001		上轴	Main shaft	1
2	0122012		橡胶垫圈	Rubber plug	1
3	13508001		上轴套圈	Thrust collar asm.	1
4	13501004		螺钉	Screw	2
5	13503001		上轴前轴套	Main shaft bushing, front	1
6	13503002		上轴中轴套	Bushing, intermediate	1
7	13514006		螺钉	Screw	1
8	13503003		上轴后轴套	Main shaft bushing, rear	1
9	13522010		上轴后轴套油封	Main shaft	1
10	135011013		螺钉	Screw	1
11	01515001		主动轮螺钉	Screw	2
12	13510001		拾牙凸轮	Thrust collar	1
13	13515007		拾牙凸轮螺钉	Connecting rod	3
14	13528002		凸轮垫片	Thrust collar	1
15	13505001		拾牙连杆	Connecting rod	1
16	13502002		拾牙轴	Upright shaft	1
17	13525001		上轴伞齿轮	Gear asm.	1
18	13525002		拾牙伞齿轮(上)	Gear asm.	1
19	01515007		螺钉	Screw	8
20	13525003		下轴伞齿轮	Pinion asm.	1
21	13525004		拾牙伞齿轮(下)	Gear asm.	1
22	13503004		拾牙轴套(上)	Bushing, upper	1
23	13503005		拾牙轴套(下)	Upright shaft bushing, over	1
24	135080100		杆连杆挑线杆大组件	Thread take-up asm	1
25	13515009		螺钉	Screw	2
26	13503003		挑线连杆轴套	Thread take-up crank shaft	1
27	13504001		杆轴套	Counterweight	1
28	13513001		挑线曲柄螺钉	Screw	1
29	01515007		挑线曲柄定位螺钉	Screw	1
30	01515004		杆轴套	Screw	1
31	01511003		杆轴套定位螺钉	Screw	1
32	13503006		针杆上衬套	Needle bar metal, upper	1
33	0122013		针杆上衬套橡胶皮套(Φ8.5)	Cap	1
34	13503007		针杆下衬套	Needle bar metal, lower	1
35	0124001		滚针轴承	Bearing	2
36	13502001		针杆	Needle bar	1
37	13513011		针杆过线环	Needle bar thread guide	1
38	13517001		机针	Needle	1
39	01511006		螺钉	Screw	1
40	13509001		针杆接头滑块导轨	Needle bar trough	1
41	01509001		针杆接头滑块	Slide block	1
42	01511008		螺钉	Screw	2
43	13509002		针杆接头	Needle bar connection asm.	1
44	13522001		毡布	Oil felt for needle bar	2
45	13503003		垫圈	Washer plate	1
46	13505001		手轮	Hand wheel	1
47	01517001		挑线曲柄螺钉(左装)	Screw(left twist)	1
48	01511005		螺钉	Screw	1
49	13515008		螺钉	Screw	2
50	13538002		挑线连杆	Thread take-up lever crank rod	1
51	13538003		挑线杆	Thread take-up lever	1
52	13504002		挑线曲柄	Thread take-up crank	1
53	13509003		针杆连杆	Needle bar crank rod	1



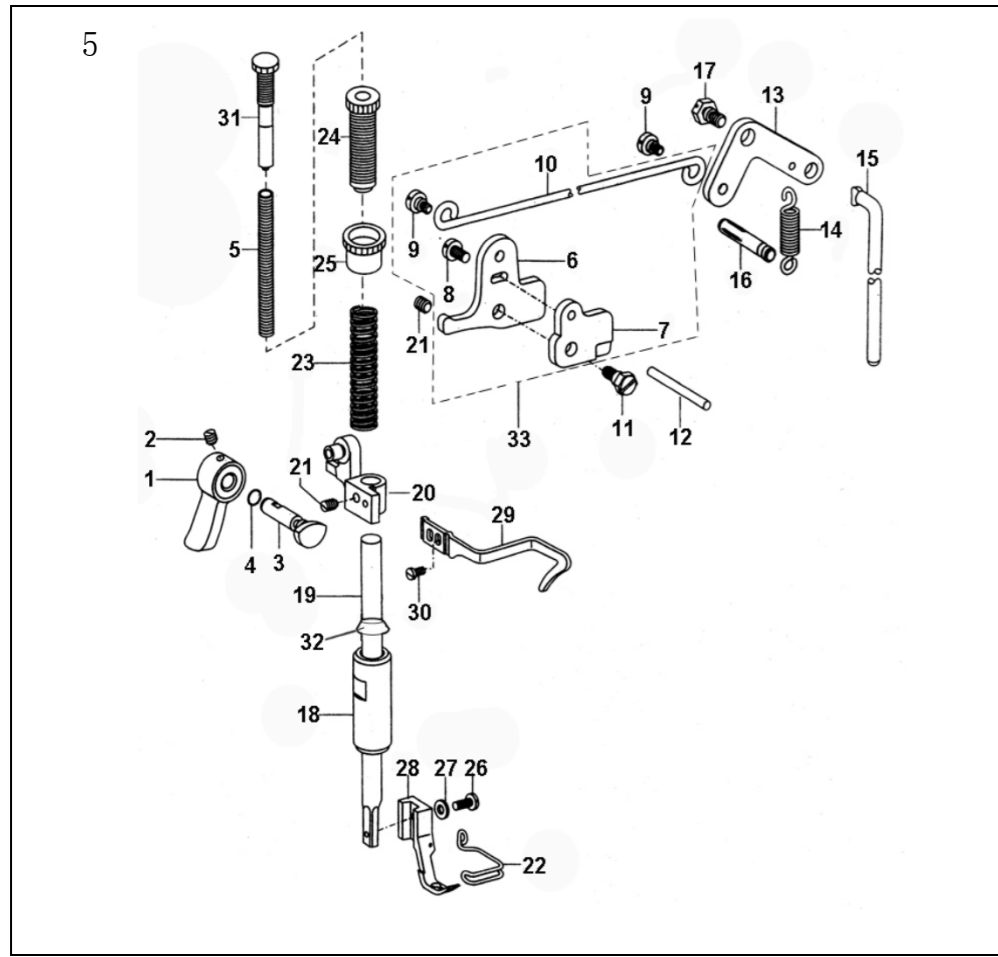
3. 拍牙、送布、勾线部件 Feed Dog Lift And Feed And Thread Looping

序号NO.	公司件号	Part NO.	名称 PartName	零件描述 Description	数量 Number
1	13514001		送布牙	Feed dog	1
2	1350700300		牙架小组件	Feed bar asm	1
3	13528004		垫圈	Washer	1
4	13502005		牙架销	Feed bar shaft	1
5	01511018		螺钉	Screw	2
6	13504003		牙架座	Feed rocker asm.	1
7	01511016		曲柄螺钉	Screw	2
8	01511008		螺钉	Screw	1
9	13502006		送布轴	Feed rocker shaft	1
10	003001		轴用弹性油封15	Retaining ring	2
11	13503008		拾牙、送布轴中轴套	Thrust collar asm.	2
12	13508001		挡圈	Thrust collar	2
13	13515004		螺钉	Screw	4
14	13504004		送布曲柄(右)	Feed rocker shaft crank asm	1
15	13526001		送布曲柄短销	Walking foot pin	1
16	01511025		螺钉	Screw	1
17	06511019		螺钉	Screw	1
18	0818502		板壳	Bobbin	1
19	0818501		板壳	Bobbin	1
20	0818001		板壳	Bobbin	1
21	13515020		板壳螺钉	Bobbin screw	3
22	13502007		下轴	Hook driving shaft	1
23	13520007		下轴滤油螺钉	Screw	1
24	11423003		下轴滤油塞	Oil seal	1
25	01122015		下轴油封	Oil seal	1
26	13503009		下轴前轴套	Bushing, front	1
27	13520008		油量调节螺钉	Oil adjusting screw	1
28	13527005		油量调节弹簧	Spring	1
29	01108002		下轴挡圈	Thrust collar asm.	1
30	01511012		螺钉	Screw	3
31	13503010		下轴后轴套	Bushing, rear	1
32	13521001		下轴轴套油管	Oil pipe for hook shaft bushing	1
33	13502008		柱塞	Plunger	1
34	13527006		柱塞弹簧	Plunger spring	1
35	13512009		挡板	Guide plate	1
36	002004		挡板螺钉弹簧垫圈6	Washer	1
37	13511019		挡板螺钉	Screw	1
38	13502009		拾牙曲柄投掷轴	Hinge pin	1
39	13504005		拾牙曲柄	Feed lifting rock shaft crank(right)	1
40	13503011		拾牙轴前轴套	Bushing for feed rock shaft(right)	2
41	13528006		拾牙叉	Washer	1
42	13505004		拾牙轴	Feed forked connection	1
43	13502010		拾牙轴	Rotating hook positioner	1
44	13512010		旋板定位勾	Screw	1
45	01511011		旋板定位勾螺钉	Screw	4
46	13515009		拾牙、下轴轴套螺钉	Screw	1
47	13515006		送布轴套螺钉	Screw	1
48	01511020		拾牙叉尖螺钉	Screw	1
49	201511027		拾牙右曲柄螺钉	Screw	2



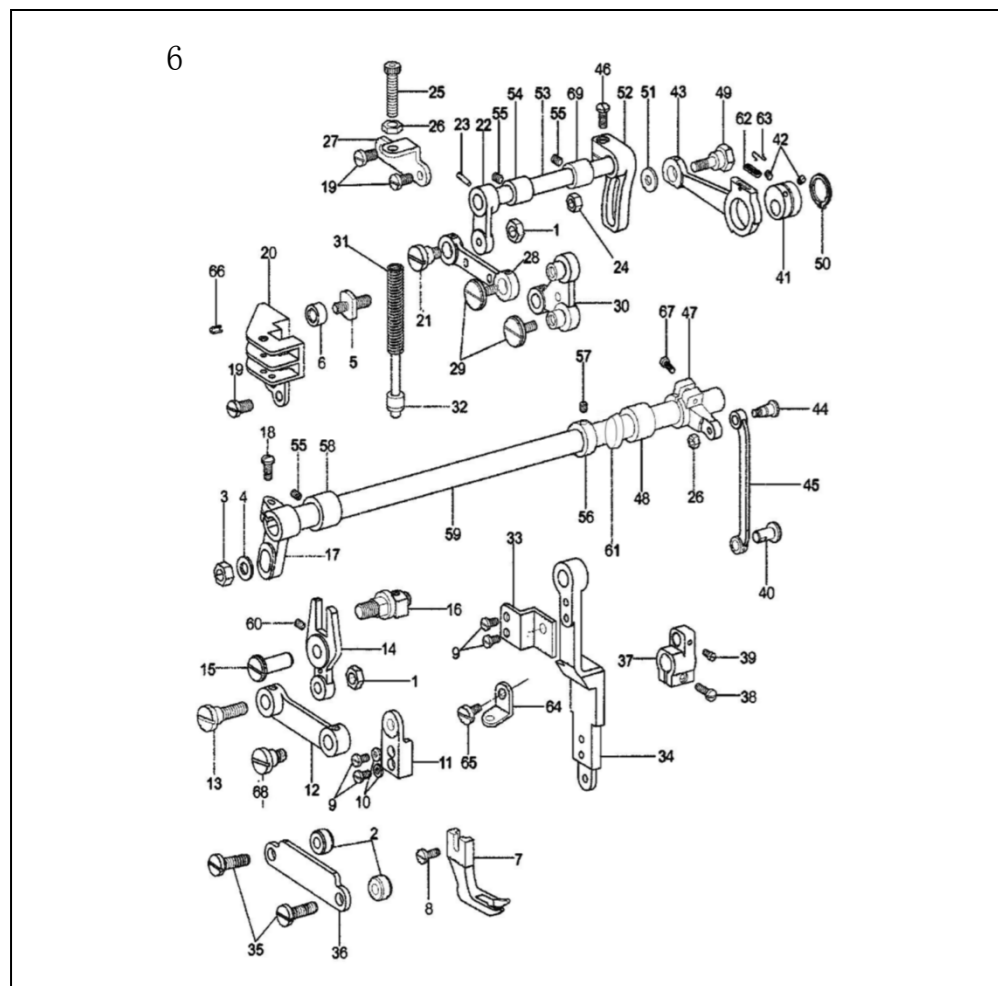
4. 送布调节部件 Feed Mechanism

序号NO.	公司件号	Part NO.	名称 PartName	零件描述 Description	数量 Number
1	13510002		针距调节连接销钉	Hinge pin	1
2	13509003		针距座	Feed regulator	1
3	01511020		针距座长螺钉	Screw	1
4	13511009		针距座短螺钉	Screw	1
5	13503012		针距座衬套	Feed regulator bushing	1
6	13502011		针距座轴	Feed regulator pin for feed regulator	1
7	13522014		橡皮塞(Φ19.5)	Rubber plug(Φ19.5)	1
8	13515009		针距座衬套紧固螺钉	Screw	1
9	13504006		倒缝操作杆曲柄	Slide block pin	1
10	13502012		操作杆曲柄滚柱	Slide block	1
11	13527007		操作杆曲柄弹簧	Spring for feed crank	1
12	13515014		操作杆曲柄螺钉	Screw	1
13	1351001		倒缝操作杆	Reverse feed lever	1
14	13502013		倒缝操作杆短轴	Reverse feed lever shaft	1
15	001045		O型圈6.3x1.8	O-ring	1
16	13511022		倒缝操作杆紧固螺钉	Screw	1
17	13511009		扳子螺钉	Screw	2
18	13512011		针距调节螺钉	Feed regulator key-press	1
19	13530003		针距调节螺钉	Feed regulator screw bar	1
20	001046		O型圈Φ5x2.5	O-ring	1
21	13511002		针距表盘	Dial	1
22	01511022		针距表盘螺钉	Dial screw	1
23	13526004		针距止动销	Dial stopper pin	1
24	13527009		针距弹簧	Dial spring for stopper pin	1
25	13526002		止动销	Stopper pin	1
26	13527008		止动销弹簧	Spring for stopper pin	1
27	13515007		送布凸轮螺钉	Screw	3
28	13510003		送布凸轮	Feed drive eccentric cam.	1
29	13505005		送布连杆	Slider shaft connecting rod	1
30	13505006		针距调节连杆	Feed regulator connecting rod	1
31	13502014		曲柄连杆长销	Walking foot link	1
32	13505007		曲柄长连杆	Walking foot pin	2
33	01511025		送布连杆螺钉	Screw	1
34	13505008		曲柄短连杆	connecting link	2
35	13526003		曲柄连杆短销	Walking foot link	1
36	201511012		短连杆销螺钉	Screw	1
37	201511007		连杆偏心轴螺钉	Screw	1
38	13502015		连杆偏心轴	Hinge pin	1
39	13504007		针距调节曲柄	Walking foot adjusting link	1
40	13502016		针距调节曲柄定位销(左)	Adjusting link fulcrum shaft	1
41	06511019		左右定位销螺钉	Screw	1
42	13502017		针距调节曲柄定位销(右)	Adjusting link fulcrum shaft	1
43	13522007		橡皮塞	Rubber plug	1
44	114x11004		左右定位销螺钉	Screw	1



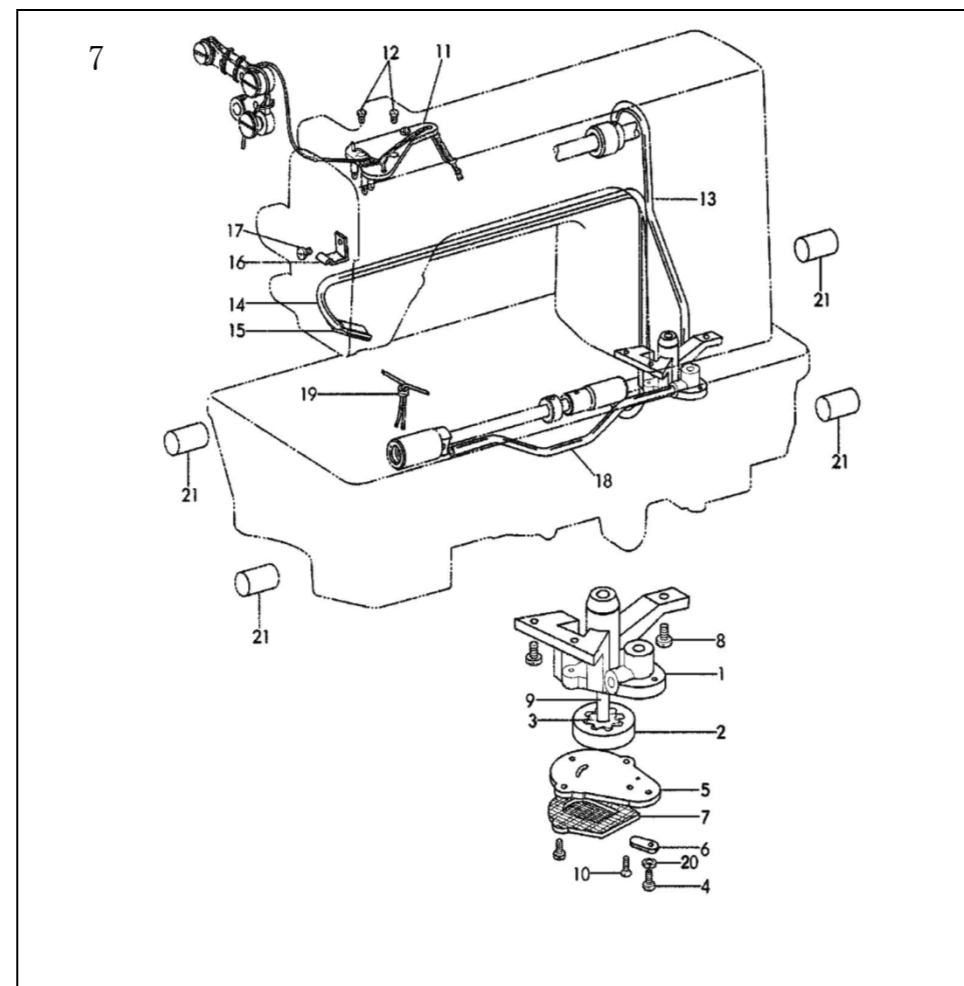
5. 压脚部件 Presser Foot

序号NO.	公司件号	Part NO.	名称PartName	零件描述Description	数量Number
1	13S11005		压脚扳手	Presser bar lifter	1
2	13S115017		压脚扳手螺钉	Set screw	1
3	13S110004		压脚杆提升凸轮	Presser bar lifting cam	1
4	901009		O-ring	O-ring	1
5	13S27012		辅助调压弹簧	Presser spring	1
6	13S12013		膝腔提升杆(左)	Knee lifter lever (left)	1
7	13S110005		松线凸轮	Tension releasing cam	1
8	13S114026		膝腔提升杆(左)螺钉	Knee lifter lever (left) screw	1
9	13S111027		铰链螺钉	Hinged screw	2
10	13S12014		膝腔提升杆	Knee lifter rod	1
11	13S111028		松线凸轮螺钉	Tension releasing pin	1
12	13S02018		松线杆	Knee lifter lever (right)	1
13	13S12015		膝腔提升杆(右)弹簧	Presser spring	1
14	13S12016		膝腔提升杆	Knee lifter connecting rod	1
15	13S26005		弹簧销	Pin for spring	1
16	13S112002		膝腔提升杆(右)螺钉	Knee lifter lever (right) screw	1
17	13S03013		压脚杆轴套	Presser bar bushing	1
18	13S02019		压脚杆	Presser bar	1
20	13S05009		压脚杆导架	Presser bar lifting bracket	1
21	13S115003		压脚杆架螺钉	Set screw	2
22	13S12017		防护勾	Defend tick off	1
23	13S27011		压脚杆弹簧	Presser spring	1
24	13S30004		调压螺钉	Lock nut	1
25	13S116003		调压螺钉锁紧螺母	Set screw	1
26	101S11009		压脚螺钉	Screw	1
27	13S28007		垫圈	Washer	1
28	13S14001		小压脚	Presser foot complete	1
29	13S13012		大线勾	Upper thread guide	1
30	101S11002		大线勾螺钉	Screw	1
31	13S33005		辅助调压螺钉	Auxiliary lock nut	1
32	10122034		压脚杆轴套	Presser bar bushing	1
33	13S120120		膝腔提升杆(左)组件	Knee lifter lever (left)asm	1



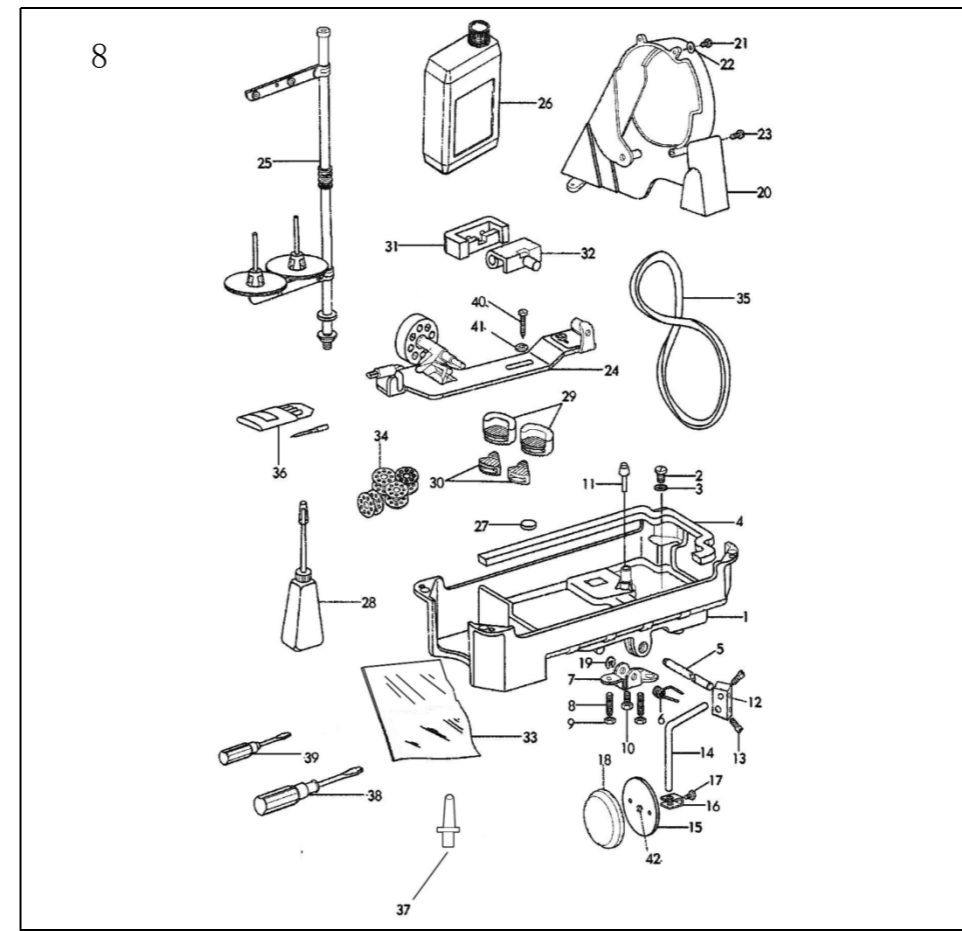
6. 上送料部件 Upper feed Parts

序号NO.	公司件号	Part NO.	名称PartName	零件描述Description	数量Number
1	13S16004		压脚送料变动连接螺母	Nut	2
2	13S08003		压脚送料压板垫块	Shim	1
3	13S16005		压脚送料连接螺母	Nut	1
4	901003		压脚送料连接垫圈	Washer	1
5	13S33006		送料曲柄轴	Shaft	1
6	13S08004		提升压脚柱轴滚柱	Needle of bearing	1
7	13S16002		压脚	Walking foot	1
8	13S11030		压脚螺钉	Screw	1
9	13S11007		摆动连杆座螺钉	Screw	4
10	902002		摆动连杆座螺钉弹簧垫圈	Washer	2
11	13S01004		摆压脚杆座	Holder for walking foot bar	1
12	13S05010		摆压脚连杆	Link of walking foot	1
13	13S20009		压脚送料变动连接螺钉	Screw	1
14	13S05011		摆压脚叉形杆	Fork lever	1
15	13S26006		摆压脚叉形杆销	Pin	1
16	13S020200		压脚送料变动曲柄轴组件	Crank shaft complete	1
17	13S04008		压脚摆动前曲柄	Presser swing shaft	1
18	13S11032		前曲柄螺钉	Screw	1
19	101S11008		提升压脚导位板螺钉	Screw	4
20	13S09004		提升压脚导位板	Lifting presser plate	1
21	13S20003		压脚送料曲柄连杆螺钉	Screw	1
22	13S04009		压脚升降前曲柄	Presser lifting crank	1
23	P02009		圆锥销	Pin	1
24	902001		六角螺母	Nut	1
25	13S30007		压脚调压螺钉	Lifting presser adjusting screw	1
26	13S16006		压脚调压螺母	Lifting presser adjusting nut	2
27	13S12018		压脚调压螺钉架	Lifting presser bracket for spring	1
28	13S05012		压脚送料曲柄连杆	Presser feed crank link	1
29	13S11034		压脚送料曲柄螺钉	Screw	2
30	13S04010		压脚送料曲柄	Presser feed crank	1
31	13S27013		压脚调压杆弹簧	Lifting presser spring	1
32	13S0202100		调压杆弹簧导柱	Presser spring guide	1
33	13S01005		提升压脚导位板	Lifting presser guide plate	1
34	13S01006		压脚杆	Presser rod guide	1
35	11611005		提升压脚连接板螺钉	Screw	2
36	13S12019		提升压脚连接板	Lifting presser away crank guide pin	1
37	13S04011		送布轴曲柄(中)	Feed rocker shaft crank asm	1
38	101S11016		送布轴曲柄(中)螺钉	Screw	1
39	101S11025		大送料曲柄连接销	Screw	1
40	13S20004		大送料曲柄连接销	Screw	1
41	13S10006		压脚升降偏心轮	Eccentric wheel	1
42	101S15007		螺钉	Eccentric wheel rod	2
43	13S05013		连杆	Screw	1
44	13S20005		压脚摆动后曲柄连杆螺钉	Screw	1
45	13S05014		压脚摆动后曲柄	Presser swing crank(right)rod	1
46	13S11035		偏心连杆调节曲柄螺钉	Screw	1
47	13S04012		压脚摆动后曲柄	Presser swing crank(right)	1
48	13S03014		压脚摆动轴衬套	Presser swing shaft bushing (right)	1
49	13S30006		轴衬套	Screw	1
50	902012		C型轴衬套	C-type stop ring	1
51	13S28008		垫圈	Washer	1
52	13S04013		偏心连杆调节曲柄	Presser lifting shaft	1
53	13S02022		压脚升降轴	Shaft	1
54	13S03015		压脚提升轴套	Presser lifting shaft bushing	1
55	13S15008		压脚轴套螺钉	Screw	3
56	13S08001		垫圈	Thrust collar asm.	1
57	13S15004		压脚轴套	Screw	2
58	13S08006		压脚摆动轴衬套	Presser swing shaft bushing (left)	1
59	13S02023		压脚摆动轴	Presser swing shaft	1
60	13S15018		压脚叉形杆螺钉	Screw	1
61	114220800		压脚叉形杆	Oil seal	1
62	13S23002		压脚叉形杆油毡	Oil felt for needle bar	1
63	13S27015		偏心轮送料轴压簧	Spring	1
64	13S12020		提升压脚导架	Lifting presser guide plate	1
65	13S11036		导架螺钉	Screw	1
66	P03035		弹性圆柱销	Spring plug	2
67	13S13002		后曲柄螺钉	Screw	1
68	13S20011		压脚送料连杆螺钉	Screw	1
69	13S03016		压脚提升后轴套	Presser lifting shaft bushing	1



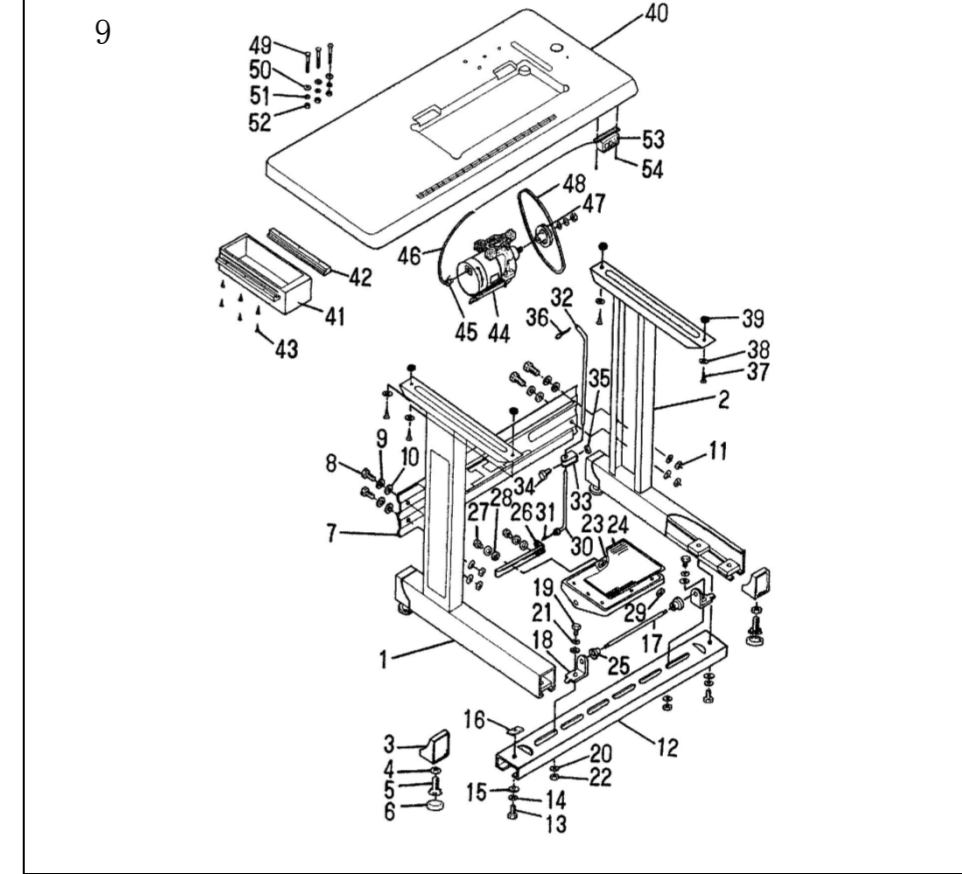
7. 油泵部件 Oil pump and Lubrication mechanism

序号NO.	公司件号	Part NO.	名称PartName	零件描述Description	数量Number
1	13S20001		油泵	Oil pump	1
2	13S20005		大齿轮	Big gear for oil pump	1
3	13S20006		小齿轮	Small gear for oil pump	1
4	13S11007		油泵衬套螺钉	Screw	3
5	13S12003		油泵衬套	Lower for oil pump	1
6	13S12002		油泵衬套垫圈	Adjusting plate for oil pump	1
7	13S120200		油泵衬套组件	Filter complete	1
8	10S11019		油泵衬套螺钉	Screw	3
9	13S60204		油泵轴套	Shaft for oil pump	1
10	902021		油泵衬套垫圈	Screw	2
11	13S1202400		油泵衬套垫圈	Oil wick set plate complete	1
12	10S11010		油泵衬套垫圈	Screw	2
13	13S1200700		上轴油管组件	Oil pipe complete for upper shaft	1
14	42221001		回油管	Oil return pipe	1
15	13S20003		回油管油毡	Oil felt	1
16	13S12025		回油管夹	Pipe return pipe clamp	1
17	201S1014		回油管螺钉	Screw	1
18	13S1200800		下轴油管组件	Oil pipe for arm shaft	1
19	1042304		油毡	Oil wick	1
20	902002		弹簧垫圈	Spring washer	1
21	13S23005		羊毛毡	Oil felt	4



8. 附件 Oil Reservoir Accessories

序号NO.	公司件号	Part NO.	名称PartName	零件描述Description	数量Number
1	13S01007		油盘	Oil reservoir	1
2	13S11041		放油螺钉	Screw	1
3	901047		放油螺钉垫圈	Washer	1
4	13S23006		油盘垫	Gasket	1
5	13S02025		控制铰链轴	Hinge pin	1
6	13S27014		膝腔复位弹簧	Spring	1
7	13S12026		膝腔限位架	Knee lifter stop bracket	1
8	13S15019		膝腔限位调节螺钉	Screw	2
9	901029		调节螺母	Nut	2
10	13S12003		膝腔限位架螺钉	Screw	1
11	13S11006		膝腔提升顶杆	Knee lifter prop bar	1
12	10101006		插块带杆接头	Connector	2
13	101s12003		插板	Screw	1
14	10112028		插板	Best rod	1
15	10112029		插板	Bell	1
16	10112030		插板杆接头	Bell bracket	1
17	101s12004		螺钉	Screw	1
18	10122024		插板垫	Pat	1
19	H05011		开口挡圈	Split stop ring	1
20	13S1100700		皮带罩组件	Belt guard complete	1
21	S01002		皮带罩螺钉(小)	Screw(small)	6
22	W01006		皮带罩螺钉垫圈	Washer	2
23	S01011		皮带罩螺钉(大)	Screw(big)	2
24	1163101600		绕线器组件	Thread winder complete	1
25	1013100700		绕线器组件	Spool stand complete	1
26	1011101200		油箱	Oil tank	1
27	10131001		磁块	Magnet	1
28	20131038		小油泵	Oil pot	1
29	10122023		机头防震垫块(大)	Cushion(big)	2
30	10122022		机头防震垫块(小)	Cushion(small)	2
31	10122060		机壳胶套	Rubber coat	2
32	1011203100		机壳胶套	Hing	2
33	40131017		防尘罩	Machine head cover	1
34	10S18501		绕线器	Bobbin	1
35	10135002		V型皮带	V-type belt	1
36	13S17001		机针	Needle	4
37	10111011		机头支柱	Frame support bar	1
38	10131003		螺钉起子(中)	Screw driver(middle)	1
39	10131004		螺钉起子(小)	Screw driver(small)	1
40	101S30014		绕线器自攻螺钉	Roof screw	2
41	10128008		绕线器螺钉垫圈	Washer	2
42	10122025		橡胶杆垫	Rubber	1



9. 机架、台板、电器分组件 Machine Stand, Table, Electric Appliance Components

序号NO.	公司件号	Part NO.	名称PartName	零件描述Description	数量Number
1	1011204200		边架部件(左)	Stand side asm left	1
2	1011204300		边架部件(右)	Stand side asm right	1
3	10111015		橡胶垫圈	Rubber cushion	4
4	901010		螺母	Nut	4
5	101s30015		调节座	Space ring	4
6	10122029		调节座橡胶	Stand side support	1
7	10112044		螺钉	Screw	4
8	E02014		螺钉连接螺栓	Spring washer	4
9	10128011		垫圈	Washer	4
10	901010		垫圈	Nut	4
11	901011		螺母	Nut	4
12	10112045		踏板轴	Treadle brace	1
13	E02014		踏板轴螺栓	Screw	2
14	10128011		垫圈	Spring washer	2
15	901010		垫圈	Washer	2
16	10112046		踏板轴定位螺母板	Treadle brace locknut plate	2
17	10102013		踏板轴	Treadle shaft	1
18	10112047		踏板轴座	Treadle bracket	2
19	E02014		踏板轴螺栓	Screw	2
20	901010		垫圈	Washer	4
21	10128011		弹簧垫圈	Spring washer	2
22	901011		螺母	Nut	2
23	10112048		踏板	Treadle	1
24	1012030		踏板垫	Gas Ket	1
25	10103023		踏板衬套	Coller	2
26	10112049		踏板杆	Treadle pitman	1
27	E02015		踏板杆螺栓	Screw	2
28	901003		垫圈	Washer	4
29	901012		螺母	Nut	2
30	10112050		下拉杆	Pitman rod, lower	1
31	10127019		拉杆弹簧	Spring	1
32	10112051		上拉杆	Pitman rod, lower	1
33	10112052		拉杆接头	Joint	1
34	E02015		拉杆接头螺栓	Joint screw	1
35	901012		螺母	Nut	1
36	10129001		上拉杆开口销	Pitman rod split pin (upper)	1
37	101s30016		台板木螺钉	Table Wood screw	4
38	10128012		垫圈	Table Wood screw washer	4
39	10128013		台板垫圈	Table washer	4
40	10132002		台板	Table	1
41	10111016		抽斗	Drawer	1
42	10111017		抽斗导轨	Drawer rail	2
43	101s30017		抽斗导轨木螺钉	Drawer rail wood screw	6
44	10133001		GFC4024型电机	Motor GFC4024 motor	1
45	10130002		电机接线插头	Motor connecting wire plug	1
46	10130003		电机接线	Motor wire	1
47	10135004		电动机滑轮	Motor pulley	1
48	10135002		机头传动带	Machine driving belt	1
49	101s30018		螺钉	Screw	3
50	10128014		垫圈	Washer	3
51	10128011		弹簧垫圈	Spring washer	3
52	901011		螺母	Nut	3
53	10130004		电源开关	Power course swith	1
54	101s30019				