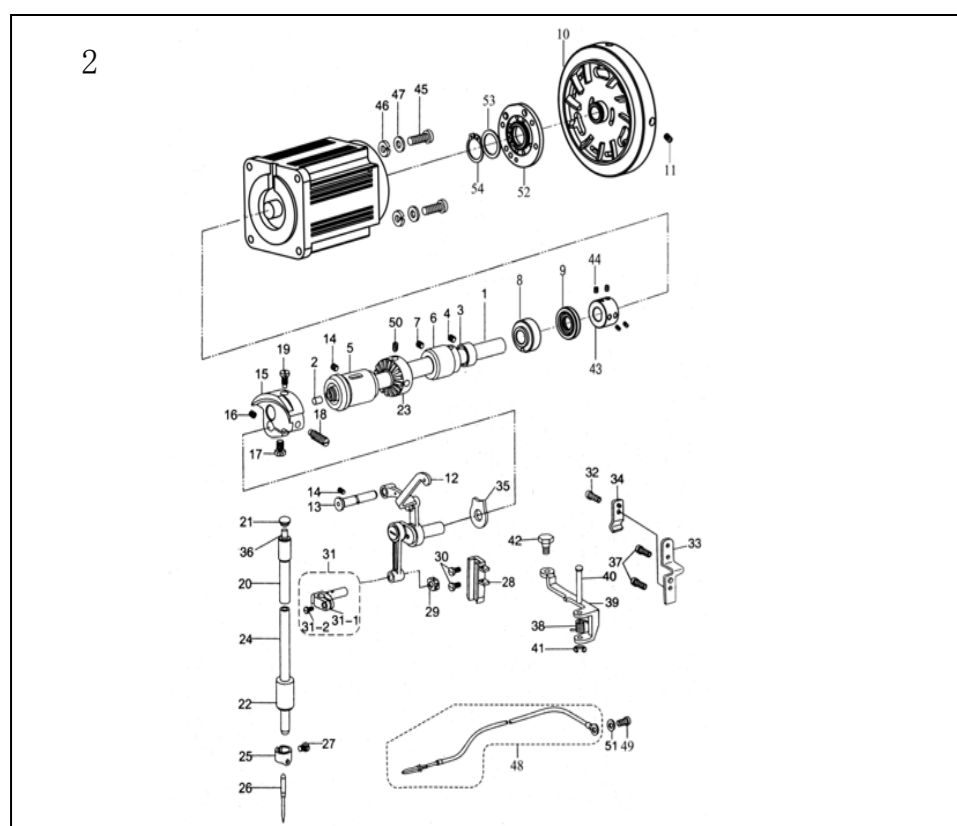


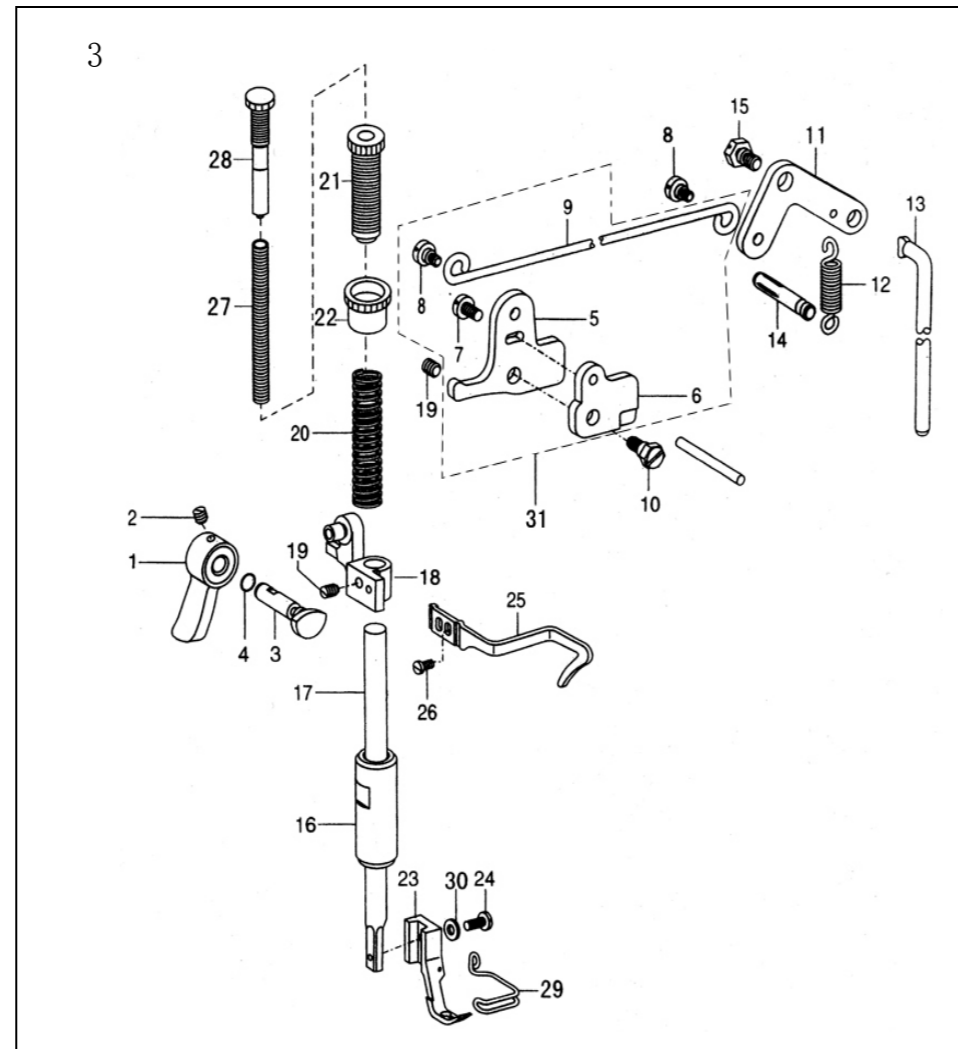
1. 机壳、外装分组件/Machine frame & miscellaneous cover components

序号NO.	公司件号	Part NO.	名称 PartName	零件描述 Description	数量 Number
1	13581003		面板	Face plate	1
2	101511025		面板螺钉	Screw	1
2-1	135811047		面板螺钉	Screw	2
3	13512003		面板线勾	Arm thread guide	1
4	13513009		线勾	Arm thread guide	1
5	101511005		线勾螺母	Screw	3
6	1351300100		小夹线组件	BOBBIN THREAD TENSION ASM	1
6-1	13512005		小夹线过线板	BOBBIN THREAD TENSION ROD	1
6-2	135830001		小夹线螺钉	BOBBIN THREAD TENSION BOP	1
6-3	13513002		小夹线板	THREAD TENSION DISK	2
6-4	13627001		小夹线弹簧	CONNECTING ROD SPRING	1
6-5	1015110016		小夹线螺母	NUT	1
7	135811001		小夹线固定螺钉	FRAME THREAD GUIDE	1
8	13513019		下勾线	FRAME TENSION ARM	1
9	136030000		夹线螺母	Thread tension post	1
9-1	135830002		夹线螺母	Tension nut	1
9-2	101511001		夹线螺母	Tension nut	1
9-3	13527002		夹线弹簧	Thread tension spring	1
9-4	13513004		控线板	disk stopper	1
9-5	13513005		夹线板	Thread tension disk	2
9-6	13527003		夹线簧	Takeup spring	1
9-7	13513006		夹线调节座	Thread tension post base	1
9-8	101511005		夹线螺母止动板	Screw	1
9-10	13513008		夹线螺母止动板	Tension disc stopper	1
9-11	901050		衬圈	Ring 4.5x1.5	1
10	135811001		夹线调节固定螺钉	Screw	1
11	13512006		夹线调节护罩	Thread take-up lever cover	1
12	101511016		夹线调节护罩螺钉	Screw	1
13	13613001		控线钉	Thread release pin	1
14	13613002		控线钉	Thread release pin	1
17	13522001		橡皮塞 (Φ19)	Rubber plug Φ19	1
18	10112002		橡皮底座	Ruler stop seat	1
19	101511002		螺钉	Screw	2
20	13582001		底座螺钉 (尾部)	Bed screw stud(tail)	2
21	902004		弹簧垫圈	Spring washer	4
24-1	13515002		面板	Slide plate	1
24-2	13512007		面板螺钉	Slide plate spring	2
25	13515001		衬板	Throat plate	1
26	101511002		衬板螺钉	Screw	2
27	1142100100		橡胶器组件	rubbin window unit	1
28	11411003		橡胶器固定螺钉	Rubber plug Φ18.5	3
29	11419001		切线刀	THREAD CUTTER	1
30	101511005		螺钉	SCREW	2
31	1021301400		螺线夹线器组件	BOBBIN THREAD TENSION ASM	1
32	135820010		底座螺钉 (头部)	Bed screw stud(head)	2



2. 上轴挑线分组件/Main shaft & thread take-up components

序号NO.	公司件号	Part NO.	名称 PartName	零件描述 Description	数量 Number
1	13602010		上轴	Main shaft	1
2	10122012		上轴橡皮塞	Rubber plug	1
3	13580001		上轴螺母	Thrust collar nut	1
4	135810001		上轴前圈螺钉	Thrust collar nut	2
5	13602001		上轴前圈套	Main shaft bushing, front	1
6	13582002		上轴中圈套	Bushing, intermediate	1
7	135815006		上轴中圈螺钉	Screw	1
8	13603017		上轴后套	Main shaft bushing, back	1
9	13522010		上轴后圈套	Main shaft	1
10	13685002		主动轮	Screw	1
11	1350909		主动轮螺母	Screw	2
12	13580003		挑线杆组件	Thread take-up arm	1
13	13582003		挑线杆轴链螺母	Thread take-up crank shaft	1
14	135815009		挑线杆轴链螺母	Screw	2
15	13580001		针杆曲柄	Counterweight	2
16	135812001		挑线曲柄螺钉	Screw	1
17	101511007		挑线曲柄定位螺钉	Screw	1
18	101515004		针杆曲柄螺母	Screw	1
19	135811002		针杆曲柄定位螺钉	Screw	2
20	135830006		针杆上衬套	Needle bar metal, upper	1
21	10122013		针杆上衬套橡皮塞 (Φ8.5)	Cup	1
22	13603003		针杆下衬套	Needle bar metal, lower	1
23	11425013		针杆轴	BTW-DRIVING-WHEEL	1
24	13602002		针杆	Needle bar	1
25	13513011		针杆过线环	Needle bar thread guide	1
26	135817001		针杆	Needle	1
27	101511008		针杆螺钉	Screw	1
28	13605001		滑块	Needle bar trough	1
29	11409001		针杆头滑块	Slide block	1
30	101511008		针杆头螺钉	Screw	2
31	10158002		针杆头	Needle bar connection arm	1
31-1	101511005		针杆头螺钉	Screw	1
31-2	101511009		挑线杆固定螺钉	Screw	1
32	13612001		挑线杆螺母固定架	Screw	1
33	13612002		挑线杆螺母	Screw	1
34	13528003		垫片	Washer plate	1
35	13622001		针杆上轴套毛毡	Oil felt for needle bar	2
37	10141010		挑线杆螺母固定架螺钉	Screw	2
38	13627002		挑线杆螺母	挑线杆螺母	1
39	13612003		挑线杆螺母	挑线杆螺母	1
40	13628001		挑线杆螺母	挑线杆螺母	1
41	805024		开口挡圈	RETAINING RING	1
42	136512001		挑线杆螺母	Screw	1
43	13603018		挑线杆螺母	Screw	1
44	13602701		挑线杆螺母	Screw	4
45	114513001		挑线杆螺母	Screw	4
46	13582009		挑线杆螺母	Screw	4
47	13603005		挑线杆螺母	Screw	1
48	13582008		挑线杆螺母	Screw	1
49	803411005		挑线杆螺母	Screw	1
50	112514002		挑线杆螺母	Screw	2
51	401006		挑线杆螺母	Screw	2
52			挑线杆螺母	Screw	1
53			挑线杆螺母	Screw	1
54			挑线杆螺母	Screw	1

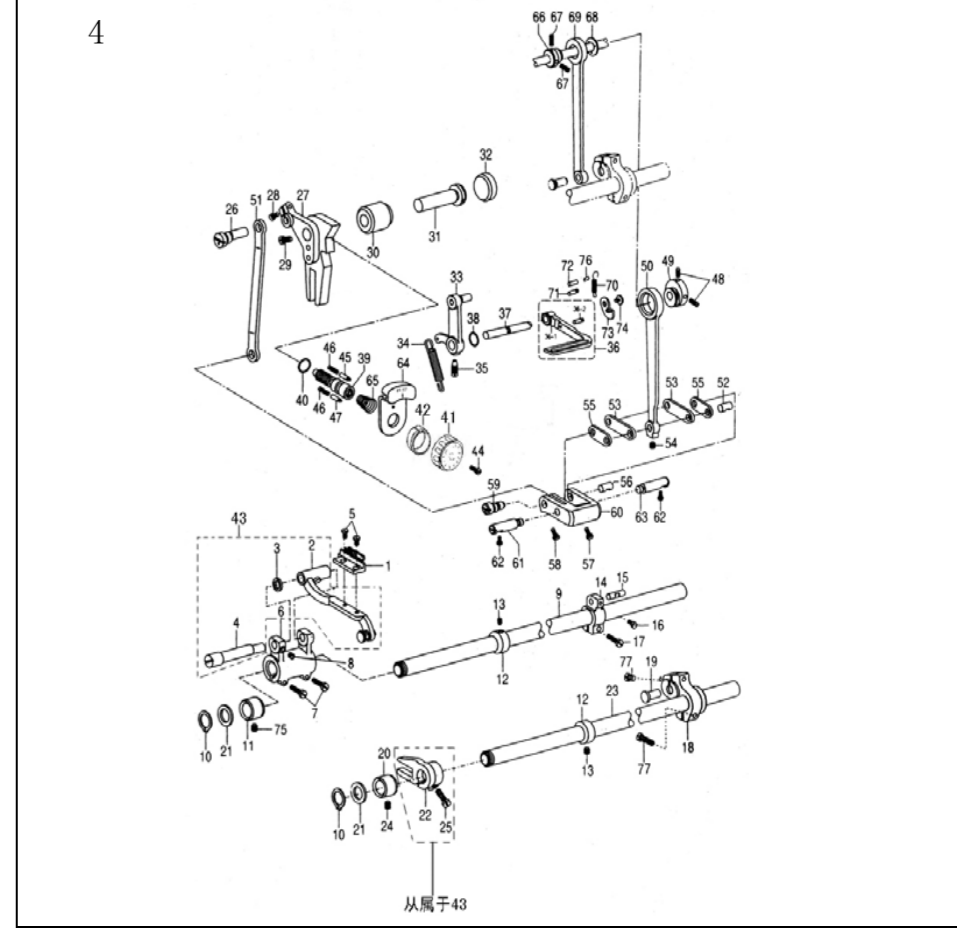


3. 压料分组件/Presser bar components

序号NO.	公司件号	Part NO.	名称 PartName	零件描述 Description	数量 Number
1	13511005		压脚扳手	Presser bar lifter	1
2	135110017		压脚扳手螺钉	Set screw	1
3	13510004		压脚扳手凸轮	Presser bar lifting cam	1
4	901009		压脚扳手凸轮油封	O-ring	1
5	13512013		压脚扳手凸轮 (左)	Presser bar lifter lever (left)	1
6	13510005		压脚扳手凸轮 (右)	Tension releasing cam	1
7	135811026		压脚扳手凸轮 (左) 螺钉	Presser bar lifter lever (left) screw	1
8	135811027		压脚扳手凸轮 (右) 螺钉	Presser bar lifter lever (right) screw	1
9	10152013		压脚扳手凸轮	Presser bar lifter rod	1
10	135811028		压脚扳手凸轮	Screw	1
11	13512015		压脚扳手凸轮 (左)	Presser bar lifter lever (left)	1
12	13527010		压脚扳手凸轮 (右) 弹簧	Presser bar lifter lever (right) spring	1
13	135812010		压脚扳手凸轮 (右) 螺钉	Presser bar lifter lever (right) screw	1
14	13528005		压脚扳手凸轮	Pin for spring	1
15	135812002		压脚扳手凸轮 (右) 螺钉	Presser bar lifter lever (right) screw	1
16	13580013		压脚扳手凸轮	Presser bar bushing	1
17	13580019		压脚扳手	Presser bar	1
18	13580009		压脚扳手导架	Presser bar lifting bracket	1
19	135815003		压脚扳手螺钉	Set screw	1
20	13527011		压脚扳手弹簧	Presser bar spring	1
21	135830004		压脚扳手螺母	Lock nut	1
22	135816003		压脚扳手螺母	Set screw	1
23	13516001		压脚扳手螺母	Presser bar complete	1
24	101511009		压脚扳手螺母	Screw	1
25	13513012		压脚扳手螺母	Upper thread guide	1
26	101511002		压脚扳手螺母	Screw	1
27	135830005		压脚扳手螺母	Auxiliary lock nut	1
28	13527012		压脚扳手螺母	Presser bar spring	1
29	13512017		压脚扳手螺母	Defend tick off	1
30	13582807		压脚扳手螺母	Washer	1
31	1351201300		压脚扳手螺母 (左) 组件	Presser bar lifter lever (left) assembly	1

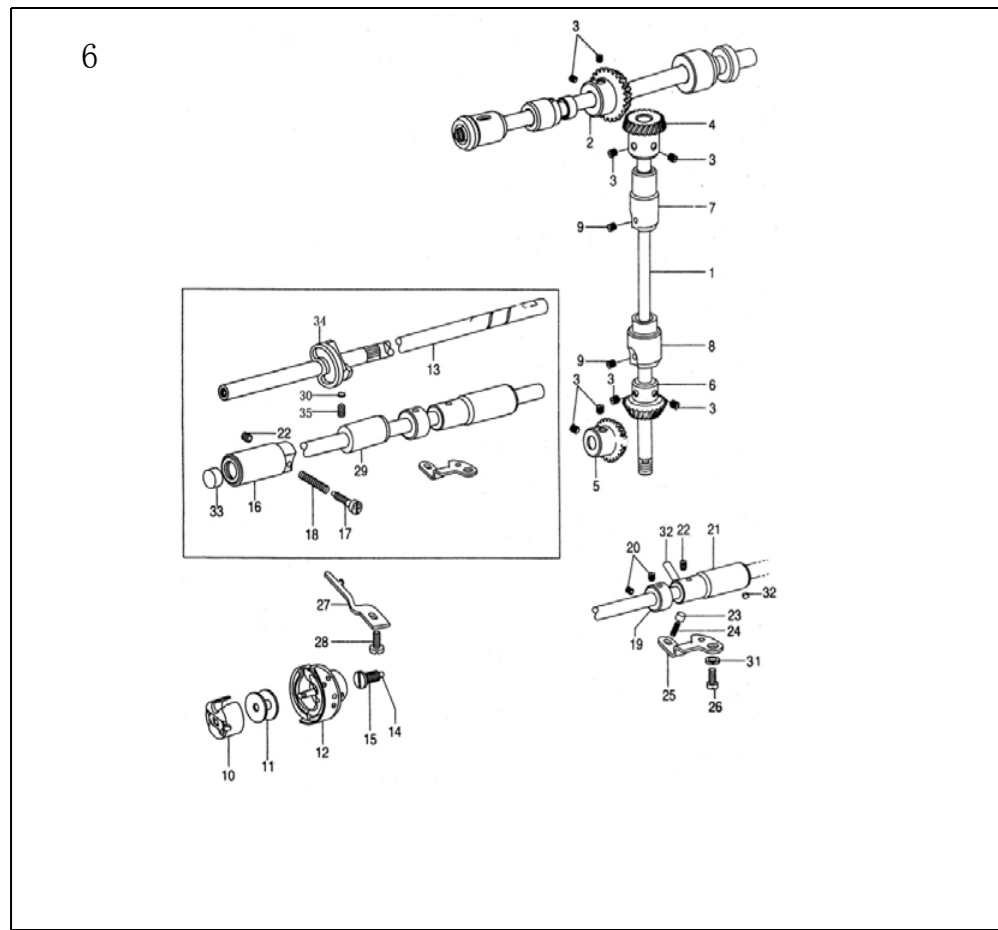
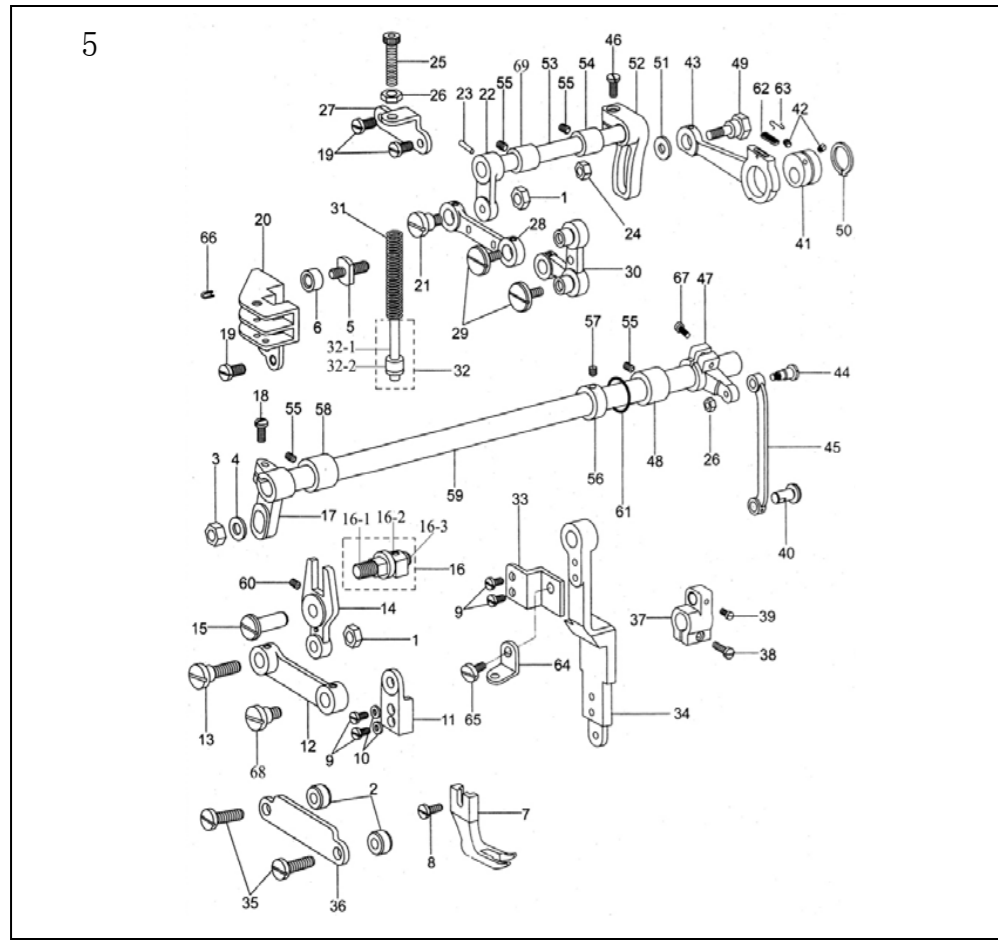
4. 送料分组件/Feed mechanism components

序号NO.	公司件号	Part NO.	名称 PartName	零件描述 Description	数量 Number
1	13618001		送料钩	Feed dog	1
2	1358700300		送料钩组件	Feed bar arm	1
3	13528004		送料钩垫圈	Washer	1
4	13580005		送料钩轴套	Feed bar shaft	1
5	101511018		送料钩轴套	Washer	2
6	13584003		送料钩轴套	Feed bar shaft	1
7	101511016		送料钩轴套	Washer	2
8	101511008		送料钩轴套	Feed bar shaft	1
9	13622003		送料钩轴套	Washer	2
10	803001		送料钩轴套	Retaining ring	2
11	13603004		送料钩轴套	Bushing for feed rock shaft(right)	1
12	13580801		送料钩轴套	钩牙、送料轴套	2
13	135815004		送料钩轴套	送料钩轴套	4
14	13584004		送料钩轴套 (右)	送料钩轴套 (右)	1
15	13582001		送料钩轴套	送料钩轴套	1
16	101511019		送料钩轴套 (右) 螺钉	送料钩轴套 (右) 螺钉	1
17	13584005		送料钩轴套 (右) 螺钉	送料钩轴套 (右) 螺钉	1
18	13580009		送料钩轴套	送料钩轴套	4
19	13582009		送料钩轴套	送料钩轴套	4
20	13603005		送料钩轴套	送料钩轴套	1
21	13582008		送料钩轴套	送料钩轴套	1
22	13580004		送料钩轴套	送料钩轴套	1
23	13602004		送料钩轴套	送料钩轴套	2
24	135815009		送料钩轴套	送料钩轴套	2
25	101511020		送料钩轴套	送料钩轴套	1
26	13584002		送料钩轴套	送料钩轴套	1
27	13580003		送料钩轴套	送料钩轴套	1
28	101511020		送料钩轴套	送料钩轴套	1
29	135811009		送料钩轴套	送料钩轴套	1
30	13580012		送料钩轴套	送料钩轴套	1
31	13582014		送料钩轴套	送料钩轴套	1
32	13580011		送料钩轴套	送料钩轴套	1
33	135801400		送料钩轴套	送料钩轴套	1
34	13627008		送料钩轴套	送料钩轴套	1
35	135815014		送料钩轴套	送料钩轴套	1
36	1360100500		送料钩轴套	送料钩轴套	1
36-1	13601005		送料钩轴套	送料钩轴套	1
36-2	13638002		送料钩轴套	送料钩轴套	1
37	13602005		送料钩轴套	送料钩轴套	1
38	901045		送料钩轴套	送料钩轴套	1
39	135830003		送料钩轴套	送料钩轴套	1
40	901046		送料钩轴套	送料钩轴套	1
41	13511002		送料钩轴套	送料钩轴套	1
42	1358700200		送料钩轴套	送料钩轴套	1
43	101511022		送料钩轴套	送料钩轴套	1
44	13528002		送料钩轴套	送料钩轴套	1
45	13527008		送料钩轴套	送料钩轴套	2
46	13528004		送料钩轴套	送料钩轴套	2
47	135815007		送料钩轴套	送料钩轴套	3
48	13510003		送料钩轴套	送料钩轴套	1
49	13580005		送料钩轴套	送料钩轴套	1
50	13580006		送料钩轴套	送料钩轴套	1
51	13580006		送料钩轴套	送料钩轴套	1
52	13580014		送料钩轴套	送料钩轴套	1
53	13580007		送料钩轴套	送料钩轴套	1
54	101511025		送料钩轴套	送料钩轴套	1
55	13580008		送料钩轴套	送料钩轴套	1
56	13580003		送料钩轴套	送料钩轴套	1
57	101511012		送料钩轴套	送料钩轴套	1
58	101511007		送料钩轴套	送料钩轴套	1
59	13580015		送料钩轴套	送料钩轴套	1
60	13580007		送料钩轴套	送料钩轴套	1
61	13580016		送料钩轴套	送料钩轴套	1
62	101511019		送料钩轴套	送料钩轴套	2
63	13580017		送料钩轴套	送料钩轴套	1
64	13512011		送料钩轴套	送料钩轴套	1
65	13527009		送料钩轴套	送料钩轴套	1
66	13581001		送料钩轴套	送料钩轴套	1
67	13581007		送料钩轴套	送料钩轴套	1
68	13580002		送料钩轴套	送料钩轴套	3
69	13580001		送料钩轴套	送料钩轴套	1
70	13627003		送料钩轴套	送料钩轴套	1
71	13580003		送料钩轴套	送料钩轴套	1
72	12920001		送料钩轴套	送料钩轴套	1
73	13612004		送料钩轴套	送料钩轴套	1
74	136830001		送料钩轴套	送料钩轴套	1
75	101511012		送料钩轴套	送料钩轴套	1
76	12921005		送料钩轴套	送料钩轴套	1
77	101511027		送料钩轴套	送料钩轴套	1



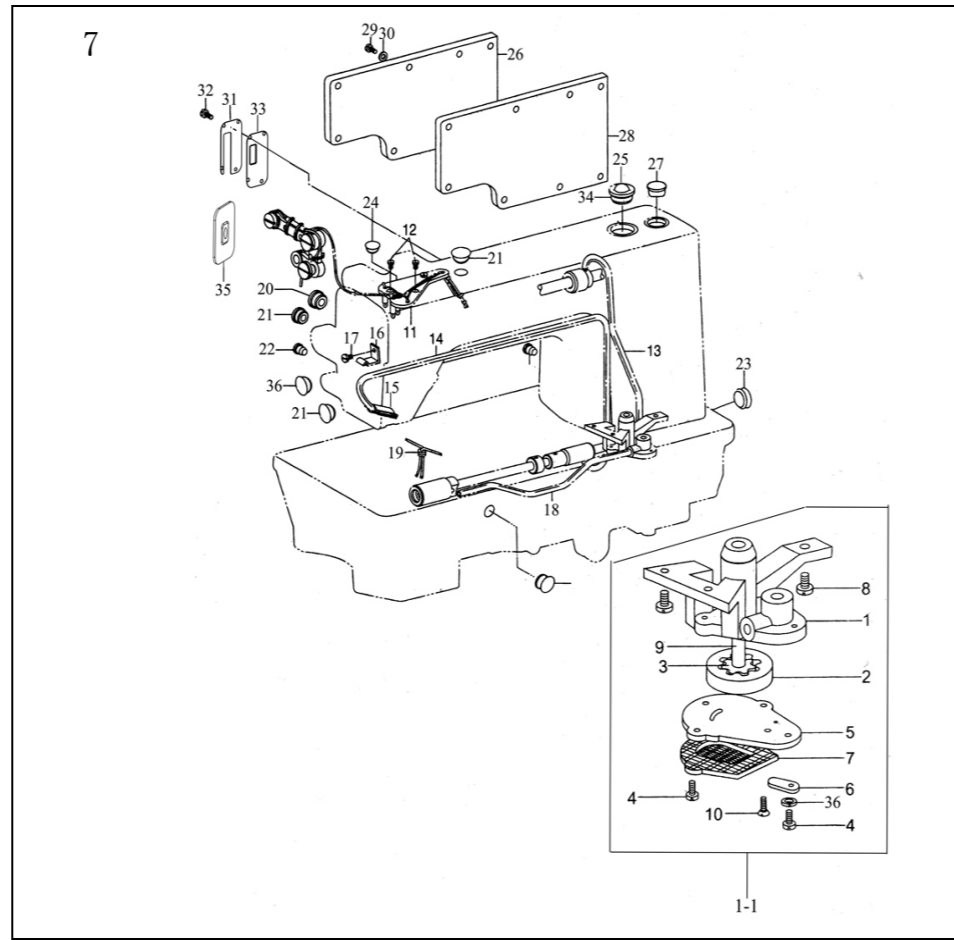
5. 送料分组件/Feed mechanism components

序号NO.	公司件号	Part NO.	名称 PartName	零件描述 Description	数量 Number
1	135816004		送料钩轴套	送料钩轴套	2
2	13580003		送料钩轴套	送料钩轴套	2
3	135816005				



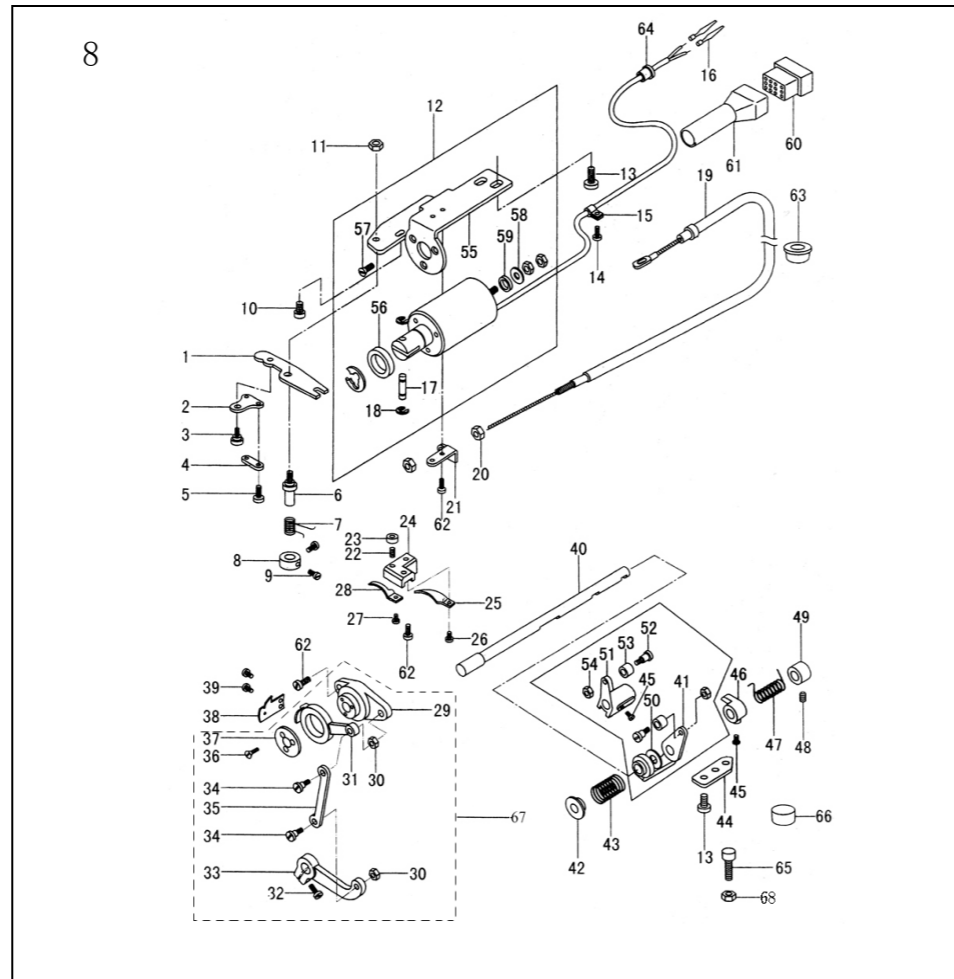
6. 旋梭部件 Hook components

序号NO.	公司件号 Part NO.	名称PartName	零件描述Description	数量Number
1	13502002	弹簧轴	Spring shaft	1
2	13525001	上轴伞齿轮	Gear asm.	1
3	101115007	螺钉	Screw	8
4	13525002	弹簧伞齿轮 (上)	Gear asm.	1
5	13525003	下轴伞齿轮	Pinion asm.	1
6	13525004	弹簧伞齿轮 (下)	Gear asm.	1
7	13503004	弹簧轴套 (上)	Bushing, upper	1
8	13603005	弹簧轴套 (下)	Spring shaft bushing, over	1
9	135515008	弹簧轴套螺钉	Screw	2
10	13618001	梭心组件	Bobbin asm.	1
11	10818501	梭芯	Bobbin	1
12	13618003	梭壳组件	Bobbin asm.	1
13	13602006	下轴	Hook driving shaft	1
14	11423003	下轴油塞	Oil wick	1
15	135520007	下轴油塞螺钉	Screw	1
16	13603006	下轴前护套	Bushing, front	1
17	135520008	下轴调节螺钉	Oil adjusting screw	1
18	13527005	下轴调节弹簧	Spring	1
19	101109002	下轴调节弹簧	Thrust collar asm.	1
20	101511012	下轴轴套螺钉	Screw	2
21	13603009	下轴轴套 (右)	Bushing, rear	1
22	135515009	下轴轴套螺钉	Screw	2
23	13502006	柱基	Flange	1
24	13527006	柱基弹簧	Flange spring	1
25	13512009	档板	Slide plate	1
26	13551019	档板螺钉	Screw	1
27	13612005	旋梭定位钩	Rotating hook positioner	1
28	101511011	旋梭定位钩螺钉	Screw	1
29	13603010	下轴中轴套	Bushing, middle	1
30	13628003	切线凸轴螺钉垫片	Washer	2
31	002004	档板螺钉弹簧垫圈	Washer	1
32	13521001	下轴轴套油管	Oil pipe for hook shaft bushing	1
33	13522001	下轴油封	Flange	1
34	13610003	切线凸轴	Thread trimmer cam	1
35	116514005	切线凸轴螺钉	Screw	2



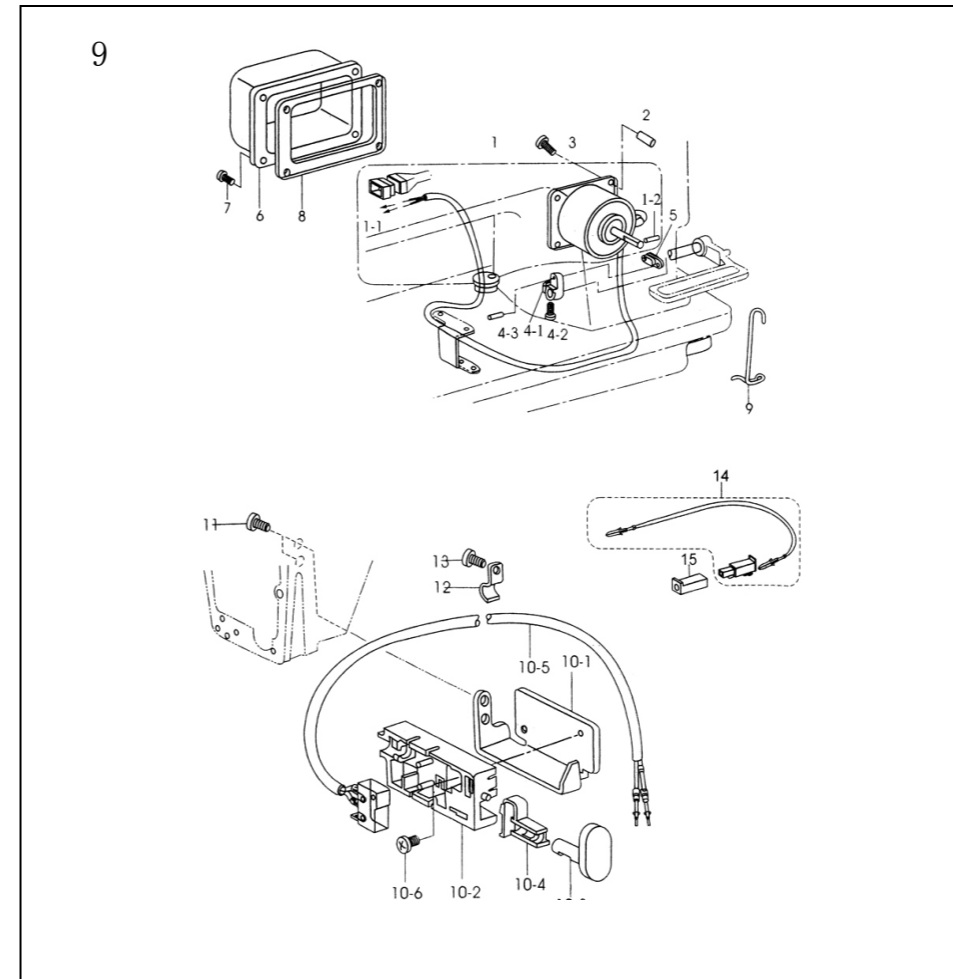
7. 润滑组件 Oil lubrication components

序号NO.	公司件号 Part NO.	名称PartName	零件描述Description	数量Number
1-1	1352000200	油泵组件	Oil pump asm	1
1	13520001	油泵体	Oil pump	1
2	13520005	油泵大齿轮	Big gear for oil pump	1
3	13520006	油泵小齿轮	Small gear for oil pump	1
4	135511037	油泵调节板螺钉	Screw	3
5	13512021	油泵盖板	Cover for oil pump	1
6	13512022	油泵调节板	Adjusting plate for oil pump	1
7	1351202300	油泵滤网组件	Filter complete	1
8	105511019	油泵体螺钉	Screw	3
9	13502024	油泵体轴套	Shaft for oil pump	1
10	302024	油泵体盖螺钉	Screw	2
11	1351202100	油线固定板组件	Oil wick set plate complete	1
12	101511010	油线	Oil wick	2
13	1352100700	上轴油管组件	Oil pipe complete for upper shaft	1
14	02221001	回油管 2.3x4	Oil return pipe	1
15	13523003	回油管油毡	Oil felt	1
16	13512025	回油管夹	Pipe return pipe clamp	1
17	101511014	回油管头螺钉	Screw	1
18	136210100	下轴油管组件	Oil pipe for arm shaft	1
18-1	13621001	下轴油管	Oil pipe for shaft	1
18-2	13630001	下轴油管接头	Oil wick	1
19	10423004	油线 2.5x20/2.5x20	Oil wick	5/1
20	13520001	橡胶垫圈 (φ19)	Rubber plug (φ19)	1
21	13520002	橡胶垫圈 (φ11.8)	Rubber plug (φ11.8)	4
22	13520003	橡胶垫圈 (φ8.8)	Rubber plug φ8.8	2
23	13520004	橡胶垫圈 (φ27)	Rubber plug φ27	1
24	13520005	橡胶垫圈 (φ5.7)	Rubber plug φ5.7	1
25	10111004	油窗	Oil sight window	1
26	13512002	侧盖板	Side plate	1
27	13522008	橡胶圈 (φ25.5)	Rubber plug φ25.5	1
28	13522006	后盖密封垫片	Gasket	1
29	13511001	后盖螺钉	Screw	8
30	10128003	后盖螺钉垫片	Washer	8
31	13512008	小汽油板	Keep off plate	1
32	101511005	小汽油板螺钉	Screw	4
33	13522011	小汽油板垫	Gasket	1
34	10122019	油窗O型圈	O-ring	1
35	13522018	无连杆橡胶垫	Washer gasket	1
36	002002	油泵调节板螺钉弹簧垫圈	Spring washer	1



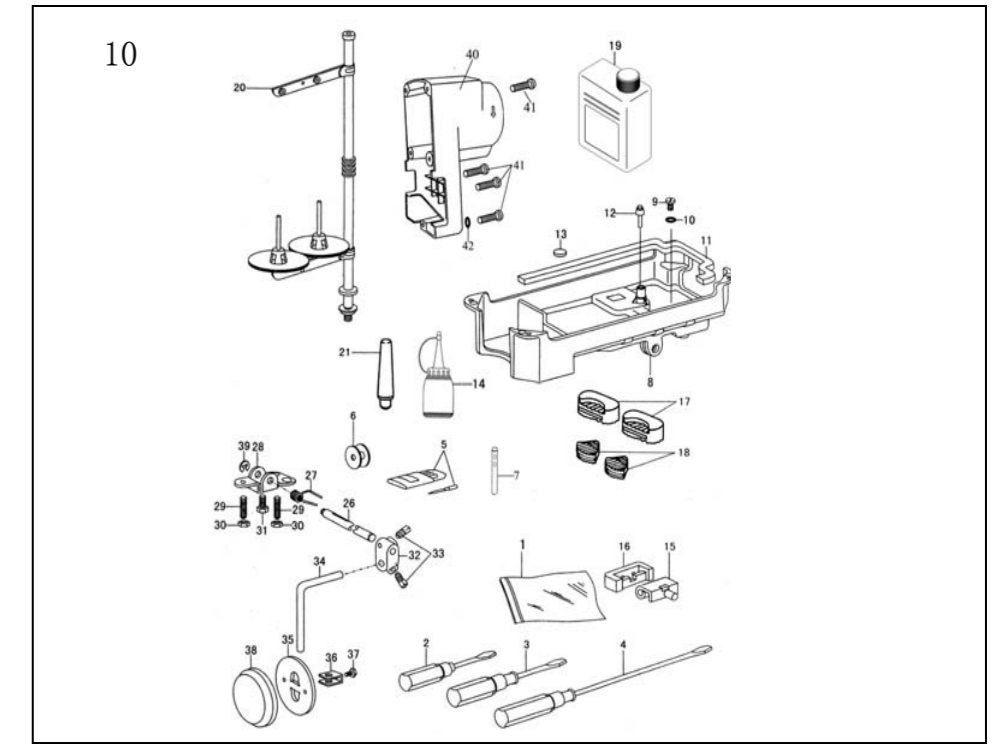
8. 切线装置部件 Thread trimmer components

序号NO.	公司件号 Part NO.	名称PartName	零件描述Description	数量Number
1	13612006	驱动板	Thread trimmer driving lever	1
2	13612007	铁线支撑板	Adapter	1
3	13612001	铁线支撑板螺钉	Screw	1
4	13612008	铁线连接板	Adapter	1
5	305512005	铁线连接板螺钉	Screw	2
6	13602007	驱动轴	shaft	1
7	13627001	驱动轴弹簧	Spring	1
8	30108001	驱动轴衬套	Thrust collar asm	1
9	101511005	驱动轴衬套螺钉	Screw	2
10	101511020	驱动轴衬套螺母	Nut	1
11	114510005	驱动轴螺母	Nut	1
12	136000010	割线电磁铁驱动组件	Thread electromagnet drive assembly	1
13	101511029	电磁铁固定螺钉	Screw	4
14		线夹	Cable clip	1
15		线头	Plug connector	2
16	13628005	线头螺母	Nut	1
17	005012	挡圈	Ring	2
18	136130000	铁线轴螺母	Nut	2
19	136130010	铁线轴螺母	Nut	2
20	13613009	铁线轴	Thread guide	1
21	13601004	固定板螺钉	Screw	1
22	13601003	固定板螺母	Nut	1
23	13601007	固定板	Bracket for fixed blade	1
24	13612010	铁线板	Thread guide	1
25	101511005	铁线板螺钉	Screw	1
26	13612001	固定刀片	Fixed blade	1
27	13619001	刀片	Knife	1
28	02200006	刀片架	Knife holding bracket saddle	1
29	022010002	刀片架螺母	Nut	2
30	13601009	刀片架 (左)	Knife base (left)	1
31	101511020	驱动轴螺母	Screw	1
32	13604001	割线电磁铁驱动轴	Knife driving crank	1
33	13602002	刀片架螺钉	Screw	2
34	13600001	刀片架	Link	1
35	022011008	刀片架	Huber	3
36	13600001	刀片架	Huber	1
37	13600001	刀片架	Huber	1
38	13610002	刀片架	Movable knife (left)	1
39	13612003	刀片架螺母	Screw	2
40	13602008	凸轴轴套	Knife driving shaft	1
41	13604002	割线凸轴轴套	Huber	1
42	13601010	弹簧垫圈	Spring	1
43	13612011	止动板	Stopper plate	1
44	13614002	限位块	Stopper	2
45	13601011	限位块	Stopper	1
46	13627006	凸轴轴套	Spring	1
47	101514002	限位块	Screw	2
48	30108001	凸轴轴套	Thrust collar asm	1
49	13602005	塑料圈	Washer	1
50	13604003	限位块凸轴轴套	Huber	1
51	13602003	限位块	Screw	2
52	13609002	限位块	Cam follower	2
53	136017005	限位块	Nut	2
54	13612012	限位块	Huber	1
55	13602005	限位块	Huber	1
56	13612004	限位块	Huber	3
57	13608006	限位块	Huber	1
58	13608007	限位块 (小)	Huber	1
59		限位块 (小)	Huber	1
60		限位块	Huber	1
61		限位块	Huber	1
62	101511025	限位块	Screw	4
63	13628011	限位块垫片	Washer	1
64	11222001	限位块	Screw	1
65	13603002	限位块	Screw	1
66	13603008	限位块	Screw	1
67	136010000	限位块	Knife holding bracket saddle asm	1
68	305510002	螺母	Nut	1



9. 自动倒送料开关组件 Automatic reverse feed components

序号NO.	公司件号 Part NO.	名称PartName	零件描述Description	数量Number
1	136300050	倒送料电磁铁组件	Backstitch electromagnet assembly	1
1-1	13630006	插头	Plug	1
1-2	13626007	倒送料电磁铁连杆	Backstitch electromagnet link pin	2
2	13630011	衬套	Bush	1
3	136515005	衬套螺钉	Screw	4
4	136040040	倒送料电磁铁轴套	Backstitch electromagnet crank	1
4-1	13604004	倒送料电磁铁轴套	Backstitch electromagnet crank	1
4-2	113511002	轴套螺钉	Screw	1
4-3	13629006	倒送料电磁铁轴套	Link pin	1
5	13605002	倒送料电磁铁轴套	Backstitch solenoid rod	1
6	13601012	倒送料电磁铁罩	Backstitch solenoid cover	1
7	301511011	倒送料电磁铁罩	Screw	1
8	13629009	倒送料电磁铁罩垫片	Seals	4
9	13627007	倒送料电磁铁罩钩	Spring hook	1
10	136300100	倒送料电磁铁开关组件	Switch assembly	1
10-1	13612013	倒送料电磁铁开关安装架	Switch mounting bracket	1
10-2	13611002	倒送料电磁铁开关底座	Switch Block	1
10-3	13611003	倒送料电磁铁开关	Key Switch	1
10-4	13611004	倒送料电磁铁开关触点	Switch contact member	1
10-5	13630002	倒送料电磁铁开关组件	Switch assembly	1
10-6	136511014	倒送料电磁铁开关螺钉	Screw	1
11	10111004	开关安装架螺母	Nut	1
12		塑料铁夹	Clamps	3
13		塑料铁夹螺钉	Screw	3
14		安全开关	Plug	1
15		插头 (2)	Plug	1



10. 机头附件 Machine head accessories

序号NO.	公司件号 Part NO.	名称PartName	零件描述Description	数量Number
1	10131017	机头罩	Machine head cover	1
2	10131004	螺钉起子 (小)	Screw driver (small)	1
3	10131003	螺钉起子 (中)	Screw driver (middle)	1
4	10131002	螺钉起子 (大)	Screw driver (large)	1
5	13517001	机针	Needle	4
6	10818501	梭芯	Bobbin	5
7	11212001	过线柱	Needle bar crank	1
8	13501007	油盒	Oil reservoir	1
9	135511041	加油螺钉	Screw	1
10	001047	加油螺钉垫圈	Washer	1
11	13523006	油盒垫	Gasket	1
12	13511006	膝压提升杆	Knee press lifter rod	1
13	10131001	磁块	Magnet	1
14	20131038	小油壶	Oil pot	1
15	10122060	机壳胶套	Huber coat	2
16	101120100	机壳胶套	Flange	2
17	10122023	机壳胶套 (大)	Huber (big)	2
18	10122022	机壳胶套 (小)	Huber (small)	2
19	101101290	油筒	Oil tank	1
20	101310070	线架组件	Spool stand complete	1
21	10110111	机头支柱	Frame support bar	1
26	13502005	膝压按钮	Knee sin	1
27	13527014	膝压按钮弹簧	Spring	1
28	13512026	膝压按钮架	Knee lifter stop bracket	1
29	135515019	膝压按钮调节螺钉	Screw	2
30	301029	调节螺母	Nut	2
31	135512003	膝压按钮架螺母	Screw	1
32	10101008	螺母等长头螺钉	Connector	1
33	10112003	螺母等长头螺钉	Screw	2
34	10112028	螺母等长头螺钉	Bent bolt	1
35	10112029	螺母等长头螺钉	Bolt	1
36	10112030	螺母等长头螺钉	Bell bracket	1
37	10112004	螺母等长头螺钉	Screw	1
38	10122024	螺母等长头螺钉	Pat	1
39	005011	开口圈	Split stop ring	1
40	13611005	电机罩	Belt guard complete	1
41	11630001	电机罩螺钉	Screw	4
42	13628013	电机罩垫圈	Washer	3

杰克逊股份有限公司

公司地址: 台州市椒江区机场南路十五号

邮编: 318000

国内销售部:

电话: 0086-576-8817778 88177789

传真: 0086-576-8817778

国贸部:

电话: 0086-576-8817778 88177774

传真: 0086-576-8817778

免费售后服务电话: 400-8876558

http://www.chinajack.com

资料如有更改, 恕不另行通知, 以实物为准。