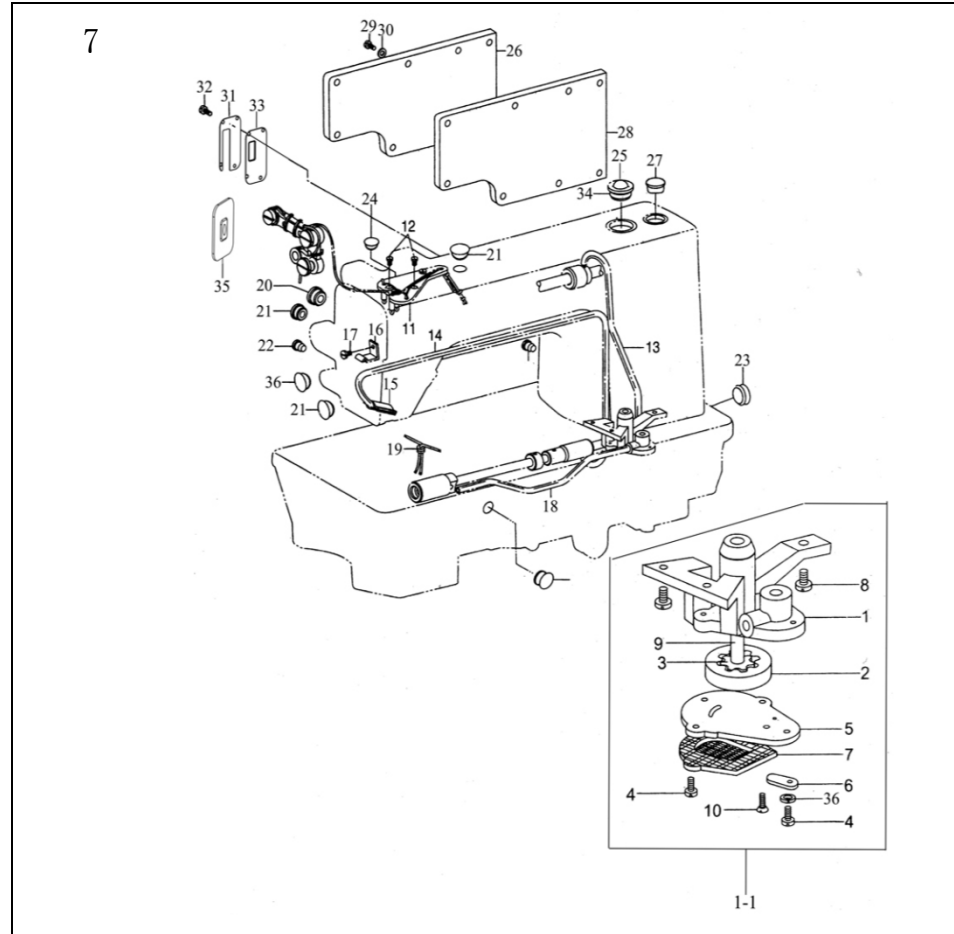


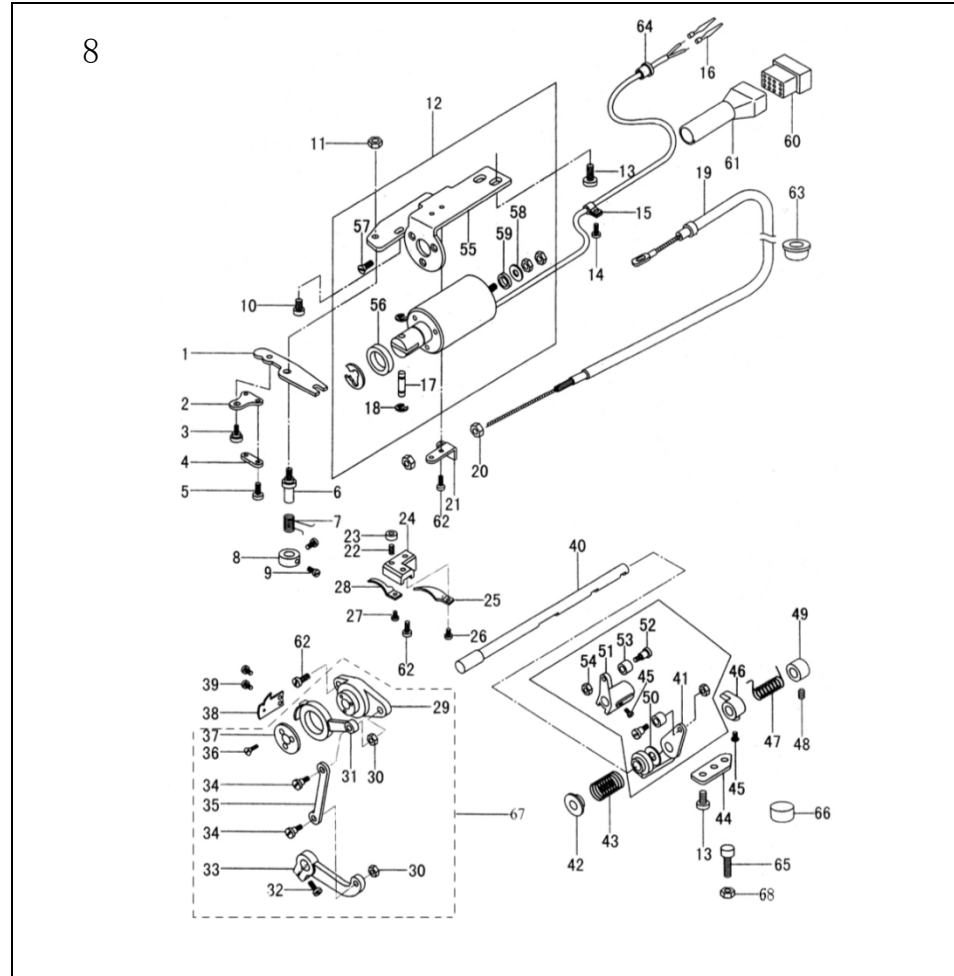
6. 旋梭部件 Hook components

序号NO.	公司件号 Part NO.	名称PartName	零件描述Description	数量Number
1	1350202	弹簧轴	Spring shaft	1
2	1352501	上轴伞齿轮	Gear asm.	1
3	101415007	螺钉	Screw	8
4	1352502	弹簧伞齿轮 (上)	Gear asm.	1
5	1352503	下轴伞齿轮	Pinion asm.	1
6	1352504	弹簧伞齿轮 (下)	Gear asm.	1
7	1350304	弹簧轴套 (上)	Bushing, upper	1
8	1360305	弹簧轴套 (下)	Spring shaft bushing, over	1
9	135515008	弹簧轴套螺钉	Screw	2
10	13618001	梭芯组件	Hook asm.	1
11	10818501	梭芯	Bobbin	1
12	13618003	梭芯轴套	Hook asm.	1
13	13602006	下轴	Hook driving shaft	1
14	11423003	下轴油塞	Oil wick	1
15	135520007	下轴油塞螺钉	Screw	1
16	1360308	下轴前护套	Bushing, front	1
17	135520008	下轴调节螺钉	Oil adjusting screw	1
18	13527005	下轴调节弹簧	Spring	1
19	10108002	下轴轴套螺钉	Thrust collar asm.	1
20	101511012	下轴轴套 (左)	Bushing, rear	2
21	13603009	下轴轴套螺钉	Screw	2
22	135515009	柱基	Flange	1
23	1352006	柱基弹簧	Flange spring	1
24	13527006	档板	Guide plate	1
25	13512009	档板螺钉	Screw	1
26	135515019	旋梭定位钩	Rotating hook positioner	1
27	13612005	旋梭定位钩螺钉	Screw	1
28	101511011	下轴中轴套	Bushing, middle	1
29	1360310	切线凸轮轴套	Washer	2
30	13628003	切线凸轮轴套	Washer	2
31	102004	切线凸轮轴套	Washer	1
32	13521001	下轴油封	Oil lip for hook shaft bushing	1
33	13522001	下轴油封	Flange	1
34	13610003	切线凸轮	Thread trimmer cam	1
35	116514005	切线凸轮螺钉	Screw	2



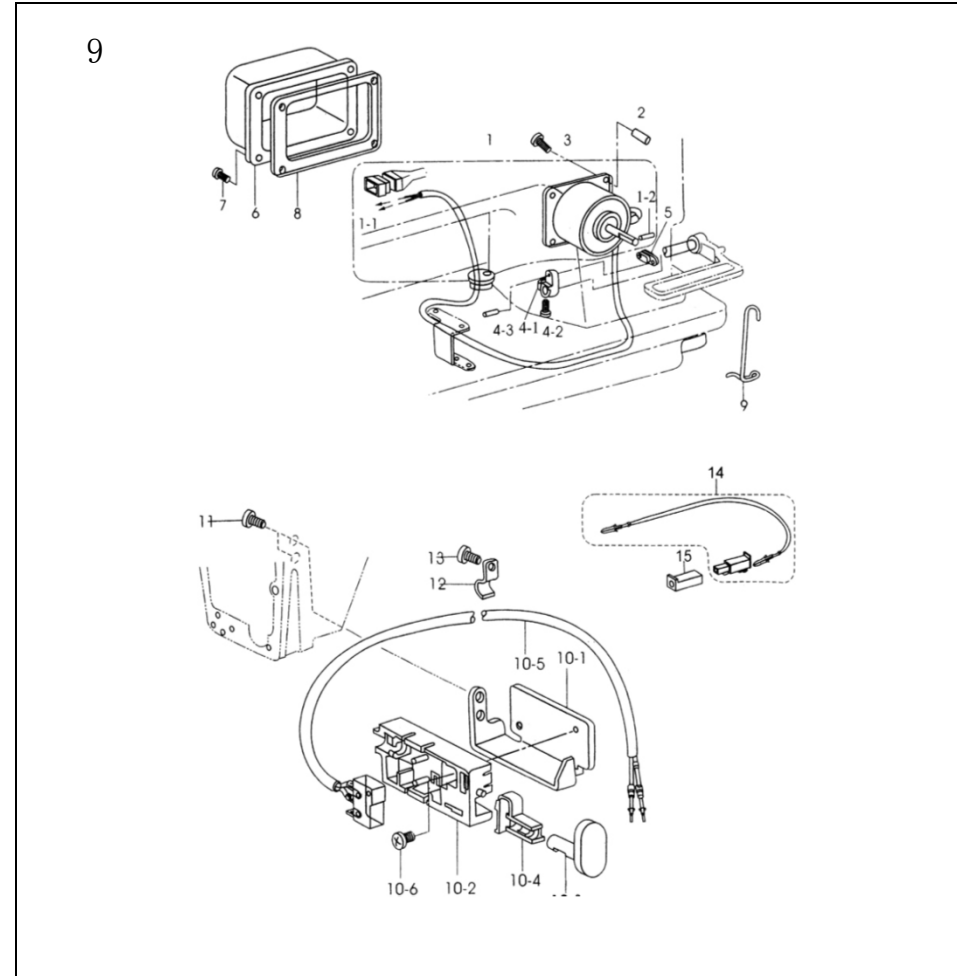
7. 润滑组件 Oil lubrication components

序号NO.	公司件号 Part NO.	名称PartName	零件描述Description	数量Number
1-1	135200000	油泵组件	Oil pump asm	1
1	13520001	油泵壳体	Oil pump	1
2	1352505	油泵大齿轮	Big gear for oil pump	1
3	1352506	油泵小齿轮	Small gear for oil pump	1
4	135511037	油泵调节螺钉	Screw	3
5	13512021	油泵盖	Cover for oil pump	1
6	13512022	油泵调节板	Adjusting plate for oil pump	1
7	1351202300	油泵滤网组件	Filter complete	1
8	105511019	油泵轴	Shaft for oil pump	1
9	13502024	油泵轴套	Washer	2
10	13602024	油泵轴套螺钉	Screw	2
11	1351202400	油线固定板大组件	Oil wick set plate complete	1
12	101511010	油线固定板螺钉	Screw	2
13	1352100700	上轴油管组件	Oil pipe complete for upper shaft	1
14	10221001	回油管 2.5x20/2.5x290	Oil return pipe	1
15	13525003	回油管油嘴	Oil fit	1
16	13512025	回油管夹	Pipe return pipe clamp	1
17	201511014	回油管螺钉	Screw	1
18	1362100100	下轴油管组件	Oil pipe for arm shaft	1
18-1	13621001	下轴油管	Oil pipe for shaft	1
18-2	13659001	下轴油管接头	Oil wick	1
19	10123004	橡胶垫 2.5x20/2.5x290	Rubber plug(419)	51
20	1352003	橡胶垫 (Φ11.8)	Rubber plug(Φ11.8)	1
21	1352002	橡胶垫 (Φ8.8)	Rubber plug(Φ8.8)	4
22	1352003	橡胶垫 (Φ8.8)	Rubber plug(Φ8.8)	2
23	1352004	橡胶垫 (Φ27)	Rubber plug(Φ27)	1
24	1352005	橡胶垫 (Φ5.7)	Rubber plug(Φ5.7)	1
25	1011004	油窗	Oil sight window	1
26	13512002	侧盖板	Side plate	1
27	1352008	橡胶垫 (Φ25.5)	Rubber plug(Φ25.5)	1
28	1352006	后盖密封垫片	Gasket	1
29	13511001	后盖螺钉	Screw	8
30	10128003	后盖螺钉垫片	Washer	8
31	13512008	小汽油板	Keep off plate	1
32	101511005	小汽油板螺钉	Screw	4
33	1352011	小汽油板垫	Gasket	1
34	10122019	油窗O型圈	O-ring	1
35	13522018	大连接橡胶垫	Rubber gasket	1
36	102002	油泵调节螺钉油嘴垫圈	Carling washer	1



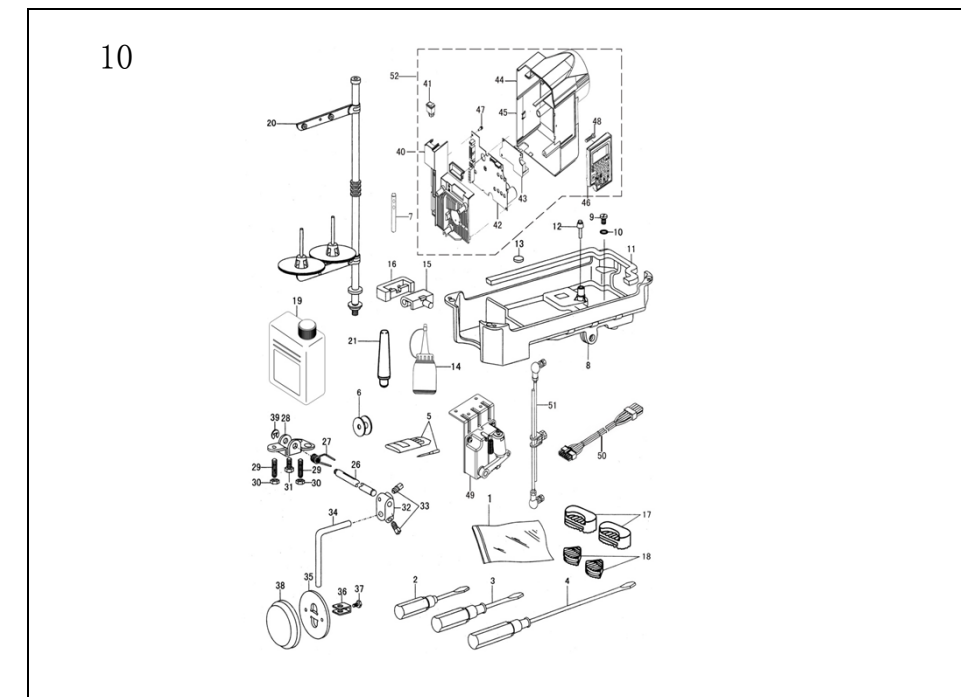
8. 切线装置部件 Thread trimmer components

序号NO.	公司件号 Part NO.	名称PartName	零件描述Description	数量Number
1	13612006	驱动板	Thread trimmer driving lever	1
2	13612007	铁线支撑板	Adapter	1
3	13612001	铁线支撑板螺钉	Screw	1
4	13612008	铁线连接板	Adapter	1
5	305512005	铁线连接板螺钉	Screw	2
6	13602007	驱动轴	shaft	1
7	13627004	驱动板弹簧	Spring	1
8	30188004	驱动板轴套	Thrust collar asm	1
9	101511005	驱动板轴套螺钉	Screw	2
10	101511020	驱动板轴套	Screw	1
11	114516005	驱动板螺母	Nut	1
12	136000100	三相电磁铁驱动组件	Threeed electromagnet drive assembly	1
13	301511029	三相电磁铁固定螺钉	Screw	4
14		线夹	Cable clip	1
15		插头	Plug connector	2
16		插头	Pin	1
17	13628005	铁圈	Ring	2
18	105012	铁圈	Ring	2
19	1361300300	铁圈螺母	Nut	2
20	13616010	铁圈螺母	Nut	2
21	13612009	铁圈板	The mounting plate	1
22	13601004	固定螺钉	Screw	1
23	13601003	固定螺钉	Screw	1
24	13601007	固定板	Bracket for fixed blade	1
25	13601010	刀片板	Thread guide	1
26	101511005	刀片板螺钉	Screw	1
27	136017001	刀片板螺钉	Screw	1
28	13618001	刀片	Fixed blade	1
29	10200006	刀片架	Knife holding bracket saddle	1
30	10200002	刀片架螺母	Nut	2
31	13601009	刀片架 (左)	Knife base (left)	1
32	101511020	驱动轴螺母	Screw	1
33	13604001	三相电磁铁驱动轴	Knife driving crank	1
34	13623002	刀片架螺钉	Screw	2
35	13600001	连杆	Link	1
36	10200003	刀片架螺钉	Screw	3
37	13600001	刀片架螺母	Nut	1
38	13610002	刀片架	Movable knife (left)	1
39	136017003	刀片架螺母	Screw	2
40	13602008	刀片架轴套	Knife driving shaft	1
41	13604002	刀片架轴套	Knife driving shaft	1
42	13601010	刀片架轴套	Knife driving shaft	1
43	13627005	刀片架轴套	Spring	1
44	13612011	刀片架轴套	Stopper plate	1
45	13601002	刀片架轴套	Screw	2
46	13601011	刀片架轴套	Stopper	1
47	13627006	刀片架轴套	Spring	1
48	101511002	刀片架轴套	Screw	2
49	30188001	刀片架轴套	Thrust collar asm	1
50	13623005	刀片架轴套	Washer	1
51	13604003	刀片架轴套	Thrust collar asm	1
52	13602003	刀片架轴套	Screw	2
53	13609002	刀片架轴套	Nut follower	2
54	136017005	刀片架轴套	Washer	2
55	13612012	刀片架轴套	Nut	1
56	13628005	刀片架轴套	Washer	1
57	13617004	刀片架轴套	Screw	3
58	13628006	刀片架轴套	Washer	1
59	13628007	刀片架轴套	Washer	1
60		刀片架轴套 (小)	Washer	1
61		刀片架轴套	Washer	1
62		刀片架轴套	Washer	1
63		刀片架轴套	Washer	1
64		刀片架轴套	Washer	1
65		刀片架轴套	Washer	1
66		刀片架轴套	Washer	1



9. 自动倒送料开关组件 Automatic reverse feed components

序号NO.	公司件号 Part NO.	名称PartName	零件描述Description	数量Number
1	1363000500	三相电磁铁组件	Backstitch electromagnet assembly	1
1-1	13630006	插头	Plug	1
1-2	13626007	三相电磁铁连杆	Backstitch electromagnet link pin	2
2	13630011	衬套	Bush	4
3	136310005	衬套螺钉	Screw	4
4	1360400400	三相电磁铁轴套	Backstitch electromagnet crank assen	1
4-1	13604004	三相电磁铁轴套	Backstitch electromagnet crank	1
4-2	113311002	轴套螺母	Screw	1
4-3	13629006	三相电磁铁轴套	Link pin	1
5	13605002	三相电磁铁轴套	Backstitch solenoid rod	1
6	13601012	三相电磁铁轴套	Backstitch solenoid cover	1
7	101511011	三相电磁铁轴套	Screw	4
8	13628009	三相电磁铁轴套	Seals	1
9	13627007	三相电磁铁轴套	Spring hook	1
10	136300100	三相电磁铁轴套	Switch assembly	1
10-1	13612013	三相电磁铁轴套	Switch mounting bracket	1
10-2	13611002	三相电磁铁轴套	Switch Block	1
10-3	13611003	三相电磁铁轴套	Key switch	1
10-4	13611004	三相电磁铁轴套	Switch contact member	1
10-5	13630002	三相电磁铁轴套	Switch assembly	1
10-6	136311014	三相电磁铁轴套	Screw	1
11	101511004	三相电磁铁轴套	Screw	1
12		三相电磁铁轴套	Clamps	3
13		三相电磁铁轴套	Screw	1
14		三相电磁铁轴套	Plug	1
15		三相电磁铁轴套	Plug	1



10. 机头附件 Machine head accessories

序号NO.	公司件号 Part NO.	名称PartName	零件描述Description	数量Number
1	10131017	机头罩	Machine head cover	1
2	10131004	螺钉 (小)	Screw driver (small)	1
3	10131003	螺钉 (中)	Screw driver (middle)	1
4	10131002	螺钉 (大)	Screw driver (large)	1
5	13517001	机针	Needle	4
6	10818501	梭芯	Bobbin	5
7	11212001	过线柱	Needle bar crank	1
8	13501007	油盒	Oil reservoir	1
9	135511041	加油螺钉	Screw	1
10	101047	加油螺钉垫圈	Washer	1
11	13523006	油盒垫圈	Gasket	1
12	13511006	膝压提升杆	Knee press lifter rod	1
13	10131001	磁块	Magnet	1
14	20131038	小油壶	Oil pot	1
15	10122060	机壳涂层	Rubber coat	2
16	101203100	机壳涂层套	Ring	2
17	10122023	机壳涂层套 (大)	Cushion (big)	2
18	10122022	机壳涂层套 (小)	Cushion (small)	2
19	101101200	油桶	Oil tank	1
20	101300700	脚架组件	Stool stand complete	1
21	1011011	机头支柱	Frame support bar	1
22	13502025	膝压杆	Wipe pin	1
26	13527014	膝压杆弹簧	Spring	1
28	13512006	膝压杆支架	Knee lifter stop bracket	1
29	13511019	膝压杆调节螺钉	Screw	2
30	301029	螺母	Nut	2
31	135512003	膝压杆位置螺钉	Screw	1
32	10101008	膝压杆轴套	Connector	1
33	101512003	膝压杆轴套	Screw	2
34	10112028	膝压杆轴套	Best rod	1
35	10112029	膝压杆轴套	Bell	1
36	10112030	膝压杆轴套	Bell bracket	1
37	101512004	膝压杆轴套	Screw	1
38	10122024	膝压杆轴套	Nut	1
39	105011	开口圈	Split stop ring	1
40		膝压杆轴套	Heat sink	1
41		膝压杆轴套	Electric control switch	1
42		膝压杆轴套	Circuit board	1
43		膝压杆轴套	A small circuit board	1
44		膝压杆轴套	The motor housings	1
45		膝压杆轴套	The side cover	1
46		膝压杆轴套	Operation panel	1
47		膝压杆轴套	Electric board connecting screws	6
48	136513001	膝压杆轴套	Electric connection screws	3
49		膝压杆轴套	Electric control pedal	1
50		膝压杆轴套	The power cord	1
51		膝压杆轴套	Pedal connecting rod	1
52	13633003	三相电磁铁轴套	Machine electric control	1
53	1363300400	三相电磁铁轴套	Machine electric control (底座)	1
54	114530001	三相电磁铁轴套	Electric connection screws	1

杰克缝纫机股份有限公司  
 公司地址: 台州市椒江区机南南路十五号  
 邮编: 318000  
 国内销售部:  
 电话: 0086-576-8817778 88177789  
 传真: 0086-576-8817778  
 国贸部:  
 电话: 0086-576-8817778 8817774  
 传真: 0086-576-8817778  
 免费售后服务电话: 400-8878858  
 http://www.chinajack.com  
 资料如有更改, 恕不另行通知, 以实物为准。