



STEAM IRON

MOD. U

GHIDINI

User and Maintenance Manual

These operating and maintenance instructions refer to the steam iron mod. "U".
It is possible to obtain the last version of the present instructions requiring it to the Sale and Technical Department or visiting our web site web www.ghidini-gb.it.

Operating instructions

- The unit must be installed, opened and repaired by fully qualified technicians only..
- Do not use the machine plunged in fluids, in dangerous or inflammable places.
- Do not ignore the dangers for the operators health and follow the hygienic and safety prescriptions.
- Check that the electrical connection is correctly carried out respecting the laws in force and that the fuses boxes are closed and complete with fuses.
- The electrical plug of the iron must only be connected to the appropriate current sockets of the ironing machines. It must never be connected to any other power supply socket. The rear junction box and the electric cord must never be tampered.
- Check that control and safety devices are intact.

Use

- Connect the iron to a steam supply using a rubber hose with an internal \varnothing of 5 mm
- Connect the terminal board as in the included scheme and feed the iron.
- Adjust the temperature of the iron with the appropriate handwheel.
- Wait for the plate of the iron reaches the right temperature and adjust the button placed on one side of the handle to operate the steam solenoid valve.
- Do not leave the iron switched on and in temperature when it is not used.

The dangers described in the following items have not been completely eliminated, but they have been considered acceptable:

- During the maintenance operation there could be a spray of steam at low pressure (maintenance operation must be carried out using suitable protection devices)
- Protection against direct and indirect contacts must be adopted by the user.

Main electrical supply

Prior to carrying out any inspection or work on the machine, disconnect it from the main electrical supply and make sure that nobody can connect it again during the technical operations. All the electrical or electronic machines or basic structures installed must be connected to the earthing system.

Inflammability


Adopt all the necessary precautions to avoid any direct contact with hot materials or flames. Put fire extinguishers near the machine for an immediate intervention in event of fire.

Pressure / Steam

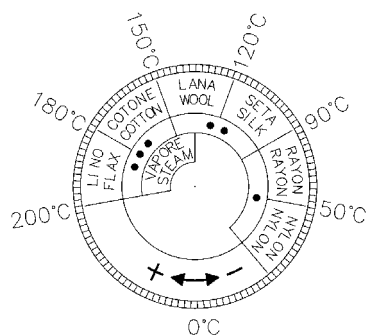
Before each intervention switch off the boiler, wait for the cooling of the pipes and check that residual pressures are not inside the iron or in every single branch of the hydraulic circuit. They could cause steam sprays in case of dissembling of pipes or components.

Ghidini s.r.l. cannot be held liable for any damage to things or injury to persons caused by an improper use of the machine in contrast with these instructions.

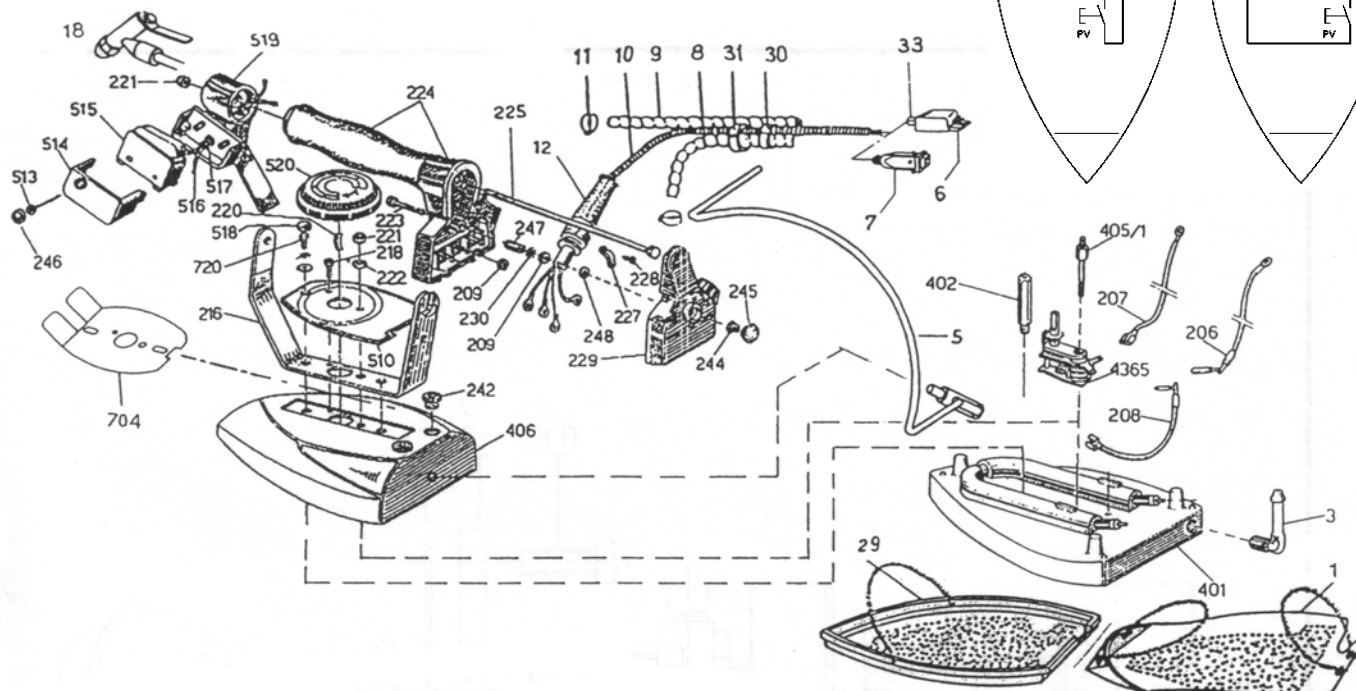
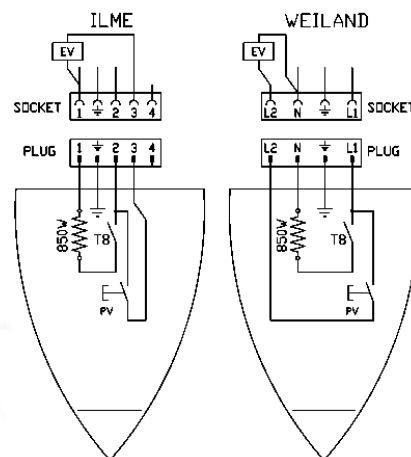
Any eventual modification to the components or different use of the machine must be previously authorized through a written document by Ghidini s.r.l. otherwise the manufacturer can be considered free even from the guarantee bond.

<i>Manufacturer</i>	GHIDINI BENVENUTO s.r.l.
<i>Product</i>	Steam iron mod. U
<i>Year</i>	2004
<i>Certification</i>	

TECHNICAL DATA	
Electrical feeding	220V 50 Hz
Iron heater	0,830 Kw
Working temperature	+ 5 ÷ + 80 °C
Operating humidity	90 % max.
Stocking temperature	- 20 ÷ + 50 °C
Net weight	1,8 Kg



220/240 V - 50/60 Hz



Pos	CODE	DESCRIPTION	Pos	CODE	DESCRIPTION
4365	45A005	Termostato con fusibile	223	184457	Chiodo
720	184453	Chiodo per fissaggio scocca	222	514057	Moletta per scocca
704	253297	Protezione di sicurezza	221	514056	Moletta per maniglia
520	224217	Maniglia	220	534288	Molla della maniglia
519	173236	Supporto microinterruttore	218	184455	Chiodo
518	22K038	Chiodo a vite	216	172057	Supporto maniglia
515	43D009	Microinterruttore	209	514055	Moletta
514	43K007	Cassa microinterruttore	208	304282	Connessione elettrica tra termostato ed elemento riscaldante.
513	184451	Chiodo microinterruttore	207	304281	Connessione elettrica tra termostato e morsetto
510	264350	Placca	206	304280	Connessione elettrica tra elemento riscaldante e morsetto
406	253255	Cassa	33	224255	Passacavo
405/1	174020	Chiodo a vite per termostato	31	224260	Morsetto per cavo
402	174019	Chiodo a vite per scocca	30	224215	Molla
401	253254	Placca con riscaldatore	29	Z23E01	Suola in teflon armata
248	184449	Isolanti	18	25A002	Nebulizzatore
247	174018	Collare di spaziatura	12	224210	Maniglia
246	22K037	Chiodo a vite microinterruttore	11	51X005	Morsetto
245	22K036	Coperchio	10	Z23C00	Cavo elettrico
244	514058	Moletta per coperchio posteriore	9	07A002	Tubo in silicone
242	224245	Anelli di gomma isolanti	8	07A001	Manichetta in gomma
230	184448	Alzafile	7	43H009	Chiodo a vite
229	222133	Coperchio posteriore	6	43H002	Chiodo a vite Wieland
228	184450	Chiodo	5	174009	Supporto flessibile per ferro
227	174353	Chiodo	3	364297	Supporto per tubo
225	183255	Maniglia	1	Z23E00	Suola in teflon
224	222056	Maniglia			

Web site: <http://www.ghidini-gb.it> - E-mail: ghidini.commerciale@tin.it