




ENGLISH



<i>Manufacturer</i>	GHIDINI BENVENUTO s.r.l.
<i>Product</i>	Ironing table – SUN&MOON
<i>Year</i>	2005
<i>Certification</i>	

CONTENTS

1	INTRODUCTION	10	HAZARDOUS USE
2	GENERAL DESCRIPTION	11	OVERALL DIMENSIONS AND DRAWINGS
3	MACHINE IDENTIFICATION	12	MAINTENANCE PROCEDURES
4	TECHNICAL FEATURES	13	DISPOSAL
5	MACHINE COMPONENTS	14	HOW TO ORDER SPARE PARTS
6	MACHINE UNPACKING AND INSTALLATION	15	HANDLING AND TRANSPORT
7	INSTRUCTIONS FOR USE	16	WARRANTY
8	TROUBLESHOOTING AND SOLVING	17	CONFORMITY DECLARATION
9	PRECAUTIONS		

1 INTRODUCTION

The present user's and maintenance manual refers to the the ironing table "Sun&Moon". It is possible to receive the latest release from our Technical Commercial Department or by visiting our website www.ghidini-gb.it.

The present user's and maintenance manual contains important information for the operator's health safeguard and safety.

This manual has to be read and kept carefully, in order to be always at the operator's disposal in case of need.

Ghidini s.r.l. cannot be held liable for any damage to things or injury to persons caused by improper use of the machine in contrast with these instructions.

Any possible modifications effected on the components of the machine or its different use without prior written authorization by Ghidini s.r.l., relieve the latter of injury to persons and / or damages to things, voiding any warranty bindings, as well.

2 GENERAL DESCRIPTION

Sun&Moon is a folding ironing table, adjustable in height, featuring a vacuum and electrically heated ironing board, as well as an ironing unit equipped with a professional steam iron. This table doesn't need any further supporting equipment for its operation.

The unit has to be connected to an external power supply for its operation. The machine features a broad and padded working surface, with an electrically heated and vacuum board, a garment tray, a control panel for putting into operation the different working units, a professional steam iron and a built-in boiler with manual water feeding.

This table is very user-friendly and efficient, thanks to its easy operation by means of a foot pedal, activating the suction on the ironing board.

It is possible to switch on the heating element and the vacuum board on the front panel.

3 MACHINE IDENTIFICATION

A tag placed on one side of the control panel indicates the type, serial number, year of construction and the voltage of the machine.

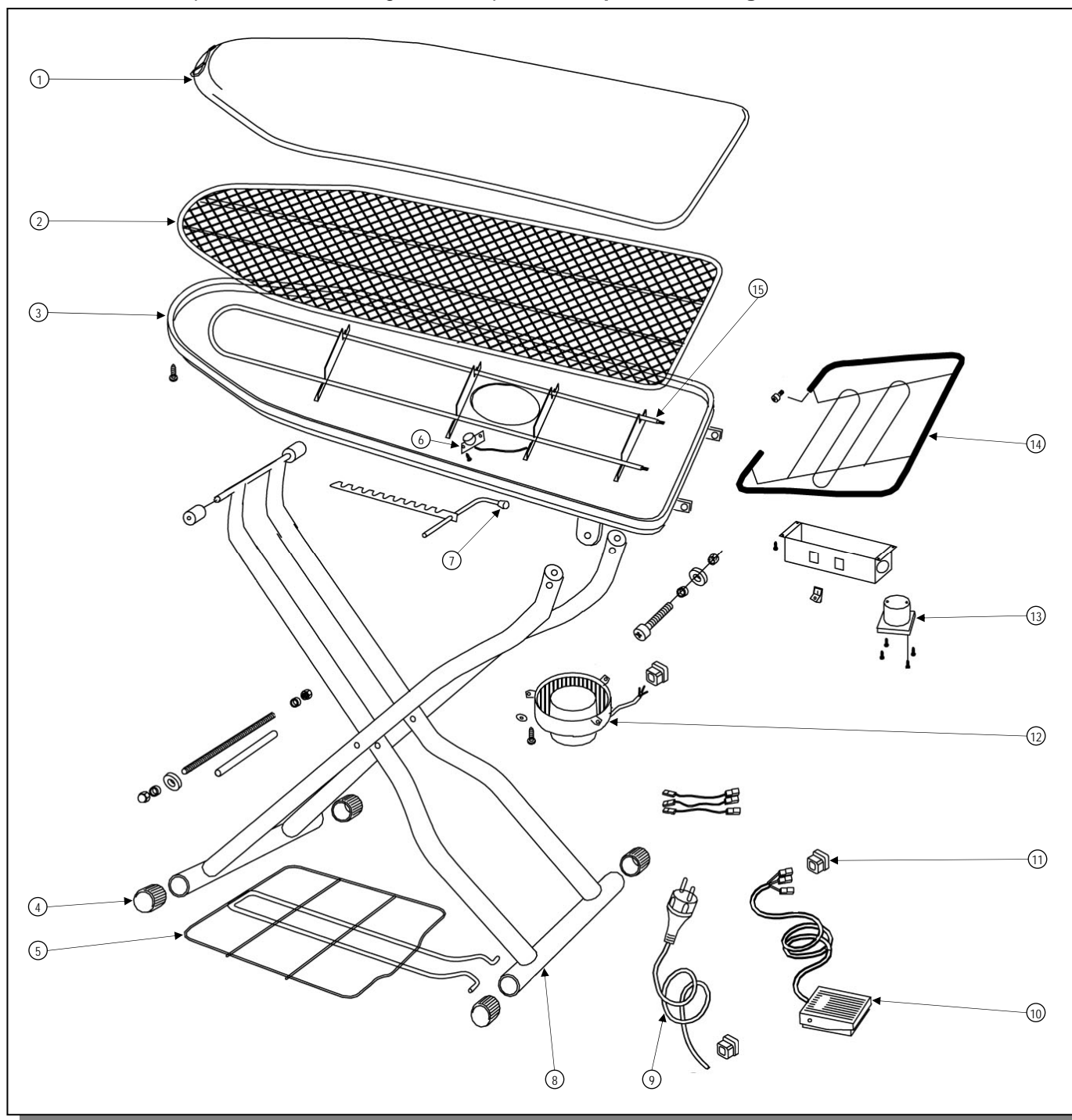
4 TECHNICAL FEATURES

TECHNICAL FEATURES	
Power supply	230V – 1ph / 50 Hz
Power consumption	700W table + 1800W iron with boiler
Sound intensity level	< 70 dB(A)
Working temperature	+ 5 ÷ + 80 °C
Working humidity	max. 90 %
Storing temperature	- 20 ÷ + 50 °C
Net dimension (ironing table)	1520 x 410 x 920 mm.
Net weight	25,5 Kg
Overall dimensions (packaging included)	1500 x 230 x 460 mm
Gross weight (packaging included)	28 Kg

WARNING: The machine must not be supplied with different voltages than those indicated on the table.

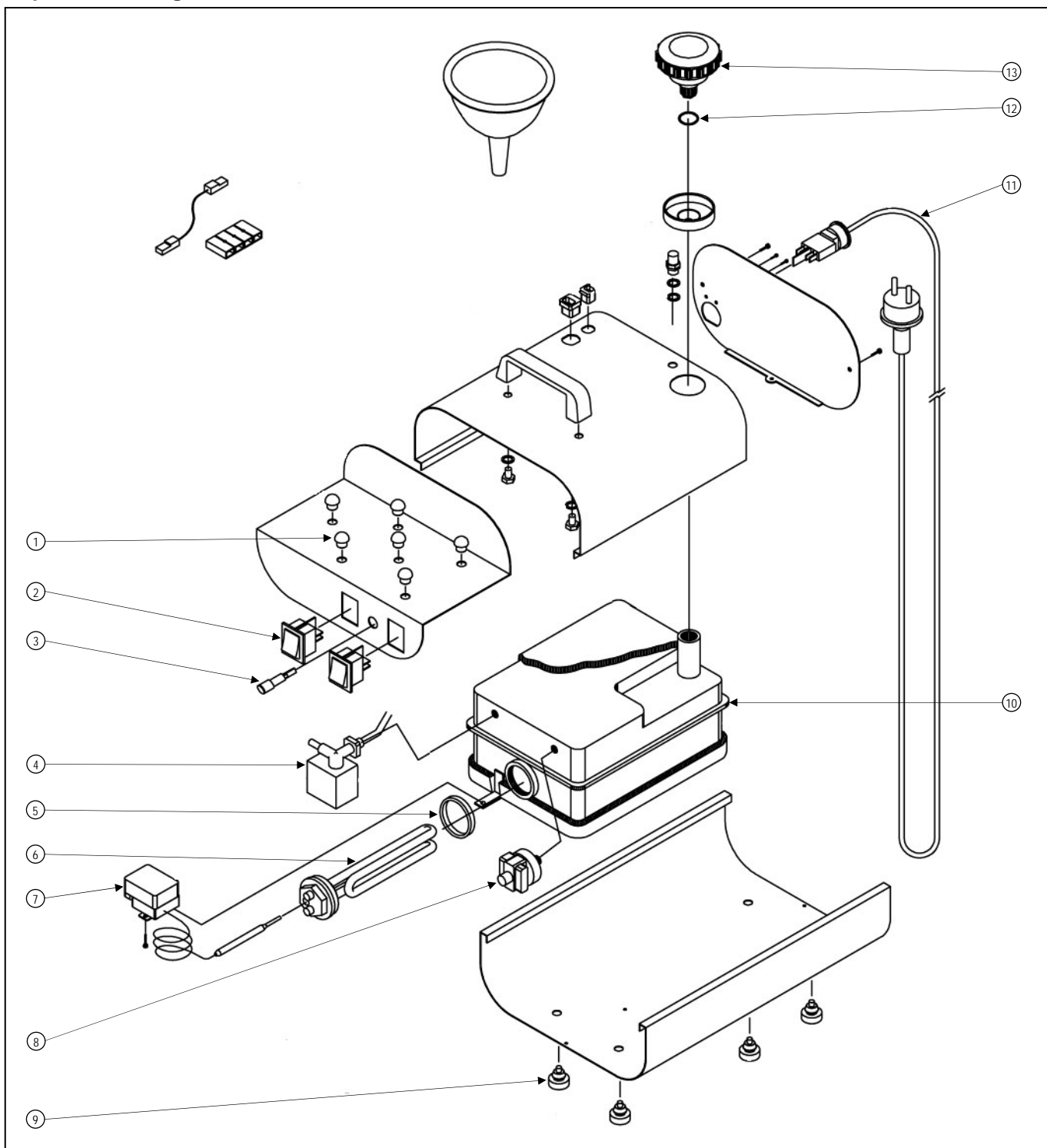
5 MACHINE COMPONENTS

The machine is composed of the following main components: **Exploded drawing of the table SUN**



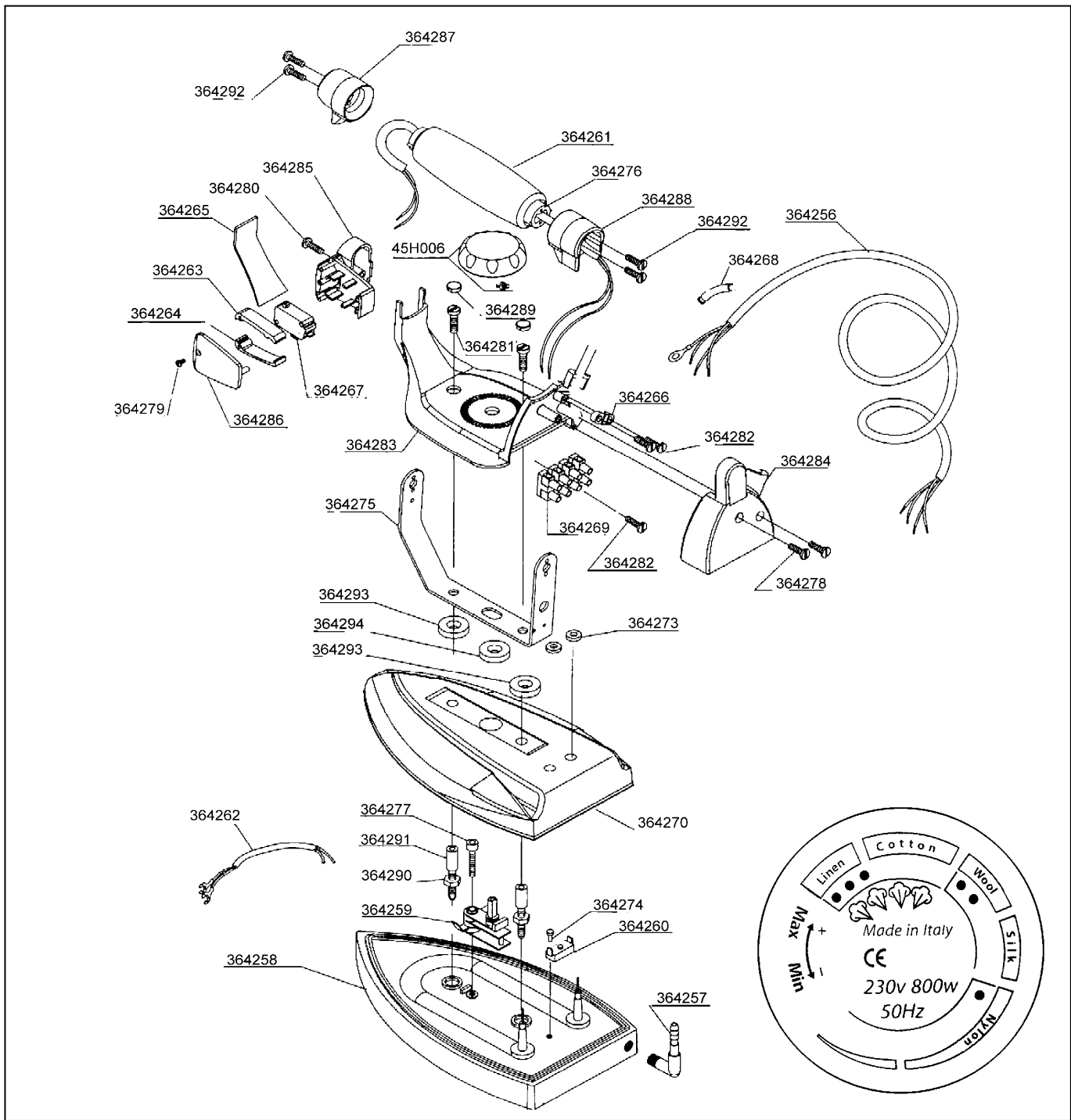
Pos.	ARTICLE	DESCRIPTION	Pos.	ARTICLE	DESCRIPTION
1	274105	Padding	9	304293	Feeding cable
2	160001	Perforated plate	10	172022	Vacuum pedal
3	160005	Board	11	43A062	Switch
4	22A006	Feet	12	Z25H02	Vacuum motor
5	172158	Garment tray	13	43G015	Table socket
6	45B014	Thermostat	14	161056	Iron rest
7	173005	Adjusting lever	15	213168	Board heater
8	160055	Frame			

Exploded drawing of the boiler MOON



Pos.	ARTICLE	DESCRIPTION	Pos.	ARTICLE	DESCRIPTION
1	22A004	Iron rest pins	8	45G015	Pressure switch
2	43A060	Switch	9	22A005	Boiler feet
3	43A009	Warning light	10	201010	Boiler
4	39B035	Solenoid valve	11	304290	Feeding cable
5	244215	Heater gasket	12	24A016	Lid gasket
6	213167	Boiler heater	13	22K044	Safety cap
7	45B012	Thermostat			

Exploded drawing steam iron type K



ART.	DESCRIPTION	ART.	DESCRIPTION	ART.	DESCRIPTION
364273	Cable holder for heater	364278	Self-tapping screw	364287	Front Handle holder
364256	Electric cable for iron	364279	Fixing screw for iron micro-switch	364288	Rear handle holder
364274	Screw for bulb thermostat	364280	Screw for micro-holder 3,5 x 19 AU	364289	Screw caps
364257	Cable holder angle out of nickel brass	364281	Fixing screw for handle M5 x 10 ZNB	364290	Brass spacer washer
364258	Finished steam iron plate	364282	Fixing screw for terminal strip	364291	Male female brass spacer
364259	Adjustable thermostat	364283	Iron cover	364267	Complete micro switch for iron
364260	Thermostat with manual resetting	364284	Rear cover	364292	Fastening screw for handle
364261	Cork handle	364285	Switch holder for iron	45H006	Black Bakelite knob
364275	Bracket for steam iron	364286	Cover for switch holder	364293	Washer for screws
364270	Steam iron cap	364263	Upper iron switch	364294	Washer for knob
364262	Wiring for steam iron	364264	Lower iron switch	364268	Holder for electric cable
364276	Insert for iron handle	364265	Cover plate for iron bracket	364269	4 stud terminal strip
364277	Fixing screw M4 x 22 for thermostat	364266	Cable clip		

6 MACHINE UNPACKING AND INSTALLATION

ATTENTION: The unit must be installed, opened and repaired by fully qualified technicians only.

6.1 UNPACKING

Find the most suitable place where to put the machine, then remove the packaging. Make sure that the machine has not been damaged during the transport and the storage.

The packaging material does not require any special precautions for its disposal, for it is not dangerous or polluting at all. Please refer to the local regulations for its disposal.

6.2 MACHINE INSTALLATION

The machine has not to be anchored to the floor. For a correct use and operation, as well as for an easy maintenance, leave enough free space around the machine

Do not place the machine in dangerous and/or explosive/inflammable places.

6.3 MACHINE ASSEMBLY

The machine is supplied in a carton box, for its assembly, carry out the following instructions:

- Opening of the table: put the board in the vertical position, with the point towards the floor. Press the lever placed beneath the board and follow the table legs with your foot, until the desired height is reached.
- Place the boiler and the iron in the relevant seat next to the board.
- Unscrew the cap, letting out any possible air remnants inside the boiler, then fill the tank with max. 2 lt of distilled water by means of a funnel, paying attention not to let it run over.
- Put the iron plug inside the relevant socket on the control panel of the ironing board.
- Connect the plug of the control panel to the power supply.
- Place the foot pedals nearby your working post

Once these operations are concluded, the machine is ready for use.

6.4 ELECTRICAL WIRING

The electrical wiring must be carried out as indicated in the drawing. Check that the supply voltage and the frequency correspond to those indicated on the rating plate. The feeding socket and the extension cable must suit the machine absorption and comply to the current regulations. It is advisable to install a switch with fuses or a magnetothermal one.

ATTENTION: After having carried out all the electrical connections, make sure that the cables are protected against any possible hits and are suitably fixed and isolated.

7 INSTUCTIONS FOR USE

7.1 PUTTING INTO OPERATION

- The whole unit can be used, opened and repaired by qualified technicians only.
- It is forbidden to use the machine if flooded by liquids or in particularly aggressive or explosive/inflammable places.
- Do not ignore the dangers for the operator's health and follow the hygienic and safety regulations.
- Check that the electrical wiring is carried out correctly according to the current regulations, and that the fuse blocks are closed and complete of fuses.
- Verify if the machine is intact.

7.2 USE

- Verify the water level inside the boiler tank. If necessary, unscrew the cap, letting out any possible air remnants inside the boiler and fill the tank with max. 2 lt of distilled water by means of a funnel, paying attention not to let it run over.
- Turn the red push button (of the ironing board) to "I". The pilot light will go on, confirming that the machine is now connected to the power supply.
- Turn on the boiler push button, as well as that one of the steam iron. The lights will go on, thus confirming the switching on. Prior to this operation it is advisable to set the iron knob on the "cotton" position, indicated by the symbol " °°° "
- Wait a few minutes until the ironing board will have reached the required temperature.
- Wait until the pilot light of the boiler turns off, indicating "boiler under pressure" (approx. 10 minutes).
- The table is now ready for use.
- By means of the relevant pedal, activate the vacuum function, both when the garments are to be placed on the ironing board, in order to simplify a uniform positioning, and when the garments are steamed-up, thus eliminating any excess steam off the clothes.
- At the end of the ironing operation, it is advisable to leave the table open to dry and to let the main switch turned on for a few minutes, in order to remove any possible condensation remnants, formed during the ironing process.
- At the end of the work and once the drying process of the board is completed (optional), turn off the boiler and the board by means of the red push button.
- Disconnect the plug from the power supply and wait until both board and iron are completely cooled down before closing the table and store it in a closed place.
- For the closing of the board, first move away the boiler and the iron, then put the board in the vertical position with the point towards the floor, press the lever situated beneath the board, closing at the same time the table legs gently.

7.3 HOW TO REFILL THE TANK WITH WATER

- If during the ironing process the steam output stops and the water warning light turns on, it means that there is not enough water inside the boiler.
- Switch off the boiler by means of the relevant switch.
- Make sure that the boiler is not under pressure anymore, by pushing repeatedly the micro switch on the steam iron, until no more steam comes out.
- Switch off the steam iron by means of the relevant switch.
- Push the water feeding cap, in order to let any possible pressure remnants inside the boiler out.
- Slowly unscrew the cap, by making sure that no steam under pressure will come out.
- Unplug the power supply.
- Wait a few minutes.
- Fill the tank with distilled and possibly warm water.
- Close the cap again, making sure that it is well tightened.
- Now reinsert the plug into the socket.
- Switch on the boiler and press the iron button on the steam generator, which will then light up.
- Wait until the warning light of the boiler turns off, indicating “boiler under pressure” (approx. 10 minutes).
- Push repeatedly the micro switch on the steam iron, in order to eliminate any condensation remnants inside the pipes.
- The table is now ready again for use.

8 TROUBLESHOOTING AND SOLVING

The following diagnostic table indicates the main irregularities which can occur, the probable causes and their possible solutions

In case of doubts and/or of problems which can't be solved, do not attempt to disassemble parts of the machine for the troubleshooting, but contact our Technical Department or the Ghidini-reseller, instead.

DIAGNOSTIC TABLE		
PROBLEMS	POSSIBLE CAUSES	SOLUTIONS
The vacuum option on the boards doesn't work	The micro switch of the pedal is faulty	<i>Replace the micro switch</i>
	Connector unplugged	<i>Insert the connector</i>
The boards are not heated	Faulty thermostat	<i>Replace the thermostat</i>
	Connector unplugged	<i>Insert the connector</i>
The machine doesn't turn on	Main switch turned off or plug not correctly inserted	<i>Make sure that the main switch is turned on, verify the fuses and the plugs.</i>
	Switch turned off	<i>Turn the switch on</i>
The iron doesn't steam	Switch of the iron or the boiler turned off.	<i>Turn the switches on</i>
	Lack of water inside the boiler “water warning light on”	<i>Fill the tank with water</i>

9 PRECAUTIONS

Read carefully the instructions and the risks related to the use of an ironing table. The operator has to know its working functions and must clearly understand its dangers with the help of the manual.

Main electrical supply

Prior to carrying out any inspection or service on the machine, it is necessary to disconnect it from the main electrical supply. Make sure, that nobody can reconnect it during the technical service.

Every installed electrical or electronic equipment must be earthed.

Inflammability

Adopt all the necessary precautions to avoid any direct contact of the machine with hot materials or flames. Put fire extinguishers near the machine for an immediate intervention in event of fire.

Noise

The machine's noise level is not very high, as it remains under 70dB (A).

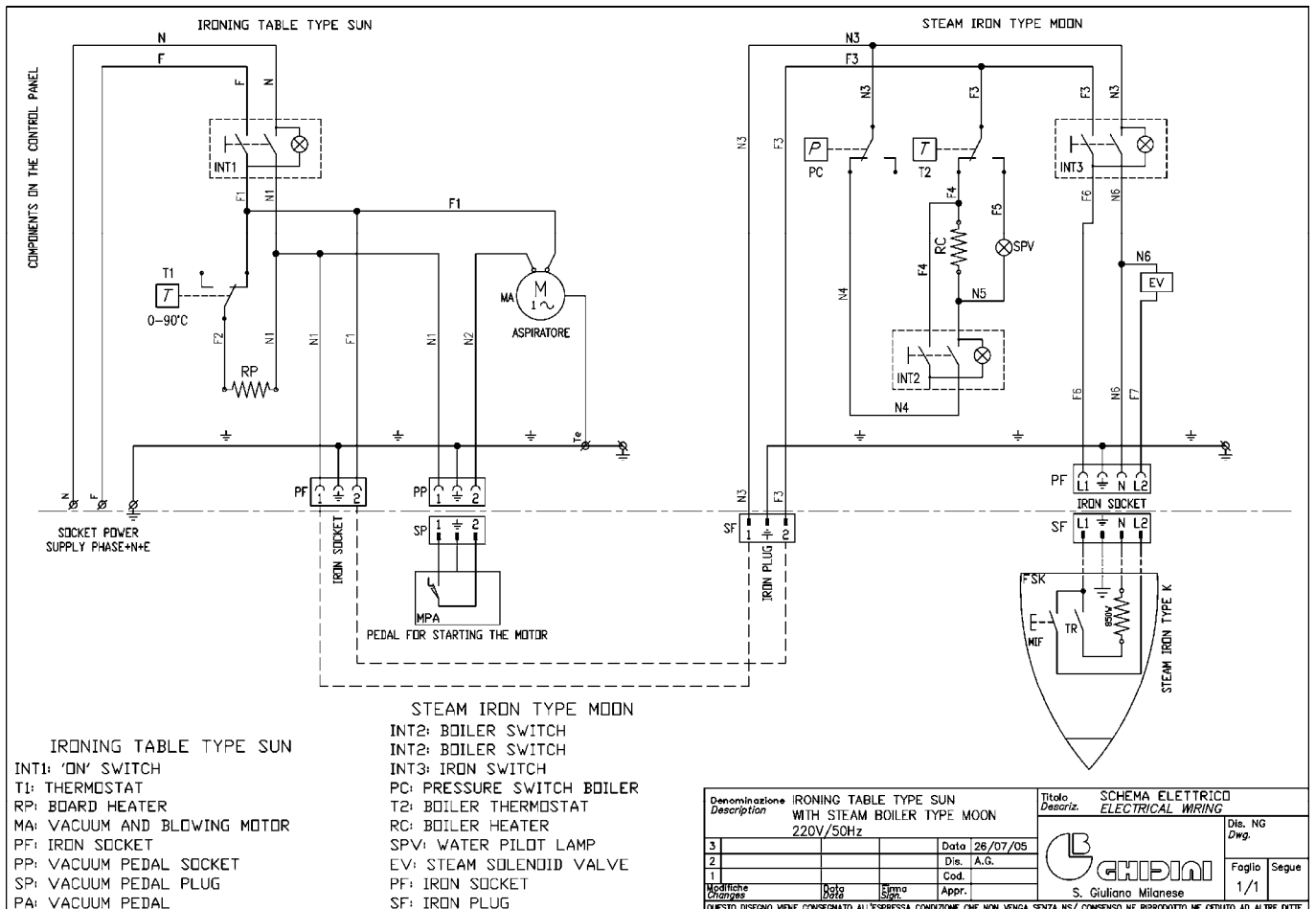
10 HAZARDOUS USE

The conformity verification according to the essential safety rules and to the provisions of the machine directive has already been carried out by filling out the specially provided checking lists, included in the technical file.

The checking lists are of two kinds:

- List of dangers (drawn from EN 1050 referring to EN 292)
- Application of the main safety features (Machine Directive– appendix. 1, part 1)

11 OVERALL DIMENSIONS AND DRAWINGS



12 MAINTENANCE PROCEDURES

No ordinary maintenance is necessary for this equipment. In case of irregularities or malfunctioning, please contact the service technician for the relevant checks.

Periodically, it is necessary to carry out the following operations:

OPERATION	Working hours
Control or replace the table cloth cover	1500
Empty the boiler completely	150

This machine does not require special equipment for check and/or maintenance operations. It is however advisable to use suitable tools and personal protections in compliance with the Italian law by decree 626/94, which have to be in good conditions (Presidential Decree 547/55), in order to avoid any damages to persons or machine components.

Make sure that the power supply is disconnected prior to any maintenance service.

13 DISPOSAL

During the maintenance on the machine, or in case of its scrapping, please dispose carefully and correctly of any polluting components, according to the local regulations. In case of scrapping, the identification rating plate and any other document have to be destroyed.

14 HOW TO ORDER SPARE PARTS

Upon the spare parts request, please quote always:

Machine type, serial number, quantity of the requested spare parts, article number (these data can be read on the rating plate or supplied by the technical information of the machine and by the user's and maintenance manual).

For electrical components with a different voltage and frequency than V 220-380/50Hz (data available on the rating plate of the faulty component), specify the right voltage and frequency after having mentioned the article number.

The technical data, the descriptions and pictures included in this manual are not binding.

The manufacturer reserves the right to make any necessary modification without notice or having to up-date the present manual.

15 HANDLING AND TRANSPORT

Before its shipment, the machine is carefully packed in a carton box. During the shipment and storing of the machine, pay particular attention to the upside indication on the packaging. Upon receipt, please check that the packing is intact and store the machine in a dry place.

16 WARRANTY

All Ghidini products are guaranteed for a maximum period of 12 months from delivery date as far as material and construction defects are concerned.

The warranty is extended as follows:

In case of malfunction of the equipment, please contact your Ghidini reseller, specifying the noticed defect, type, serial number and furthermore the operating conditions of the machine. After having received the equipment or component and after an accurate analysis, Ghidini reserve the right, whether to repair or to replace the product. If the machine is still under guarantee, the Ghidini reseller will carry out the service or replacement at Ghidini's charge. In case the returned goods are not defective, Ghidini reserve the right to charge the customer with the met expenses (shipment, etc.). The present warranty will be declared void, if the machine has been damaged due to improper use, negligence, normal wear, chemical corrosion, installation not according to the provided instructions and to the manufacturer's warnings.

Any modification, tampering and alteration on the machine or its components, carried out without prior written authorization by Ghidini, relieve the latter of any responsibility and annuls any warranty obligation. The components subject to normal wear and the perishable ones are not under warranty, as well as everything which has not been previously explicitly indicated, or damages or expenses arising from defects of the same product.

The validity conditions of the guarantee provided by Ghidini are considered implicitly accepted upon purchase of the machine. Any possible changes to or derogations from the present guarantee are only valid prior written authorization by Ghidini.


17 CONFORMITY DECLARATION

Manufacturer : GHIDINI Company
Via Tolstoj, 24 – 20098 S. Giuliano Milanese (MI) Address
+39 -02 -98.24.06.00 Phone number

Declares that:

The machine: <u>Ironing table – Sun&Moon</u>
--

- * has been designed in compliance with the DIRETTIVE DIRECTIVES OF THE EUROPEAN COMMUNITY COUNCIL referring to machines (98/37/EC) and to low voltage (BT 73/23/CEE).
- * has been designed, as far as enforceable, in compliance with the following harmonized regulations and technical specifications:
EN 292-1/2, EN 1050, EN 982, EN 11200, EN 60947, EN 894-1/2.

Managing director	Roland Fleischmann
Product manager	Name
GHIDINI S.R.L.	
Company	
	May 2005
Signature	Date



Web site: <http://www.ghidini-gb.it> - E-mail: sales@ghidini-gb.it