




Manufacturer	GHIDINI BENVENUTO s.r.l.
Product	Press - PM 98
Year	2008
Certification	

CONTENTS

1	INTRODUCTION	10	DISPOSAL
2	GENERAL DESCRIPTION	11	HAZARDOUS USE
3	MACHINE IDENTIFICATION	12	OVERALL DIMENSIONS AND DRAWINGS
4	TECHNICAL FEATURES	13	MAINTENANCE PROCEDURES
5	MACHINE COMPONENTS	14	HOW TO ORDER SPARE PARTS
6	MACHINE UNPACKING AND INSTALLATION	15	HANDLING AND TRANSPORT
7	INSTRUCTIONS FOR USE	16	WARRANTY
8	TROUBLESHOOTING AND SOLVING	17	CONFORMITY DECLARATION
9	PRECAUTIONS		

1 INTRODUCTION

The present user's and maintenance manual refers to the press "PM 98".

It is possible to receive the latest release from our Technical Commercial Department or by visiting our website www.ghidini-gb.it.

The present user's and maintenance manual contains important information for the operator's health safeguard and safety.

This manual has to be read and kept carefully, in order to be always at the operator's disposal in case of need.

Ghidini s.r.l. cannot be held liable for any damage to things or injury to persons caused by improper use of the machine in contrast with these instructions.

Any possible modifications effected on the components of the machine or its different use without prior written authorization by Ghidini s.r.l., relieve the latter of injury to persons and / or damages to things, voiding any warranty bindings, as well.

2 GENERAL DESCRIPTION

The press PM 98 is suitable for the ironing and smoothing of all kind of fabrics and leathers, removing any creases due to prior treatments.

The machine can be supplied with any kind of board types, even in the polished version of the upper buck.

The press is available with several options: built-in vacuum unit and/or boiler, spotting shape, steam iron, steam-air gun.

3 MACHINE IDENTIFICATION

A tag placed on the back of the machine indicates machine and board type, serial number, year of construction, supply voltage and pressures, as well as the electric consumption.

4 TECHNICAL FEATURES

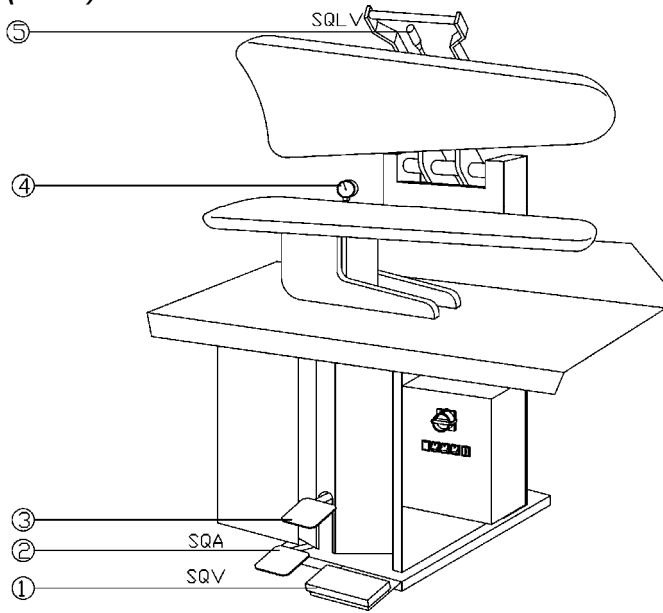
Type	BASIC	with VACUUM UNIT	with VACUUM UNIT and BOILER
Power supply	230/400V-3Ph-50/60Hz		
Steam pressure	4,5 bar		
Steam consumption	12 ÷ 20 Kg/h		
Sound intensity level	< 70 dB(A)		
Working temperature	+ 5 ÷ + 80 °C		
Working humidity	90 % max.		
Storing temperature	- 20 ÷ + 50 °C		
Vacuum unit motor	===	0,5Hp	
Discharged air volume	===	400m ³ /h	
Boiler heater	===	===	8 – 10 – 12 – 15 – 18 Kw
Pump motor	===	===	0,75Hp
Net weight	330 Kg	340 Kg	410 Kg
Gross weight (packaging included)	390 Kg	400 Kg	470 Kg
Net overall dimensions	1370x1270x1600 mm		
Overall dim. (packaging included)	1480x1150x1460 mm		

WARNING: The machine must not be supplied with other voltages and pressures than those indicated on the table.

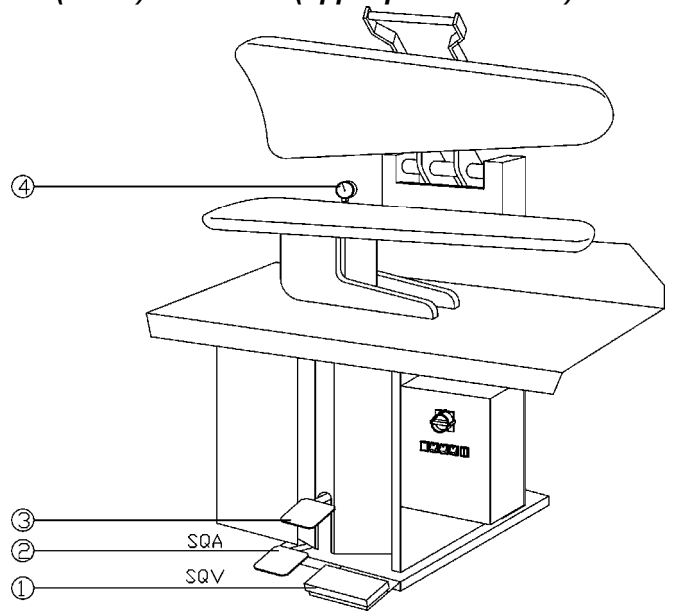
5 MACHINE COMPONENTS

The machine features the following main components:

(E-127) PM 98 U3

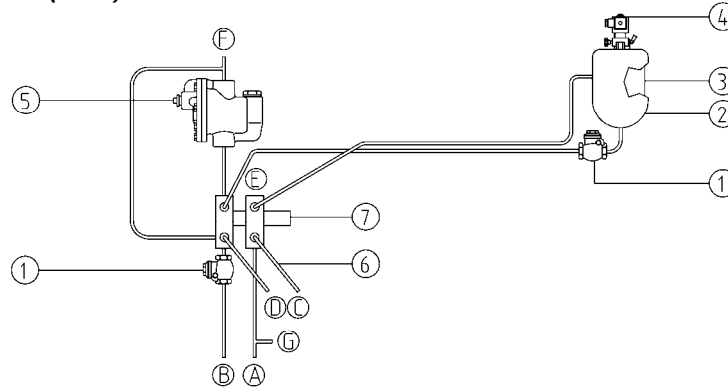


(E-131) PM 98 U3L (upper polished buck)



Pos.	ARTICLE	DESCRIPTION	Pos.	ARTICLE	DESCRIPTION
1	43B010	Steam pedal	4	E-73	Pressure gauge steam circuit (on request)
2	E-126	Vacuum unit	5	43D008	Steam lever
3	E-128	Lowering pedal/upper board locking			

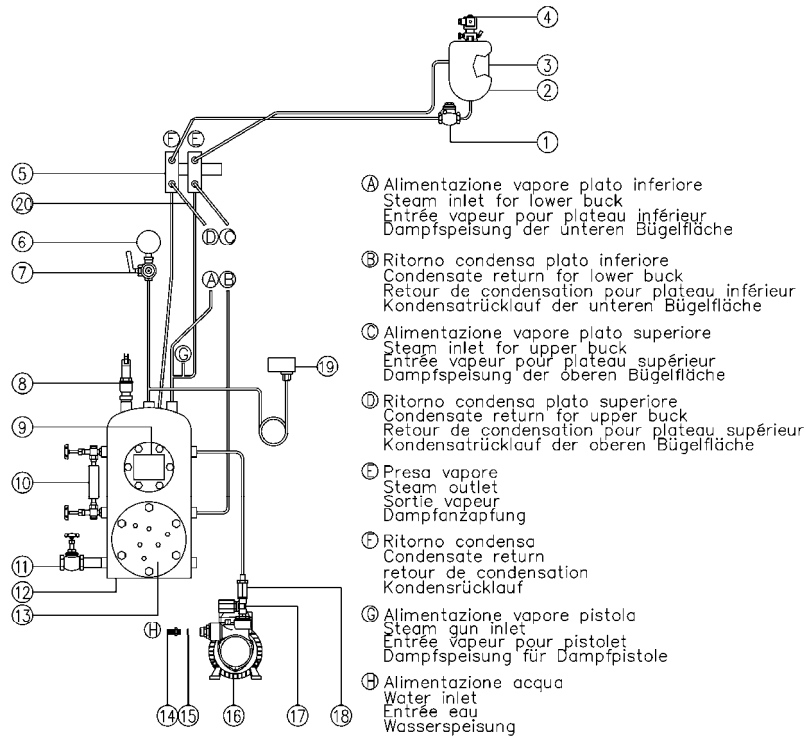
(E-75) STEAM ASSEMBLY FOR PRESSES WITHOUT BOILER



- | | |
|---|---|
| <p>Ⓐ Alimentazione vapore plato inferiore
Steam inlet for lower buck
Entrée vapeur pour plateau inférieur
Dampfspeisung der unteren B?gelfl?che</p> <p>Ⓑ Ritorno condensa plato inferiore
Condensate return for lower buck
Retour de condensation pour plateau inférieur
Kondensatr?cklauf der unteren B?gelfl?che</p> <p>Ⓒ Alimentazione vapore plato superiore
Steam inlet for upper buck
Entrée vapeur pour plateau supérieur
Dampfspeisung der oberen B?gelfl?che</p> <p>Ⓓ Ritorno condensa plato superiore
Condensate return for upper buck
Retour de condensation pour plateau supérieur
Kondensatr?cklauf der oberen B?gelfl?che</p> | <p>Ⓔ Alimentazione vapore
Steam inlet
Entrée vapeur
Dampfspeisung</p> <p>Ⓕ Ritorno condensa
Condensate return
retour de condensation
Kondensr?cklauf</p> <p>Ⓖ Alimentazione vapore pistola
Steam gun inlet
Entrée vapeur pour pistolet
Dampfspeisung f?r Dampfpistole</p> |
|---|---|

Pos.	ARTICLE	DESCRIPTION	Pos.	ARTICLE	DESCRIPTION
1	38F001	Check valve G3/8	5	38F004	Condensate discharge with inverted bucket G1/2
2	275010	Cover for condensation separator	6	413258	Jointed flexible tube G3/8 x 700
3	202052	Condensation separator	7	172105	Steam connection and condens. return assembly
4	39B003	Compl. steam solenoid valve for iron			

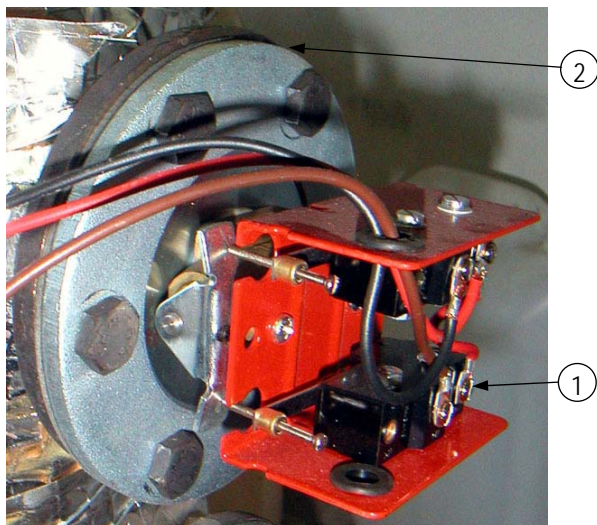
(E-73) STEAM ASSEMBLY FOR PRESSES WITH BOILER



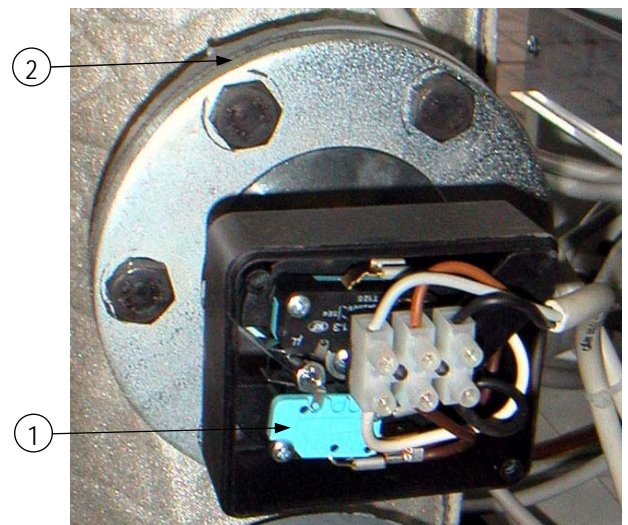
Pos.	ARTICLE	DESCRIPTION	Pos.	ARTICLE	DESCRIPTION
1	38F001	Check valve G3/8	11	37B001	Gate valve for boiler discharge G1/2
2	275010	Cover for condensation separator	12	200076	Boiler drum lt.15 PED
3	202052	Condensation separator	13	E-04	Heater flange Ø200
4	39B003	Steam solenoid valve for iron	14	36E006	Hose holder
5	172105	Steam connection and condens return assembly	15	174356	Water filter
6	35A002	Pressure gauge 0/10 bar	16	42B006	Water pump
7	37E001	Pressure gauge cock	17	39B002	Complete water solenoid valve
8	38S004	Safety valve G1/2	18	38W001	Check valve
	38S008	Safety valve G1/2 TÜV	19	45G001	Pressure switch
9	E-02	Automatic level control	20	413258	Jointed flexible tube G3/8 x 700mm
10	E-03	Visual level indicator			

(E-02) AUTOMATIC LEVEL CONTROL

art. 49A002

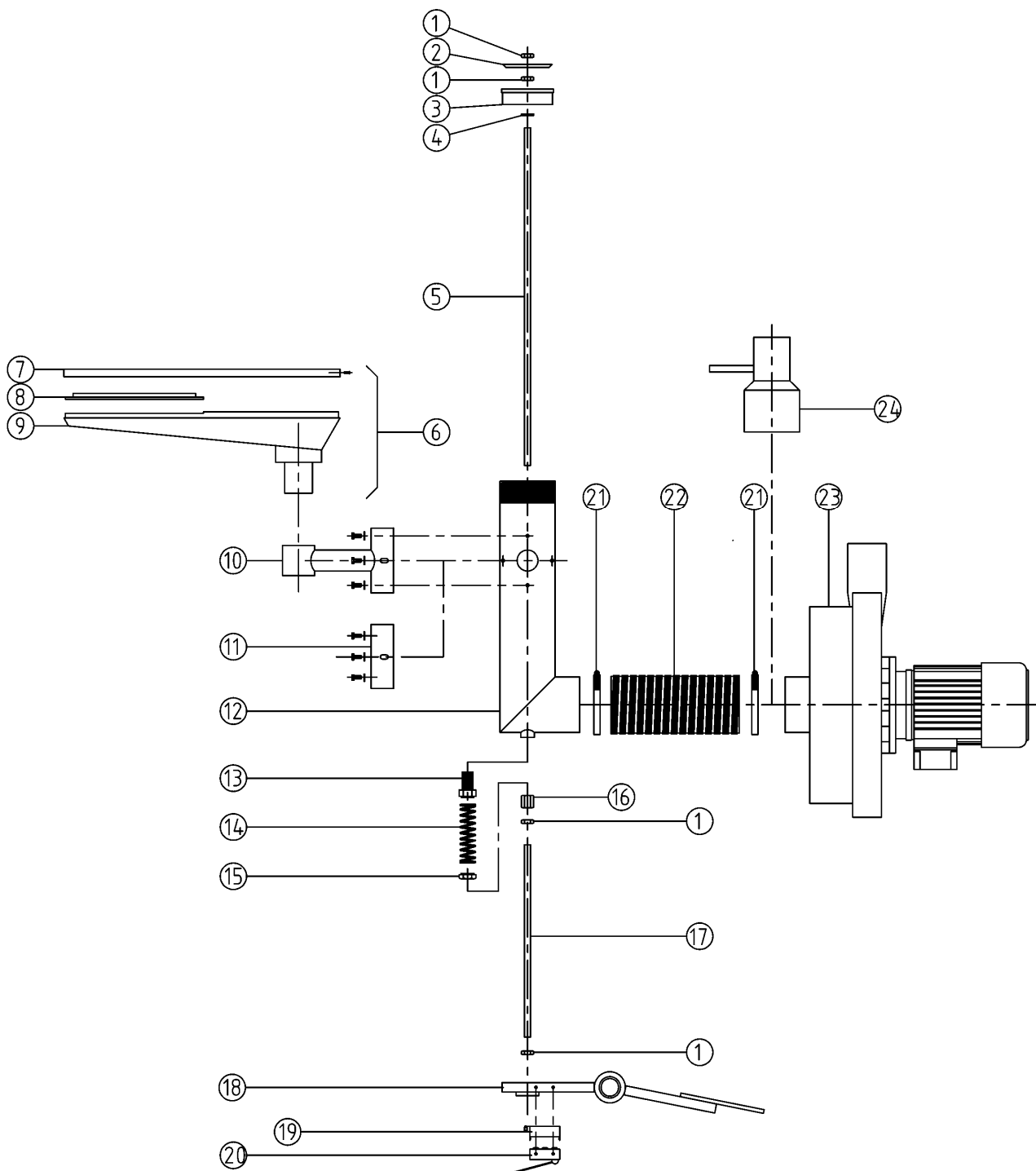


art. 49A001



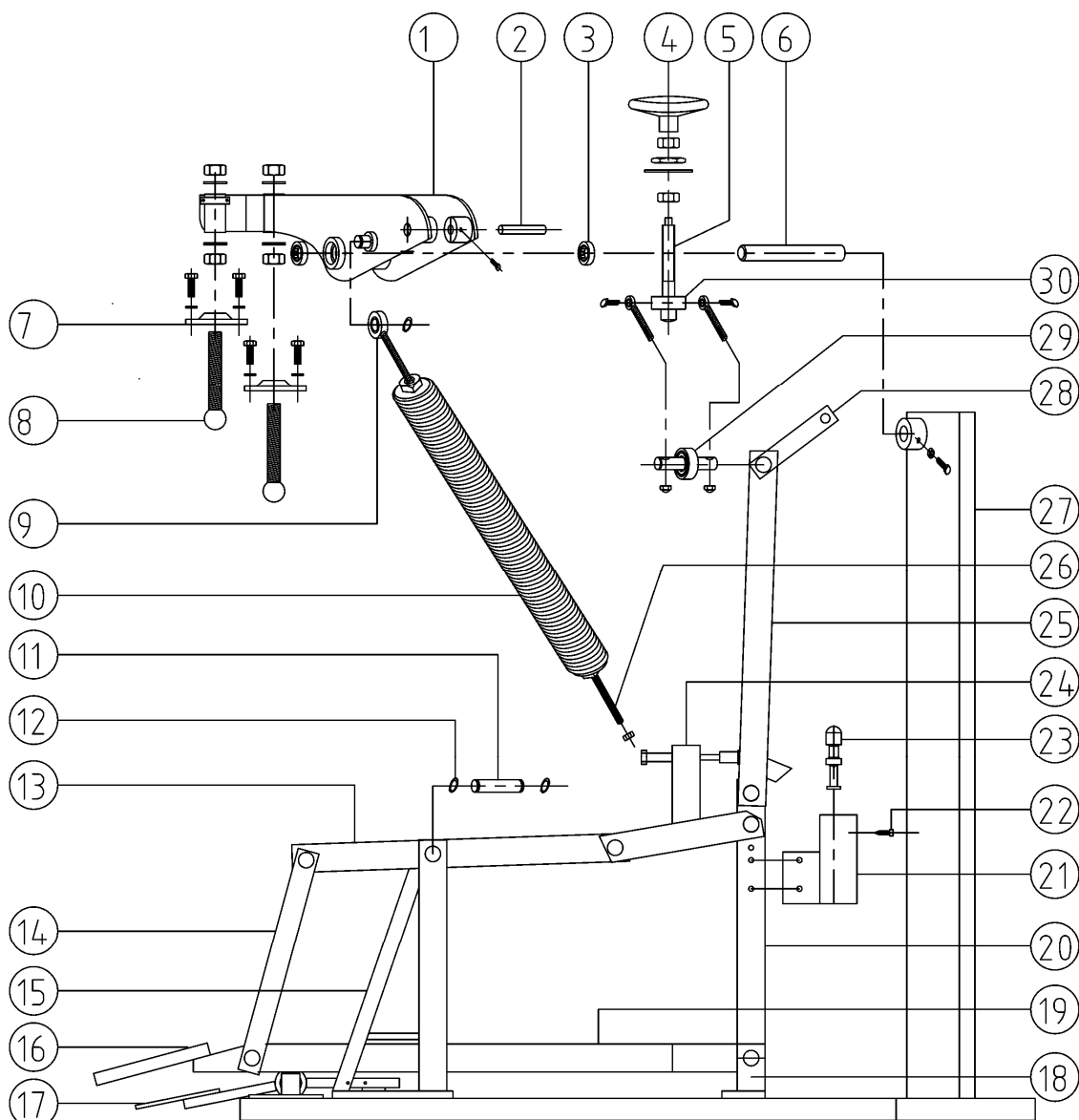
Pos.	ARTICLE	DESCRIPTION	Pos.	ARTICLE	DESCRIPTION
1	43D014	Micro-switch	1	43D013	Micro-switch
2	244236	Flange gasket	2	244236	Flange gasket
3	49G001	Float	3	49G001	Float

(E-126) VACUUM UNIT ASSEMBLY FOR PRESSES



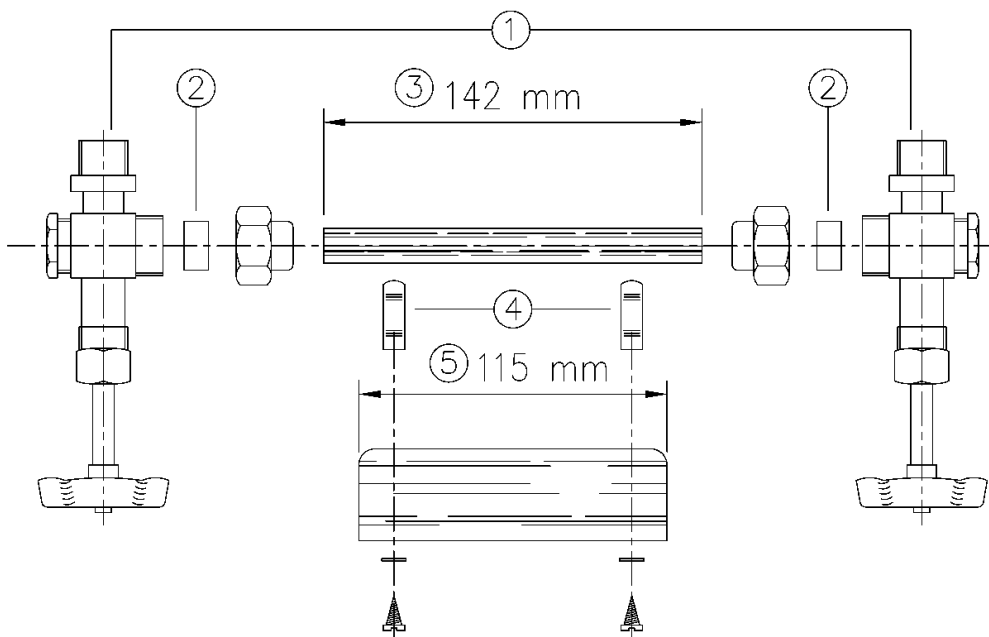
Pos.	ARTICLE	DESCRIPTION	Pos.	ARTICLE	DESCRIPTION
1	51C004	Brass nut M10	13	184344	Rod guide screw
2	184156	Valve shutoff	14	534274	Spring
3	183232	Shutoff seat	15	184408	Guide nut for spring
4	244246	Gasket	16	514053	Connection nut
5	184454	Brass rod Ø10 x 560	17	185180	Lower rod
6	Z14C00	Complete spotting shape	18	172110	Vacuum pedal
7	163433	Plate	19	43D005	Cover for vacuum pedal micro-switch
8	173298	Net	20	43D002	Micro-switch for vacuum pedal
9	342099	Shape body	21	51X006	Clamp Ø80/100
10	173427	Spotting shape support	22	03D001	Flexible aluminium tube Ø90
11	173366	Cover for spotting shape connection	23	42C011	Vacuum unit
12	173052	Vacuum valve body	24	173369	Central vacuum unit connection (only for presses without vacuum unit)

(E-128) BOARD MOVEMENT ASSEMBLY



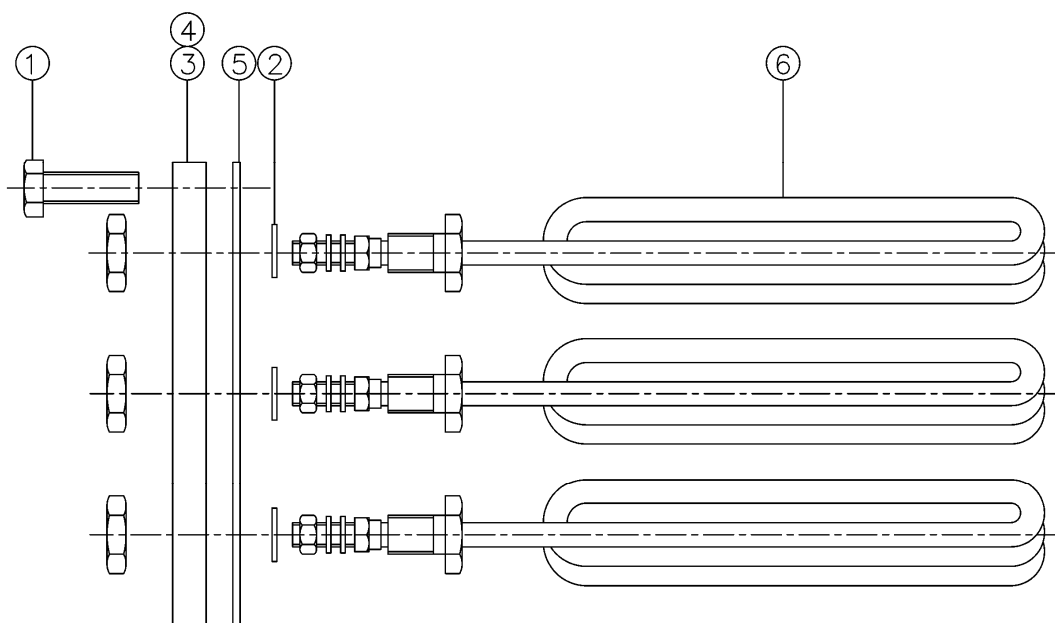
Pos.	ARTICLE	DESCRIPTION	Pos.	ARTICLE	DESCRIPTION
1	161067	Supporting arm for upper board	14	533284	Front tie rod lever
2	184403	Tie rod shaft	15	533283	Fulcrum support for front lever
3	60B001	Roller bearing	16	172111	Lowering pedal
4	184411	Handwheel	17	172110	Vacuum and releasing pedal
5	184407	Handwheel supporting pin	18	533281	Fulcrum support for central lever
6	184405	Arm shaft	19	533277	Central pedal lever
7	183367	Fixing flange for upper board	20	533282	Lever for central back fulcrum
8	183287	Tie rod L190	21	184481	Shock absorbing unit
	183288	Tie rod L160	22	184488	Adjusting screw
9	174004	Articulated joint for spring	23	184482	Shock absorbing piston
10	533182	Spring D7	24	533279	Lever with locking device
	533183	Spring D7,5	25	533280	Lever with shock absorber
	533184	Spring D8	26	174011	Tie rod L200
	533185	Spring D9	27	160038	Press framework
11	---	Lever pin D20	28	533285	Upper tie rod lever
12	51P005	Elastic Seeger ring 20E	29	184495	Ball bearing
13	533278	Central lever	30	184409	Tie rod support

(E-03) VISUAL LEVEL INDICATOR



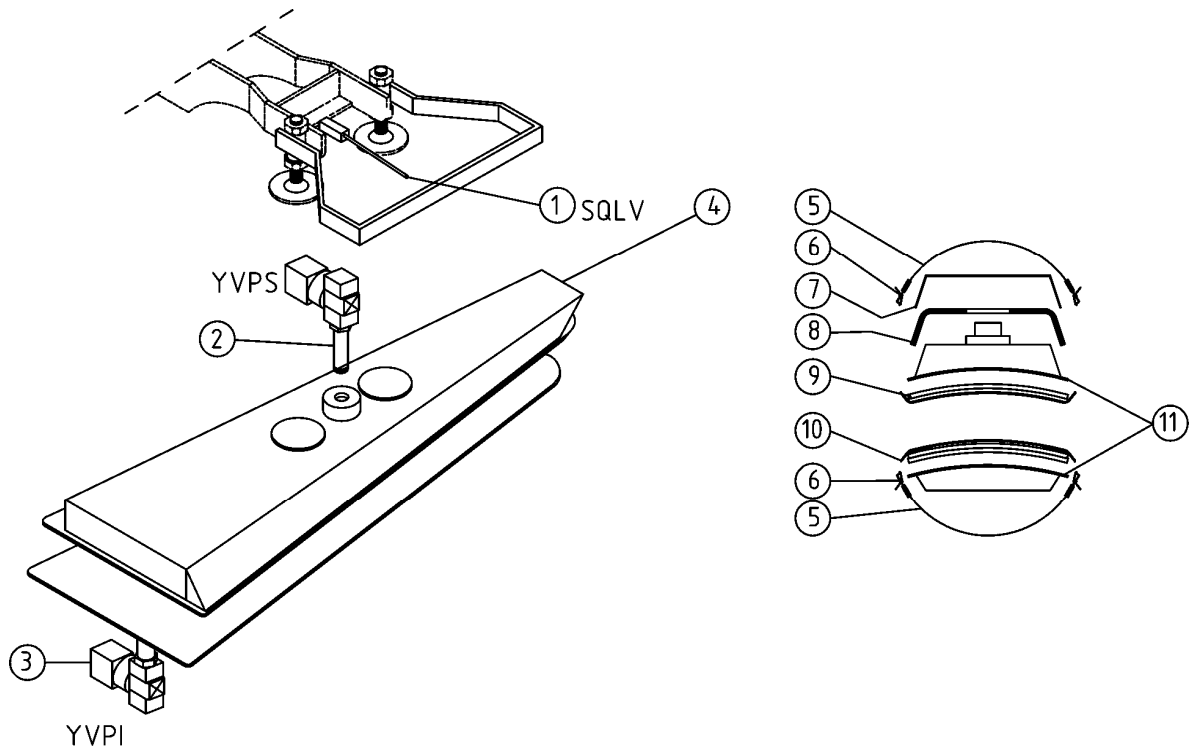
Pos.	ARTICLE	DESCRIPTION	Pos.	ARTICLE	DESCRIPTION
1	37C001	Two cocks	4	53A001	Clips for glass protection
2	244243	Gaskets	5	234218	Glass protection L.115
3	52G001	Glass L.142			

(E-04) HEATER FLANGE Ø200



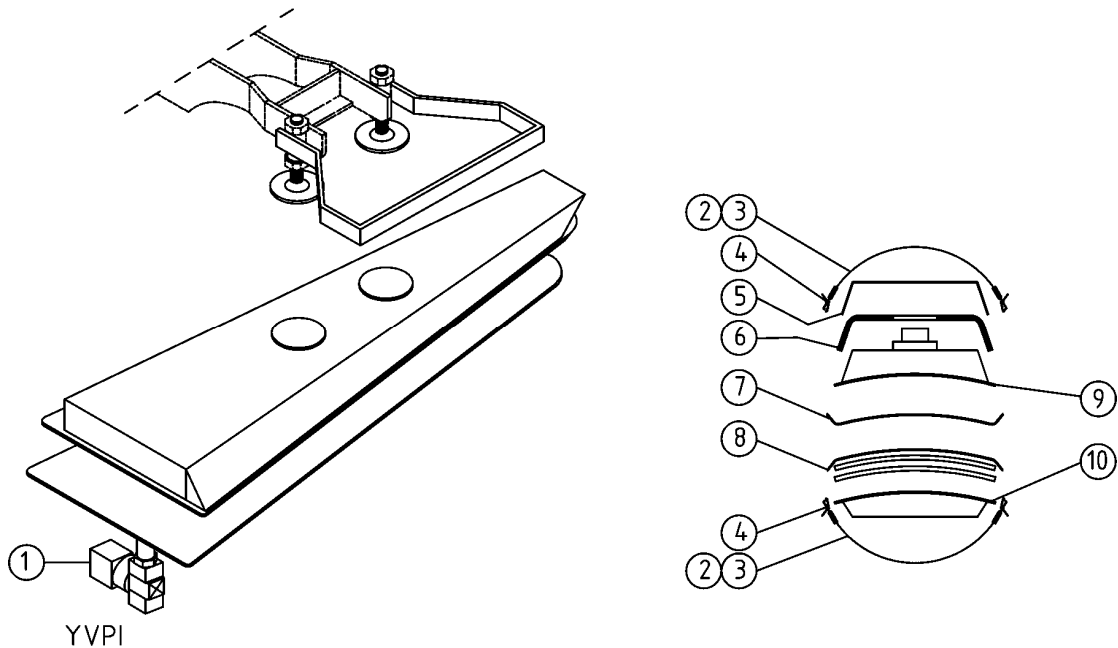
Pos.	ARTICLE	DESCRIPTION	Pos.	ARTICLE	DESCRIPTION
1	50A015	Screw M14 x 30 ASTM-A193-B7	6	213159	Heater V230 Kw2.7
2	24E002	Washer		215102	Heater V115 Kw3.3
3	183271	Flange Ø200 with ISPEL certificate		213149	Heater V230 Kw3.3
4	183268	Flange Ø200		213150	Heater V400 Kw3.3
5	244348	Gasket		213151	Heater V230 Kw4
6	213145	Heater V230 Kw1.3		213152	Heater V400 Kw4
	212159	Heater V230 Kw2		213153	Heater V230 Kw5
	213147	Heater V230 Kw2.3		213154	Heater V400 Kw5
	213148	Heater V400 Kw2.3		213155	Heater V230 Kw6

(E-129) UNIVERSAL BOARD U3



Pos.	ARTICLE	DESCRIPTION	Pos.	ARTICLE	DESCRIPTION
1	43D008	Micro-switch steam lever	7	163368	Board cover
2	39B030	Steam valve upper board	8	11D003	Heat insulation
3	39B030	Steam valve lower board	9	Z27P13	Complete padding for upper board
4	191027	Upper board U3 PM98	10	Z27P12	Complete padding for lower board
5	534262	Spring 8x80	11	191054	Lower board U3 PM98
6	534272	Cloth stretching spring			

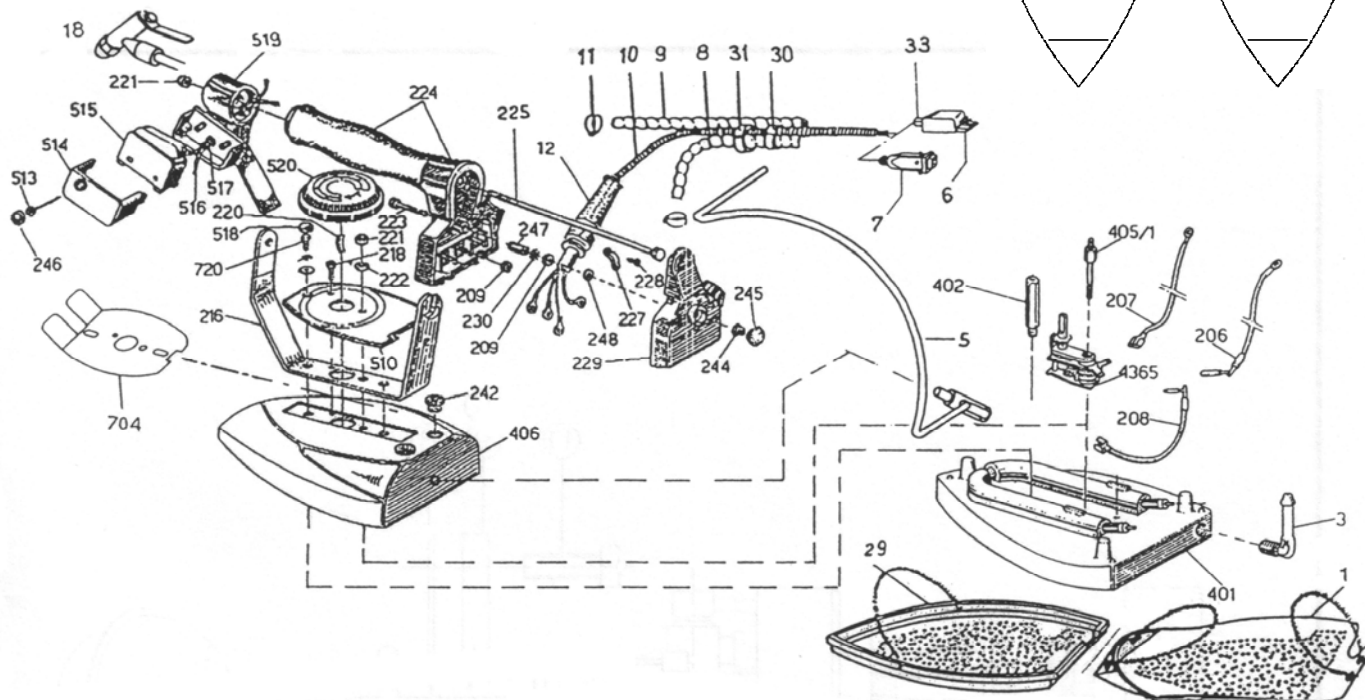
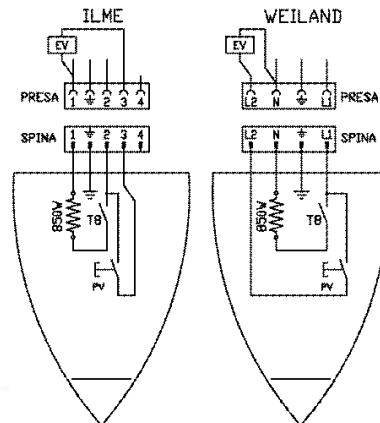
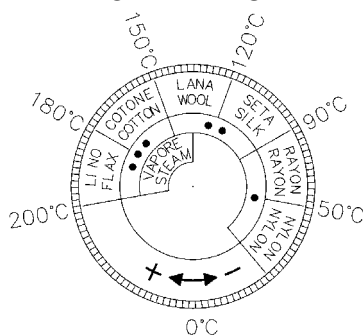
(E-130) UNIVERSAL BOARD U3L WITH UPPER POLISHED BOARD



Pos.	ARTICLE	DESCRIPTION	Pos.	ARTICLE	DESCRIPTION
1	39B030	Steam valve lower board	6	11D003	Heat insulation
2	534261	Spring 8x130	7	Z26G01	Anti-gloss plate
3	534262	Spring 8x80	8	Z27P12	Complete padding for lower board
4	534272	Cloth stretching spring	9	191038	Upper polished board U3 PM98
5	163368	Board cover	10	191054	Lower board U3 PM98

STEAM IRON TYPE "U"

TECHNICAL FEATURES	
Power supply	220V 50 Hz
Iron heater	0,830 Kw
Working temperature	+ 5 ÷ + 80 °C
Working humidity	90 % max.
Storing temperature	- 20 ÷ + 50 °C
Net weight	1,8 Kg



Pos.	ARTICLE	DESCRIPTION	Pos.	ARTICLE	DESCRIPTION
4365	45A005	Thermostat with thermal fuse	224	222056	Handle
720	184453	Fixing screw for body	223	184457	Fixing screw for handle
704	253297	Hand protection plate	222	514057	Fixing nut for body
520	224217	Hand wheel	221	514056	Nut for handle rod
519	173236	Micro-switch support	220	534288	Hand wheel spring
518	22K038	Cap for body screw	218	184455	Fixing screw for body
517	224217	Sheathing	216	172057	Handle support
516	304284	Micro-switch wires	209	514055	Nut for terminal board
515	43D009	Micro-switch complete of wires and sheathing	208	304282	Electrical wiring for heater-thermostat
514	43K007	Micro-switch case	207	304281	Electrical wiring for thermostat-terminal board
513	184451	Micro-switch screw	206	304280	Electrical wiring for heater-terminal board
510	264350	Tag	33	224255	Cable holder for plug
406	253255	Body	31	224260	Wire clamp
405/1	174020	Thermostat column	30	224215	Little spring
402	174019	Body column	29	Z23E01	Stiffened Teflon shoe
401	253254	Plate with heater	18	25A002	Water spray gun
248	184449	Isolating washers	12	224210	Cable holder
247	174018	Earth spacer	11	51X005	Clip
246	22K037	Micro-switch cap	10	Z23C00	Electric wire
245	22K036	Nut cap	9	07A002	Silicone hose
244	514058	Nut for rear cover	8	07A001	Rubber hose
242	224245	Rubber cap for wire holder	7	43H009	Plug by Ilme
230	184448	Indented washer	6	43H002	Plug by Wieland
229	222133	Rear cover	5	174009	Jointed iron hanger
228	184450	U-bolt screw	3	364297	Cable hose
227	174353	Fixing U-bolt	1	Z23E00	Teflon shoe
225	183255	Handle rod			

6 MACHINE UNPACKING AND INSTALLATION

WARNING: The unit must be installed, opened, and repaired by fully qualified technicians only.

6.1 UNPACKING

Find the most suitable place for the installation of the machine, then remove the packaging. Make sure that the machine has not been damaged during the transport and the storing.

The packaging material does not require any special precautions for its disposal, for it is not dangerous or polluting at all. Please refer to the local regulations for its disposal.

6.2 MACHINE INSTALLATION

The machine has not to be anchored to the floor, except for the installation on means of transport. Use the specially designed holes on the bedplate for its correct fixing.

In order to guarantee a correct use and operation, as well as an easy maintenance, leave enough free space around the machine

Do not place the machine in dangerous and/or explosive/inflammable places.

6.3 ELECTRICAL WIRING

The electrical wiring must be carried out as indicated on the drawing. Check that the supply voltage and the frequency correspond to those indicated on the rating plate.

The dimensions of the supply cable must suit the machine absorption and comply with the current regulations.

It is advisable to install a switch with fuses or a thermal-magnetic circuit breaker. Put the cable into the cable holder, and then tighten. Connect the cable to the feeder line terminals on the control panel, as shown on the drawing of the present manual.

Check the rotation direction of the motors; if not correct, invert two of the three input phases with each other.

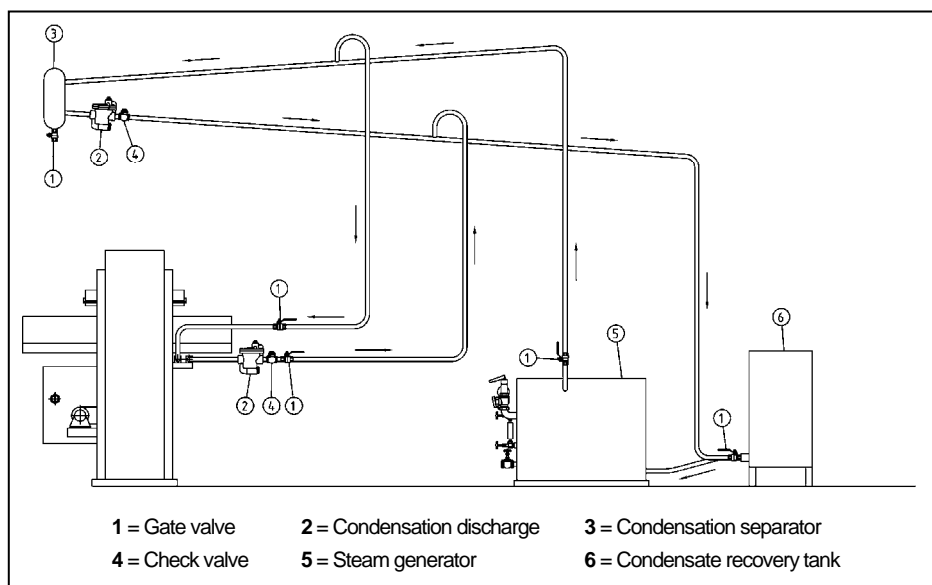
6.4 WATER CONNECTION AND BOILER DISCHARGE (only for machines with built-in boiler)

Connect the water pipes to the hose fitting $\varnothing 12$ of the machine. Install an on-off valve and a filter on the water inlet, which has to be closed each evening, in order to avoid any water sucks into the boiler. Connect the gate valve of the boiler discharge (featuring a $1/2''$ Gas-threading) to the drainage system.

6.5 STEAM SUPPLY CONNECTION (only for machines without boiler)

Connect the machine to a central steam supply as follows:

Connect a pipe with a G $1/2''$ gas threading to the top part of the steam outlet of the central unit and place an on-off-valve close to the machine. Afterwards, connect a pipe with an internal diameter of at least 15 mm to the steam intake ($\varnothing 1/2''$ Gas) of the machine. Afterwards, connect a pipe with an internal diameter of at least 15 mm to the steam intake ($\varnothing 1/2''$ Gas) of the machine. For the connection to the check valve, use a pipe with an internal diameter of at least 15 mm. The steam pressure must be of max. 6 bar.



Do not bend the pipes at right angles, but at least with a 50 mm radius. Make sure that the pipes have an even incline, especially the one for the condensation return.

Do not use traps, fittings or gate valves with a smaller diameter than the pipe, itself. The piping must not exceed 2.5 meters. The hole of the condensation return has to be at least 150 mm higher than the water level inside the boiler.

WARNING: After having carried out all the connections, make sure that pipes and cables are protected against any possible hits and are suitably fixed and isolated.

7 INSTRUCTIONS FOR USE

7.1 PUTTING INTO OPERATION

- The whole unit can be used, opened and repaired by qualified technicians only.
- It is forbidden to use the machine if flooded by liquids or in particularly aggressive or explosive/inflammable places.
- Do not ignore the dangers for the operator's health and follow the hygienic and safety regulations.
- Make sure to use suitable pipes for the corresponding working pressures.
- Check that the electrical wiring is carried out correctly according to the current regulations, and that the fuse blocks are closed and complete of fuses.
- Verify if the control and safety devices of the boiler (pressure gauge, pressure switch, and safety valve) are intact.
- Make sure that the gate valve of the boiler exhaust is correctly closed.

7.2 PRELIMINARY STEPS TO CARRY OUT BEFORE EACH STARTING

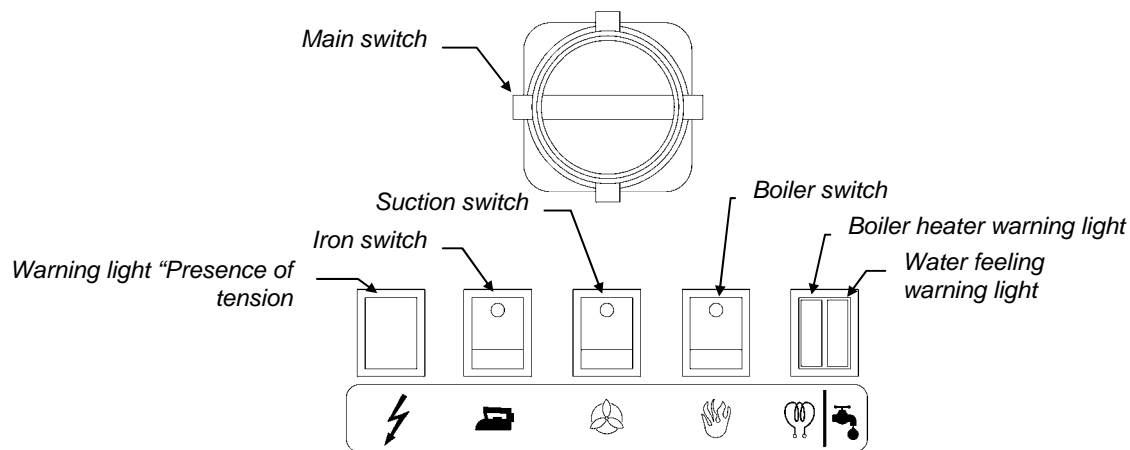
- Check if the machine is intact.
- *Machines with boiler:*
 - Open the on-off valve of the water feeding.
 - Turn on the main switch of the machine.
 - Press the boiler button.
 - The warning light of the water supply switches on automatically (the water starts running into the boiler).
 - Once the water has reached the required level (see also visual indicator) the relevant warning light switches off automatically, whereas the boiler heater and the relevant warning light turn on.
 - After a few minutes the boiler reaches the working pressure of 4.5 bar (check the pressure on the pressure gauge), the relevant warning light switches off automatically.
 - The generator is now ready to supply steam.
- *Machines without boiler::*
 - Check if the machine is connected to the central steam supply.
 - Turn on the main switch of the machine.
- *Machines with steam iron:*
 - Turn on the iron switch.
 - Adjust the temperature of the iron by turning the hand-wheel within the "steam" section.
 - Exclude the steam output of the iron, if not necessary, by means of the corresponding switch.
- Wait a few minutes until the machine has reached the required working temperature.
- Check, if the steam circuit is running regularly, by pressing and releasing several times the steam controls (central lever for upper board and right-hand pedal for the lower board).
- Some condensation may come out at the beginning. Pressing the steam controls repeatedly will facilitate a quicker steam supply.
- **Pay attention to the danger of burns during these operations.**
- If the machine is new or has not been used for a long time, it is advisable to carry out some ironing cycles without any garments.

7.3 ADJUSTMENTS AND SETTINGS

The adjustment regarding the upper board closure is carried out in the factory during the final test of the machine. By turning the handwheel placed on the upper part of the upper board support it is however possible to modify it, thus increasing or reducing the closing pressure. By turning it clockwise, the closing pressure is increased, by turning it anticlockwise it is reduced.

7.4 USE OF THE PRESS

- Place the garment onto the lower board, paying attention to avoid any undesired creases, then press on the left-hand pedal to set off the suction.
- Close the upper board by seizing the relevant handle and by pressing at the same time the central pedal, which not only simplifies the closing operation, but also locks the board as soon as it is closed.
- Activate the up-steaming on the upper board by means of the lever placed in the middle of the closing handle, whereas the up-steaming on the lower board is controlled by the right-hand pedal.
- To open the upper board, press on the left-hand pedal, which both sets off the suction, in order to avoid the shifting of the garment during the board opening, and simultaneously starts to dry the same.



7.5 USE OF THE STEAM IRON TYPE "U"

- Switch on the iron a few minutes before you start working and wait until the soleplate has reached the adjusted temperature.
- In case the temperature of the soleplate has to be kept very high, we recommend to apply a Teflon® shoe in order to prevent burns of the garment.

7.6 USE OF THE SPOTTING SHAPE

- The spotting shape is seated underneath the lower board and is connected to the vacuum duct of the same. The suction on the spotting shape is actuated by pulling the shape towards the operator.

7.7 USE OF THE STEAM-AIR GUN

- Place the garment to be treated on the spotting shape, making sure that it lies exactly on the vacuum part.
- Press the steam button of the gun, by turning the condensation-jet first towards a tank until only steam comes out.
- Draw the gun closer to the part to be treated, by pushing at the same time the vacuum and the steam pedal.
- Once the stain is dissolved, dry the treated part by pushing simultaneously the vacuum pedal and the air-button on the gun.

8 TROUBLESHOOTING AND SOLVING

The following diagnostic table indicates the main irregularities which can occur, their probable causes and possible solutions. In case of doubts and/or of problems which can't be solved, do not attempt to disassemble parts of the machine for the troubleshooting, but contact our Technical Department or the Ghidini-reseller, instead.

DIAGNOSTIC TABLE		
PROBLEMS	POSSIBLE CAUSES	SOLUTIONS
The machine doesn't turn on	Main switch turned off	<i>Make sure that the main switch is turned on</i>
	Blown fuses	<i>Check the fuses</i>
The upper board lifts to slowly	Dirty and hardened lever system	<i>Clean and grease the articulations</i>
	Spring load too weak	<i>Adjust the load by turning the corresponding screw</i>
The steam iron doesn't work	The safety thermal fuse has blown	<i>Replace by a qualified technician, by making sure to have removed the causes due to which the thermal fuse has blown, before switching on the iron again.</i>
<i>Machines without boiler</i> No steaming	Steam intake cock closed	<i>Open the cock of the steam intake</i>
<i>Machines with boiler</i> The water warning light is turned on and the water pump keeps on running without stopping	No water is streaming into the boiler	<i>Check if the water cock is open</i>
		<i>Check the presence of pressure inside the water mains.</i>
		<i>Check if the water filter is obstructed.</i>
<i>Machines with boiler</i> The heater warning light is always switched on and the boiler doesn't reach the working pressure	Leak on the boiler exhaust.	<i>Check if the gate valve of the boiler exhaust is well closed.</i>
	Burnt out heater or covered with scale.	<i>Check the heater condition.</i>

WARNING: if the safety valves is released, switch off the boiler immediately and contact a qualified technician. Do not block the exhaust and do not underestimate the problem, as there could be risk of explosion.

9 PRECAUTIONS

Read carefully the instructions and the risks related to the use of a press. The operator has to know its working functions and must clearly understand its dangers with the help of the manual.

If the machine features a steam iron, do not leave it switched on for too long and put it always back on the relevant iron rest.

Main electrical supply

Prior to carrying out any inspection or service on the machine, it is necessary to disconnect it from the main electrical supply. Make sure, that nobody can reconnect it during the technical service.

Every installed electrical and electronic equipment or basic structure must be earthed.

Inflammability

Adopt all the necessary precautions to avoid any direct contact of the machine with hot materials or flames. Put fire extinguishers near the machine for an immediate intervention in event of fire.

Pressure / Steam

Prior to any intervention, switch off the boiler first, wait until all the pipes are cooled down and check that there are no residual pressures inside the boiler or in any branch of the hydraulic circuit, as they could cause steam spurts, in case of disassembly of fittings or other components.

Noise

The machine's noise level is not very high, as it remains under 70dB (A).

10 DISPOSAL

During the maintenance on the machine, or in case of its scrapping, please dispose carefully and correctly of any polluting components, according to the local regulations. In case of scrapping, the identification rating plate and any other document have to be destroyed.

11 HAZARDOUS USE

The conformity verification according to the essential safety rules and to the provisions of the machine directive has already been carried out by filling out the specially provided checking lists, included in the technical file.

The checking lists are of two kinds:

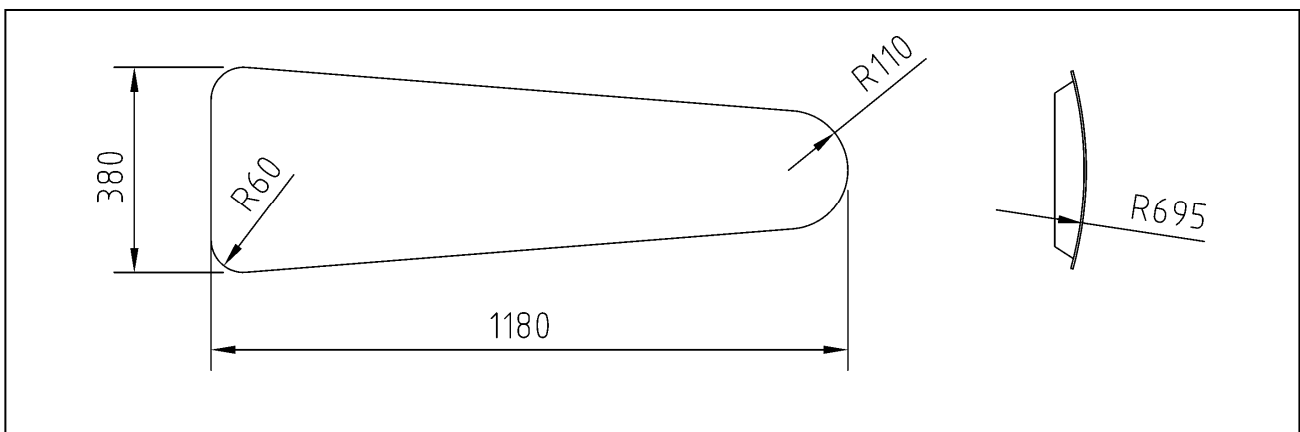
- List of dangers (drawn from EN 1050 referring to EN 292)
- Application of the main safety features (Machine Directive— appendix. 1, part 1)

The dangers described in the following have not been completely removed, but they have been deemed to be acceptable:

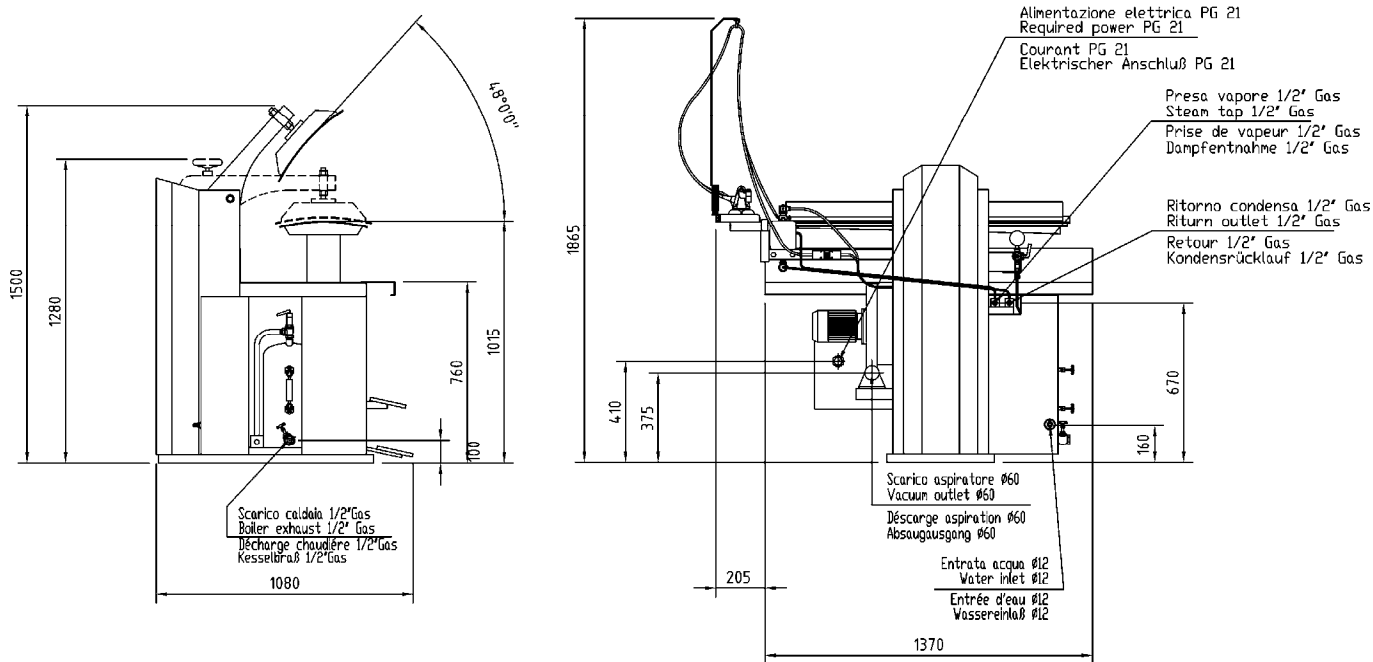
- During the maintenance operation there could be some steam jets at low pressure, (maintenance operation must therefore be carried out by using suitable protection devices).
- The user must provide for a protection against direct and indirect contacts.

12 OVERALL DIMENSIONS AND DRAWINGS

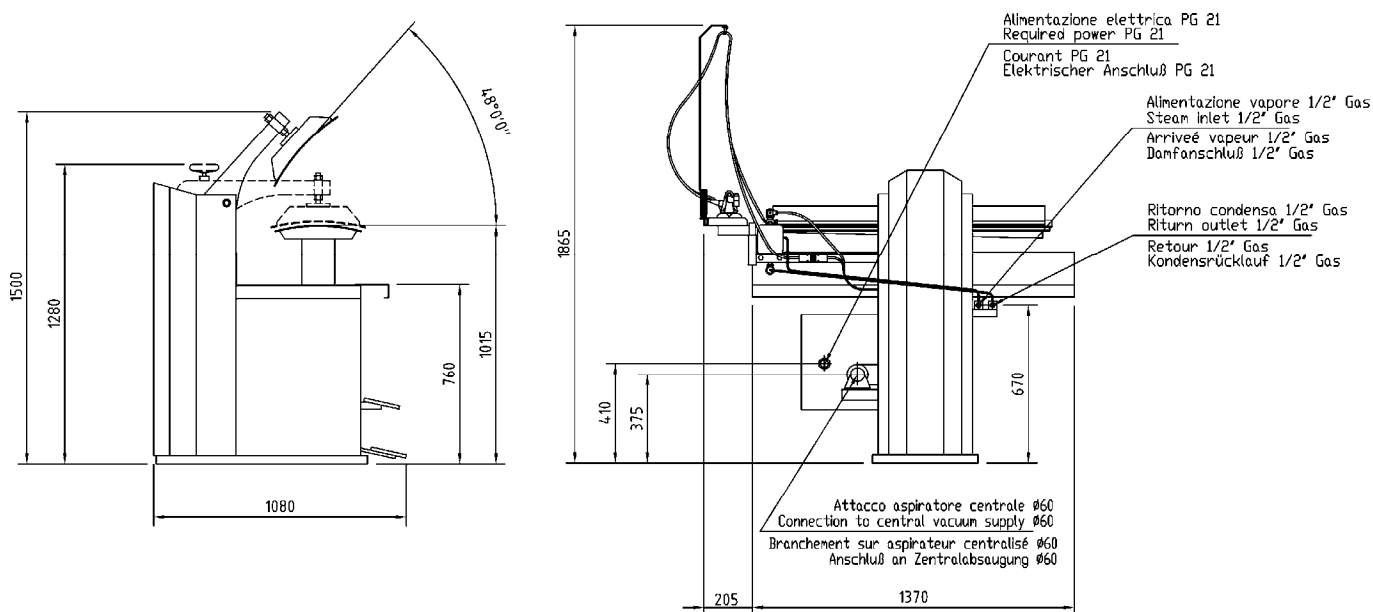
Board type U3 – U3L

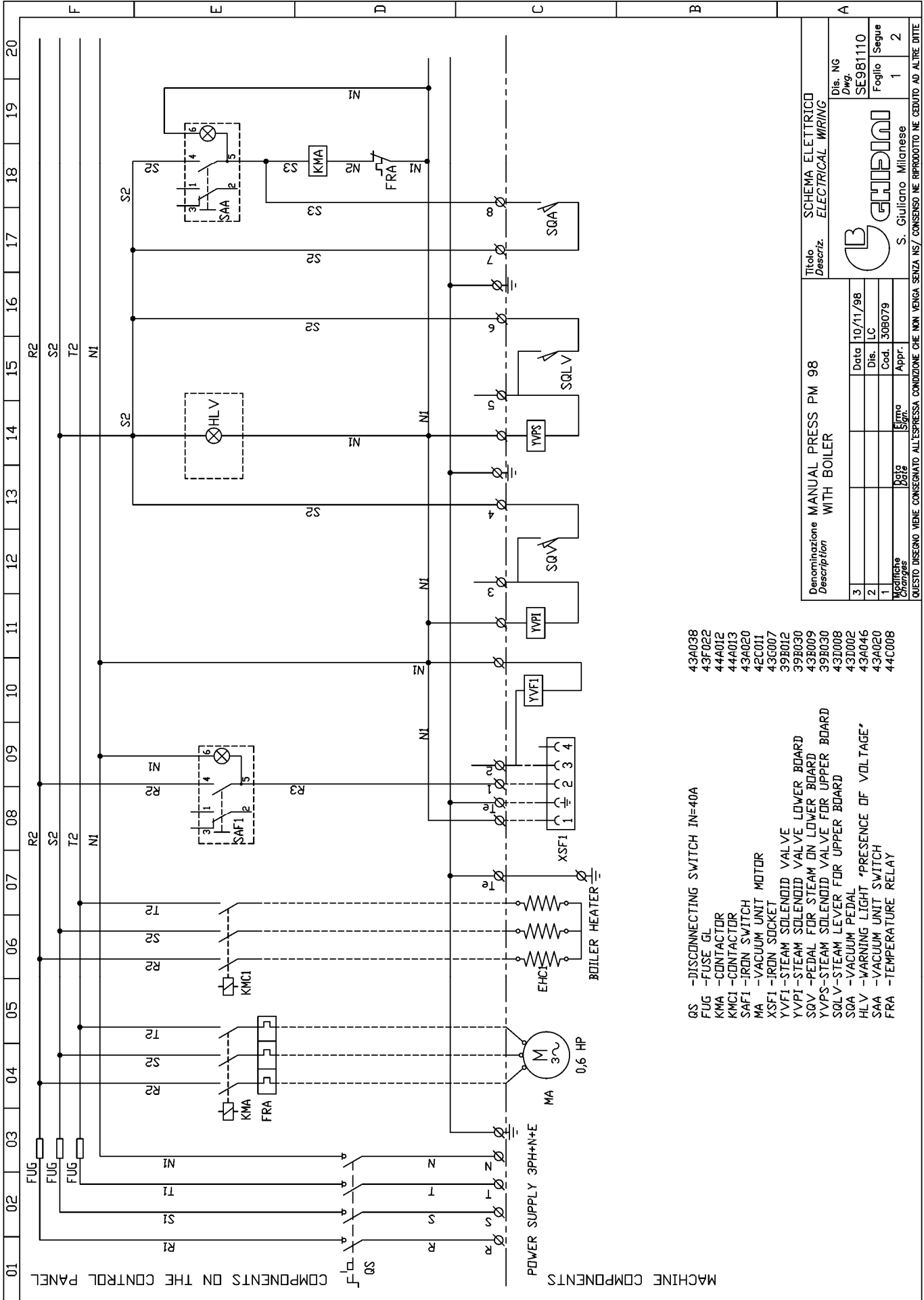


SELF-CONTAINED VERSION



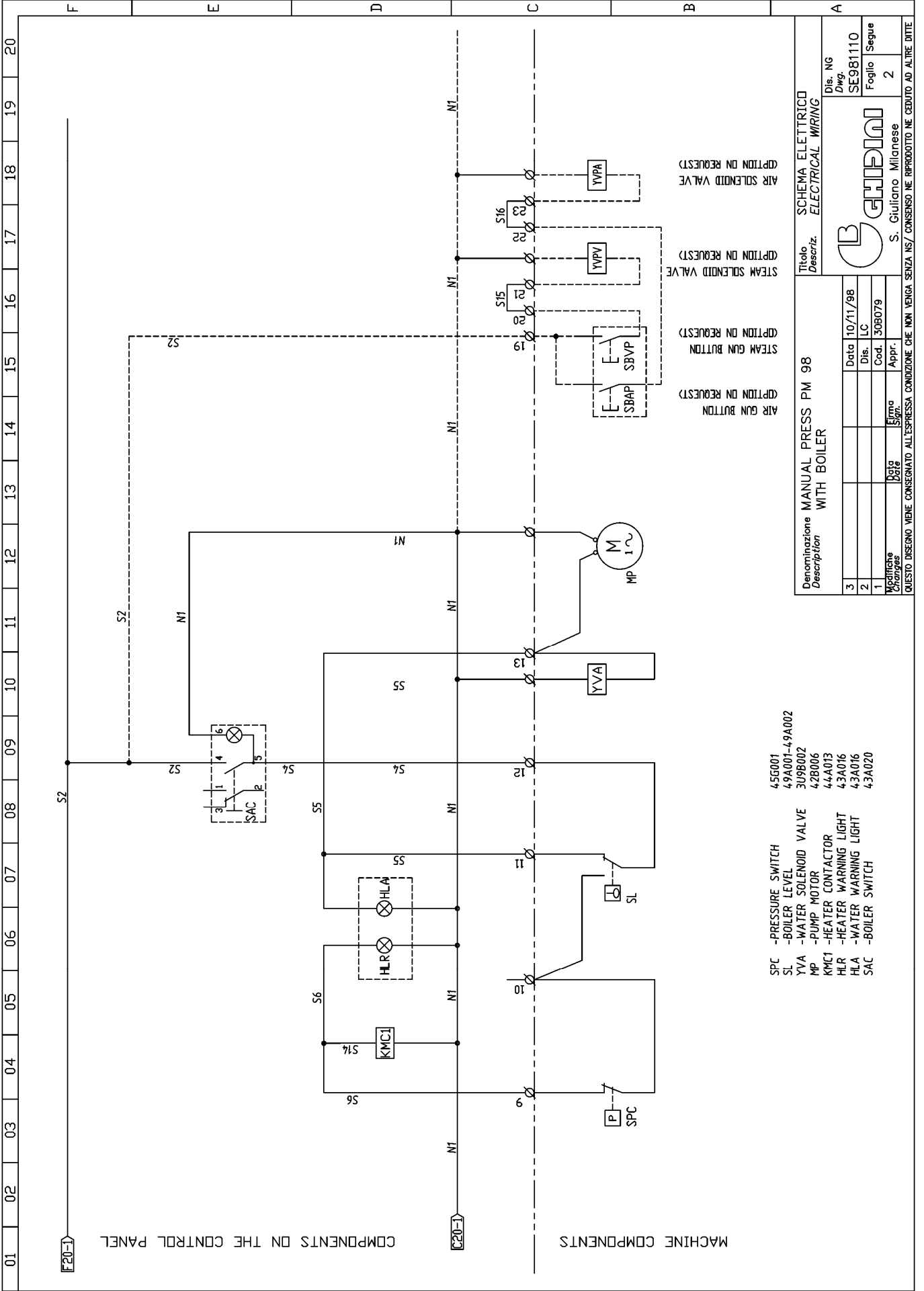
VERSION WITH CENTRAL VACUUM SUPPLY





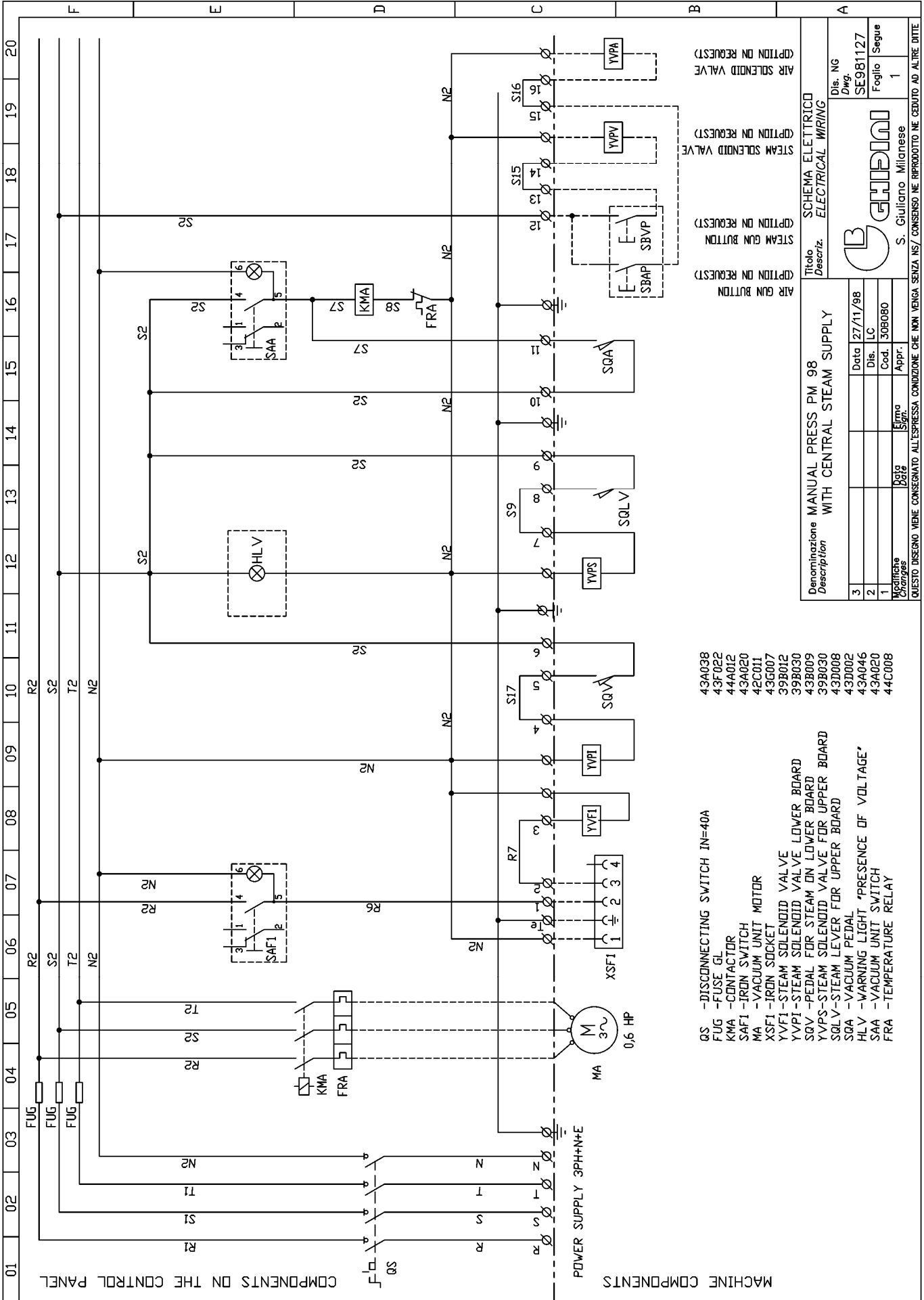
Denominazione Description		MANUAL PRESS PM 98 WITH BOILER	
Titolo Descriz.		SCHEMA ELETTRICO ELECTRICAL WIRING	
Dis. NG Dwg.		SE981110	
Foglio		1	
Segue		2	
Modifiche Changes		Data 10/11/98	
Dis. LC		Cod. 308079	
Appr.		Firma	
Dis. NG		S. Giuliano Milanese	





Denominazione Description		MANUAL PRESS PM 98		TITOLO Descriz.		SCHEMA ELETTRICO ELECTRICAL WIRING	
3	Modifiche Changes			Data	10/11/98	Dis. NG Dwg.	SE981110
2				Dis. LC		Foglio	2
1				Cod.	308079	Segue	
				Firma		S. Giuliano Milanese	
				Appr.		QUESTO DISEGNO VIENE CONSEGNATO ALL'ESPRESSA CONDIZIONE CHE NON VENGA SENZA NS/ CONSENSO NE RIPRODOTTO NE CEDUTO AD ALTRE DITTE	





- QS -DISCONNECTING SWITCH IN=40A
 FUG -FUSE GL
 KMA -CONTACTOR
 SAF1 -IRON SWITCH
 MA -VACUUM UNIT MOTOR
 XSFI -IRON SOCKET
 YVFI -STEAM SOLENOID VALVE LOWER BOARD
 YVPI -STEAM SOLENOID VALVE LOWER BOARD
 SQV -PEDAL FOR STEAM ON LOWER BOARD
 YVPS -STEAM SOLENOID VALVE FOR UPPER BOARD
 SQLV -STEAM LEVER FOR UPPER BOARD
 SQA -VACUUM PEDAL
 HLV -WARNING LIGHT *PRESENCE OF VOLTAGE*
 SAA -VACUUM UNIT SWITCH
 FRA -TEMPERATURE RELAY
- 43A038
 43F022
 44A012
 43A020
 42C011
 43G007
 39B012
 39B030
 43B009
 39B030
 43D008
 43D002
 43A046
 43A020
 44C008

Denominazione Description		MANUAL PRESS PM 98 WITH CENTRAL STEAM SUPPLY	
3	Data	27/11/98	
2	Dis. LC		
1	Cod.	308080	
Modifiche Changes		Dis. NG	SE981127
		Foglio	1
		Segue	

Titolo SCHEMA ELETTRICO
 Descriz. ELECTRICAL WIRING
 Dis. NG
 Dwg. SE981127
 Foglio 1
 Segue

GHIARDINI
 S. Giuliano Milanese

13 MAINTENANCE PROCEDURES

In case of irregularities or malfunctioning, please contact the service technician for the relevant checks.

Periodically, it is necessary to carry out the following operations:

OPERATION	WORKING HOURS
Boiler discharge (*)	40
Cleaning of the water filter	1500
Cleaning of the boiler, and of the heating elements	2500
Cleaning of the condensation return filter	500
Lubrication of pedal rods and of all moving parts subject to friction	2500

(*): Discharge the boiler once it has reached 1 bar of pressure, in order to remove any limescale or dirt deposits. When the machine is switched off, open slowly the gate valve of the boiler exhaust. We recommend to carry out this operation before you start working and not in the evening at the end of work, as the fresh water streaming into the boiler is rich in oxygen, increasing during the night the corrosion process inside the drum.

This machine does not require special equipment for check and/or maintenance operations. It is however advisable to use suitable tools and personal protections in compliance with the Italian law by decree 626/94, which have to be in good conditions (Presidential Decree 547/55), in order to avoid any damages to persons or machine components.

Make sure that the power supply and the hydraulic system are disconnected prior to any maintenance service.

14 HOW TO ORDER SPARE PARTS

Upon the spare parts request, please quote always:

Machine type, serial number, quantity of the requested spare parts, article number (these data can be read on the rating plate or supplied by the technical information of the machine and by the user's and maintenance manual).

For electrical components with a different voltage and frequency than V 230-400/50Hz (data available on the rating plate of the faulty component), specify the right voltage and frequency after having mentioned the article number.

The technical data, the descriptions, and pictures included in this manual are not binding.

The manufacturer reserves the right to make any necessary modification without prior notice or having to up-date the present manual.

15 HANDLING AND TRANSPORT

Before its shipment, the machine is carefully packed in a wooden crate. During the shipment and storing of the machine, pay particular attention to the upside indication on the packaging. Upon receipt, please check that the packing is intact and store the machine in a dry place.

16 WARRANTY

All Ghidini products are guaranteed for a maximum period of 12 months from delivery date as far as material and construction defects are concerned.

The warranty is extended as follows:

In case of malfunction of the equipment, please contact your Ghidini reseller, specifying the noticed defect, type, serial number and furthermore the operating conditions of the machine. After having received the equipment or component and after an accurate analysis, Ghidini reserve the right, whether to repair or to replace the product. If the machine is still under guarantee, the Ghidini reseller will carry out the service or replacement at Ghidini's charge. In case the returned goods are not defective, Ghidini reserve the right to charge the customer with the met expenses (shipment, etc.). The present warranty will be declared void, if the machine has been damaged due to improper use, negligence, normal wear, chemical corrosion, installation not according to the provided instructions and to the manufacturer's warnings.

Any modification, tampering and alteration on the machine or its components, carried out without prior written authorization by Ghidini, relieve the latter of any responsibility and annuls any warranty obligation. The components subject to normal wear and the perishable ones are not under warranty, as well as everything which has not been previously explicitly indicated, or damages or expenses arising from defects of the same product.

The validity conditions of the guarantee provided by Ghidini are considered implicitly accepted upon purchase of the machine. Any possible changes to or derogations from the present guarantee are only valid prior written authorization by Ghidini.

17 CONFORMITY DECLARATION

Manufacturer:

GHIDINI
Company

Via Tolstoj, 24 – 20098 S. Giuliano Milanese (MI)
Address

+39 -02 -98.24.06.00
Phone number

Declares that:

The machine:

Press - **PM 98**

- * has been designed in compliance with the DIRECTIVES OF THE EUROPEAN COMMUNITY COUNCIL referring to machines (98/37/EC) and to low voltage (BT 73/23/CEE).
- * has been designed, as far as enforceable, in compliance with the following harmonized regulations and technical specifications:
EN 292-1/2, EN 1050, EN 982, EN 11200, EN 60947, EN 894-1/2.

Managing director
Product manager

Roland Fleischmann
Name

GHIDINI S.R.L.
Company



Signature

January 2008
Date



Web site: <http://www.ghidini-gb.it> - E-mail: sales@ghidini-gb.it