

Zoje B9500

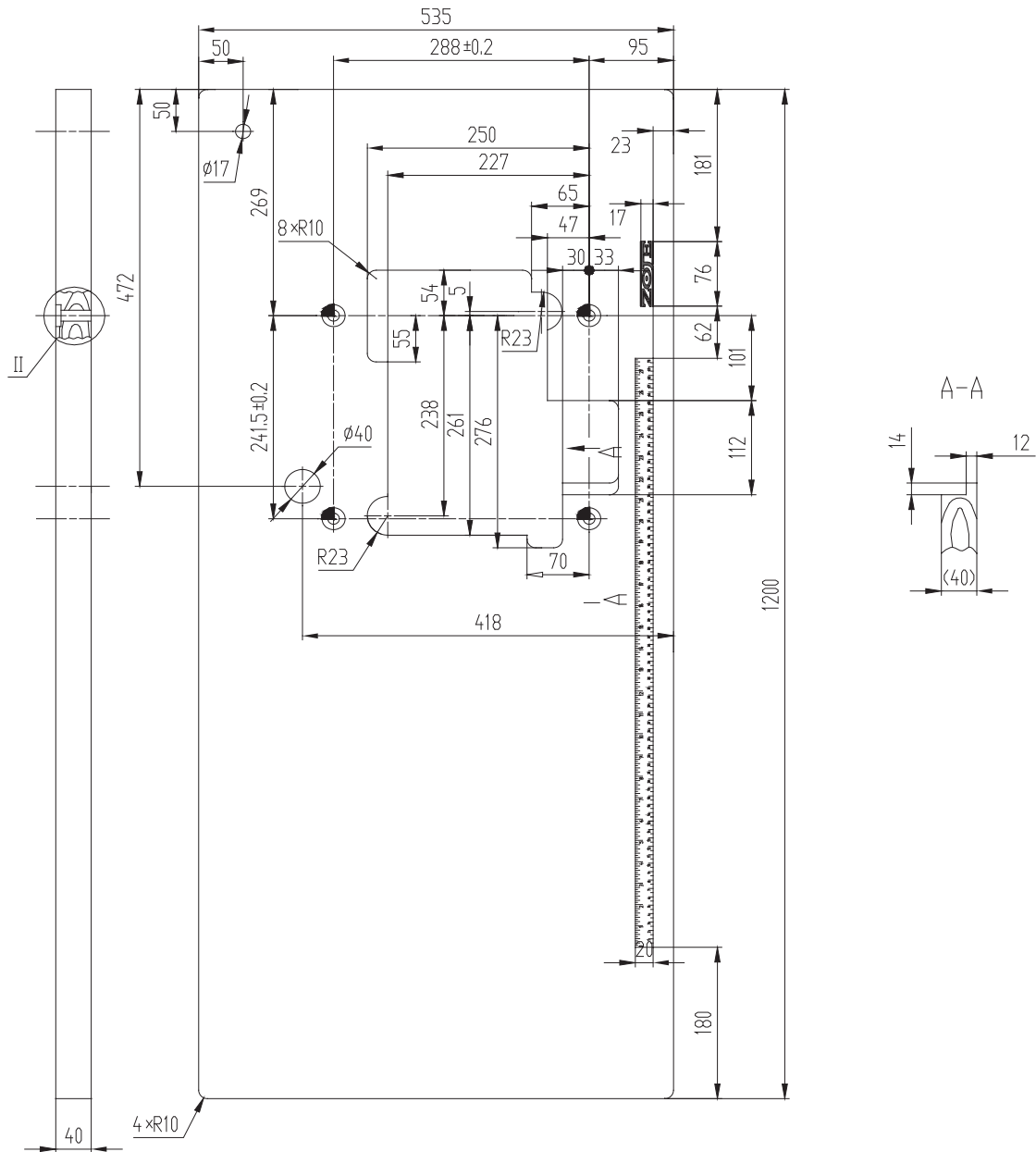
Part Book

台板加工图

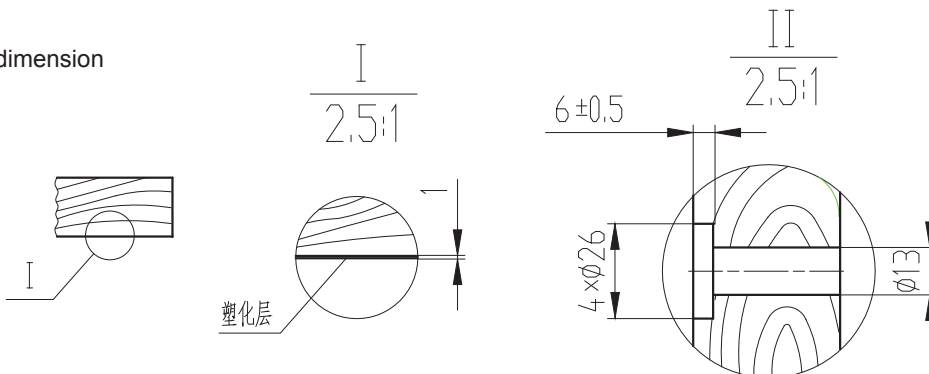
Schematic diagram of the machine table

请参照下图进行台板的加工

Cut the table referring to the diagram



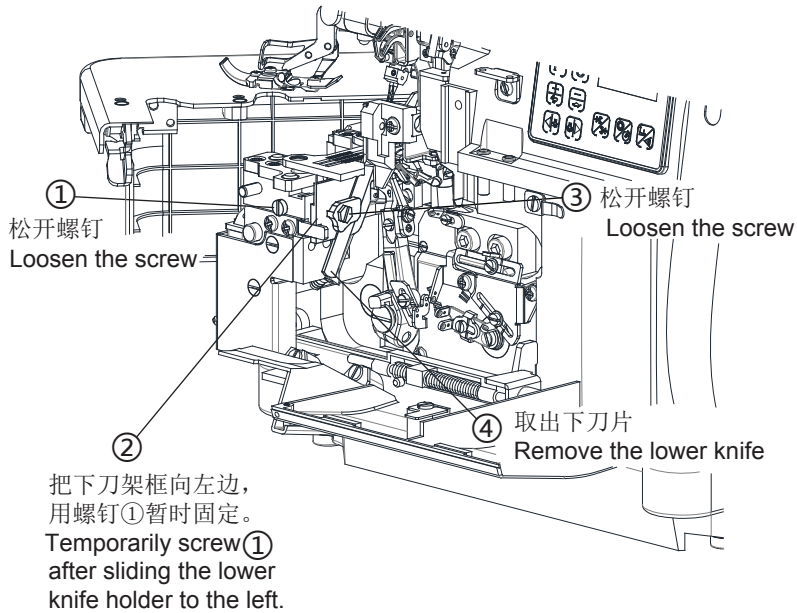
标准尺寸
Standard dimension



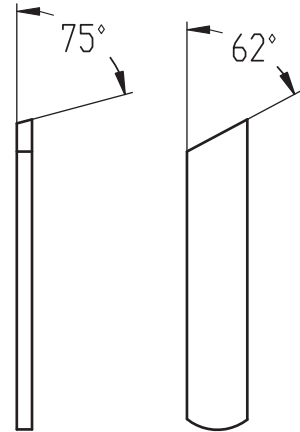
下刀片的更换 Replacing the lower knife

卸下下刀片

To remove the lower knife

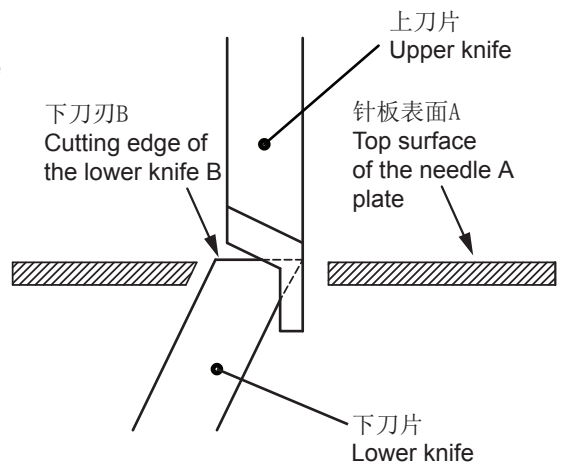
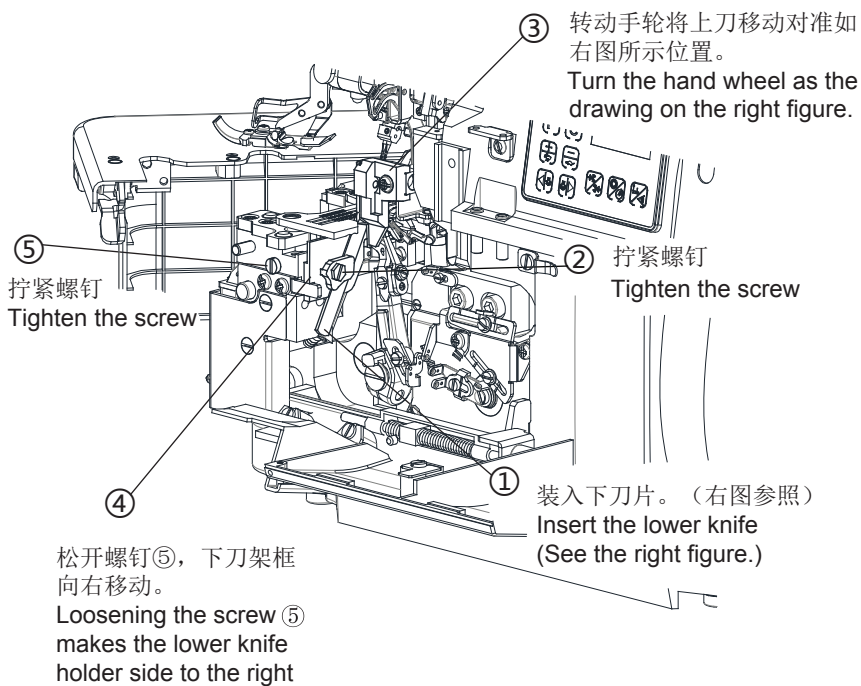


下刀片正确的研磨角度
Correct angles to resharpen the lower knife



安装下刀片

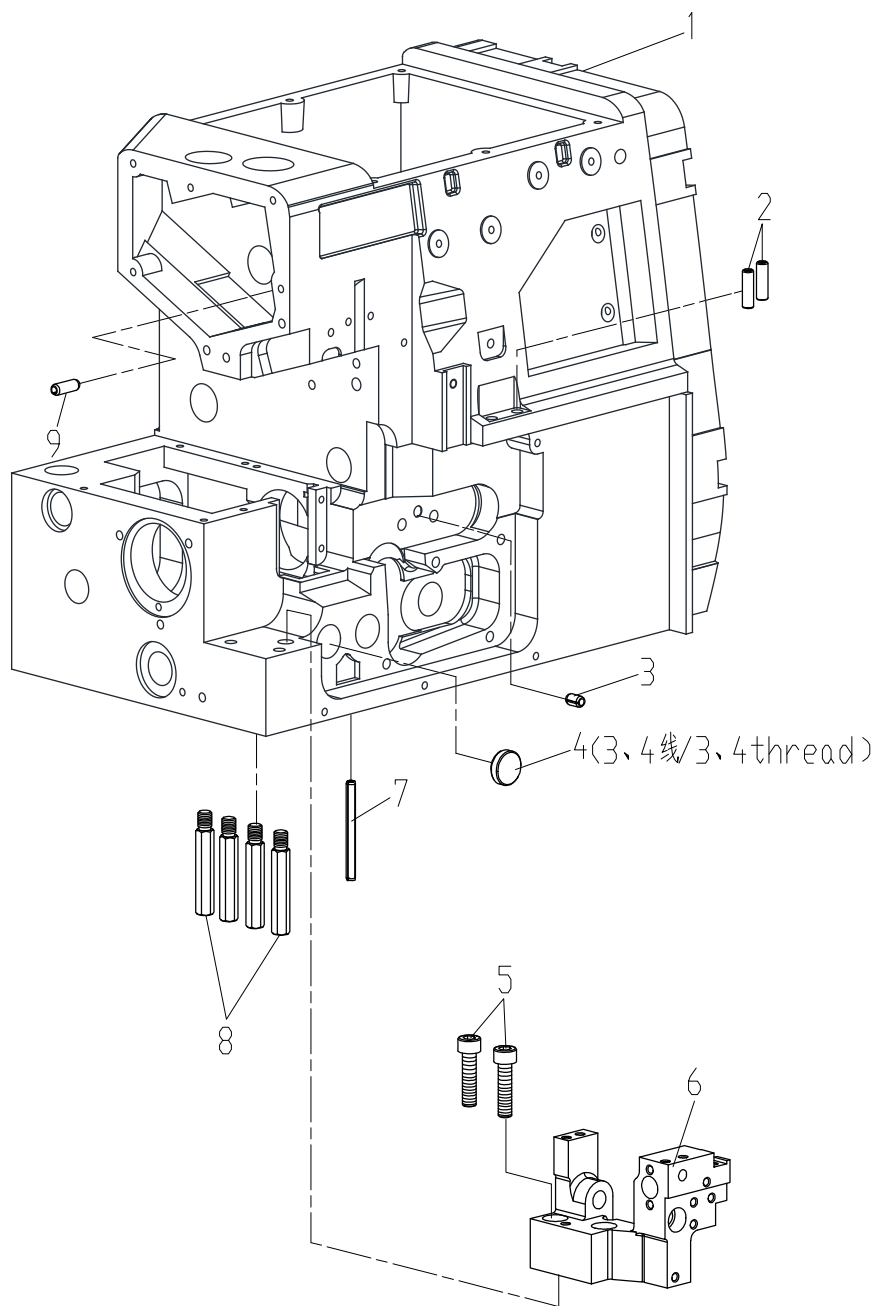
To replace the lower knife



使针板表面A与下刀刃B处于相同水平位置。
Level of [A]=Level of [B]

装好下刀片后进行剪线，确认剪线状况。
Check cutting action of knife.

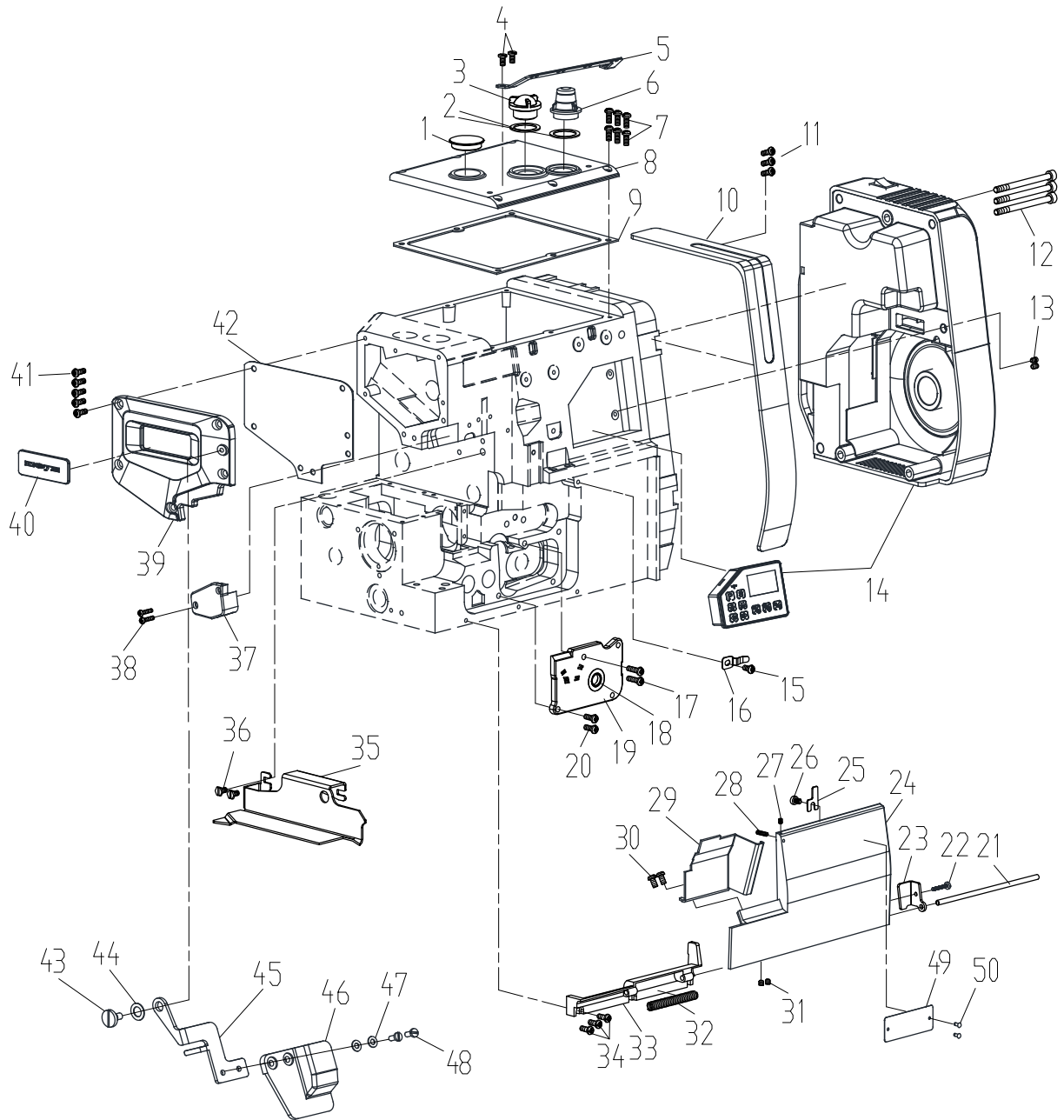
1. 机壳部件/HOUSING FRAME



1. 机壳部件/HOUSING FRAME

序号 No.	件号 Parts No.	Description	数量 QT.
1	20023847	housing	1
2	10054228	threading pipe for upper and lower loopers	2
3	10002836	pin	1
4	10008961	rubber plug	1
5	10009171	screw	2
6	10009050	lower knife bed	1
7	10002830	pin	1
8	10011847	support for housing	4
9	10002833	pin	1

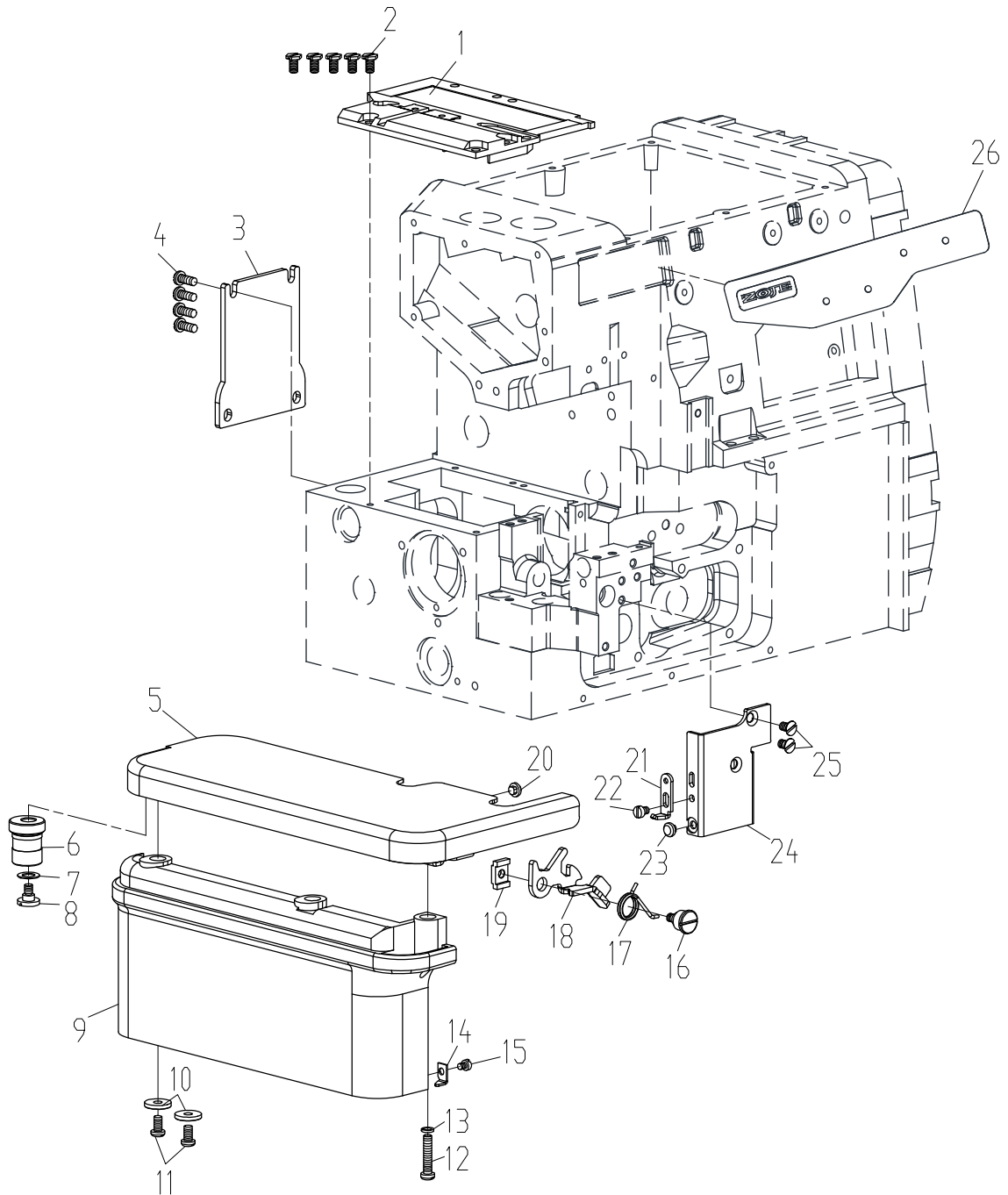
2. 外罩部件(1)/OUT COVER FRAME(1)



2. 外罩部件(1)/OUT COVER FRAME(1)

序号 No.	件号 Parts No.		Description	数量 QT.
1	10045754		rubber plug	1
2	10009156		oil window rubber ring	2
3	10008938		oil window	1
4	10010554		screw	2
5	10063871		a wire frame	1
6	10062483		oil window	1
7	10009104		screw	6
8	20023697		upper cover	1
9	10062480		seal cushion for upper cover	1
10	10062489		trim strip	1
11	10010595		screw	3
12	10053560		screw	3
13	10003150		screw	2
14	☆		simple electronic control	1
15	10004171		screw	1
16	10033682		spring plate	1
17	10008965		screw	2
18	10009399		oil seal	1
19	10008917		cover for upper looer stand	1
20	10011044		screw	2
21	10062485		pin	1
22	10063870		screw	1
23	10008911		guiding plate	1
24	20023695		right part of the front cover	1
25	10059247		fender for right part of front cover	1
26	10004171	螺钉M4×4.5	screw	1
27	10013019	螺钉M3×4	screw	1
28	10009550	螺钉M3×10	screw	1
29	10062482		midle part of the front cover	1
30	10010554	螺钉M4×5.5	screw	2
31	10023463	螺钉M4×4	screw	2
32	10009509		spring	1
33	10008880		supporting part	1
34	10009037		screw	3
35	10008920		the cover plate	1
36	10009157		screw	2
37	10064191	B9500机头灯	head lamp	1
38	10011044		screw	2
39	20023696		side cover	1
40	10062054		decoratire plate	1
41	10010594		screw	8
42	10062593		side gasket	1
43	10009044		screw	1
44	10010596		washer	1
45	10062486		support plate	1
46	10008878		safety cover	1
47	10009599		washer	2
48	10009600		screw	2
49	☆		date of the card	1
50	10002840		rivet	2

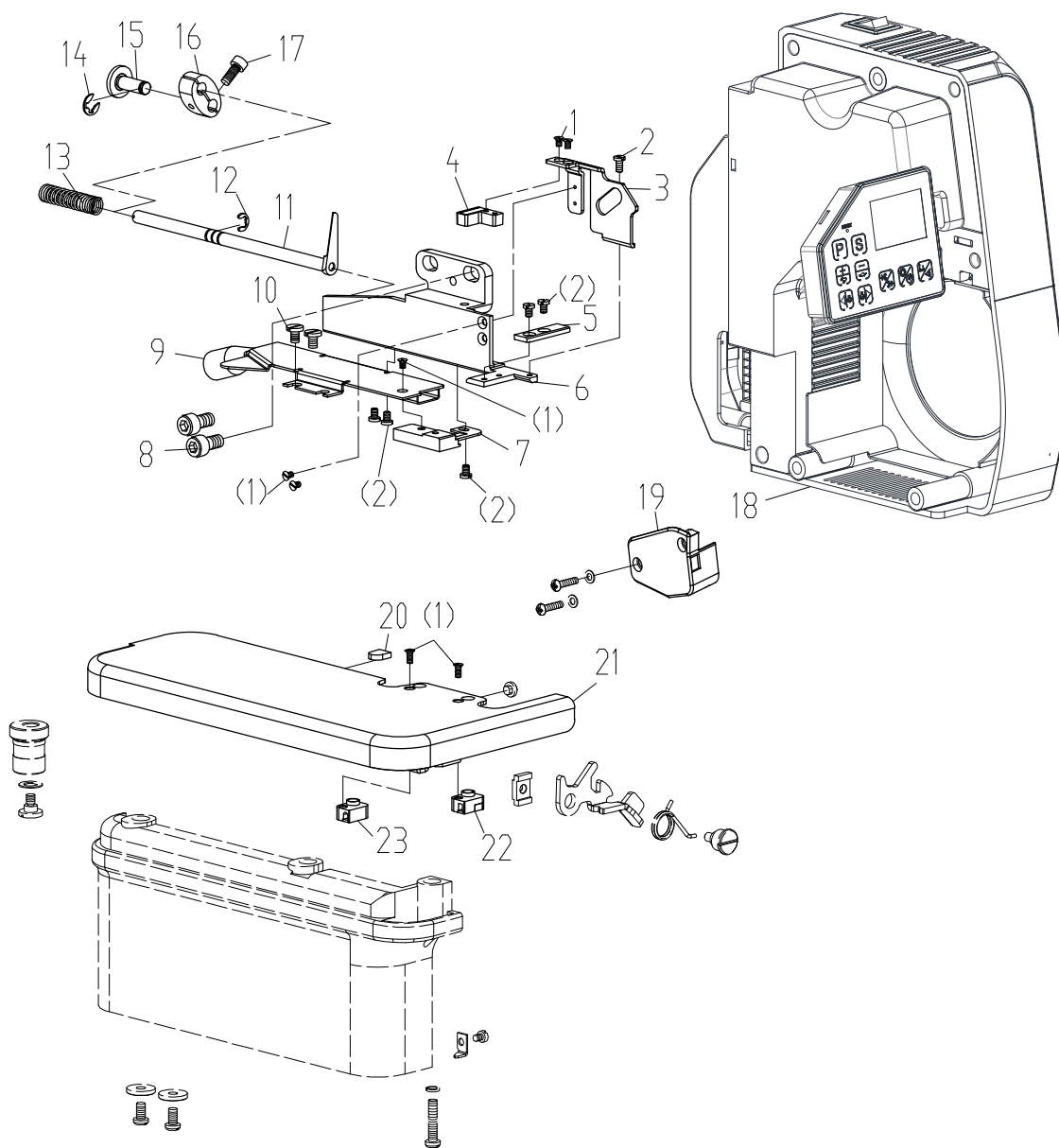
3. 外罩部件(2)/OUT COVER FRAME(2)



3. 外罩部件(2)/OUT COVER FRAME(2)

序号 No.	件号 Parts No.	名称	Description	数量 QT.
1	10058546		left upper cover	1
2	10009157		screw	5
3	10033690		comp on ent of back cover	1
4	10009104		screw	4
5	10008967		component of surface cover	1
6	10009547		brass bush for surface cover	1
7	10010596		washer	1
8	10009044		screw	1
9	10009450		lower left side cover	1
10	10009537		washer	2
11	10010595		screw	2
12	10009291		screw	1
13	10008144		washer	1
14	10033700		position limiting plate	1
15	10009529		screw	1
16	10009546		screw	1
17	10009536		spring	1
18	10009535		grip part for surface cover	1
19	10009548		locking plate	1
20	10037505		quake-proof rubber cushion	1
21	10033689		baffle	1
22	10009514		screw	1
23	10037505		quake-proof rubber cushion	1
24	10008882		left part of front cover	1
25	10009514		screw	2
26	10063873		independent logo lamp cover	1

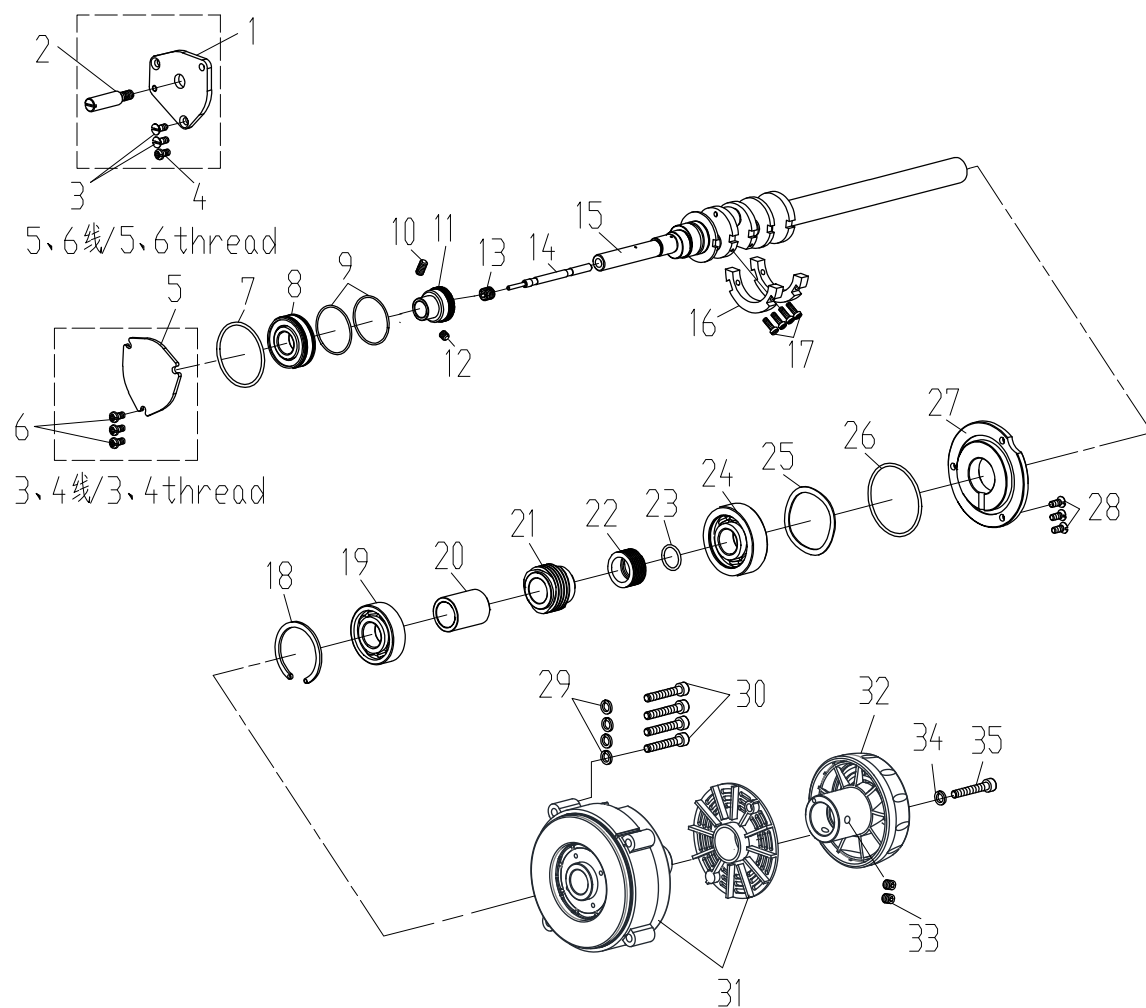
4. 三自动部件/THREE AUTOMATIC FRAME



4. 三自动部件/THREE AUTOMATIC FRAME

序号 No.	件号 Parts No.	名称	Description	数量 QT.
1	10009379		screw	7
2	10038921		screw	6
3	10058568		guiding plate for safety switch presser foot	1
4	10059012		safety switch component of the presser foot	1
5	10037797		stationary knife	1
6	10037460		mount of cutter	1
7	10059003		sensor component of receiving the back cut	1
8	10003169		screw	2
9	10037456	(ED2)	the cover plate	1
	10037457	(ED3)	component of aspiration	1
10	10014441		screw	2
11	10038985		moving cutter	1
12	10025649		split washer	1
13	10025648		spring	1
14	10013038		split washer	1
15	10037477		pin for connecting rod of cutter	1
16	10037475		connecting rod of cutter	1
17	10012752		screw	1
18	☆		automatic electric control	1
19	10062787		sensor component for emitter	1
20	10037469		magnet	1
21	10058548		component of surface cover	1
22	10058571		sensor component of the lifting presser foot	1
23	10059002		receiver component for front cut	1

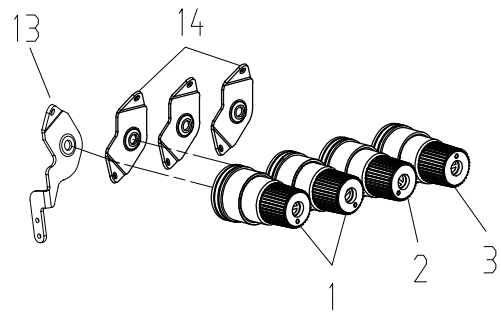
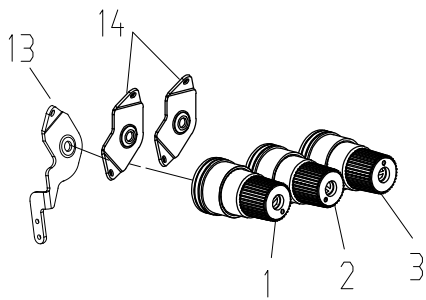
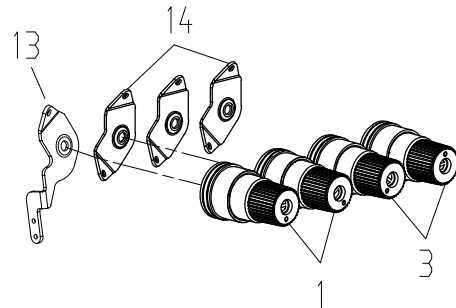
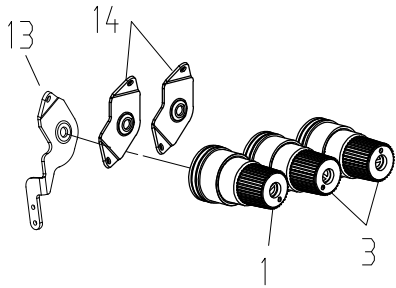
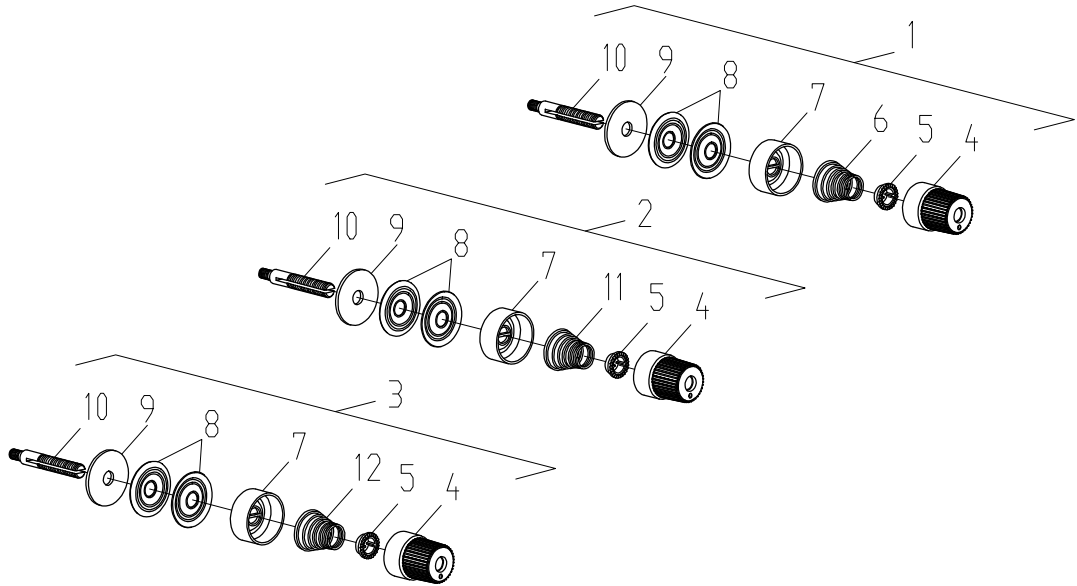
5. 主轴机构/MAIN SHAFT MECHANISM



5. 主轴机构/MAIN SHAFT MECHANISM

序号 No.	件号 Parts No.	名称	Description	数量 QT.
1	10009643		left cover	1
2	10007842		screw	1
3	10009195		screw	5
4	10009104		screw	1
5	10009519		left cover	1
6	10010595		screw	3
7	10009448		O ring	1
8	10025895	6202N2-RZ_BOM 轴承	bearing	1
9	10009334		O ring	2
10	10012162		screw	1
11	10002966		bush mounted in bearing	1
12	10009167		screw	1
13	10009187		screw	1
14	10009479		the spindle axis core	1
15	10058553		main shaft(general machine)	1
	10058550		main shaft(heavy machine)	1
16	10009402		balance block	1
17	10003001		screw	4
18	10008898		main shaft retainer ring	1
19	10003543		bearing	1
20	10009392	蜗杆套	bush mounted in worm bush	1
21	10009362	蜗杆	wrom bush	1
22	10055917	螺纹套	bush mounted in screw	1
23	10009360	O型圈	O ring	1
24	10055926	6303V轴承BOM	bearing	1
25	10055918	右盖垫片	spring washer	1
26	10055919	O型圈	O ring	1
27	10055920	右盖	right cover	1
28	10009195	螺钉	screw	3
29	10005537	垫圈	washer	4
30	10053435	螺钉	screw	4
31	10062544	ZJ950E扁电机	motor	1
32	10066671	手轮组件	hand wheel assembly	1
33	10012162	螺钉	screw	2
34	10003249	垫圈	washer	1
35	10001901	螺钉	screw	1

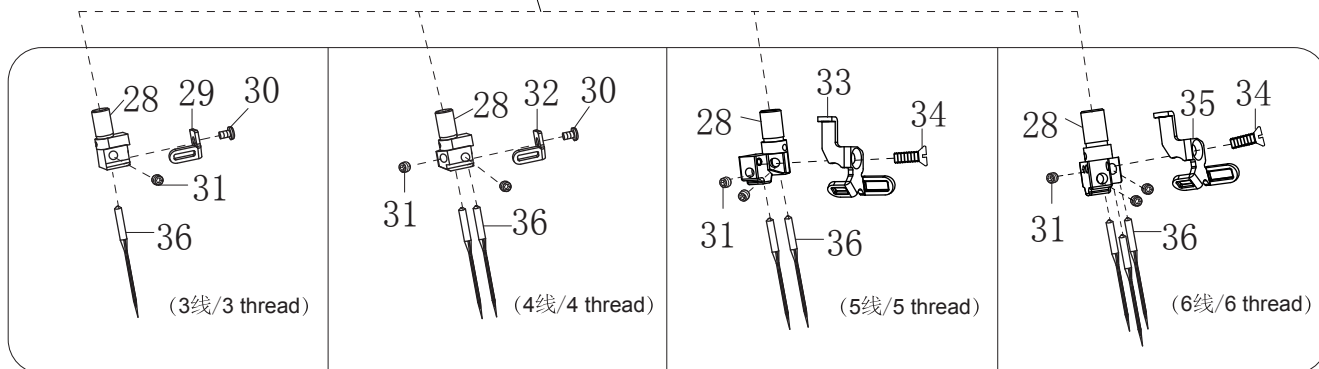
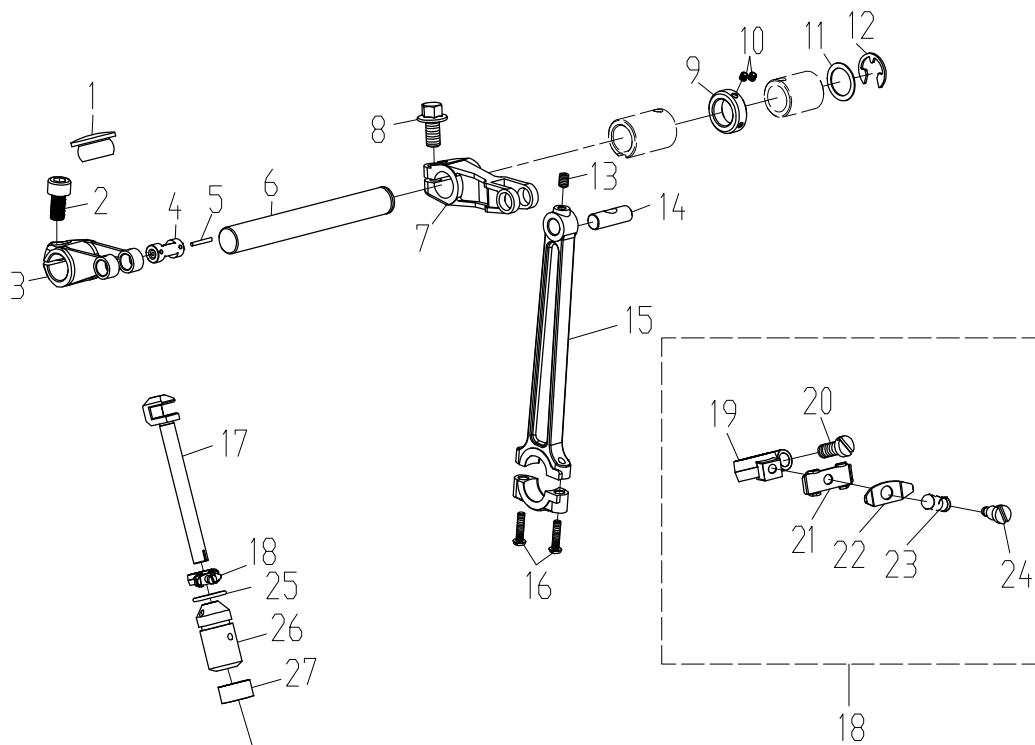
6. 线张力调节机构/THREAD TENSION MECHANISM



6. 线张力调节机构/THREAD TENSION MECHANISM

序号 No.	件号 Parts No.	名称	Description	数量 QT.
1	10058522	直针夹线器组件	thread tension aggregate for needle	1
2	10058523	上弯针夹线器组件	thread tension aggregate for upper needle	1
3	10058524	下弯针夹线器组件	thread tension aggregate for lower needle	1
4	10058521	夹线螺母	thread tension nut	1
5	10003111	防松垫	release-proof nut	1
6	10009534	弹簧	spring	1
7	10058520	夹线碗	thread tension bowl	1
8	10003116	夹线盘	thread tension dish	2
9	10009010	布垫	cloth cushion	1
10	10003112	螺钉	screw	1
11	10009532	弹簧	spring	1
12	10009533	弹簧	spring	1
13	10062470	二孔过线板	thread guide plate with two hole	1
14	10057503	过线版	thread guide plate	3

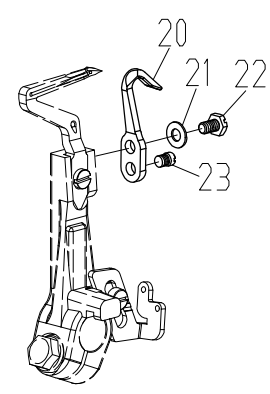
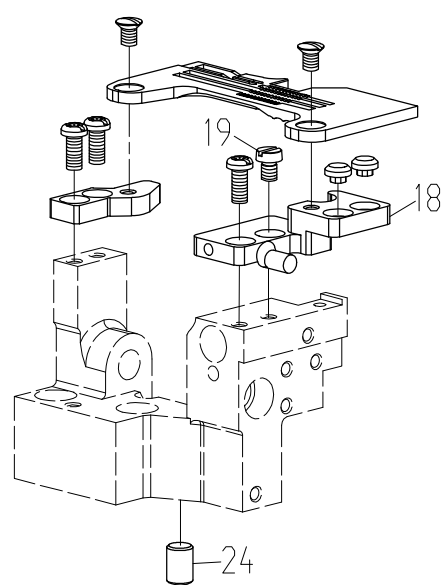
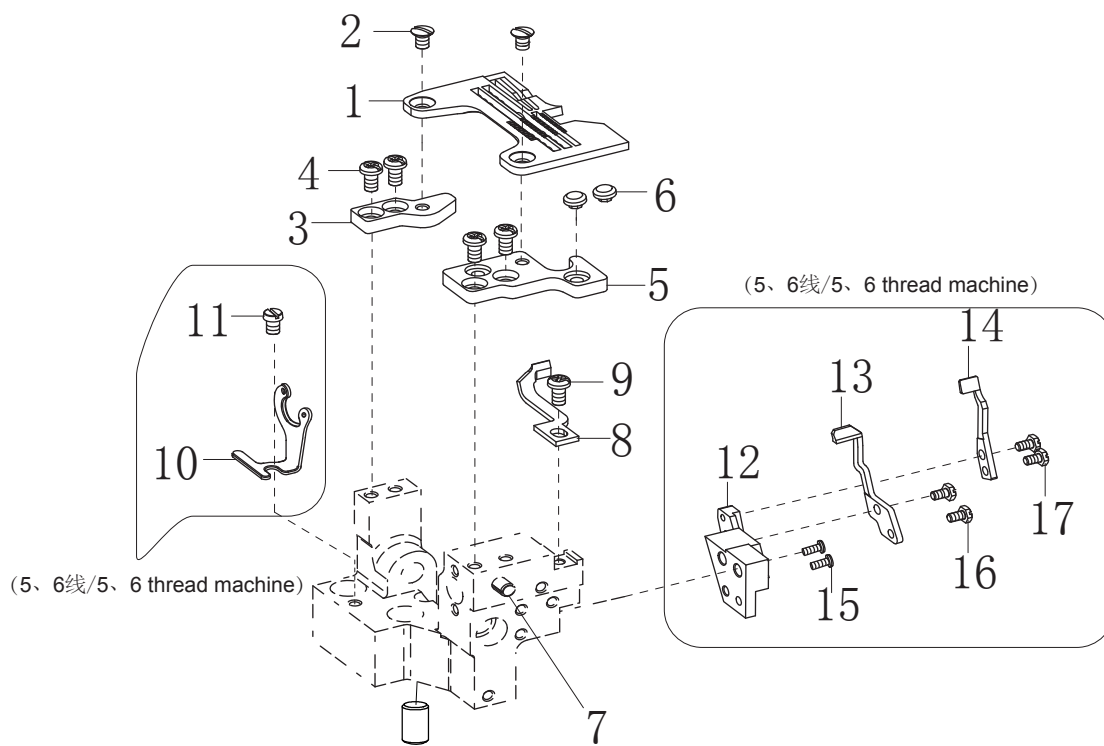
7. 针杆传动机构(1)/NEEDLE DRIVE MECHANISM(1)



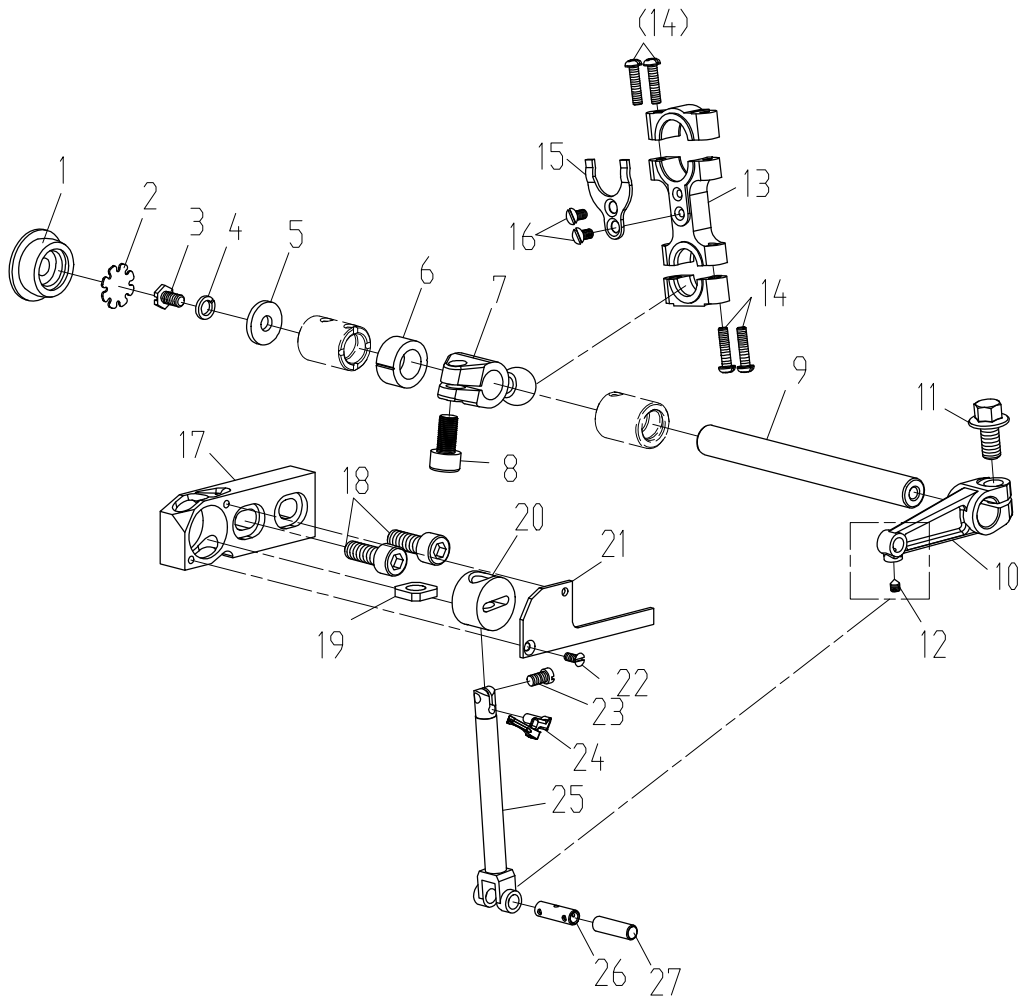
7. 针杆传动机构(1)/NEEDLE DRIVE MECHANISM(1)

序号 No.	件号 Parts No.	名称	Description	数量 QT.
1	10009576	橡胶塞	rubber plug	1
2	10009245	螺钉	screw	1
3	10009374	直针曲柄	crank on needle bar	1
4	10009345	直针曲柄销	crank pin for needle bar	1
5	10008090	油线	oil wick	1
6	10009423	针杆传动轴	driving shaft for needle bar	1
7	10009433	针杆传动曲柄	crank on needle bar drive shaft	1
8	10009164	螺钉	screw	1
9	10009357	挡圈	retaining ring	1
10	10009074	螺钉	screw	2
11	10033718	垫圈	washer	1
12	10003273	挡圈	retaining ring	1
13	10009109	螺钉	screw	1
14	10009432	直针连杆销	pin for connecting rod	1
15	10002961	直针传动连杆	connecting rod for needle bar	1
16	10002939	螺钉	screw	2
17	10009386	针杆	needle bar	1
18	20001229	针夹头夹组件	the needle clamp clip	1
19	10009344	针夹头夹	the needle clamp clip	1
20	10010888	螺钉	screw	1
21	10009341	下夹线板	lower thread tension plate	1
22	10009384	上夹线板	upper thread tension plate	1
23	10009400	夹线簧	spring	1
24	10009383	螺钉	screw	1
25	10009391	O型圈	O ring	1
26	10009401	针杆套	needle bar bush	1
27	10009356	针杆套毛毡	felt	1
28	*	针夹头	needle holder	1
29	10003431	针夹头过线板	thread guide plate of needle holder	1
30	10009422	螺钉	screw	1
31	10009255	螺钉	screw	*
32	10009339	针夹头过线板	thread guide plate of needle holder	1
33	10009644	针夹头过线板	thread guide plate of needle holder	1
34	10009664	螺钉	screw	1
35	10008205	针夹头过线板	thread guide plate of needle holder	1
36	*	机针	needle	1
		*:参看专用件表/see the guage list		

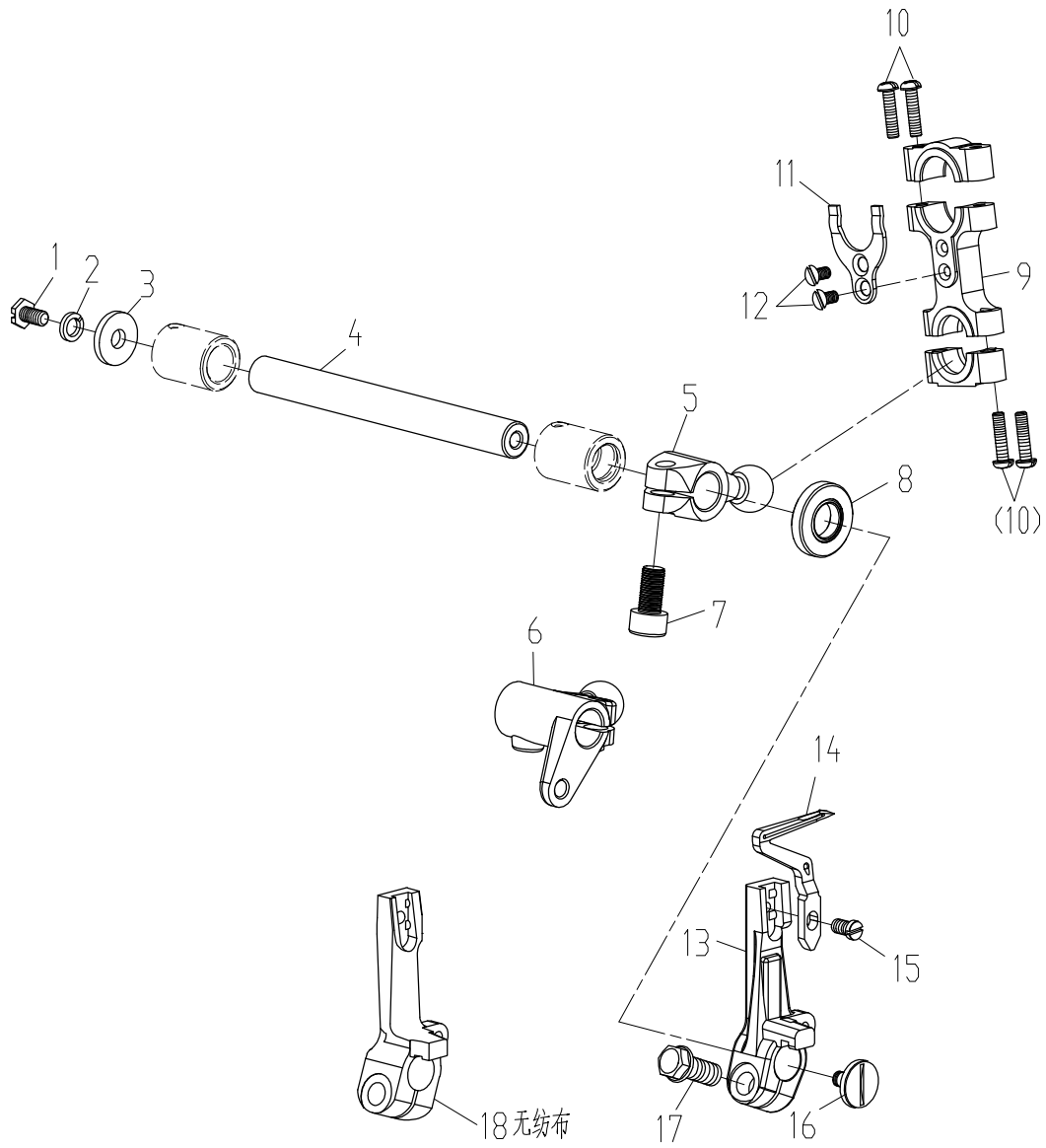
8. 针杆传动机构(2)/NEEDLE DRIVE MECHANISM(2)



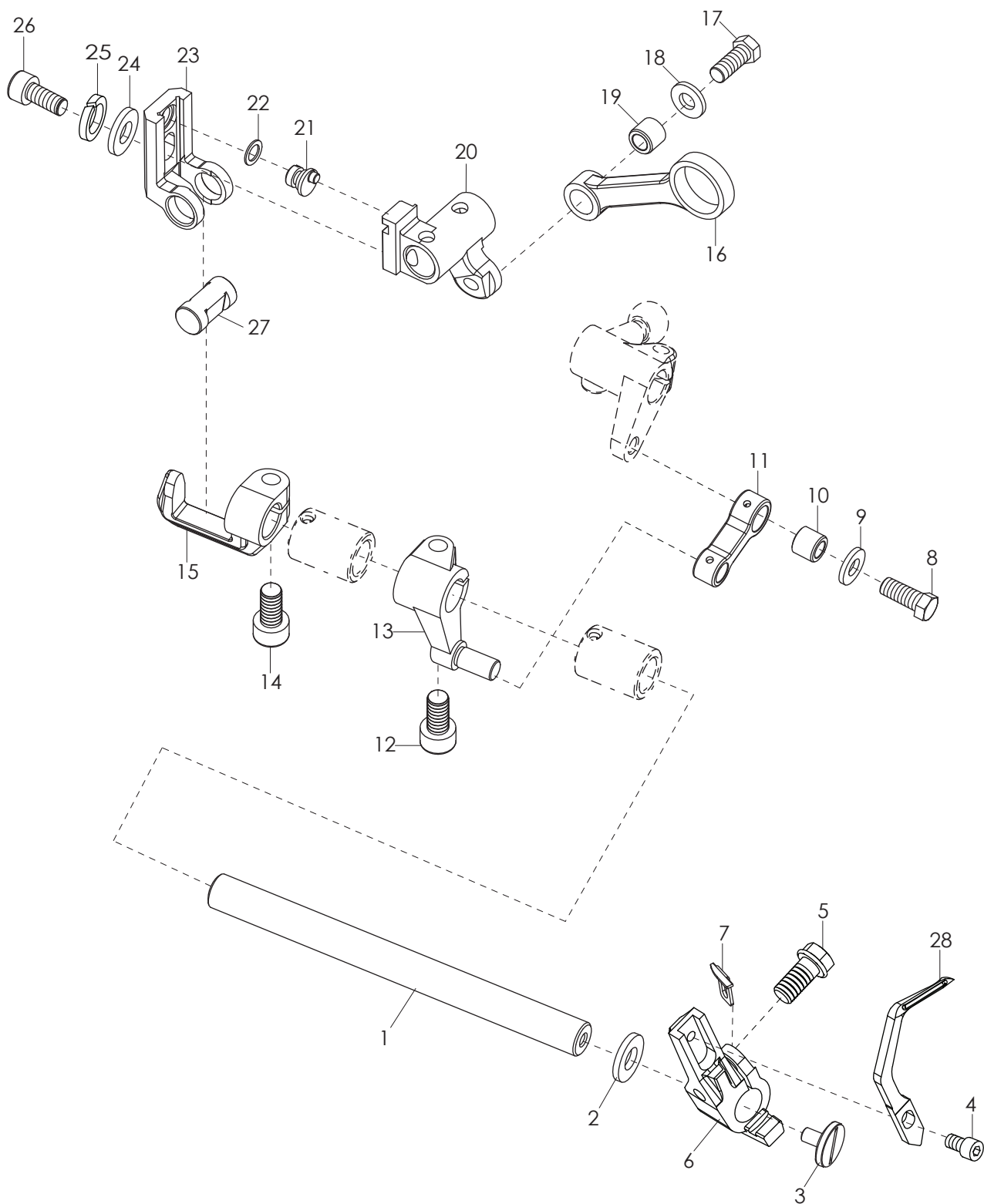
9. 上弯针传动机构/UPPER LOOPER DRIVE MECHANISM



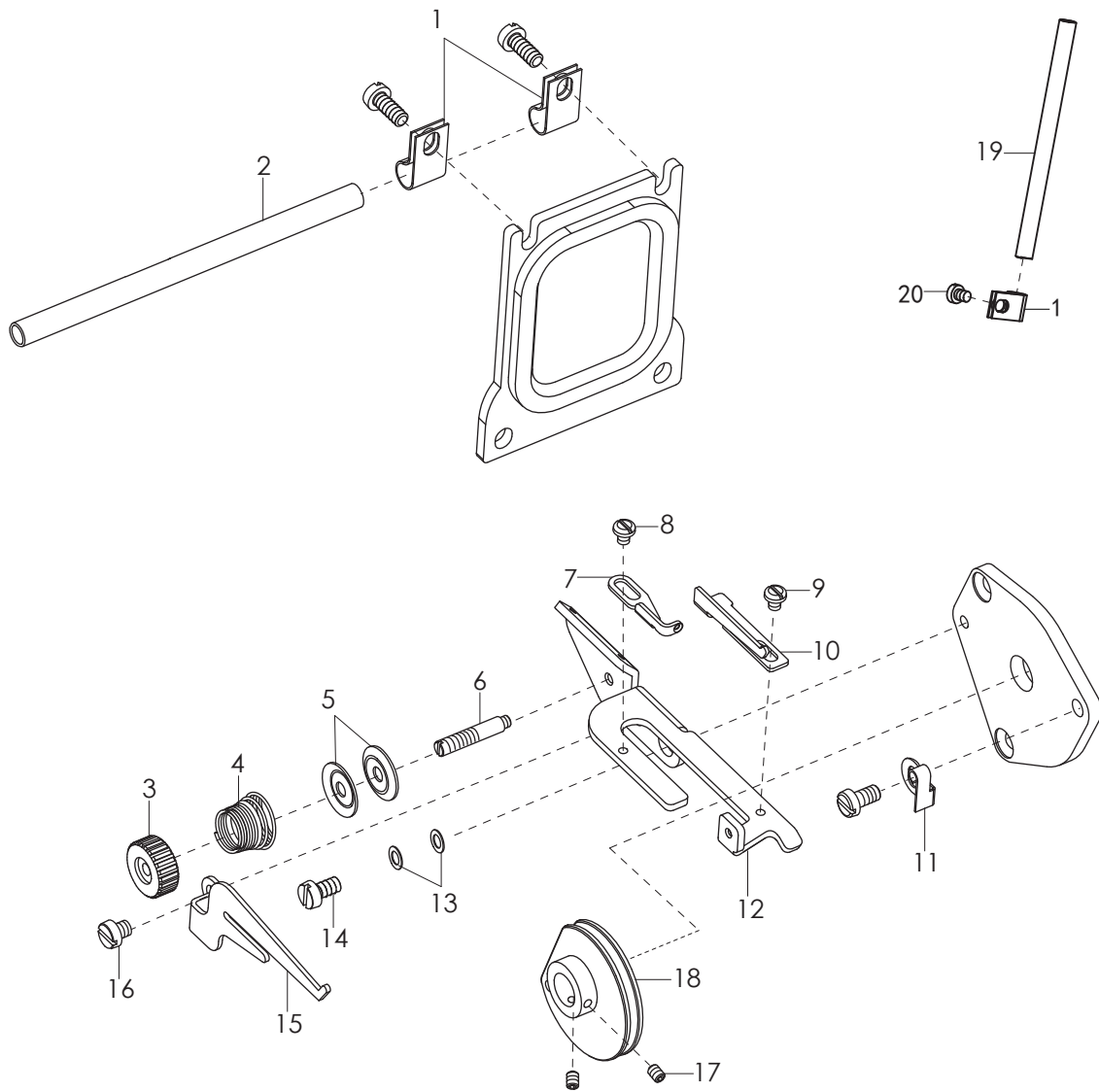
10. 下弯针传动机构/LOWER LOOPER DRIVE MECHANISM



11. 链弯针机构/CHAINSTITCH LOOPER FRAME



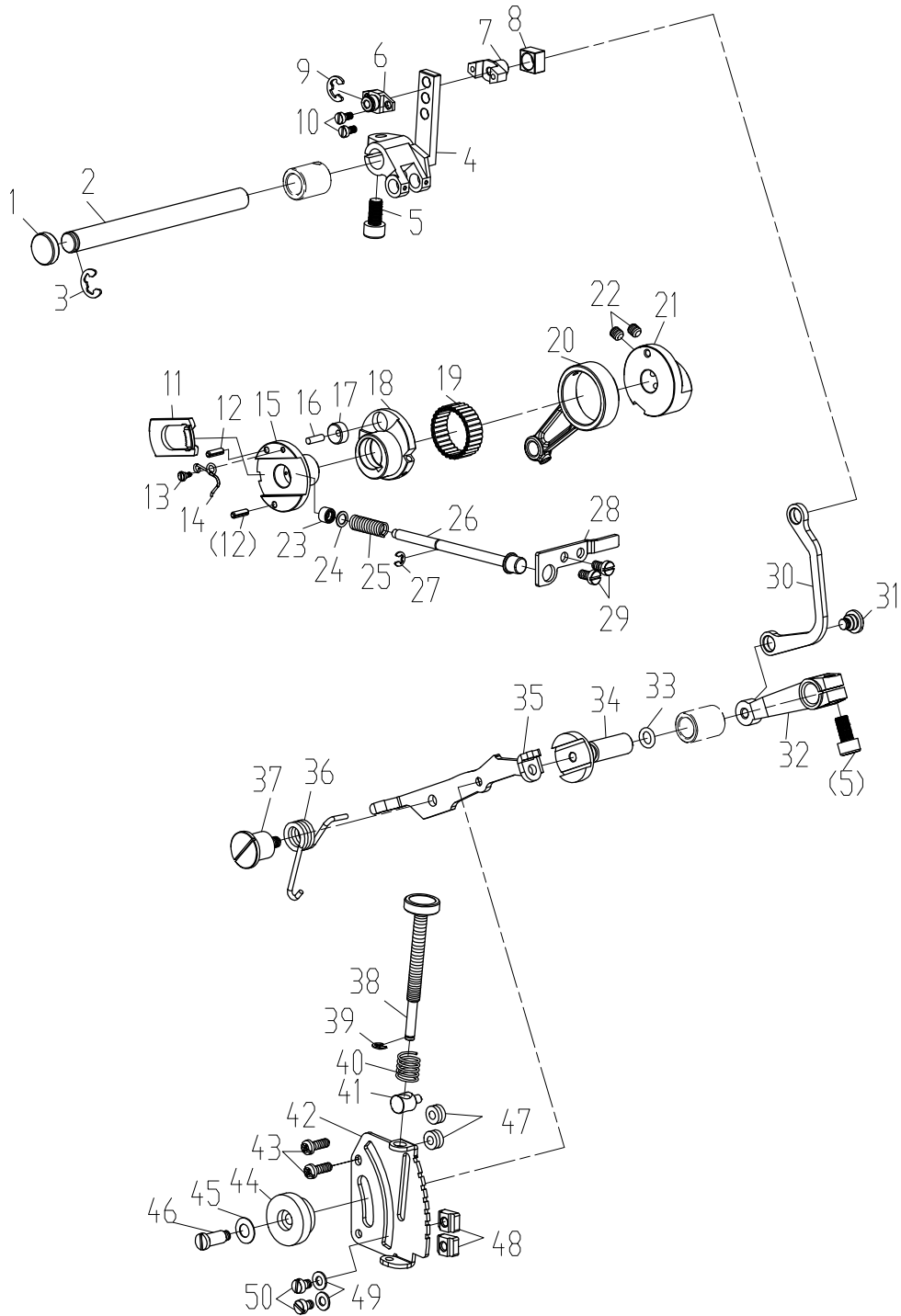
12. 打线凸轮机构/CAM ASSEMBLY



12. 打线凸轮部件/CAM ASSEMBLY

序号 No.	件号 Parts No.	名称	Description	数量 QT.
1	10010693	过线管夹簧	elastic clamp for thread guide	3
2	10009283	横过线管	horizontal thread guide pipe	1
3	10010609	夹线螺母	thread tension nut	1
4	10010612	弹簧	spring	1
5	10010613	夹线板	thread tension dish	2
6	10010610	螺钉	screw	1
7	10010654	过线架	thread guide plate	1
8	10009529	螺钉	screw	1
9	10009529	螺钉	screw	1
10	10010614	过线板	thread guide plate	1
11	10010596	垫圈	washer	1
12	10010611	过线架	thread tension stand	1
13	10010596	垫圈	washer	2
14	10010556	螺钉	screw	1
15	10033740	打线架	thread take-up stand	1
16	10004171	螺钉	screw	1
17	10010664	打线凸轮组件	thread take-up cam assembly	1
18	10010196	螺钉	screw	2
19	10009285	竖过线管	the vertical line pipe	1
20	10009556	螺钉	screw	1

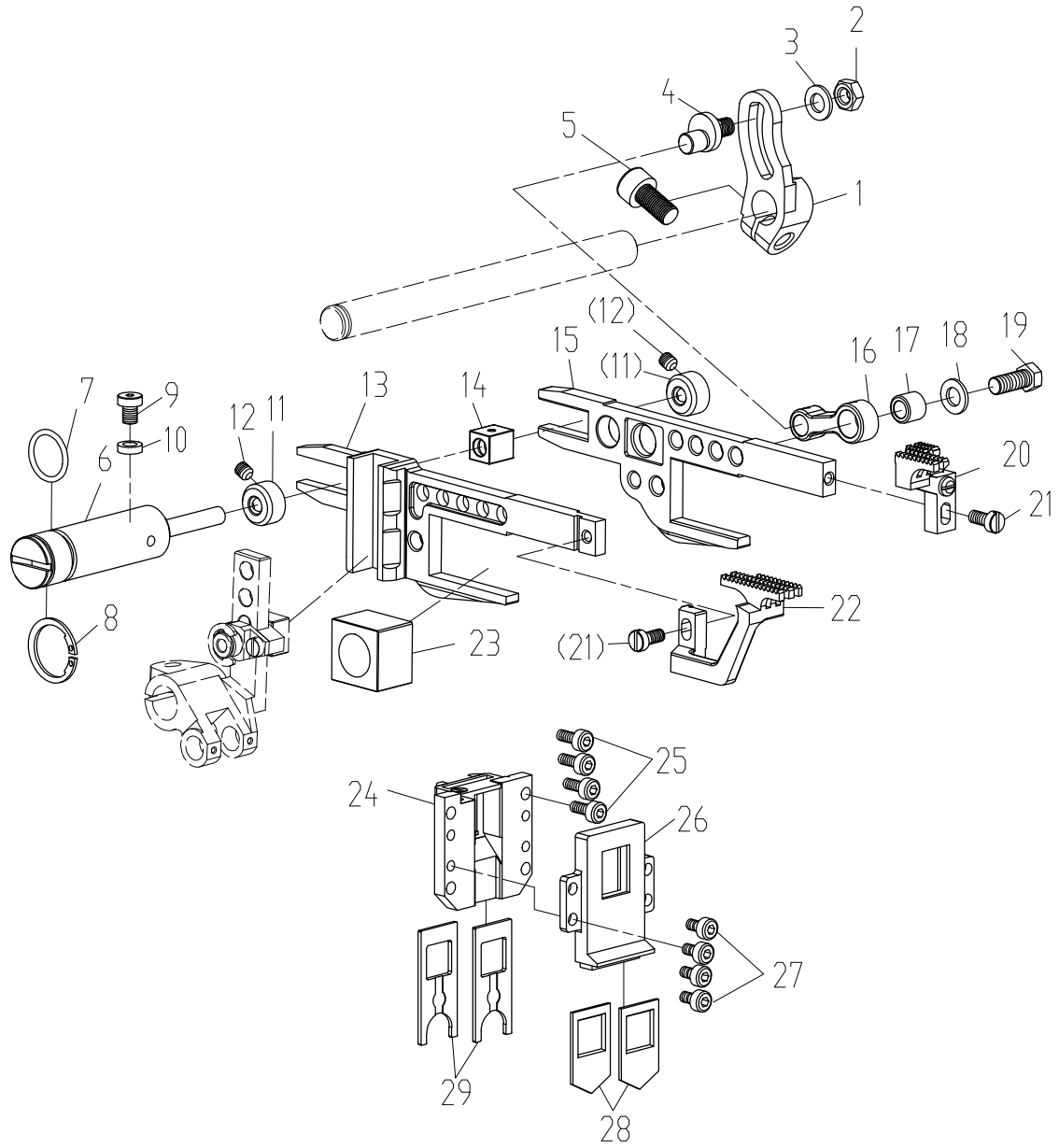
13. 差动送布机构(1)/DIFFERENTIAL FEED ASSEMBLY(1)



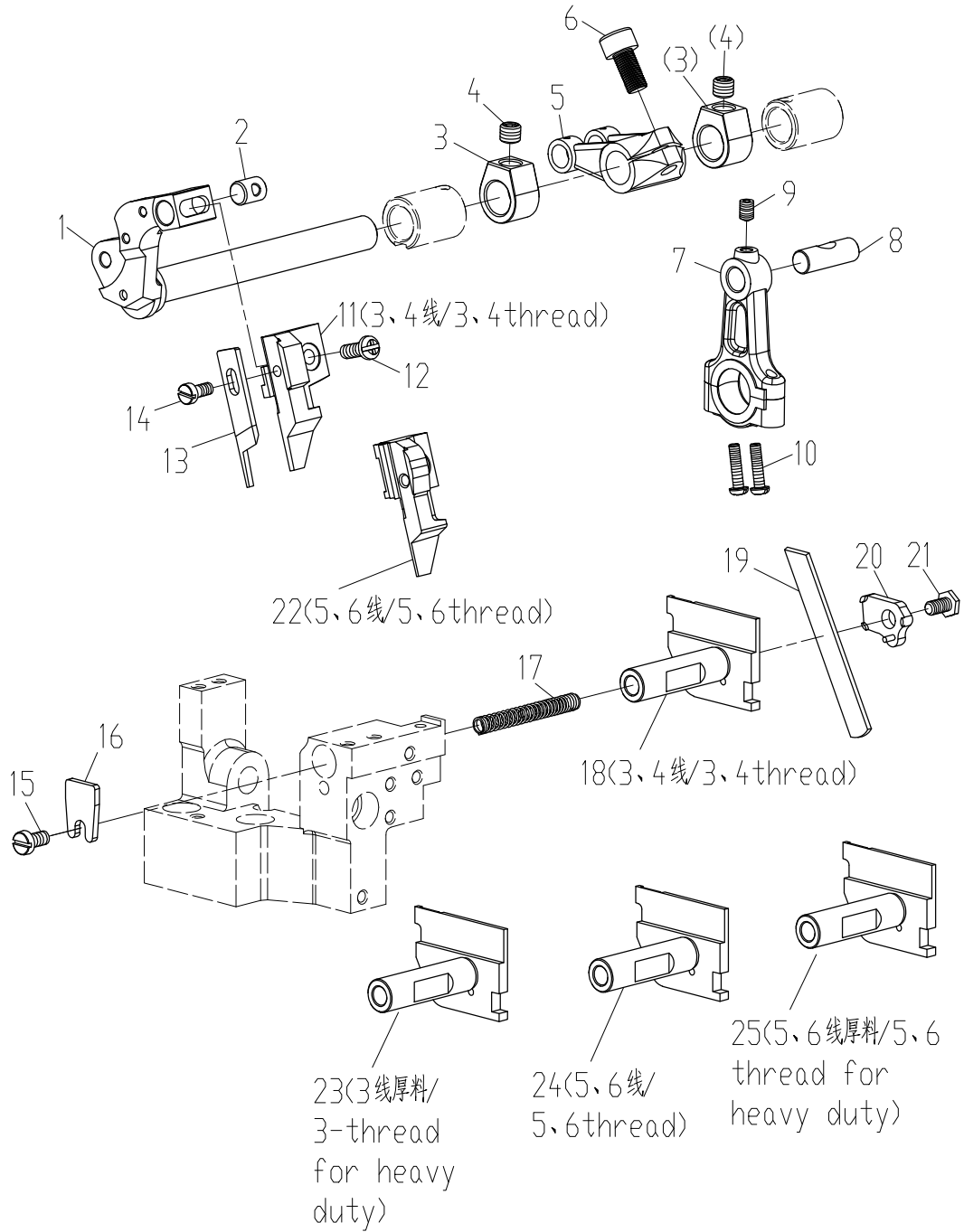
13. 差动送布机构(1)/DIFFERENTIAL FEED ASSMEBLY(1)

序号 No.	件号 Parts No.	名称	Description	数量 QT.
1	10008961	橡胶塞	rubber plug	1
2	10009198	送料轴	feeding shaft	1
3	10009239	挡圈	retaining spring	1
4	10002593	差动调节右曲柄	right crank of differential regulator	1
5	10009164	螺钉	screw	2
6	10002591	曲柄滑槽盖	crank slide trollgh cover	1
7	10002592	曲柄滑槽	crank slide trollgh	1
8	10009139	差动牙架滑块	sliding block	1
9	10008989	挡圈	rataining spring	1
10	10009625	螺钉	screw	2
11	10012162	内齿锁紧块	sliding block with inner teeth	1
12	10009298	销	Pin	2
13	10002890	螺钉	screw	1
14	10002887	扭簧	spring	1
15	10002885	针距调节凸轮	adjusting cam for stitch length	1
16	10003219	销	pin	1
17	10003218	送布偏心轮导轮	guiding wheel of feeding eccevtric wheel	1
18	10009327	送布偏心轮	feeding eccentric wheel	1
19	10002888	轴承	bearing	1
20	10002946	滚针轴承连杆	connecting bar	1
21	10002977	针距调节偏心轮片	eccentric wheel of stitch length regulator	1
22	10012162	螺钉	screw	2
23	10053036	针距按钮轴密封圈	oil seal	1
24	10009246	垫圈	washer	1
25	10009248	针距按钮轴弹簧	spring	1
26	10009249	针距调节按钮轴	button shaft	1
27	10003248	挡圈	retaining spring	1
28	10009040	针距按钮挡板	plate	1
29	10010595	螺钉	screw	2
30	10009000	差动调节连杆	differential regulating connecting rod	1
31	10009624	螺钉	screw	1
32	10009256	差动调节左曲柄	left crank of differential regulator	1
33	10009608	O型圈	O ring	1
34	10034607	差动调节轴	shaft of differential regultor	1
35	10009224	调节杆	adjusting bar	1
36	10009563	扭簧	spring	1
37	10009558	螺钉	screw	1
38	10009218	微调螺柱	screw	1
39	10003248	挡圈	retaining spring	1
40	10009205	弹簧	spring	1
41	10009203	螺母	nut	1
42	10009223	调节指示板	indication plate of adjustment	1
43	10009037	螺钉	screw	2
44	10009565	螺母	nut	1
45	10009564	垫片	washer	1
46	10009562	螺钉	screw	1
47	10009200	垫圈	washer	2
48	10009221	限位块	position plate	2
49	10003083	垫片	washer	2
50	10010554	螺钉	screw	2

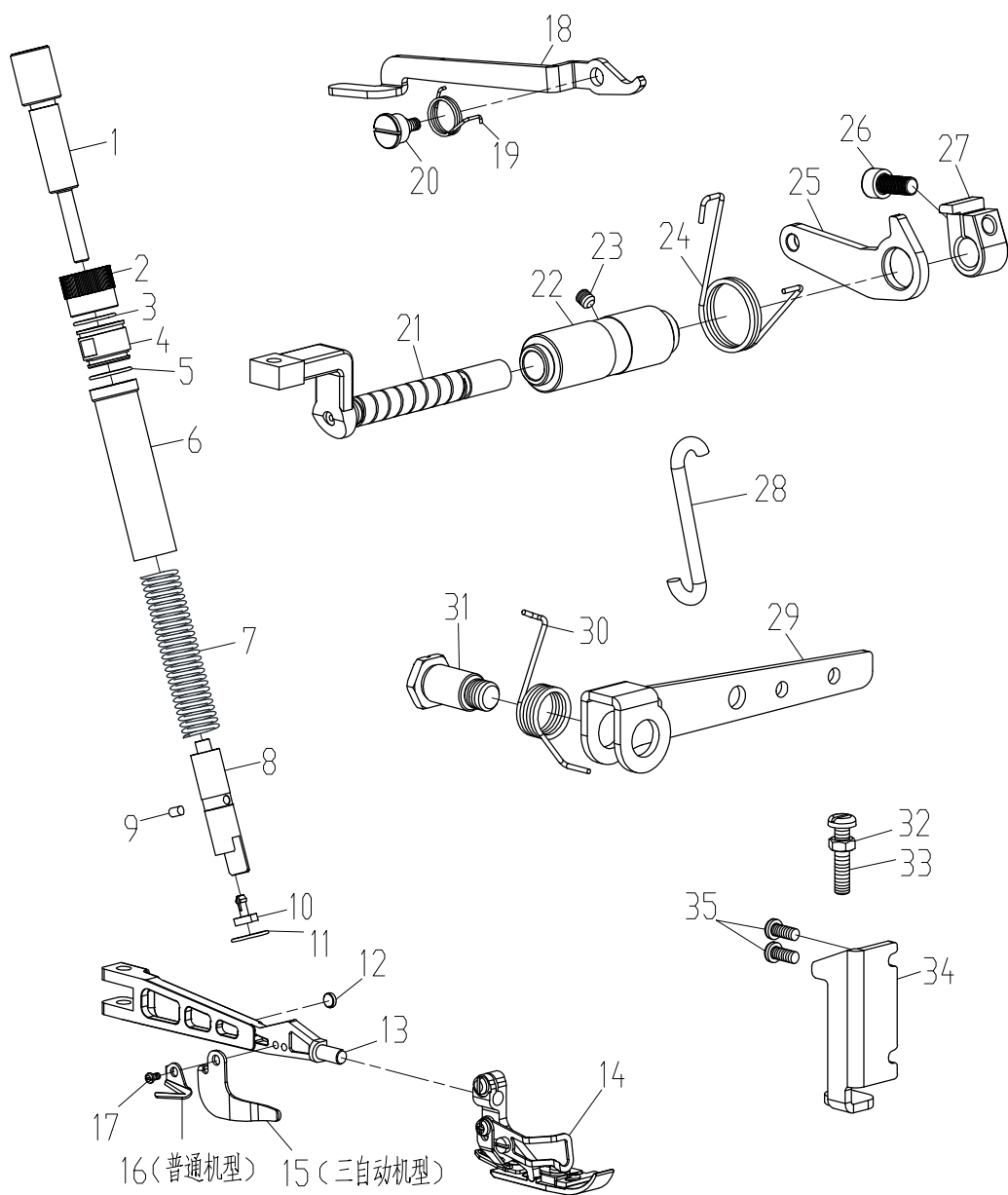
14. 差动送布机构(2)/DIFFERENTIAL FEED ASSEMBLY(2)



15. 切料机构/KNIFE DRIVE ASSEMBLY



16. 压脚机构/PRESSER FOOT ASSEMBLY

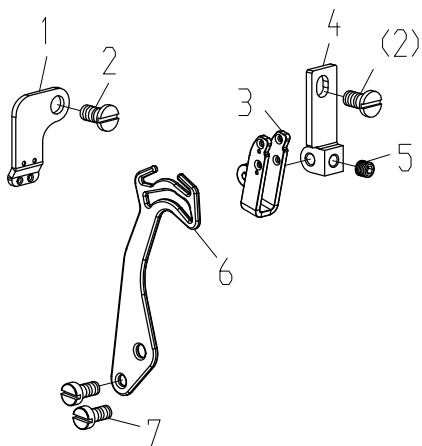


16. 压脚机构/PRESSER FOOT ASSEMBLY

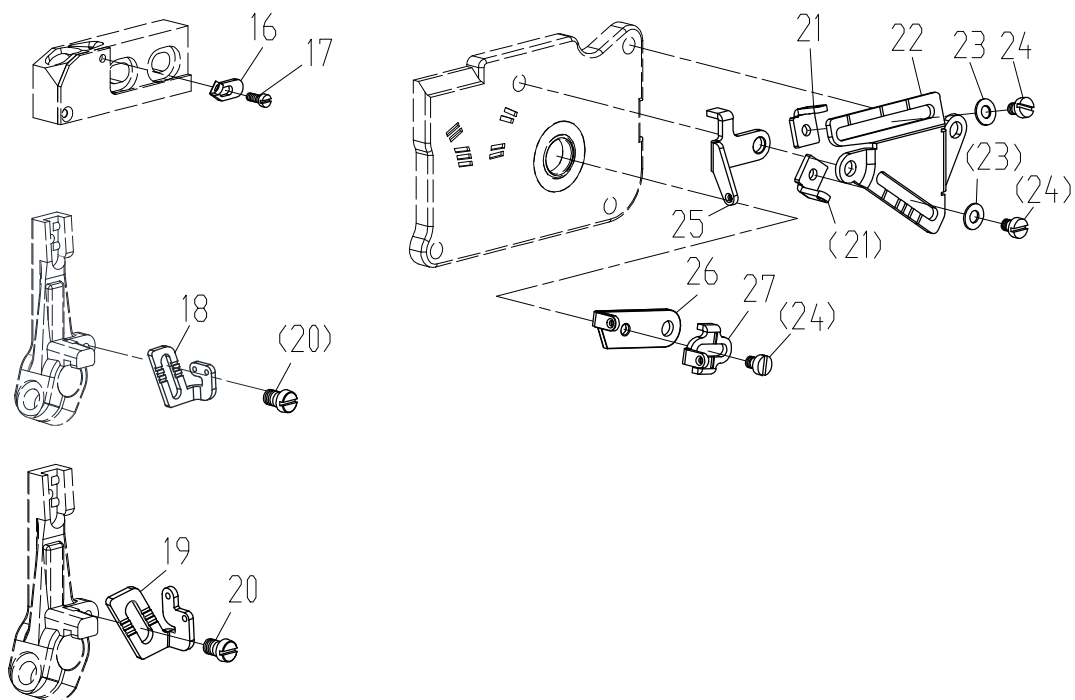
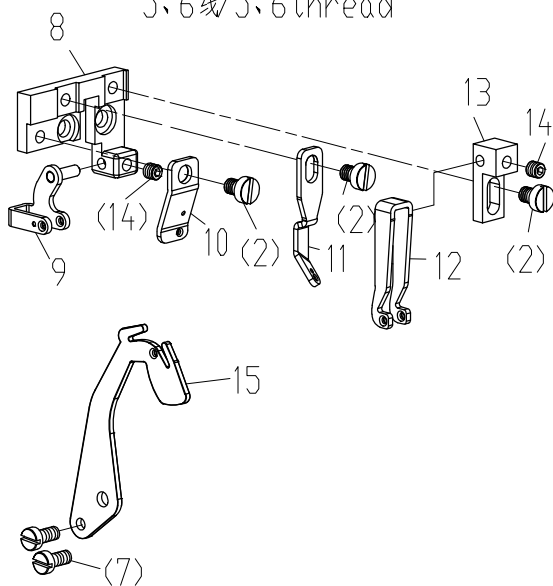
序号 No.	件号 Parts No.	名称	Description	数量 QT.
1	10058290	调压螺钉	screw for adjusting pressure of presser foot	1
2	10057465	调压螺母	nut for adjusting pressure of presser foot	1
3	10057462	O型圈	O ring	1
4	10057460	压脚杆螺纹套	press pin threaded sleeve	1
5	10057464	O型圈	O ring	1
6	10062471	压脚杆塑料套	press pin plastic cover	1
7	10062472	弹簧	spring	1
8	10057455	压脚杆	bar of presser foot	1
9	10002844	销	pin	1
10	10009454	塑料垫	plastic mat	1
11	10057463	O型圈	O ring	1
12	10061365	压脚安全开关磁铁	foot safety switch magnet	1
13	10058563	压脚臂	arm of presser foot lifting	1
14	*	压脚组件	presser foot components	1
15	10037480	切刀防护板	guard plate of cutter	1
16	10011912	割线刀	secant knife	1
17	10009529	螺钉	screw	1
18	10062481	压脚扳手	hand lifter of presser foot	1
19	10063382	压脚扳手扭簧	spring	1
20	10057459	扳手螺钉	screw	1
21	10009032	压脚轴	shaft of presser foot	1
22	10061300	压脚轴套	bush of presser foot lifting	1
23	10023463	螺钉	screw	1
24	10037485	扭簧	spring	1
25	10033721	抬压脚连杆	connecting bar for presser foot lifting	1
26	10009616	螺钉	screw	1
27	10034616	抬压脚曲柄	crank for presser foot lifting	1
28	10009622	抬压脚拉杆	pulling lever for presser foot	1
29	10009158	抬压脚杠杆	lever for the presser foot	1
30	10009036	杠杆扭簧	torsing spring for lever	1
31	10036965	螺钉	screw	1
32	10009623	螺钉	screw	1
33	10009467	螺母	nut	1
34	10009159	制动板	brake plate	1
35	10009104	螺钉	screw	2
		*: 参看专用件表/see the guage list		

17. 挑线 • 过线机构/THREAD TAKEUP AND THREADING FRAME

3,4线/3,4thread



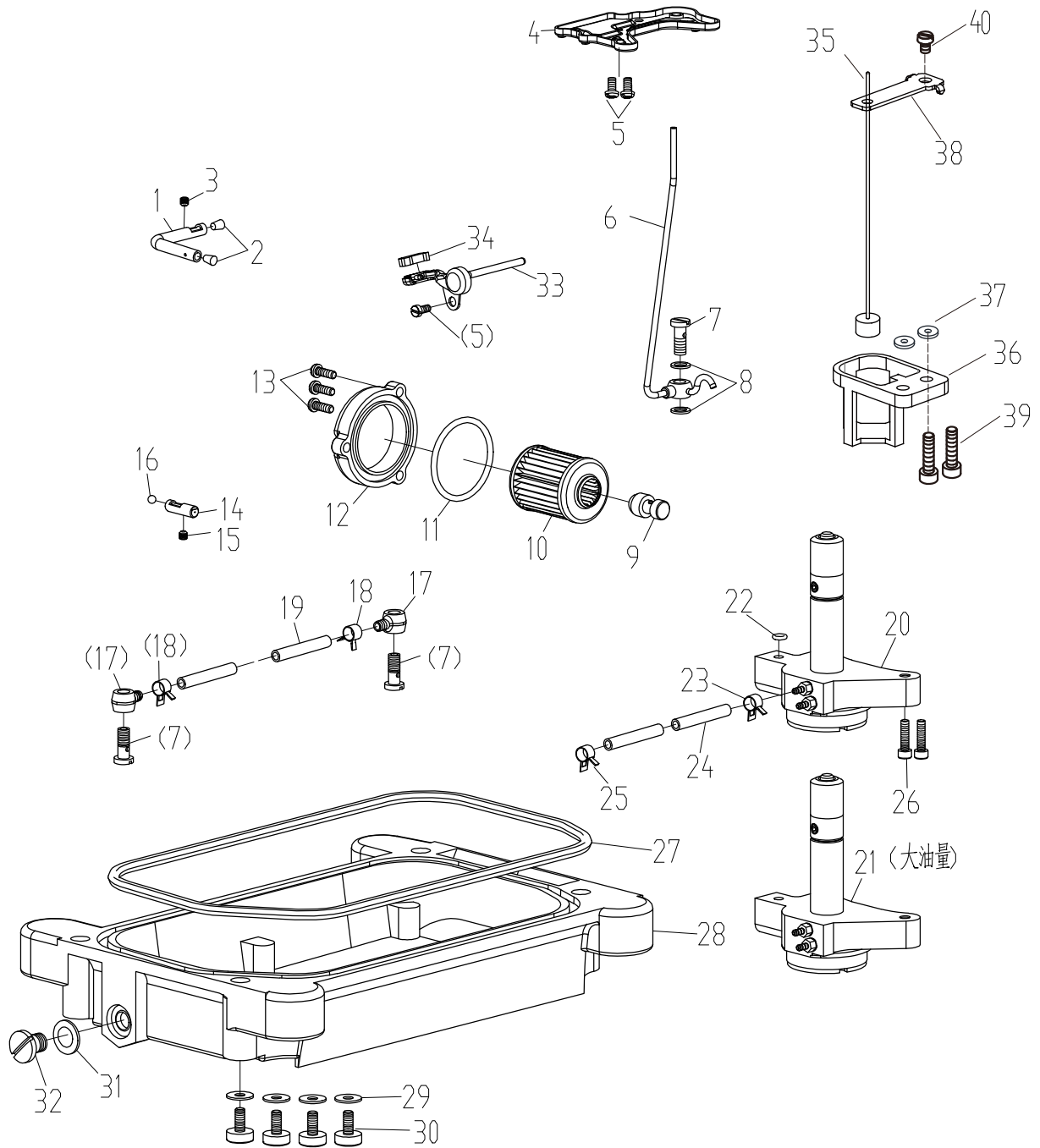
5,6线/5,6thread



17. 挑线 · 过线机构/THREAD TAKEUP AND THREADING FRAME

序号 No.	件号 Parts No.	名称	Description	数量 QT.
1	10009014	直针过线板	thread guide plate on the needle bar	1
2	10010596	螺钉	screw	2
3	10009058	挑线夹组件	thread tension plate	1
4	10009287	挑线夹固定架	fixing stand for thread take-up clamp	1
5	10023463	螺钉	screw	1
6	10009072	挑线架	thread take-up stand	1
7	10009600	螺钉	screw	2
8	10009639	固定板	fixing plate	1
9	10009663	下挑线夹组件	lower thread tension plate	1
10	10009280	左过线板	thread guide plate of left	1
11	10003252	右过线板	thread guide plate of right	1
12	10002756	上挑线夹组件	upper thread tension plate	1
13	10057518	挑线夹固定架	fixing stand for thread take-up clamp	1
14	10009074	螺钉	screw	2
15	10009640	挑线架	thread take-up stand	1
16	10009369	上弯针小过线板	small thread guide plate of upper looper	1
17	10009353	螺钉	screw	1
18	10065093	下弯针过线板 (三、四线)	thread guide plate for lower looper	1
19	10009018	下弯针过线板 (五、六线)	thread guide plate for lower looper	1
20	10009363	螺钉	screw	1
21	10009013	弯针小过线板	thread guide plate of looper	2
22	10009154	弯针下过线板架	stand of lower thread guide plate	1
23	10009599	垫圈	washer	2
24	10009529	螺钉	screw	3
25	10009153	上弯针过线板	thread guide plate of upper looper	1
26	10009147	上弯针轴内过线板	inner thread guide plate mounted on the shaft	1
27	10009012	上弯针轴外过线板	outer thread guide plate mounted on the shaft	1

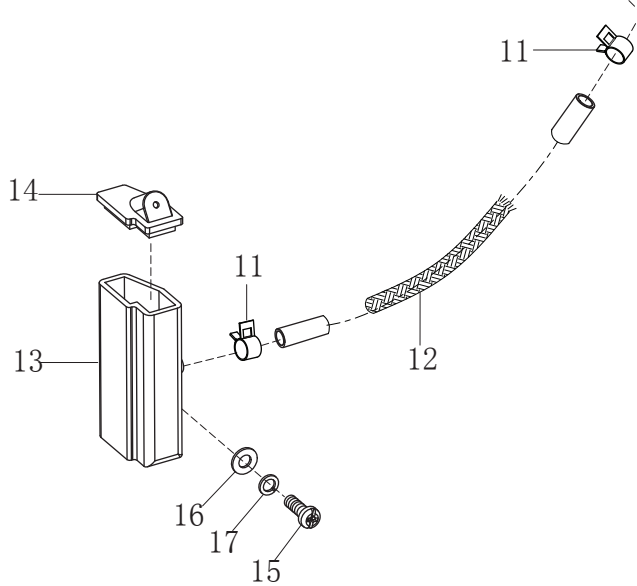
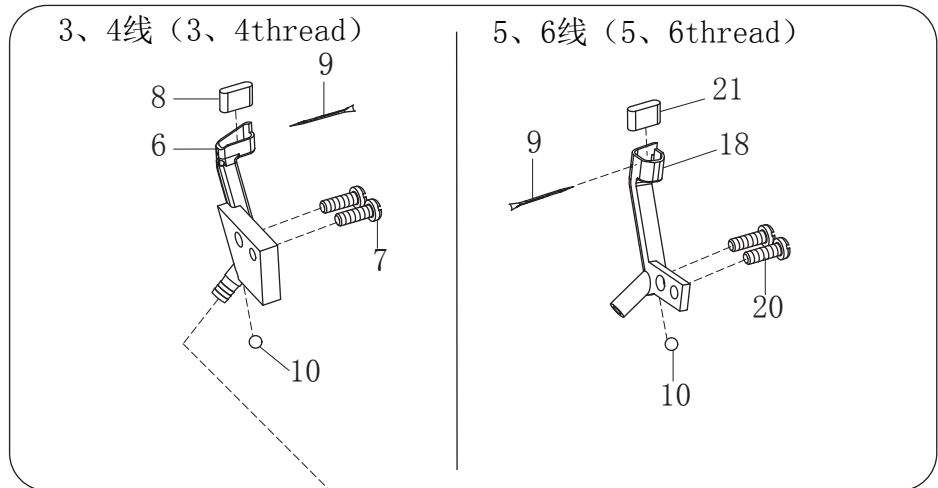
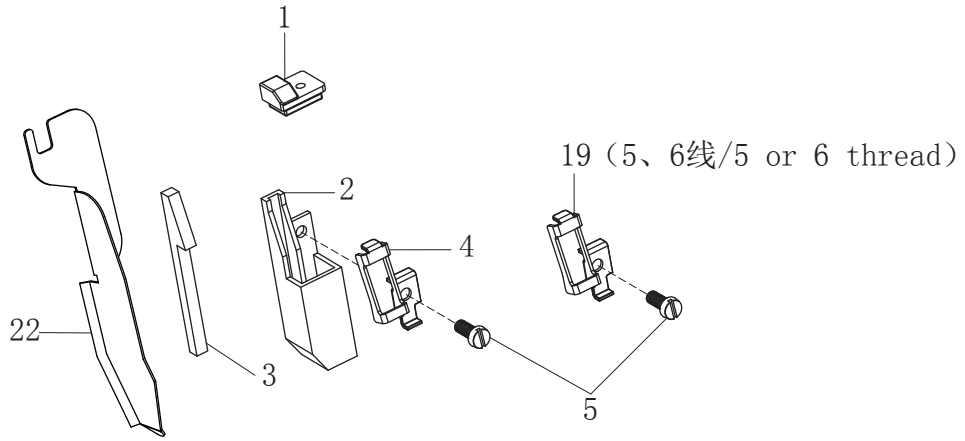
18. 润滑部件/LUBRICATION ASSEMBLY



18. 润滑部件/LUBRICATION ASSEMBLY

序号 No.	件号 Parts No.	名称	Description	数量 QT.
1	10008992	针杆给油销	oil pin for needle bar	1
2	10009039	针杆给油销橡胶塞	rubber plug	1
3	10023463	螺钉	screw	1
4	10058564	分油板	oil distributing plate	1
5	10012710	螺钉	screw	2
6	10058565	分油管组件	Tubing assembly	1
7	10012086	垫圈	washer	2
8	10009592	螺钉接头	joint part	3
9	10026644	螺钉接头	joint part	1
10	10043169	滤油器	oil filter	1
11	10026756	O型圈	O ring	1
12	20008187	滤油器盖	oil filter cover	1
13	10009037	螺钉	screw	3
14	10012322	给油销	pin for oiling	1
15	10009074	螺钉	screw	1
16	10009826	钢球	steel ball	1
17	10009588	塑料接头	joint part	2
18	10011471	油管夹	fastening ring	2
19	10007796	油管	hose	250
20	10026648	油泵组件	assembly of oil pump	1
21	10059706	油泵蜗杆组件 (大油量)	assembly of oil pump	1
22	10003826	O型圈	O ring	1
23	10009469	油管夹	fastening ring	1
24	10007800	油管	hose	285
25	10012160	弹簧	spring	1
26	10009103	螺钉	screw	2
27	10052381	油盘垫	washer for oil tray	1
28	10052380	油盘	oil tray	1
29	10009447	垫圈	washer	4
30	10009095	螺钉	screw	4
31	10009263	垫圈组件	washer assembly	1
32	10009264	螺钉	screw	1
33	10009122	针杆回油架	oil return bush of needle bar stand	1
34	10008991	油毡	felt	1
35	10062487	油标	oil leveler	1
36	10009775	油标座	oil leveler block	1
37	10009537	垫圈4.3×13.4×2	washer	2
38	10062477	油标上定位板	oil leveler up locating plate	1
39	10012710	螺钉	screw	2
40	10009104	螺钉	screw	1

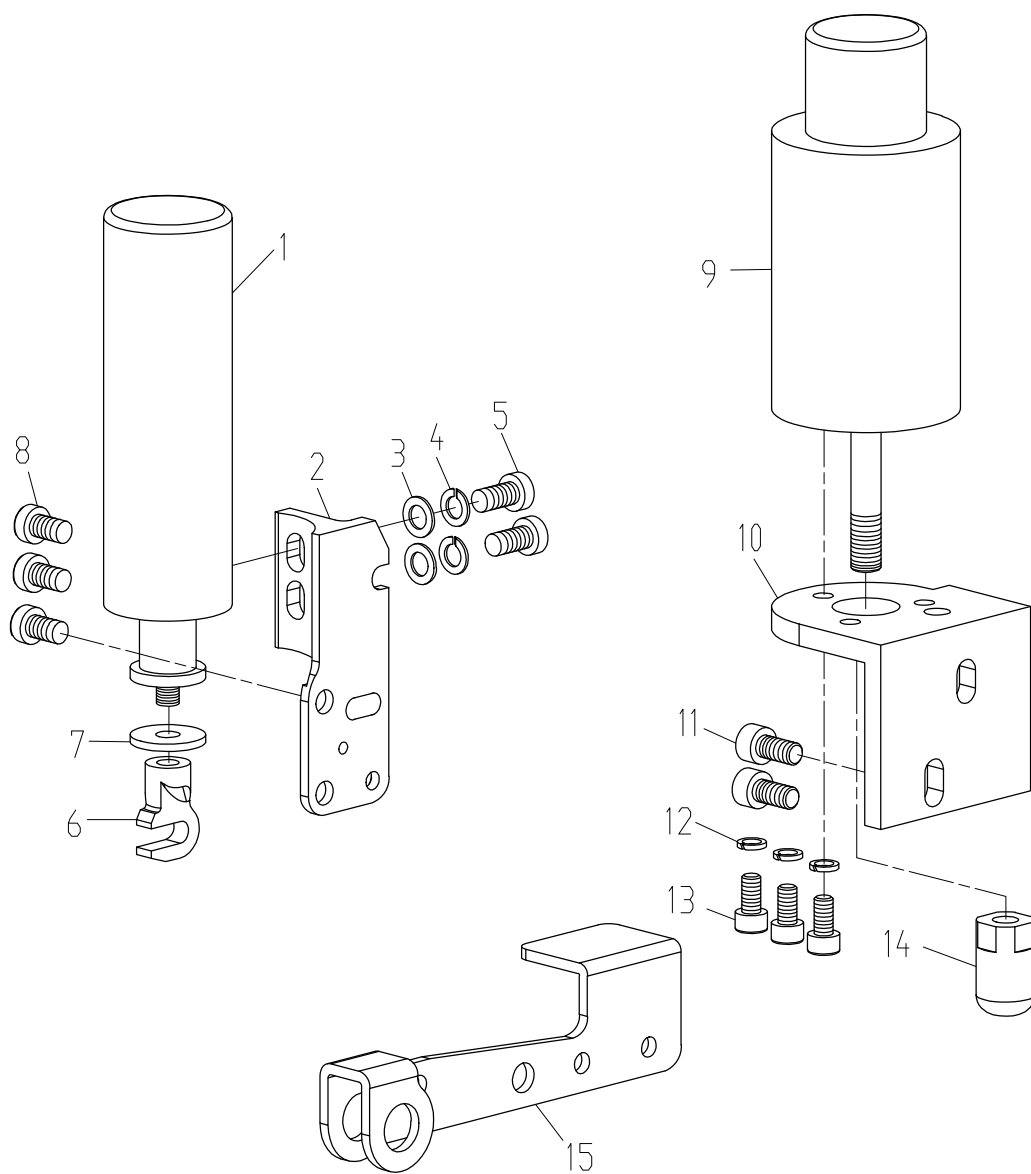
19. H·R装置/H·R DEVICE



19. H · R装置/H · R DEVICE

序号 No.	件号 Parts No.	名称	Description	数量 QT.
1	10008925	盒盖	box cover	1
2	10009094	上硅油盒	upper silicon oil box	1
3	10008924	毛毡	felt	1
4	10008923	毛毡压板	presser plate for felt	1
5	10009104	螺钉	screw	1
6	10008931	硅油盒	silicon oil box	1
7	10009037	螺钉	screw	2
8	10008922	毛毡	felt	1
9	10003344	大头针	pin	1
10	10009826	钢球	steel ball	1
11	10011471	紧固圈	fastening ring	2
12	10008072	油线	oil wick	1
13	10008971	下硅油盒	lower silicon oil box	1
14	10008883	盒盖	box cover	1
15	10002934	螺钉	screw	1
16	10003133	垫圈	washer	1
17	10009503	垫圈	washer	1
18	10009661	硅油盒	silicon oil box	1
19	10023474	毛毡压板	presser plate for felt	1
20	10009042	螺钉	screw	2
21	10009659	毛毡	felt	1
22	10008884	挡油板	seal plae	1

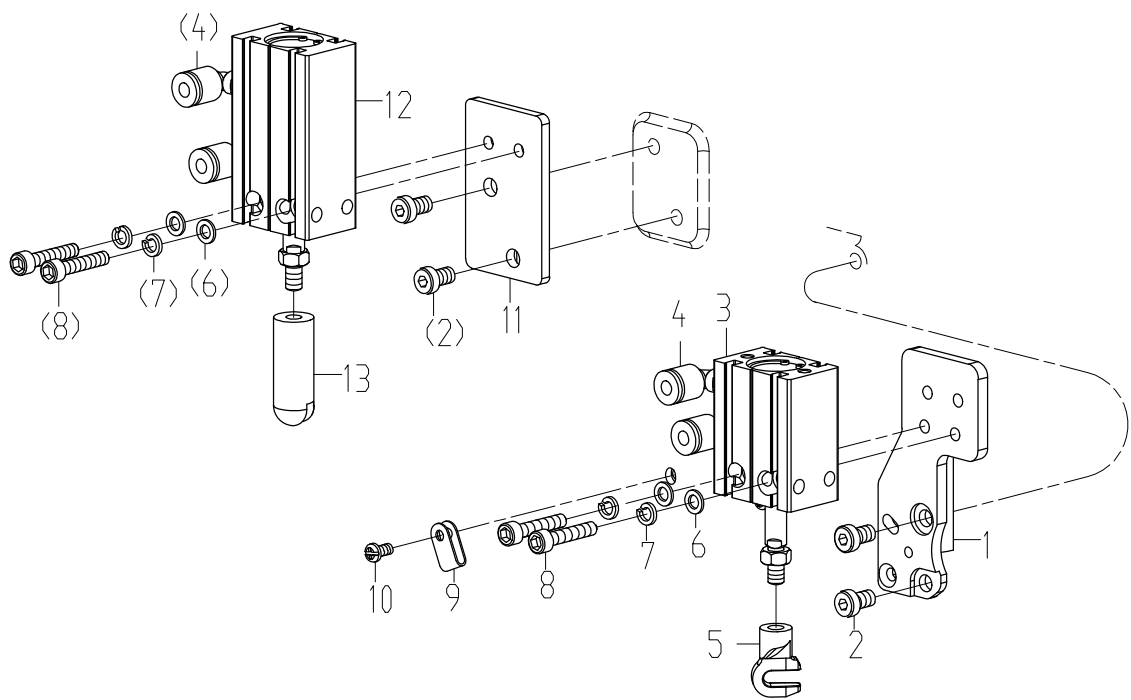
20. 电磁铁驱动抬压脚、剪线机构/TRIM AND LIFT PRESSER FOOT MECHANISM WITH ELECTROMAGNET



20. 电磁铁驱动抬压脚、剪线机构/TRIM AND LIFT PRESSER FOOT MECHANISM WITH ELECTROMAGNET

序号 No.	件号 Parts No.	名称	Description	数量 QT.
1	10049858	剪线电磁铁组件	electromagnet of shearing line	1
2	10053101	电磁铁安装座	the saddle of the electormagnet for shear	1
3	10010835	垫圈	washer	2
4	10052480	轻型弹簧垫圈	spring washer	2
5	10054136	螺钉	screw	2
6	10037484	剪线气缸接头	contact	1
7	10022739	垫圈	washer	1
8	10001839	螺钉	screw	3
9	10052112	抬压脚电磁铁	electormagnet of the lifting	1
10	10052113	抬压脚电磁铁固定板	plate of the fixing	1
11	10003169	螺钉	screw	2
12	10005537	垫圈	washer	3
13	10003165	螺钉	screw	3
14	10051758	抬压脚顶杆	plunger	1
15	10051759	抬压脚杠杆	lever of the lifting presser foot	1

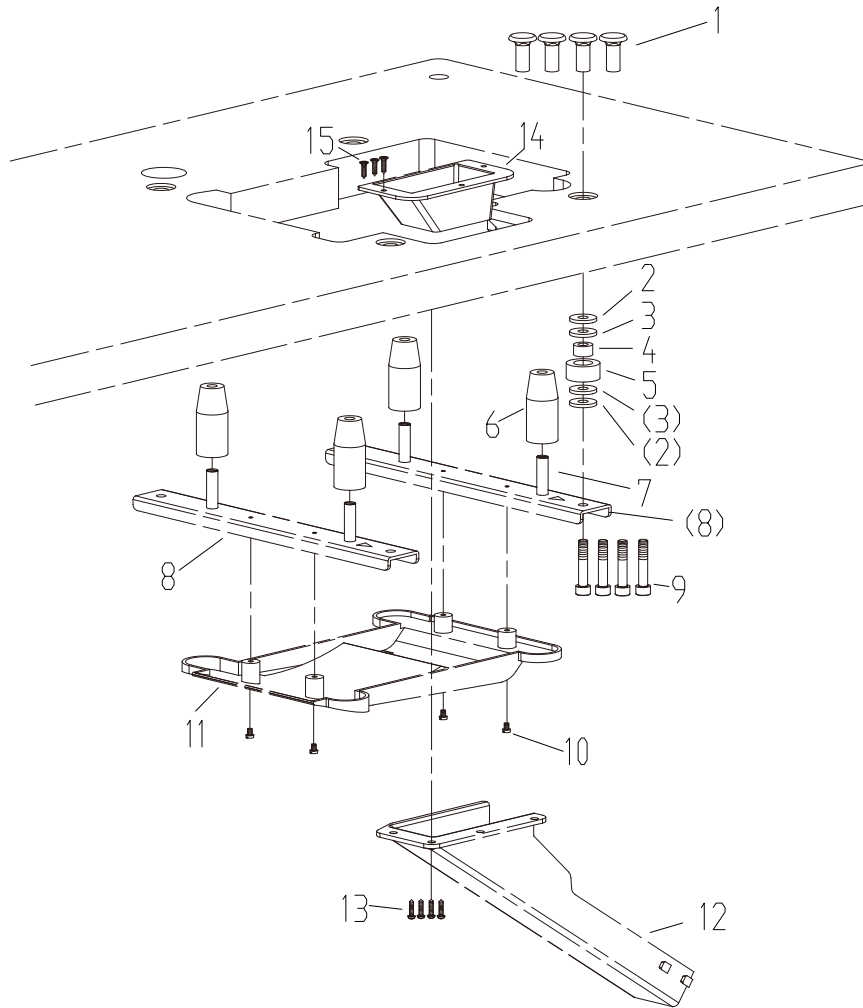
21. 气动驱动抬压脚、剪线机构/TRIM AND LIFT PRESSER FOOT MECHANISM WITH AIR CYLINDER



21. 气动驱动抬压脚、剪线机构/TRIM AND LIFT PRESSER FOOT MECHANISM WITH AIR CYLINDER

序号 No.	件号 Parts No.	名称	Description	数量 QT.
1	10037033	剪线气缸固定板	plate	1
2	10003165	螺钉	screw	4
3	10049556	剪线气缸	air cylinder	1
4	10037851	接头APL6-M5	joint	4
5	10037484	剪线气缸接头	joint of air cylinder	1
6	10006115	垫圈	washer	4
7	10005537	垫圈	spring washer	4
8	10006118	螺钉	screw	4
9	10053084	电线夹	line card	1
10	10014441	螺钉	screw	1
11	10001839	抬压脚气缸固定板	plate	1
12	10049555	抬压脚气缸	air cylinder	1
13	10037034	抬压脚顶杆	mandril for lefting presser foot	1









22. 油盘托架/OIL TANK BRACKET



22. 油盘托架/OIL TANK BRACKET

序号 No.	件号 Parts No.	名称	Description	数量 QT.
1	10009596	螺套	bush with inner thread	4
2	10059968	塑料垫	plastic mattress	8
3	10009272	垫圈	washer	8
4	10059967	橡胶垫钢圈	rubber cushion steel ring	4
5	10059966	橡胶垫	rubber blanket	4
6	10059964	托盘橡胶垫	pallet rubber mat	4
7	10059965	支柱	brace	4
8	10059963	托盘支架	the tray support	2
9	10003106	螺钉	screw	4
10	10002924	螺钉	screw	4
11	10059962	托盘	tray	1
12	10033825	下料槽包装组件	the manger packing assembly	1
13	10004981	螺钉	screw	4
14	10033756	下料口	feed opening	1
15	10051357	螺钉	screw	3

规格件表 GAUGE PARTS LIST

							
MODEL	NEEDLE PLATE	MAIN FEED DOGASSY	DIFF. FEED DOG	PRESSER FOOT	UPPER LOOPER	LOWER LOOPER	CHAINSTITCH DOGASSY
机型	针板	主送料牙组	差动送料	压脚组件	上弯针	下弯针	链弯针
B9500-17-*	10009769	10009112	10009107	10009768	10009368	10008565	-
B9500-17H-*	10008579	10008554	10008580	10008581	10008602	10008565	-
B9500-13-*	10009380	10009112	10009107	10054662	10009368	10008565	-
B9500-13H-*	10008567	10008662	10008566	10052572	10008633	10008565	-
B9500-13NW	10053177	10053179	10053178	10053184	10009368	10008565	-
B9500-38-*	10009282	10009767	10009288	10009289	10009368	10008565	10009304
B9500-70-*	10009662	10009767	10009645	10009281	10009368	10008565	10009304
B9500-86-*	10008570	10008572	10008569	10008646	10008602	10008565	10008612
B9500-355-*	10008161	10009767	10009645	10008167	10009368	10008565	10009304

规格件表 GAUGE PARTS LIST

							
MODEL	UPPER KNIFE	LOWER KNIFE	FRONT NEEDLE	REAR NEEDLE	NEEDLE HOLDER	NEEDLE	THREAD STAND PARTS
机型	上刀	下刀	前护针	后护针	针夹	机针	线架
B9500-17-*	10009611	10010866	10009377	10009023	10003434	DC×27#11	10008015
B9500-17H-*	10008556	10008604	10009377	10009023	10003434	DC×27#18	10008015
B9500-13-*	10009611	10010866	10009377	10009023	10009340	DC×27#11	10007906
B9500-13H-*	10009611	10010866	10009377	10009023	10009340	DC×27#11	10007906
B9500-13NW	10009611	10008556	10009377	10009023	10009340	DC×27#11	10007906
B9500-38-*	10009611	10010866	10009637	10009023	10009284	DC×27#14	10004956
B9500-70-*	10009611	10010866	10009637	10009023	10003293	DC×27#14	10004956
B9500-86-*	10008556	10008604	10009637	10009023	10008549	DC×27#21	10004956
B9500-355-*	10009611	10010866	10009637	10009023	10008162	DC×27#11	10005969

注：上述规格表中的“*”代表“ED2”、“ED3”、“PD3”“SD3”等机型（例如：B9500-13-*，对应的机型有B9500-13-ED2、B9500-13-ED3、B9500-13-PD3、B9500-13-SD3）。