

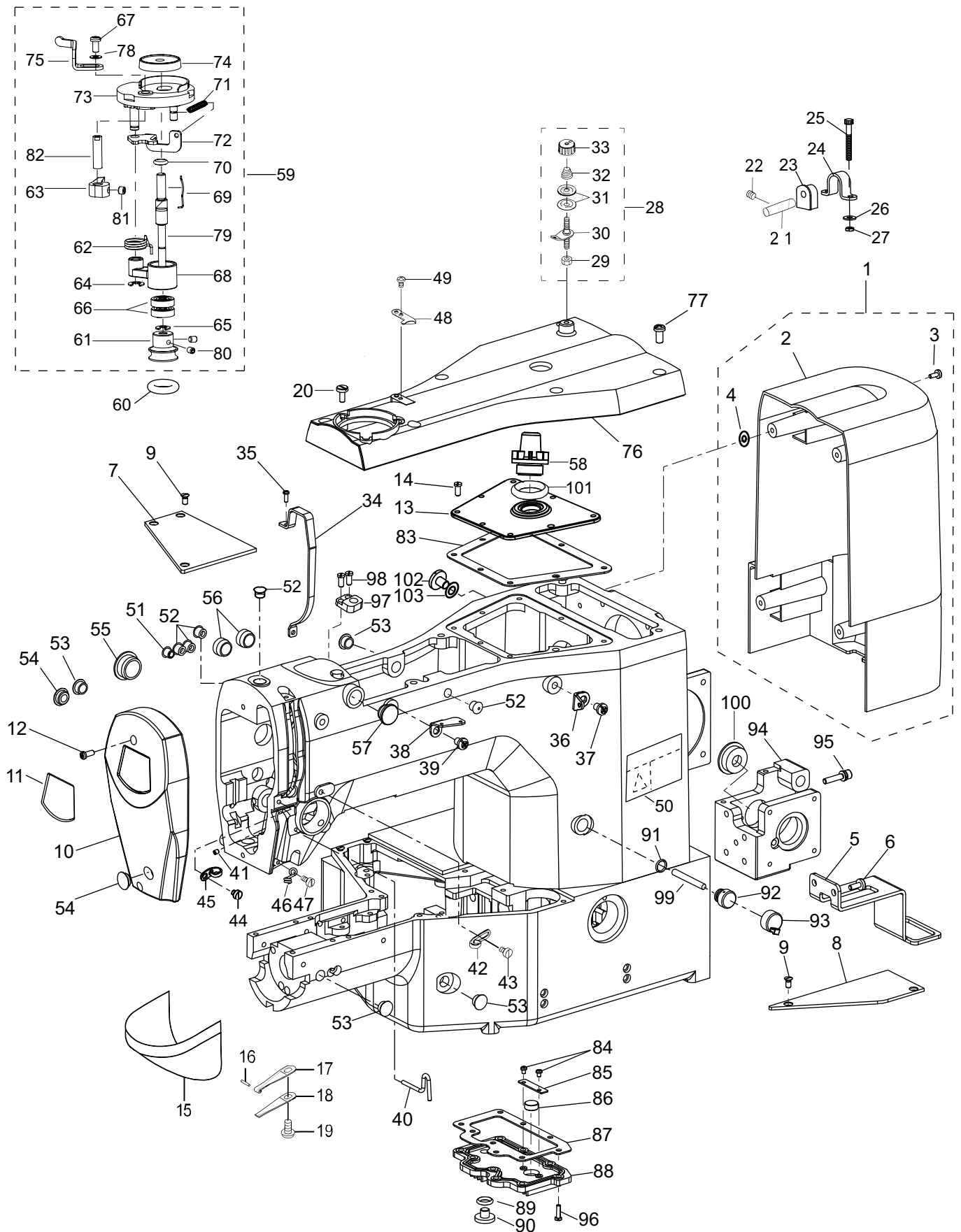
# CONTENTS

## 目 录

1.FRAME&MISCELLANEOUS COMPONENTS.....	1
机壳部件	
2.MAIN SHAFT&NEEDLE BAR COMPONENTS.....	4
挑线刺布部件	
3.SHUTTLE DRIVER SHAFT COMPONENTS.....	7
下轴部件	
4.LIFT PRESSERS COMPO NENT.....	9
抬压部件	
5.TENSION RELEASE&THREAD TENSION COMPONENTS.....	12
松线部件	
6.TENSION RELEASE&THREAD TRIMMER MECHANISM COMPONENTS.....	14
剪线部件	
7.FEED MECHANISM COMPONENTS.....	16
送料部件	
8.PENUMATIC COMPONENTS.....	19
气动部件	
9.SENSOR COMPONENTS.....	21
自动控制部件	
10. THREAD STAND COMPONENTS.....	23
线架部件	
11. ACCESSORIES PART COMPONENTS.....	25
附件	
12. WIPER MECHANISM COMPONENTS.....	27
扫线部件	

# 1.FRAME&MISCELLANEOUS COVER COMPONENTS

## 机壳部件



## 1、机壳部件FRAME&MISCELLANEOUS COVER COMPONENTS

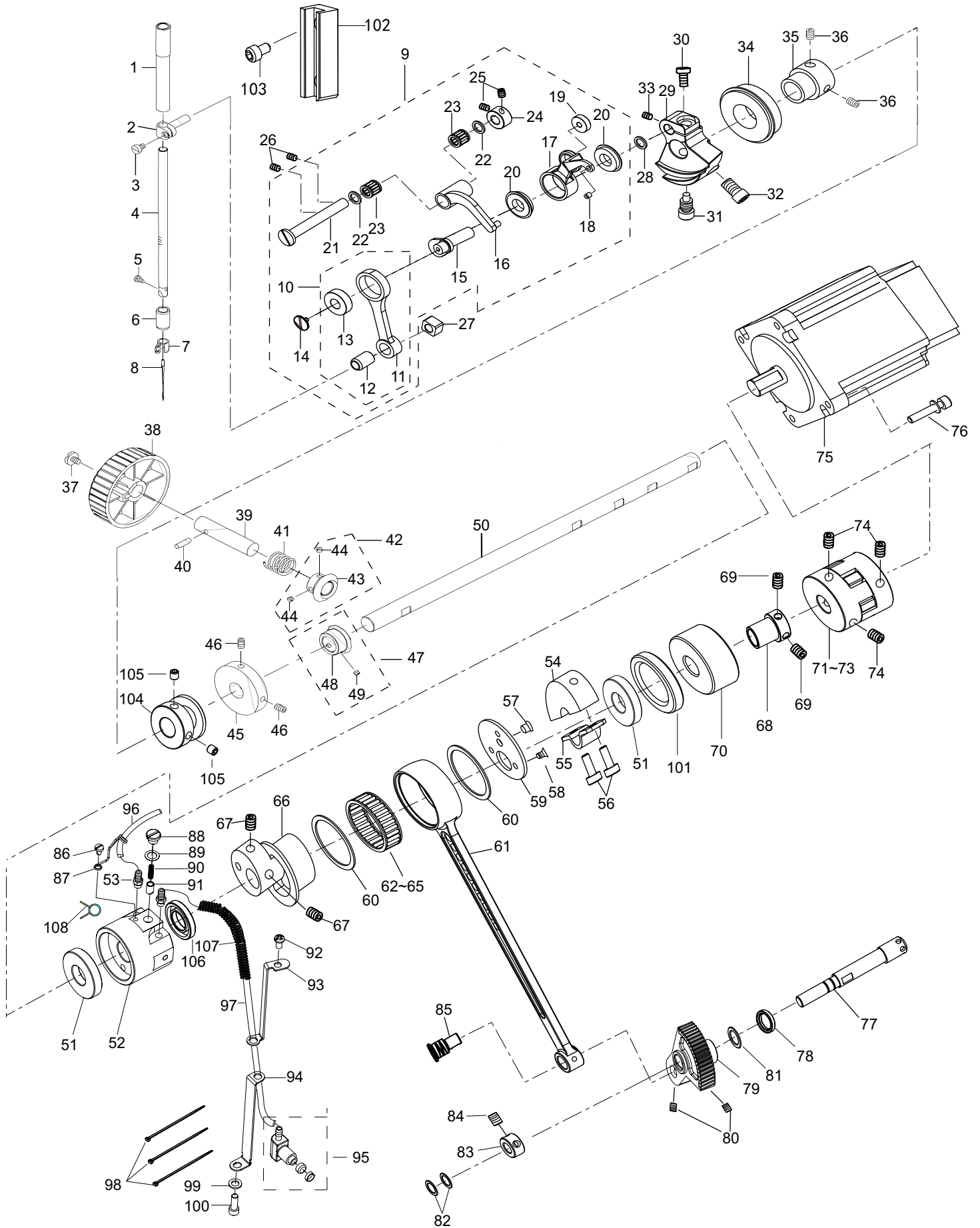
序号 Ref.No.	件号 Part No.	名 称	Description	数量 QTY
1	20006929	后罩组件	MOTOR COVER ASM	1
2	20004107	后罩	MOTOR COVER	1
3	10011101	螺钉	SCREW	4
4	10011135	垫片	STOPPER	4
5	10008600	电线固定板	PROTECTION_PLATE	1
6	10011101	螺钉	SCREW	2
7	20004112	左盖板	BED COVER LEFT	1
8	20004113	右盖板	BED COVER RIGHT	1
9	10011142	螺钉	SCREW	5
10	20004104	面板☆	FACE COVER	1
11	10005468	面板装饰牌☆	PLATE	1
12	10011150	螺钉	SCREW	2
13	10037217	上密封盖板	UPPER SEAL PLATE	1
14	10013567	螺钉	SCREW	7
15	20001911	梭床罩	CYLINDER ARM CAP	1
16	10010815	销	PIN	1
17	10011420	梭床罩弹簧A	HOOK COVER PRESSER SPRING A	1
18	10010807	梭床罩弹簧B	HOOK COVER PRESSER SPRING B	1
19	10010808	螺钉	SCREW	1
20	10011101	螺钉	SCREW	3
21	10011141	销	PIN	2
22	10011232	螺钉	SCREW	2
23	10011137	机头胶垫	HINGE RUBBER	2
24	10011160	支撑固定架	BED HINGE	2
25	10011147	螺钉	SCREW	4
26	10003076	垫圈	WASHER	4
27	10003084	螺母	NUT	8
28	10011595	绕线夹线器	BOBBIN THREAD TENSION ASM	1
29	10004507	螺母	NUT	1
30	10004504	中过线板组件	BOBBIN THREAD TENSION ROD ASM	1
31	10004393	夹线板	THEAD TENSION DISK	2
32	10004391	弹簧	CONNECTING ROD SPRING	1
33	10004686	螺母	NUT	1
34	20003790	挑线杆防护罩	BALANCE COVER	1
35	10011143	螺钉	SCREW	2
36	10011145	单眼过线板	THREAD GUIDE NO. 1	1
37	10011158	螺钉	SCREW	1
38	10011200	上过线板	THREAD GUIDE PLATE	1
39	10011158	螺钉	SCREW	1
40	10037247	拦线钩	L-SHAPEDTHREAD GUIDE A	1
41	10011887	螺钉	SCREW	1
42	10008940	右线钩	ARM THREAD GUIDE A	1
43	10011142	螺钉	SCREW	1
44	10011142	螺钉	SCREW	1
45	10014281	中线钩	TAKE-UP THREAD GUIDE B	1
46	10037421	下过线板	ARM THREAD GUIDE B	1
47	10010668	螺钉	SCREW	2
48	10011149	绕线切刀	THREAD CUTTER	1
49	10011143	螺钉	SCREW	1
50	10008936	机头安全提示牌	SAFETY LABEL	1

## 1、机壳部件FRAME&MISCELLANEOUS COVER COMPONENTS

序号 Ref.No.	件号 Part No.	名称	Description	数量 QTY
51	10011188	橡胶塞	RUBBER PLUG	2
52	10010587	橡胶塞	RUBBER PLUG	5
53	10011136	橡胶塞	RUBBER PLUG	4
54	10011099	橡胶塞	RUBBER PLUG	2
55	10011146	橡胶塞	RUBBER PLUG	2
56	10014279	橡胶塞	RUBBER PLUG	2
57	10011190	橡胶塞	RUBBER PLUG	1
58	10012438	油窗	OIL TANK	1
59	10031159	绕线器	BOBBIN WINDER ASM	1
60	10008773	橡胶轮	RUBBER RING	1
61	10027392	绕线轮	BOBBIN WINDER WHEEL	1
62	10004501	弹簧	SPRING	1
63	10027395	绕线定位块	BOBBIN WINDER REGULATOR	1
64	10013038	挡圈	E-RING	1
65	10007895	挡圈	E-RING	1
66	10003517	625ZZ轴承	BEARING	1
67	10009455	螺钉	SCREW	1
68	10027388	摆动连杆	BOBBIN WINDER SHAFT COMPL	1
69	10031058	弹簧	LATCH SPRING	1
70	10027399	O型圈	RUBBER RING	1
71	10027394	弹簧	SPRING	1
72	10027391	控制板	ADJUSTING PLATE	1
73	10031087	梭心卷绕体组件	BOBBIN FITING BASIS COMPL	1
74	10027390	卷绕轴垫	CUSHING	1
75	10030709	卷绕手柄	BOBBIN LEVER	1
76	20018537	上盖	TOP COVER	1
77	10011161	螺钉	SCREW	6
78	10003122	垫圈	WASHER	1
79	10031163	梭芯卷绕轴	BOBBIN SHAFT	1
80	10002896	螺钉	SCREW	2
81	10012014	螺钉	SCREW	1
82	10006152	绕线凸轮轴	BOBBIN CAM SHAFT	1
83	10037218	上密封盖板垫	UPPER SEAL GASKET	1
84	10000040	螺钉	SCREW	2
85	10001242	垫板	PLATE	1
86	10001096	磁铁	MAGNET	1
87	10037232	齿轮箱盖密封垫	GEAR BOX SEAL GASKET	1
88	10037233	齿轮箱底盖	GEAR BOX COVER	1
89	10010240	O形圈	RUBBER RING	1
90	10008783	螺钉	SCREW	1
91	10012139	O形圈	RUBBER RING	1
92	10002483	排气阀	EXHAUST VALVE	1
93	10008771	橡胶盖	RUBBER COVER	1
94	10033242	剪线电机固定架	MOTOR HOLDER	1
95	10000157	螺钉	SCREW	4
96	10013567	螺钉	SCREW	9
97	10031167	上盖支块	SCREW BLOCK	1
98	10011143	螺钉	SCREW	2
99	10021559	销	PIN	1
100	10003601	轴承	BEARING	1
101	10008939	O形圈	RUBBER RING	1
102	10051608	螺钉	SCREW	1
103	10009988	垫圈	WASHER	1

## 2.MAIN SHAFT&NEEDLE BAR COMPONENTS

### 挑线刺布部件



## 2、挑线刺布部件MAIN SHAFT & NEEDLE BAR COMPONENTS

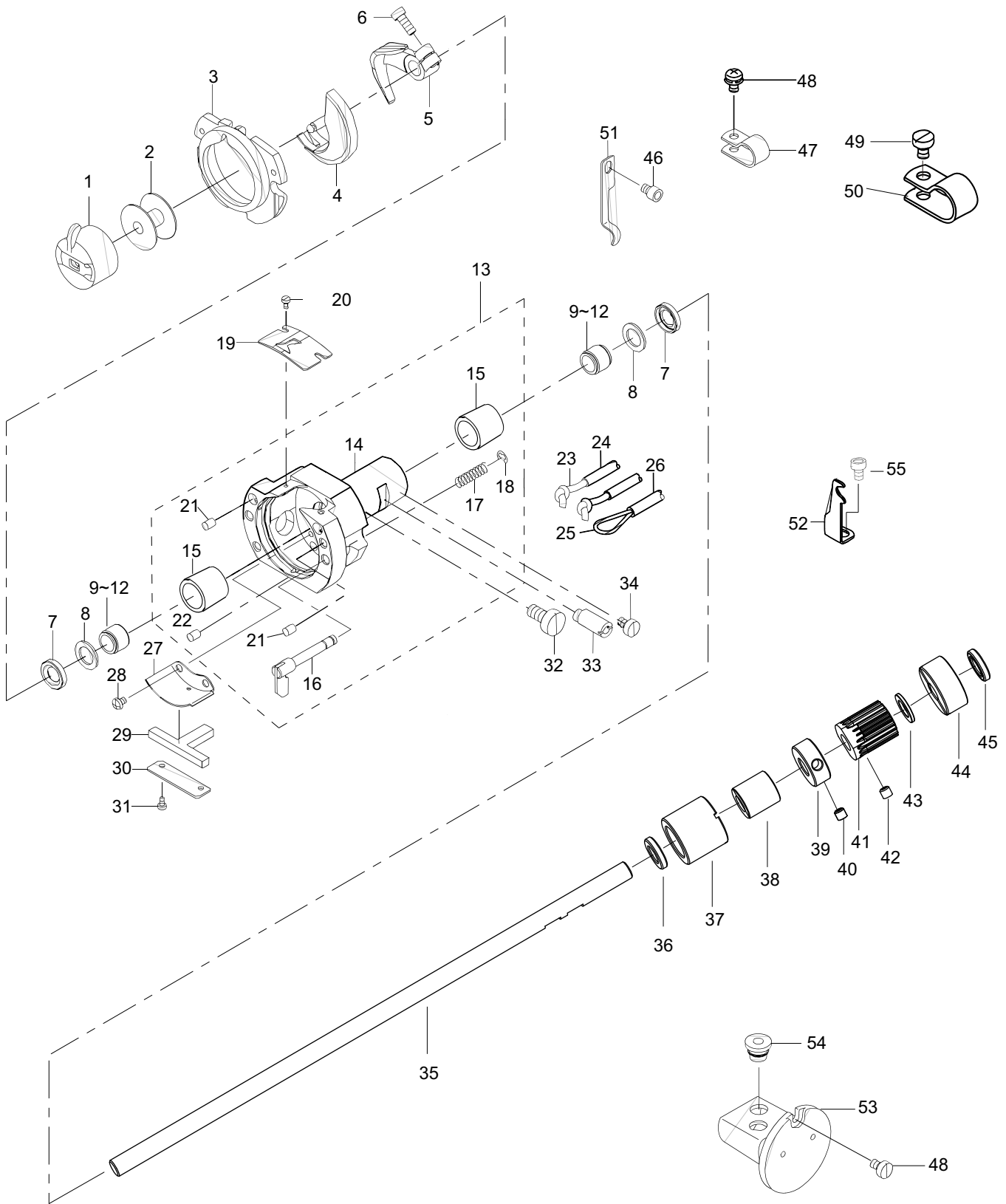
序号 Ref.No.	件号 Part No.	名 称	Description	数量 QTY
1	10023528	轴套	NEEDLE ROD SLEEVE	1
2	10010590	针杆连接柱	NEEDLE BAR CONNECTING COLUMN	2
3	10010643	螺钉	SCREW	1
4	10014277	针杆	NEEDLE BAR	1
5	10011699	螺钉	SCREW	1
6	10023529	轴套	NEEDLE ROD LOWER METAL	1
7	10011701	针杆线钩	THREAD GUIDE	1
8	10023286	机针	NEEDLE DP×5 #16	1
9	10021602	挑线杆组件	THREAD TAKE UP COMPL	1
10	10007983	针杆连杆组件	NEEDLE BAR CRANK BOD ASM	1
11	10007986	针杆连杆	NEEDLE BAR CRANK ROD	1
12	10005793	针杆连杆轴套	NEEDLE BAR CRANK BOD METAL	1
13	10009777	轴承	BEARING	1
14	10010537	螺钉	SCREW	1
15	10008014	挑线曲柄	NEEDLE BAR CRANK	1
16	10007987	挑线连杆	THREAD TAKE UP CRANK	2
17	10007985	挑线杆	THREAD TAKE UP LEVER	1
18	10004161	挑线杆过线套	THREAD PASS BUSH	1
19	10003591	轴承	BEARING	1
20	10051399	轴承	BEARING	2
21	10007984	挑线连杆销	BALANCE CRANK PIN	1
22	10005786	挡圈	THRUST COLLAR	2
23	10005747	轴承	BEARING	2
24	10005745	挡圈	THRUST COLLAR	1
25	10004482	螺钉	SCREW	2
26	10000314	螺钉	SCREW	2
27	10011194	针杆连接柱滑块	SQUARE BLOCK	1
28	10011622	挡圈	THRUST COLLAR	1
29	10014283	针杆曲柄	COUNTER EIGHT	1
30	10014272	螺钉	SCREW	1
31	10014282	螺钉	SCREW	1
32	10014284	螺钉	SCREW	1
33	10011232	螺钉	SCREW	1
34	10003467	轴承	BEARING	1
35	10014280	上轴前轴套	BEARING BUSH A	1
36	10010678	螺钉	SCREW	2
37	10011225	螺钉	SCREW	1
38	10011603	手轮	PULLEY	1
39	10011231	手轮轴	HAND PULLEY SHAFT	1
40	10006073	销	PIN	1
41	10011242	弹簧	SPRING	1
42	10021312	弧齿锥齿轮组件_手轮轴	GEAR ASM.	1
43	10011235	齿轮	GEAR	1
44	10011226	螺钉	SCREW	2
45	10002392	绕线主动轮	BTW DRIVING WHEEL	1
46	10011223	螺钉	SCREW	2
47	10027407	上轴齿轮组件	GEAR ASM.	1
48	10002413	齿轮	GEAR	1
49	10011226	螺钉	SCREW	2
50	10037428	上轴	MAIN SHAFT	2
51	10010507	油封	OIL SEAL	2
52	10037249	油泵体组件	OIL PUMP ASM.	2
53	10008779	油管接头	JOINT	1

## 2、挑线刺布部件MAIM SHAFT & NEEDLE BAR COMPONENTS

序号 Ref.No.	件号 Part No.	名 称	Description	数量 QTY
54	10014337	上轴平衡轮	CRANK BALANCER	1
55	10014332	上轴平衡轮固定板	CRANK BALANCER FIX PLATE	1
56	10011644	螺钉	SCREW	2
57	10014266	橡胶塞	PUBBER PLUG	1
58	10009626	螺钉	SCREW	3
59	10014268	大连杆滚针轴承盖板	CRANK ROD SUPPORT PLATE	1
60	10014269	挡圈	RETAINING COLLAR	2
61	10037219	大连杆	CRANK ROD	1
62	10023508	轴承	BEARING	1
63	10023509	轴承	BEARING	1
64	10023510	轴承	BEARING	1
65	10023511	轴承	BEARING	1
66	10014265	偏心轮	ECCENTRIC WHEEL	1
67	10009187	螺钉	SCREW	2
68	10014264	上轴后轴承套	BEARING BUSH	1
69	10010678	螺钉	SCREW	2
70	10025863	轴承	BEARING	1
71	10040331	电机端联轴器	COUPLING	1
72	10011227	传动连接橡胶块	RELAX	1
73	10040330	上轴端联轴器	COUPLING	1
74	10009187	螺钉	SCREW	4
75	10024981	上轴电机	AC SERVO MOTOR	1
76	10000157	螺钉	SCREW	4
77	10037229	销	PIN	1
78	10010577	油封	OIL SEAL	1
79	10037230	齿轮	BEARING	2
80	10011232	螺钉	SCREW	2
81	10037231	垫圈	WASHER	1
82	10010146	O形圈	RUBBER RING	2
83	10004600	挡圈	RETAINING COLLAR	1
84	10013590	螺钉	SCREW	2
85	10037228	销	PIN	1
86	10002129	螺钉	SCREW	1
87	10037260	油管定位架	FILLER PIPE HOLDER	1
88	10013232	螺钉	SCREW	1
89	10037261	防油纸垫	PAPER SPACER	1
90	10013238	活塞弹簧	SPRING	1
91	10012609	柱塞	PLUNGER	1
92	10011570	螺钉	SCREW	1
93	10037221	上油管架	UPPER FILLER PIPE BRACKET	1
94	10037222	下油管架	LOWER FILLER PIPE BRACKET	1
95	10000471	油管二接头	FILLER PIPE JOINT ASM.	1
96	10007800	φ3×φ5油管	φ3×φ5 FILLER PIPE	50mm
97	10007800	φ3×φ5油管	φ3×φ5 FILLER PIPE	310mm
98	40000363	扎带	BINDING TAPE	3
99	10006115	垫圈	WASHER	1
100	10013616	螺钉	SCREW	1
101	10039126	油封衬套	OIL SEAL METAL	1
102	10037240	滑块槽	SQUARE BLOCK TROUGH	1
103	10014477	螺钉	SCREW	1
104	10030518	中压脚凸轮	DRIVING WHEEL	1
105	10011232	螺钉	SCREW	2
106	10013448	油封	PIN	1
107	10014477	弹簧	SPRING	1
108	10013448	弹簧	SPRING	1

### 3.SHUTTLE DRIVER SHAFT COMPONENTS

#### 下轴部件



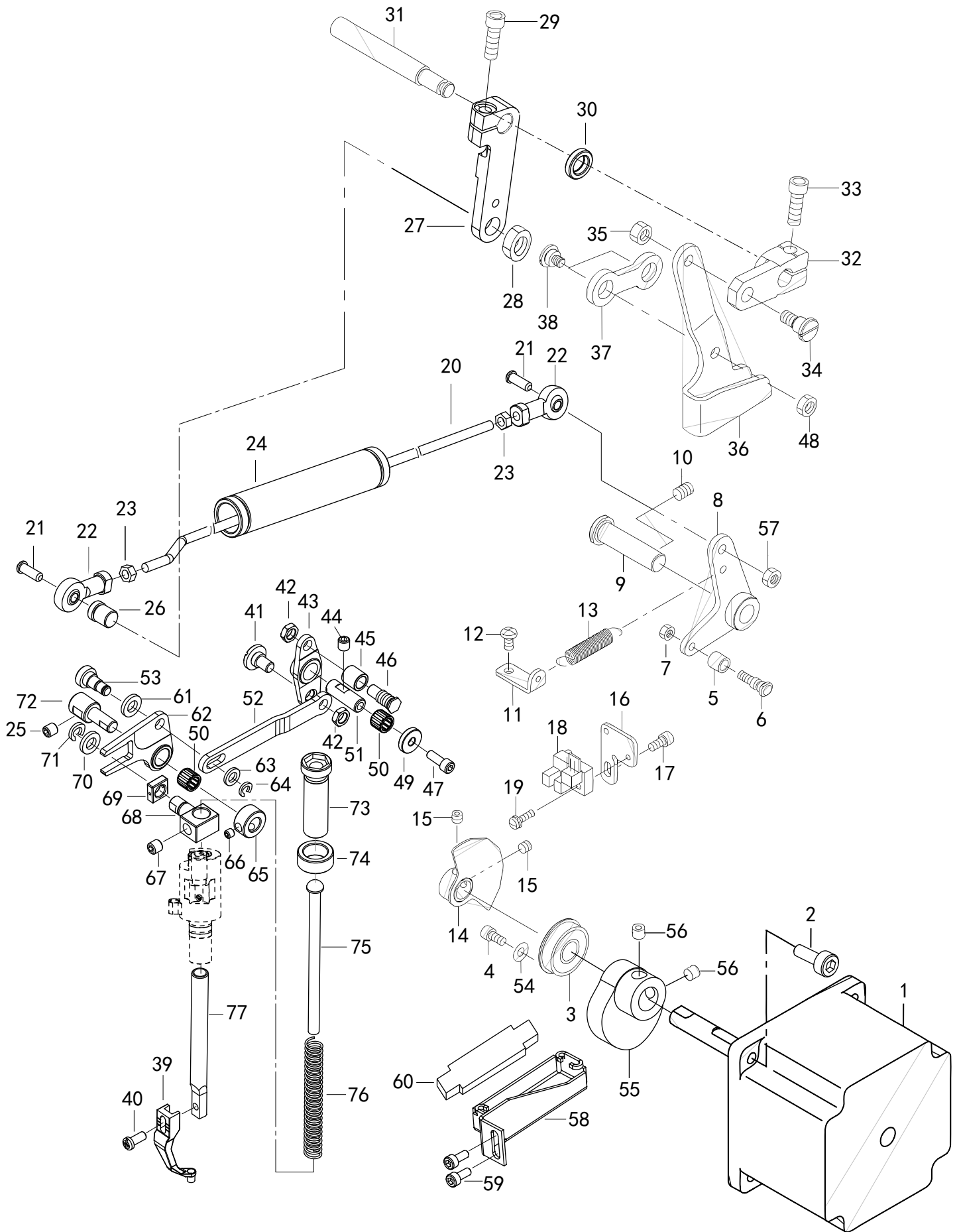


### 3、下轴部件SHUTTLE DRIVER SHAFT COMPONENTS

序号 Ref.No.	件号 Part No.	名 称	Description	数量 QTY
1	10003781	梭壳	BOBBIN CASE ASM	1
2	10004592	锁芯	BOBBIN	1
3	10010738	梭床盖组件	SHUTTLE RACE RING ASM	1
4	10025068	摆梭	INNER HOOK	1
5	10004609	摆梭托	SHUTTLE DRIVER	1
6	10004611	螺钉	SCREW	1
7	10014297	油封	SHUTTLE OIL SEAL	2
8	10014295	挡圈	SHUTTLE BEARING RING	2
9	10023516	轴承	BEARING	2
10	10023517	轴承	BEARING	2
11	10023518	轴承	BEARING	2
12	10023519	轴承	BEARING	2
13	10022792	梭床小组件	SHUTTLE ASM.	1
14	10014248	梭床	SHUTTLE	1
15	10008576	梭床衬套	SHUTTLE BUSH	1
16	10004261	梭床锁紧钩组件	INNER HOOK PRESSER ASM.	2
17	10004495	弹簧	SPRING	2
18	10009669	挡圈	E-RING	2
19	10004596	梭床簧	SHUTTLE UPPER SPRING	1
20	10010744	螺钉	SCREW	2
21	10011077	毛毡	SHUTTLE OIL FELT	2
22	10011427	毛毡	SHUTTLE OIL FELT	1
23	10008103	油线	OIL WICK	2
24	10007795	油管	FILLER PIPE	2
25	10008103	油线	OIL WICK	1
26	10007795	油管	FILLER PIPE	1
27	10007926	油线夹板	SHUTTLE LUBRICATING PLATE	1
28	10010797	螺钉	SCREW	2
29	10010800	毛毡	SHUTTLE ONCE THROUGH OIL FELT	1
30	10010799	毛毡压板	ONCE THROUGH OIL LFELT PRESSER	1
31	10010744	螺钉	SCREW	2
32	10010817	螺钉	SCREW	1
33	10011426	螺钉	SCREW	1
34	10011425	螺钉	SCREW	1
35	10037224	下轴	LOWER SHAFT	1
36	10035171	油封	OIL SEAL	1
37	10037225	下轴前衬套	SLEEVE A	1
38	10037273	轴承	NUT	1
39	10037298	挡圈	WASHER	1
40	10013590	螺钉	SCREW	2
41	10037223	齿轮	GEARED	1
42	10011232	螺钉	SCREW	2
43	10037227	垫圈	WASHER	1
44	10037226	下轴后轴套	SLEEVE B	1
45	10035171	油封	OIL SEAL	1
46	10005107	螺钉	SCREW	1
47	10008228	SN-3A夹头	CABLE CLIP	1
48	10012892	螺钉	SCREW	2
49	10011101	螺钉	SCREW	1
50	10008229	SL-12N夹头	CABLE CLIP	1
51	10014294	油管限位板	OIL_PIPE HOLDER	1
52	10014288	油管限位板	TUBE_CLAMP	1
53	10021601	油窗组件	OIL TANK ASM.	1
54	10014296	油塞	RUBBER BUSH	2
55	10010685	螺钉	SCREW	1

# 4.LEFT PRESSERS COMPONENTS

## 抬压部件



#### 4、抬压部件LIFT PRESSER COMPONENTS

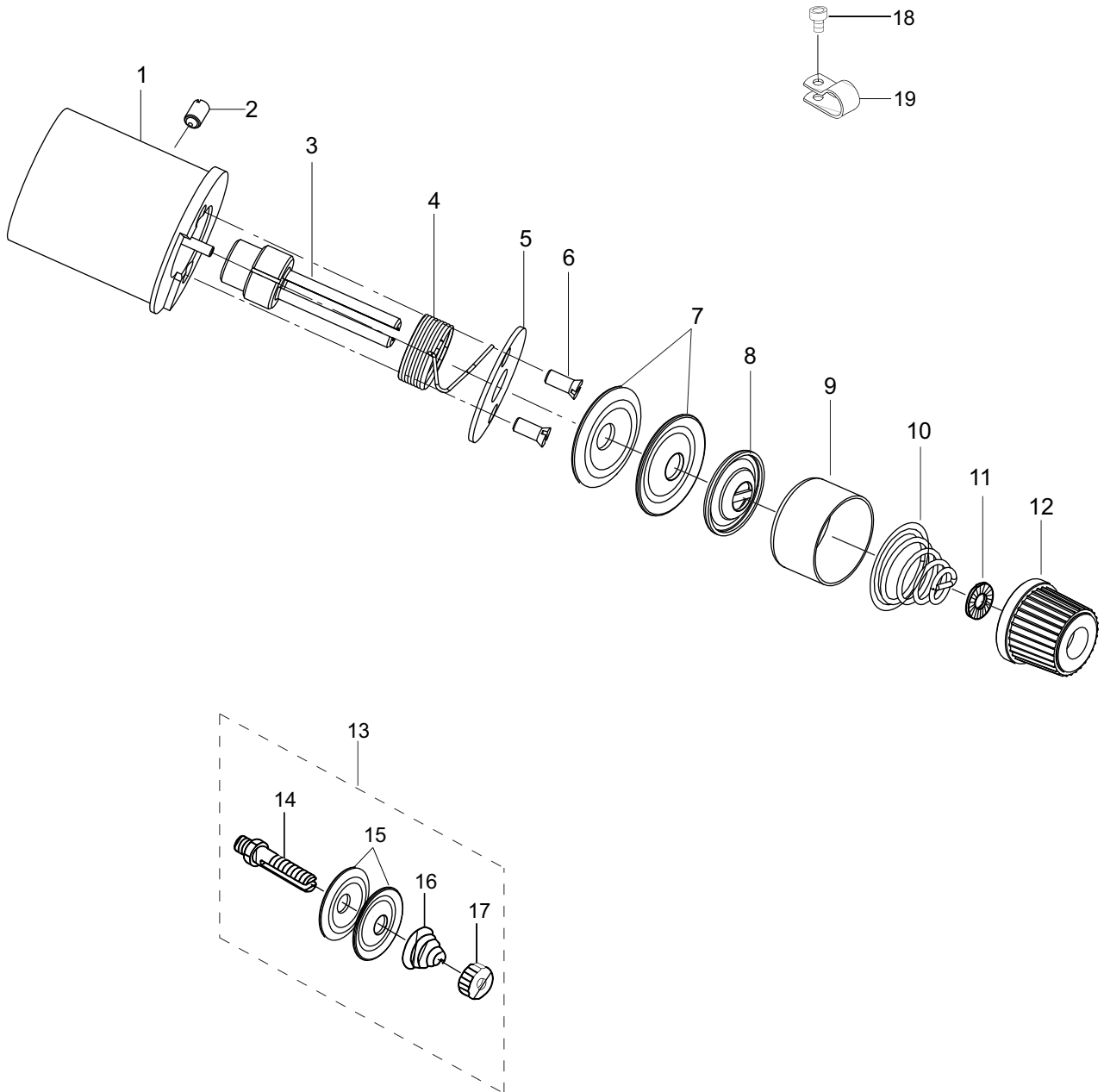
序号 Ref.No.	件号 Part No.	名 称	Description	数量 QTY
1	10024982	抬压电机	PRESSER LIFTING MOTOR	1
	10036280	闭环抬压电机	CLOSE LOOP PRESSER LIFTING MOTOR	1
2	10011644	螺钉	SCREW	4
3	10003601	轴承	BEARING	1
4	10010668	螺钉	SCREW	1
5	10028245	销套	NEEDLE CAM ROLLER A	1
6	10014342	销	UTT CAM ROLLER SHAFT	1
7	10014354	螺母	NUT	1
8	10037252	抬压曲柄组件	LIFTER LINK A ASM	1
9	10014289	抬压曲柄轴	THREAD TRIMMER SHAFT	1
10	10011232	螺钉	SCREW	1
11	10014343	拉板	SIDE COVER THREAD GUIDE	1
12	10012892	螺钉	SCREW	1
13	10014356	弹簧	SPRING	1
14	10014293	抬压电机传感片组件	SENSOR SLIT	1
15	10011518	螺钉	SCREW	2
16	10014291	抬压传感器安装板	SENSOR_INSTALLING_BASE	1
17	10010668	螺钉	SCREW	1
18	10026622	抬压传感器	PHOTO SENSOR	1
19	10010667	螺钉组件	SCREW	1
20	10037234	抬压拉杆	LIFTER LINK B	1
21	10037250	螺钉	SCREW	2
22	10011586	万能接头组件	UNIVERSAL CONTACT JOINT	2
23	10003075	螺母	NUT	2
24	10037235	抬压拉杆套	PULL-ROD BUSH	1
25	10005295	螺钉	SPRING	1
26	10037238	螺钉	SCREW	1
27	10037236	拨线曲柄	CONNECTING ARM	1
28	10037825	螺母	NUT	1
29	10010735	螺钉	SCREW	1
30	10037237	垫圈	WASHER	1
31	10011914	曲柄轴	CONNECTING SHAFT	1
32	10014340	抬压驱动曲柄	LOWERING ARM	1
33	10010735	螺钉	SCREW	1
34	10010674	螺钉	SCREW	1
35	10010725	螺母	NUT	1
36	10014355	抬压传动板	LOWERING FOOT	1
37	10010684	抬压脚定位连杆	CONNECTING LINK	1
38	10010727	螺钉	SCREW	2
39	10030536	中压脚	MID FEET	1
40	10010650	螺钉	SCREW	1
41	10014344	螺钉	SCREW	1
42	10010725	螺母	NUT	2
43	10030519	中压脚曲柄	WINCH	1
44	10022863	螺钉	SCREW	2
45	10030525	销套	PIN SET	1
46	10030523	销	PIN	1
47	10000342	螺钉	SCREW	1
48	10010725	螺母	NUT	1
49	10030521	中压脚曲柄盖板	COVER BOARD	1

#### 4、抬压部件LIFT PRESSER COMPONENTS

序号 Ref.No.	件号 Part No.	名 称	Description	数量 QTY
50	10003971	轴承	BEARING	2
	10003972	轴承	BEARING	2
51	10030520	销	PIN	1
52	10030526	中压脚摆动拉杆	ASWAY POLE	1
53	10030531	螺钉	SCREW	1
54	10010741	垫圈	WASHER	1
55	10014287	抬压凸轮	LIFT TO PRESS THE CAM	1
56	10011232	螺钉	SCREW	2
57	10010133	螺母	NUT	1
58	10028675	抬压凸轮油槽	GREASE SLOT	1
59	10010685	螺钉	SCREW	2
60	10010685	毛毡	OIL FLET	1
61	10030529	左垫圈	LEFT WASHER	1
62	10030527	中压脚摆动曲柄	ASWAY WINCH	1
63	10030530	右垫圈	RIGHT WASHER	1
64	10009653	卡簧	RETAINING RING	1
65	10005745	挡圈	THRUST COLLAT	1
66	10013590	螺钉	SCREW	2
67	10013444	螺钉	SCREW	1
68	10030535	压杆导架	ORIENTED PIECE	1
69	10030534	摆动曲柄滑块	SLIP PIECE	1
70	10030524	垫圈	WASHER	1
71	10007859	卡簧	RETAINING RING	1
72	10030528	销	PIN	1
73	10031165	调压螺钉	ADJUSTIVE SCREW	1
74	10031166	调压螺母	ADJUSTIVE NUT	1
75	10012426	调压导杆	ADJUSTIVE LEADER	1
76	10004505	弹簧	SPRING	1
77	10010646	压杆	POLE	1

# 5.THREAD TENSION COMPONENTS

## 松线器组件

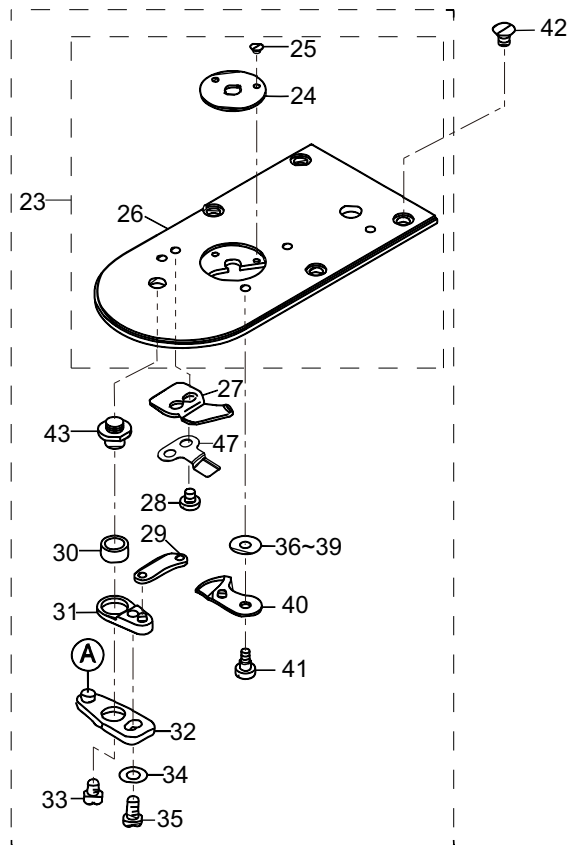
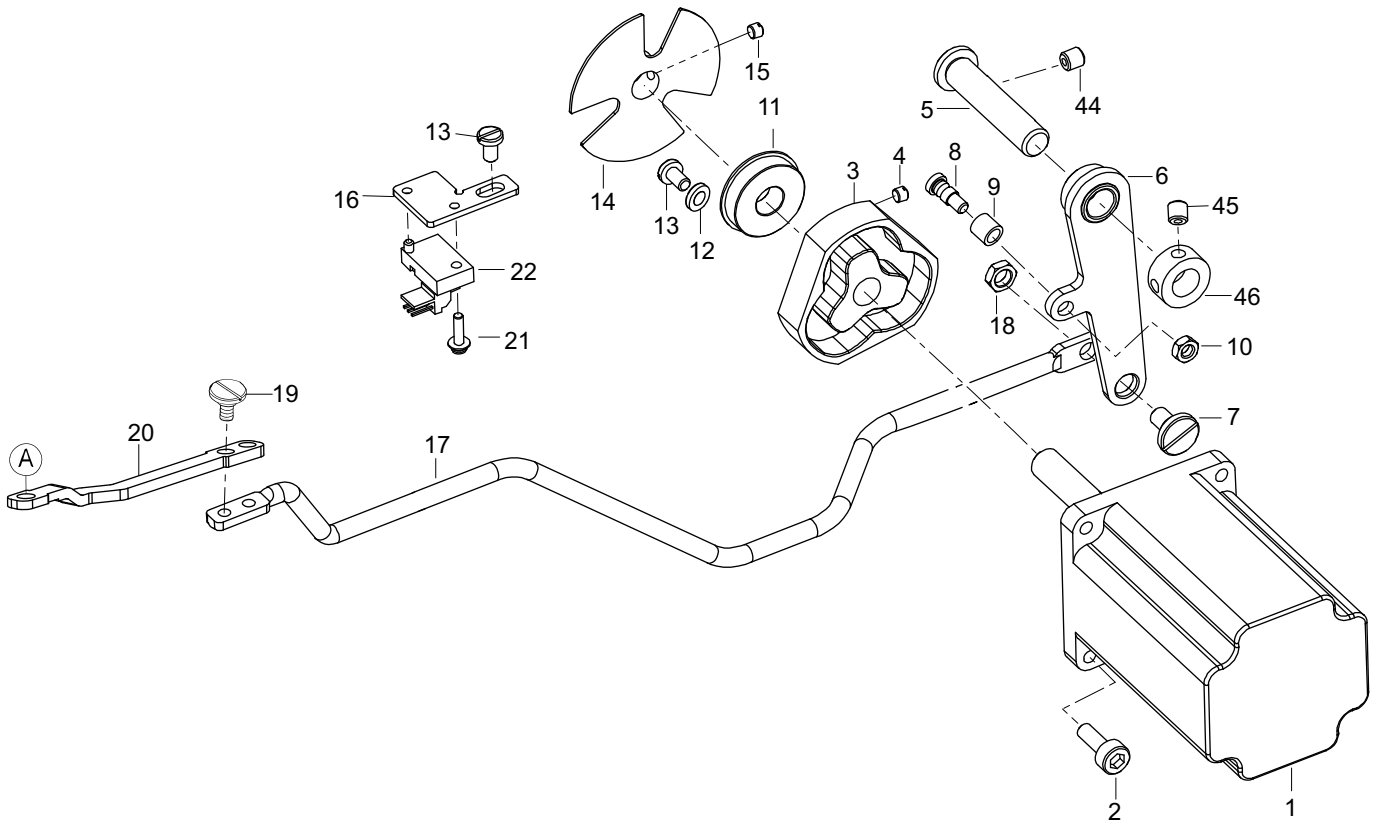


### 5、松线部件THREAD TENSION COMPONENTS

序号 Ref.No.	件号 Part No.	名称	Description	数量 QTY
1	10037241	电磁铁组件	THREAD TENSION ELECTROMAGNET	1
2	10039435	螺钉	SCREW	1
3	10037581	夹线螺钉	SCREW	1
4	10039203	弹簧	SPRING	1
5	10037243	锁紧块	LOCK PLATE	1
6	10052062	螺钉	SCREW	2
7	10005489	过线板	THREAD TENSION DISK	2
8	10004625	松线板	THREAD TENSION DISK PRESSER	1
9	10004598	夹线簧座	TENSION NUT	1
10	10004626	弹簧	SPRING	1
11	10004633	夹线制动板	ROTATING STOPPER	1
12	10004783	夹线螺母	THREAD TENSION NUT	1
13	10011493	夹线组件	FIRST THREAD TENSION ASM	1
14	10004666	螺钉	SCREW	1
15	10004393	夹线板	THREAD TENSION DISK	2
16	10004669	弹簧	SPRING	1
17	10004664	夹线螺母	TENSION NUT	1
18	10010685	螺钉	SCREW	2
19	10008228	SN-3A夹头	CABLE CLIP	3

# 6.THREAD TRIMMER MECHANISM COMPONENTS

## 剪线部件



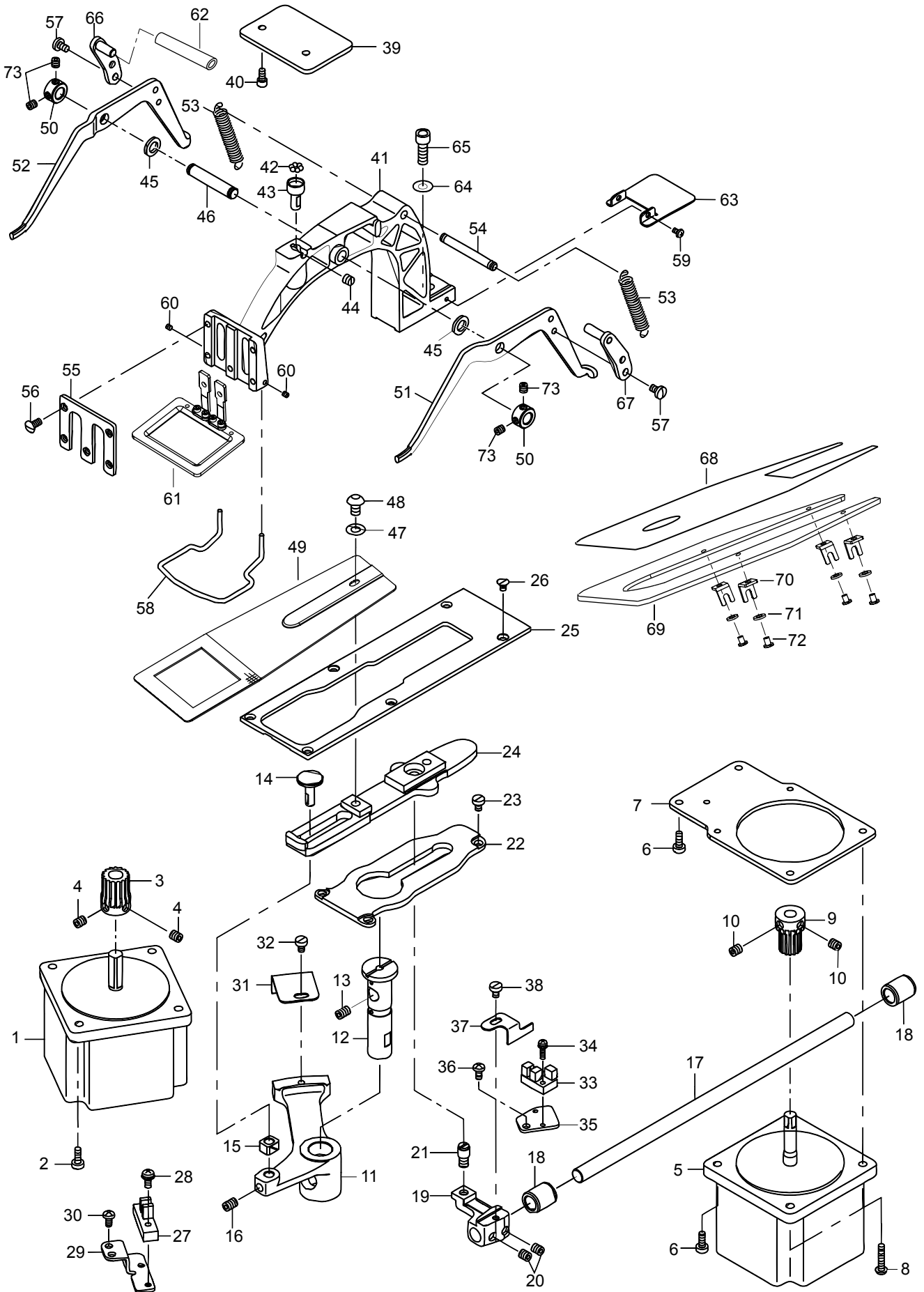
## 6、剪线部件 THREAD TRIMMER MECHANISM COMPONENTS

序号 Ref.No.	件号 Part No.	名 称	Description	数量 QTY
1	10033243	剪线电机	SHEAR-LINE MOTOR	1
2	10009103	螺钉	SCREW	4
3	10037294	剪线凸轮	TRIMMING CAM	1
4	10011232	螺钉	SCREW	2
5	10033244	抬压曲柄轴	THREAD TRIMMER SHAFT	1
6	10014339	剪线曲柄组件	THREAD TRIMMER LINK	1
7	10014344	螺钉	SCREW	1
8	10014342	销	PIN	1
9	10028245	销套	PIN SET	1
10	10014354	螺母	NUT	1
11	10003601	轴承	BEARING	1
12	10010741	垫圈	WASHER	1
13	10010668	螺钉	SCREW	2
14	10037295	剪线电机传感片组件	SENSOR SLIT ASM	1
15	10011518	螺钉	SCREW	2
16	10037741	剪线传感器安装板	SHRAR-LINE SENSOR INSTALLATION SHEET	1
17	10008078	剪线拉杆	CONNECTING BAR	1
18	10010725	螺母	NUT	1
19	10011142	螺钉	SCREW	2
20	10008006	剪线拉杆接头	SHEAR-LINE ROD CONNECTOR	1
21	10010667	传感器螺钉组件	SENSOR SCREW COMPONENTS	1
22	10026622	传感器	SENSORS	1
23	10014298	针板组件	NEEDLE PATE ASM.	1
24	10047532	小针板	NEEDLE HOLE GUIDE	1
25	10011509	螺钉	SCREW	2
26	10008027	针板	NEEDLE PLATE	1
27	10011501	定刀	FIXING KNIFE	1
28	10011499	螺钉	SCREW	2
29	10011453	动刀连杆	MOVING KNIFE LINK	1
30	10011502	动刀杆销衬套	THREAD CUTTING LEVER RING	1
31	10010733	动刀曲柄分组件	THREAD CUTTER LEVER ASM., SMAL	1
32	10010737	动刀传动杆分组件	THREAD CUTTER LEVER ASM., LARG	1
33	10011503	螺钉	SCREW	1
34	10011506	垫圈	WASHER	1
35	10009906	螺钉	SCREW	1
36	10007183	垫圈	WASHER	1
37	10007361	垫圈	WASHER	1
38	10007362	垫圈	WASHER	1
39	10007363	垫圈	WASHER	1
40	10011513	动刀分组件	MOVING KNIFE ASM.	1
41	10011500	螺钉	SCREW	1
42	10011511	螺钉	SCREW	1
43	10011455	螺钉	SCREW	1
44	10011232	螺钉	SCREW	1
45	10013590	螺钉	SCREW	2
46	10010803	挡圈	RETAINING COLLAR	1
47	10037254	底线夹线弹簧片	LOWER THREAD CLAMP SRING	1



# 7.FEED MECHANISM COMPONENTS

## 送料部件



## 7、送料部件FEED MECHANISM COMPONENTS

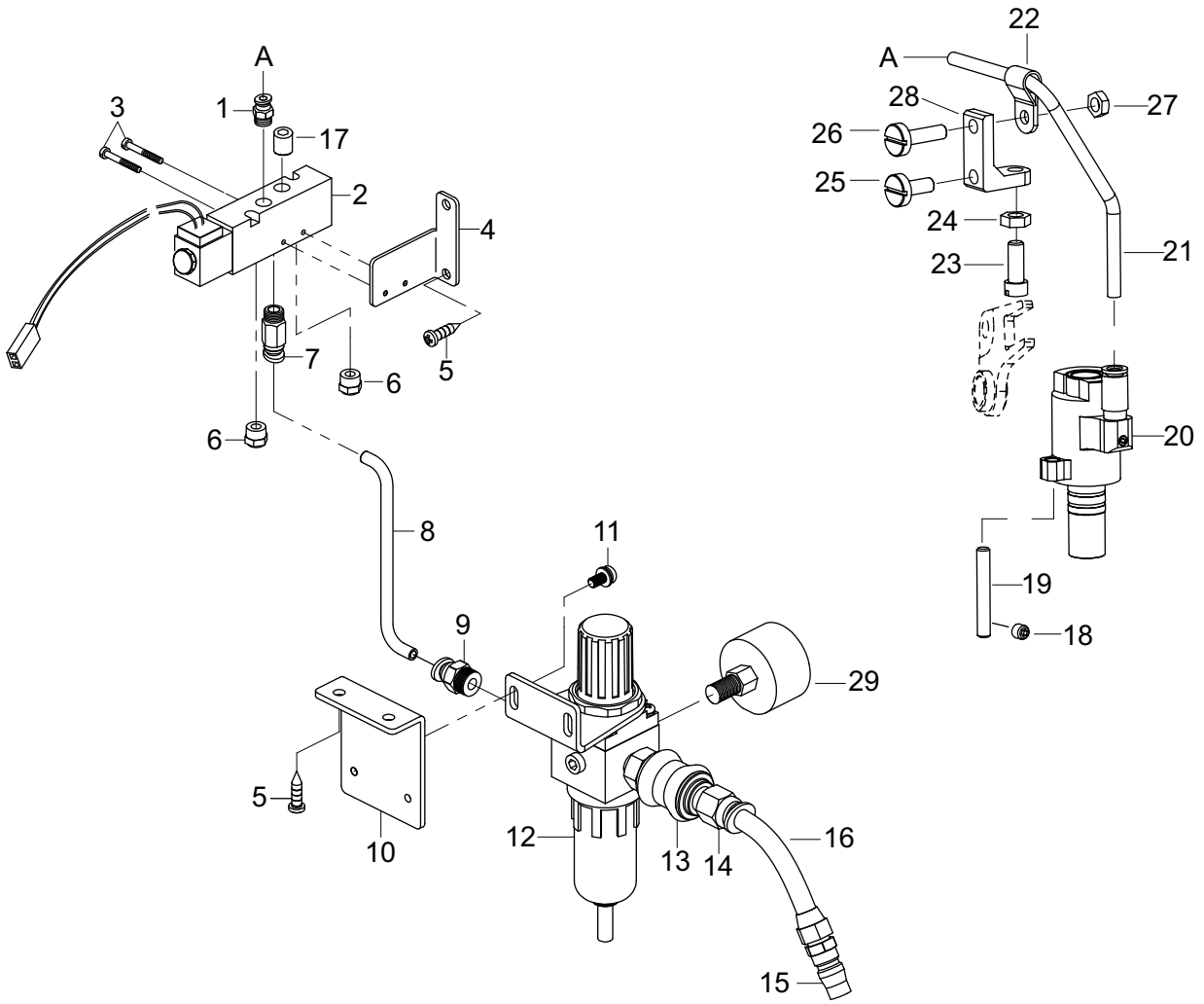
序号 Ref.No.	件号 Part No.	名 称	Description	数量 QTY
1	10024984	X轴步进电机	X FEED STEPPING MOTOR	1
	10036282	闭环X轴步进电机	CLOSE LOOP X FEED STEPPING MOTOR	1
2	10000157	螺钉	SCREW	4
3	10011638	齿轮	GEAR	1
4	10011232	螺钉	SCREW	2
5	10024985	Y轴步进电机	Y FEED STEPPING MOTOR	1
	10036283	闭环Y轴步进电机	CLOSE LOOP Y FEED STEPPING MOTOR	1
6	10011644	螺钉	SCREW	2
7	10014358	Y轴步进电机安装板	Y-AXIS STEPPER MOTOR MOUNTING PLATE	1
8	10000157	螺钉	SCREW	4
9	10011640	齿轮	GEAR	1
10	10011232	螺钉	SCREW	2
11	10030543	齿轮	GEAR	1
12	10011573	X向铰轴	X HINGE AXIS	1
13	10010678	螺钉	SCREW	1
14	10030541	X向滑块轴	SLIDE BLOCK STUD	1
15	10030540	X向滑块	SQUARE BLOCK	1
16	10010678	螺钉	SCREW	1
17	10014326	Y向驱动轴	BUSHING, REAR	1
18	10011571	轴套	BUSHING, REAR	2
19	10030539	Y向驱动轴夹头	LENGTHWISE FEED ARM	1
20	10011642	螺钉	SCREW	2
21	10011568	螺钉	SCREW	1
22	10030538	送料托架支撑板	CLOTH FEED SUPPORT PLATE	1
23	10011142	螺钉	SCREW	3
24	10030537	送料托架	CLOTH FEED PLATE	1
25	10030545	盖板	CLOTH FEED PRESSER PLATE	1
26	10011566	螺钉	SCREW	6
27	10026623	X向传感器	PHOTO SENSOR	1
28	10010667	螺钉组件	SCREW COMPONENTS	1
29	10011592	X向传感器安装板	SENSOR INSTALING BASE	1
30	10011570	螺钉	SCREW	2
31	10011517	X向传感片	CROSSFEED SENSOR SLIT	1
32	10011142	螺钉	SCREW	1
33	10026622	Y向传感器	PHOTO SINSOR	1
34	10010667	螺钉组件	SCREW COMPONENTS	1
35	10011572	Y向传感器安装板	SENSOR INSTALLING BASE	1
36	10011570	螺钉	SCREW	1
37	10030542	Y向传感片	LENGTHWISE FEED SENSOR SLIT	1
38	10011590	螺钉	SCREW	1
39	10030544	送料架支撑板	SUPPORT PLATE	1
40	10011559	螺钉	SCREW	2
41	10031161	送料架	FEED BRACKET	1
42	10011574	钢球	WORK CLAMP FOOT MONTING BASE	7
43	10011561	钢球座	BALL RETAINER	1
44	10011564	螺钉	SCREW	1
45	10014394	垫圈	WASHER	2
46	10028963	提升架轴	LIFTING LEVER SHAFT	1
47	10011646	垫圈	WASHER	2
48	10011569	螺钉	SCREW	1

## 7、送料部件FEED MECHANISM COMPONENTS

序号 Ref.No.	件号 Part No.	名 称	Description	数量 QTY
49	10030549	送料板	FEED PLATE	1
50	10004600	挡圈	THRUST COLLAR	2
51	10011454	右压脚提升架	LIFTING LEVER, RIGHT	1
52	10011567	左压脚提升架	LIFTING LEVER, LEFT	1
53	10011558	弹簧	CLOTH PRESSER SPRING	2
54	10011456	拉簧支轴柱	SPRING SUSPENSION	1
55	10011557	压脚面板	WORK CLAMP FOOT FACE PLATE	1
56	10011150	螺钉	SCREW	5
57	10009906	螺钉	SCREW	4
58	10011556	护手圈	FINGER GUARDE	1
59	10011143	螺钉	SCREW	2
60	10003383	螺钉	SCREW	2
61	10030546	布压脚组件	WORK CLAMP FOOT ASM.	1
62	10030550	提升架套	SET UP SHELF SLEEVE	1
63	10014359	送料架后拖板	HIDDEN_PLATE	1
64	10006013	垫圈	WASHER	1
65	10010735	螺钉	SCREW	1
66	10024705	左压脚提升导板组件	LEVER DRIVING PLATE ASM.	1
67	10024706	右压脚提升导板组件	LEVER DRIVING PLATE ASM.	1
68	10031169	布压脚托板保护膜	PROTECTIVE FILM	1
69	10030551	压脚托板	FEET SPLINT	1
70	10030552	压脚托板座	FEET SPLINT PEDESTAL	4
71	10010741	垫圈	WASHER	4
72	10011142	螺钉	SCREW	4
73	10013590	螺钉	SCREW	4

# 8. PNEUMATIC COMPONENTS

## 气动部件

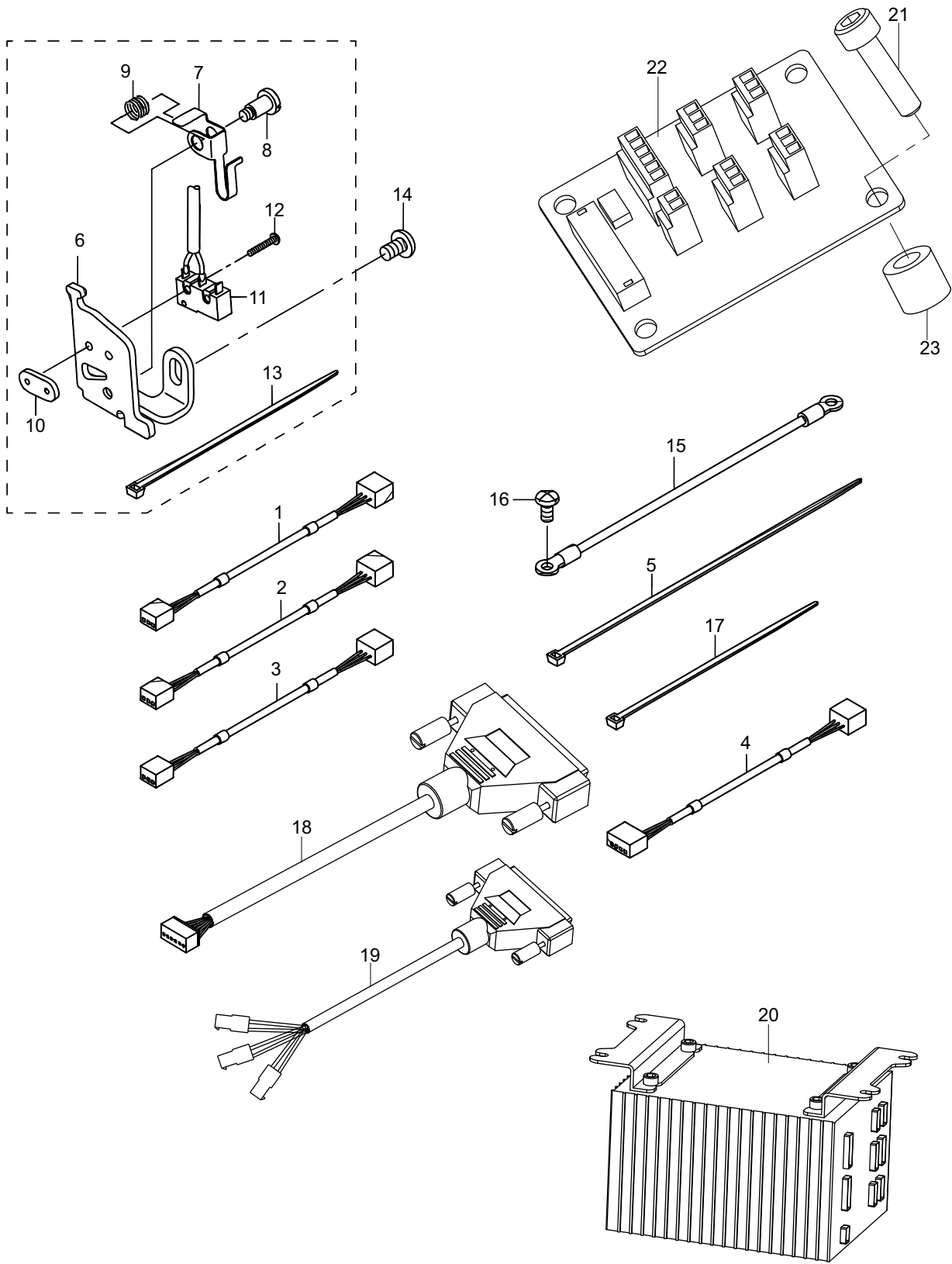


## 8、气动部件 PNEUMATIC COMPONENTS

序号 Ref.No.	件号 Part No.	名 称	Description	数量 QTY
1	10023253	快速接头 $\phi 4 \times R1/8$	HALF UNION $\Phi 4 \times R1/8$	2
2	10007696	电磁阀	5 PORT SOLENOID VALVE	1
3	10002148	气阀安装螺钉 M3 L=25	SCREW M3 L=25	2
4	10007583	气阀安装板	SOLENOID_VALVE_FITTING_BASE	1
5	10026825	螺钉	SCREW	4
6	10001548	消声器	MUFFLER	3
7	10003724	快速接头 $\phi 6 \times R1/8$	HALF UNION $\Phi 6 \times R1/8$	1
8	10008150	气管 $\phi 4 \times \phi 6$	TUBE	1
9	10003733	快速接头 $\phi 6 \times R1/4$	HALF UNION $\Phi 6 \times R1/4$	1
10	10001107	固定板	FILTER_INSTALLING_PLATE	1
11	10003883	螺钉 M5 L=10	SCREW M5 L=10	2
12	10007604	过滤减压阀	FILTER REGULATOR	1
13	10007534	手滑阀	HAND SLIDE VALVE	1
14	10003458	快速接头 $\phi 10 \times R1/4$	HALF UNION $\Phi 10 \times R1/4$	1
15	10024399	接头 $\phi 10 \times R1/4$	PLUG $\Phi 10 \times R1/4$	1
16	10008151	气管 $\phi 8 \times \phi 10$	TUBE	1
17	10007705	堵头	PLUG	1
18	10011802	螺钉	SCREW	1
19	10033246	销	PIN	1
20	10033245	气缸组件	AIR CYLINDER BASE	1
21	10008119	气管 $\phi 2.5 \times \phi 4$	TUBE	1
22	10008228	SN-3A夹头	CABLE CLIP	1
23	10011184	螺钉	SCREW	1
24	10013710	螺母	NUT	1
25	10011101	螺钉	SCREW	1
26	10008831	螺钉	SCREW	1
27	10010370	螺母	NUT	1
28	10033441	限位块	LIMITED BLOCK	1
29	10007620	带压力开关的压力表	AIR PRESSURE SWITCH	1

# 9.SENSOR COMPONENTS

## 自动控制部件

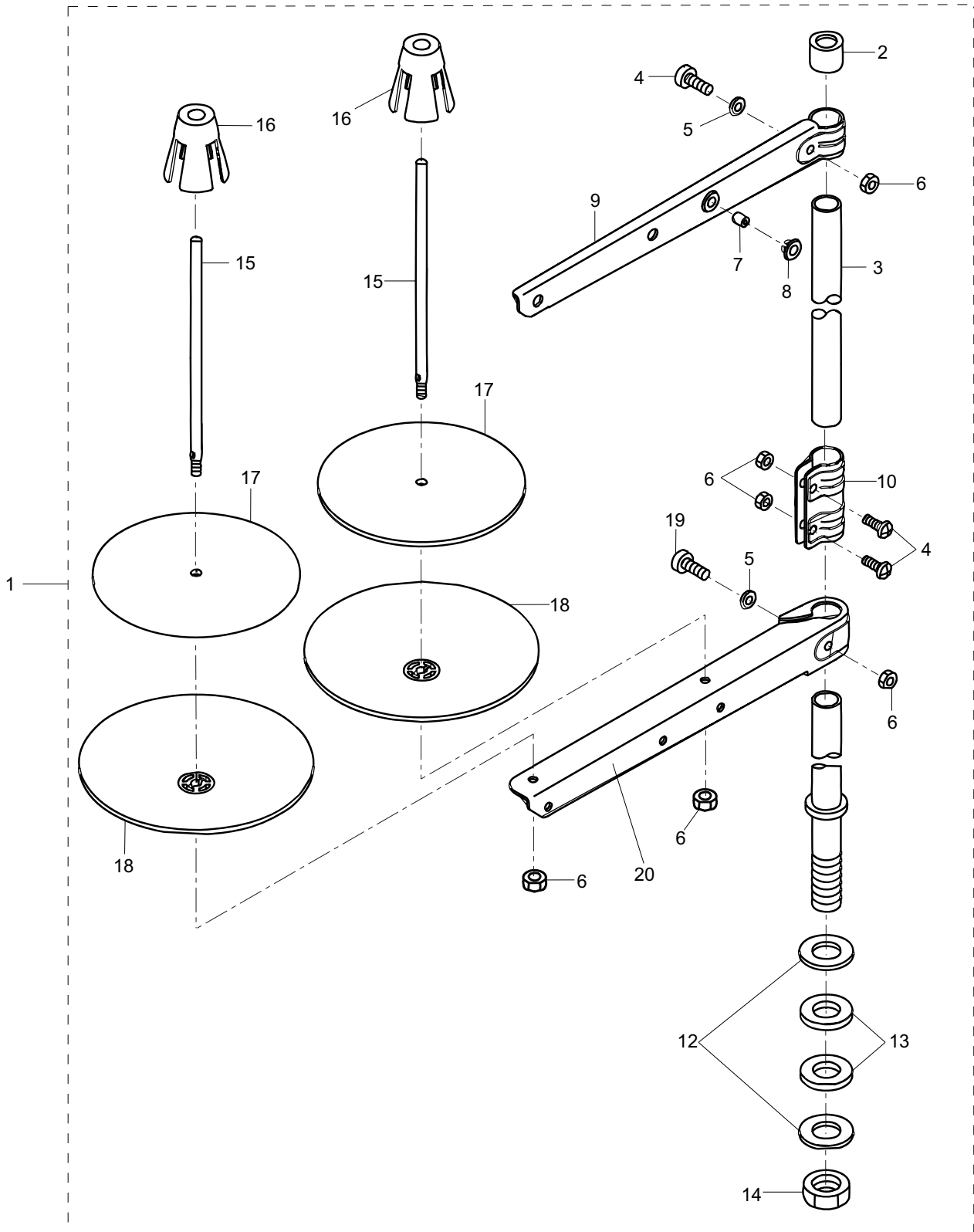


## 9、自动控制部件SENSOR COMPONENTS

序号 Ref.No.	件号 Part No.	名称	Description	数量 QTY
1	10024997	X向传感线	X SENSOR CABLE ASM	1
2	10024998	Y向传感线	Y SENSOR CABLE ASM	1
3	10024995	剪线传感线	PF SENSOR CABLE ASM	1
4	10024994	抬压传感线	TT SENSOR CABLE ASM	1
5	40000110	扎带	BRAND	1
6	10014249	安全开关固定架	SAFETY SW BASE	1
7	10014253	安全开关拨片	SAFETY SWITCH ARM	1
8	10012612	保险开关支架轴	SAFETY SW ARM SHAFT	1
9	10008875	弹簧	SPRING	1
10	10005877	螺母	SAFETY SWITCH NUT	1
11	10024996	安全开关小组件	SAFETY SW CABLE ASM	1
12	10003045	螺钉	SCREW	2
13	40000363	扎带	BRAND	1
14	10009456	螺钉	SCREW	1
15	10025000	接地线	HEAD GRIUND CABLE A ASM	1
16	10010668	螺钉	SCREW	2
17	40000363	扎带	BRAND	1
18	10027704	转接板信号线_触屏	THE TRANSFER PLANK SIGNAL OF LCD SCREEN	1
	10024993	转接板信号线_按键	THE TRANSFER PLANK SIGNAL OF KEY-PRESS	1
19	10036250	D型15P插头	D TYPE A PLUG	1
20	10040276	电控箱_触屏	THE CONTROL BOX OF LCD SCREEN	1
	10040397	闭环电控箱_触屏	THE CLOSE LOOP CONTROL BOX OF LCD SCREEN	1
	10040396	闭环电控箱_按键	THE CLOSE LOOP CONTROL BOX OF KEY-PRESS	1
21	10009103	螺钉	SCREW	4
22	10027703	机头转接板_触屏	THE TRANSFERS PLANK OF LCD SCREE	1
	10024991	机头转接板_按键	THE TRANSFERS PLANK OF KEY-PRESS	1
23	10024992	转接板支柱	THE TRANSFERS PLANK PILLAR	4

# 10.THREAD STAND COMPONENTS

## 线架部件



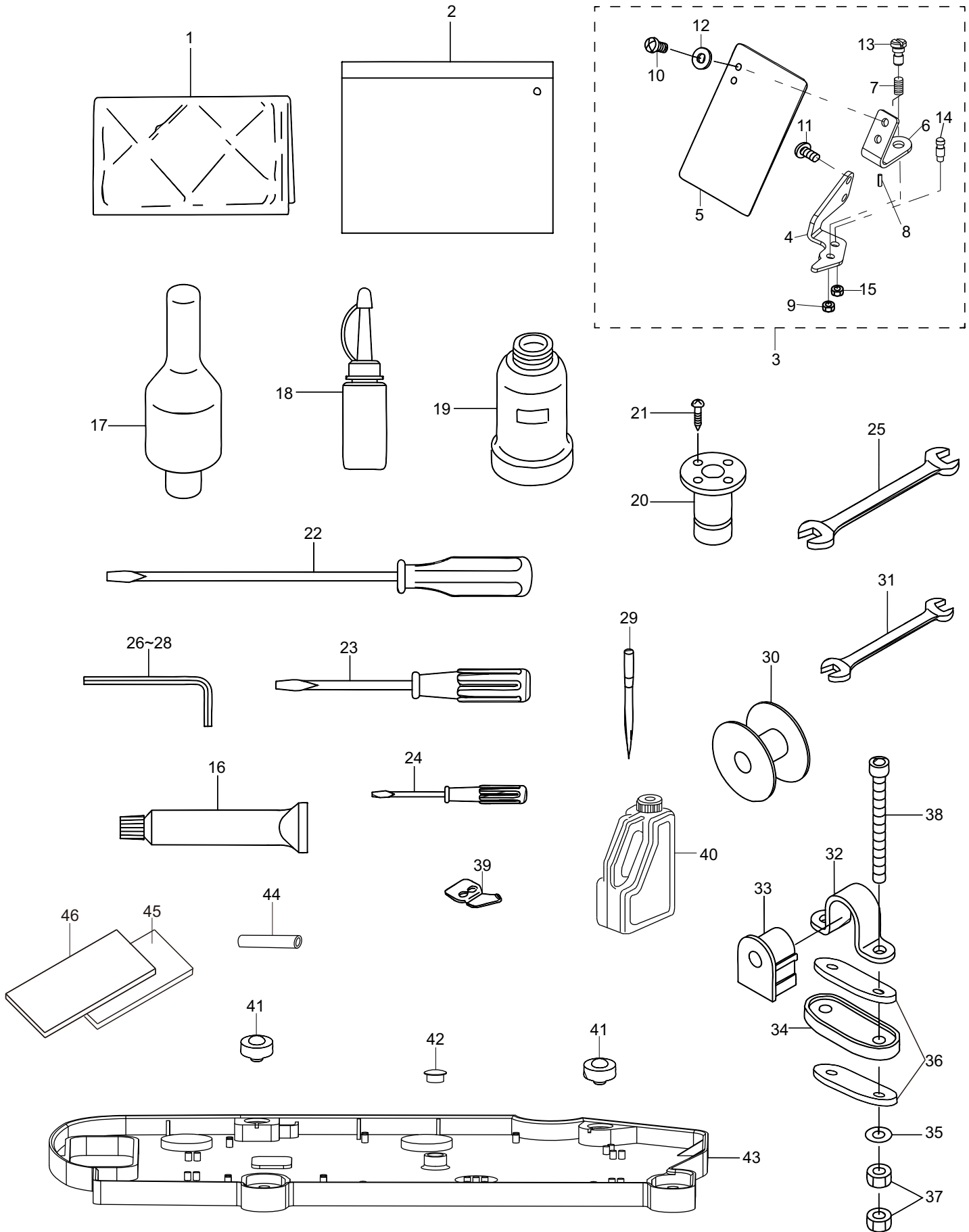


## 10、线架部件THREAD STAND COMPONENTS

序号 Ref.No.	件号 Part No.	名称	Description	数量 QTY
1	10007130	二线架组件	THREAD STAND ASM	1
2	10004282	撑管套	COLUMN CAP	1
3	10004293	线架上撑管	COLUMN PIPE	1
4	10003301	上过线架螺钉	SCREW	2
5	10003022	上过线架垫圈	WASHER	2
6	10002953	上过线架螺母	NUT	5
7	10004289	过线管	THREAD GUIDE PIPE	2
8	10004285	过线管套	THREAD GUIDE BUSHING	2
9	10004298	上过线架	THREAD HANGER	1
10	10004286	撑管夹	COLUMN PIPE CONNECTOR	1
11	10004291	线架下撑管	COLUMN PIPE	1
12	10004295	线架下撑管垫圈	WASHER	2
13	10004290	垫圈	WASHER	2
14	10002985	下过线架螺母	NUT	1
15	10004288	线轴	SPOOL PIN	2
16	10004287	线盘塑料压块	SPOOL CUSHION	2
17	10004281	线盘软垫	SOFT CUSHION OF THREAD PLARE	2
18	10004299	线盘	THREAD PLATE	2
19	10003312	下过线架螺钉	SCREW	1
20	10004292	下过线架	THREAD HANGER	1

# 11.ACCESSORIES PART COMPONENTS

附件



## 11、附件ACCESSORIE PART COMPONENTS

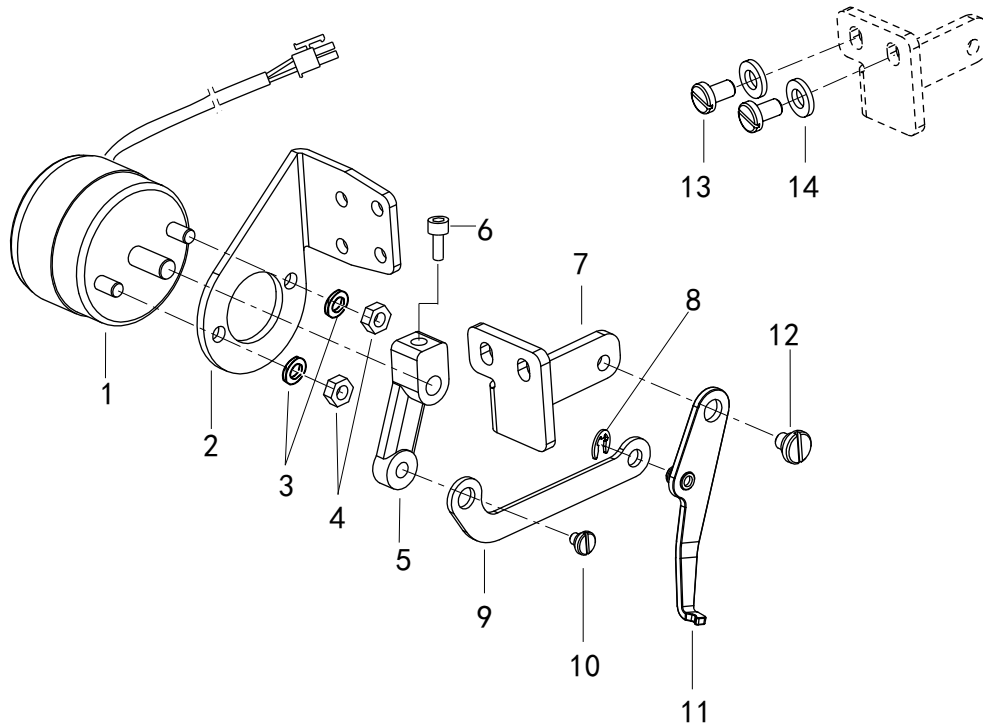
序号 Ref.No.	件号 Part No.	名称	Description	数量 QTY
1	10004724	机头罩	VINYL COVER	1
2	10004492	机头套	ACCESSORY BOX	1
3	20004358	眼睛防护罩组件	SAFETY PLATE ASM.	1
4	10011632	安全板座	SAFETY PLATE INSTALLING BASE	1
5	10011636	安全板	SAFETY PLATE	1
6	10004725	安全板架	SAFETY PLATE INSTALLING PLATE	1
7	10011678	弹簧	SPRING	1
8	10002880	销	PIN	1
9	10004507	螺母	NUT	1
10	10011570	螺钉	SCREW	2
11	10011570	螺钉	SCREW	2
12	10011680	垫圈	WASHER	2
13	10011677	螺钉轴	HINGE SCREW	1
14	10011633	销	PIN	1
15	10011682	螺母	NUT	1
16	20009052	油脂软膏	GREASE	1
17	10011749	机头支承杆	HEAD SUPPORT BAR	1
18	10005356	油壶	OILER	1
19	10011681	油杯	OIL CAN	1
20	10011683	油杯座	OIL MANAGEMENT	1
21	10003157	螺钉	SCREW	4
22	10010994	大螺丝刀	SCREW DRIVER LARGE	1
23	10010995	中螺丝刀	SCREW DRIVER MIDDLE	1
24	10013185	小螺丝刀	SCREW DRIVER SMALL	1
25	10003368	呆板手	WRENCH	1
26	10009685	内六角扳手3	HEXAGONAL WRENCH SMALL	1
27	10009687	内六角扳手4	HEXAGONAL WRENCH LARGE	1
28	10009689	内六角扳手5	HEXAGONAL SPANNER	1
29	10023286	机针	NEEDLE	1
30	10004592	梭芯	BOBBIN	1
31	10003369	呆板手	WRENCH	1
32	10011160	支撑固定架	BED HINGE	2
33	10011137	机头胶垫	HINGE RUBBER	2
34	10014251	机对胶垫底座	BED HINGE RUBBER	2
35	10003076	垫圈	WASHER	4
36	10011747	垫片	WASHER	4
37	10003084	螺母	NUT	4
38	10011147	螺栓	SCREW	4
39	10011501	定刀	FIXING KNIFE	1
40	10004455	油箱	OIL BOX	1
41	10013102	机头座垫	SUPPORT RUBBER	2
42	10011136	橡胶塞	RUBBER PLUG	1
43	10031322	油盘	OIL TRAY	1
44	10030550	提升架套	SET UP SHELF SLEEVE	1
45	10040628	使用说明书	INSTRUCTIONS	1
46	10040630	零件手册	PARTS LIST	1

## 12. WIPER MECHANISM COMPONENTS

扫线部件

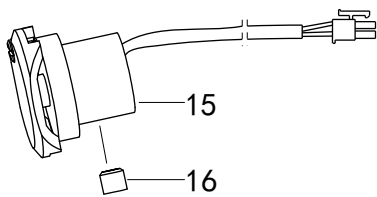
1900DSS-0604P SPECIAL PARTS

1900DSS-0604P 专用件



1900DSS-0604P-J 专用件

1900DSS-0604P-J SPECIAL PARTS



## 12、扫线部件 WIPER MECHANISM COMPONENTS

序号 Ref.No.	件号 Part No.	名 称	Description	数量 QTY
1	10013210	扫线电磁铁	SOLENOID FOR WIPER ASM.	1
2	10030553	扫线电磁铁固定板	SOLENOID FITTING PLATE	1
3	10004670	垫圈	THRUST COLLAR	1
4	10002076	螺母	NUT	2
5	10011715	扫线曲柄	WIPER ARM	1
6	10013616	螺钉	SCREW	1
7	10030558	扫线固定架	FIXED SHELVES	1
8	10009653	卡簧	RETAINING RING	1
9	10030554	扫线连杆	WIPER LINK	1
10	10011716	螺钉	SCREW	1
11	10030555	扫线杆组件	WIPER ASM	1
12	10030559	螺钉	SCREW	1
13	10010668	螺钉	SCREW	2
14	10010741	垫圈	WASHER	2
15	10040925	小电子夹线器	SMALL THREAD TENSION ASM.	1
16	10013590	螺钉	SCREW	1