

500 自动运模车

AUTOMATIC MOLD SEWING MACHINE

零件手册

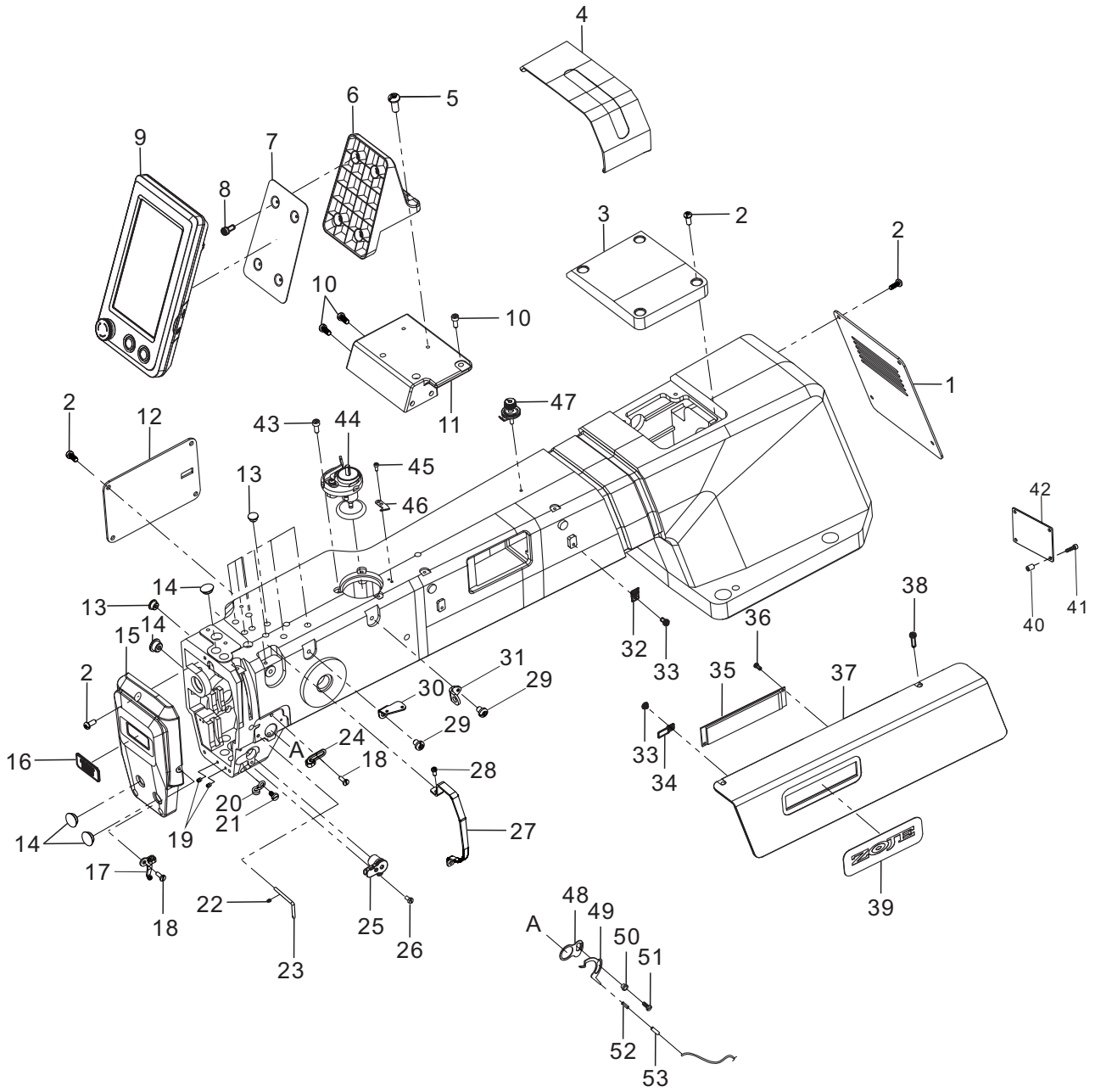
**PARTS BOOK**

# 目 录

## CONTENTS

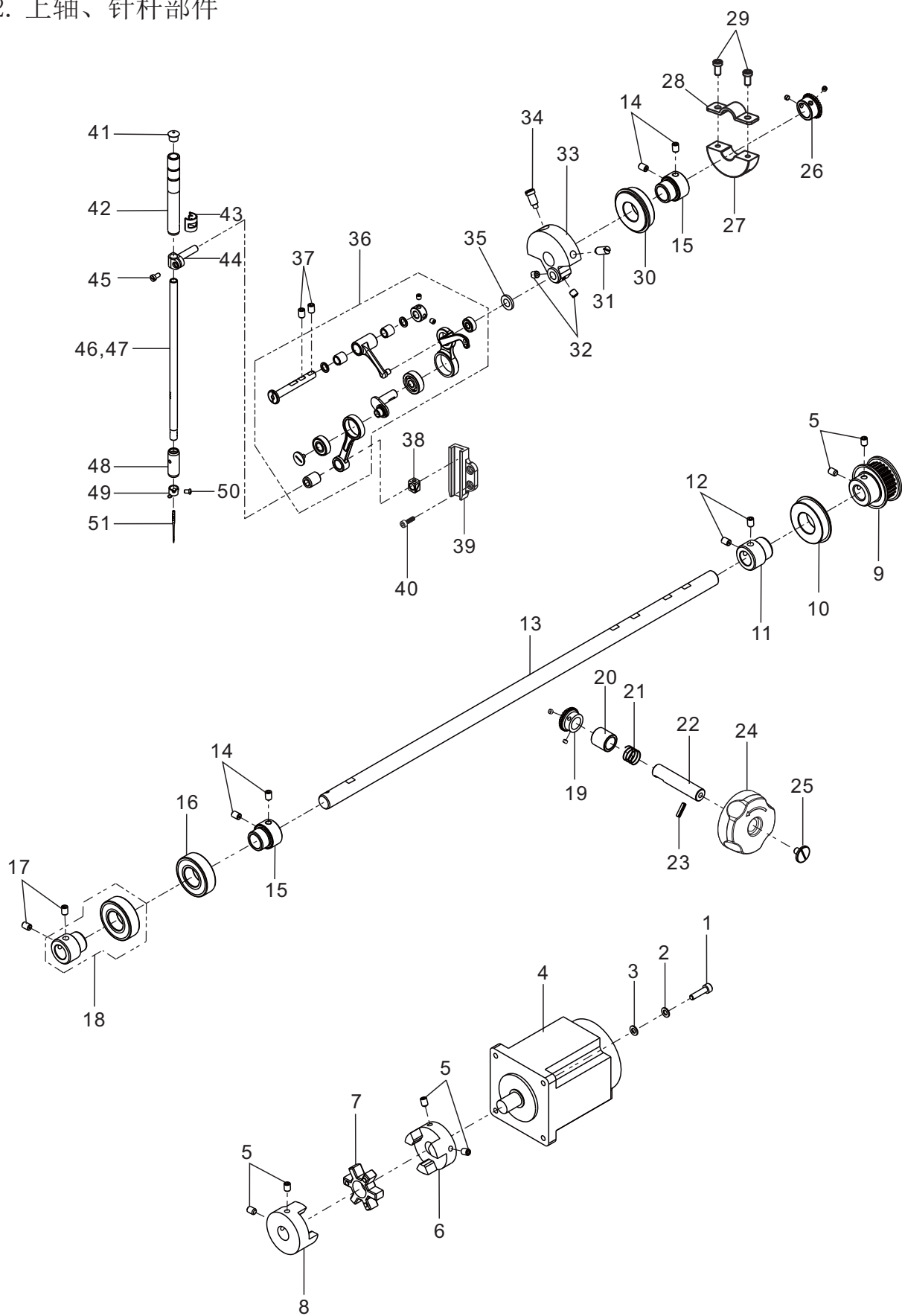
1. 机头、外装部件.....	1
FRAME & MISCELLANEOUS COVER COMPONENTS	
2. 上轴、针杆部件.....	3
MAIN SHAFT & NEEDLE BAR COMPONENTS	
3. 中压脚部件.....	5
PRESSER MECHANISM & PRESSER VARIABLE COMPONENTS (1)	
4. 辅助压脚部件.....	7
AUXILIARY PRESSER MECHANISM & MARKER PEN COMPONENTS	
5. 松线部件.....	9
TENSION RELEASE & THREAD TENSION COMPONENTS	
6. 下轴剪线部件.....	11
LOWER SHAFT TRIM THREAD COMPONENTS	
7. 润滑部件.....	14
LUBRICATION COMPONENTS	
8. X-Y送料部件(1).....	16
FEEDING COMPONENTS (1)	
9. X-Y送料部件(2).....	18
FEEDING COMPONENTS (2)	
10. X-Y送料部件(3).....	20
FEEDING COMPONENTS (3)	
11. 气动部件.....	22
PNEUMATIC COMPONENTS	
12. 大缝台部件.....	24
BIG SEWING BED COMPONENTS	
13. 机架部件.....	26
MACHINE STAND COMPONENTS	
14. 附件部件.....	28
ACCESSORIES COMPONENTS	
15. 激光部件(1).....	30
WIPER MECHANISM COMPONENTS (1)	
16. 激光部件(2).....	33
WIPER MECHANISM COMPONENTS (2)	

# 1. 机头、外装部件



序号 NO.	件号 Part No.	名称	DESCRIPTION	数量 Qty
1	20023891	500模板机后盖板	BACK COVER	1
2	10008776	螺钉 M5 L=12	SCREW M5 L=12	15
3	20023890	500模板机上盖	TOP COVER REAR	1
4	10062630	500模板机装饰板	PLATE	1
5	10003164	螺钉 M5 L=16	SCREW M5 L=12	2
6	10062490	操作面板座壳		1
7	10062548	吸屏板		1
8	10003034	螺钉 M3 L=5	SCREW M3 L=5	4
9	10061932	操作头		1
10	10003162	螺钉 M5 L=12	SCREW M5 L=12	3
11	10062496	操作面板座		1
12	20023894	侧盖板		1
13	10000090	摆动架销油塞	RUBBER PLUG	9
14	10011099	橡胶塞	RUBBER PLUG	5
15	20023895	运模机面板	FACE COVER	1
16	10003162	模板机装饰板	FACE PLATE	1
17	10055858	750左线钩	ARM THREAD GUIDE LEFT	1
18	10009691	螺钉 SM9/64"×40 L=10	SCREW SM9/64"×40 L=10	2
19	10000563	螺钉 M4 L=5	SCREW M4 L=5	2
20	10011139	下线钩	ARM THREAD GUIDE DOWN	1
21	10010668	螺钉 SM11/64"×40	SCREW SM11/64"×40	1
22	10001513	螺钉 M3 L=6	SCREW M3 L=6	1
23	10053976	缓线勾	ARM THREAD GUIDE	1
24	10008940	右线钩	ARM THREAD GUIDE RIGHT	1
25	10063515	电子夹线器	ELECTRONIC THREAD CLAMP DEVICE	1
26	10007068	螺钉 M4 L=10	SCREW M4 L=10	1
27	20023540	挑线杆防护罩	THREAD TAKE-UP LEVER COVER	1
28	10008934	螺钉 SM3/16"×28	SCREW SM3/16"×28	1
29	10011158	螺钉 SM15/64"×8	SCREW SM15/64"×8	2
30	10011200	上过线板	ARM THREAD GUIDE UP	1
31	10011145	单眼过线板	SINGLE-HOLE THREAD EYELET GUIDE	1
32	10063992	装饰板压块		1
33	10005050	螺钉 M4 L=4	SCREW M4 L=4	4
34	10063991	装饰板压板		1
35	10065185	发光LOGO电路板组件		1
36	10062983	螺钉	SCREW	2
37	10062521	正面装饰板		1
38	10002959		SCREW M4 L=16	2
39	10063990	发光LOGO		1
40	10024992	转接板支柱	SUPPORT PILLAR	4
41	10009103	螺钉 M4×6	SCREW M4 L=16	4
42		机头转接板	SIGNAL SWITCH BOARD	1
43	10004380	螺钉 SM3/16"×32	SCREW SM3/16"×32	3
44	10029803	绕线器	BOBBIN WINDER UNIT	1
45	10050423	螺钉 SM9/64"×40	SCREW SM9/64"×40	2
46	10011149	绕线切刀	THREAD CUTTER	1
47	10065181	绕线夹线器组件	BOBBIN THREAD TENSION ASM	1
48	10059802	断线传感器绝缘板	GUIDE PLATE	1
49	10059803	断线检测传感片	THB SENSOR CABLE ASM	1
50	10000752	传感片外绝缘片	BUSHING	1
51	10009691	螺钉 SM9/64"×40	SCREW SM9/64"×40	1
52	10052997	直型端子		1
53	10062106	直型端子护套		1

## 2. 上轴、针杆部件

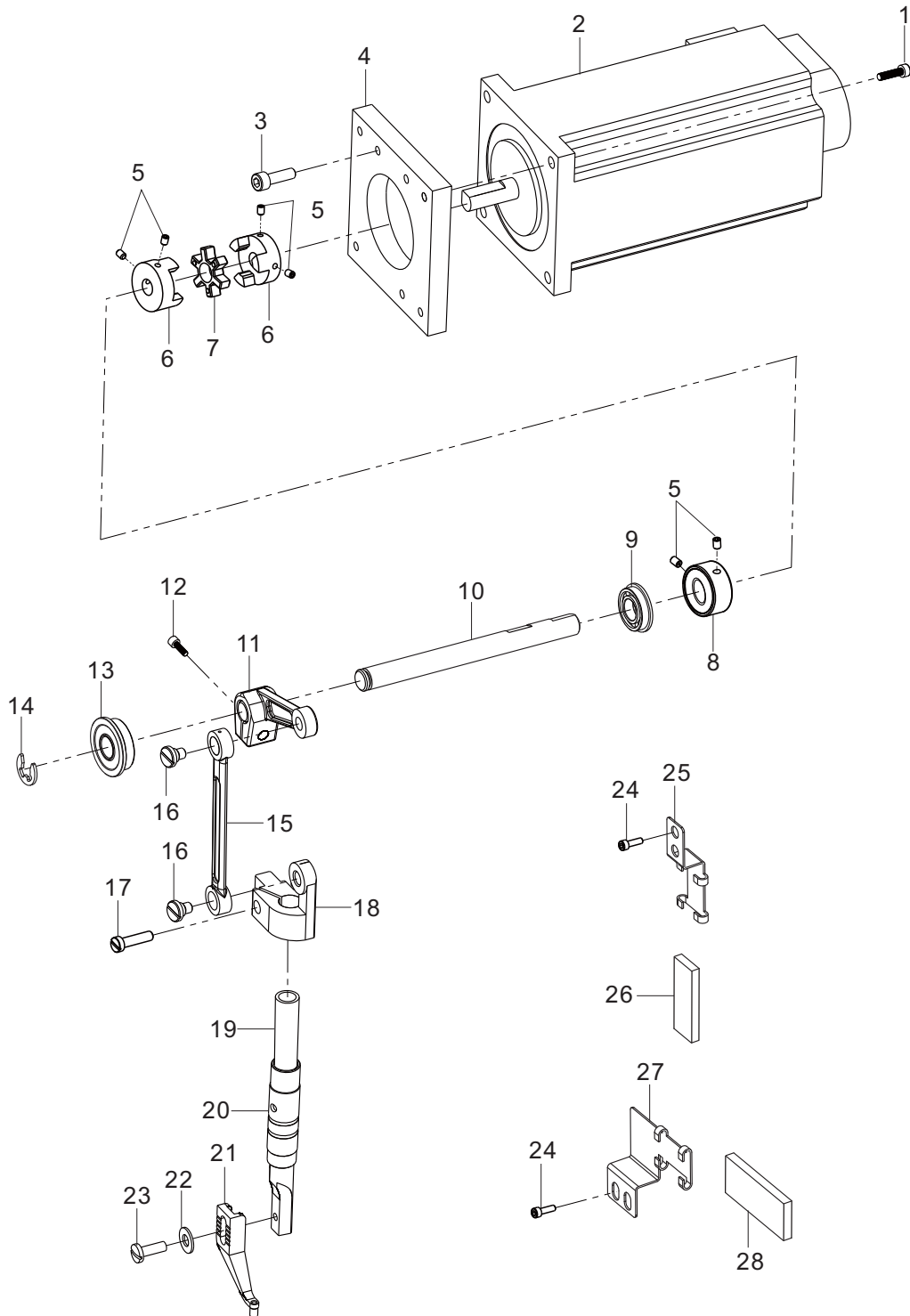


## 上轴、针杆部件

## MAIN SHAFT &amp; NEEDLE BAR COMPONENTS

序号 NO.	件号 Part No.	名称	DESCRIPTION	数量 Qty
1	10003141	螺钉 M5 L=20	SCREW M5 L=20	4
2	10005537	弹簧垫圈 5	SPRING WASHER 5	4
3	10012318	垫圈 5	WASHER 5	4
4	10061565	主轴电机	MAIN SHAFT SERVO MOTOR	1
5	10009187	螺钉 M6 L=8	SCREW M6 L=8	6
6	10012615	联轴器(1)	COUPLING (1)	1
7	10011227	联轴器橡胶块	COUPLING RUBBER	1
8	10012613	联轴器(2)	COUPLING (2)	1
9	10049904	上轴同步带轮	UPPER SHAFT TENSION PULLEY ASM	1
10	10029408	轴承 6022VVNR	BEARING 6022VVNR	1
11	10014362	轴承衬套	BEARING_BUSH	1
12	10010678	螺钉 SM15/64"×28 L=8	SCREW SM15/64"×28 L=8	2
13	10062642	500模板机上轴	MAIN SHAFT	1
14	10022863	螺钉 M6×0.75	HANDWHEEL SETSCREW M6×0.75	4
15	10042095	轴承衬套	BEARING_BUSH	2
16	10050517	轴承 6004ZZ	BEARING 6004ZZ	1
17	10009187	螺钉 M6 L=8	SCREW M6 L=8	2
18	10051864	轴承 6004	BEARING 6004	1
19	10021312	齿轮 A	GEAR_A	1
20	10027277	轴套	NEEDLE FEED SHAFT METAL	1
21	10011242	弹簧	SPRING	1
22	10027278	手轮轴	HANDWHEEL SHAFT	1
23	10006073	销	SPRING PIN	1
24	10062644	手轮	HANDWHEEL	1
25	10011225	螺钉 M6	HANDWHEEL SETSCREW M6	1
26	10027407	齿轮 B	GEAR_B	1
27	10062200	平衡块		1
28	10014332	上轴平衡轮固定板		1
29	10003162	螺钉 M5 L=12	SCREW M5 L=12	2
30	10050517	轴承 6004ZZ	BEARING 6004ZZ	1
31	10010082	螺钉 SM9/32"×28 L=16	SCREW SM9/32"×28 L=16	1
32	10005020	螺钉 SM1/4"×40 L=6	SCREW SM1/4"×40 L=6	2
33	10012607	针杆曲柄	COUNTER WEIGHT	1
34	10010545	螺钉 SM9/32"×28 L=15	SCREW SM9/32"×28 L=15	1
35	10011622	垫圈 8×5×0.7	WASHER 8×5×0.7	1
36	10038440	挑线杆组件	THREAD_TAKE_UP_COMPL	1
37	10009109	螺钉 M4 L=6	SCREW M4 L=6	2
38	10011194	针杆连接轴滑块	SLIDE BLOCK	1
39	10057568	针杆滑块槽	NEEDLE BAR METAL GREASE COVER	1
40	10048800	螺钉 M4 L=10	SCREW M4 L=10	4
41	10010587	橡胶塞	RUBBER PLUG	1
42	10049875	针杆上轴套	NEEDLE_BAR_METAL	1
43	10031678	挡油片	NEEDLE_BAR_METAL_GREASE_COVER	1
44	10038438	针杆连接柱	NEEDLE BAR CONNECTING	1
45	10030286	螺钉	SCREW	1
46	10040641	针杆	NEEDLE BAR	1
47	10040642	针杆	NEEDLE BAR	1
48	10046043	针杆下轴套	NEEDLE_BAR_LOWER_METAL	1
49	10000237	针杆线钩	THREAD GUIDE	1
50	10041770	螺钉 SM1/8"×4 L=4.5	SCREW SM1/8"×4 L=4.5	1
51	10053820	机针 DP×6 10#	NEEDLE DP×6 10#	1

### 3. 中压脚部件



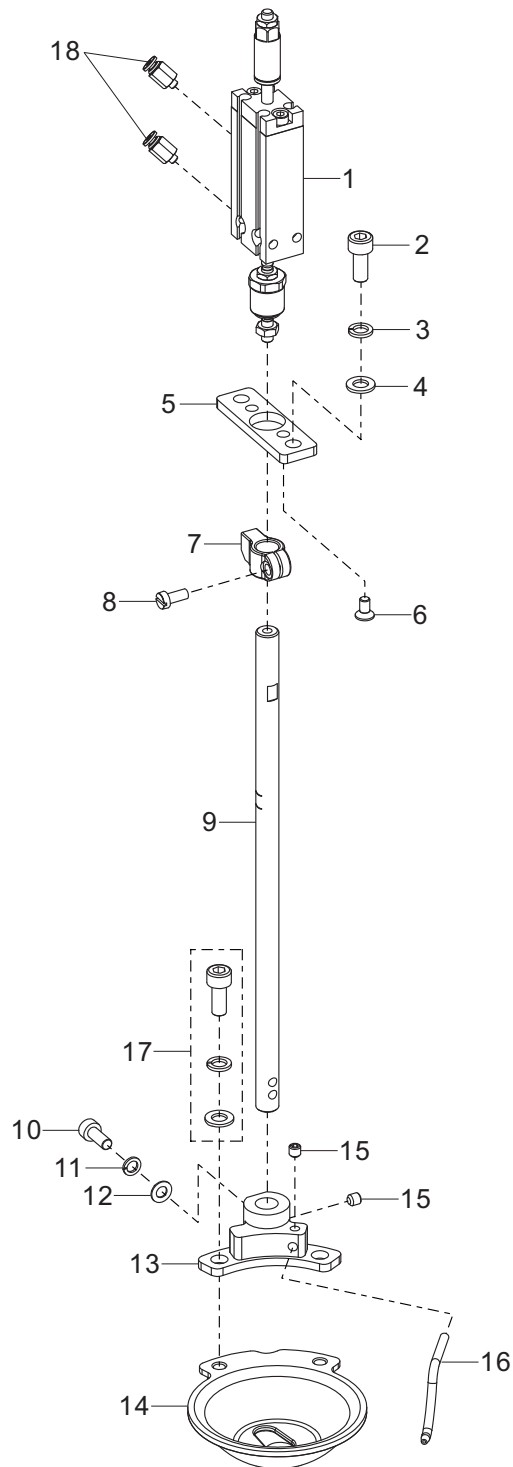
## 中压脚部件

## LOWER SHAFT TRIM THREAD COMPONENTS

序号 NO.	件号 Part No.	名称	DESCRIPTION	数量 Qty
1	10000863	螺钉 M4 L=12	SCREW M4 L=12	4
2	10061929	中压脚步进电机	STEPPING MOTOR	1
3	10010958	螺钉 M5 L=14	SCREW M5 L=14	3
4	10062696	中压脚电机安装板	MOTOR BRACKET	1
5	10012014	螺钉 M5 L=4	SCREW M5 L=4	6
6	10027317	联轴器	COUPLING	2
7	10056286	联轴器橡胶圈	COUPLING RUBBER RING	1
8	10027320	挡圈	RETAINING RING	1
9	10026126	轴承 F688ZZ	BEARING F688ZZ	1
10	10057955	压脚驱动轴	DRIVE SHAFT	1
11	10057573	曲柄	CRANK	1
12	10003165	螺钉 M5 L=10	SCREW M5 L=10	1
13	10009776	轴承 F698ZZ	BEARING F698ZZ	1
14	10009654	挡圈 6	RING 6	1
15	10058993	连杆	CONNECTING ROD	1
16	10057547	轴位螺钉	AXIAL SCREW	2
17	10000380	螺钉 SM11/64"×40	SCREW SM11/64"×40	1
18	10057541	压杆导架	PRESSURE BAR GUIDE	1
19	10057542	压杆	PRESS ROD	1
20	10057548	压杆下套	PRESS ROD	1
21	10057415	中压脚	MEDIUM PRESSURE FOOT	1
22	10011680	垫圈 4.6×9.7×0.8	WASHER 4.6×9.7×0.8	1
23	10010650	螺钉 SM9/64"×40	SCREW SM9/64"×40	1
24	10001513	螺钉组件	SCREW M3 L=6	4
25	10058963	油毡安装板	MOUNTING PLATE	1
26	10058965	油毡	LINOLEUM	1
27	10058964	油毡安装板	MOUNTING PLATE	1
28	10058966	油毡1	LINOLEUM	1



#### 4. 辅助压脚部件

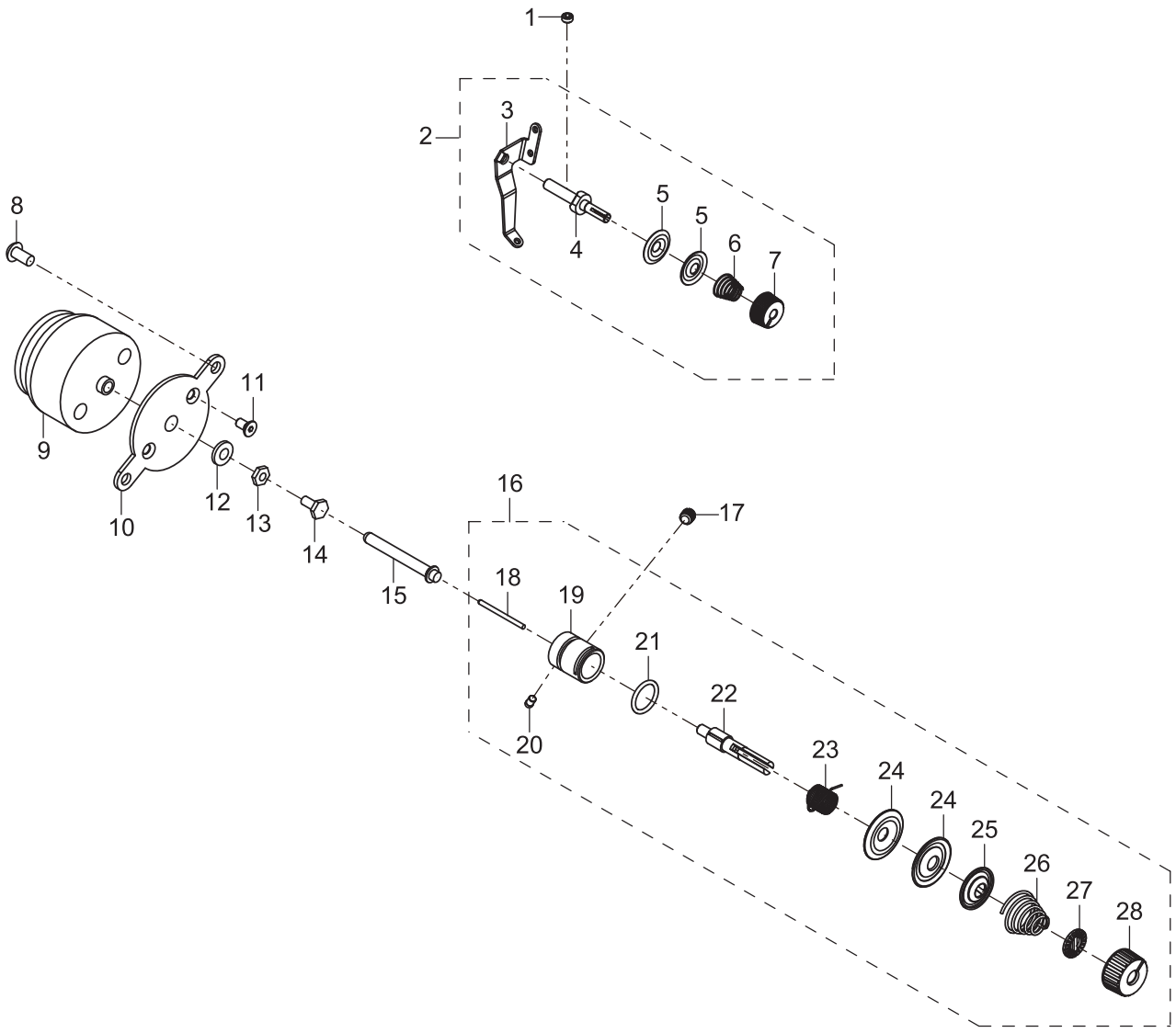


## 辅助压脚部件

## AUXILIARY PRESSER MECHANISM COMPONENTS

序号 NO.	件号 Part No.	名称	DESCRIPTION	数量 Qty
1	10062535	压脚气缸	CYLINDER	1
2	10013883	螺钉 M5 L=12	SCREW M5 L=12	2
3	10005537	垫圈 5	SPRING WASHER 5	2
4	10012318	垫圈 5	WASHER 5	2
5	10064027	辅助压脚气缸安装板2	CYLINDER PLATE 2	1
6	10062759	螺钉 M3 L=8	SCREW M3 L=8	2
7	10061979	辅助压杆导架	PRESSURE BAR GUIDE	1
8	10030286	螺钉 SM9/64"×40	SCREW SM9/64"×40	1
9	10061978	辅助压杆	PRESS ROD	1
10	10064268	螺钉 M4 L=10	SCREW M4 L=10	1
11	10002991	弹簧垫圈 4	SPRING WASHER 4	1
12	10002949	垫圈 4	WASHER 4	1
13	10063521	辅助压脚转接板_吹气	CYLINDER PLATE	1
14	10062788	辅助压脚	AUXILIARY PRESSER FOOT	1
15	10002862	螺钉 M4 L=10	SCREW M4 L=10	2
16	10063522	面线吹气管		1
17	10003165	螺钉 M5 L=12	SCREW M5 L=12	2
18	10061374	接头_PC04-M5C	TIE-IN	2

# 5. 松线部件

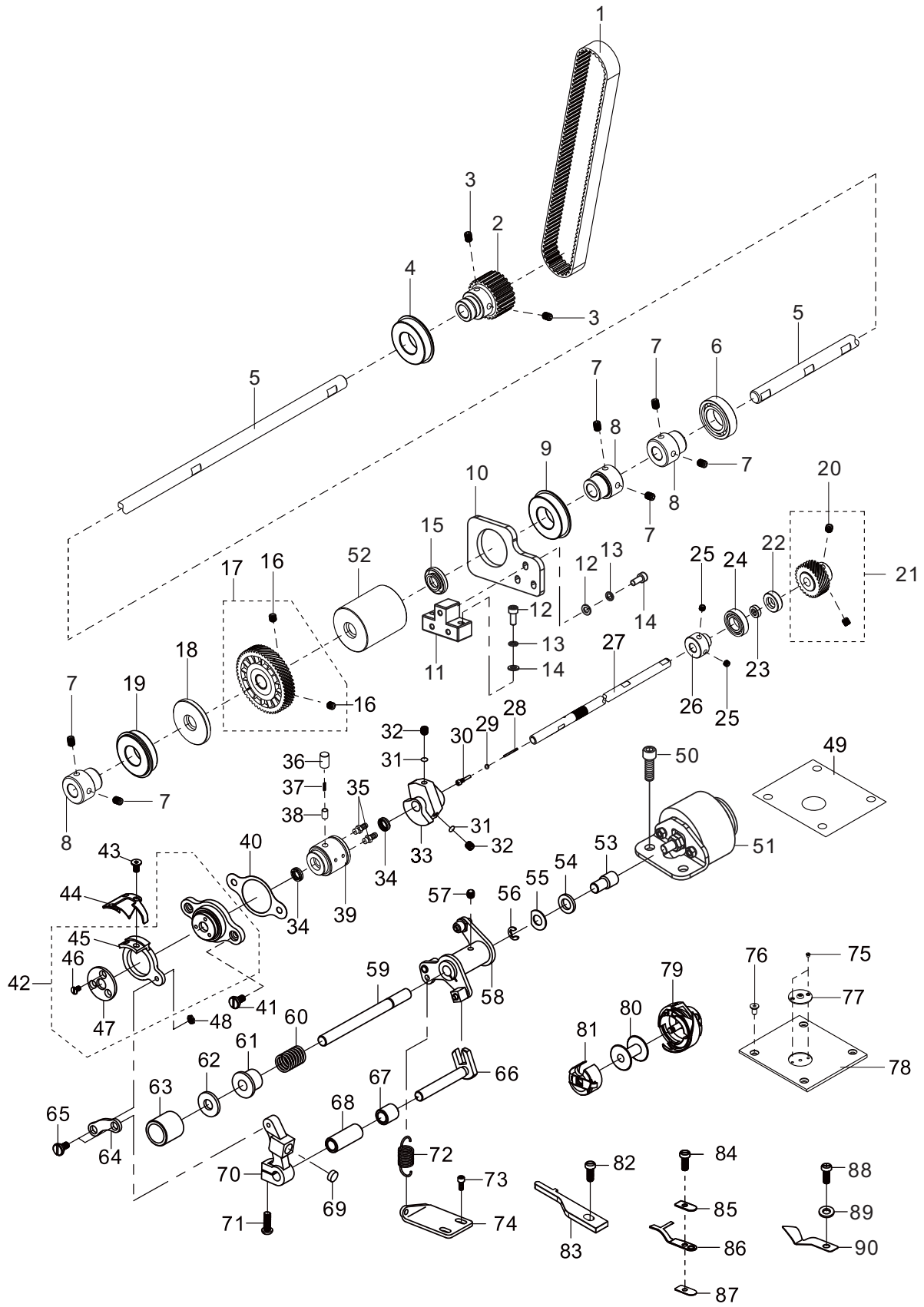


## 松线部件

## TENSION RELEASE &amp; THREAD TENSION COMPONENTS

序号 NO.	件号 Part No.	名称	DESCRIPTION	数量 Qty
1	10041529	螺钉 SM3/16"×28 L=6	SCREW SM3/16"×28 L=6	1
2	10064310	上夹线器部件	THREAD_TENSION_1_ASM	1
3	10012589	上过线板	THREAD_TENSION_1_DISK	1
4	10005841	螺钉 SM11/64"×40	SCREW SM11/64"×40	1
5	10005839	上夹线板	THREAD_TENSION_2_DISK	2
6	10005838	弹簧	SPRING	1
7	10051458	上夹线器螺母 SM11/64"×40	SCREW SM11/64"×40	1
8	10007096	螺钉 M5 L=10	SCREW M5 L=10	2
9	10057974	松线电磁铁	SOLENOID ASM	1
10	10057933	夹线电磁铁安装板	TENSION_RELEASE_CRANK_FRAME	1
11	10051846	螺钉 M4 L=8	SCREW M4 L=8	2
12	10059819	垫圈 7×13×2	WASHER 7×13×2	1
13	10002076	螺母 M4	NUT M4	1
14	10063649	螺钉 M4 L=30	SCREW M4 L=30	1
15	10059808	松线辅钉	TENSION_RELEASE_PIN	1
16	10064246	夹线器组件	THREAD_TENSION_2_ASM	1
17	10010678	螺钉 SM15/64"×28 L=8	SCREW SM15/64"×28 L=8	1
18	10004184	松线钉	TENSION_RELEASE_PIN	1
19	10039524	挑线簧调节座	THREAD_TENSION_POST_BASE	1
20	10004200	螺钉 SM9/64"×40 L=5.5	SCREW SM9/64"×40 L=5.5	1
21	10004183	O形圈 13×1.5	O TYPE RING 13×1.5	1
22	10004177	螺钉 SM1/4"×40	螺钉 SM1/4"×40	1
23	10004201	弹簧	SPRING	1
24	10004180	夹线板	THREAD_TENSION_DISK	2
25	10004179	松线板	THREAD_TENSION_DISK_PRESSER	1
26	10004176	弹簧	SPRING	1
27	10004199	夹线制动板	DISK_STOPPER	1
28	10059715	松线器螺母	THREAD_TENSION_NUT	1

## 6. 下轴及剪线部件



## 下轴及剪线部件

## PRESSER MECHANISM &amp; PRESSER VARIABLE COMPONENTS

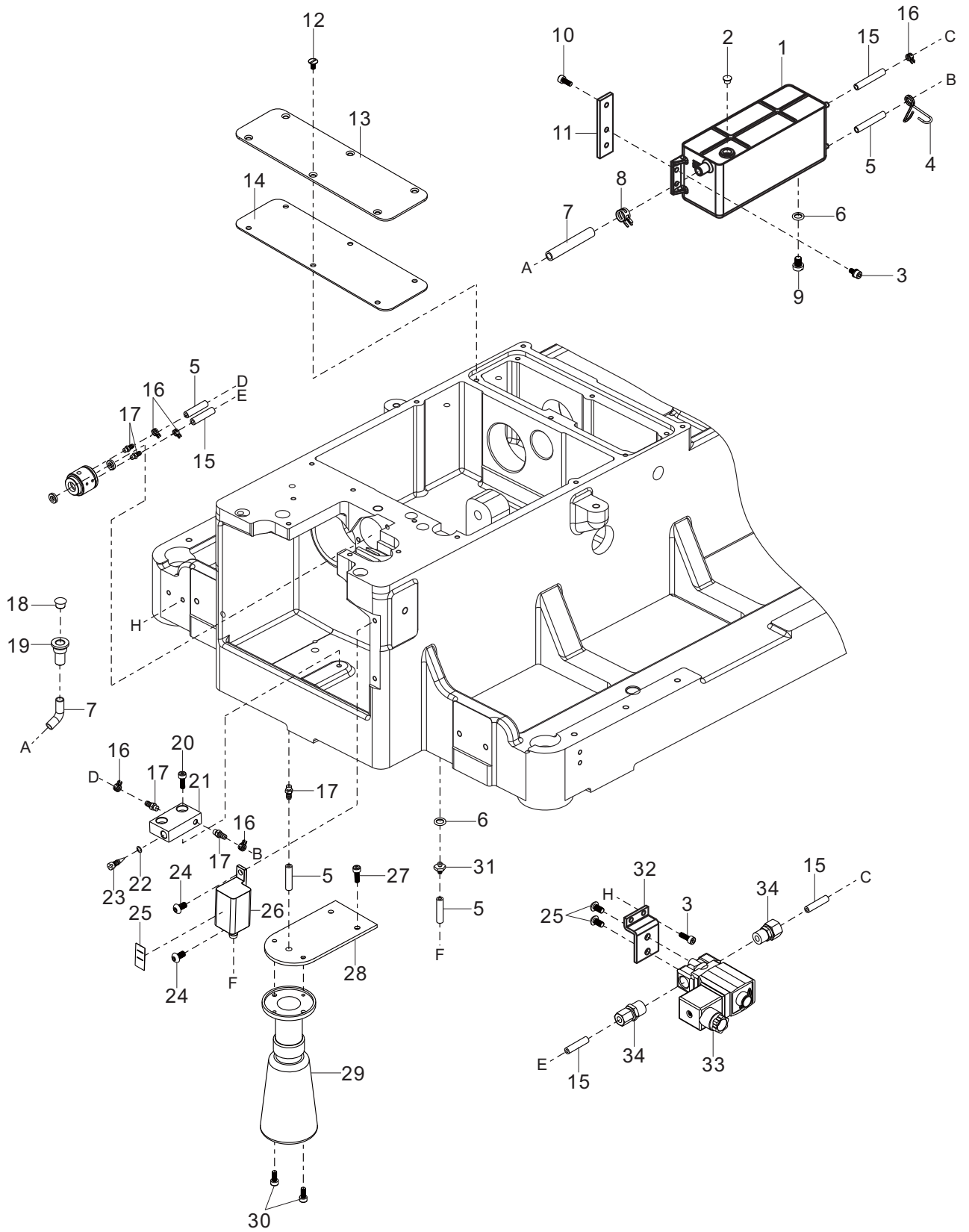
序号 NO.	件号 Part No.	名称	DESCRIPTION	数量 Qty
1	10037786	上轴同步带	TIMING BELT	1
	10037787	上轴同步带	TIMING BELT	1
	10037788	上轴同步带	TIMING BELT	1
	10052388	上轴同步带	TIMING BELT	1
	10054280	上轴同步带	TIMING BELT	1
2	10051566	抬牙轴同步齿形带轮	LOWER SPROCKET	1
3	10009187	M6×8 螺钉	SCREW M6 L=8	2
4	10025881	6204NR-2RS_BOM轴承	BEARING 6204NR-2RS	1
5	10062523	带轮轴	SHAFT	1
6	10064993	6204ZZ轴承	BEARING 6204ZZ	1
7	10010678	SM15/64"×2 8螺钉	SCREW SM15/64"×2 8	6
8	10037694	轴承衬套	BEARING SUPPORT	3
9	10037722	轴承6904ZZNR	BEARING 6904ZZNR	1
10	10062727	减震安装板	BEARING SUPPORT	1
11	10062728	减震安装座	BEARING SUPPORT	1
12	10010958	螺钉 M5 L=14	SCREW M4 L=14	5
13	10005537	弹簧垫圈 5	SPRING WASHER 4	5
14	10012318	垫圈 5	WASHER 4	5
15	10011204	油封	OIL SEAL	1
16	10008862	SM1/4"×40 螺钉	SCREW SM1/4"×40	2
17	10023911	齿轮	GEAR	1
18	10012538	油封	OIL SEAL	1
19	10025882	轴承 6004NR-2RS_BOM	BEARING 6004NR-2RS	1
20	10008862	SM1/4"×40 螺钉	SCREW SM1/4"×40	2
21	10023912	齿轮	GEAR	1
22	10012678	轴套	BUSHING	1
23	10012423	油封	OIL SEAL	1
24	10026221	6901-ZZ_BOM轴承	BEARING 6901-ZZ	1
25	10012014	M5×4 螺钉	SCREW M5 L=4	2
26	10049842	下轴后轴承挡圈	RING	1
27	10037697	下轴	SHAFT	1
28	10010063	油芯	OIL WICK	1
29	10000457	旋梭限油螺钉O形圈	O-RING	1
30	10010064	SM3/16"×32 螺钉	SCREW SM3/16"×32	1
31	10023739	剪线凸轮垫	THREAD TRIMMER CAM WASHER	2
32	10013465	螺钉 SM1/4"×40	SCREW SM1/4"×40	2
33	10010736	剪线凸轮	THREAD TRIMMER CAM	1
34	10013029	油封	OIL SEAL	2
35	10008779	油管接头	JOINT	2
36	10054194	螺钉 M8×	SCREW M8×	1
37	10014386	柱塞簧	PLUNGER SPRING	1
38	10012609	柱塞	PLUNGER	1
39	10054060	900下轴前套	FRONT BUSHING	1
40	10051727	750动刀架座垫片	KNIFE BRACKET MOUNTING BASE GASKET	2
41	10011794	螺钉 M4 L=10	SCREW M4 L=10	2
42	10061567	动刀架座组件	KNIFE BRACKET MOUNTING BASE	1
43	10011588	螺钉 SM11/64"×40	SCREW SM11/64"×40	2
44	10063085	动刀	ROUND KNIFE	1
45	10013045	动刀架	ROUND KNIFE BRACKET	1

## 下轴及剪线部件

## PRESSER MECHANISM &amp; PRESSER VARIABLE COMPONENTS

序号 NO.	件号 Part No.	名称	DESCRIPTION	数量 Qty
46	10009626	螺钉 M3 L=4.35	SCREW M3 L=4.35	3
47	10013026	刀架压板	KNIFE HOLDER	1
48	10009471	螺母	NUT	1
49	10053055	方形针板贴膜	SQUARE NEEDLE PLATE	1
50	10005122	螺钉 M6 L=10	SCREW M6 L=10	2
51	10059804	剪线电磁铁组件		1
52	10062729	下轴铜套		1
53	10037640	剪线气缸接头	CYLINDER KNUCKLE	1
54	10011650	垫圈 8.2×15×2	WASHER 8.2×15×2	1
55	10014124	垫圈 8.4×15×3	WASHER 8.4×15×3	1
56	10009654	挡圈 6	E-RING 6	1
57	10008862	螺钉 SM1/4" ×4 0	SCREW SM1/4" ×4 0	1
58	10039207	切线凸轮曲柄组件	TRIMMING CAM CRANK ASM	1
59	10011697	切刀驱动轴	TRIMMING SHAFT	1
60	10008812	弹簧	SPRING	1
61	10014196	扭簧端盖	SPRING COVER	2
62	10013008	垫圈 8.2	WASHER 8.2	1
63	10014462	轴套	BUSHING	1
64	10013044	刀轴连杆	KNIFE SHAFT CONNECTING BAR	1
65	10026142	螺钉	SCREW	2
66	10013007	切线驱动曲柄轴	TRIMMING CRANK SHAFT	1
67	10013027	轴套	BUSHING	1
68	10013024	轴套	BUSHING	1
69	10013010	切线驱动曲柄止动块	CRANK BLOCK	1
70	10013013	切线驱动曲柄	TRIMMING CRANK	1
71	10009818	螺钉 SM3/16" ×32	SCREW SM3/16" ×32	1
72	10028226	弹簧	SPRING	1
73	10005350	螺钉 M4 L=8	SCREW M4 L=8	2
74	10038523	剪线拉簧板	FIXED PLATE	1
75	10053634	螺钉	SCREW	2
76	10040655	螺钉	SCREW	4
77	10038528	运模车小针板	SMALL NEEDLE PLATE	1
78	10048793	750针板	NEEDLE PLATE	1
79	10062467	旋梭	HOOK	1
80	10063086	梭芯	BOBBIN	1
81	10065171	梭壳	BOBBIN CASE	1
82	10010373	螺钉 SM11/64" ×4 0	SCREW SM11/64" ×4 0	1
83	10041949	旋梭定位钩	BOBBIN CASE HOLDER	1
	10041950	旋梭定位钩	BOBBIN CASE HOLDER	1
	10041951	旋梭定位钩	BOBBIN CASE HOLDER	1
	10051042	旋梭定位钩	BOBBIN CASE HOLDER	1
	10051612	旋梭定位钩	BOBBIN CASE HOLDER	1
84	10009601	螺钉 SM9/64" ×40	SCREW SM9/64" ×40	1
85	10055264	定刀压板	FIXED KNIFE PLATE	1
86	10011421	定刀	FIXED KNIFE	1
87	10042100	定刀垫片	FIXED KNIFE GASKET	1
88	10046203	定刀座螺钉	FIXED KNIFE SCREW	1
89	10057346	分线器垫片	DISPART THREAN SHUTTLE GASKET	1
90	10011584	分线器	DISPART THREAN SHUTTLE	1

# 7. 润滑部件



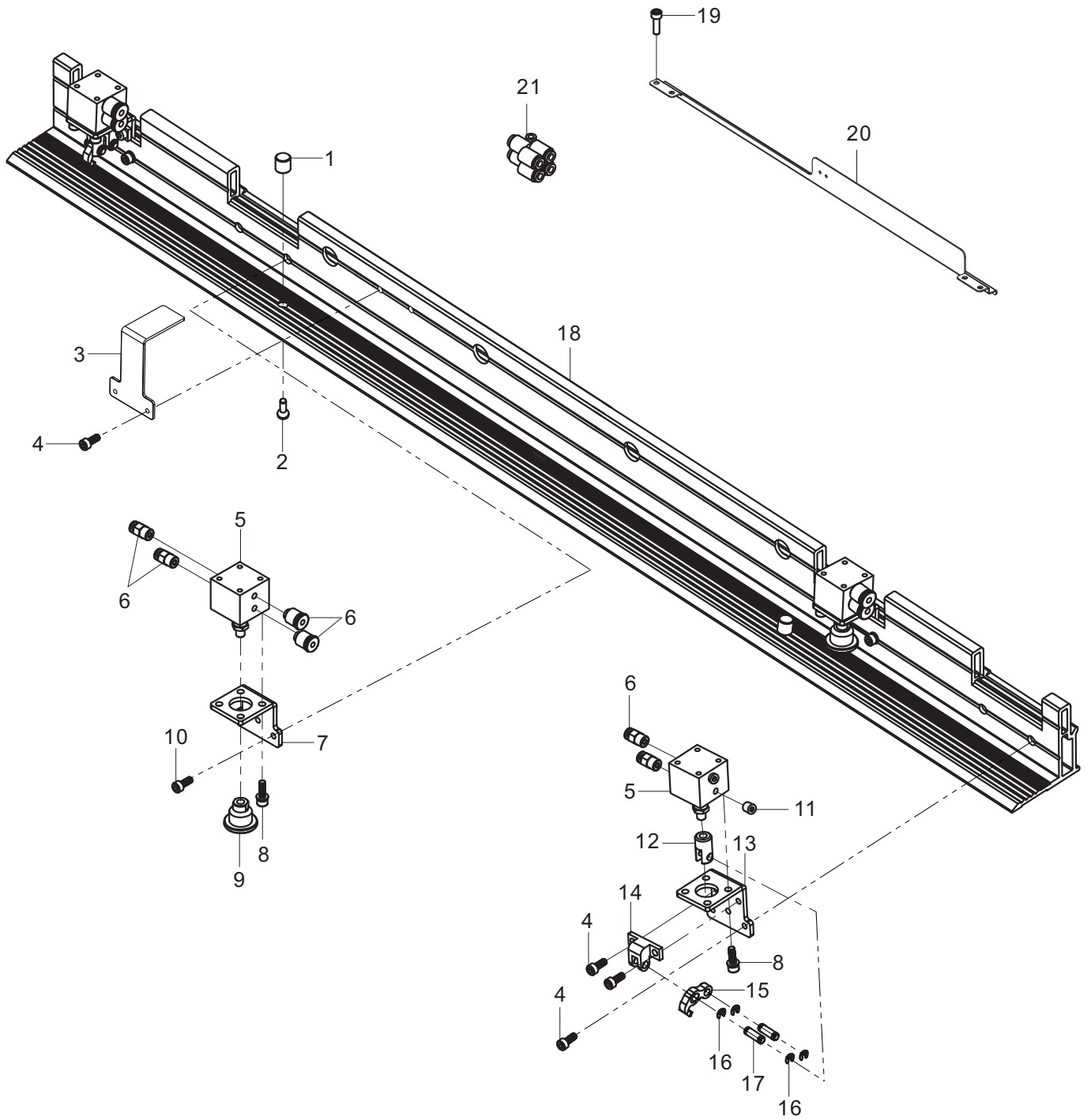


润滑部件

LUBRICATION COMPONENTS

序号 NO.	件号 Part No.	名称	DESCRIPTION	数量 Qty
1	10057442	油箱组件2	OIL TANK	1
2	10010587	橡胶塞	RUBBER PLUG	1
3	10005350	螺钉 M4 L=8	SCREW M4 L=8	6
4	10022469	油管夹	SPRING CLIP	1
5	10007800	φ3×φ5油管	OIL TUBE φ3×φ5	1,500
6	10014461	6.5×20 形圈	O-RING	2
7	10007806	φ8×φ10油管	OIL TUBE φ8×φ10	300
8	10013048	弹簧	SPRING	1
9	10008783	SM5/16"×24 螺钉	SCREW SM5/16"×24	2
10	10048800	螺钉 M4 L=10	SCREW M4 L=10	2
11	10064009	油盒固定板		2
12	10009195	M4×7.80 螺钉	SCREW M4 L=7.8	6
13	10037679	齿轮箱盖板	COVER PLATE	1
14	10038525	齿轮箱盖板垫	PLATE	1
15	10007796	φ4×φ6油管	OIL TUBE φ4×φ6	650
16	10012160	弹簧	SPRING	2
17	10008779	油管接头	JOINT	5
18	10010587	橡胶塞	RUBBER PLUG	1
19	10008780	加油杯	OLI FILLER CUP	1
20	10000863	M4×2螺钉	SCREW M4 L=12	1
21	10010517	油量调节阀	OIL REGULATING VAVLVE	1
22	10000567	油量调节阀O形圈	O-RING	1
23	10000566	油量调节杆	REGULATING ROD	1
24	10007096	M5×10螺钉	SCREW M5 L=10	4
25	10048826	油位标贴	OIL LEVEL LABEL	1
26	10005291	小油箱组件	SMALL OIL TANK	1
27	10065627	螺钉 M5 L=12	SCREW M5 L=12	2
28	10065627	螺钉 M5 L=12	SCREW M5 L=12	2
29	10057934	油盒安装板		1
30	10005041	M4×10 内六角圆头螺栓	SCREW M4 L=10	2
31	10048780	油管接头	JOINT	1
32	10055081	流量电磁阀安装座	MOUNTING PLATE	1
33	10042039	2KW03-08电磁阀	SOLENOID VALVE	1
34	10050200	锁母直通终端	JOINT	1

# 8. X-Y送料部件(1)

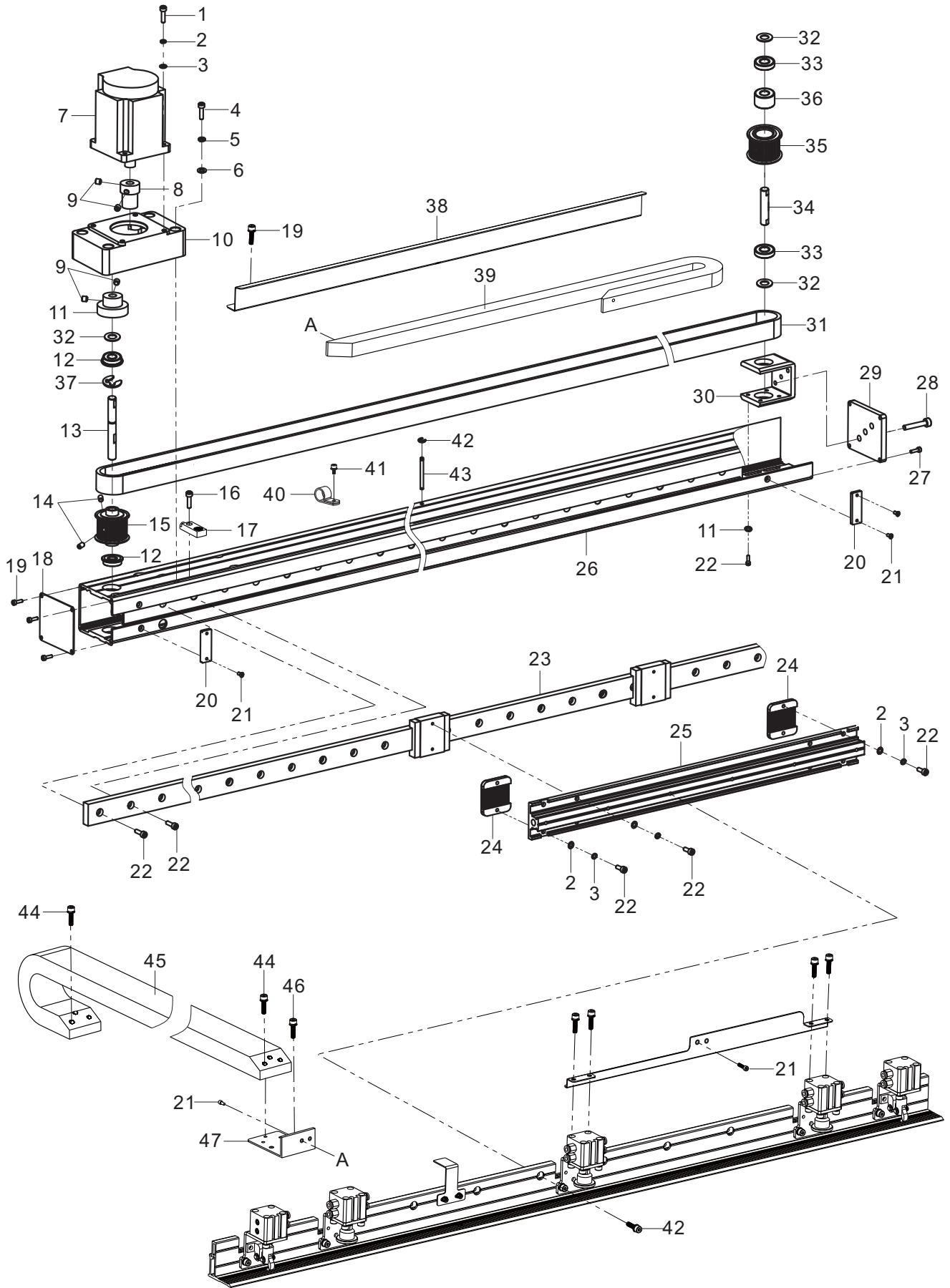


## X-Y送料部件 (1)

## FEEDING COMPONENTS

序号 NO.	件号 Part No.	名称	DESCRIPTION	数量 Qty
1	10052200	销	SPRING PIN	2
2	10040655	螺钉	SCREW M4 L=5.5	2
3	10061648	X向传感器感应片	X SENSOR MOUNTING	1
4	10001513	螺钉 M3 L=6	SCREW M3 L=6	2
5	10060548	气缸	AIR CYLINDER	5
6	10061374	接头_PC04-M5C	JOINT	12
7	10054455	安装板A	MOUNTING PLATE A	2
8	10059084	螺钉组件	SCREW M4 L=16	16
9	10054452	压紧套B	PRESSING BLOCK	3
10	10001239	螺钉组件	SCREW M4 L=8	18
11	10012162	螺钉	SCREW M5 L=5	4
12	10054451	气缸接头	JOINT	2
13	10054456	安装板B	MOUNTING PLATE B	2
14	10054453	铰接座	HINGE SEAT	2
15	10054454	爪勾	CLAW HOOK	2
16	10003248	3挡圈	E-RING 3	8
17	10000413	短销 5×15.5	SHORT PIN	4
18	10063690	500模板导轨_新横梁	ALUMINUM PROFILE GUIDE	1
19	10003875	螺钉 M4 L=8	SCREW M4 L=8	2
20	10064963	500模板机X向拖链前挡板		1
21	10007701	Y型快换接头 ATC APY4	TIE-IN	2

# 9. X-Y送料部件(2)

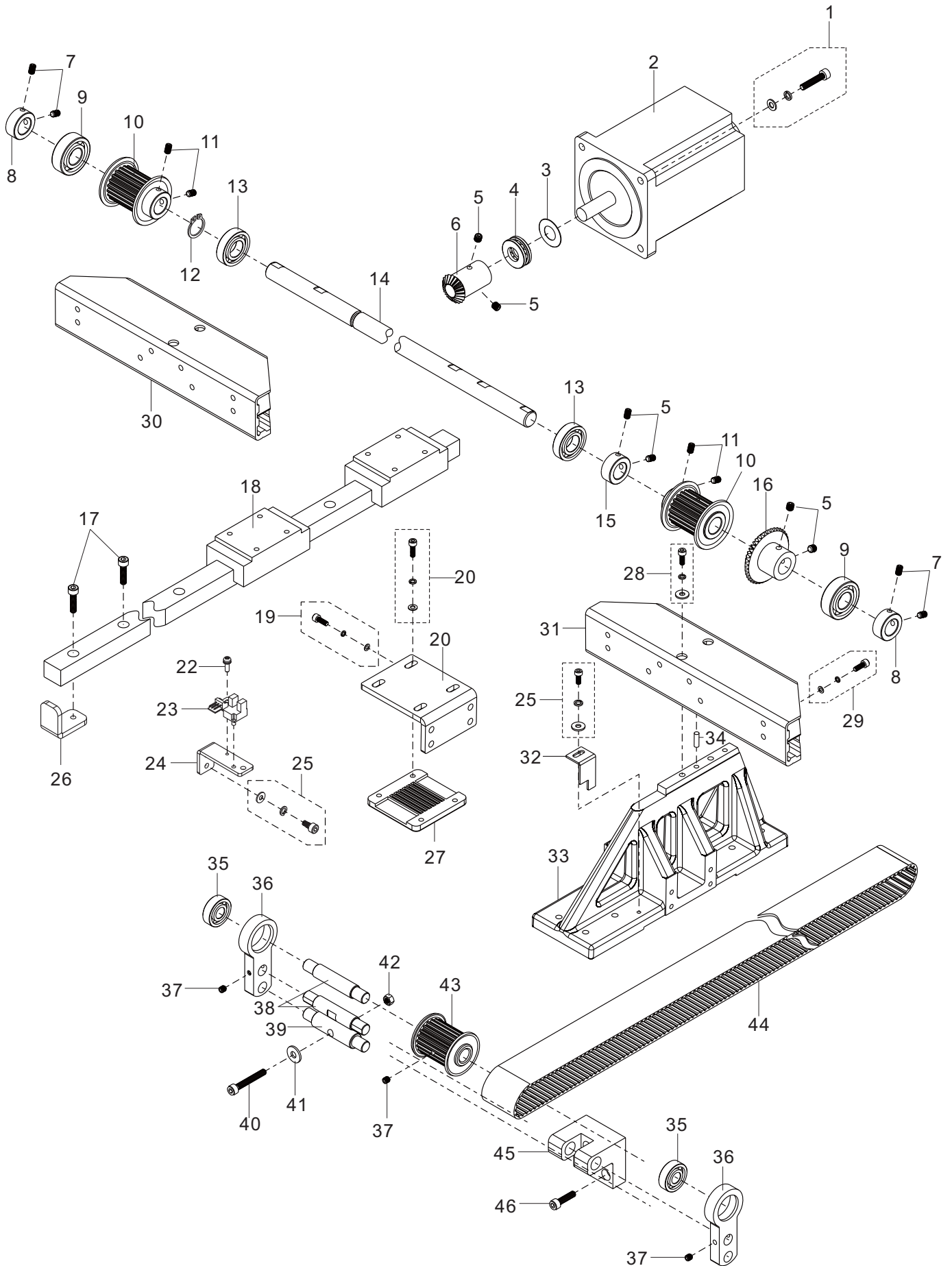


## X-Y送料部件(2)

## FEEDING COMPONENTS

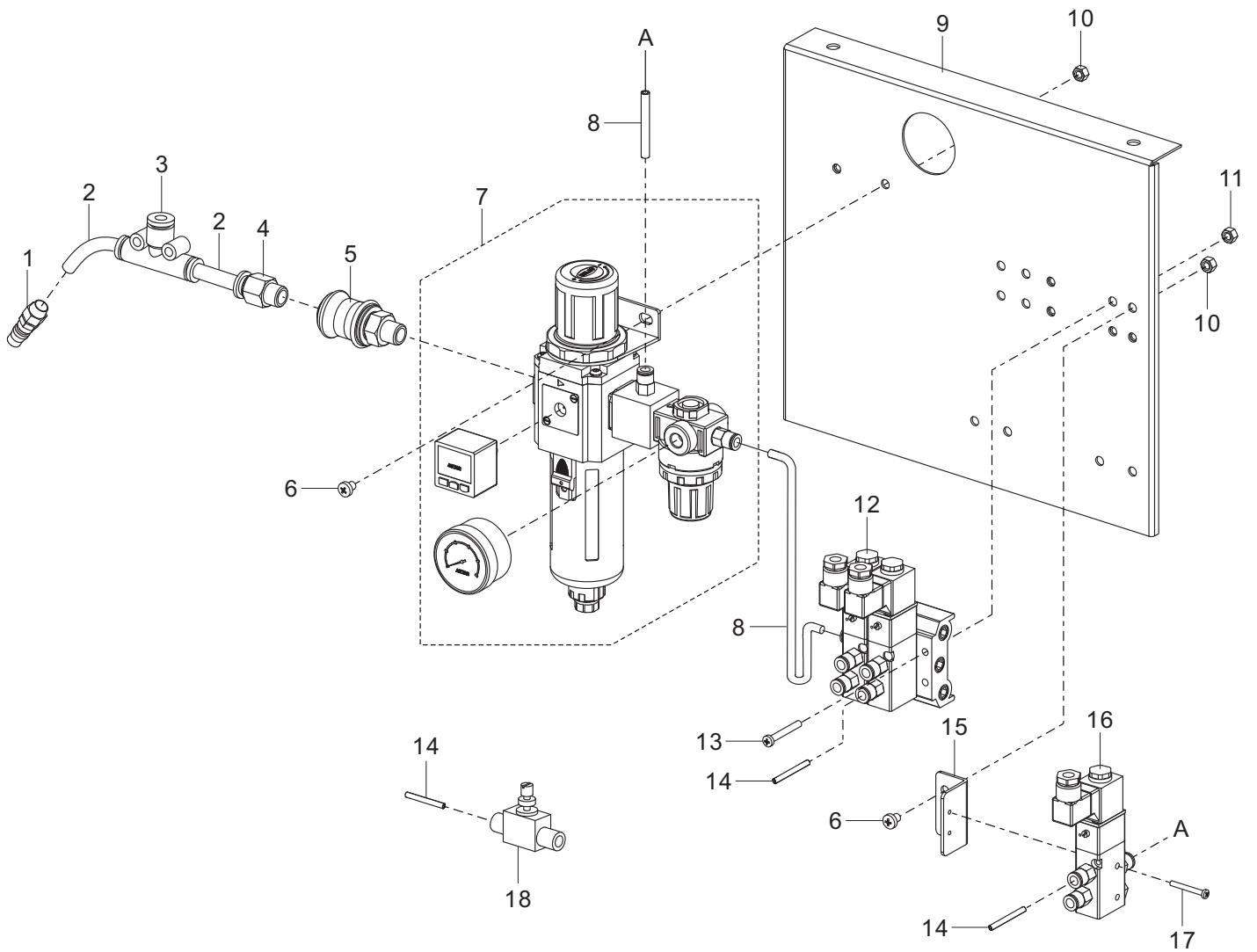
序号 NO.	件号 Part No.	名称	DESCRIPTION	数量 Qty
1	10009103	螺钉	SCREW M4 L=16	4
2	10008144	4垫圈	WASHER 4	16
3	10002954	4垫圈	WASHER 4	20
4	10003164	螺钉	SCREW M5 L=16	4
5	10005537	5弹簧垫圈	WASHER 5	4
6	10012318	5垫圈	WASHER 5	4
7	10061562	X向低压闭环步进电机	STEPPING MOTOR	1
8	10062845	X向电机直齿轮	SPUR GEAR	1
9	10011232	螺钉	SCREW M6 L=6	4
10	20024320	电机座喷漆	MOTOR BASE	1
11	10062710	X向传动直齿轮		1
12	10003601	600ZZNR轴承	BEARING	2
13	10062709	齿轮轴	PIN	1
14	10004949	螺钉	SCREW M5 L=8	2
15	10062711	左带轮	R-SYNCHRONOS PULLEY	1
16	10000984	螺钉	SCREW M3 L=9.5	1
17	10061541	X向传感器	X DIRECTION SENSOR	1
18	10062713	左侧板	COVER PLATE	1
19	10001513	螺钉	SCREW M3 L=6	7
20	10062712	限位块	LIMIT BLOCK	2
21	10009667	螺钉	SCREW M3 L=6	8
22	10000863	螺钉	SCREW M4 L=12	22
23	10062791	直线导轨	LINEAR GUIDE RAIL	1
24	10062682	X向同步带压板	PRESS PLATE	2
25	10063703	500模板导轨座	SUPPORT SEAT 500	1
26	10063776	500送料座	FEED SEAT 500	1
27	10001033	螺钉	SCREW M3 L=10	4
28	10065629	螺钉	SCREW M5 L=20	3
29	10062684	侧挡板	TIGHTEN PLATE	1
30	10062733	张紧板	MOUNTING PLATE	1
31	10062361	X向开口同步带	SYNCHRO BELT	2200
32	10062685	垫圈 10	WASHER 10	3
33	10003576	6000ZZ轴承	BEARING	2
34	10062731	带轮轴	PIN	1
35	10062732	右带轮	L-SYNCHRONOS PULLEY	1
36	10062730	限位套	BUSHING	1
37	10003281	挡圈 9	E-RING 9	1
38	10061092	小模板车拖链挡板	BAFFLE	1
39	10037199	塑料拖链	PLASTIC DRAG CHAIN	1
40	10008229	SL-12N夹头		2
41	10003875	螺钉组件	SCREW M4 L=8	2
42	10009653	挡圈 4	E-RING 4	1
43	10062767	销	SPRING PIN	1
44	10040655	螺钉	SCREW M4 L=5.5	4
45	10063892	坦克链15*30	PLASTIC DRAG CHAIN	1
46	10012553	螺钉	SCREW M4 L=8	2
47	10059914	拖链过渡板	MOUNTING PLATE	1

# 10. X-Y送料部件(3)



序号 NO.	件号 Part No.	名称	DESCRIPTION	数量 Qty
1	10065629	螺钉组件 M5 L=20	SCREW M5 L=20	4
2	10061563	Y向闭环步进电机	STEPPING MOTOR	1
3	10005109	14调整垫片	WASHER 14	3
4	10003684	51101轴承	BEARING	1
5	10011232	螺钉 M6 L=6	SCREW M6 L=6	6
6	10053328	Y向主动齿轮	Y-DRIVE GEAR	1
7	10005258	螺钉 M6×0 75 L= 5	SCREW M6×0 75L= 5	4
8	10005477	输送主轴挡圈	THRUST COLLAR	2
9	10003585	6302ZZNR轴承	BEARING	2
10	10053998	900Y向同步带轮	Y-SYNCHRONOUS PULLEY	2
11	10012162	螺钉 M5 L=5	SCREW M5 L=5	4
12	10010090	挡圈 13.8	E-RING 13.8	1
13	10009787	6202ZZNR轴承	BEARING	2
14	10063938	500Y向驱动轴	WHEEL SHAFT 500	1
15	10064181	挡圈	THRUST COLLAR	1
16	10050756	Y向从动齿轮	DRIVEN GEAR	2
17	10003164	螺钉 M5 L=16	SCREW M5 L=16	16
18	10063936	Y向导轨组件	LINEAR GUIDE RAIL Y	2
19	10065628	组合螺钉 M5 L=16	SCREW M5 L=16	8
20	10065627	组合螺钉 M5 L=12	SCREW M5 L=12	8
21	10063939	Y向同步带连接板	MOUNTING SEAT	2
22	10000984	螺钉 M3 L=9.5	SCREW M3 L=9.5	1
23	10061542	Y传感线	Y SENSOR	1
24	10063941	Y向传感器安装板	SENSOR MOUNTING PLATE	1
25	10003875	螺钉 M4 L=8	SCREW M4 L=8	3
26	10064008	Y向导轨限位板	LIMIT BLOCK	2
27	10054002	900Y向同步带压板	PRESS PLATE	2
28	10065629	组合螺钉 M5 L=20	SCREW M5 L=20	4
29	10065627	组合螺钉 M5 L=12	SCREW M5 L=12	16
30	10063704	500支撑座左_新横梁	SUPPORT SEAT	1
31	10063705	500支撑座右_新横梁	SUPPORT SEAT	1
32	10063940	Y向传感器感应片	DETECTION PLATE	1
33	10063937	送料座	FEED SEAT	2
34	10010138	销	SPRING PIN	2
35	10003576	6000ZZ轴承	BEARING	4
36	10050883	张紧板	TENSIONING PLATE	4
37	10012162	螺钉 M5 L=5	SCREW M5 L=5	12
38	10053997	900张紧轴	TENSIONING SHAFT	4
39	10054000	900张紧轴2	TENSIONING SHAFT 2	2
40	10003100	螺钉	SCREW M5 L=35	2
41	10000480	6垫圈	WASHER 6	2
42	10009467	螺母 M5	NUT M5	2
43	10054003	900Y向同步带从动轮	Y-DRIVEN GEAR	2
44	10054063	900开口橡胶同步带	SYNCHRONOUS BELT	5,020
45	10053999	900张紧座	TENSIONING PLATE	2
46	10003141	螺钉 M5 L=20	SCREW M5 L=20	6

# 11.气动部件



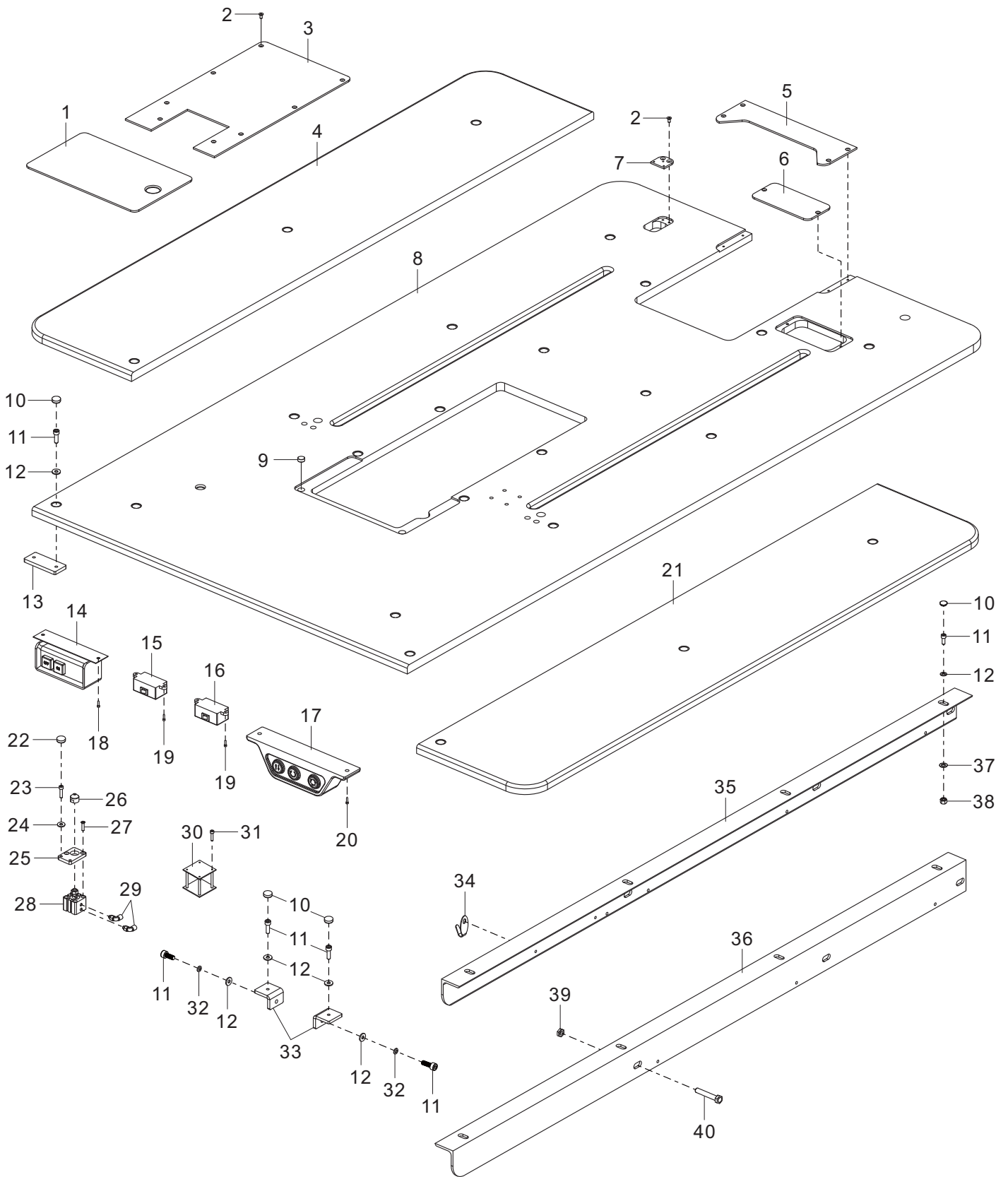


气动部件

PNEUMATIC COMPONENTS

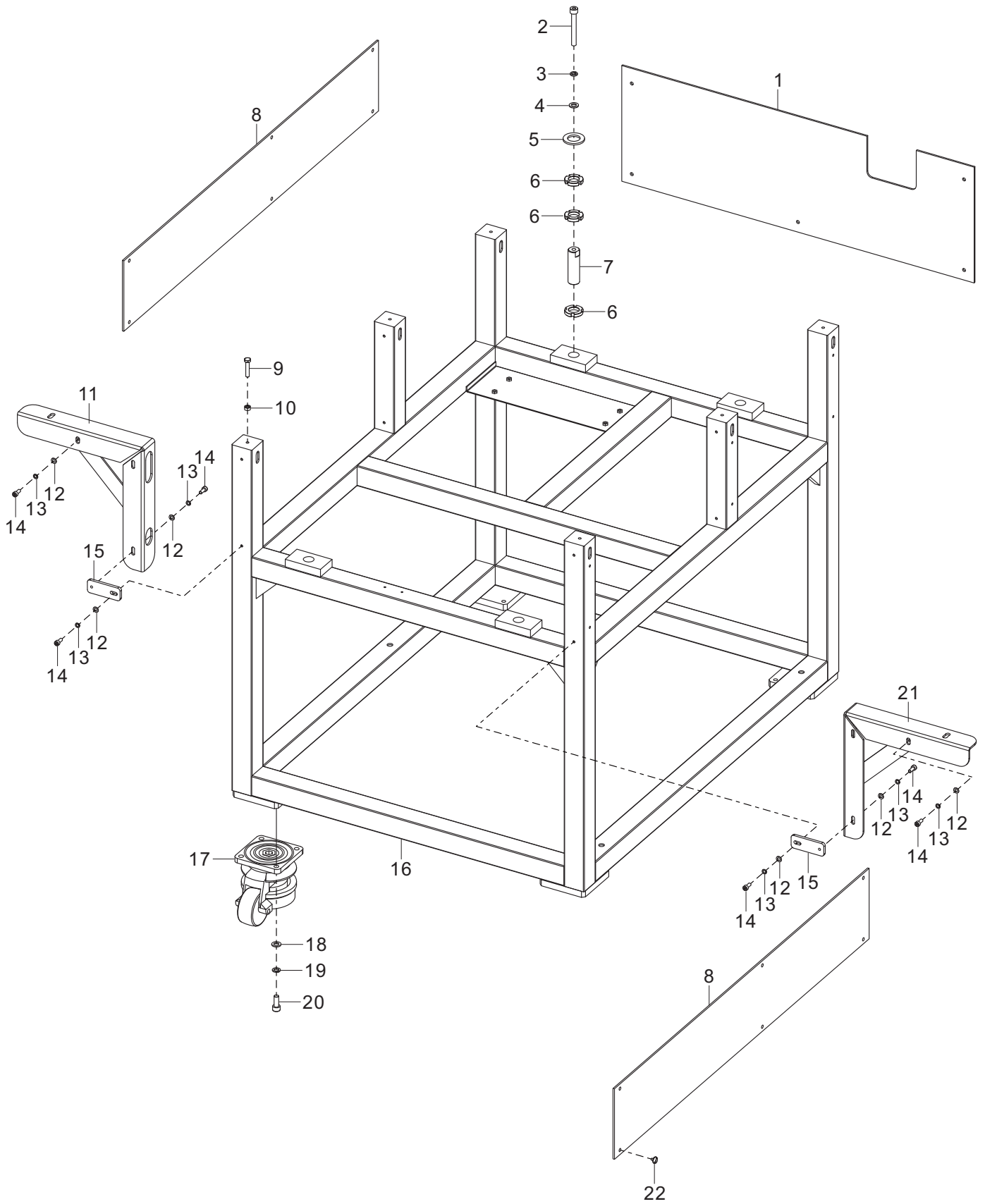
序号 NO.	件号 Part No.	名称	DESCRIPTION	数量 Qty
1	10052372	接头 PP30	PLUD PP30	1
2	10008151	ATC PUC1065透明气管	TUBE $\Phi 10 \times \Phi 6.5$	300
3	10052376	三通快速管接头		1
4	10003458	APC10-02 $\Phi 10$ 阀进气直连接头	PLUD APC10-02 $\Phi 10$	1
5	10052367	ATC HSV08手滑阀	HAND SLIDE VALVE	1
6	10003883	螺钉 M5 L=10	SCREW M5 L=10	4
7	10064657	二联过滤减压阀组件	FILTER REGULATOR	1
8	10008150	$\Phi 4 \times \Phi 6$ 气管	TUBE $\Phi 4 \times \Phi 6$	200
9	20022345	气动安装板喷漆		1
10	10009467	螺母 M5	NUT M5	4
11	10009471	螺母 M4	NUT M4	4
12	10064245	二组电磁阀	2 PORT SOLENOID VALVE GROUP	1
13	10002180	螺钉 M4 L=30	SCREW M4 L=30	4
14	10008119	$\Phi 2.5 \times \Phi 4$ 气管	TUBE $\Phi 2.5 \times \Phi 4$	10000
15	10062259	单电磁阀安装板		1
16	10064244	单组电磁阀	1 PORT SOLENOID VALVE GROUP	1
17	10002148	螺钉 M3 L=10	SCREW M3 L=10	2
18	10052369	调压阀NSF 04	PLUG NSF 04	1

## 12.大缝台部件



序号 NO.	件号 Part No.	名称	DESCRIPTION	数量 Qty
1	10059558	梭芯盖板组件	COVER LABLE	1
2	10051846	螺钉	SCREW	16
3	10063968	500剪线上盖板	COVER LABLE 500	1
4	10063972	辅助台板左	LEFT TABLE	1
5	10063969	500后台板贴	TABLE LABLE 500	1
6	10055066	电机盖板	COVER LABLE	1
7	10058223	拖链安装板2	DRAG CHAIN PLATE	1
8	10063970	台板面	TABLE	1
9	10001096	磁铁	MAGNET	4
10	10056183	橡胶塞	RUBBER PLUG	24
11	10009008	M6×16 螺钉	SCREW M6 L=16	26
12	10012856	6.5×1 2×1垫圈	WASHER 6.5×1 2×1	26
13	10055080	拉紧板	CONNECTING PLATE	2
14	10061935	电源开关组件		1
15	10053019	机头照明灯_2M	HEAD LIGHT	1
16	10053020	机头灯_4M	HEAD LIGHT	1
17	10059336	模板机启动开关组件		1
18	10065627	组合螺钉 M5 L=12	SCREW M5 L=12	2
19	10009553	螺钉 M3 L=8	SCREW M3 L=8	4
20	10065628	组合螺钉 M5 L=16	SCREW M5 L=16	2
21	10063971	辅助台板右	RIGHT TABLE	1
22	10061307	橡胶塞	RUBBER PLUG	4
23	10003164	螺钉 M5 L=16	SCREW M5 L=16	4
24	10005537	弹簧垫圈 5	APRING WASHER 5	4
25	10063114	气缸垫板		2
26	10063116	模板顶柱	TOP COLUMN	2
27	10041018	螺钉 M4 L=14	SCREW M4 L=14	4
28	10054462	气缸	AIR CYLINDER	2
29	10052378	气管接头	TIE-IN	4
30	10061560	RFID扫码识别器	RFID CODE RECOGNIZER	1
31	10000909	螺钉 M3 L=8	SCREW M3 L=8	4
32	10003077	弹簧垫圈 6	APRING WASHER 6	2
33	10057975	台板安装板	MOUNTING PLATE	2
34	10050184	气枪挂钩		1
35	10063974	4060角铝左	LEFT ALUMINIUM PROFILE	1
36	10063973	4060角铝右	RIGHT ALUMINIUM PROFILE	1
37	10000480	垫圈 6×1 5×1.6	WASHER 6×1 5×1 .6	8
38	10003032	M6螺母	NUT M6	8
39	10003131	M8螺母	NUT M8	6
30	10054084	螺钉 M8 L=50	SCREW M8 L=50	6

# 13.机架部件

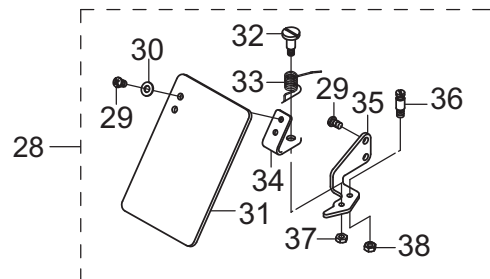
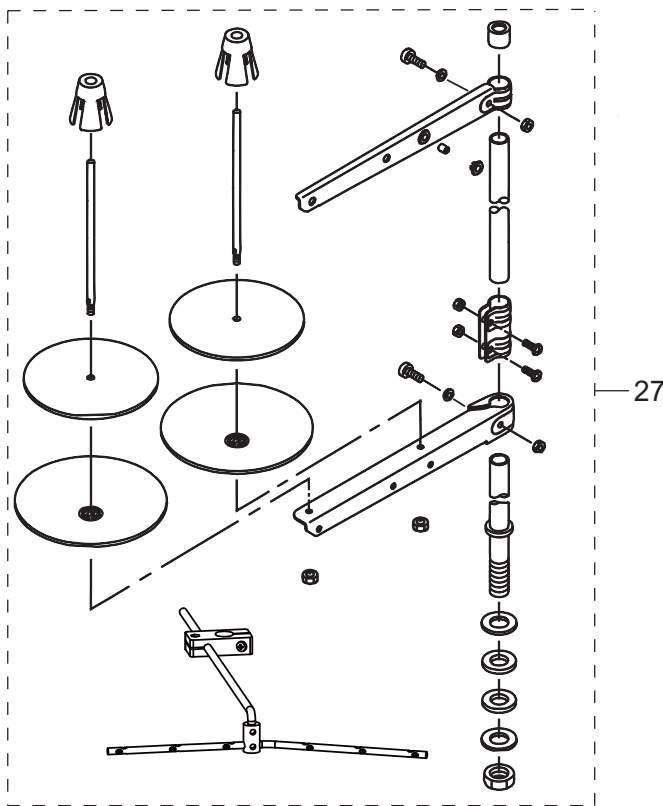
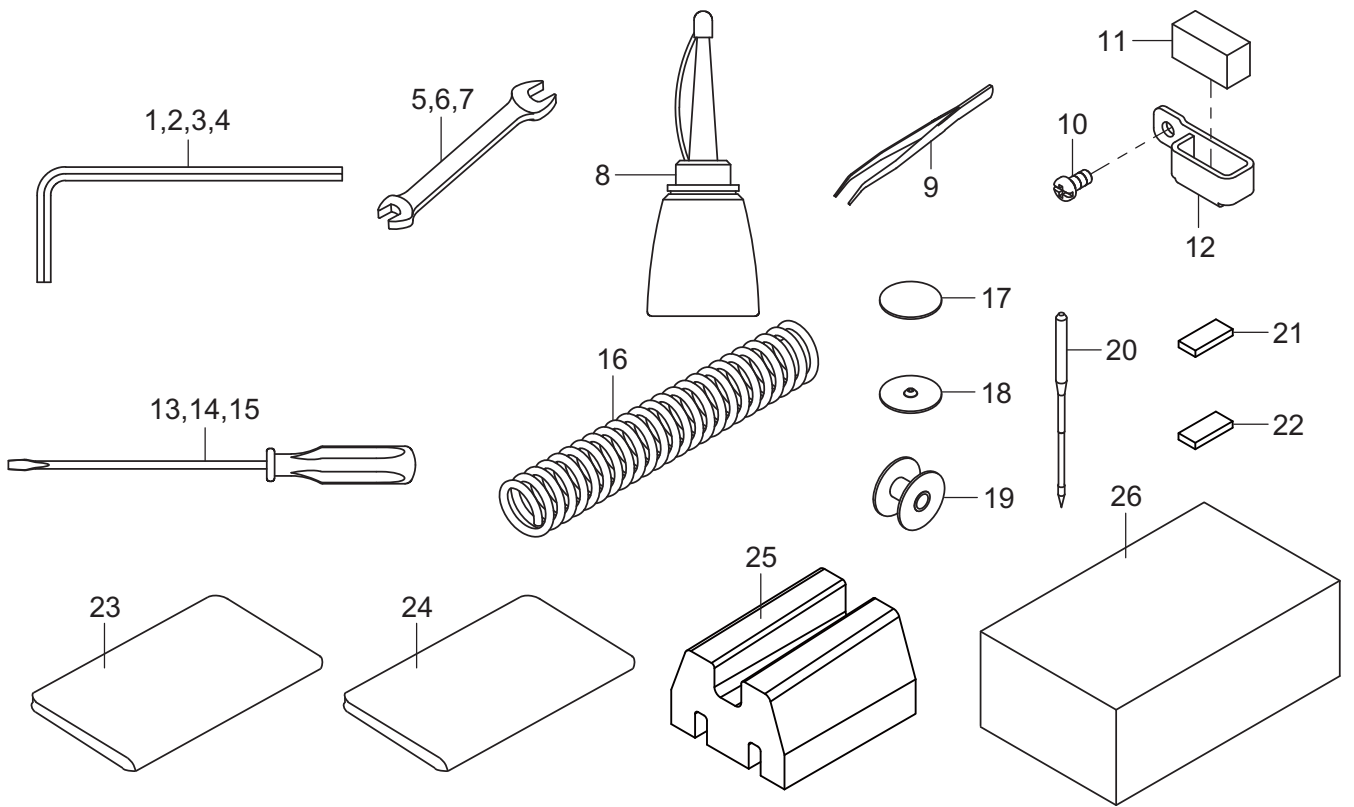


## 机架部件

## MACHINE FRAME COMPONENTS

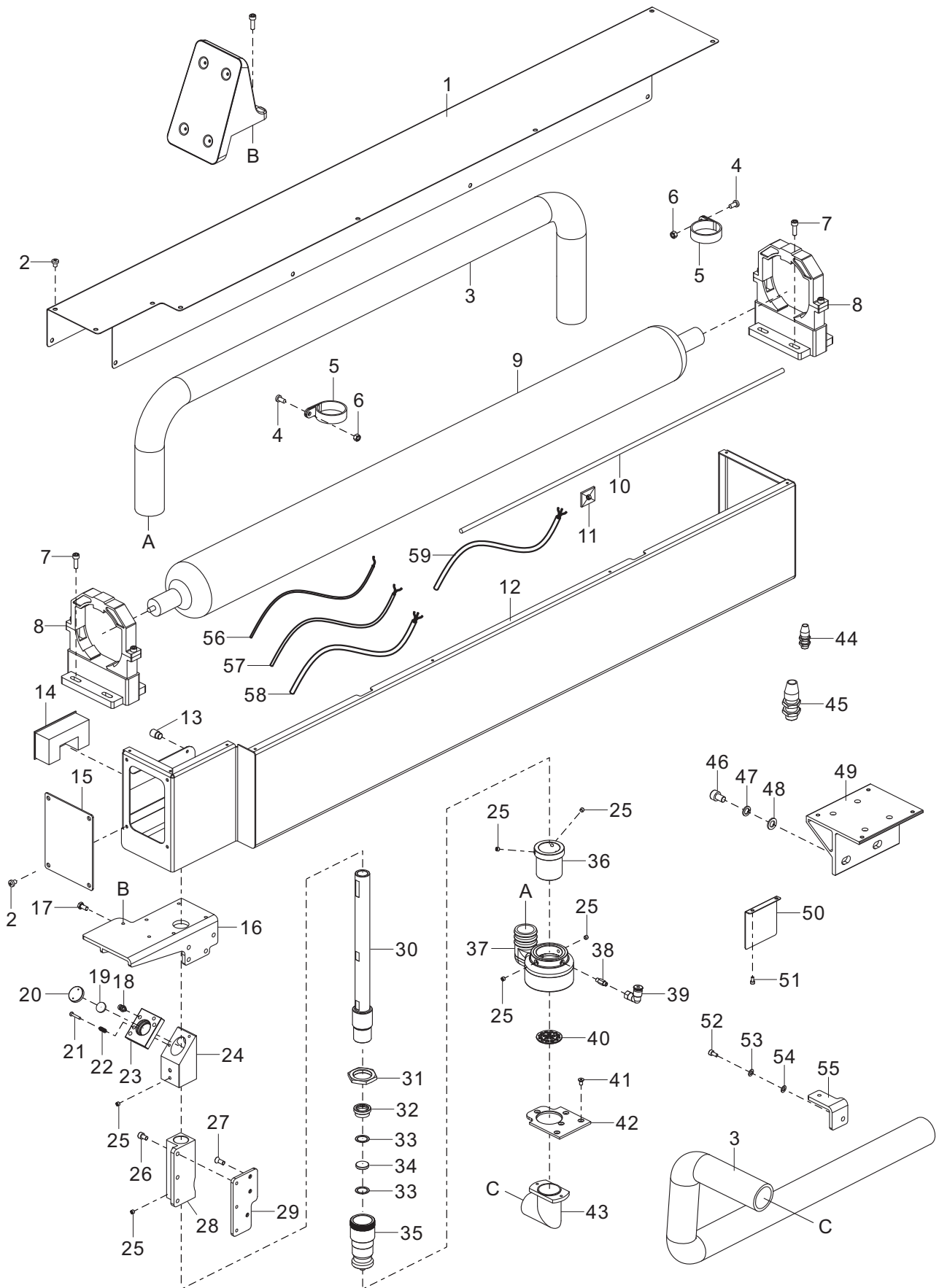
序号 NO.	件号 Part No.	名称	DESCRIPTION	数量 Qty
1	10064013	后围板	BACK BAFFLE	1
2	10003004	螺钉 M8 L=65	SCREW M8 L=65	4
3	10002986	弹簧垫圈 8	SPRING WASHER 8	4
4	10002948	垫圈 8	WASHER 8	4
5	10054852	平垫圈 20	WASHER 20	4
6	10054086	小圆螺母 M20×1 5	NUT M20×1 5	12
7	10054074	螺柱 M20×1 5	SCREW M20×1 5	4
8	10064011	左围板	LEFT BAFFLE	2
9	10052876	螺栓 M6 L=20	SCREW M6 L=20	6
10	10003032	螺母 M6	NUT M6	6
11	20024455	500左支撑架组件_喷漆件		2
12	10012318	垫圈 5	WASHER 5	20
13	10005537	弹簧垫圈 5	SPRING WASHER 5	20
14	10003162	螺钉 M5 L=12	SCREW M5 L=12	20
15	10064010	辅助台板支撑连接板		8
16	20024457	500机架体_喷漆件	MACHINE FRAME	1
17	10057044	一体式脚轮	INTEGRAL ANGLE WHEEL	4
18	10002948	垫圈 8	WASHER 8	16
19	10002986	弹簧垫圈 8	SPRING WASHER 8	20
20	10003093	螺钉 M8 L=20	SCREW M8 L=20	20
21	20024456	500右支撑架组件_喷漆件		2
22	10041876	螺钉 M5 L=12	SCREW M5 L=12	17

# 14. 附件部件



序号 NO.	件号 Part No.	名称	DESCRIPTION	数量 Qty
1	10009685	内六角扳手 2.5	HEXAGONAL WRENCH 2.5	1
2	10009687	内六角扳手 3	HEXAGONAL WRENCH 3	1
3	10009689	内六角扳手 4	HEXAGONAL WRENCH 4	1
4	10009689	内六角扳手 5	HEXAGONAL WRENCH 5	1
5	10003369	呆扳手 8×0	WRENCH 8×0	1
6	10003368	呆扳手 9×1	WRENCH 9×1	1
7	10003368	呆扳手 9×1	WRENCH 9×1	1
8	10005356	油壶	OLI CAN	1
9	10004247	镊子组件	TWEEZERS	1
10	10011143	螺钉 SM9/64"×40 L=7	SCREW SM9/64"×40 L=7	1
11	10000396	硅油毡	FELT	1
12	10000398	硅油板	THREAD GUIDE	1
13	10010994	大螺丝刀	SCREW DRIVER LARGE	1
14	10010995	中螺丝刀	SCREW DRIVER MIDDLE	1
15	10013185	小螺丝刀	SCREW DRIVER SMALL	1
16	60000115	吹气管	INPUT TUBE	1
17	10060484	38IC卡		20
18	10041780	运模车小针板	SMALL NEEDLE PLATE	1
19	10063086	梭心	BOBBIN	2
20	10053820	机针 DP×5 1 0#	NEEDLE DP×5 1 0#	10
21	10040794	U盘		1
22	10047881	PDS打板软件及加密狗		1
23	10041948	750运模车机头罩	MACHINE HEAD COVER	1
24	10051094	750防雨罩		1
25	10041496	机头发泡		1
26	10000159	附件箱	ACCESSORY BOX	1
27	10007130	二线线架部件	THREAD STAND	1
28	20004358	眼睛防护罩组件	SAFETY PLATE ASM	1
29	10011570	螺钉 SM11/64"×40 L=7	SCREW SM11/64"×40 L=7	(4)
30	10011680	垫圈 4.6×9.7×0.8	WASHER 4.6×9.7×0.8	(2)
31	10011636	安全板	SAFETY PLATE	(1)
32	10011677	螺钉轴	HINGE SCREW	(1)
33	10011678	弹簧	SPRING	(1)
34	10011684	安全板架组件	SAFETY PLATE INSTALLING PLATE B	(1)
35	10011632	安全板座	SAFETY PLATE INSTALLING PLATE A	(1)
36	10011633	销钉	SCREW PIN	(1)
37	10010370	螺母 SM11/64"×40	NUT SM11/64"×40	(1)
38	10011682	螺母 SM3/16"×28	NUT SM3/16"×28	(1)

# 15. 上激光部件(1)





## 上激光部件(1)

## WIPER MECHANISM COMPONENTS

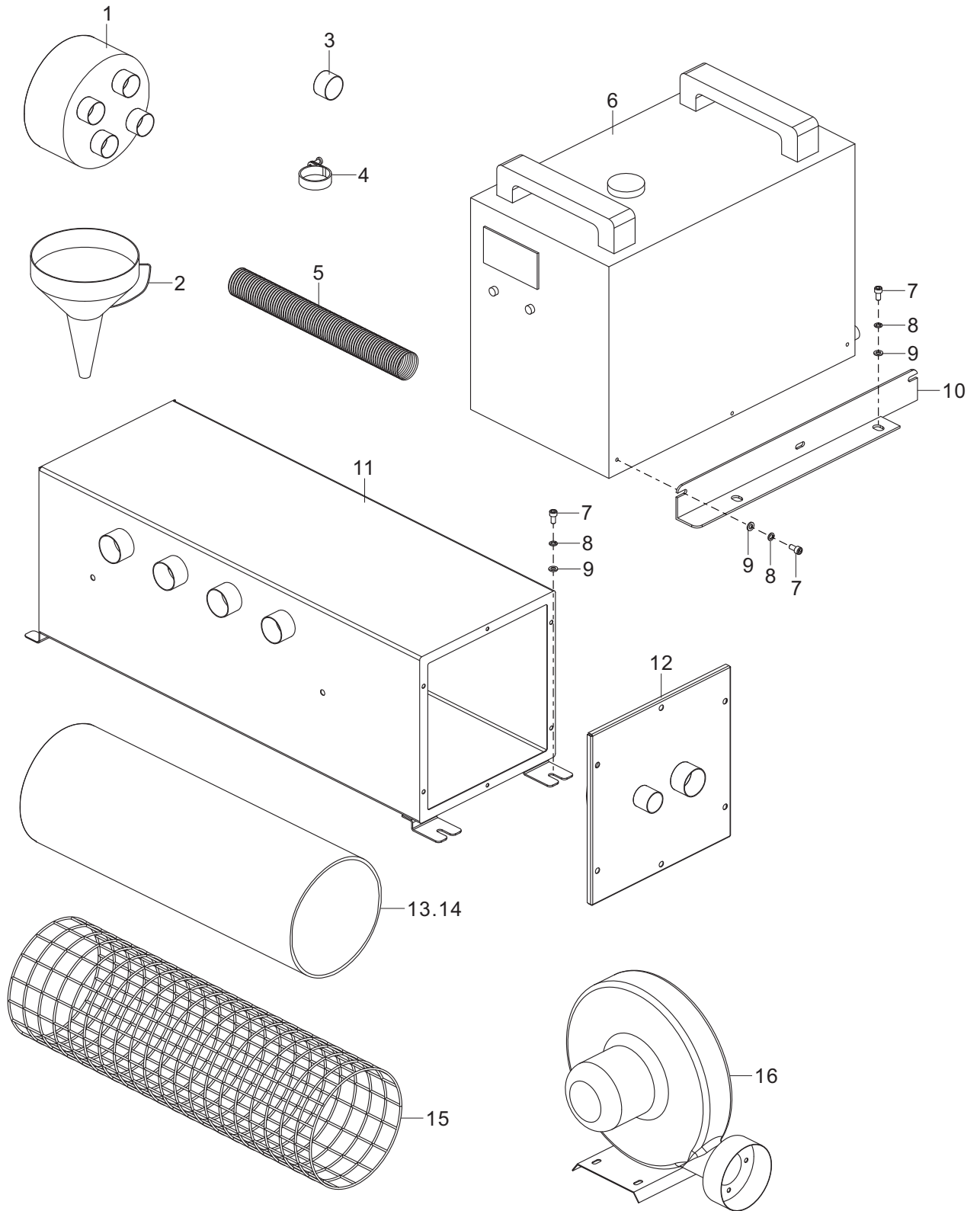
序号 NO.	件号 Part No.	名称	DESCRIPTION	数量 Qty
1	10064939	500浪尖激光罩壳盖		1
2	10012599	螺钉 M5 L=7.8	SCREW M5 L=7.8	18
3	10061357	32波纹管3米		2
4	10003049	螺钉 M4 L=12	SCREW M4 L=12	2
5	10035669	卡箍圈 32-44		2
6	10009471	螺母 M4	SCREW M4	2
7	10003164	螺钉 M5 L=16	SCREW M5 L=16	8
8	10062450	激光管固定座B		2
9	10059866	激光管 60W		1
10	10058871	硅胶水管		5000
11	10059777	扎带吸盘		5
12	10064938	500新浪尖激光管罩壳		1
13	10060529	变位器 激光管		1
14	10062451	LED直流电流表		1
15	10066855	500激光罩壳前盖		1
16	20024936	500激光罩壳前支撑座		1
17	10065628	组合螺钉 M5 L=16	SCREW M5 L=16	4
18	10059423	反光镜调节铜螺钉		3
19	10059421	反光镜		1
20	10059417	激光反光镜盖		1
21	10005041	螺钉 M4 L=10	SCREW M4 L=10	2
22	10059422	反光镜调节弹簧		2
23	10062433	反光镜安装板		1
24	10064946	500反光镜调节座		1
25	10003153	螺钉 M5 L=5	SCREW M5 L=5	8
26	10065627	组合螺钉 M5 L=12	SCREW M5 L=12	3
27	10066170	螺钉 M5 L=10	SCREW M5 L=10	3
28	10064926	500过光管固定座		1
29	10064931	过光管座固定板		1
30	10066859	500过光管2		1
31	10062428	聚焦镜座锁紧螺母		1
32	10058744	聚光镜固定螺母		1
33	10060555	聚光镜压紧垫圈		2
34	10062448	聚光镜50.8		1
35	10066857	500聚光镜座2		1
36	10066858	500吸气罩连接环2		1
37	10062421	吸气罩		1
38	10062422	进气接头		1
39	10062447	气缸接头	JOINT	1
40	10058749	下吸气蜂窝板		1
41	10040655	螺钉 M4 L=8	SCREW M4 L=4	5
42	10066869	500激光切割盖板		1
43	10066860	500下吸气座2		1
44	10059225	激光电源线固定接头M12		2
45	10058824	总进气管固定接头M22		2
46	10003093	螺栓 M8 L=20	SCREW M8 L=20	2
47	10002986	弹簧垫圈 8	SPRING WASHER 8	2
48	10003031	垫圈 8	WASHER 8	2
49	10066868	500激光罩壳后支撑座2		1

## 上激光部件(1)

## WIPER MECHANISM COMPONENTS

序号 NO.	件号 Part No.	名称	DESCRIPTION	数量 Qty
50	10066861	500旋梭挡油板		1
51	10002976	螺钉 M4 L=6	SCREW M4 L=6	2
52	10009008	螺钉 M6 L=16	SCREW M6 L=16	1
53	10003077	弹簧垫圈 6	SPRING WASHER 6	1
54	10012856	垫圈 6	WASHER 6	1
55	10064933	500台板固定板		1
56	10059881	激光管低压线1芯		3000
57	10059882	2芯线缆		4200
58	10060023	三芯电源线		4500
59	10060097	变位器信号线3芯		5000

16. 上激光部件(2)



## 上激光部件(2)

## WIPER MECHANISM COMPONENTS

序号 NO.	件号 Part No.	名称	DESCRIPTION	数量 Qty
1	10062416	鼓风机法兰接头		1
2	10059428	加水漏斗		1
3	10062758	鼓风机法兰橡胶套40		2
4	10035669	卡箍圈 32-44		8
5	10062606	40波纹管2.5米		2
6	10063247	水冷机2		1
7	10003164	螺栓 M5 L=16	SCREW M5 L=16	9
8	10005537	弹簧垫圈 5	SPRING WASHER 5	9
9	10000480	垫圈 5	WASHER 5	9
10	10059413	水箱安装角铁		1
11	10064935	500过滤箱		1
12	10064936	过滤箱盖		1
13	10065595	过滤棉		1
14	10065596	过滤毡		1
15				
16	10061991	鼓风机组件_大风量 500W		1