



Parts List and Sewing Equipment 零件样本和缝纫附件

267

DÜRKOPP ADLER

Manufacturer: Dürkopp Adler Manufacturing (Shanghai) Co., Ltd.
1201 Luoshan Road, Pudong New Area, Shanghai 200135, China

Contact: Dürkopp Adler AG, PO Box 17 03 51, D-33703 Bielefeld, Potsdamerstr. 190, D-33719 Bielefeld,
Phone +49 (0) 521 9 25 00, Fax +49 (0) 521 9 25 24 35, www.duerkopp-adler.com

制造商: 杜克普爱华工业制造(上海)有限公司
中国上海浦东新区罗山路1201号 邮政编码: 200135

联系单
Dürkopp Adler AG, PO Box 17 03 51, D-33703 Bielefeld, Potsdamerstr. 190, D-33719 Bielefeld,
Phone +49 (0) 521 9 25 00, Fax +49 (0) 521 9 25 24 35, www.duerkopp-adler.com

Edition:
12/2007

Revision index
02.0

Printed in China 中国印制

Part.-No.:
0791 267801 KA

From the library of: Superior Sewing Machine & Supply LLC

267

Table of contents	Table / 图表	目录
Arm shaft	1	上轴
Upper feed, feed- and needle bar	2	上送料、下送料和针送料
Presser bar	3	压杆
Needle feed shaft	4	针送料轴
Feed regulator	5	针距调节机构
Sewing foot lift system	6	抬压脚机构
Arm cover and pretension	7	机壳顶盖和过线预夹紧
Thread tension bearer	8, 9	夹线器
Bobbin winder	10	绕线器
Arm and face cover	11	机壳和面板
Bed plate	12	底板
Slide	13	推板
Hook and hook bearing	14	旋梭和旋梭安装座
Belt pulley	15	皮带轮
Lower shaft	16	下轴
Lifter shaft, feed crank	17	抬牙和送料机构
Stand, maintenance unit	18	机架台板
Sewing lamp and transformer	19	缝纫灯和变压器
Motor package	20	马达包
Accessories	21, 22	附件盒
Sewing equipments		缝纫附件

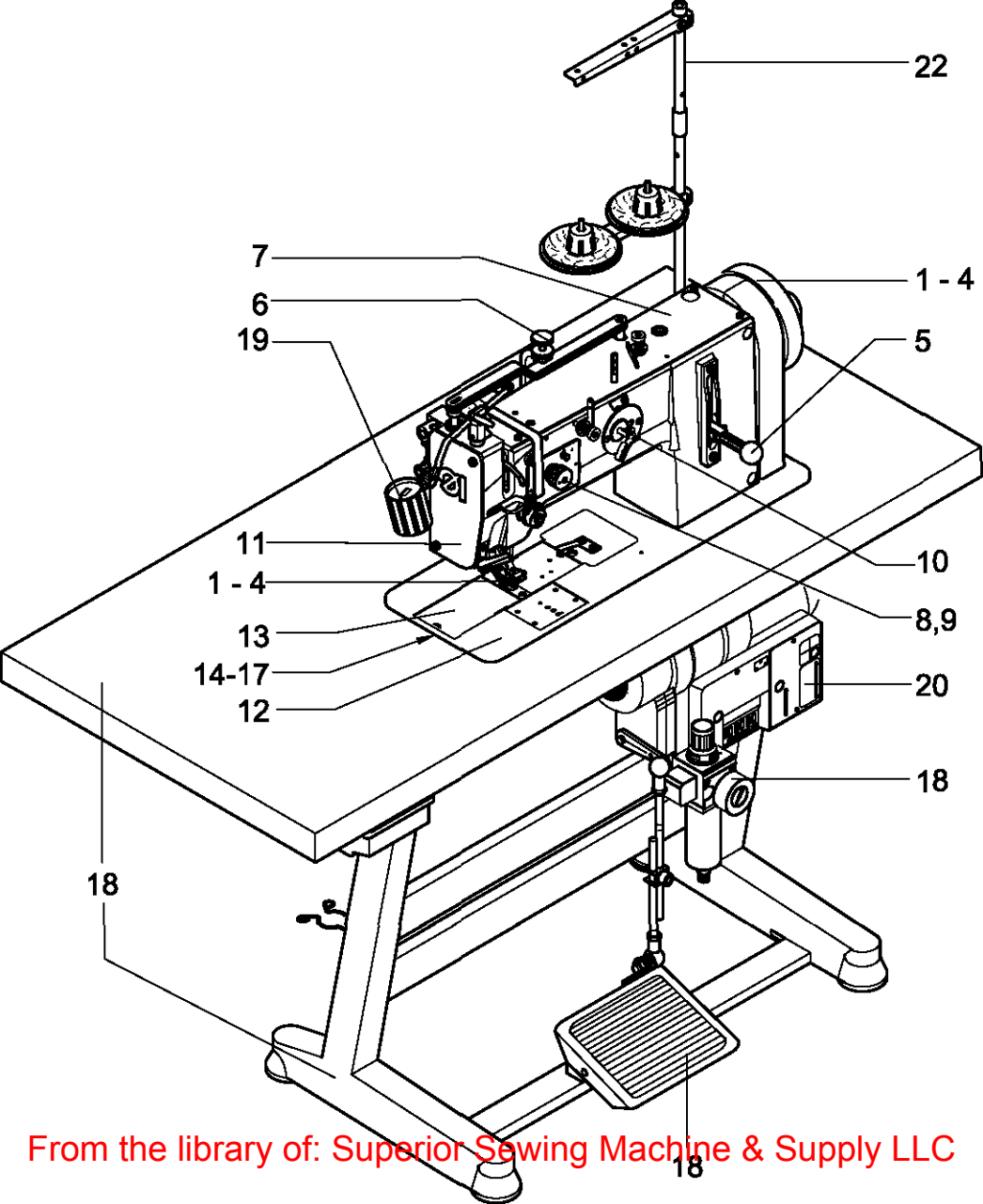
All rights reserved.

Property of Dürkopp Adler and copyrighted. Reproduction or publication of the content in any manner, even in extracts, without prior written permission of Dürkopp Adler, is prohibited.

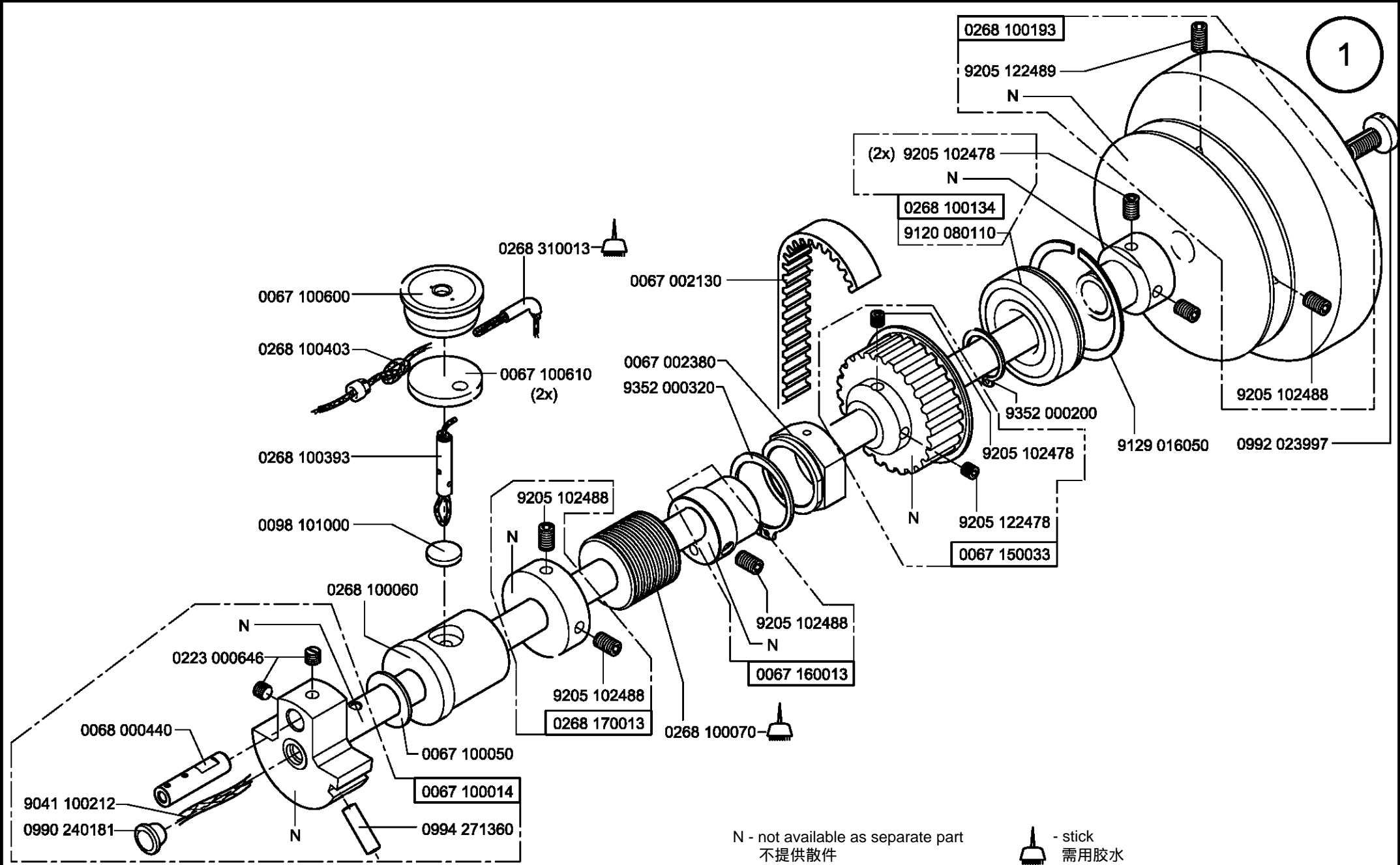
版权所有，不许翻印

版权和产权归杜克普爱华有限公司所有。未经杜克普爱华有限公司书面许可，禁止以任何方式翻印或复印本内容，包括摘要。


Copyright © **Dürkopp Adler - 2007**

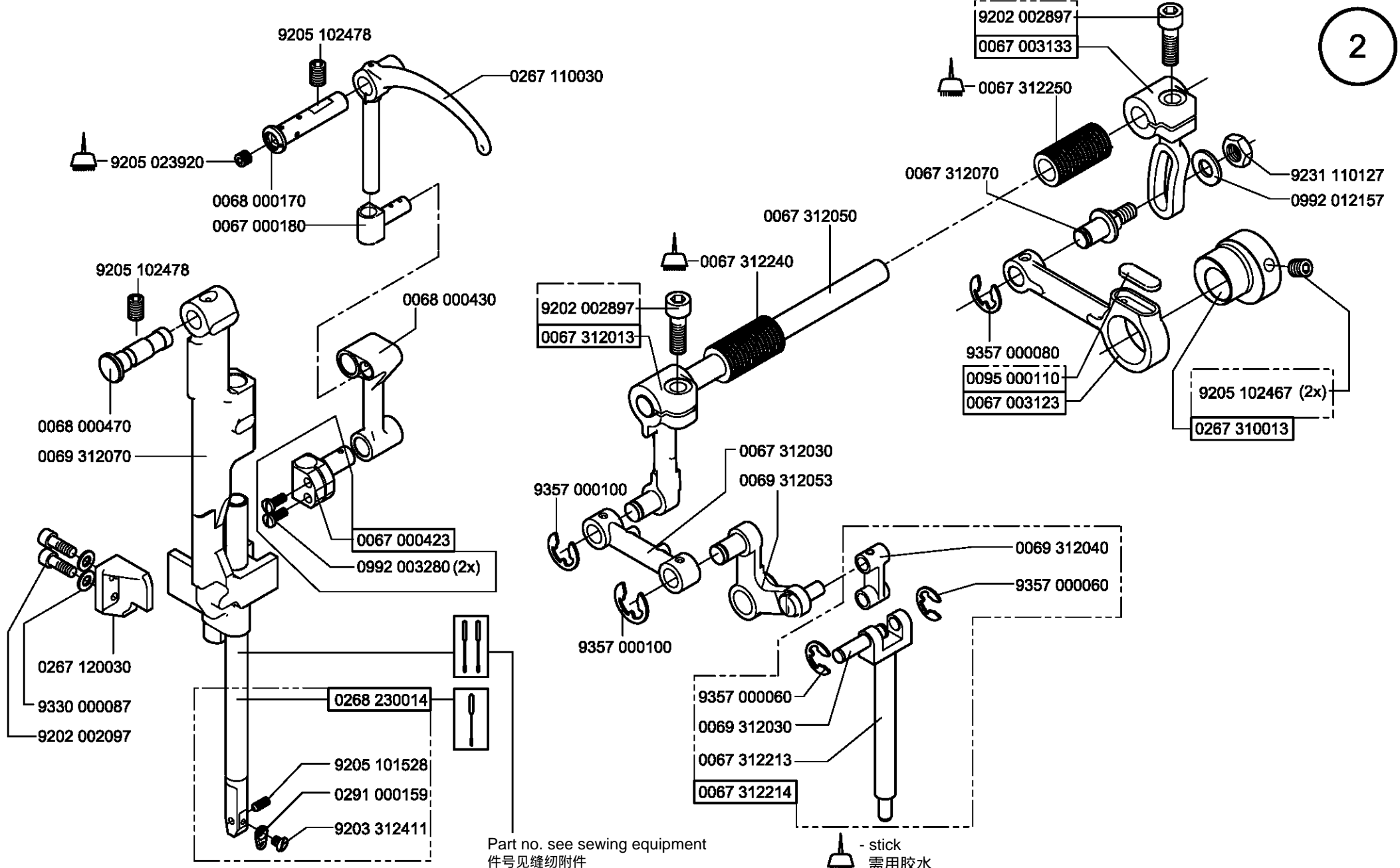


From the library of: Superior Sewing Machine & Supply LLC



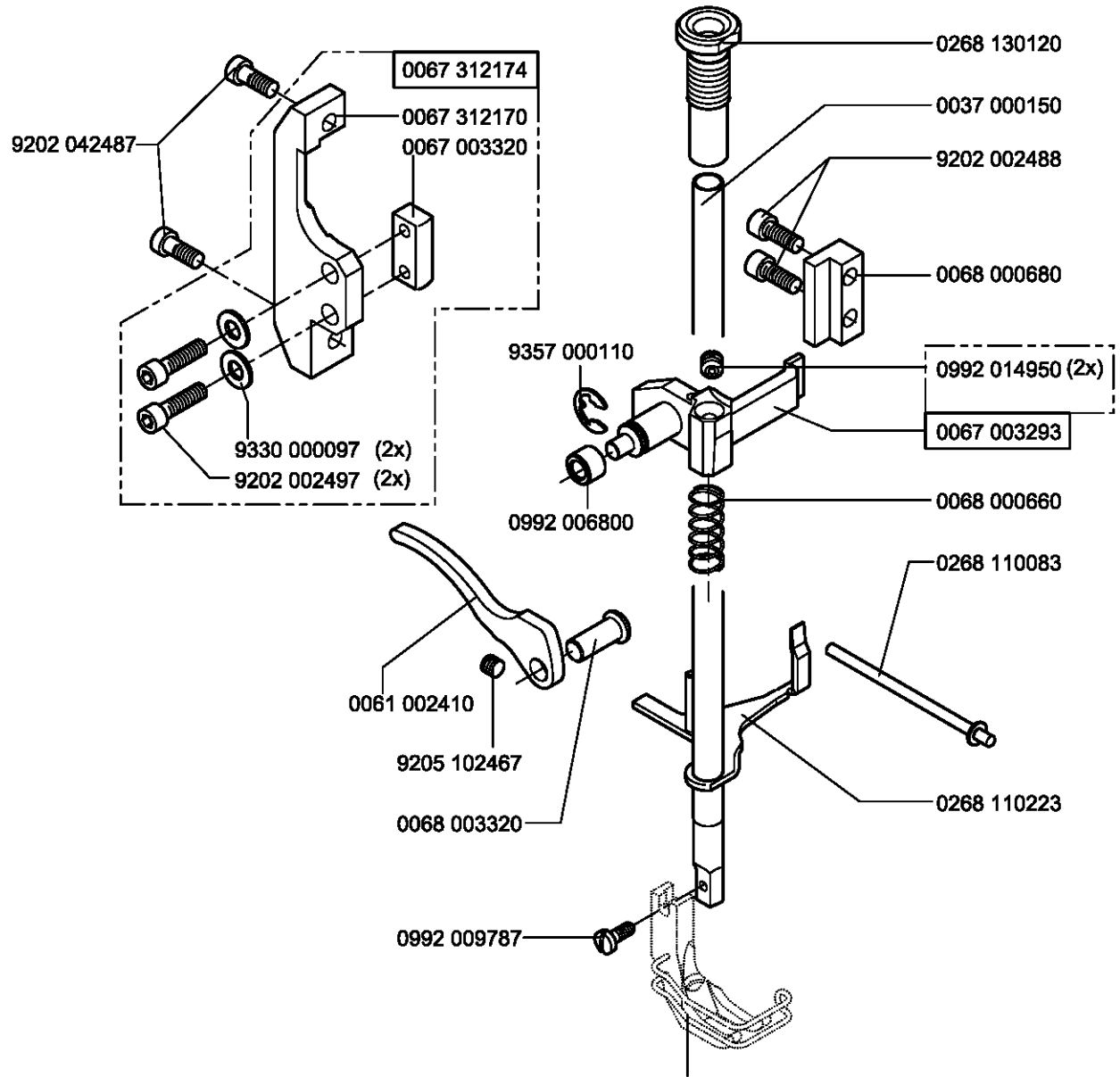
N - not available as separate part
 不提供散件

 - stick
 需用胶水

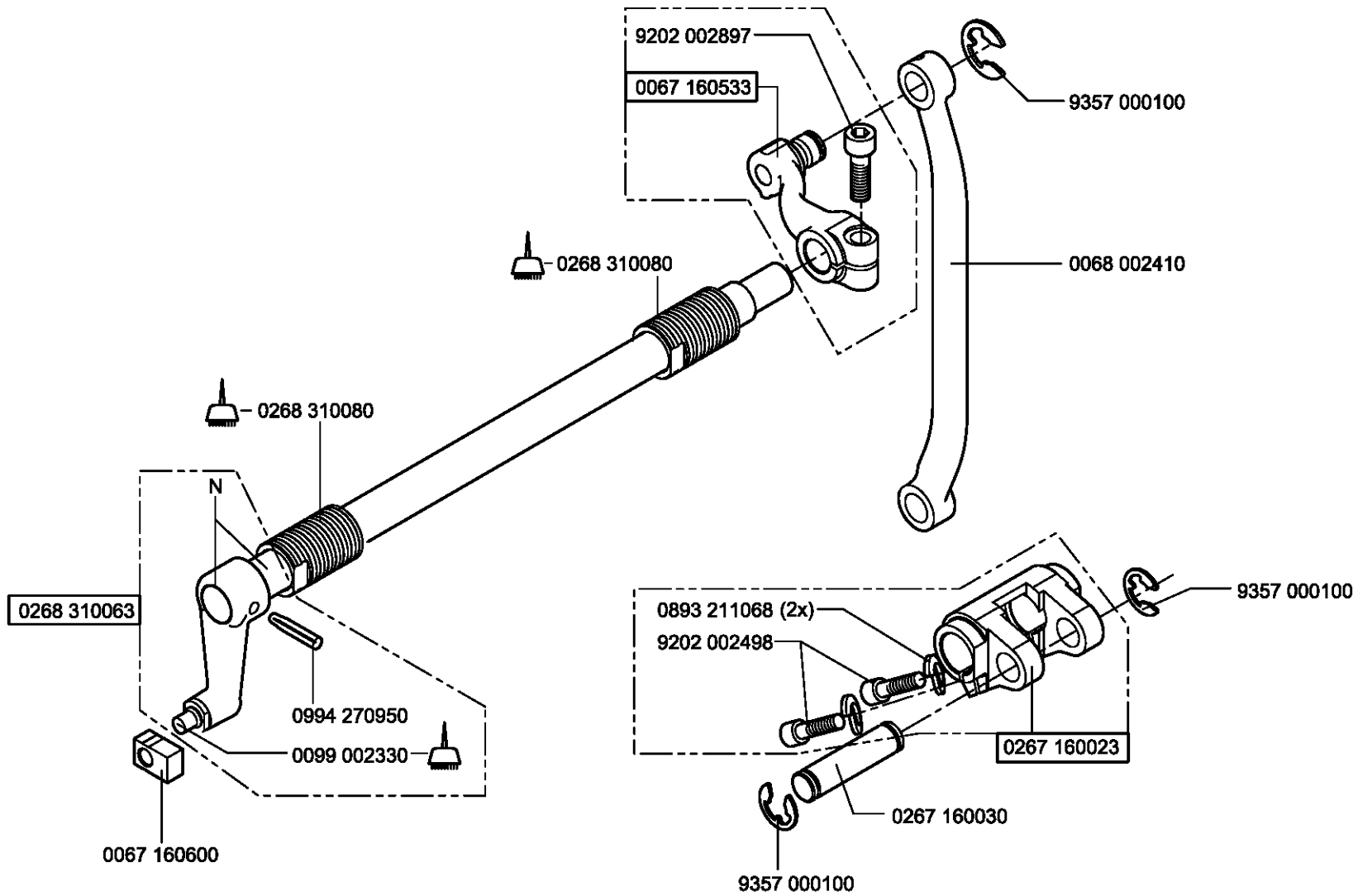


Part no. see sewing equipment
 件号见缝纫附件

- stick
 需用胶水

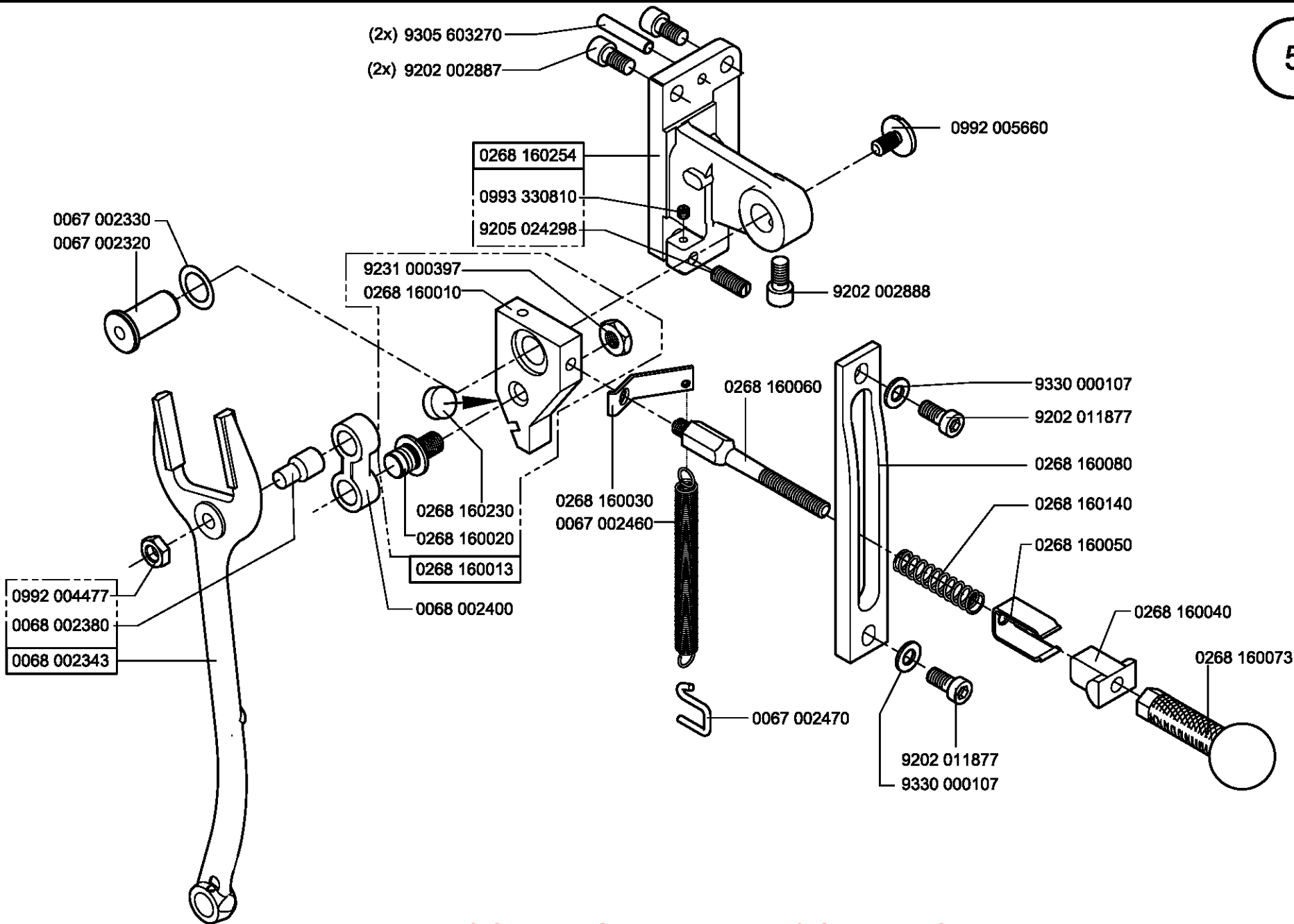


Part no. see sewing equipment
 件号见缝纫附件



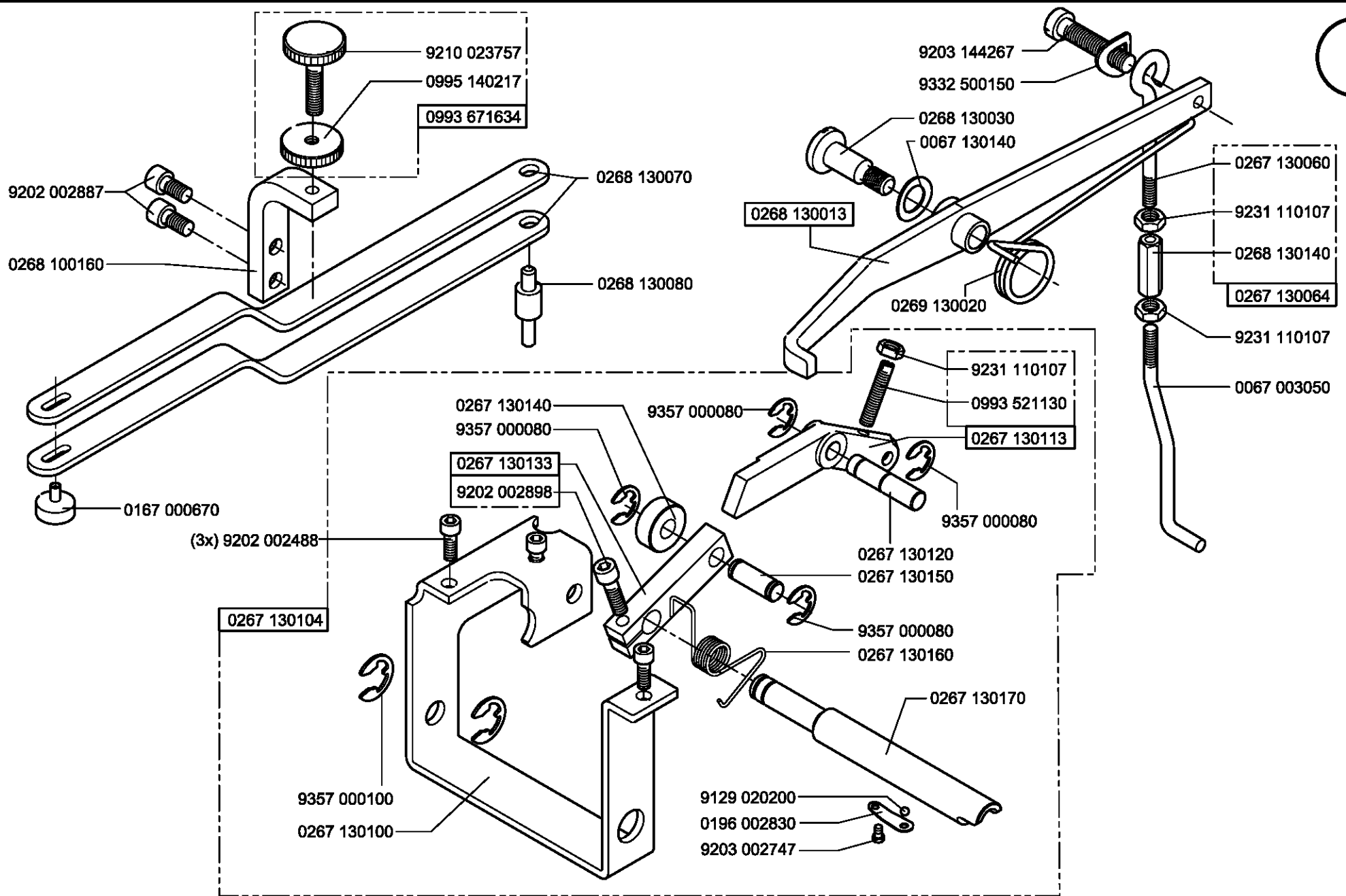
N - not available as separate part
不提供散件

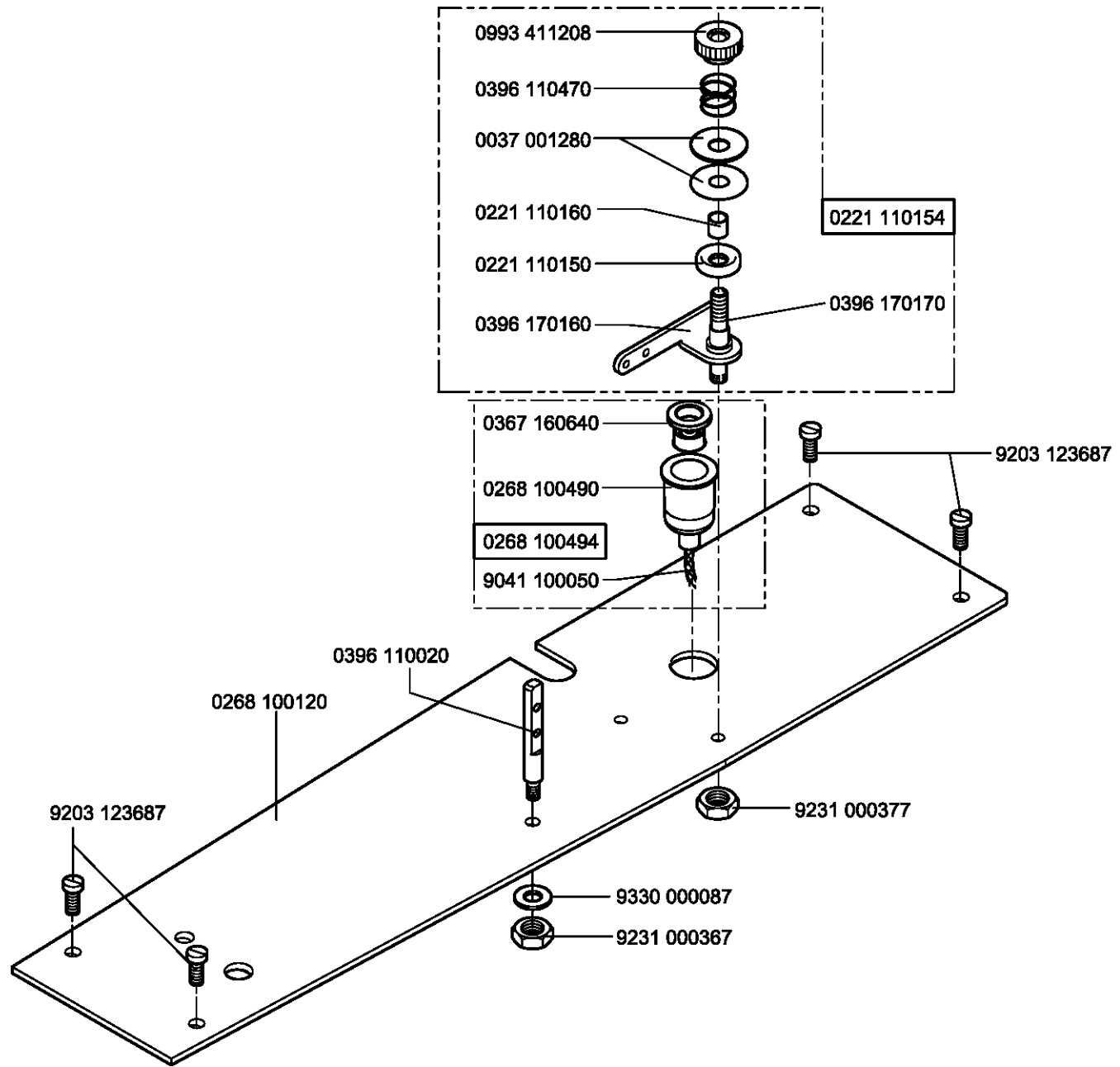
- stick
需用胶水

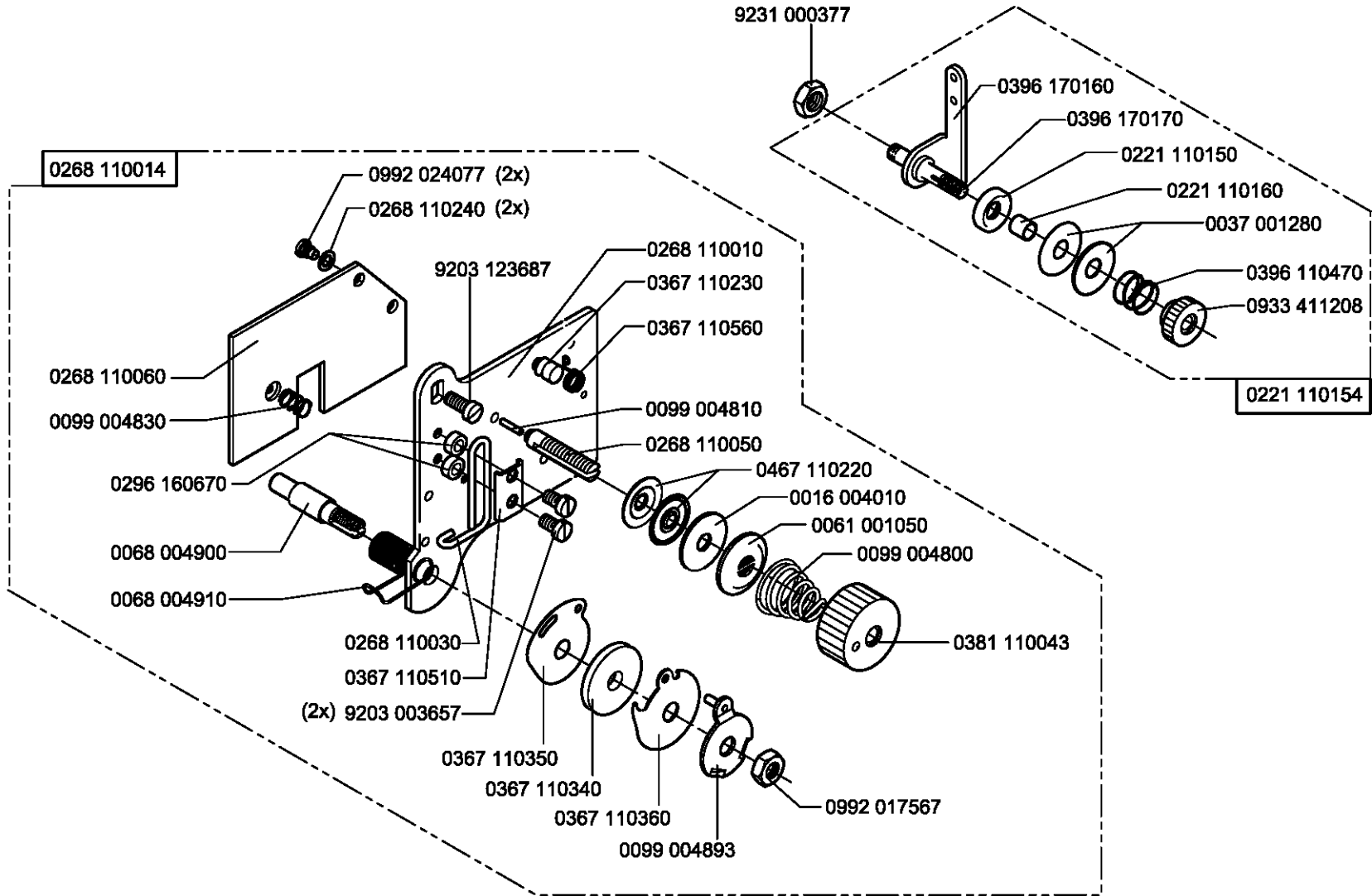


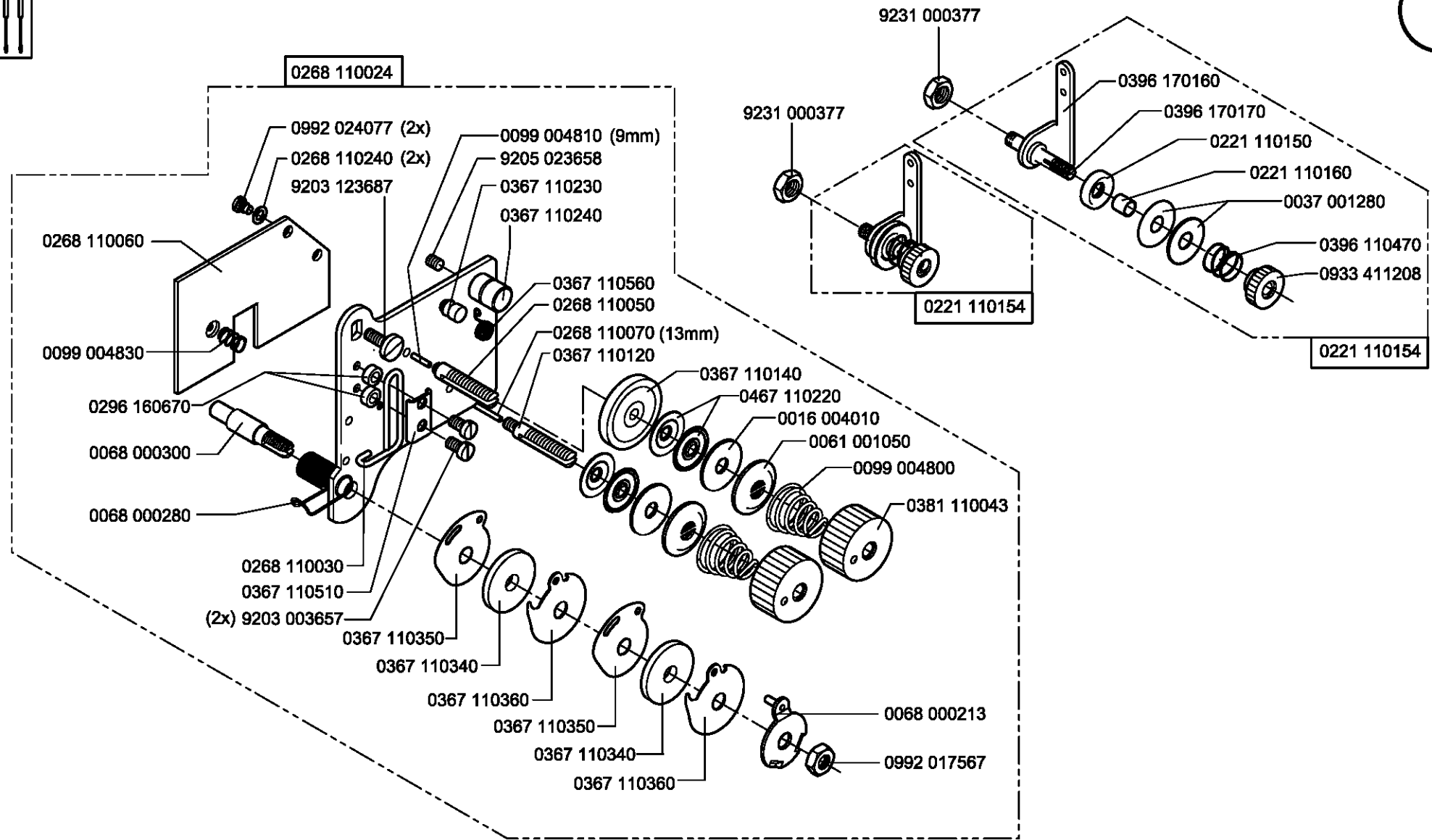
From the library of: Superior Sewing Machine & Supply LLC

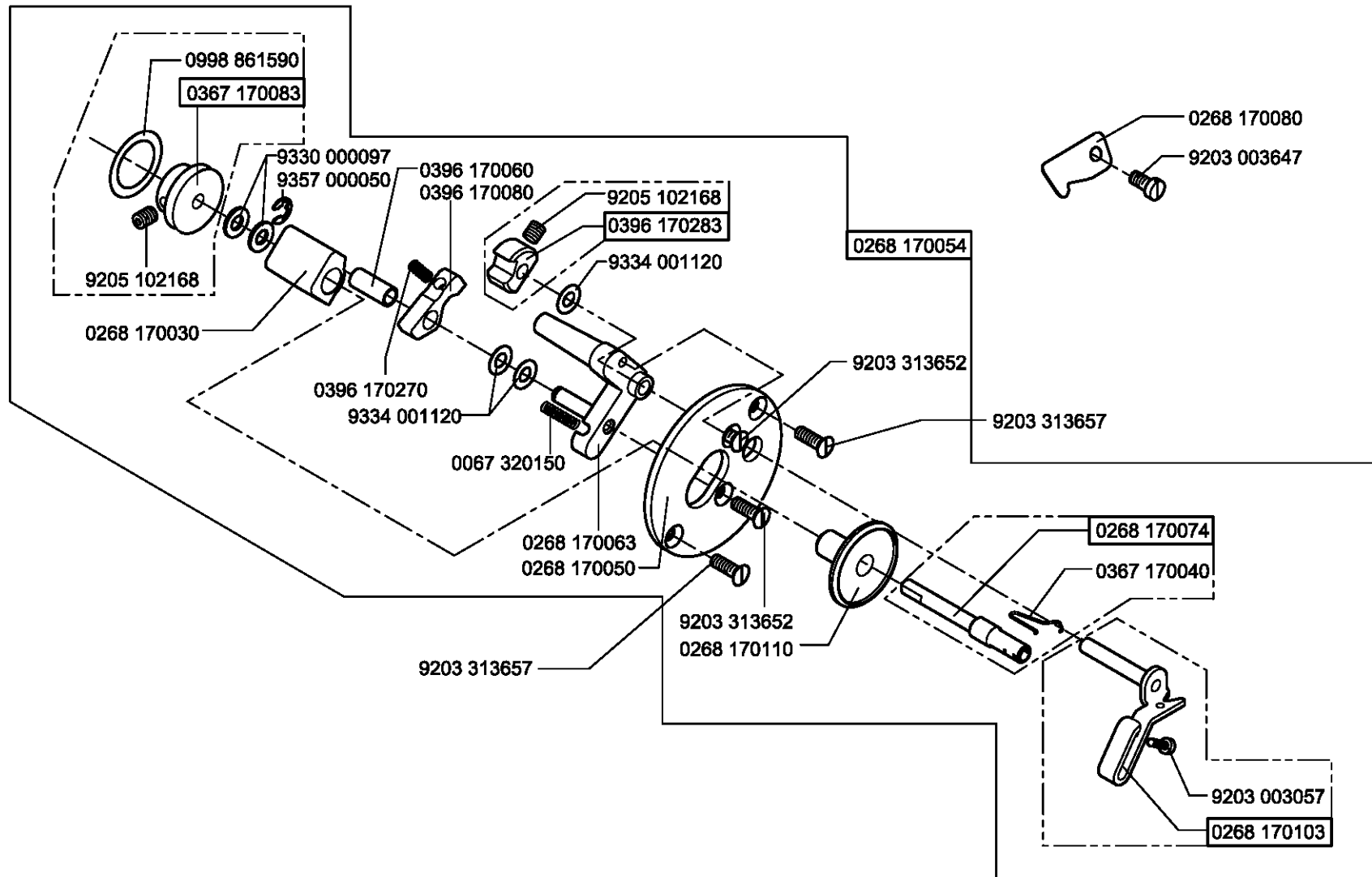
Cl. 267

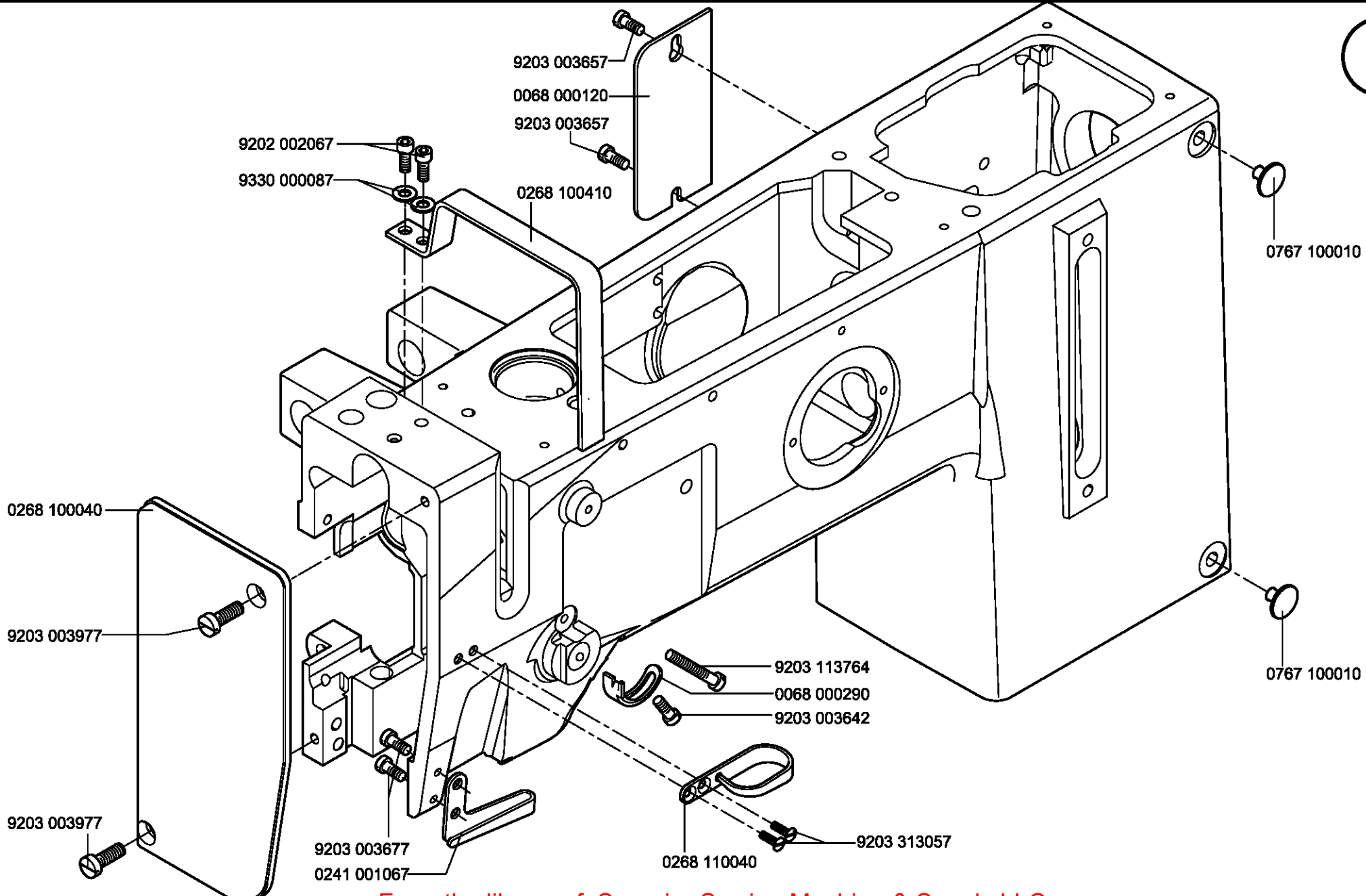




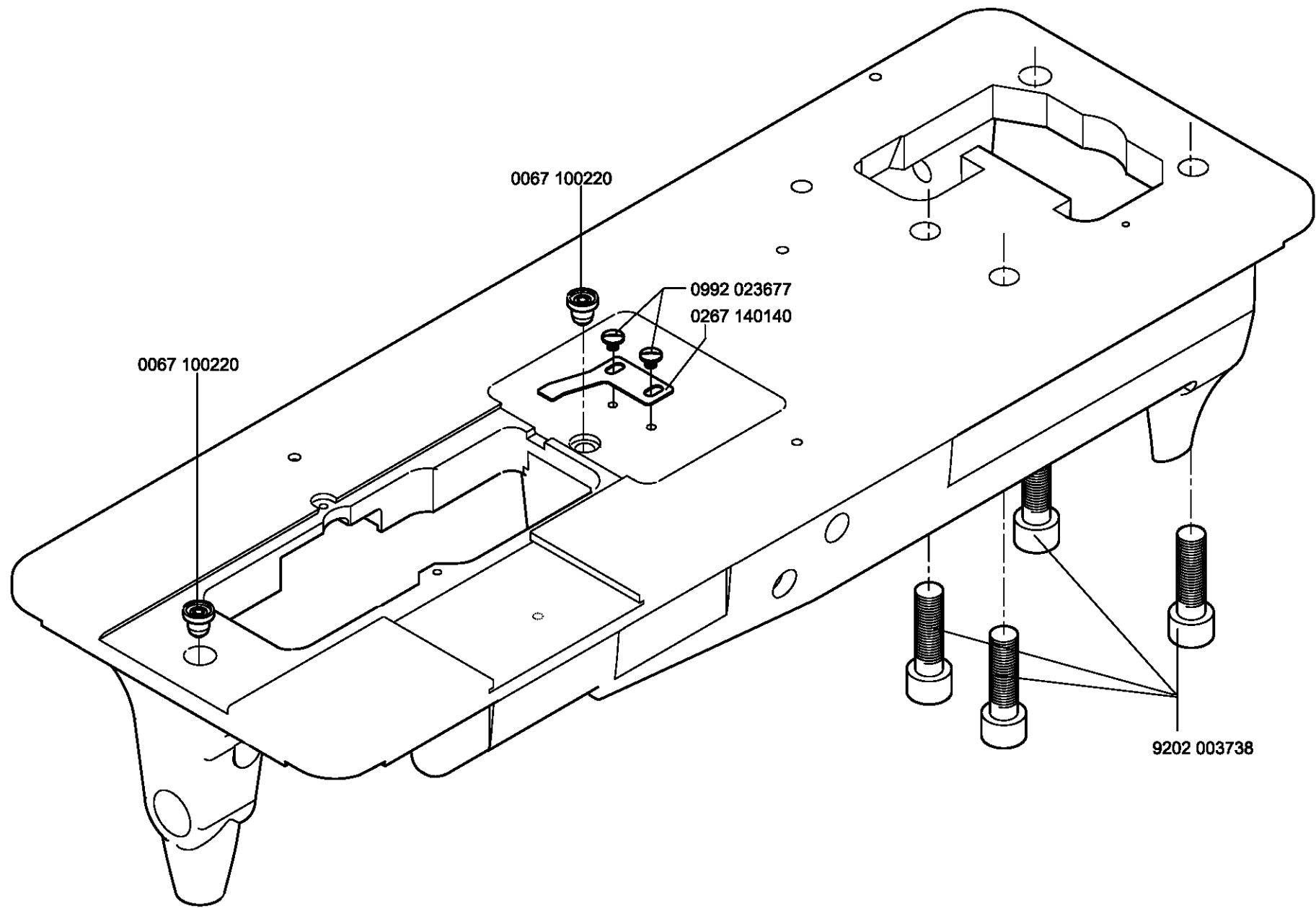


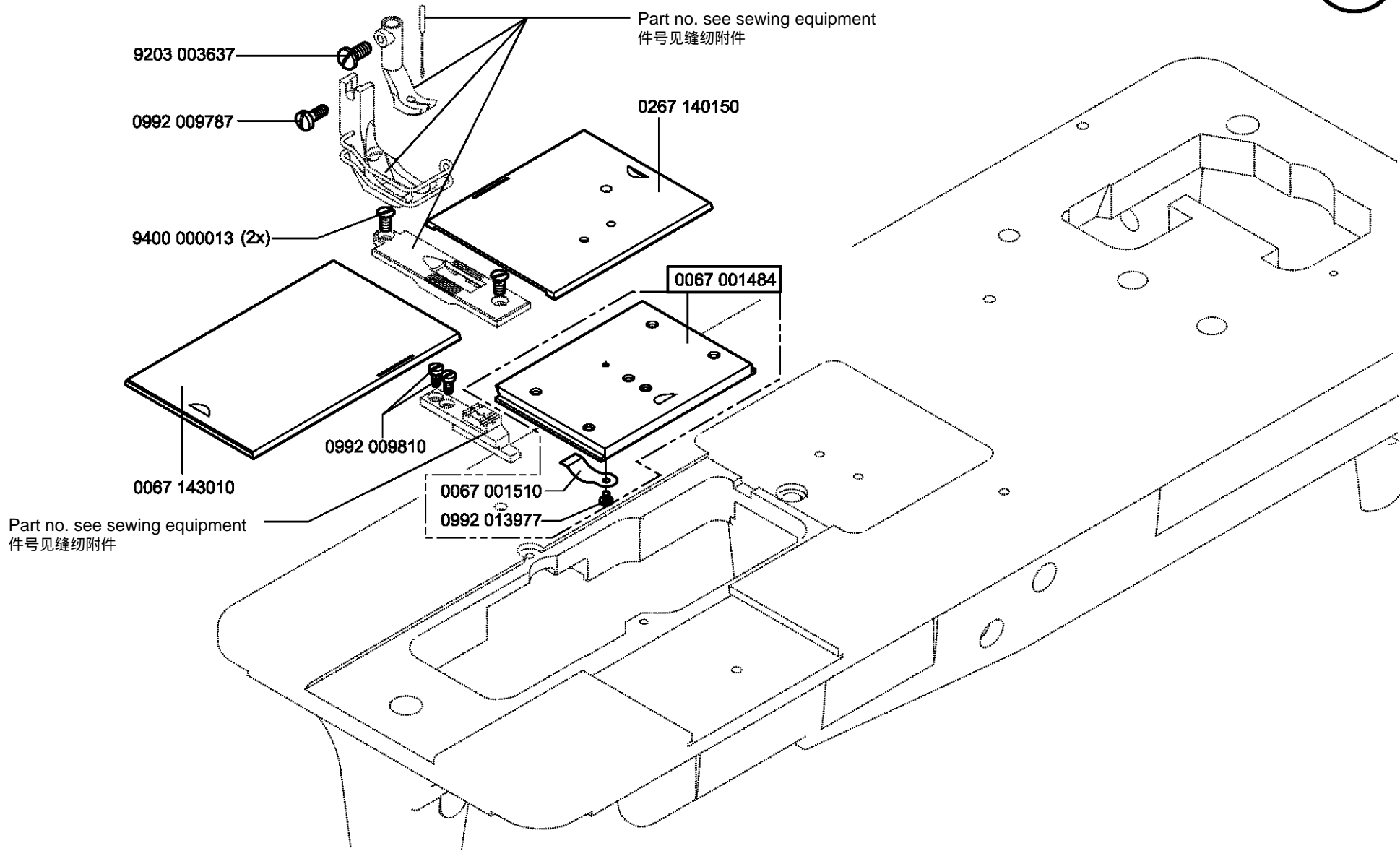


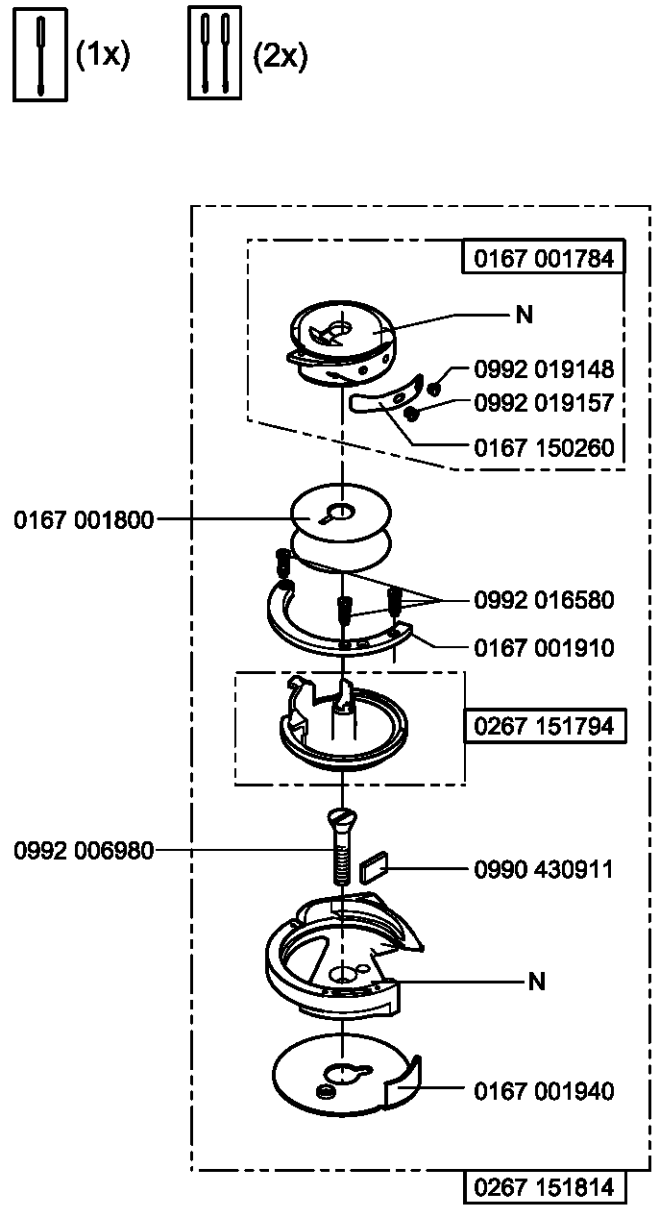
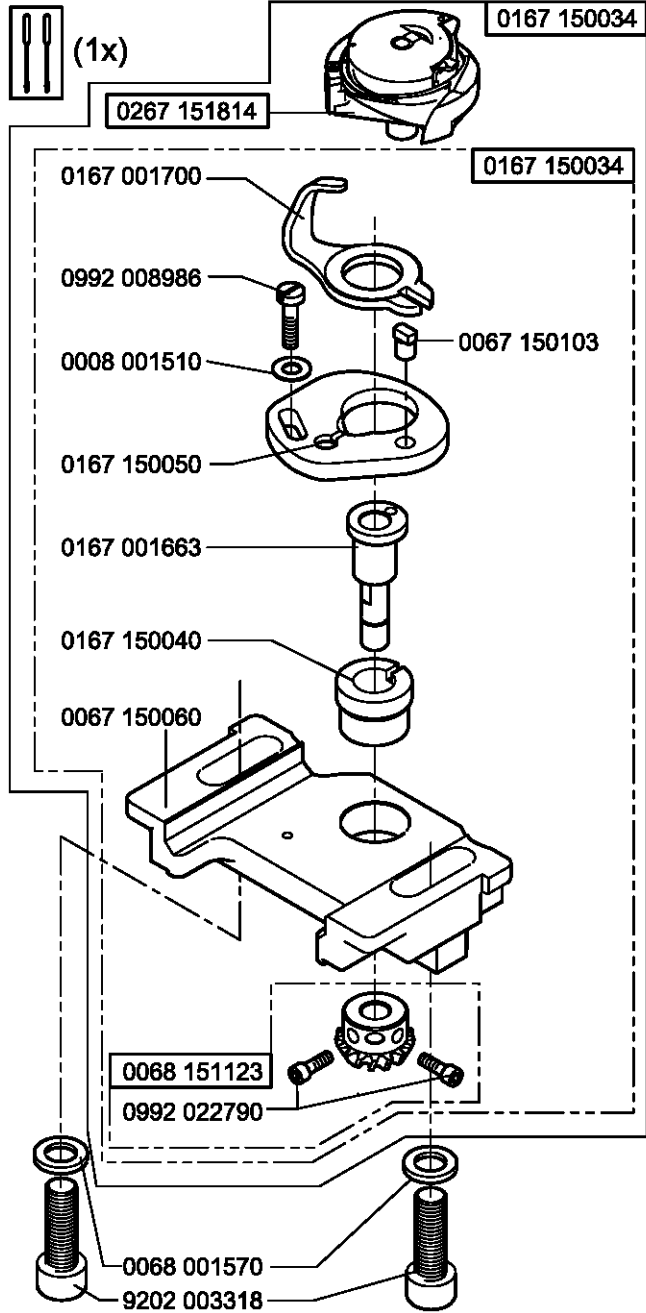




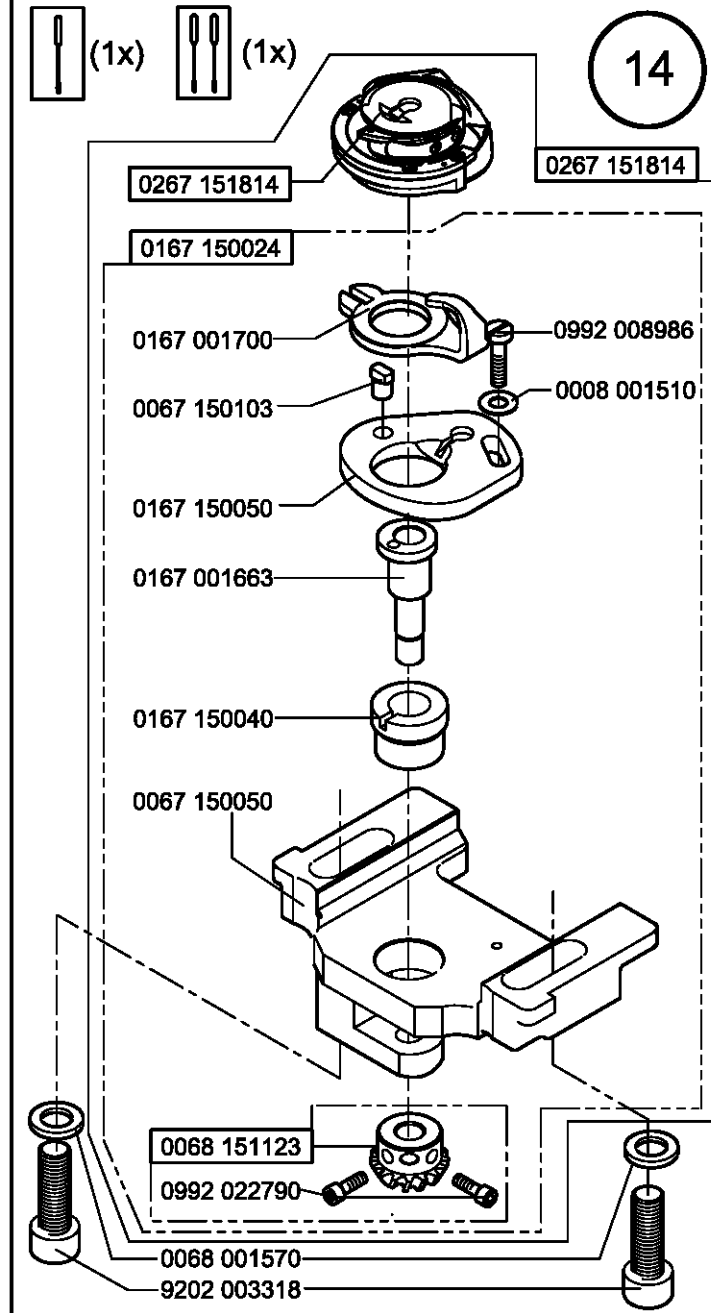
From the library of: Superior Sewing Machine & Supply LLC
Cl. 267

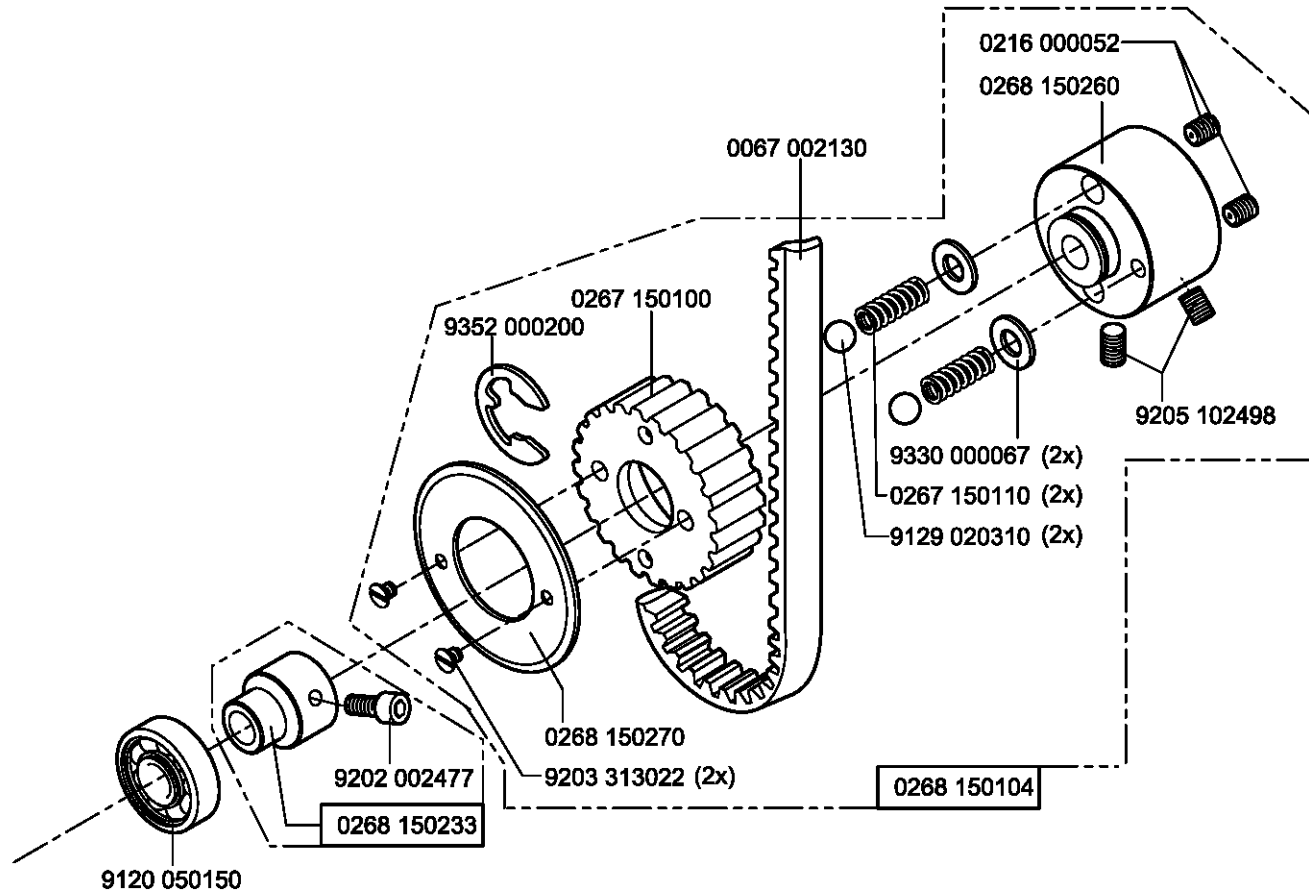


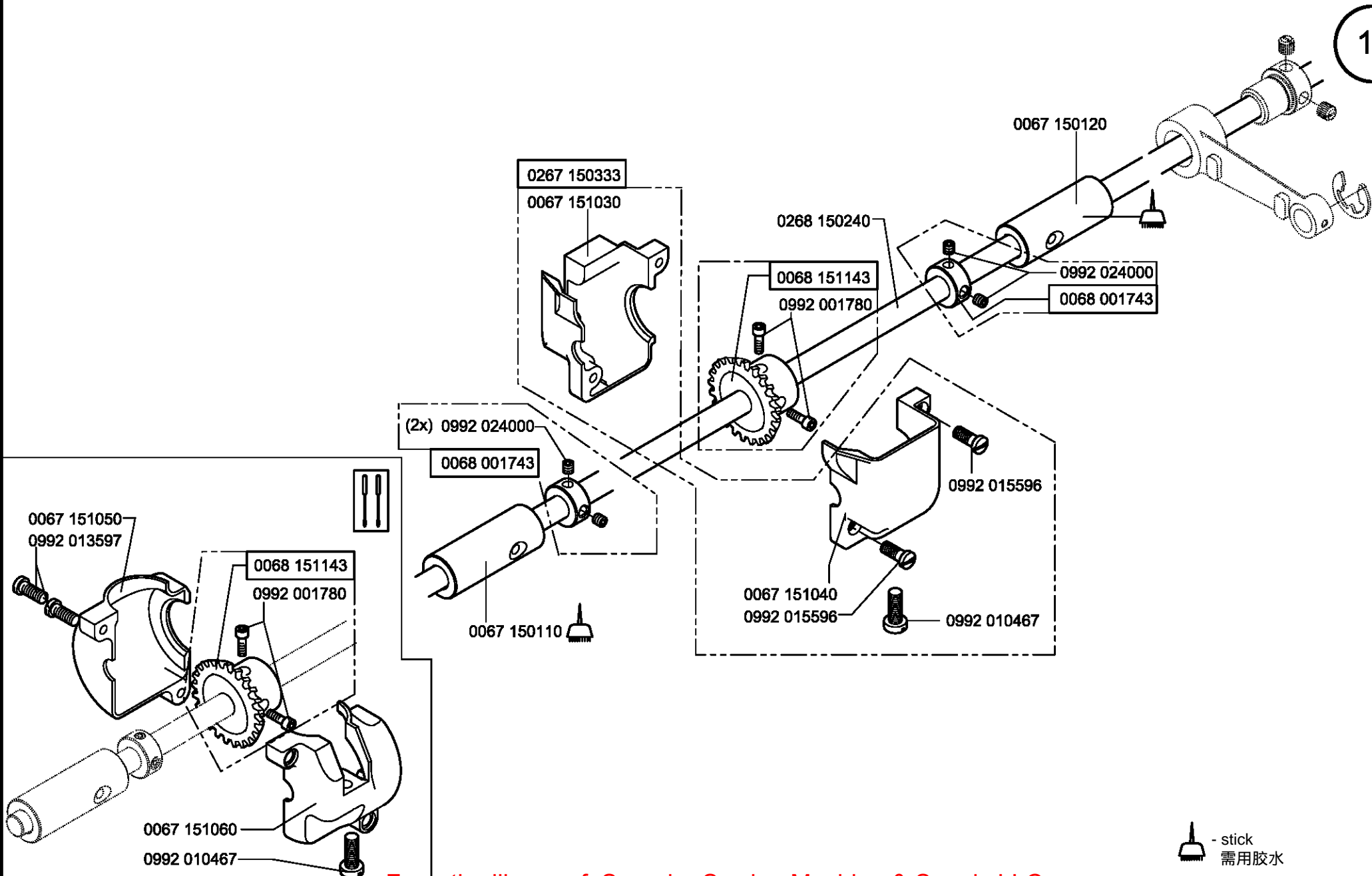




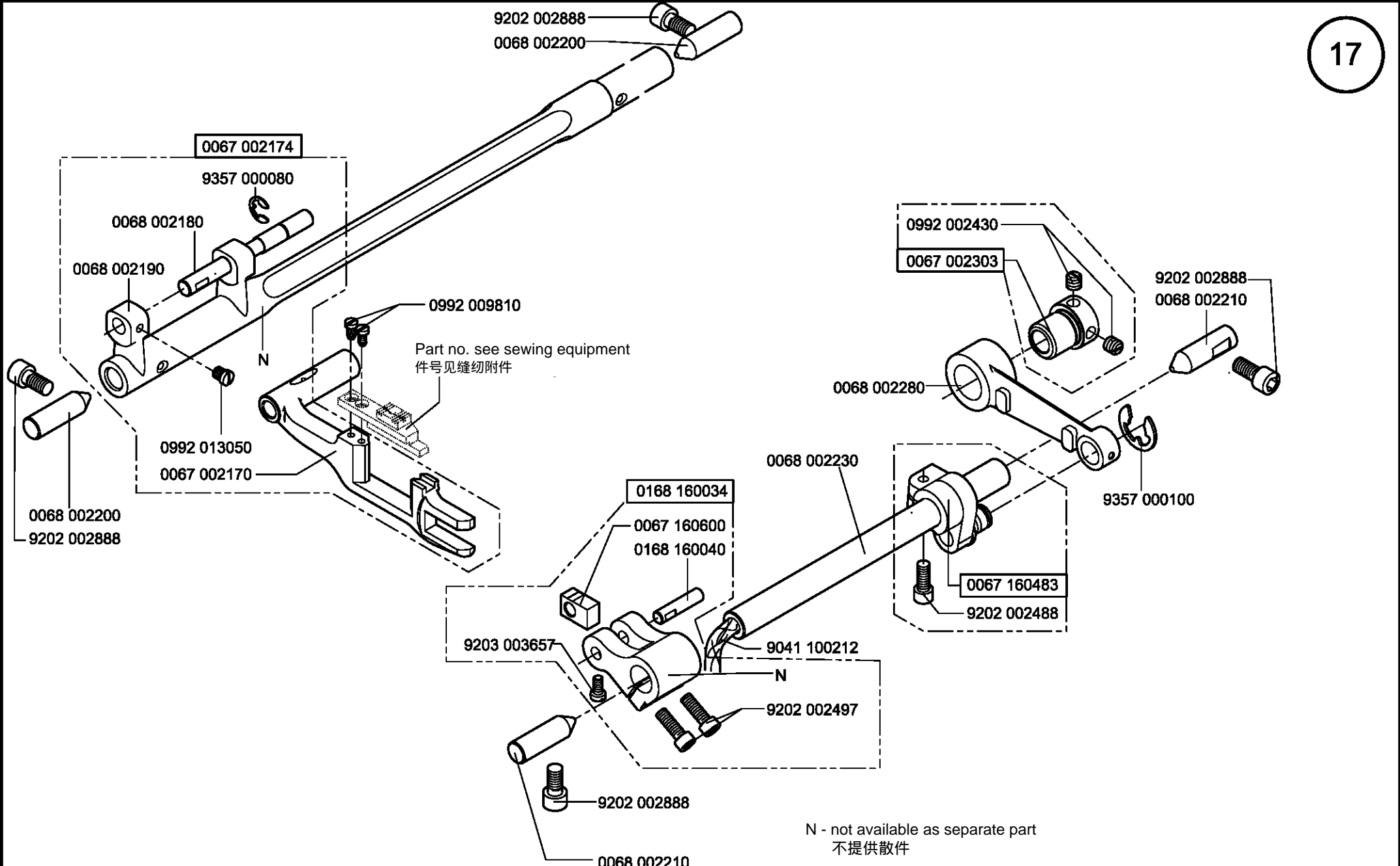
N - not available as separate part
不提供散件







- stick
需用胶水



N - not available as separate part
不提供散件

MG53 400134

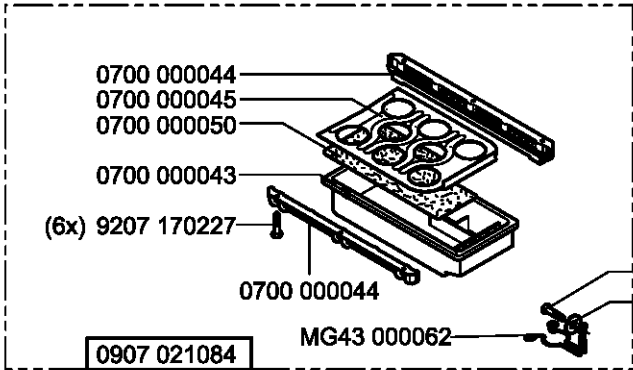
0907 010183

0100 010300

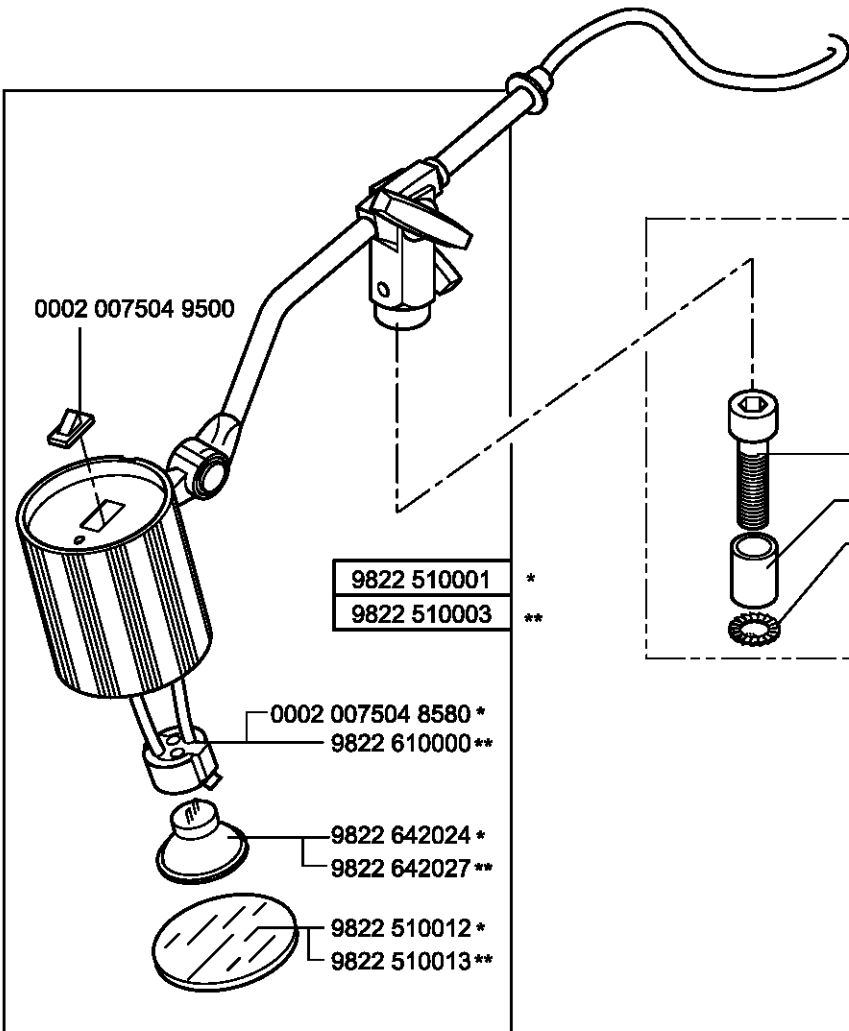
0100 010310

9330 000127
9206 200097

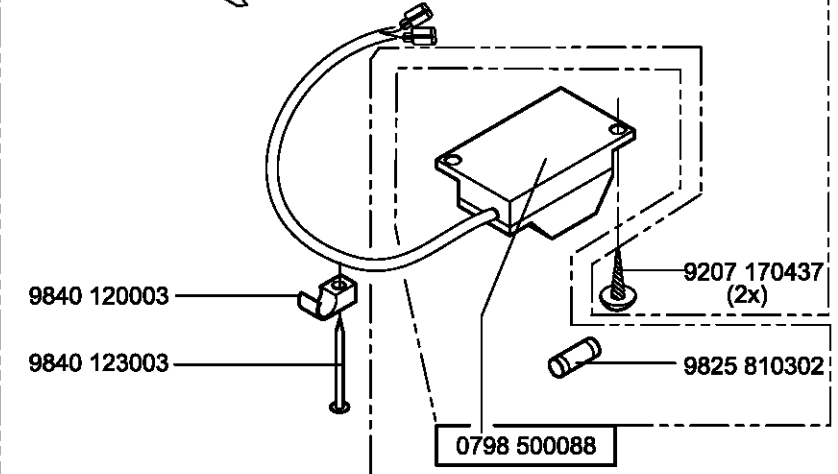
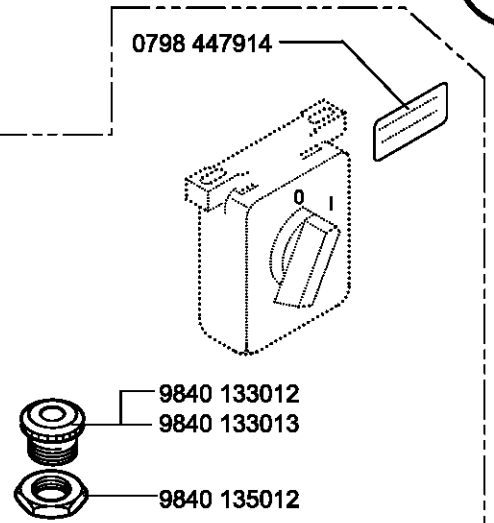
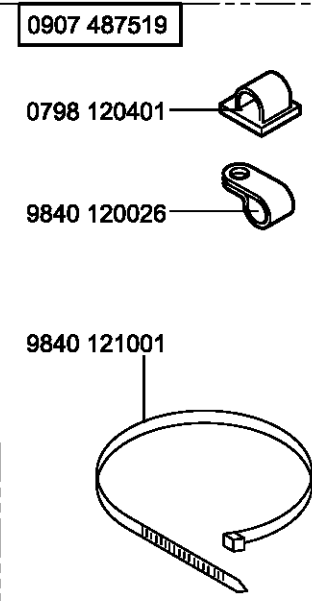
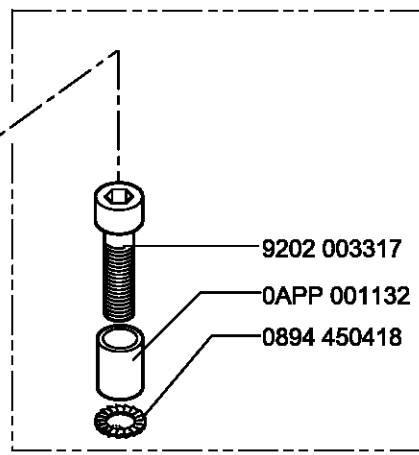
MG53 000501



MG53 002501

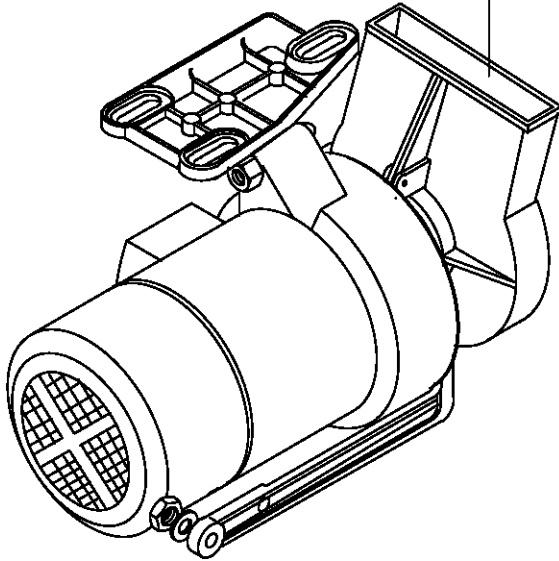


* - until 05.2007 (HP20) 用到2007.05
 ** - from 06.2007 (HIG 20 S) 从2007.06开始

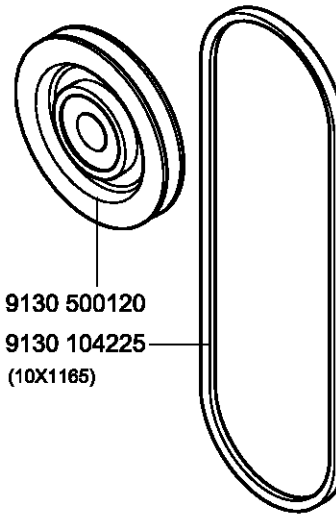


9800 110001 A FIR 1147-F..554.3 3x220/380-415V 50HZ

9800 360050

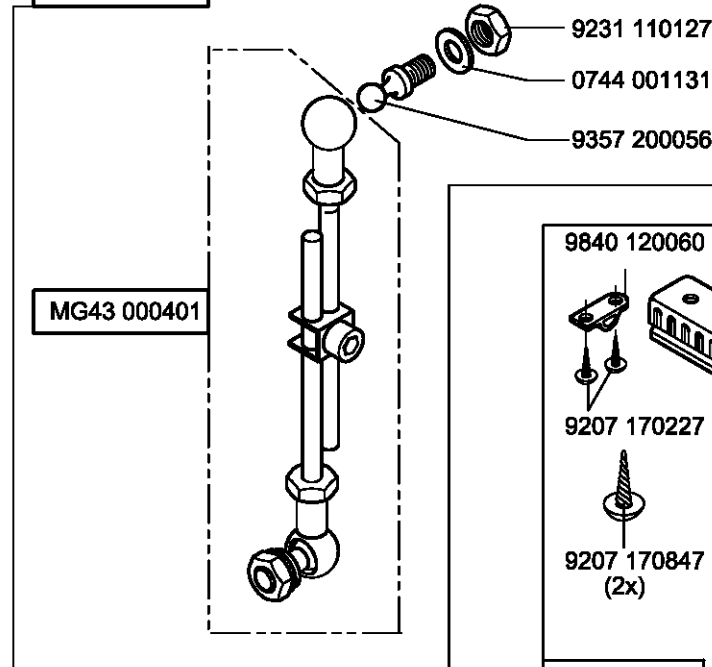


9889 026701 1



9130 500120
9130 104225
(10X1165)

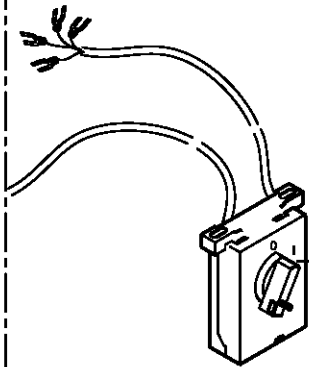
MG43 000410



9231 110127
0744 001131
9357 200056

MG43 000401

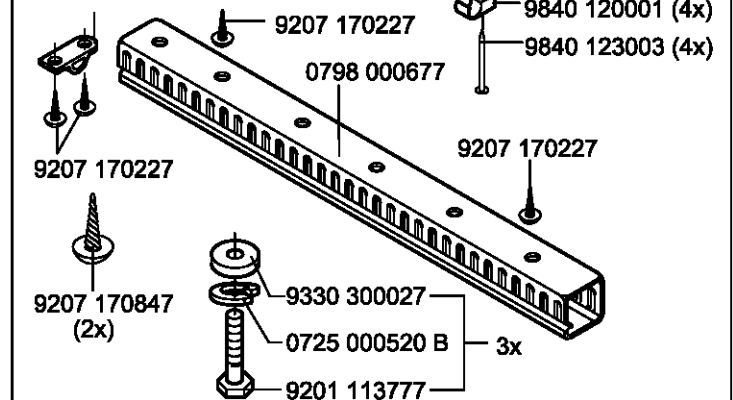
9870 001003



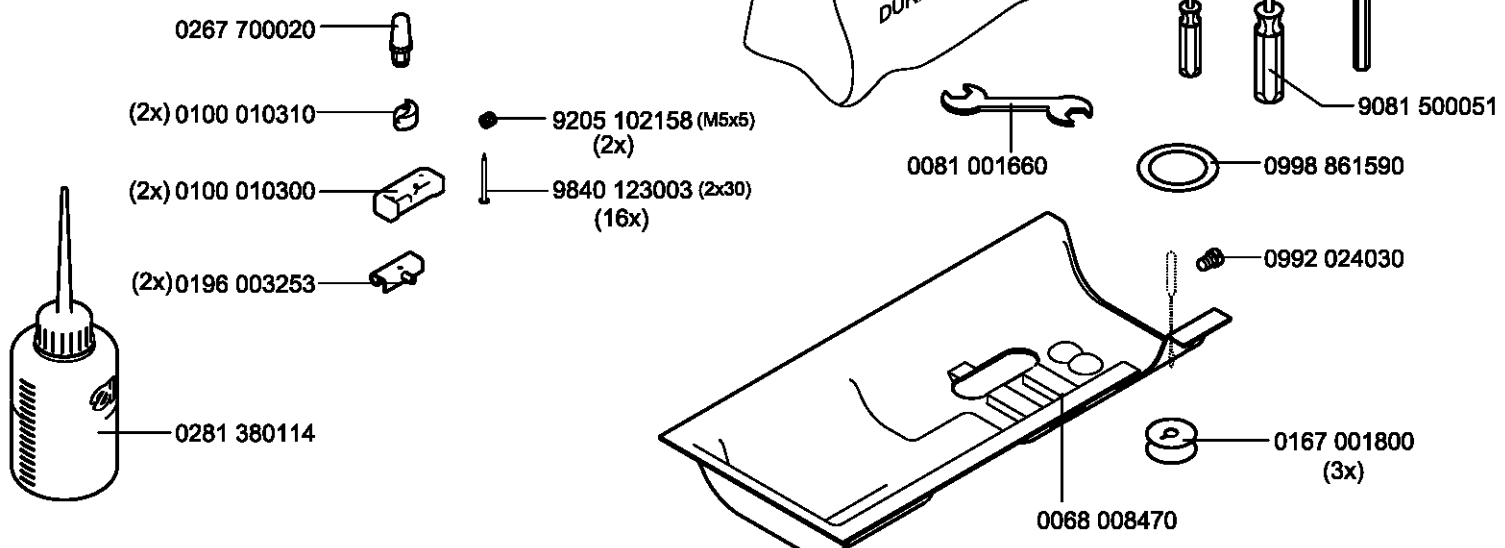
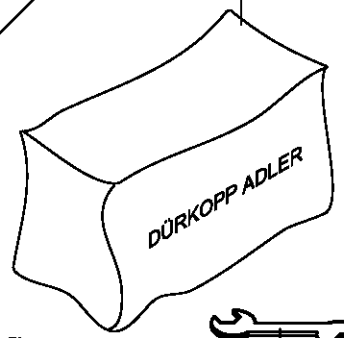
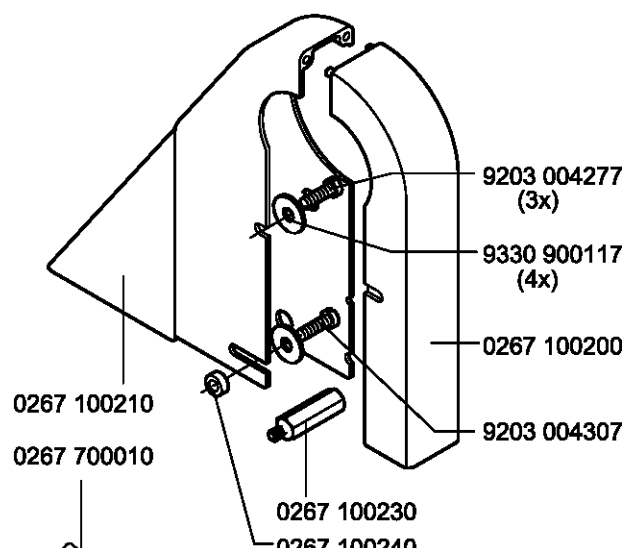
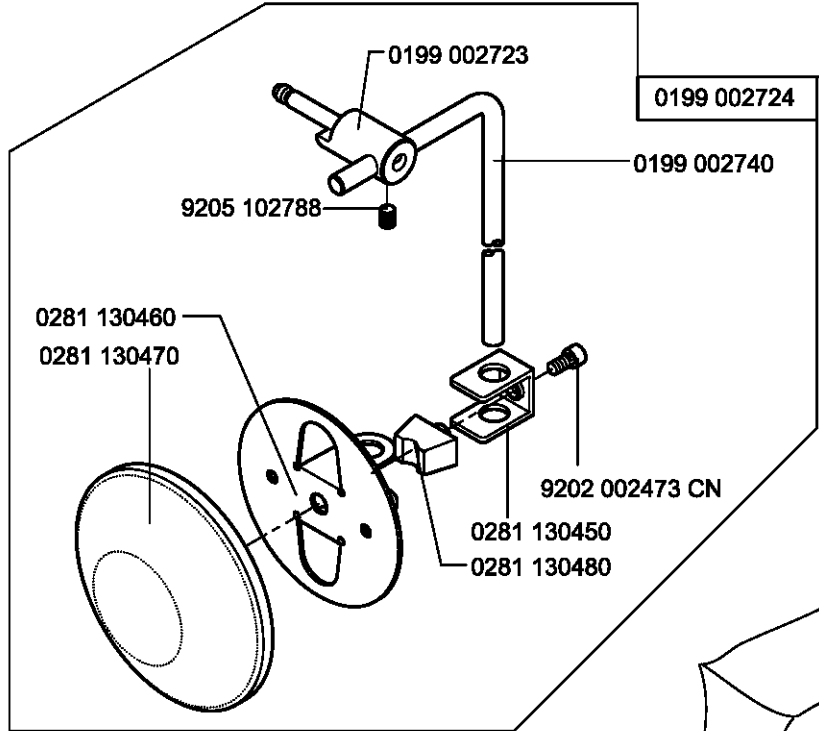
9840 133012
9840 135012

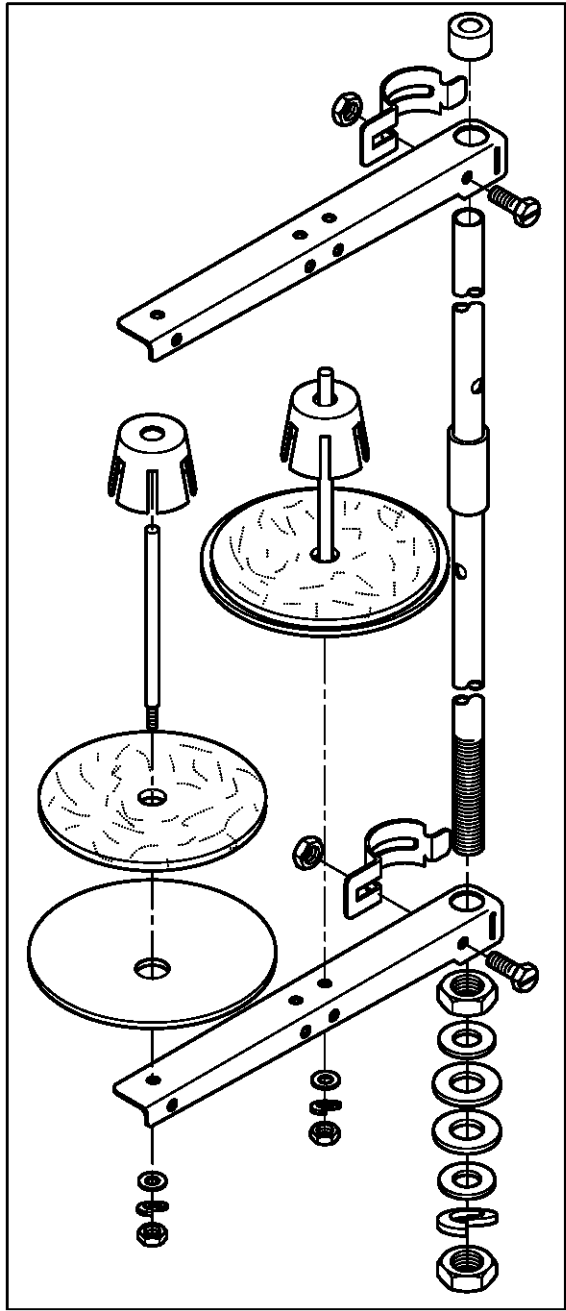
9815 580001

9840 120060

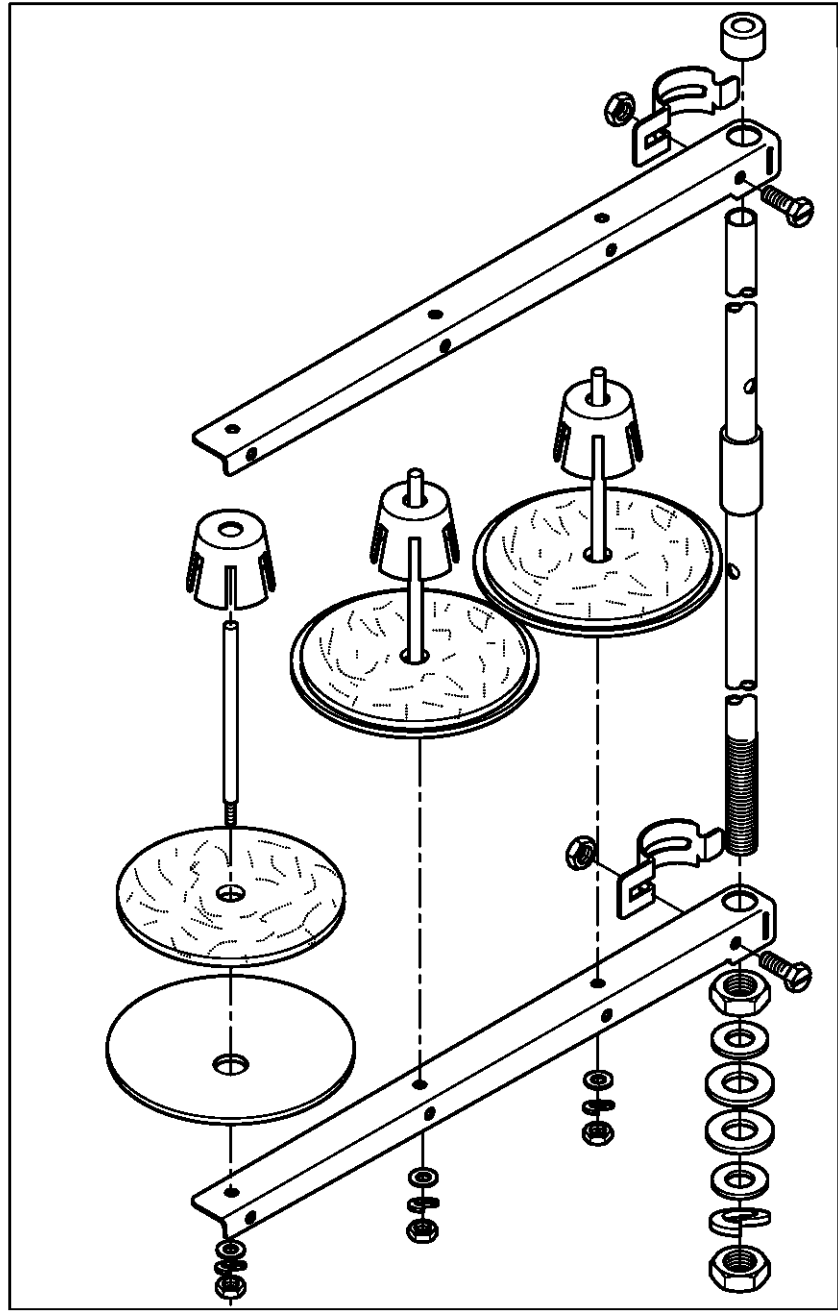
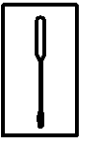


0907 030484

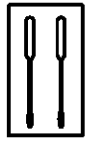




0281 700014



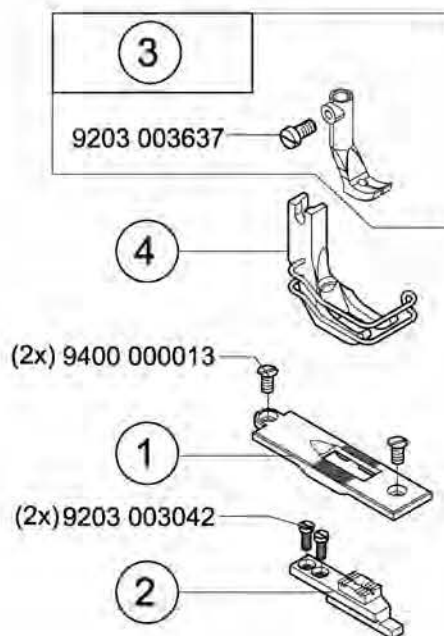
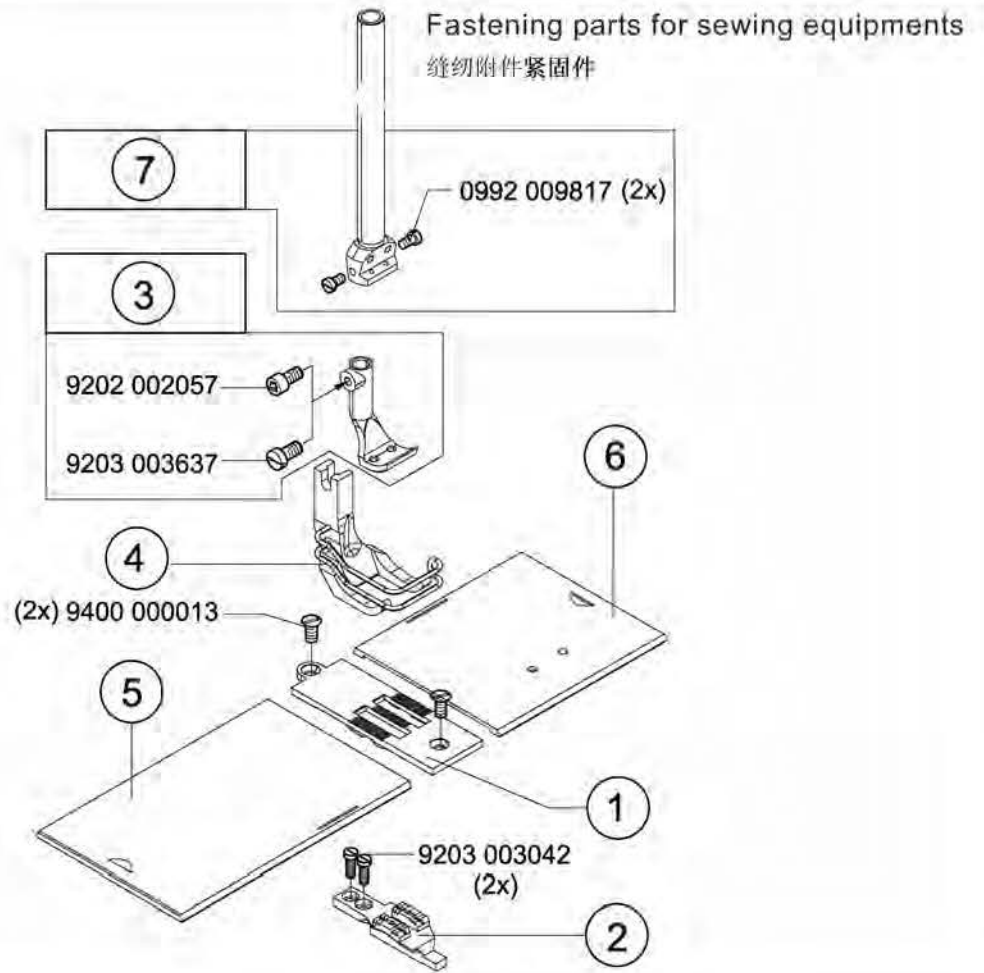
0791 267100



Part-No. / 件号	Table / 图表	Part-No. / 件号	Table / 图表	Part-No. / 件号	Table / 图表	Part-No. / 件号	Table / 图表
0002	007504 8580	19		0067	150060	14	
0002	007504 9500	19		0067	150103	14	
0008	001510	14		0067	150110	16	
0002	007504 8580	19		0067	150120	16	
0002	007504 9500	19		0067	151030	16	
0008	001510	14		0067	151040	16	
0016	004010	08, 09		0067	151050	16	
0037	000150	03		0067	151060	16	
0037	001280	07, 08, 09		0067	160013	01	
0061	001050	08, 09		0067	160483	17	
0061	002410	03		0067	160533	04	
0067	000180	02		0067	160600	04, 17	
0067	000423	02		0067	312013	02	
0067	001484	13		0067	312030	02	
0067	001510	13		0067	312050	02	
0067	002130	01, 15		0067	312070	02	
0067	002170	17		0067	312170	03	
0067	002174	17		0067	312174	03	
0067	002303	17		0067	312213	02	
0067	002320	05		0067	312214	02	
0067	002330	05		0067	312240	02	
0067	002380	01		0067	312250	02	
0067	002460	05		0067	320150	10	
0067	002470	05		0068	000120	11	
0067	003050	06		0068	000170	02	
0067	003123	02		0068	000213	09	
0067	003133	02		0068	000280	09	
0067	003293	03		0068	000290	11	
0067	003320	03		0068	000300	09	
0067	100014	01		0068	000430	02	
0067	100050	01		0068	000440	01	
0067	100220	12		0068	000470	02	
0067	100600	01		0068	000660	03	
0067	100610	01		0068	000680	03	
0067	130140	06		0068	001570	14	
0067	143010	13		0068	001743	16	
0067	150033	01		0068	002180	17	
0067	150050	14		0068	002190	17	
				0068	002200	17	
				0068	002210	17	
				0068	002230	17	
				0068	002280	17	
				0068	002343	05	
				0068	002380	05	
				0068	002400	05	
				0068	002410	04	
				0068	003320	03	
				0068	004900	08	
				0068	004910	08	
				0068	008470	21	
				0068	151123	14	
				0068	151143	16	
				0069	312030	02	
				0069	312040	02	
				0069	312053	02	
				0069	312070	02	
				0081	001660	21	
				0095	000110	02	
				0098	101000	01	
				0099	002330	04	
				0099	004800	08, 09	
				0099	004810	08, 09	
				0099	004830	08, 09	
				0099	004893	08	
				0100	010300	18, 21	
				0100	010310	18, 21	
				0167	000670	06	
				0167	001663	14	
				0167	001700	14	
				0167	001784	14	
				0167	001800	14, 21	
				0167	001910	14	
				0167	001940	14	
				0167	150024	14	
				0167	150034	14	
				0167	150040	14	
				0167	150050	14	
				0167	150050	14	
				0167	150260	14	
				0168	160034	17	
				0168	160040	17	
				0196	002830	06	
				0196	003253	21	
				0199	002723	21	
				0199	002724	21	
				0199	002740	21	
				0216	000052	15	
				0221	110150	07, 08, 09	
				0221	110154	07, 08, 09	
				0221	110160	07, 08, 09	
				0223	000646	01	
				0241	001067	11	
				0267	100010	11	
				0267	100200	21	
				0267	100210	21	
				0267	100230	21	
				0267	100240	21	
				0267	110030	02	
				0267	120030	02	
				0267	130060	06	
				0267	130064	06	
				0267	130100	06	
				0267	130104	06	
				0267	130113	06	
				0267	130120	06	
				0267	130133	06	
				0267	130140	06	
				0267	130150	06	
				0267	130160	06	
				0267	130170	06	
				0267	140080	12	
				0267	140140	12	
				0267	140150	13	
				0267	150100	15	
				0267	150110	15	

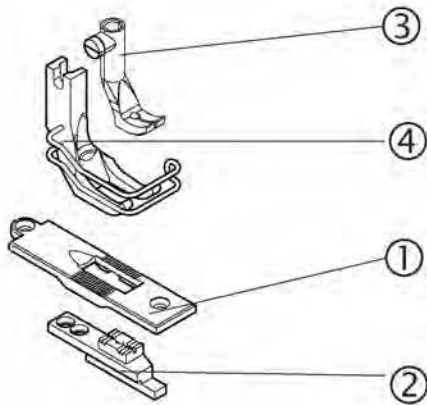
Part-No. / 件号	Table / 图表	Part-No. / 件号	Table / 图表	Part-No. / 件号	Table / 图表	Part-No. / 件号	Table / 图表
0267	150333	16		0268	150233	15	
0267	151794	14		0268	150240	16	
0267	151814	14		0268	150260	15	
0267	160023	04		0268	150270	15	
0267	160030	04		0268	160010	05	
0267	310013	02		0268	160013	05	
0267	700010	21		0268	160020	05	
0267	700020	21		0268	160030	05	
0268	100040	11		0268	160040	05	
0268	100060	01		0268	160050	05	
0268	100070	01		0268	160060	05	
0268	100120	07		0268	160073	05	
0268	100134	01		0268	160080	05	
0268	100160	06		0268	160140	05	
0268	100193	01		0268	160230	05	
0268	100393	01		0268	160254	05	
0268	100403	01		0268	170013	01	
0268	100410	11		0268	170030	10	
0268	100490	07		0268	170050	10	
0268	100494	07		0268	170054	10	
0268	110010	08		0268	170063	10	
0268	110014	08		0268	170074	10	
0268	110024	09		0268	170080	10	
0268	110030	08, 09		0268	170103	10	
0268	110040	11		0268	170110	10	
0268	110050	08, 09		0268	230014	02	
0268	110060	08, 09		0268	310013	01	
0268	110070	09		0268	310063	04	
0268	110083	03		0268	310080	04	
0268	110223	03		0269	130020	06	
0268	110240	08, 09		0281	130450	21	
0268	130013	06		0281	130460	21	
0268	130030	06		0281	130470	21	
0268	130070	06		0281	130480	21	
0268	130080	06		0281	380114	21	
0268	130120	03		0281	700014	22	
0268	130140	06		0291	000159	02	
0268	150104	15		0296	160670	08, 09	
				0367	110120	09	
				0367	110140	09	
				0367	110230	08, 09	
				0367	110240	09	
				0367	110340	08, 09	
				0367	110350	08, 09	
				0367	110360	08, 09	
				0367	110510	08, 09	
				0367	110560	08, 09	
				0367	160640	07	
				0367	170040	10	
				0367	170083	10	
				0381	110043	08, 09	
				0396	110020	07	
				0396	110470	07, 08, 09	
				0396	170060	10	
				0396	170080	10	
				0396	170160	07, 08, 09	
				0396	170170	07, 08, 09	
				0396	170270	10	
				0396	170283	10	
				0467	110220	08, 09	
				0700	000043	18	
				0700	000044	18	
				0700	000045	18	
				0700	000050	18	
				0725	000520 B	20	
				0744	001131	20	
				0767	100010	11	
				0791	267100	22	
				0798	000677	20	
				0798	120401	19	
				0798	447914	19	
				0798	500088	19	
				0893	211068	04	
				0894	450418	19	
				0907	010183	18	
				0907	021084	18	
				0907	030484	20	
				0907	487519	19	
				0933	411208	08, 09	
				0990	240181	01	
				0990	430911	14	
				0992	001780	16	
				0992	002430	17	
				0992	003280	02	
				0992	004477	05	
				0992	005660	05	
				0992	006800	03	
				0992	006980	14	
				0992	008986	14	
				0992	009787	03, 13	
				0992	009810	13, 17	
				0992	010467	16	
				0992	012157	02	
				0992	013050	17	
				0992	013597	16	
				0992	013977	13	
				0992	014950	03	
				0992	015596	16	
				0992	016580	14	
				0992	017567	08, 09	
				0992	019148	14	
				0992	019157	14	
				0992	022790	14	
				0992	023677	12	
				0992	023997	01	
				0992	024000	16	
				0992	024030	21	
				0992	024077	08, 09	
				0993	330810	05	
				0993	411208	07	
				0993	521130	06	
				0993	671634	06	
				0994	270950	04	
				0994	271360	01	

Part-No. / 件号	Table / 图表	Part-No. / 件号	Table / 图表	Part-No. / 件号	Table / 图表	Part-No. / 件号	Table / 图表
0995 140217	06	9203 003677	11	9330 000087	02, 07, 11	9870 001003	20
0998 861590	10, 21	9203 003977	11	9330 000097	03, 10	9889 026701 1	20
0APP 001132	19	9203 004277	21	9330 000107	05	MG43 000062	18
9041 100050	07	9203 004307	21	9330 000127	18	MG43 000401	20
9041 100212	01, 17	9203 113764	11	9330 300027	20	MG43 000410	20
9081 100251	21	9203 123687	07, 08, 09	9330 900117	18, 21	MG53 000501	18
9081 500010	21	9203 144267	06	9332 500150	06	MG53 002501	18
9081 500051	21	9203 312411	02	9334 001120	10	MG53 400134	18
9120 050150	15	9203 313022	15	9352 000200	01, 15		
9120 080110	01	9203 313057	11	9352 000320	01		
9129 016050	01	9203 313652	10	9357 000050	10		
9129 020200	06	9203 313657	10	9357 000060	02		
9129 020310	15	9205 023658	09	9357 000080	02, 06, 17		
9130 104225	20	9205 023920	02	9357 000100	02, 04, 06, 17		
9130 500120	20	9205 024298	05	9357 000110	03		
9201 113777	20	9205 101528	02	9357 200056	20		
9202 002067	11	9205 102158	21	9400 000013	13		
9202 002097	02	9205 102168	10	9800 110001 A	20		
9202 002473 CN	21	9205 102467	02, 03	9800 360050	20		
9202 002477	15	9205 102478	01, 02	9815 580001	20		
9202 002488	03, 06, 17	9205 102488	01	9822 510001	19		
9202 002497	03, 17	9205 102498	15	9822 510003	19		
9202 002498	04	9205 102788	21	9822 510012	19		
9202 002887	05, 06	9205 122478	01	9822 510013	19		
9202 002888	05, 17	9205 122489	01	9822 610000	19		
9202 002897	02, 04	9206 200087	18	9822 642024	19		
9202 002898	06	9206 200097	18	9822 642027	19		
9202 003317	19	9207 170227	18, 20	9825 810302	19		
9202 003318	14	9207 170437	19	9840 120001 (4x)	20		
9202 003738	12	9207 170847	20	9840 120003	19		
9202 011877	05	9210 023757	06	9840 120026	19		
9202 042487	03	9231 000367	07	9840 120060	20		
9203 002747	06	9231 000377	07, 08, 09	9840 121001	19		
9203 003057	10	9231 000397	05	9840 123003	19, 21		
9203 003637	13	9231 110107	06	9840 123003 (4x)	20		
9203 003642	11	9231 110127	02, 20	9840 133012	19, 20		
9203 003647	10	9305 603270	05	9840 133013	19		
9203 003657	08, 09, 11, 17	9330 000067	15	9840 135012	19, 20		

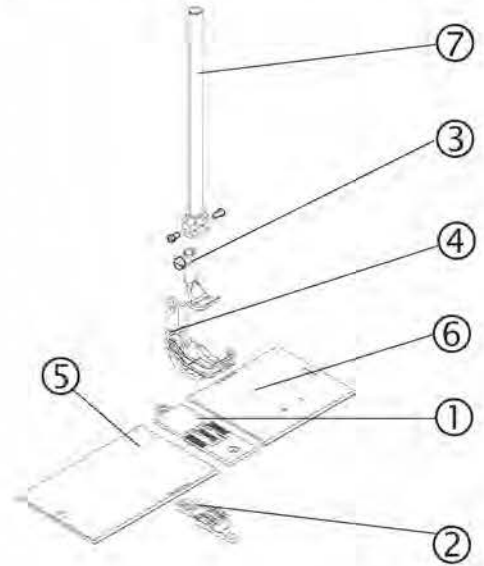




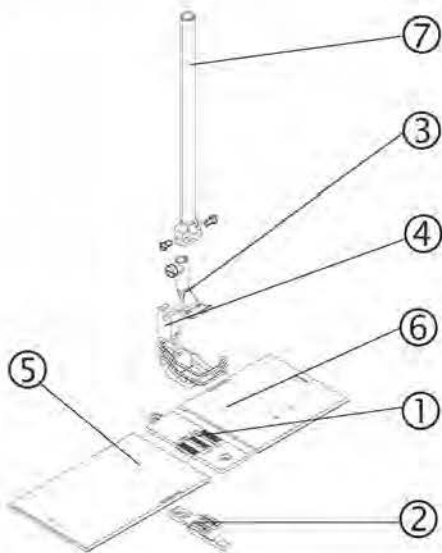
E2



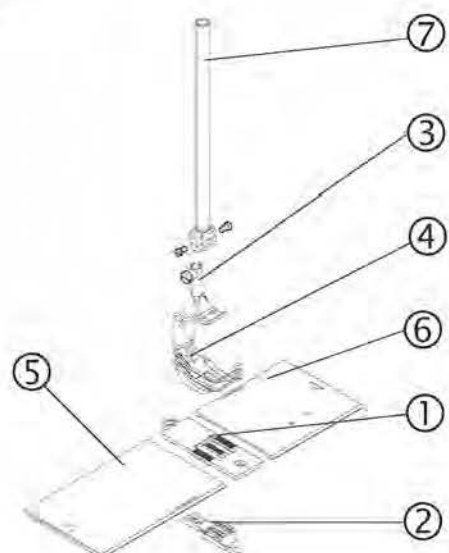
E8/6



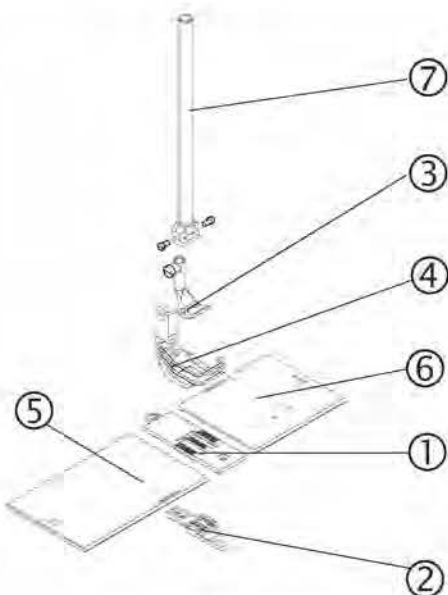
E8/8



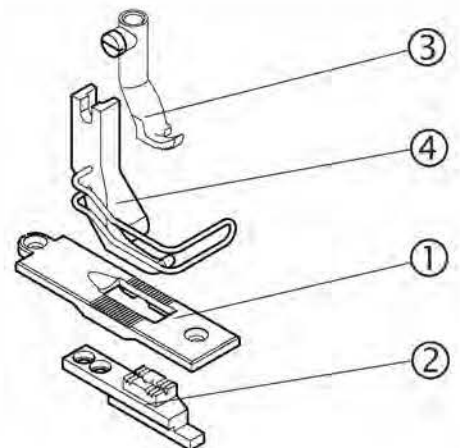
E8/12



E8/14

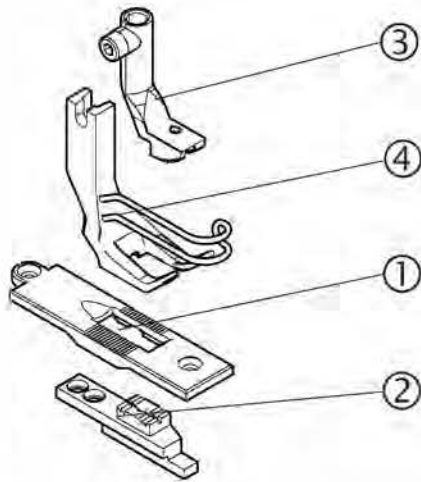


E34

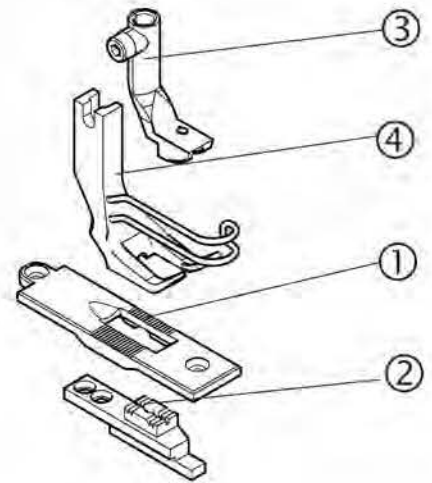




E49



E50





E-No.	For Subclass / 适用机型	Needle holder 针夹		Throat plate 针板 ①		Main feed dog 主送料牙 ②		Presser foot 压脚		Hook 旋梭									
		Needle distance mm	Needle holder	Needle holder, left	Needle holder, right	Stitch hole size mm	Throat plate	Slide, left	Slide, right	Stitch hole size mm	Serrated mm	Serrated, oblique mm	Cross toothed mm	Roof-shaped mm	Feed foot	Presser foot	Foot, articulated	Needle guard	Needle system
E2	-373 Sewing equipment for general stitching operations in medium weight material in the production of upholstery, tarpaulins and leather articles. Needle size Nm 110-140. Stitch length max. 6 mm 适用于缝制中厚料沙发、帐篷和皮革制品的缝纫附件。 针规格: Nm110-140 最大针距长度: 6mm					ø 2.5	0167 200150								0267 220013	0267 220023			134-35 / 120-130
E34	-373 Sewing equipment for edge seams on the right in medium weight material in the production of upholstery, bags and leather articles. Seam margin 1 mm. Needle size Nm 110-140. Stitch length max. 6 mm 适用于缝制中厚料沙发、箱包和皮革制品时右侧边缝的缝纫附件。 针规格: Nm110-140 最大针距长度: 6mm					ø 2.5	0167 200150								0067 220713	0067 220783			134-35 / 120-130
E49	-373 Sewing equipment for welting operations in medium weight material (coarsely woven fabrics) in the production of upholstery. Welt groove 5 mm to the left of the needle in feeding foot and double toe jumping foot. Needle size Nm 110-140. Stitch length max. 6 mm 适用于缝制中厚料沙发、(粗织纤维)嵌缝的缝制设备,在送料压脚和大压脚中嵌条槽距针左侧距离为 5mm。 针规格: Nm110-140 最大针距长度: 6mm					ø 2.5	0167 200150								0167 220603	0167 220613			134-35 / 120-130
E50	-373 Same as E49, but welt groove 6 mm. 同 E49,但嵌条槽距针左侧距离 6mm。					ø 2.5	0167 200150								0167 220603	0167 220623			134-35 / 120-130

Modification 修改



Sewing equipment
缝纫附件

267

Edition
版本
07.06
Replaced edition
取代版号
03.92

Page
页号 5

Continued page
下一页号 --

E-No.	For Subclass / 适用机型	Fig.No.	Use / 用途	Needle holder 针夹		Throat plate 针板				Main feed dog 主送料牙				Presser foot 压脚		Hook 旋梭				
				Needle distance mm	Needle bar	Needle holder, left	Needle holder, right	Stitch hole size mm	Throat plate	Slide, left	Slide, right	Stitch hole size mm	Serrated mm	Serrated, oblique mm	Cross toothed mm	Roof-shaped mm	Feed foot	Presser foot	Foot, articulated, with lever	Foot, articulated
E8/6	-273 Sewing equipment for general stitching operations in in the production of leather garments, upholstery, tarpaulins and leather articles. Needle distance 6 mm. Needle size Nm 110-140. Stitch length max. 6 mm 适用于缝制中厚料沙发、帐篷和皮革制品的缝纫附件。 针规格: Nm110-140 最大针距长度: 6mm	6	0068 232094	⑦				①	⑤	⑥				③	④					134 / 110
E8/8	-273 Same as E8/6, but needle distance 8 mm. 同 E8/6, 但机针间距为 8mm.	8	0068 232114											0067 222353	0067 222543					1134 / 110
E8/12	-273 Same as E8/6, but needle distance 12 mm. 同 E8/6, 但机针间距为 12 mm。	12	0068 232154											0067 222393	0067 222573					134 / 110
E8/14	-273 Same as E8/6, but needle distance 14 mm. 同 E8/6, 但机针间距为 14mm。	14	0068 232184											0067 222413	0067 222593					134 / 110

Modification 修改