



Parts List and Sewing Equipment

零件样本和缝纫附

281

Manufacturer: Dürkopp Adler Sewing Machine (Suzhou) Co., Ltd.
Wanping East Road, Wujiang, Suzhou, Jiangsu Province 215223, China

Contact: Dürkopp Adler AG, PO Box 17 03 51, D-33703 Bielefeld, Potsdamerstr. 190, D-33719 Bielefeld,
Phone +49 (0) 521 9 25 00, Fax +49 (0) 521 9 25 24 35, www.duerkopp-adler.com

制造商：杜克普爱华缝制设备（苏州）有限公司
中国江苏省苏州市吴江市横扇镇苑坪东路 邮政编码：215223

联系单位：Dürkopp Adler AG, PO Box 17 03 51, D-33703 Bielefeld, Potsdamerstr. 190, D-33719 Bielefeld,
Phone +49 (0) 521 9 25 00, Fax +49 (0) 521 9 25 24 35, www.duerkopp-adler.com

| | | | |
|--------------------------------------|---|-----------------------|--|
| Ausgabe / Edition: 06/2013 | Änderungsindex Rev. index: 04.0 | Printed in China 中国印制 | Teile-Nr./Part.-No.: 0791 281801 |
|--------------------------------------|---|-----------------------|--|

From the library of: Superior Sewing Machine & Supply LLC

281

Table of contents Table / 图表 目录

| | | |
|---|----|-----------------------|
| Arm, bed plate, covers | 1 | 机壳、底板及罩壳 |
| Main shaft, thread take-up | 2 | 上轴和挑线机构 |
| Motor, lower shaft | 3 | 马达和下轴部件 |
| Thread tension, thread guide | 4 | 过线系统 |
| Bobbin winder, pretension | 5 | 绕线器及其过线系统 |
| Foot lifter mechanism, solenoid | 6 | 抬压脚机构和自动抬压脚电磁铁 |
| Stitch length mechanism | 7 | 针距调节机构 |
| Feed dog carrier | 8 | 送料机构 |
| Hook shaft bearing, hook | 9 | 旋梭轴轴承、旋梭 |
| Gear box cover, control box with operating panel | 10 | 齿轮箱盖、电脑控制箱 及控制操作面板 |
| Thread trimmer | 11 | 剪线机构 |
| Cable sets, push button switch | 12 | 连接电线, 按钮开关 |
| Accessory box | 13 | 附件盒 |
| Sewing equipments | | 缝纫附件 |
| Sewing lamp | | 缝纫机灯 |
| Edge guides | | 导边器 |

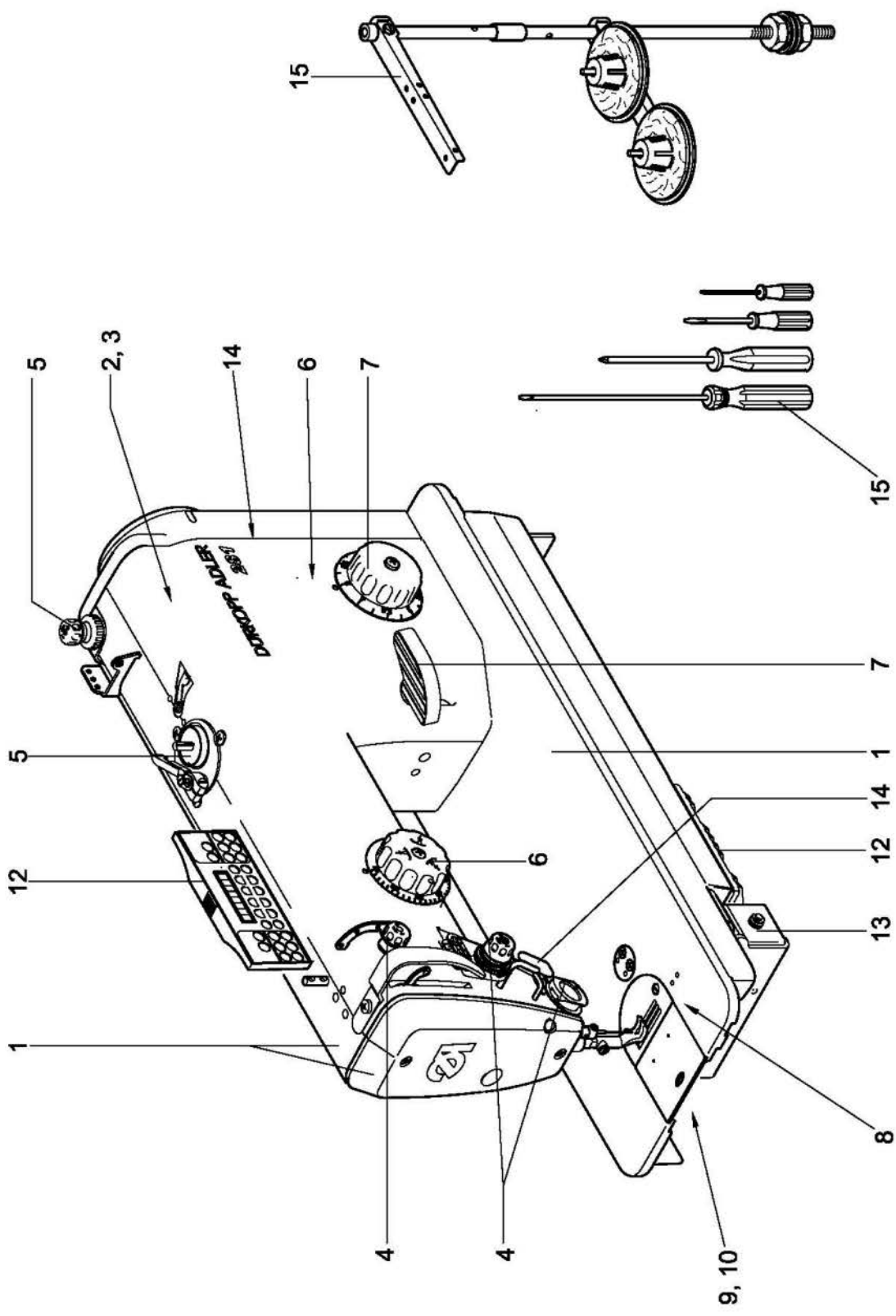
All rights reserved.

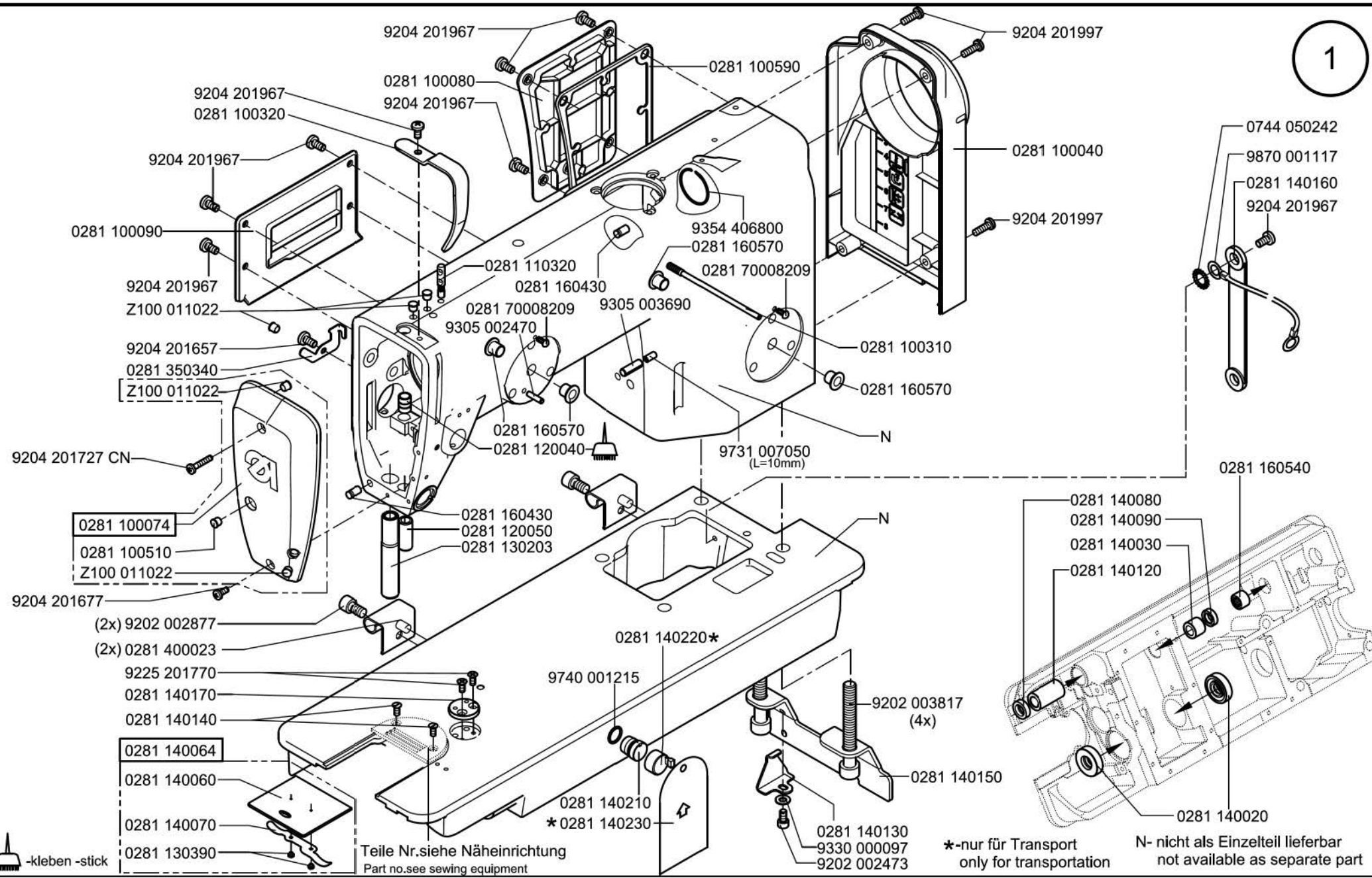
Property of Dürkopp Adler and copyrighted. Reproduction or publication of the content in any manner, even in extracts, without prior written permission of Dürkopp Adler, is prohibited.

版权所有，不许翻印

版权和产权归杜克普爱华有限公司所有。未经杜克普爱华有限公司书面许可，禁止以任何方式翻印或复印本内容，包括摘要。

Copyright © Dürkopp Adler - 2013





Teile Nr.siehe Näheinrichtung
Part no.see sewing equipment

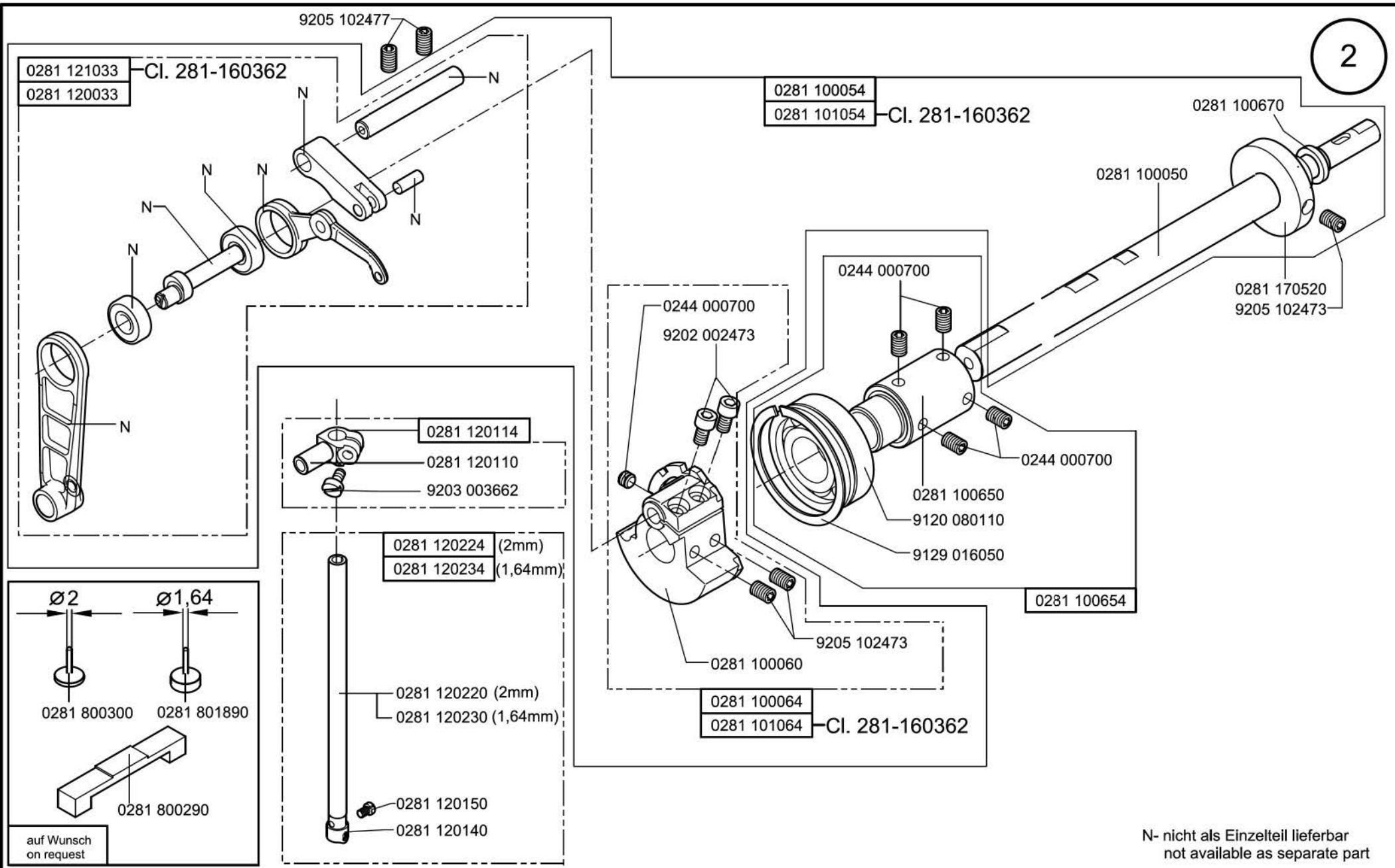
*-nur für Transport
only for transportation

N- nicht als Einzelteil lieferbar
not available as separate part

Scale 50%

Cl. 281

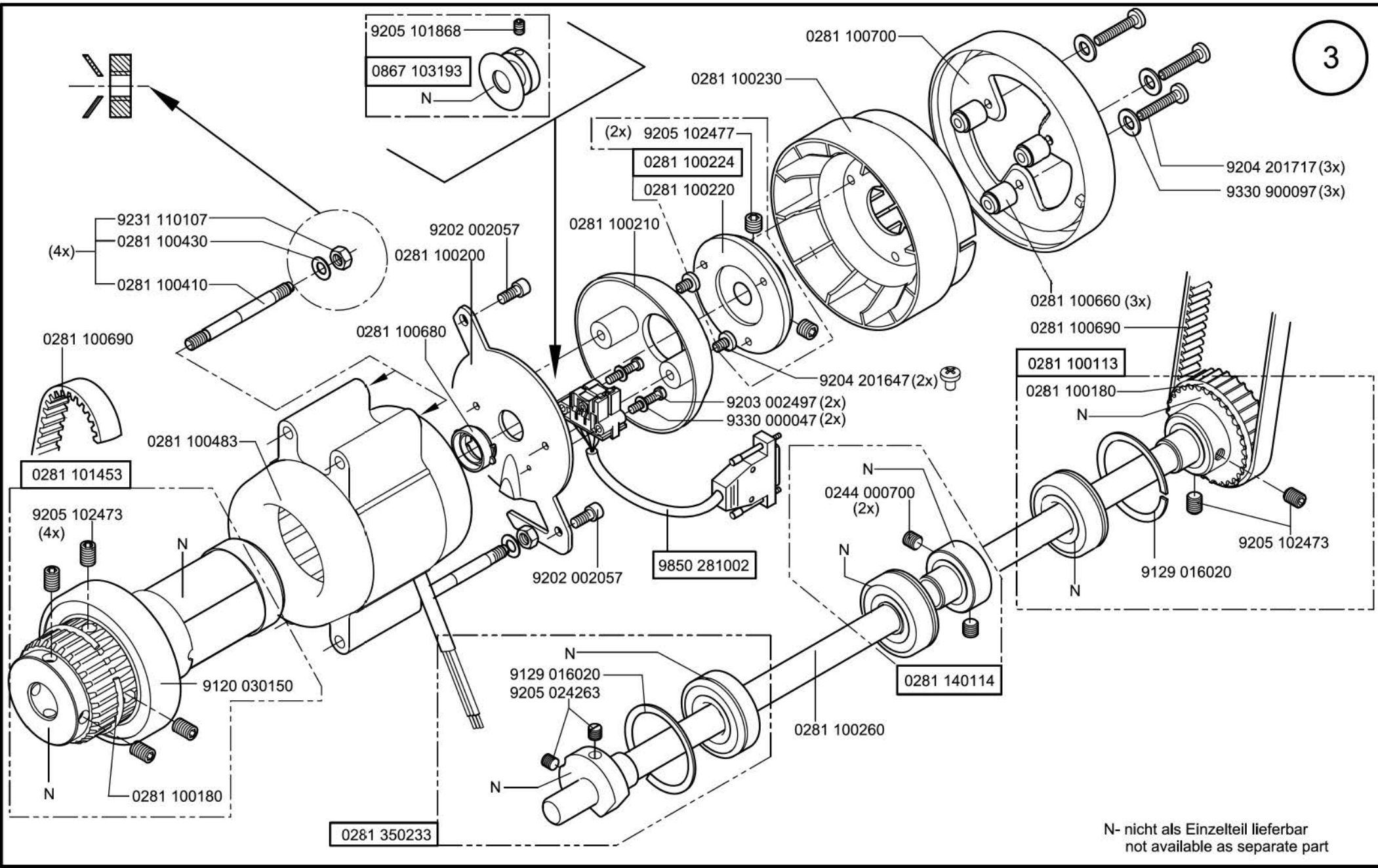
Ausgabe/Edition 20.04.2011



Scale 50%

CI. 281

Ausgabe/Edition 20.03.2013

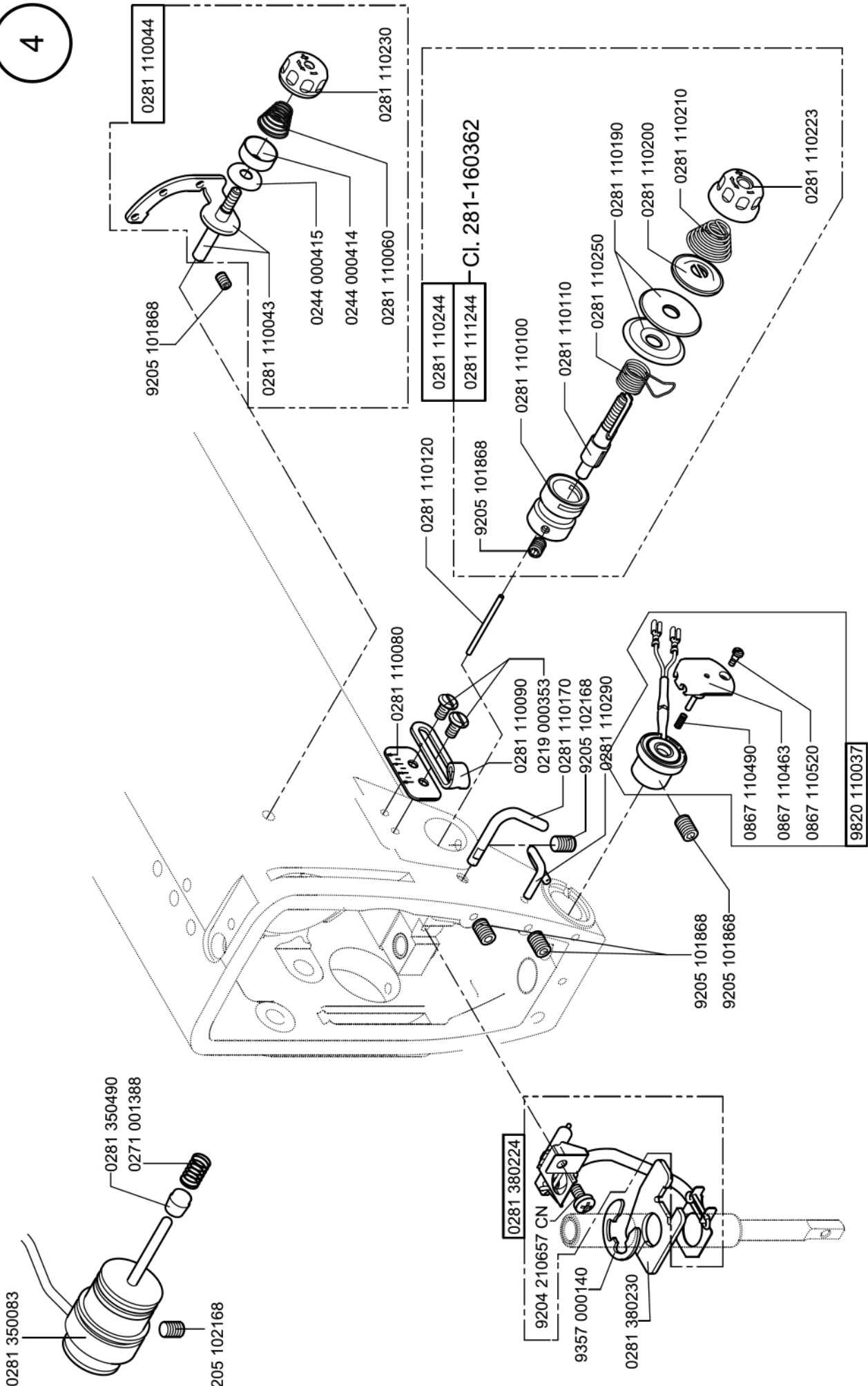


N- nicht als Einzelteil lieferbar
not available as separate part

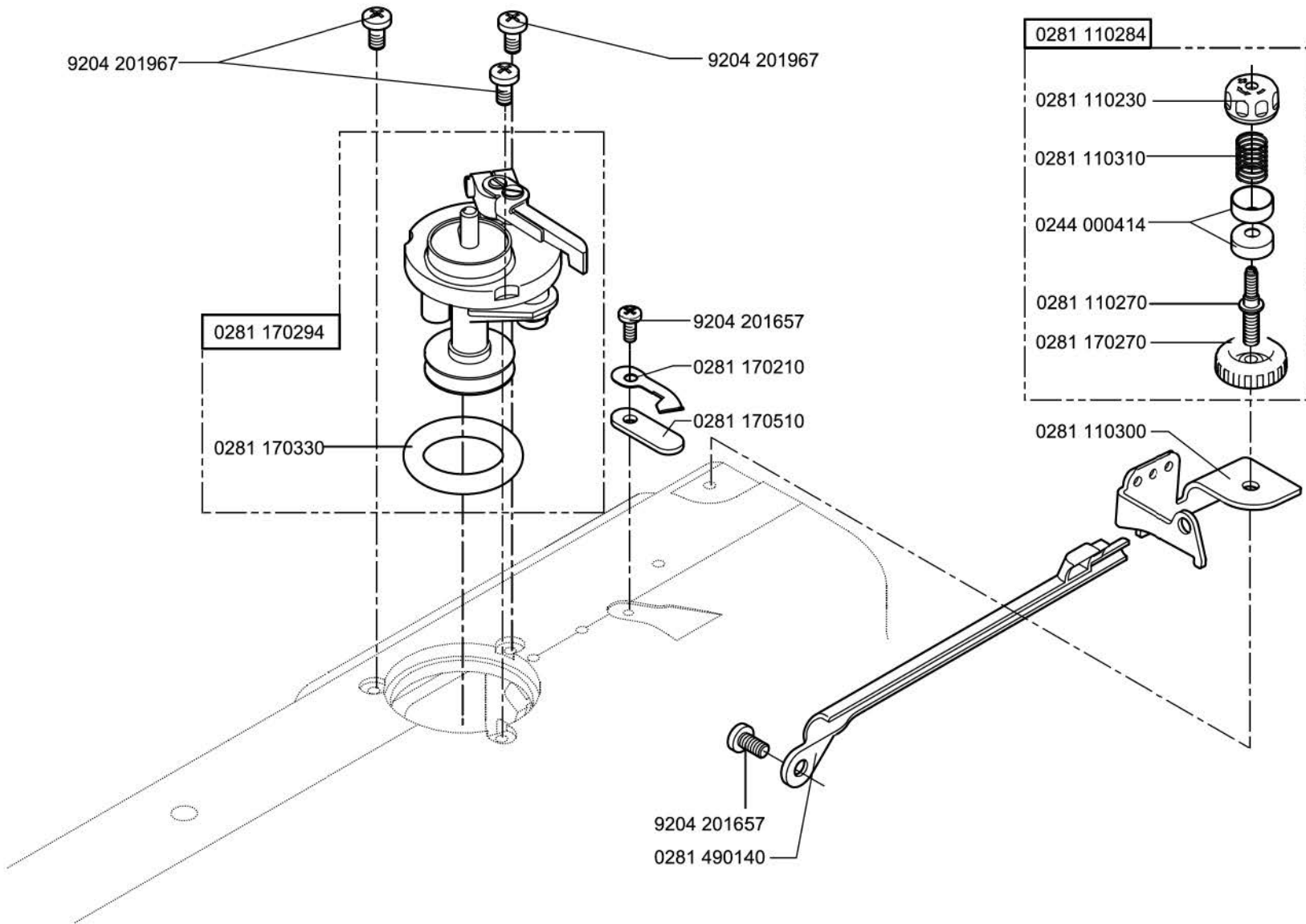
Scale 50%

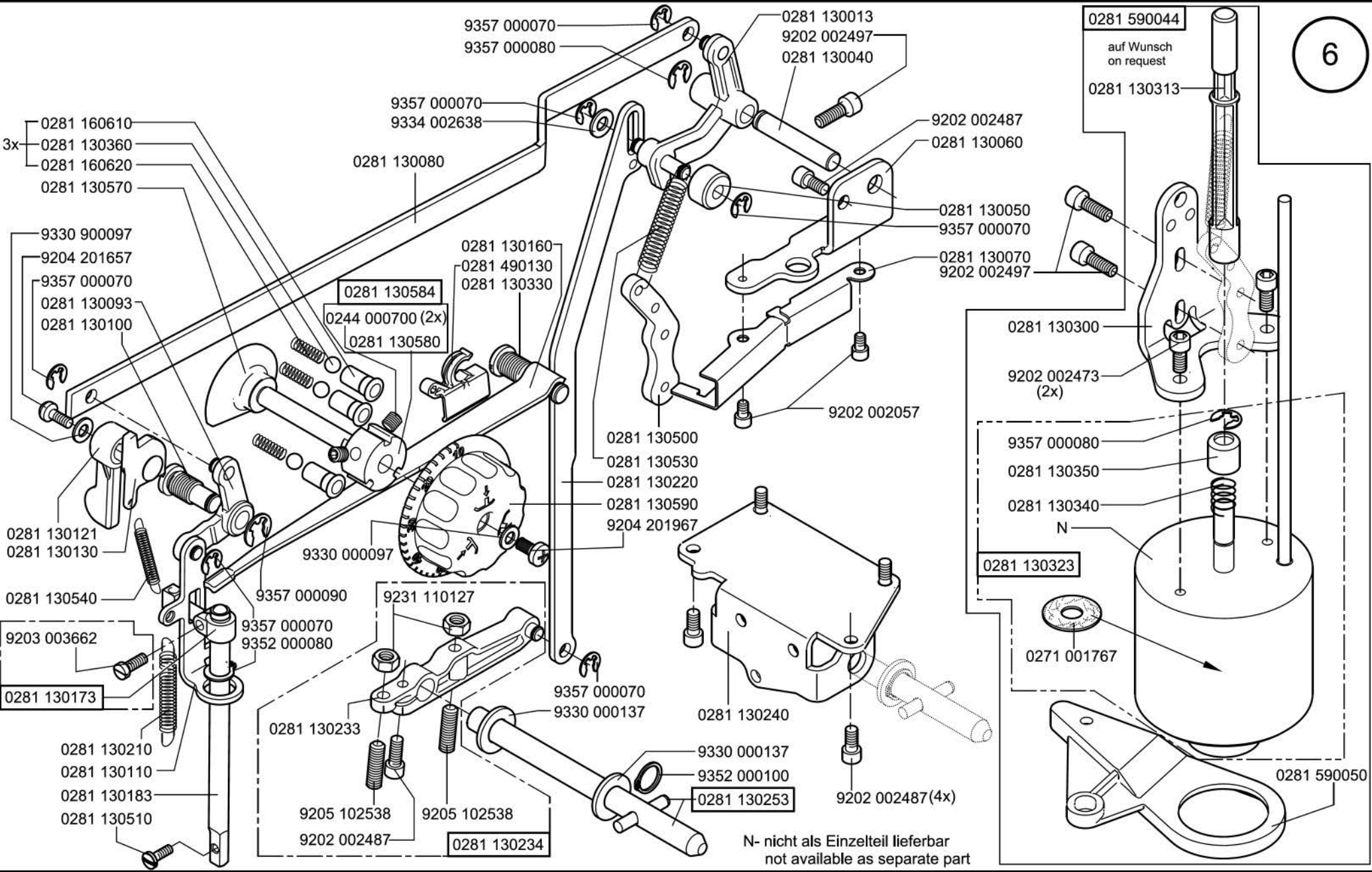
CI. 281

Ausgabe/Edition 19.10.2012

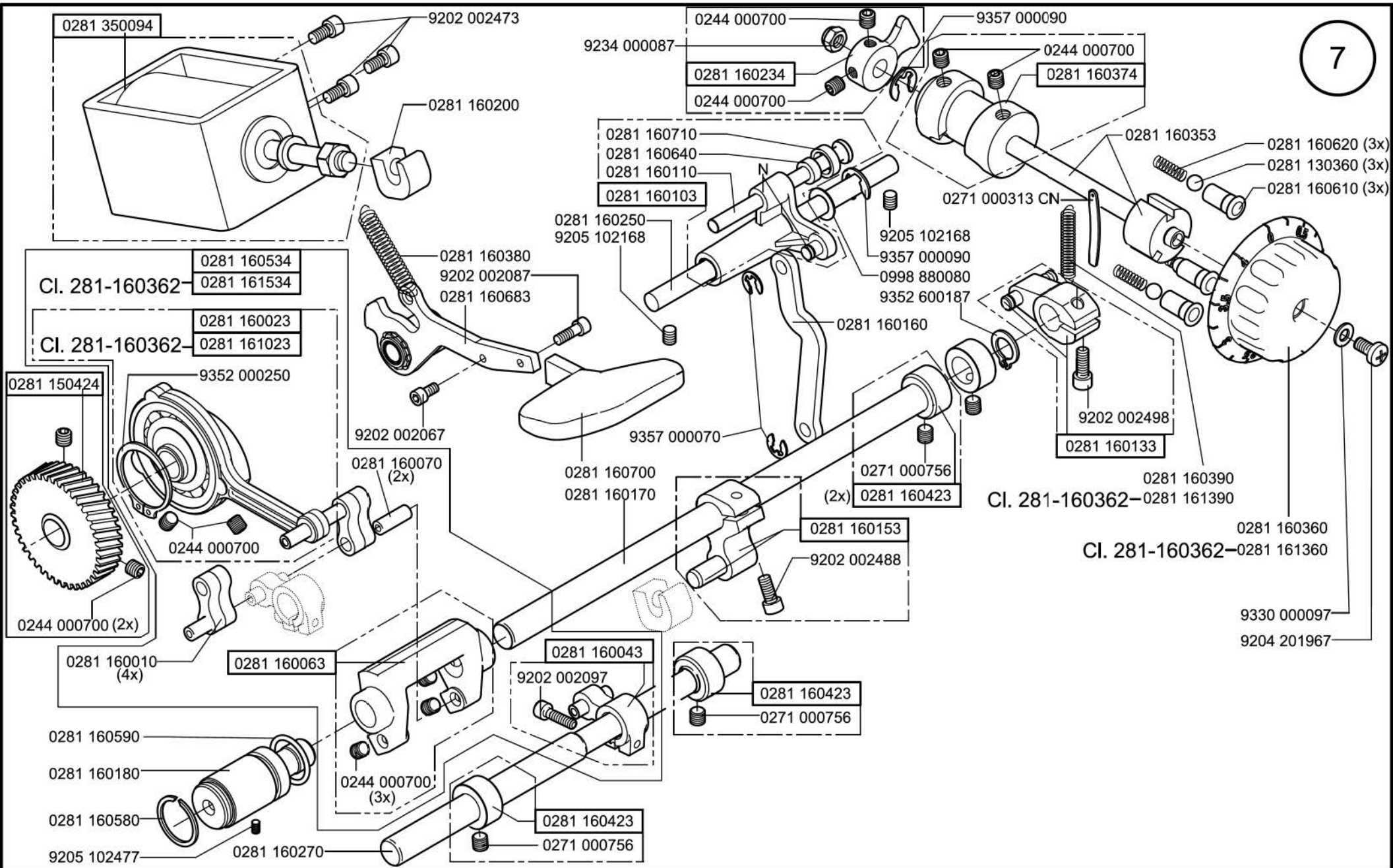


From the library of: Superior Sewing Machine & Supply LLC





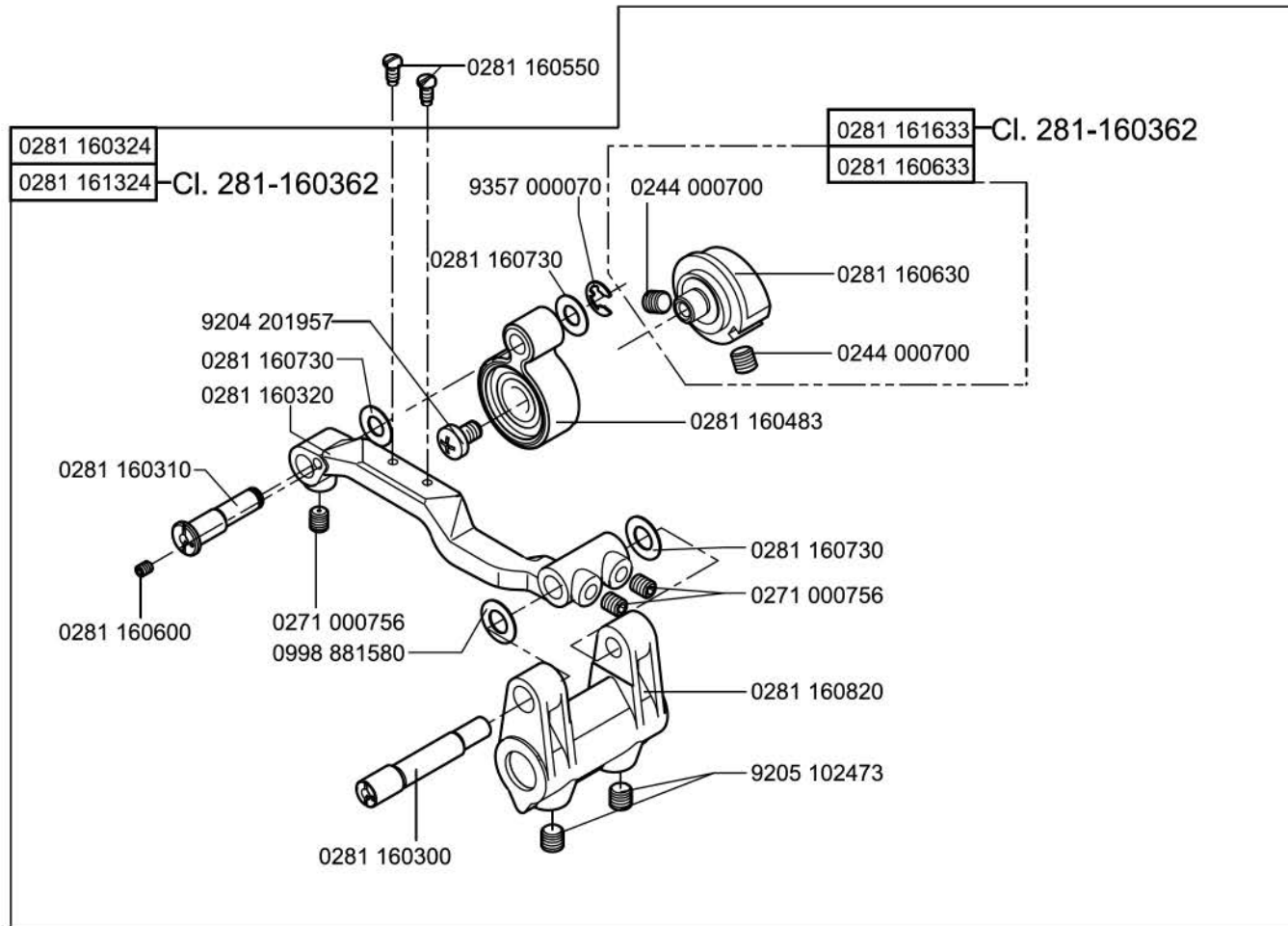
N- nicht als Einzelteil lieferbar
not available as separate part

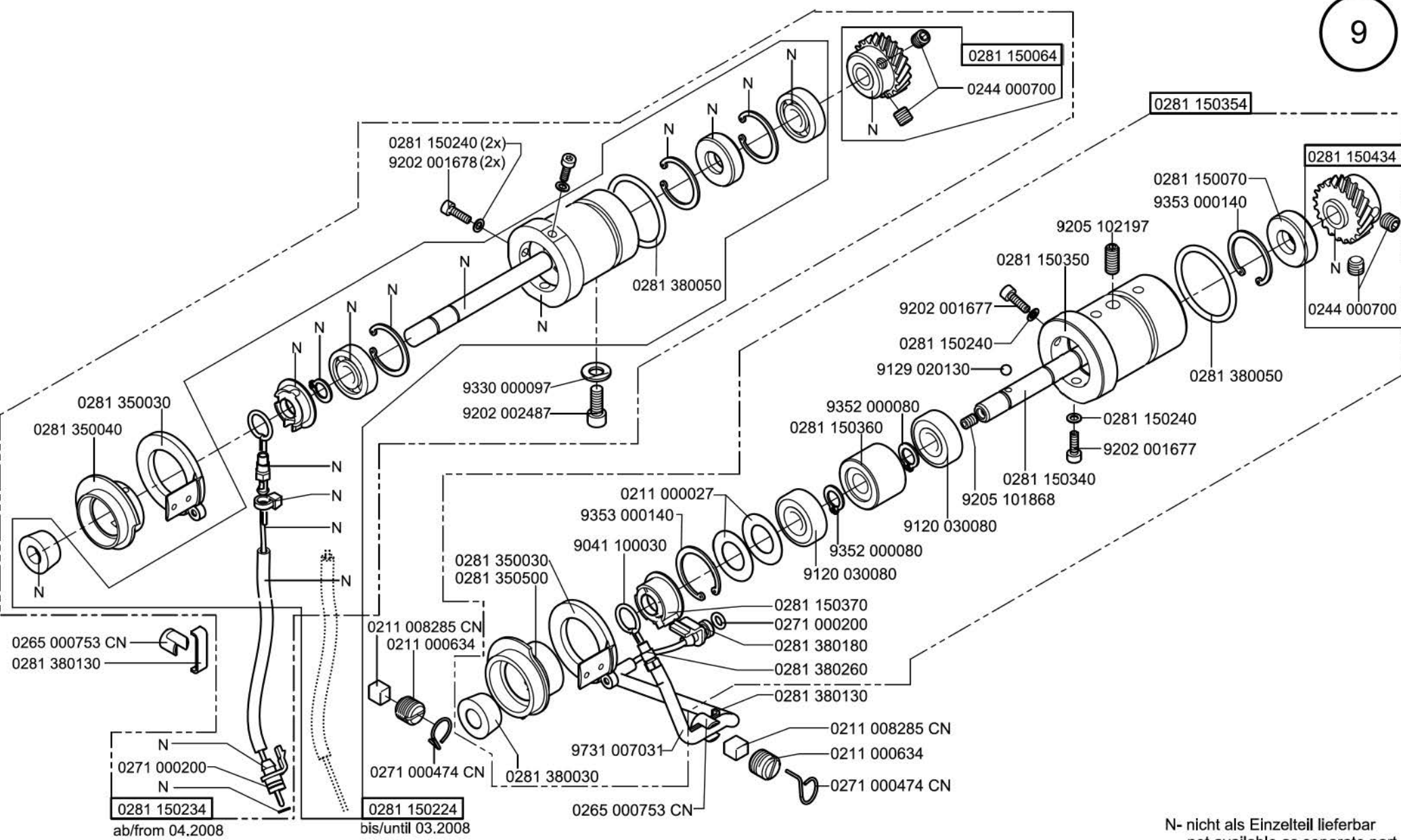


Scale 50%

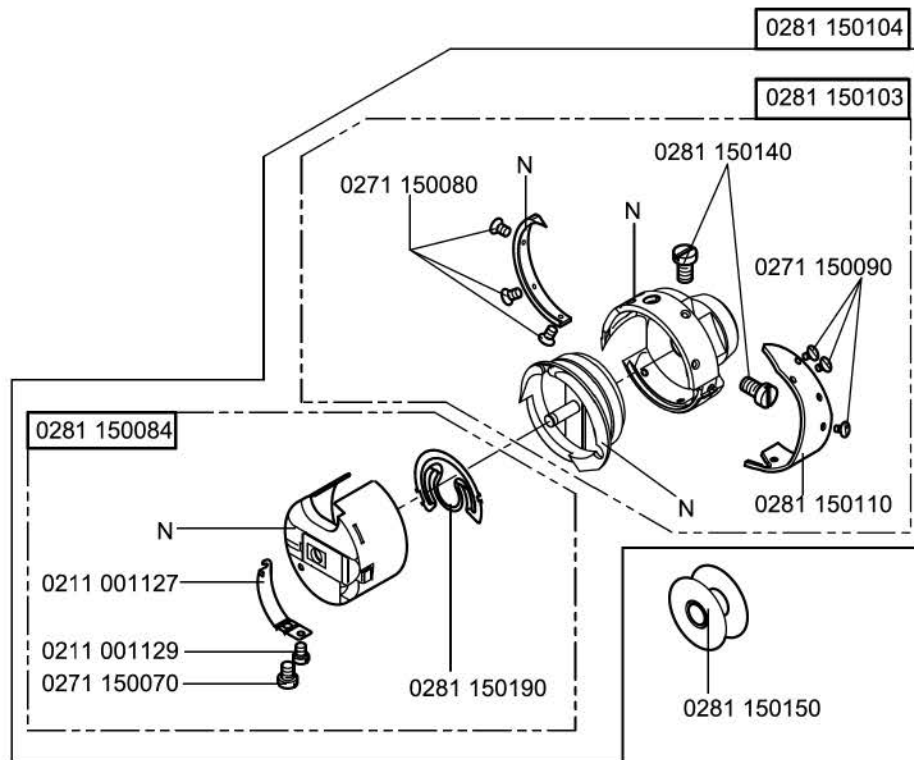
CI. 281

Ausgabe/Edition 10.06.2013





N- nicht als Einzelteil lieferbar
not available as separate part



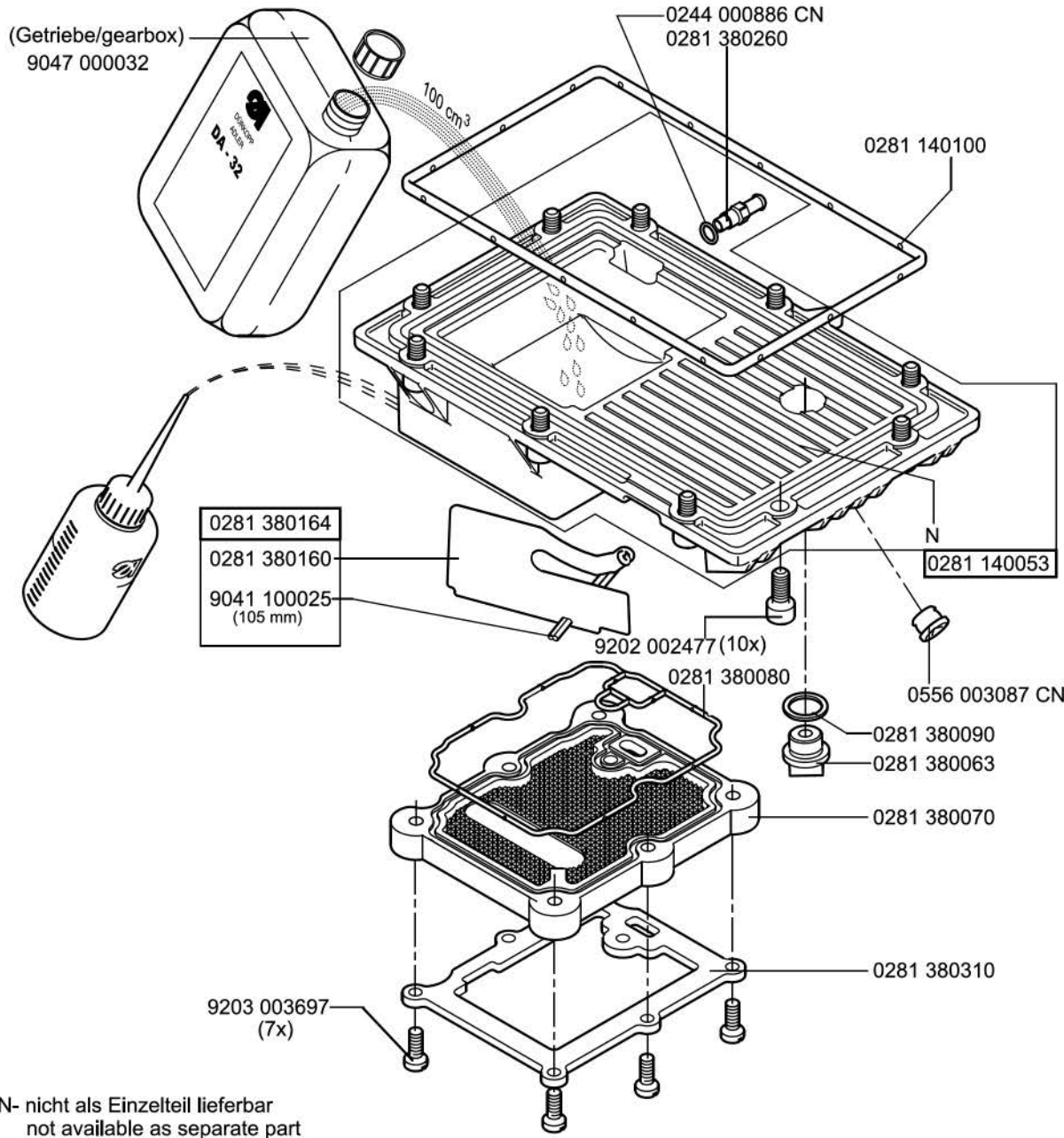
N- nicht als Einzelteil lieferbar
not available as separate part

Scale 50%

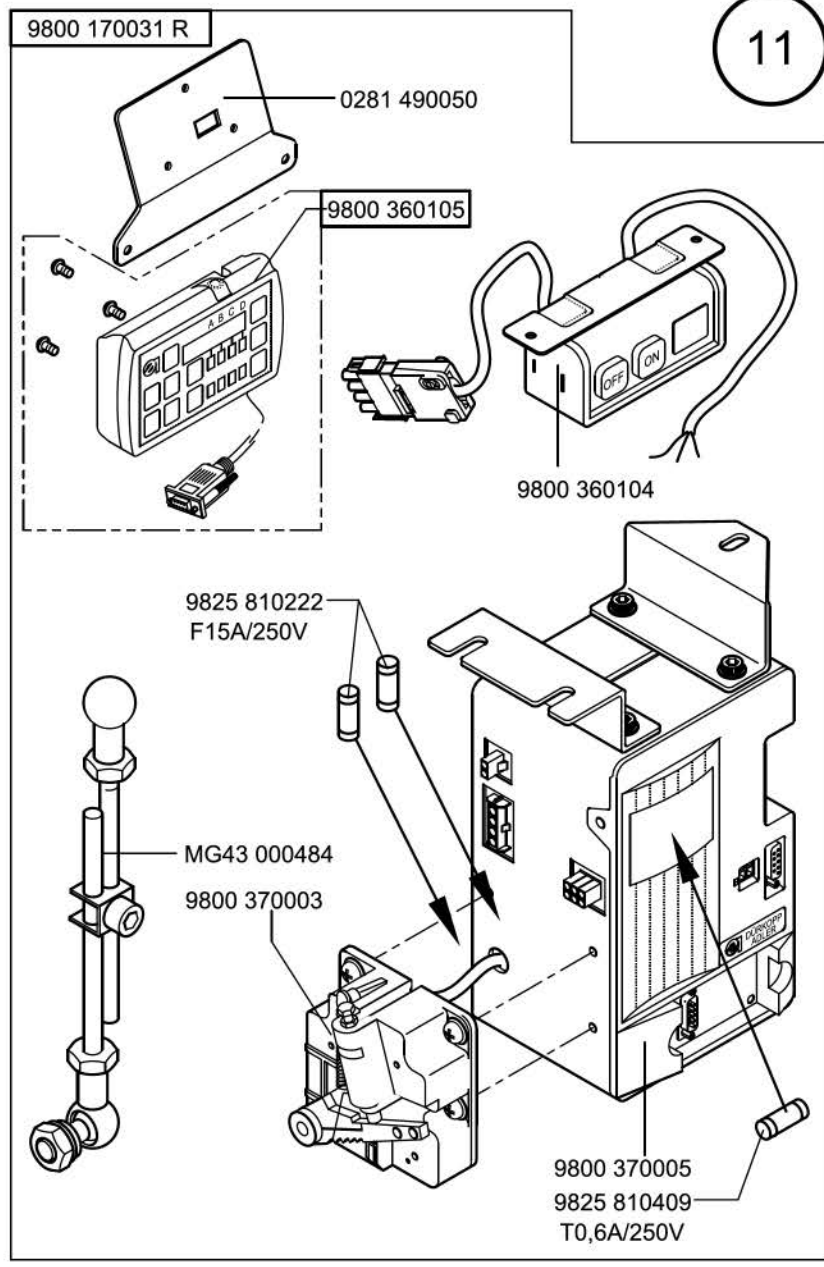
CI. 281

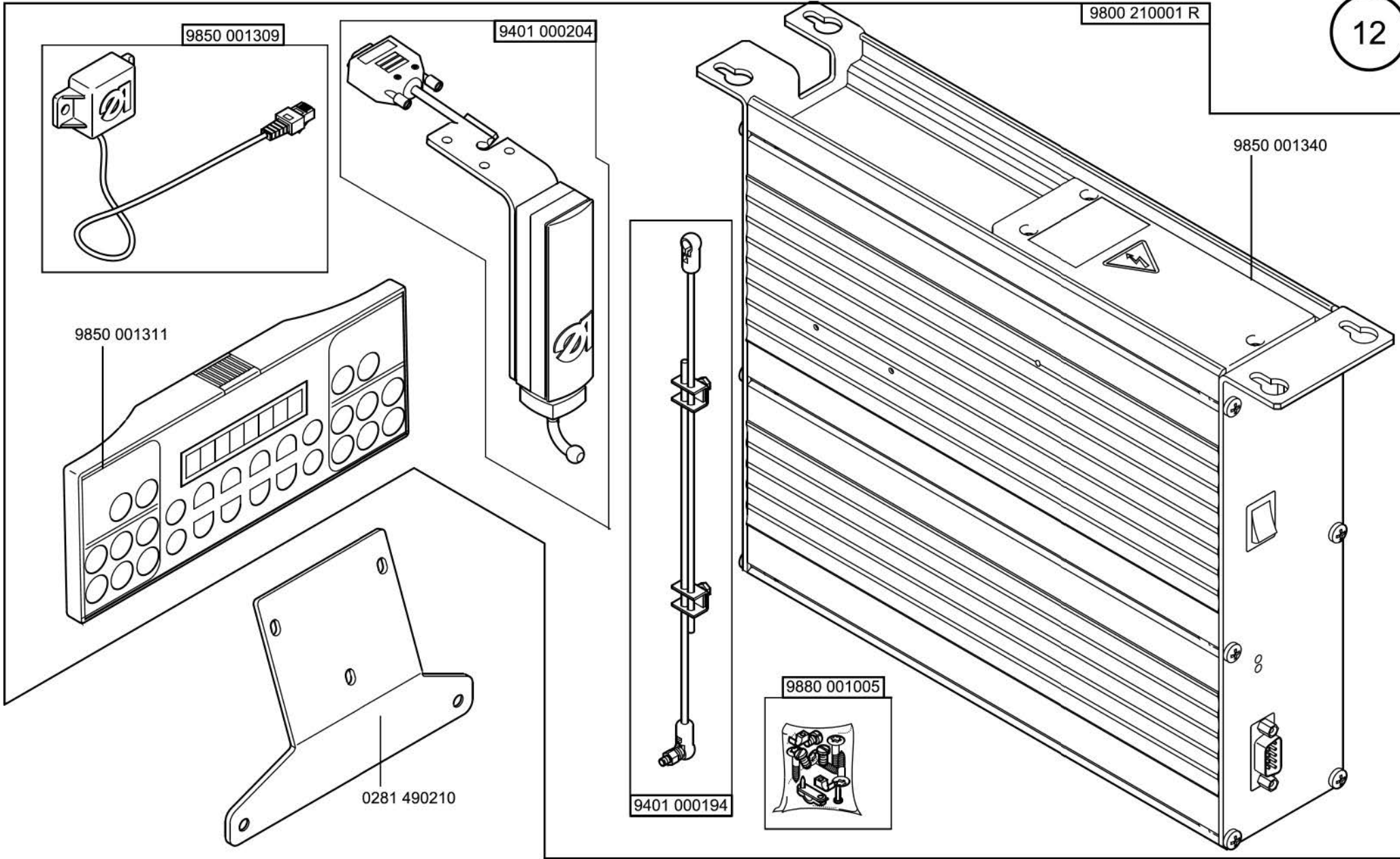
Ausgabe/Edition 30.03.2011

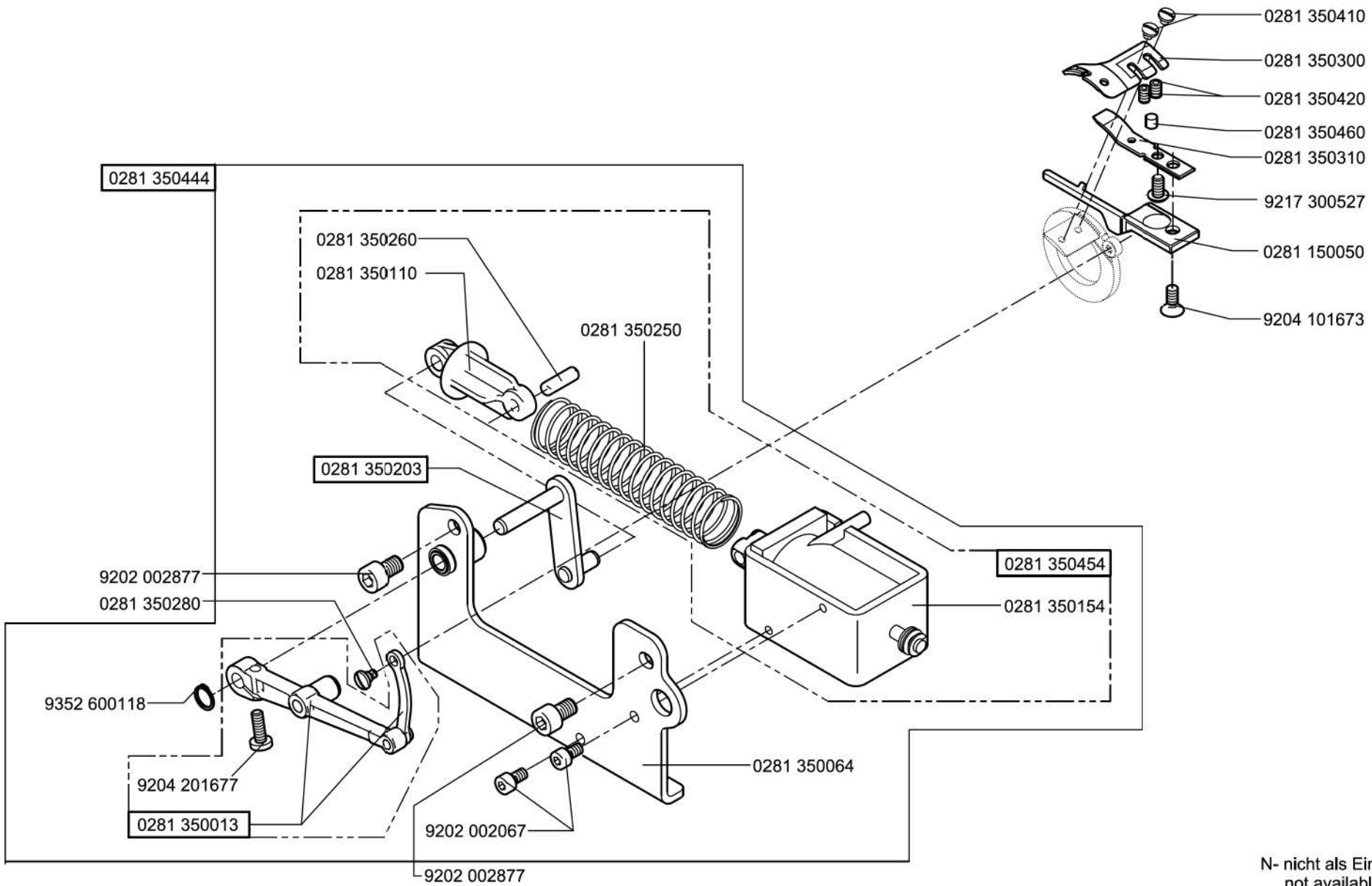
From the library of: Superior Sewing Machine & Supply LLC



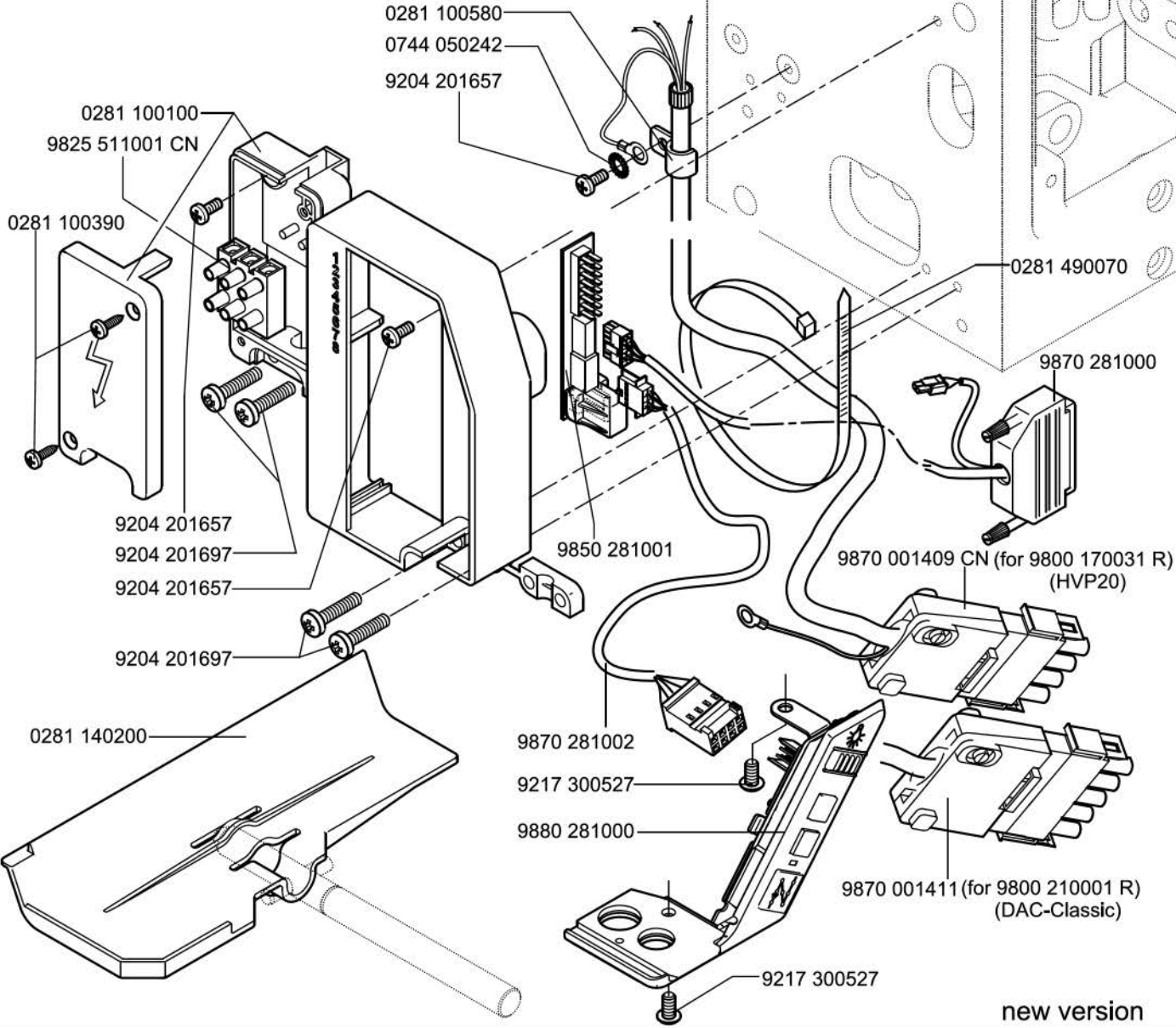
N- nicht als Einzelteil lieferbar
not available as separate part



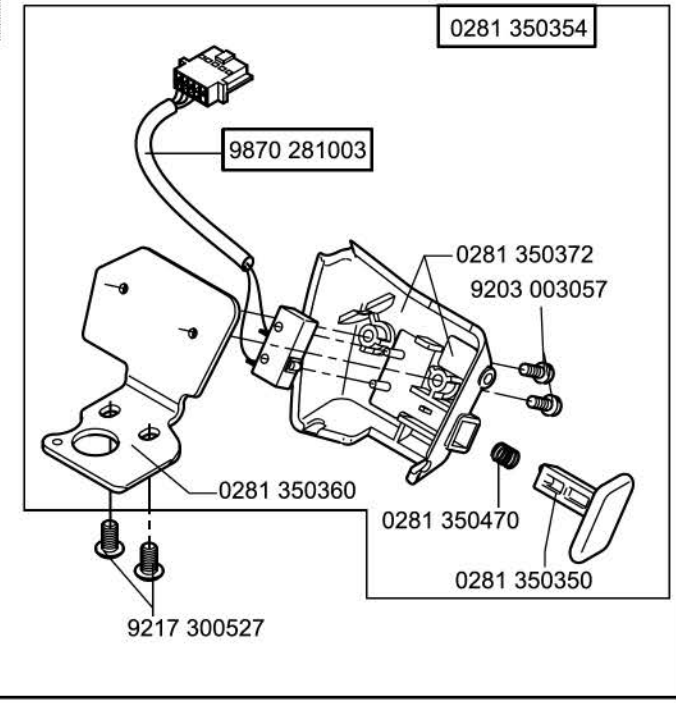




N- nicht als Einzelteil lieferbar
not available as separate part



new version

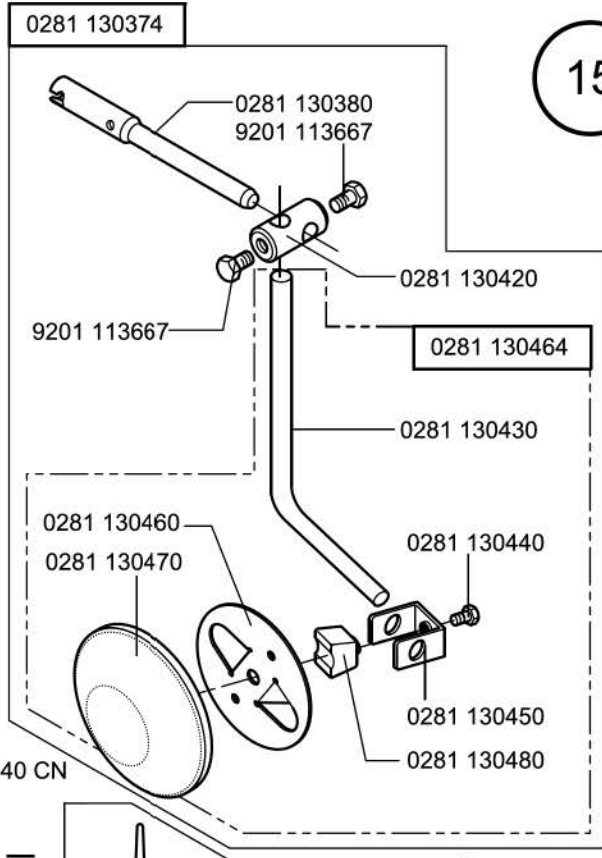
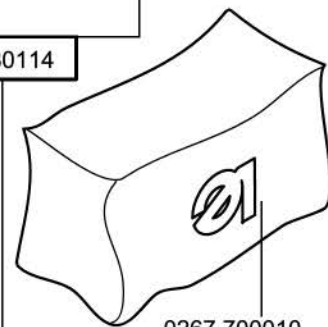
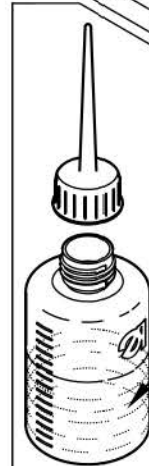
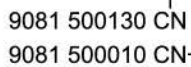
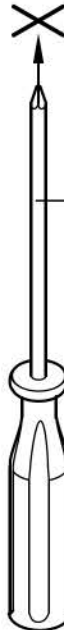
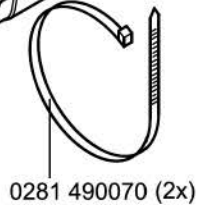
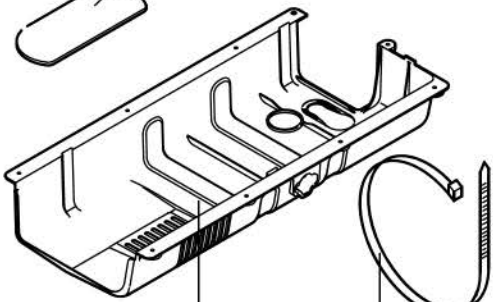
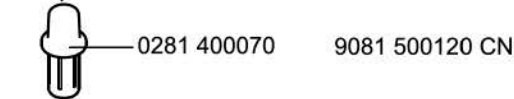
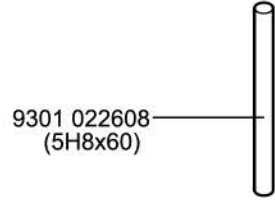
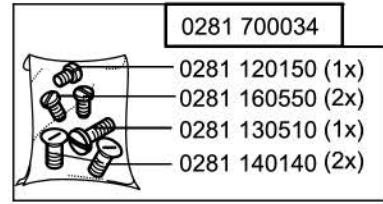
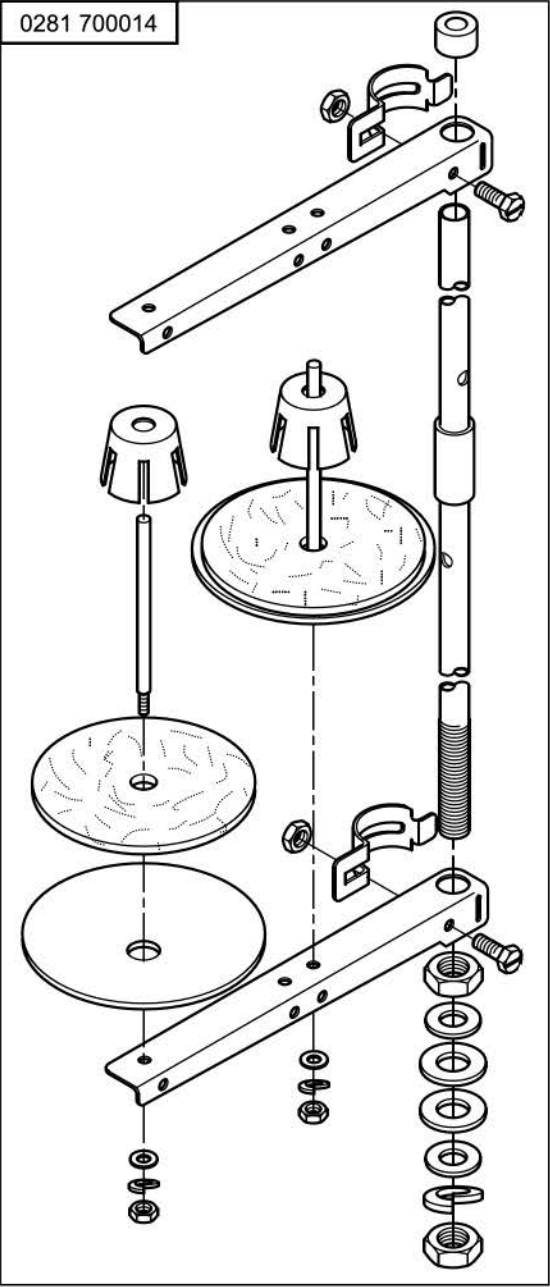


old version

Scale 50%

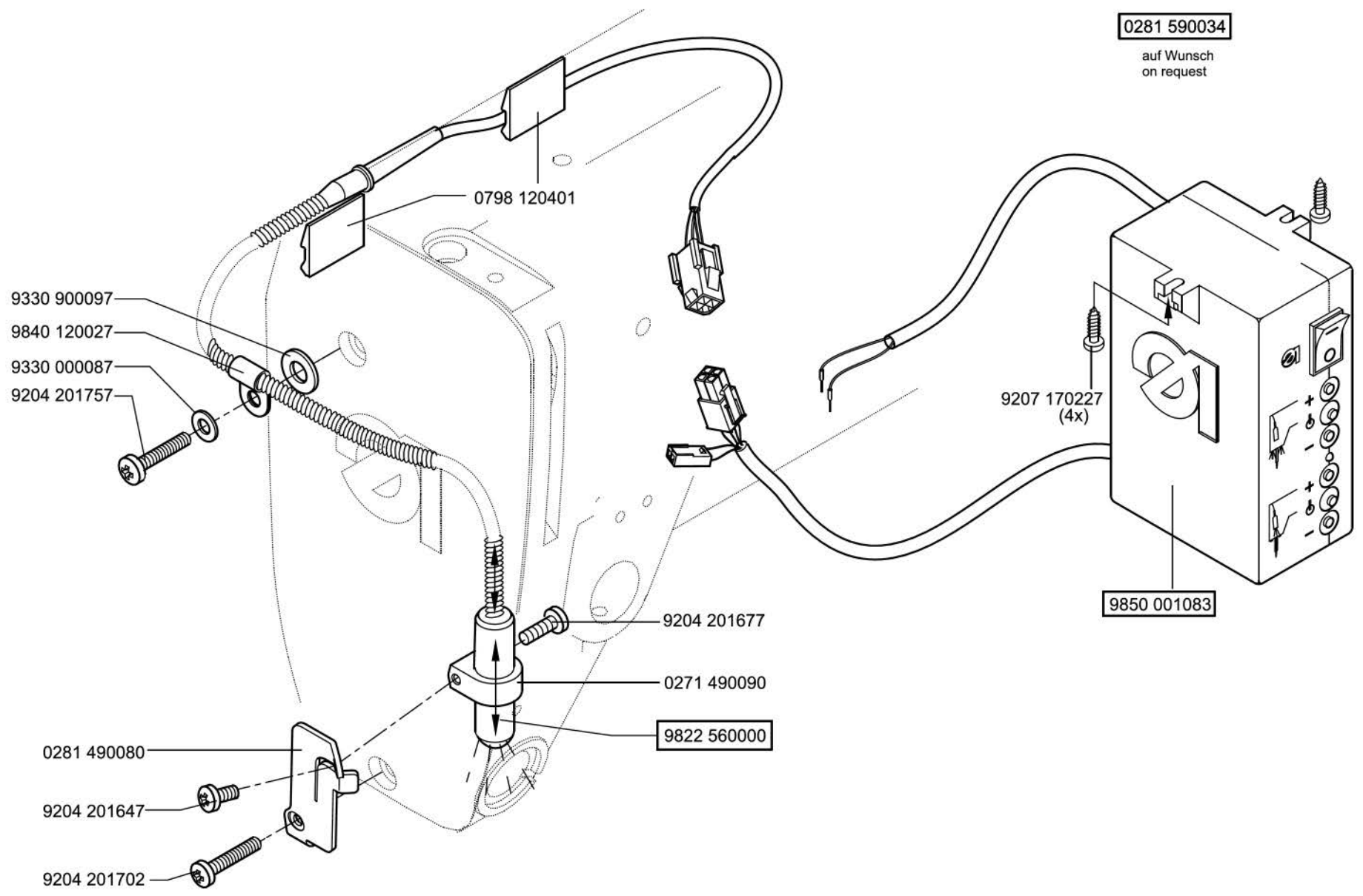
CI. 281

Ausgabe/Edition 19.10.2012

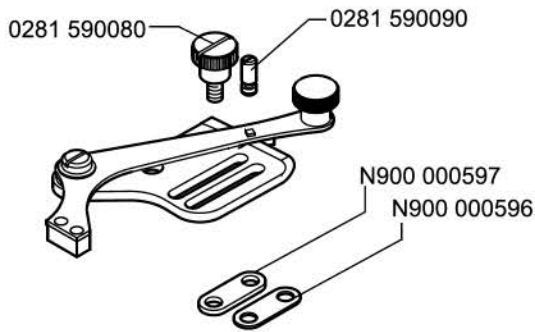


0281 590034

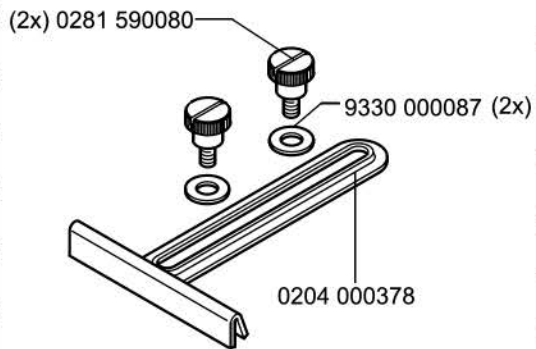
auf Wunsch
on request



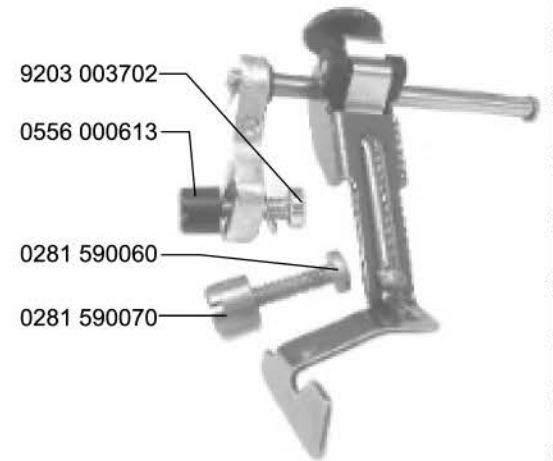
N900 012015 auf Wunsch
on request



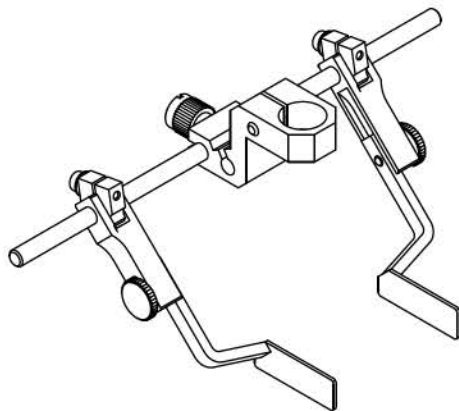
N900 011038 auf Wunsch
on request



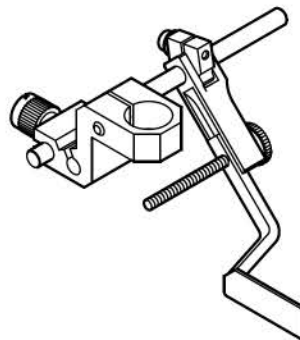
N900 023421 auf Wunsch
on request



N900 020023 auf Wunsch
on request



N900 020021 auf Wunsch
on request

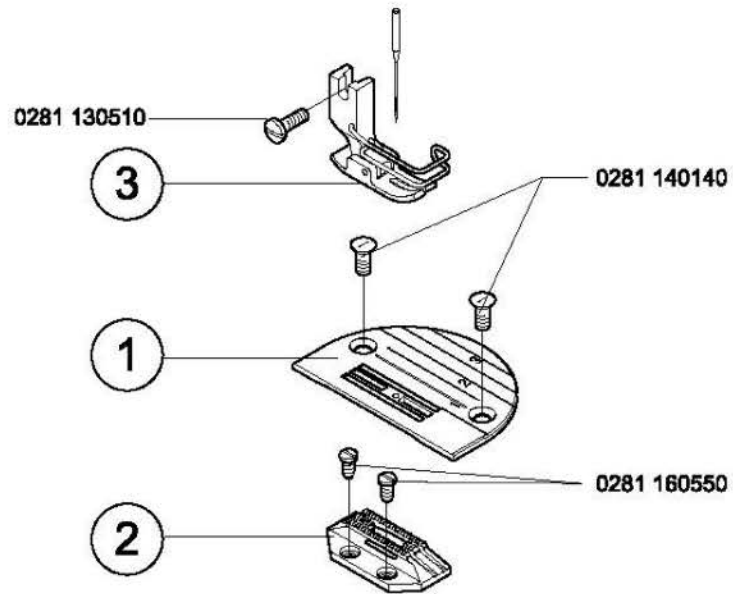


| Part No./ /件号 | Table/表 | Part No./ /件号 | Table/表 | Part No./ /件号 | Table/表 | Part No./ /件号 | Table/表 | | | | |
|---------------|-----------|------------------------------|---------|---------------|---------|---------------|---------|--------|------|--------|--------|
| 0204 | 000378 | 17 | 0281 | 100113 | 03 | 0281 | 110120 | 04 | 0281 | 130093 | 06 |
| 0211 | 000027 | 09 | 0281 | 100180 | 03 | 0281 | 110170 | 04 | 0281 | 130100 | 06 |
| 0211 | 000634 | 09 | 0281 | 100200 | 03 | 0281 | 110190 | 04 | 0281 | 130110 | 06 |
| 0211 | 001127 | 10 | 0281 | 100210 | 03 | 0281 | 110200 | 04 | 0281 | 130121 | 06 |
| 0211 | 001129 | 10 | 0281 | 100220 | 03 | 0281 | 110210 | 04 | 0281 | 130130 | 06 |
| 0211 | 008285 CN | 09 | 0281 | 100224 | 03 | 0281 | 110223 | 04 | 0281 | 130160 | 06 |
| 0219 | 000353 | 04 | 0281 | 100230 | 03 | 0281 | 110230 | 04, 05 | 0281 | 130173 | 06 |
| 0244 | 000414 | 04, 05 | 0281 | 100260 | 03 | 0281 | 110244 | 04 | 0281 | 130183 | 06 |
| 0244 | 000415 | 04 | 0281 | 100310 | 01 | 0281 | 110250 | 04 | 0281 | 130203 | 01 |
| 0244 | 000700 | 02, 03, 06, 07, 08, 09 | 0281 | 100320 | 01 | 0281 | 110270 | 05 | 0281 | 130210 | 06 |
| | | | 0281 | 100390 | 14 | 0281 | 110284 | 05 | 0281 | 130220 | 06 |
| | | | 0281 | 100410 | 03 | 0281 | 110290 | 04 | 0281 | 130233 | 06 |
| 0244 | 000886 CN | 11 | 0281 | 100430 | 03 | 0281 | 110300 | 05 | 0281 | 130234 | 06 |
| 0265 | 000753 CN | 09 | 0281 | 100483 | 03 | 0281 | 110310 | 05 | 0281 | 130240 | 06 |
| 0267 | 700010 | 15 | 0281 | 100510 | 01 | 0281 | 110320 | 01 | 0281 | 130253 | 06 |
| 0271 | 000200 | 09 | 0281 | 100580 | 14 | 0281 | 111244 | 04 | 0281 | 130300 | 06 |
| 0271 | 000313 CN | 07 | 0281 | 100590 | 01 | 0281 | 120033 | 02 | 0281 | 130313 | 06 |
| 0271 | 000474 CN | 09 | 0281 | 100650 | 02 | 0281 | 120040 | 01 | 0281 | 130323 | 06 |
| 0271 | 000756 | 07, 08 | 0281 | 100654 | 02 | 0281 | 120050 | 01 | 0281 | 130330 | 06 |
| 0271 | 001388 | 04 | 0281 | 100660 | 03 | 0281 | 120110 | 02 | 0281 | 130340 | 06 |
| 0271 | 001767 | 06 | 0281 | 100670 | 02 | 0281 | 120114 | 02 | 0281 | 130350 | 06 |
| 0271 | 150070 | 10 | 0281 | 100680 | 03 | 0281 | 120140 | 02 | 0281 | 130360 | 06, 07 |
| 0271 | 150080 | 10 | 0281 | 100690 | 03 | 0281 | 120150 | 02, 15 | 0281 | 130374 | 15 |
| 0271 | 150090 | 10 | 0281 | 100700 | 03 | 0281 | 120220 | 02 | 0281 | 130380 | 15 |
| 0271 | 490090 | 16 | 0281 | 101054 | 02 | 0281 | 120224 | 02 | 0281 | 130390 | 01 |
| 0281 | 100040 | 01 | 0281 | 101064 | 02 | 0281 | 120230 | 02 | 0281 | 130420 | 15 |
| 0281 | 100050 | 02 | 0281 | 101453 | 03 | 0281 | 120234 | 02 | 0281 | 130430 | 15 |
| 0281 | 100054 | 02 | 0281 | 110043 | 04 | 0281 | 121033 | 02 | 0281 | 130440 | 15 |
| 0281 | 100060 | 02 | 0281 | 110044 | 04 | 0281 | 130013 | 06 | 0281 | 130450 | 15 |
| 0281 | 100064 | 02 | 0281 | 110060 | 04 | 0281 | 130040 | 06 | 0281 | 130460 | 15 |
| 0281 | 100074 | 01 | 0281 | 110080 | 04 | 0281 | 130050 | 06 | 0281 | 130464 | 15 |
| 0281 | 100080 | 01 | 0281 | 110090 | 04 | 0281 | 130060 | 06 | 0281 | 130470 | 15 |
| 0281 | 100090 | 01 | 0281 | 110100 | 04 | 0281 | 130070 | 06 | 0281 | 130480 | 15 |
| 0281 | 100100 | 14 | 0281 | 110110 | 04 | 0281 | 130080 | 06 | 0281 | 130500 | 06 |

| Part No./ /件号 | Table/表 | Part No./ /件号 | Table/表 | Part No./ /件号 | Table/表 | Part No./ /件号 | Table/表 |
|---------------|---------|---------------|---------|---------------|---------|---------------|---------|
| 0281 130510 | 06, 15 | 0281 150140 | 10 | 0281 160360 | 07 | 0281 170510 | 05 |
| 0281 130530 | 06 | 0281 150150 | 10, 15 | 0281 160374 | 07 | 0281 170520 | 02 |
| 0281 130540 | 06 | 0281 150190 | 10 | 0281 160380 | 07 | 0281 350013 | 13 |
| 0281 130570 | 06 | 0281 150224 | 09 | 0281 160390 | 07 | 0281 350030 | 09 |
| 0281 130580 | 06 | 0281 150234 | 09 | 0281 160423 | 07 | 0281 350040 | 09 |
| 0281 130584 | 06 | 0281 150240 | 09 | 0281 160430 | 01 | 0281 350064 | 13 |
| 0281 130590 | 06 | 0281 150340 | 09 | 0281 160483 | 08 | 0281 350083 | 04 |
| 0281 140020 | 01 | 0281 150350 | 09 | 0281 160534 | 07 | 0281 350094 | 07 |
| 0281 140030 | 01 | 0281 150354 | 09 | 0281 160540 | 01 | 0281 350110 | 13 |
| 0281 140053 | 11 | 0281 150360 | 09 | 0281 160550 | 08, 15 | 0281 350154 | 13 |
| 0281 140060 | 01 | 0281 150370 | 09 | 0281 160570 | 01 | 0281 350203 | 13 |
| 0281 140064 | 01 | 0281 150424 | 07 | 0281 160580 | 07 | 0281 350233 | 03 |
| 0281 140070 | 01 | 0281 150434 | 09 | 0281 160590 | 07 | 0281 350250 | 13 |
| 0281 140080 | 01 | 0281 160010 | 07 | 0281 160600 | 08 | 0281 350260 | 13 |
| 0281 140090 | 01 | 0281 160023 | 07 | 0281 160610 | 06, 07 | 0281 350280 | 13 |
| 0281 140100 | 11 | 0281 160043 | 07 | 0281 160620 | 06, 07 | 0281 350300 | 13 |
| 0281 140114 | 03 | 0281 160063 | 07 | 0281 160630 | 08 | 0281 350310 | 13 |
| 0281 140120 | 01 | 0281 160070 | 07 | 0281 160633 | 08 | 0281 350340 | 01 |
| 0281 140130 | 01 | 0281 160103 | 07 | 0281 160640 | 07 | 0281 350350 | 14 |
| 0281 140140 | 01, 15 | 0281 160110 | 07 | 0281 160683 | 07 | 0281 350354 | 14 |
| 0281 140150 | 01 | 0281 160133 | 07 | 0281 160700 | 07 | 0281 350360 | 14 |
| 0281 140160 | 01 | 0281 160153 | 07 | 0281 160710 | 07 | 0281 350372 | 14 |
| 0281 140170 | 01 | 0281 160160 | 07 | 0281 160730 | 08 | 0281 350410 | 13 |
| 0281 140200 | 14 | 0281 160170 | 07 | 0281 160820 | 08 | 0281 350420 | 13 |
| 0281 140210 | 01 | 0281 160180 | 07 | 0281 161023 | 07 | 0281 350444 | 13 |
| 0281 140220 | 01 | 0281 160200 | 07 | 0281 161324 | 08 | 0281 350454 | 13 |
| 0281 140230 | 01 | 0281 160234 | 07 | 0281 161360 | 07 | 0281 350460 | 13 |
| 0281 150050 | 13 | 0281 160250 | 07 | 0281 161390 | 07 | 0281 350470 | 14 |
| 0281 150064 | 09 | 0281 160270 | 07 | 0281 161534 | 07 | 0281 350490 | 04 |
| 0281 150070 | 09 | 0281 160300 | 08 | 0281 161633 | 08 | 0281 350500 | 09 |
| 0281 150084 | 10 | 0281 160310 | 08 | 0281 170210 | 05 | 0281 380030 | 09 |
| 0281 150103 | 10 | 0281 160320 | 08 | 0281 170270 | 05 | 0281 380050 | 09 |
| 0281 150104 | 10 | 0281 160324 | 08 | 0281 170294 | 05 | 0281 380063 | 11 |
| 0281 150110 | 10 | 0281 160353 | 07 | 0281 170330 | 05 | 0281 380070 | 11 |

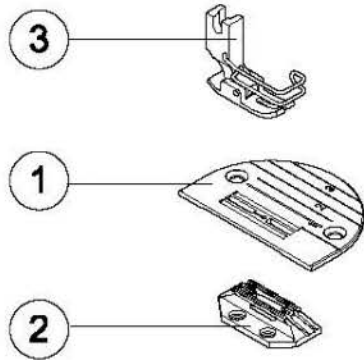
| Part No./ /件号 | Table/表 | Part No./ /件号 | Table/表 | Part No./ /件号 | Table/表 | Part No./ /件号 | Table/表 |
|---------------|---------|----------------|---------|----------------|---------|----------------|---------|
| 0281 380080 | 11 | 0281 801890 | 02 | 9202 002487 | 06, 09 | 9205 102477 | 02, 03, |
| 0281 380090 | 11 | 0556 000613 | 17 | 9202 002488 | 07 | | 07 |
| 0281 380114 | 15 | 0556 003087 CN | 11 | 9202 002497 | 06 | 9205 102538 | 06 |
| 0281 380130 | 09 | 0744 050242 | 01, 14 | 9202 002498 | 07 | 9207 170227 | 16 |
| 0281 380160 | 11 | 0798 120401 | 16 | 9202 002877 | 01, 13 | 9207 170227 CN | 15 |
| 0281 380164 | 11 | 0867 103193 | 03 | 9202 003817 | 01 | 9207 170837 CN | 15 |
| 0281 380180 | 09 | 0867 110463 | 04 | 9203 002497 | 03 | 9217 300527 | 13, 14 |
| 0281 380224 | 04 | 0867 110490 | 04 | 9203 003057 | 14 | 9225 201770 | 01 |
| 0281 380230 | 04 | 0867 110520 | 04 | 9203 003662 | 02, 06 | 9231 110107 | 03 |
| 0281 380260 | 09, 11 | 0998 880080 | 07 | 9203 003687 | 11 | 9231 110127 | 06 |
| 0281 380310 | 11 | 0998 881580 | 08 | 9203 003702 | 17 | 9234 000087 | 07 |
| 0281 400023 | 01 | 9041 100025 | 11 | 9204 101673 | 13 | 9301 022608 | 15 |
| 0281 400030 | 15 | 9041 100030 | 09 | 9204 201647 | 03, 16 | 9305 002470 | 01 |
| 0281 400040 | 15 | 9047 000032 | 11 | 9204 201657 | 01, 05, | 9305 003690 | 01 |
| 0281 400060 | 15 | 9081 500010 CN | 15 | | 06, 14 | 9330 000047 | 03 |
| 0281 400070 | 15 | 9081 500120 CN | 15 | 9204 201677 | 01, 13, | 9330 000087 | 16, 17 |
| 0281 400100 | 15 | 9081 500130 CN | 15 | | 16 | 9330 000097 | 01, 06, |
| 0281 490050 | 11 | 9081 500140 CN | 15 | 9204 201697 | 14 | | 07, 09 |
| 0281 490070 | 14, 15 | 9120 030080 | 09 | 9204 201702 | 16 | 9330 000137 | 06 |
| 0281 490080 | 16 | 9120 030150 | 03 | 9204 201717 | 03 | 9330 900097 | 03, 06, |
| 0281 490130 | 06 | 9120 080110 | 02 | 9204 201727 CN | 01 | | 16 |
| 0281 490140 | 05 | 9129 016020 | 03 | 9204 201757 | 16 | 9334 002638 | 06 |
| 0281 490210 | 12 | 9129 016050 | 02 | 9204 201957 | 08 | 9352 000080 | 06, 09 |
| 0281 590034 | 16 | 9129 020130 | 09 | 9204 201967 | 01, 05, | 9352 000100 | 06 |
| 0281 590044 | 06 | 9201 113667 | 15 | | 06, 07 | 9352 000250 | 07 |
| 0281 590050 | 06 | 9202 001677 | 09 | 9204 201997 | 01 | 9352 600118 | 13 |
| 0281 590060 | 17 | 9202 001678 | 09 | 9204 210657 CN | 04 | 9352 600187 | 07 |
| 0281 590070 | 17 | 9202 002057 | 03, 06 | 9205 024263 | 03 | 9353 000140 | 09 |
| 0281 590080 | 17 | 9202 002067 | 07, 13 | 9205 101868 | 03, 04, | 9354 406800 | 01 |
| 0281 590090 | 17 | 9202 002087 | 07 | | 09 | 9357 000070 | 06, 07, |
| 0281 700014 | 15 | 9202 002097 | 07 | 9205 102168 | 04, 07 | | 08 |
| 0281 700034 | 15 | 9202 002473 | 01, 02, | 9205 102197 | 09 | 9357 000080 | 06 |
| 0281 800290 | 02 | | 06, 07 | 9205 102473 | 02, 03, | 9357 000090 | 06, 07 |
| 0281 800300 | 02 | 9202 002477 | 11 | | 08 | 9357 000140 | 04 |

| Part No./ /件号 | Table/表 | Part No./ /件号 | Table/表 | Part No./ /件号 | Table/表 | Part No./ /件号 | Table/表 |
|----------------|---------|---------------|---------|---------------|---------|---------------|---------|
| 9401 000194 | 12 | N900 000596 | 17 | | | | |
| 9401 000204 | 12 | N900 000597 | 17 | | | | |
| 9731 007031 | 09 | N900 011038 | 17 | | | | |
| 9731 007050 | 01 | N900 012015 | 17 | | | | |
| 9740 001215 | 01 | N900 020021 | 17 | | | | |
| 9800 170031 R | 11 | N900 020023 | 17 | | | | |
| 9800 210001 R | 12 | N900 023421 | 17 | | | | |
| 9800 360104 | 11 | Z100 011022 | 01 | | | | |
| 9800 360105 | 11 | | | | | | |
| 9800 370003 | 11 | | | | | | |
| 9800 370005 | 11 | | | | | | |
| 9820 110037 | 04 | | | | | | |
| 9822 560000 | 16 | | | | | | |
| 9825 511001 CN | 14 | | | | | | |
| 9825 810222 | 11 | | | | | | |
| 9825 810409 | 11 | | | | | | |
| 9840 120027 | 16 | | | | | | |
| 9850 001083 | 16 | | | | | | |
| 9850 001309 | 12 | | | | | | |
| 9850 001311 | 12 | | | | | | |
| 9850 001340 | 12 | | | | | | |
| 9850 281001 | 14 | | | | | | |
| 9850 281001 CN | 14 | | | | | | |
| 9850 281002 | 03 | | | | | | |
| 9870 001117 | 01 | | | | | | |
| 9870 001409 CN | 14 | | | | | | |
| 9870 001411 | 14 | | | | | | |
| 9870 281000 CN | 14 | | | | | | |
| 9870 281000 | 14 | | | | | | |
| 9870 281002 | 14 | | | | | | |
| 9870 281003 | 14 | | | | | | |
| 9880 001005 | 12 | | | | | | |
| 9880 281000 | 14 | | | | | | |
| MG43 000484 | 11 | | | | | | |

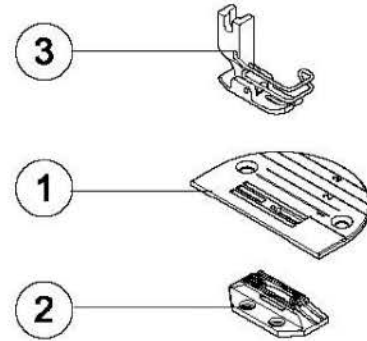




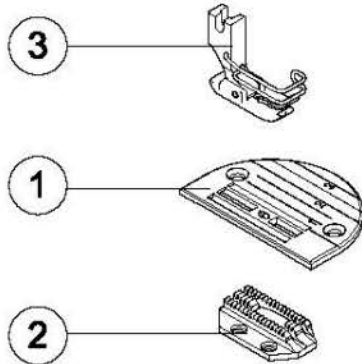
E2/20



E2/16



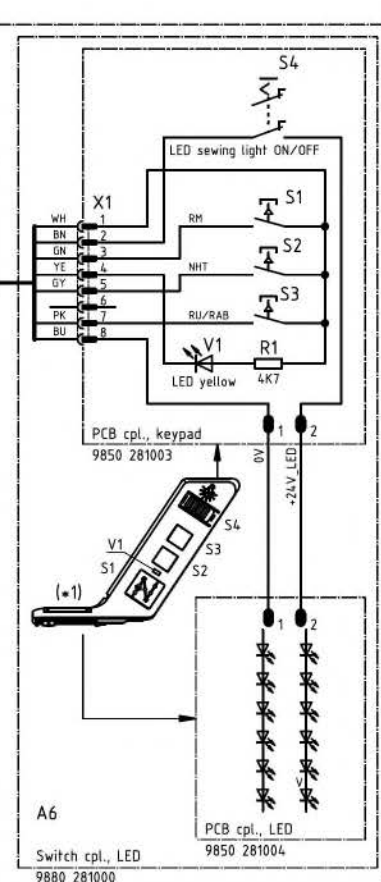
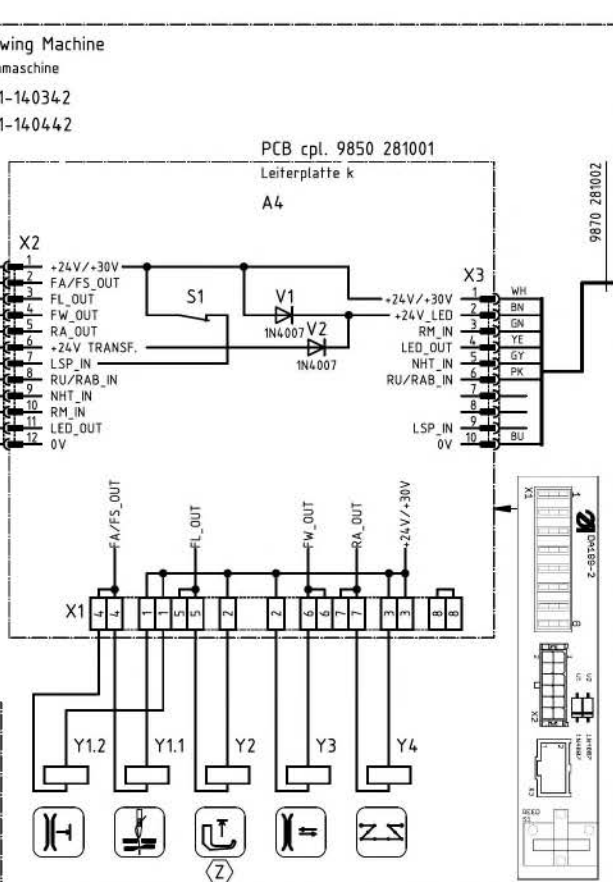
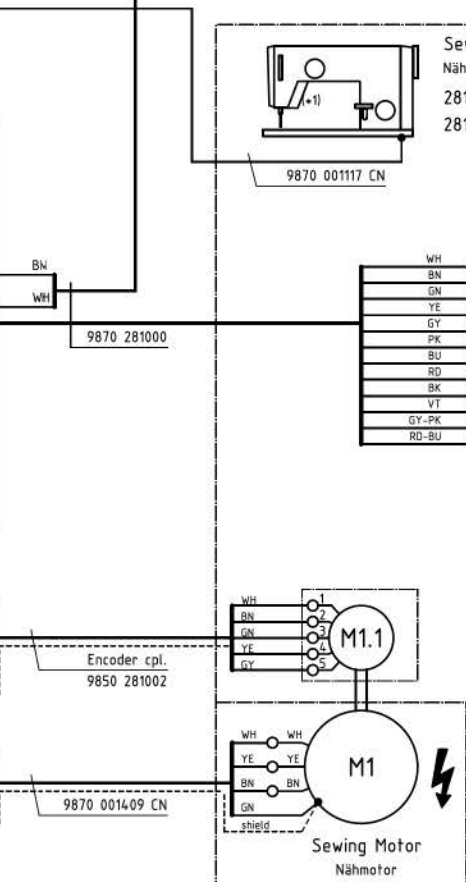
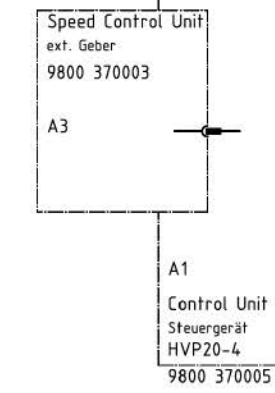
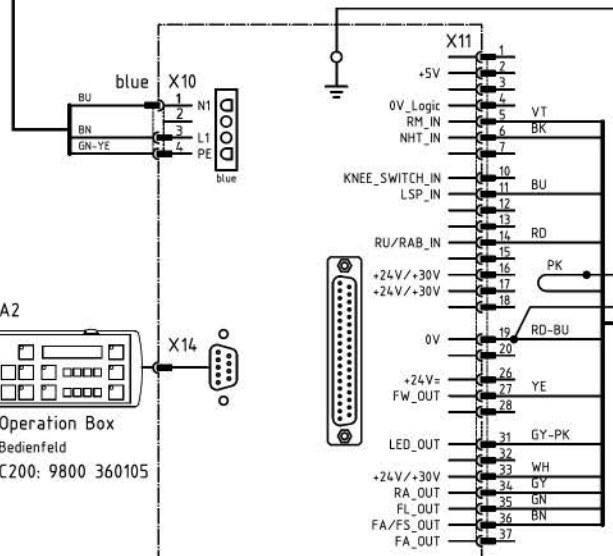
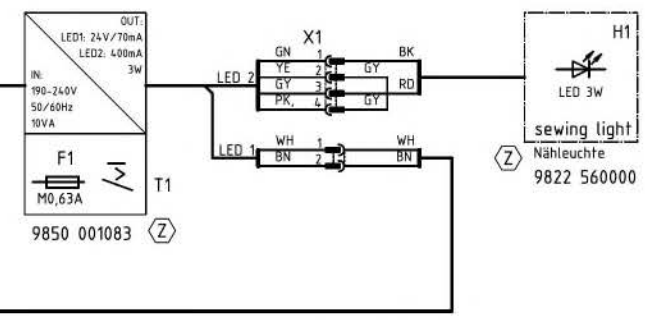
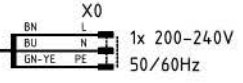
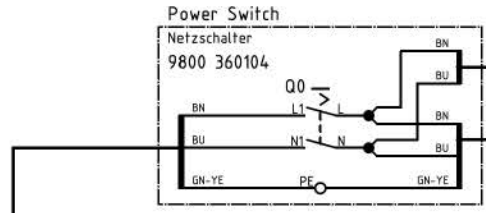
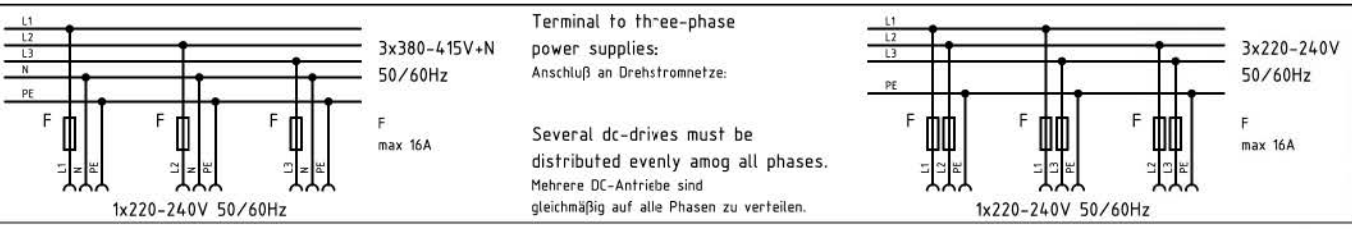
E4/20





| E-No. E-编号 Fig.No. 图示编号 | For Subclass / 适用机型 Use / 用途 | Material No. / 材料编号 | ① Throat plate / 针板 | ③ Sewing foot / 缝纫压脚 | ② Feed dog / 送布牙 | | | | Needle / 机针 | Needle system / size / 机针系列 / 规格 |
|----------------------------------|--|---------------------|------------------------|-------------------------|---------------------|--|--|--|-----------------|----------------------------------|
| E2/20 | -140342; -140442 Sewing equipment for general sewing in light weight material. Max. stitch length 4.5 mm Needle size Nm 65 - 90. Articulated foot. 该缝纫附件适用于薄料一般缝纫 最大针距:3.5mm 机针规格: NM65 - 90 活络压脚 | 0281 E00002 20 | 0281 200120 | 0281 220024 | 0281 210120 | | | | 9092 013400 080 | 134/80 |
| E2/16 | -140342; -140442 Sewing equipment for general sewing in light to medium weight material. Max. stitch length 4.5 mm. Needle size Nm 70 - 100. Articulated foot. 该缝纫附件适用于薄-中厚料一般缝纫 最大针距:4.5mm 机针规格: NM70 - 100 活络压脚 | 0281 E00002 16 | 0281 200120 | 0281 220024 | 0281 210120 | | | | | DBx1-12 |
| E4/20 | -140342 Sewing equipment for general sewing in medium weight material (for example denims). Max. stitch length 6.0 mm Needle size Nm 90 - 130. Articulated foot. 该缝纫附件适用于中厚料 (如斜纹粗棉布)一般缝纫 最大针距:4.5mm 机针规格: NM80 - 120 活络压脚 | 0281 E00004 20 | 0281 200060 | 0281 220034 | 0281 210130 | | | | 9092 013400 110 | 134/110 |

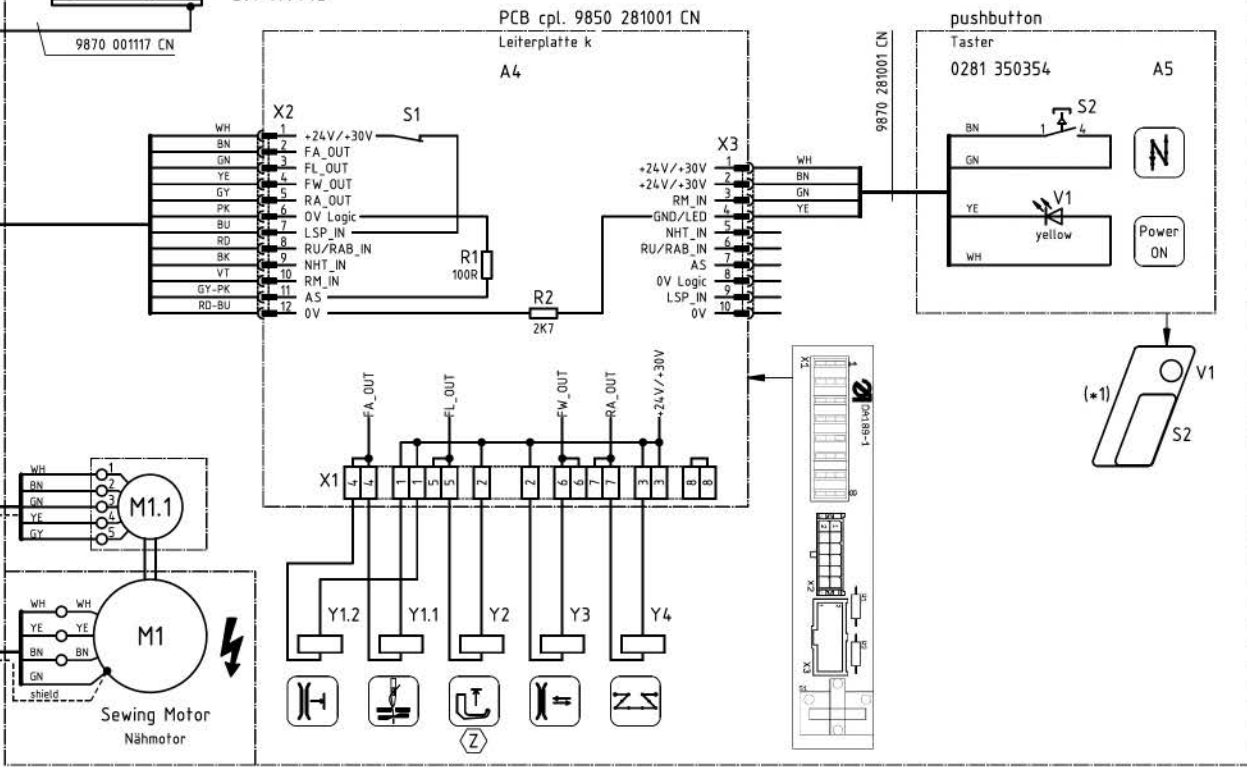
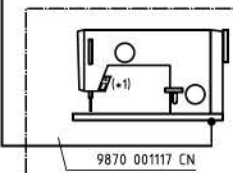
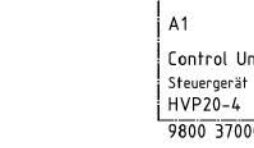
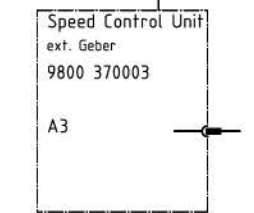
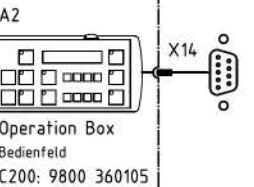
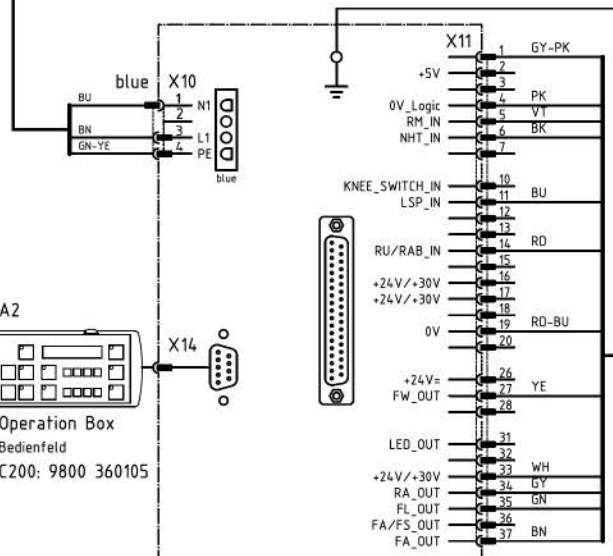
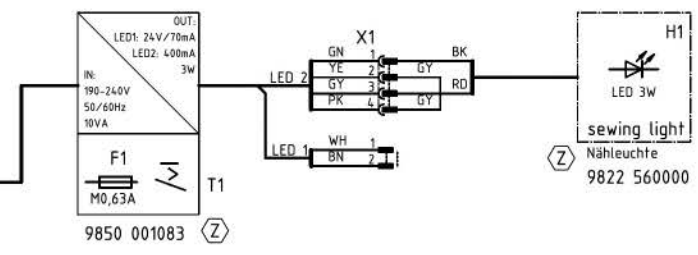
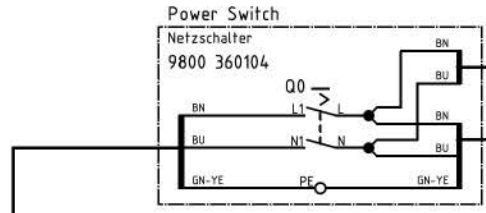
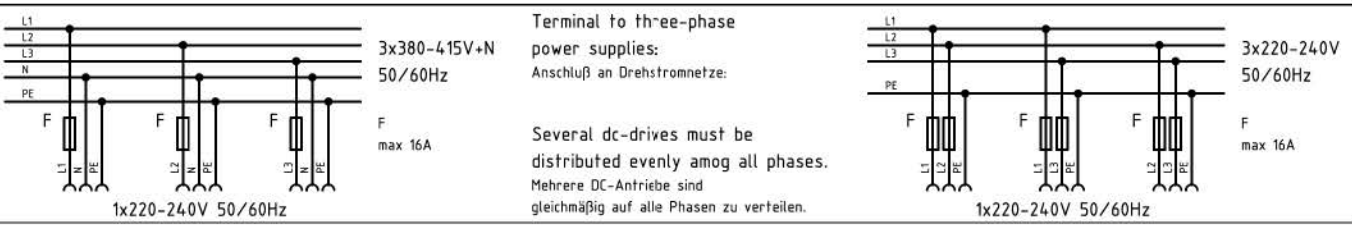
☐ = Modification / 修改



drawing valid from April 2009
 Date/ 2008-09-08
 Designer/ Czytrich
 Designer/ Priemer
 Designer/ 0145 / 05
 Cl. 281-140342; -140442
 Control Unit HVP-20-4-28-CE
 triple keypad with LED-sewinglight

| | | |
|--------------|--------------------|------|
| Denomination | connection diagram | Page |
| Part Number/ | 9890 281001 B | 1/2 |

(Z) = Optional Equipment
 Sonderausstattung



(Z) = Optional Equipment
Sonderausstattung

| | | | | | | | |
|-----------------------------|--|--|--|-----------------------------|--|---------------------------------|--|
| drawing valid to March 2009 | | | | Date/ 2008-09-08 | | Denomination connection diagram | |
| DÜRKOPP ADLER AG Bielefeld | | | | Designer/ Czytrich | | Part Number/ 9890 281001 B | |
| www.duerkopp-adler.com | | | | Checker/ Priemer | | Page 2/2 | |
| Modifications/ | | | | Release/ 0145 / 05 | | and single pushbutton | |
| | | | | Cl. 281-140342; -140442 | | | |
| | | | | Control Unit HVP-20-4-28-CE | | | |