

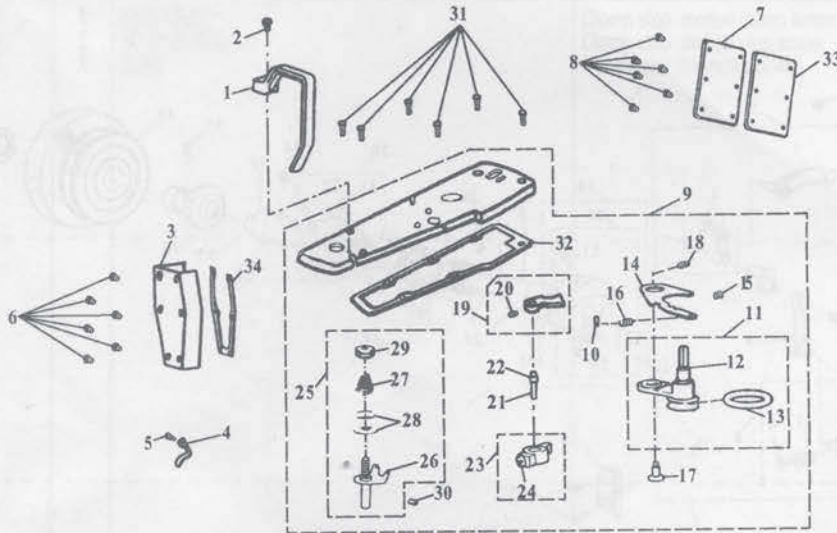
自动加油曲折缝 零件手册

ZJ20U93

AUTO-OIL FILLED ZIGZAG SEWING MACHINE PARTS BOOK

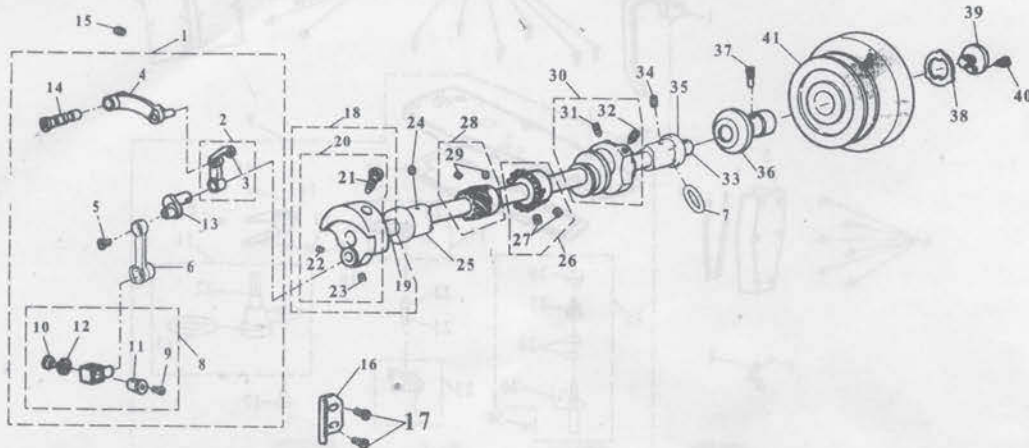


FACE PLATE, ARM TOP COVER, ARM SIDE COVER



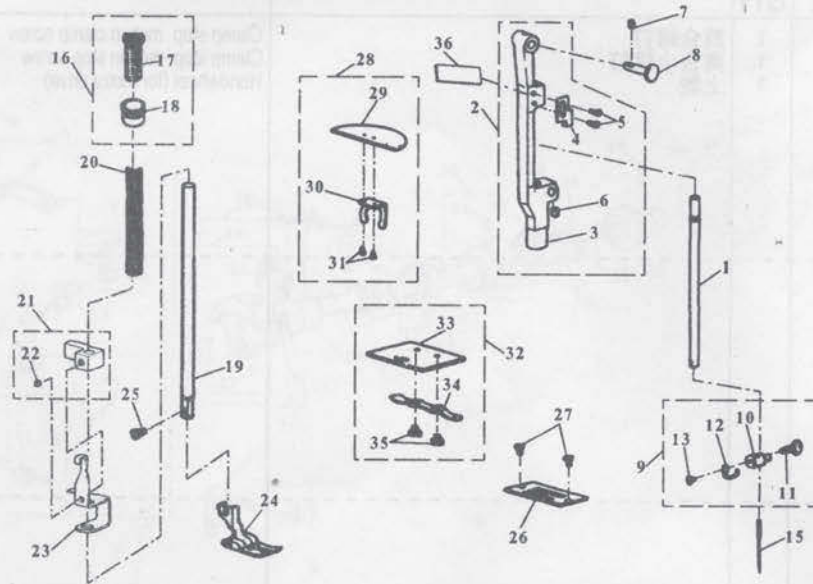
序号 NO.	型号 PART NO.	数量 QTY	名称	DESCRIPTION
1	GK191-8	1	挑线杆防护罩	Thread take-up guard
2	GS378-8	1	挑线杆防护罩螺钉	Thread take-up guard screw
3	GR406/3-8	1	面板	Face plate comp
4	GW242-8	1	线勾	Face plate thread guide
5	GS374-8	1	线勾螺钉	Face plate thread guide screw
6	GS375-8	6	面板螺钉	Face plate screw
7	GK160-8	1	后盖板	Arm side cover
8	GS132-8	6	后盖板垫片	Arm side cover set screw
9	GK187-8	1	上盖	Arm top cover comp
10	GO206-8	1	拉簧销钉	Bobbin winder bracket spacer
11	GR780/9-8	1	绕线蕊轴细件	Bobbin winder bracket comp.
12	GW172-8	1	绕线蕊轴	Bobbin winder friction wheel spring
13	GO284-8	1	橡胶圈	Bobbin winder friction o-ring
14	GR375-8	1	绕线摆柄	Bobbin winder bracket regulating plate
15	GW173-8	1	绕线摆柄压簧	Bobbin winder bracket regulating plate spring
16	GW174-8	1	绕线摆柄压簧	Bobbin winder bracket spring
17	GX218-8	1	绕线曲柄销	Bobbin winder bracket hinge stud
18	GX182-8	1	绕线曲柄销螺钉	Bobbin winder bracket hinge set screw
19	GR726-8	1	线量调节压板	Bobbin winder lever comp.
20	GS378-8	1	线量调节压板螺钉	Bobbin winder lever set screw
21	GZ246-8	1	线量调节轴	Bobbin winder lever stud
22	GO218-8	1	线量调节轴挡圈	Bobbin winder lever stud ring
23	GR481/2-8	1	绕线尾位块	Bobbin winder regulating comp.
24	GS222-8	1	绕线尾位块挡圈	Bobbin winder regulating screw
25	GR778/6-8	1	上夹线器	Bobbin winder tension comp.
26	GR234/5-8	1	上过线板组件	Bobbin winder tension stud comp.
27	GW175-8	1	上夹线簧	Bobbin winder tension spring
28	GR375-8	2	上夹线柄	Bobbin winder tension disc
29	GL175-8	1	上夹线螺母	Bobbin winder tension regulating thumb nut
30	GS275-8	1	上夹线器紧固螺钉	Bobbin winder tension set screw
31	GS680-8	6	上盖螺钉	Arm top cover screw
32	GK188-8	1	上盖垫片	Arm top cover packing
33	GK190-8	1	后盖板垫	Arm side cover packing
34	GK186-8	1	面板垫片	Face plate packing

THREAD TAKE-UP, ARM, HAND WHEEL



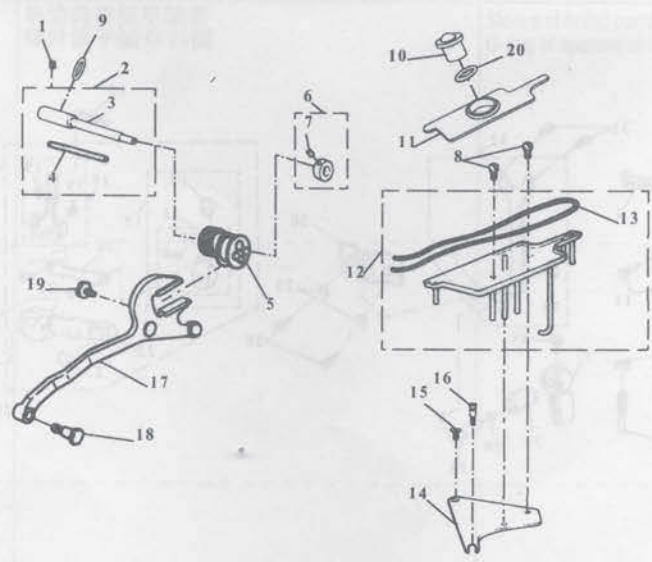
序号 NO.	型号 PART NO.	数量 QTY	名称	DESCRIPTION
1	GR1431/12-8	1	挑线杆组件	Thread take-up comp.
2	GH200-8	1	挑线杆组件	Thread take-up lever with thrad eyelet bushing
3	GH143-8	1	挑线杆	Thread take-up lever thread eyelet bushing
4	GH141-8	1	挑线摇杆	Thread take-up lever link
5	GS166-8	1	倒牙螺钉	Needle bar connecting link cap screw
6	GH160-8	1	小连杆	Needle bar connecting link
7	GO511-8	1	上轴后轴套 O 形圈	Arm shaft/horizontal flanged bushing(back) o-ring
8	GR1433/5-8	1	针杆连接轴体	Needle bar connecting stud comp.
9	GS160-8	1	针杆连接轴销紧定螺钉	Needle bar set screw
10	GS161-8	1	针杆连接轴销螺钉	Needle bar connecting stud hinge pin screw
11	GZ142-8	1	针杆连接轴销	Needle bar vonnecting stud hinge pin
12	GO141-8	1	针杆连接轴销垫圈	Needle bar connecting stud hinge pin washer
13	GH144-8	1	针杆曲柄	Thread take-up crank
14	GX144-8	1	挑线摇杆销	Thread take-up lever link hinge pin.
15	GS147-8	1	挑线摇杆销螺钉	Thread take-up lever link hinge pin set screw
16	GK254-8	1	小连杆导板	Needle bar connecting link guide
17	GS132-8	2	小连杆导板螺钉	Needle bar connecting link guide screw
18	GR1434/5-8	1	挑线曲柄组件	Arm shaft (horizontal) and needle bar crank comp.
19	GZ248-8	1	上轴	Arm shaft (horizontal)
20	GR1435/4-9	1	挑线曲柄	Needle bar crank comp.
21	GS168-8	1	挑线曲柄定位螺钉	Needle bar crank position screw
22	GS404-8	1	挑线曲柄紧定螺钉	Thread take-up crank position screw
23	GS404-8	1	挑线曲柄紧定螺钉	Thread take-up crank set screw
24	GS169-8	1	上轴前轴套螺钉	Arm shaft (horizontal)flanged bushing (front)set screw
25	GO143-8	1	上轴前轴套	Arm shaft (horizontal)flanged bushing (front)
26	GR1436/3-8	1	上轴弧齿锥齿轮	Arm shaft (horizontal)bevel gear comp.
27	GS167-8	2	上轴弧齿锥齿轮螺钉	Arm shaft (horizontal)bevel gear set screw
28	GR1437/3-8	1	上轴螺旋齿轮	Arm shaft (horizontal)worm gear comp.
29	GS170-8	2	上轴螺旋齿轮螺钉	Arm shaft (horizontal)worm gear set screw
30	GR1438-8	1	送布凸轮组件	Feed and feed lifting eccentric comp.
31	GS251-8	1	送布凸轮定位螺钉	Feed and feed lifting eccentric position screw
32	GS251-8	1	送布凸轮紧定螺钉	Feed and feed lifting eccentric set set screw
33	GT153-8	1	送布凸轮	Feed and feed lifting eccentric ring
34	GS277-8	1	上轴后轴套螺钉	Arm shaft (horizontal) fanged bushing (back) set screw
35	GO510-8	1	上轴后轴套	Arm shaft (horizontal) fanged bushing (back)
36	GO209-8	1	上轮套筒	Clamp stop motion flanged bushing
37	GS380-8	1	上轮套螺钉	Clamp stop motion flanged gushing set screw
38	GE380-8	1	离合垫圈	Clamp stop motion clampo washer

NEEDLE BAR, PRESSER BAR, THROAT PLATE



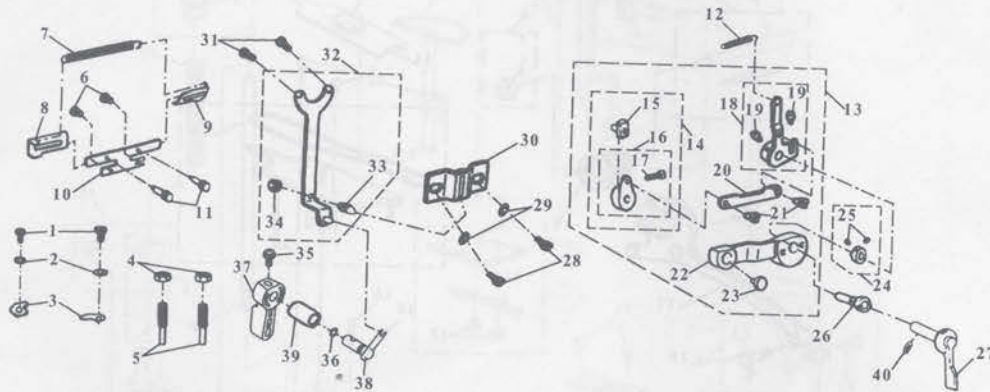
序号 NO.	型号 PART NO.	数量 QTY	名称	DESCRIPTION
1	GZ223-8	1	针杆	Needle bar (hollow)
2	GR485/5-8	1	针杆摆动架组件	Needle bar frame comp.
3	GR251-8	1	针杆摆动架	Needle bar frame
4	GR255-8	1	针杆定位片	Needle bar timing indicator plate
5	GS163-8	2	针杆定位片螺钉	Needle bar timing indicator plate screw
6	GS158-8	1	针杆紧定螺钉	Zigzag stitch regulator fork eccentric connection pin set screw
7	GS164-8	1	针杆摆动架销螺钉	Needle bar frame pin set screw
8	GX143-8	1	针杆摆动架	Needle bar frame pin
9	GR484/4-8	1	针夹组件	Needle clamp comp.
10	GR467-8	1	针夹	Needle clamp
11	GS290-8	1	线勾螺钉	Needle clamp thumb screw
12	GR466-8	1	针杆线勾	Needle clamp thread guard
13	GS289-8	1	机针紧定螺钉	Needle clamp thread guard set screw
15	GV130-8	1	机针	Needle (size#14)
16	GR1440/2-8	1	调压螺钉组件	Presser regulating thumb screw nut comp.
17	GS384-8	1	调压螺钉	Presser regulating thumb screw
18	GC178-8	2	调压螺母	Presser regulating thumb screw nut
19	GZ187-8	1	压紧杆	Presser bar
20	GW153-8	1	压杆簧	Presser bar Spring
21	GR1395-8	1	压杆导架	Presser bar guide Bracket comp.
22	GS232-8	1	压杆导架螺钉	Presser bar guide Bracket screw
23	GR1394-8	1	挺杆导架螺钉	Presser bar lifting and releasing lever bracket
24	GR465/4-8	1	挺线定位座	Presser foot (Spring Hinged) Comp.
25	GS231-8	1	压脚螺钉	Presser foot screw
26	GM156-8	1	针板	Throat plate
27	GS338-8	2	针板螺钉	Throat plate screw
28	GR477/4-8	1	针板内盖板组件	Bed plate comp.
29	GM130-8	1	针板内盖板	Bed plate
30	GW130-8	1	针板内盖板簧	Bed plate bracket
31	SG255-8	2	针板内盖板螺钉	Bed plate bracket screw
32	GR476/4-8	1	推板组件	Bed slide comp.
33	GM132-8	1	推板	Bed slide
34	GW131-8	1	推板簧	Bed slide spring
35	GM156-8	2	推板簧螺钉	Bed slide spring screw
36	GR1384-8	1	针杆摆动架毛毡	Needle bar frame oil felt

ZIGZAG TRINGULAR CAM, HOOK ADVANCING CRANK



序号 NO.	型号 PART NO.	数量 QTY	名称	DESCRIPTION
1	GS147-8	1	摆针轴螺钉	Zigzag triangulat cam shaft set screw
2	GR1441/2-8	1	摆针轴组件	Zigzag triangulat cam shaft comp.
3	GZ219-8	1	摆针轴	Zigzag triangular camp shaft
4	GZ221-8	1	摆针轴油线	Zigzag triangular camp shaft oil wick
5	GR145/6-8	1	摆针齿轮组件	Zigzag triangular camp shaft oil comp.
6	GR1442/3-8	1	摆针轴挡圈	Zigzag triangular cam shaft coller comp.
7	GS223-8	2	摆针轴挡圈螺钉	Zigzag triangular cam shaft coller set screw
8	GS132-8	1	小油盘螺钉	Oil reservoir set screw
9	GR1386-8	1	摆针轴 O 型圈	Zigzag triangulat camp shaft o-ring
10	GR1386-8	1	油窗	Oil gauge window
11	GR1390-8	1	小油盘上盖	Oil reservoir top cover
12	GR1387-8	1	小油盘组件	Oil Reservoir comp.
13	GR1391-8	1	小油盘油线	Oil reservoir oil wick
14	GK195-8	1	小油盘安装板	Oil reservoir plate
15	GS256-8	1	小油盘安装板螺钉	Oil reservoir plate set screw (back)
16	GS212-8	1	拉簧螺钉	Oil reservoir plate set screw (front)
17	GR288-8	1	横针拨叉	Zigzag stitich regulator fork
18	GX155-8	1	针杆偏心销	Zigzag stitich regulator fork eccentric connection pin
19	GS291-8	1	摆针滑块螺钉	Bight amplitude side block cap screw
20	GR978-8	1	油窗 O 形圈	Oil gauge window o-ring

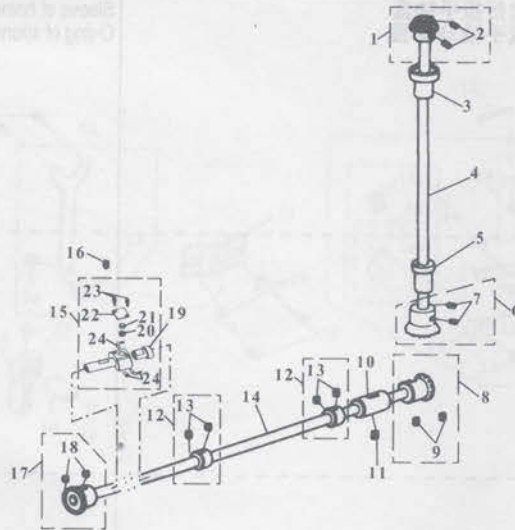
ZIGZAC TRIANGULAR CAM, HOOK ADVANCING CRANK



序号 NO.	型号 PART NO.	数量 QTY	名称	DESCRIPTION
1	GS256-8	2	摆针针距定位块螺钉	Bight amplitude stop plate (left) (right) screw
2	GO174-8	2	摆针针距定位块垫圈	Bight amplitude stop plate (left) (right) washer
3	GR289-8	2	摆针针距定位块	Bight amplitude stop plate (left) (right)
4	GL153-8	2	摆针定位块调节螺母	Bight and L-C-R position lever arm regulating screw nut
5	GS215-8	2	摆针定位块调节螺钉	Bight and L-C-R position lever arm regulating screw
6	GS213-8	2	摆针针距定位架螺钉	Bight amplitude regulating plate holder set screw
7	GW142-8	1	摆针针距定位架拉簧	Bight amplitude regulating plate spring
8	GR290-8	1	摆针针距调节架(A)	Bight amplitude regulating plate (left)
9	GR291-8	1	摆针针距调节架(B)	Bight amplitude regulating plate (right)
10	GR294-8	1	摆针针距定位架	Bight amplitude regulating plate holder
11	GS383-8	2	摆针定位螺钉	Bight amplitude regulating plate thumb screw
12	GW141-8	1	摆针调节曲柄弹簧	Bight amplitude slide block srank spring
13	GR521-8	1	摆针定位组件	Bight amplitude slide block srank and guide comp.
14	GR519-8	1	摆针滑块组件	Bight amplitude slide block srank and slideblock
15	GO140-8	1	摆针滑块	Bight amplitude slide block
16	GR298-8	1	摆针导块座	Bight amplitude slide block srank guide comp.
17	GS185-8	1	摆针导块座螺钉	Bight amplitude slide blocksrank guides sdt set screw
18	GR292/3-8	1	摆针调节曲柄组件	Bight amplitude slide block srank guide comp.
19	GS214-8	2	摆针调节曲柄螺钉	Bight amplitude slide block srank set screw
20	GH178-8	1	摆针调节连杆	Bight amplitude slide block srank link
21	GS216-8	2	差动连杆连接螺钉	Bight amplitude slide block srank link hinge screw
22	GR296-8	1	摆针定位块	Bight and L-C-R positing lever arm
23	GX154-8	1	摆针导块连接销	Bight amplitude slide block guide stud
24	GR1442/3-8	1	摆针板手定位挡圈	Bight amolitude slide block srank shaft bushing coller comp.
25	GR218-8	2	摆针板手定位挡圈螺钉	Bight amolitude slide block srank shaft bushing coller set screw
26	GO286-8	1	摆针板手轴套	Bight amplitude slide block crank shaft bushing
27	GR731-8	1	摆针板手	Bight amplitude slide block crank shaft knob comp.
28	GS278-8	2	单边曲折定位架螺钉	Bight amplitude L-C-R positing block set screw
29	GO217-8	2	单边曲折定位架垫圈	Bight amplitude L-C-R positing block washer
30	GR468-8	1	单边曲折定位加要	Bight amplitude L-C-R positing block
31	GS223-8	2	单边曲折调节架螺钉	Bight amplitude L-C-R positing lever set screw
32	G R 1 3 8 5 - 8	1	单边曲折调节架组件	Bight amplitude L-C-R positing lever comp.
33	GS281-8	1	单边曲折定位钉	Bight amplitude L-C-R positing lever screw pin
34	GL163-8	1	单边曲折定位钉螺母	Bight amplitude L-C-R positing lever screw pin nut
35	GS322-8	1	单边曲折扳手螺钉	Bight amplitude L-C-R positing lever thumb stud screw
36	GR621-8	1	单边曲折扳手轴 O 形圈	Bight amplitude L-C-R positing lever thumb stud washer
37	GR619-8	1	单边曲折扳手	Bight amplitude L-C-R positing lever thumb stud
38	GZ263-8	1	单边曲折扳手轴	Hand component shaft

序号 NO.	型号 PART NO.	数量 QTY	名称	DESCRIPTION
39	GO512-8	1	单边曲折扳手轴套	Sleeve of homd component shaft
40	GO420-8	1	摆针扳手轴 O 形圈	O-ring of spanner of swaying needle

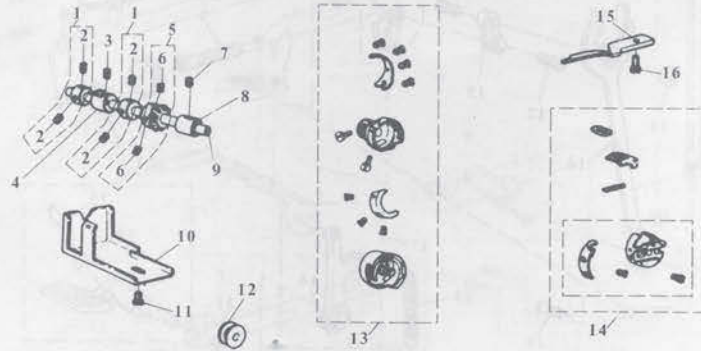
ARM SHAFT (UPRIGHT), ROTATING HOOK DRIVE SHAFT



序号 NO.	型号 PART NO.	数量 QTY	名称	DESCRIPTION
1	GR1444/3-8	1	立轴弧齿锥齿轮(上)	Arm shaft (upright) bevel bear (upper) comp.
2	GS199-8	2	立轴弧齿锥齿轮螺钉	Arm shaft (upright) bevel gear (upper) set screw.
3	GO228-8	1	立轴上轴套	Arm shaft (upright) gevel bear (upper)
4	GZ224-8	1	立轴	Arm shaft (upright)
5	GO229-8	1	立轴下轴套	Arm shaft (upright) bushing (lower)
6	GR1445/3-8	1	立轴弧齿锥齿轮(下)	Arm shaft (upright) bushing (lower) comp.
7	GS199-8	2	立轴弧齿锥齿轮螺钉	Arm shaft (upright) bushing (lower) set screw
8	GR1446/3-8	1	下轴弧齿锥齿轮(右)	Rotating hook drive shaft screw gear (back) comp.
9	GS199-8	2	下轴弧齿锥齿轮	Rotating hook drive shaft screw gear (back) set screw
10	GO231-8	1	下轴后轴套	Rotating hook drive shaft bushing (back)
11	GS147-8	1	下轴后轴套螺钉	Rotating hook drive shaft bushing (back) set screw
12	GR1447/3-8	2	下轴后轴套挡圈	Rotating hook drive shaft retainer collar comp.
13	GS199-8	4	下轴后轴套螺钉	Rotating hook drive shaft retainer collar set screw
14	GZ225-8	1	下轴	Rotating hook drive
15	G0162-8	1	油泵组件	Rotating hook drive shaft bushing (front)
16	GS147-8	1	油泵紧固螺钉	Rotating hook drive shaft bushing (front) setscrew
17	GR1448/3-8	1	下轴弧齿锥齿(轮左)	Rotating hook drive shaft bevel gear (front) comp.
18	GS199-8	2	下轴弧齿锥齿轮螺钉	Rotating hook drive shaft bevel gear (front) set screw
19	GZ168-8	1	动泵轴	Oil pump shaft
20	GZ269-8	1	油泵柱塞	Oil pump stopper
21	GW272-8	1	油泵柱塞弹簧	Oil pump stopper spring
22	GK196-8	1	油泵柱塞压板	Oil pump stopper pressural plate
23	GS687-8	2	油泵柱塞压板螺钉	Oil pump stopper pressural plate screw
24	GR1396-8	1	油泵筒管	Oil pump tube

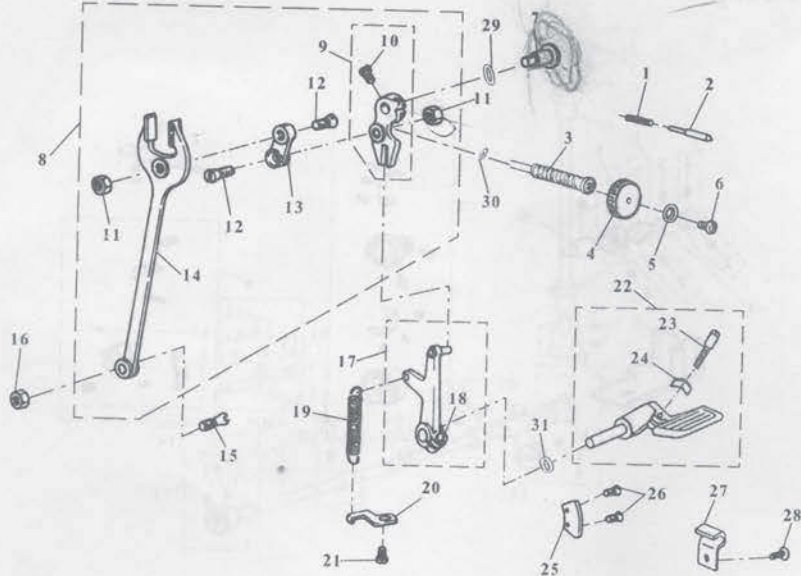
HOOK, BOBBIN CASE

HOOK, BOBBIN CASE



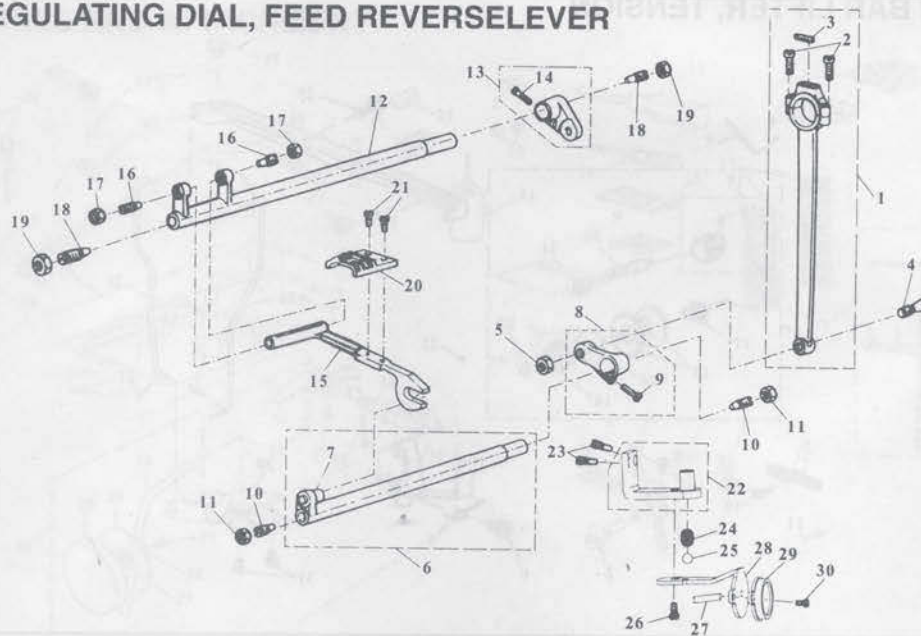
序号 NO.	型号 PART NO.	数量 QTY	名称	DESCRIPTION
1	GR1449/3-8	2	旋梭轴挡圈	Rotating hook shaft retainer collar comp.
2	GS202-8	4	旋梭挡圈螺钉	Rotating hook shaft retainer collar screw
3	GS201-8	1	旋梭轴轴套螺钉	Rotating hook shaft bushing (shot) set screw
4	GO165-8	1	旋梭轴轴套	Rotating hook shaft bushing (shot)
5	GR1450/3-8	1	旋梭轴弧齿锥齿轮	Rotating hook shaft bevel gear comp.
6	GS167-8	2	旋梭轴弧齿锥齿轮螺钉	Rotating hook shaft bevel gear set screw
7	GS201-8	1	旋梭轴前轴套螺钉	Rotating hook shaft bushing (long) set screw
8	GO163-8	1	旋梭轴前轴套	Rotating hook shaft gushing (long)
9	GZ164-8	1	旋梭轴	Rotating hook shaft
10	GK130-8	1	旋梭防护罩	Rotating hook shaft bevel gear cover
11	GS132-8	1	旋梭防护罩螺钉	Rotating hook shaft bevel gear cover screw
12	GN135-8	1	梭心	Rotating hook bobbin
13	GM131-8	1	旋梭	Rotating hook bobbin case hlder comp.
14	GN135-8	1	梭子	Rotating hook bobbin case scrw
15	GR278-8	1	旋梭定位板	Rotating hook bobbin case tension spring nrocket
16	GS256-8	1	旋梭定位板螺钉	Rotating hook bobbin hlder position bract screw

HOOK, BOBBIN CASE



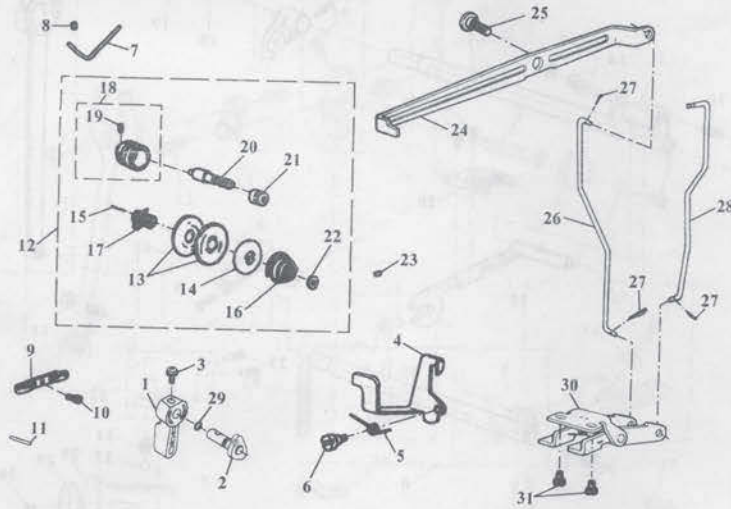
序号 NO.	型号 PART NO.	数量 QTY	名称	DESCRIPTION
1	GW167-8	1	针距定位钉压簧	Feed regulating stud lock pin sprign
2	GS685-8	1	针距定位钉	Feed regulating stud lock pin
3	GS684-8	1	针距调节螺杆	Feed regulating stud
4	GR738-8	1	针距旋钮	Feed regulating dial
5	GO380-8	1	针距旋钮螺钉垫圈	Feed regulating dial screw washer
6	GS387-8	1	针距旋钮螺钉	Feed regulating dial screw
7	GX302-8	1	针距座销	Feed regulating hinge stud
8	GR1452/2-8	1	牙叉组件	Feed forked connection comp.
9	GR1451/2-8	1	针距座	Feed regulating comp.
10	GS263-8	1	针距座螺钉	Feed regulating hinge stud set screw
11	GC142-8	2	小圆锥螺母	Feed connection link hinge scrw nut
12	GS188-8	2	送布曲柄螺钉	Feed connection link hinge screw
13	GH157-8	1	针距座连杆	Feed connection link
14	GR267-8	1	牙叉	Feed forked connection
15	GS188-8	1	小圆锥螺钉	Feed forked connection hinge screw
16	GC142-8	1	小圆锥螺母	Feed forked connection hinge screw nut
17	GR3412/2-8	1	倒针曲柄组件	Feed reverse lever link comp.
18	GS142-8	1	倒针曲柄螺钉	Feed reverse lever link screw
19	GW166-8	1	倒针复位拉簧	Feed reverse lever return spring
20	GR339-8	1	倒针复位拉簧钩	Feed reverse lever return spring bracket
21	GS256-8	1	倒针复位拉钩螺钉	Feed reverse lever lriturn spring bracket screw
22	GR735-8	1	倒针扳手组件	Feed reverse lever screw
23	GS1453/3-8	1	倒针调节螺钉	Feed reverse lever adjusting screw
24	GW200-8	1	倒针调节挡板	Feed reverse lever adjusting scrw friction
25	GR737-8	2	倒针调节指示牌	Reverse feed indicator plate
26	GS42	1	倒针调节指示牌螺钉	Reverse feed indicator plate set screw
27	GR736-8	1	倒针调节挡板	Feed reverse liver adjusting screw stopper
28	GS386-8	1	倒针调节挡板螺钉	Feed reverse lever adjusting screw stopper set screw
29	GO514-8	1	针距座销 O 形圈	Feed reverse hinge stud o-ring
30	GR655-8	1	针距调节螺杆 O 形圈	Feed regnlating stud o-ring
31	GO514-8	1	倒针扳手轴 O 形圈	Feed reverse lever o-ring

FEED REGULATING DIAL, FEED REVERSE LEVER



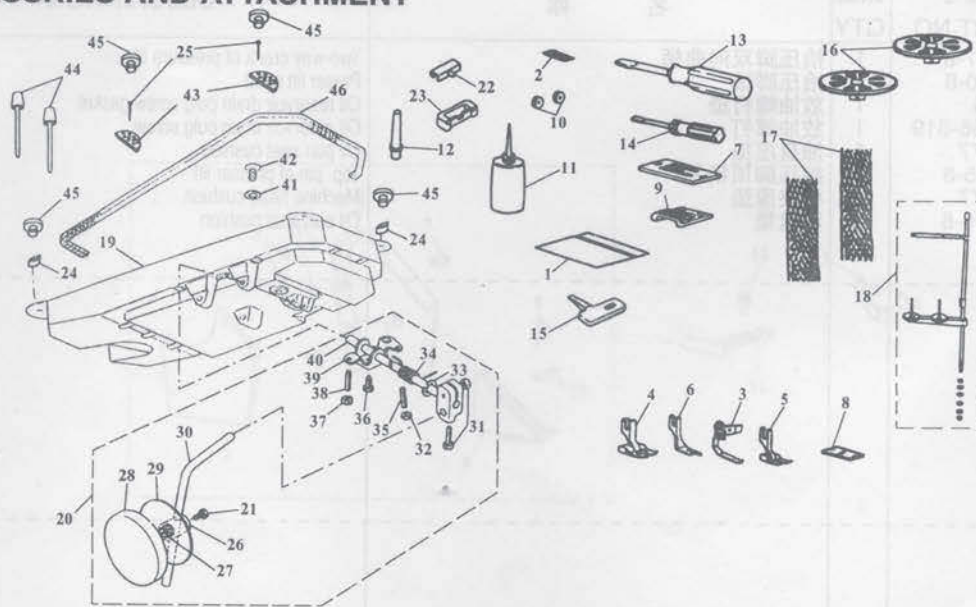
序号 NO.	型号 PART NO.	数量 QTY	名称	DESCRIPTION
1	GR504-8	1	拾牙连杆组件	Feed lifting rock shaft crank connecting rod comp.
2	GS142-8	2	拾牙连杆螺钉	Feed lifting rock shaft crank connecting rod cap screw
3	GR268-8	1	油毡	Feed lifting rock shaft crank connecting rod cap pad (felt)
4	GS188-8	1	小圆锥螺钉	Feed lifting rock shaft crank connecting rod hinge screw
5	GC142-8	1	小圆锥螺母	Feed lifting rock shaft crank connecting rod hinge screw nut
6	GR269-8	1	拾牙连杆组件	Feed lifting rock shaft comp.
7	GZ151-8	1	拾牙连杆	Feed lifting rock shaft roller and stud
8	GH1454/2-8	1	拾牙曲柄	Feed lifting rock shaft crank comp.
9	GS185-8	1	拾牙曲柄螺钉	Feed lifting rock shaft crank clamping screw
10	GR743-8	2	小圆锥螺钉	Feed lifting rock shaft screw center
11	GS263-8	2	小圆锥螺母	Feed lifting rock shaft screw center nut
12	GZ152-8	1	送由轴	Feed rock shaft
13	GR1455/2-8	1	送布曲柄	Feed rock shaft crank comp.
14	GS185-8	1	送布曲柄螺钉	Feed rock shaft crank clamping screw
15	GR265-8	1	牙架	Feed bar
16	GS183-8	2	牙架小顶尖螺钉	Feed bar screw center
17	GL140-8	2	牙架A顶尖螺母	Feed bar screw center nut
18	GR774-8	2	小圆锥螺钉	Feed rock shaft screw center
19	GS263-8	2	小圆锥螺母	Feed rock shaft screw center nut
20	GS160-8	1	送料牙	Feed dog
21	GS184-8	2	送料牙螺钉	Feed dog screw
22	GK199-8	1	固定架	Holding yoke
23	GS690-8	2	固定架紧固螺钉	Holding yoke fastening screw
24	GW274-8	1	滚珠弹簧	Roller spring
25	GO598-8	1	滚珠	Roller
26	GS688-8	1	滚珠螺钉	Roller screw
27	GR1400-8	1	吸油管	Oil suction pipe
28	GK198-8	1	滤油架	Splashing yoke of oil
29	GR1404-8	1	过滤罩	Filter sieve
30	GS687-8	1	滤油罩螺钉	Filter sieve screw

PRESSER BAR LIFTER, TENSION



序号 NO.	型号 PART NO.	数量 QTY	名称	DESCRIPTION
1	GR619-8	1	压脚扳手	Presser bar lifter
2	GT160-8	1	压脚扳手轴	Presser bar lifter cam stud
3	GR621-8	1	压脚扳手螺钉	Presser bar lifter screw
4	GK192-8	1	松线杠杆	Tension releasing lever
5	GW135-9	1	松线杠杆扭簧	Tension releasing lever spring
6	GS148-8	1	松线杠杆螺钉	Tension releasing lever hinge screw
7	GS379-8	1	双孔过线架	Thread retainar
8	GS139-7	1	双孔过线架螺钉	Thread retainer set screw
9	GR231-8	1	双过线架	Thread guard (upper)
10	GS223-8	1	双过线架螺钉	Thread guard (upper) set screw
11	GX180-8	1	过线柱	Thread guard pin
12	GR1456/11-8	1	夹线器组件	Tension comp.
13	GR237-8	2	夹线板	Tension disc
14	GR238-8	1	松线板	Tension releasing disc
15	GX132-8	1	松线钉	Tension releasing pin
16	GW208-8	1	夹线簧	Tension spring
17	GW131-78	1	挑线簧	Tension take-up spring
18	GR1457/2-8	1	挑线簧调节座	Tension take-up spring regulator comp.
19	GS147-8	1	夹线器紧定螺钉	Tension stud set screw
20	GS145-8	1	夹线螺钉	Tension stud
21	GL176-8	1	夹线螺母	Tension releasing thumb nut
22	GR239-8	1	制动板	Tension releasing thumb nut washer
23	GS146-8	1	夹线器螺钉架紧定螺钉	Tension take-up spring regulator screw
24	GZ204-8	1	抬压脚杠杆	Lifting lever
25	GS235-8	1	抬压脚杠杆螺钉	Lifting lever hinge screw
26	GR323-8	1	膝提压脚杠杆	Lifting lever connecting rod
27	GS184-8	2	开口销	Lifting lever connecting rod pin
28	GZ206-8	1	膝提供针杠杆	Bight amplitude slide block crank knee operating connection
29	GR621-8	1	压脚扳手轴 O 形圈	Presser bar lifter cam stud o-ring
30	GR328/10-8	1	膝提杠杆座	Bell crank comp.
31	GS683-8	2	膝提杠杆座螺钉	Bell crank bracket screw

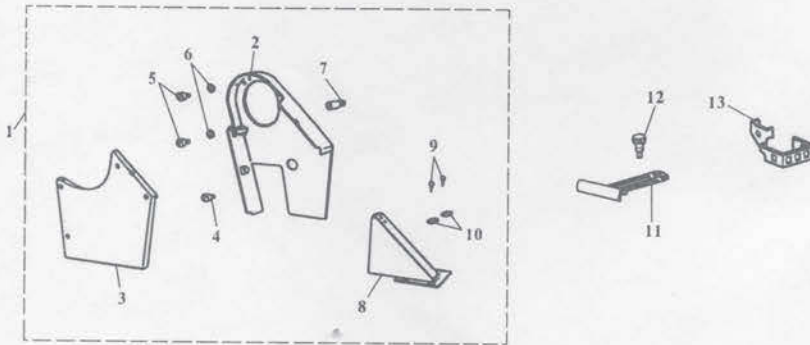
ACCESSORIES AND ATTACHMENT



序号 NO.	型号 PART NO.	数量 QTY	名称	DESCRIPTION
1		1	线箱	Accessory box
2	GV130-8	3	机针	Needle (size #14)
3	GF109-8	1	拉链缝压脚组件	Zipper foot
4	GM172-8	1	扣眼压脚	Presser foot (spring hinged) comp.(for botton holing)
5	GM107/4-8	1	平缝压脚部件	Presser foot (spring hinged) comp.(fro straight stitching)
6	GM108-8	1	包边压脚	Hemmerfoot complete
7	GM104-8	1	平缝针板	Throat plate (for straight stitching)
8	GM134-8	1	绣花板	Throat plate (for embroidery)
9	GM106-8	1	平缝送料牙	Feed dog (for straight stitching)
10	FM132-8	2	梭心	Rotating hook bobbin
11	FG 117-8	1	油壶	Oiler (80cc filler with singer type C-oil) (for treadle operation)
12	GBR211-8	1	机头柜	Machine rest pin (for motor drive)
13	GH114-8	1	螺丝刀(大)	Screw drive (large)
14	GF116-8	1	螺丝刀(小)	Screw drive (small)
15	GR788-8	1	T形开刀	Screw drive (for throat plate)
16	GR789-8	2	双线团座	Thread unwinder spool cap
17	GR790-8	2	双线团	Thread unwinder spool net
18	GR760/25-8	1	双线团架组件	Thread unwinder complete (for two spools)
19	GR1397-8	1	大油盘	Drip pan
20		1	膝提组件	Control lever components
21	GS352-8	1	节头螺钉	Tip screw
22	GP142-8	2	机头连接钉	Hand wheel (for treadle operation)
23	GR696/2-8	2	连接钉座	Machine hinge
24	GR687-8	2	油盘支座	Oil pan seat
25	GBX141-8	2	操纵杆节头	Oil pan seat nail
26	GR695-8	1	操纵杆垫	Control laever tip
27	GR694-8	1	操纵杆垫	Control lever chshion
28	GR693-8	1	操纵板软垫	Control plate
29	GR692-8	1	操纵板	Control lever
30	GR691-8	1	操纵杆	Control lever tip screw of pressure lift
31	GS358-8	2	操纵杆节头螺钉	Position adjusting nut of two-way crank
32	GL170-8	1	双向曲柄限位调节螺母	Open retaining ring of pressure lift shaft
33	GR688-8	1	摺压脚轴开口挡圈	Twisting lpring of two-way crank
34	GW196-8	1	双向曲柄扭簧	Tow-way crank screw
35	GS357-8	1	双向曲柄限位调节螺钉	Position adjusting screw of two-way crank
36	GS356-8	1	双向曲柄螺钉	Tow-way crank scrank
37	GL170-8	1	双向曲柄限位调节螺钉	Position adjusting nut of two-way crank
38	GS357-8	1	双向曲柄限位调节螺钉	Position adjusting screw of two-way crank

序号 NO.	型号 PART NO.	数量 QTY	名称	DESCRIPTION
39	GK197-8	1	抬压脚双向曲柄	Two-way crank of pressure lift
40	GZ270-8	1	抬压脚轴	Pressr lift shaft
41	54754	1	放油螺钉垫	Oil reservoir drain pulg screw gasket
42	454036-819	1	放油螺钉	Oil reservoir drain pulg screw
43	368377	1	油盘座垫	Oil pan seat cushion
44	GX305-8	2	抬压脚顶销杆	Top pin of presser lift
45	368377	4	机夹座垫	Machine head cushion
46	GR686-8	1	油盘垫	Oil pan seat cushion

ACCESSORIES AND ATTACHMENT



序号 NO.	型号 PART NO.	数量 QTY	名称	DESCRIPTION
1		1	防护罩组件	Belt guard comp.
2	GR2331-8	1	上轮罩壳	Belt guard (upper)
3	GR2330-8	1	上轮后罩壳	Belt guard (upper) cover
4	GS3342-8	1	防护罩在螺钉	Belt guard (upper) screw
5	GS3343-8	2	防护罩小螺钉	Belt guard (upper) screw
6	GO2332-8	2	防护罩小螺针垫片	Belt guard (upper) screw washer
7	GS3344-8	1	支承螺钉	Belt guard (upper) screw stud
8	GR2332-7	1	皮带后罩	Belt guard (lower)
9	GBS204-8	2	皮带后罩安装螺钉	Belt guard (lower) wood screw
10	GBR210-8	2	皮带后罩螺钉垫片	Belt guard (lower) wood screw washer
11	FM105-8	1	包边挡板	Cloth guide
12	GS665-8	1	包边挡板螺钉	Cloth guide thumb screw
13	GR1000-8	1	保针架	Finger guard