



超高速包缝机

ZJ900S系列

SUPER HIGH-SPEED OVERLOCK SEWING MACHINE

使用说明书 零件手册

OPERATION MANUAL
PARTS BOOK

中国·中捷缝纫机股份有限公司
ZOJE SEWING MACHINE CO., LTD.

地址：浙江玉环文泰经济开发区

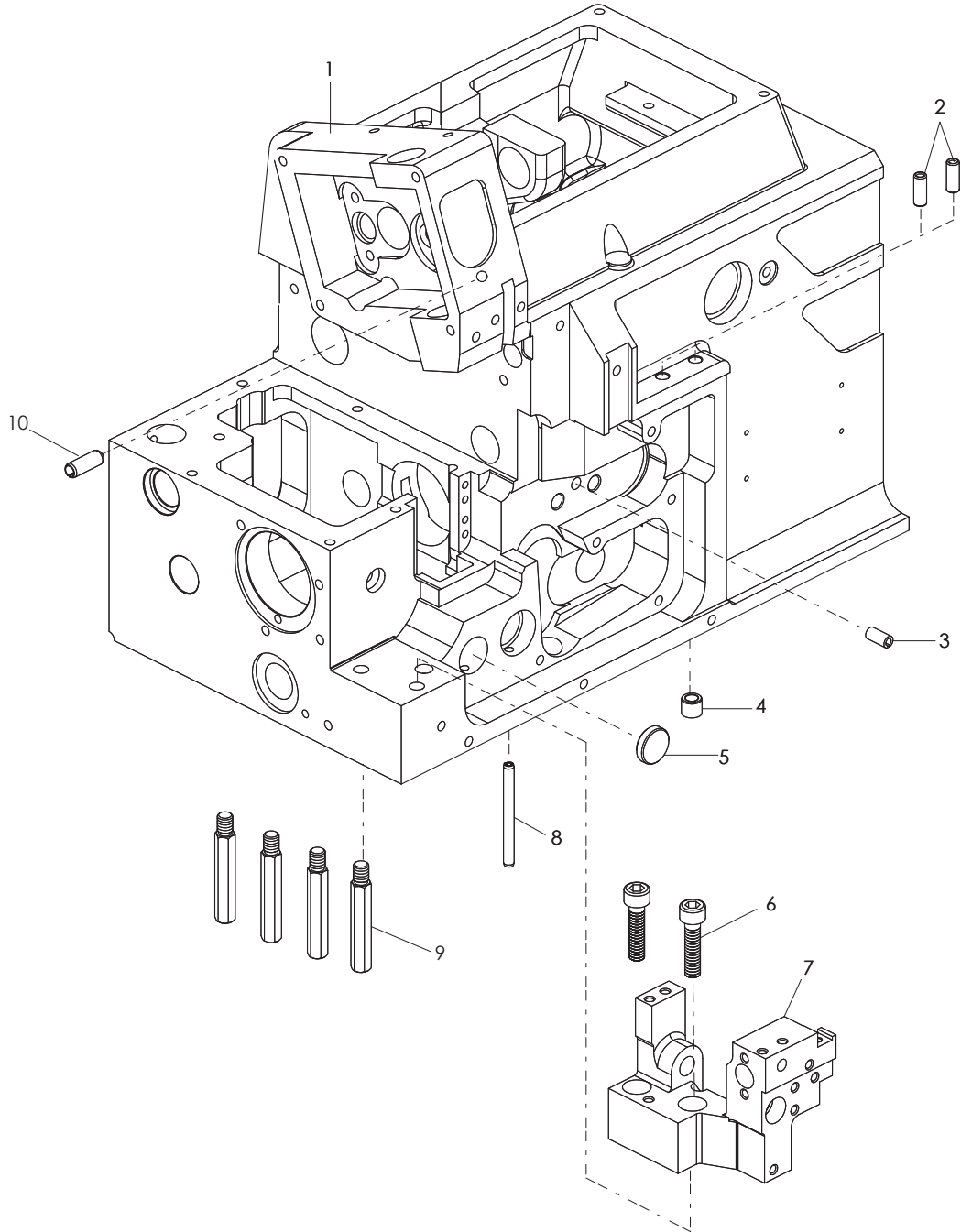
ADD:DAMAYU ZONE, YUHUAN, ZHEJIANG, 317604 CHINA

免费咨询电话：TEL:800-857-5715

中国·中捷缝纫机股份有限公司
ZOJE SEWING MACHINE CO., LTD.



1、机壳机构/HOUSING FRAME

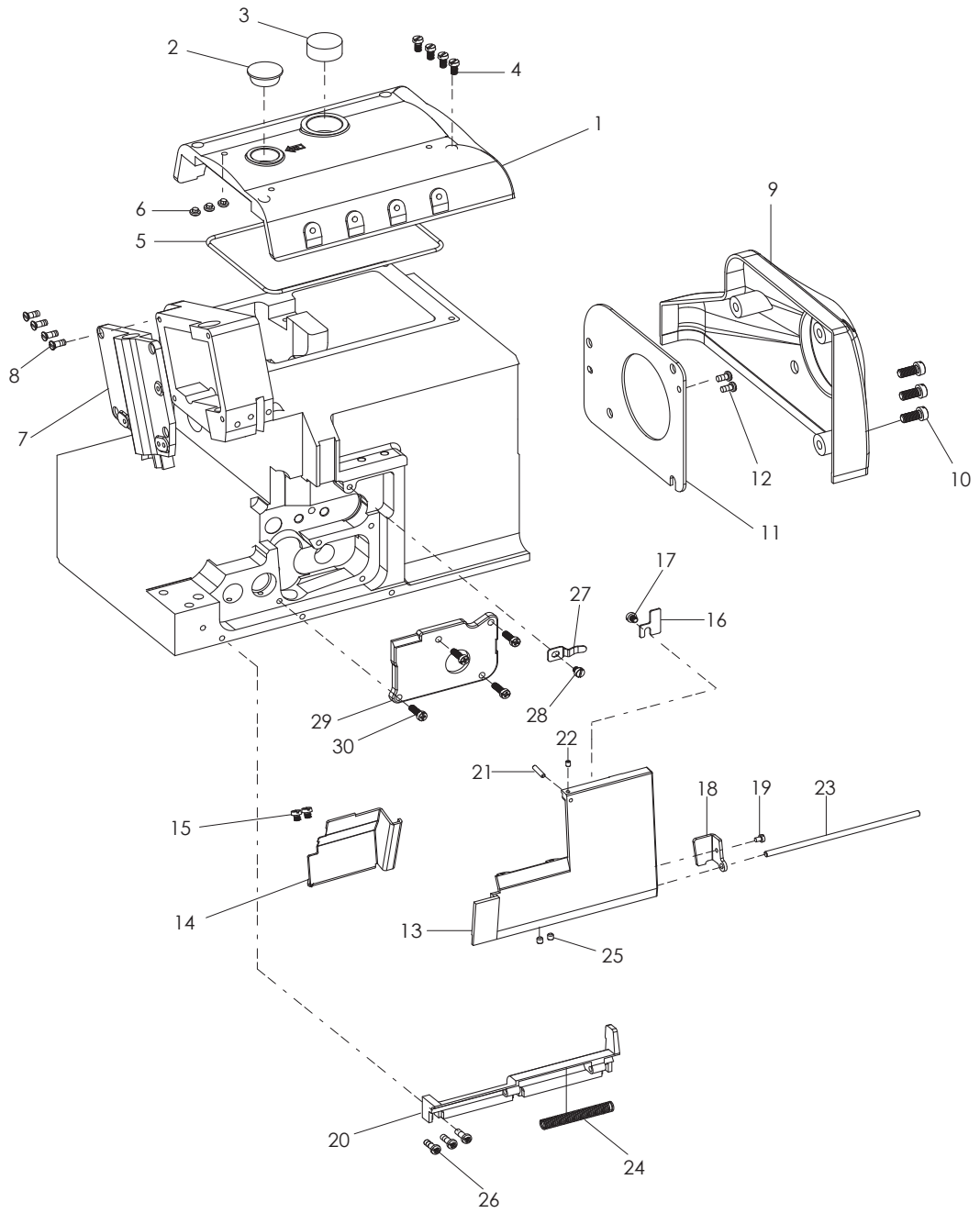


1. 机壳机构

HOUSING FRAME

序号 No.	件号 Pars No.	名称	Description	数量 Number
1	20004213	机壳喷漆	housing	1
2	10008896	上下弯针过线管	threading pipe for upper and lower loopers	2
3	10002805	销	pin	1
4	10008897	油标定位套	locating sleeve of oic scale	1
5	10008961	橡胶塞	rubber plug	1
6	10009171	螺钉	screw	2
7	10009050	下刀座	lower knife bed	1
8	10002830	销	pin	1
9	10011847	机壳支柱	support for housing	4
10	10002833	销	pin	1

2、外罩机构(1)/OUTER COVER FRAME(1)

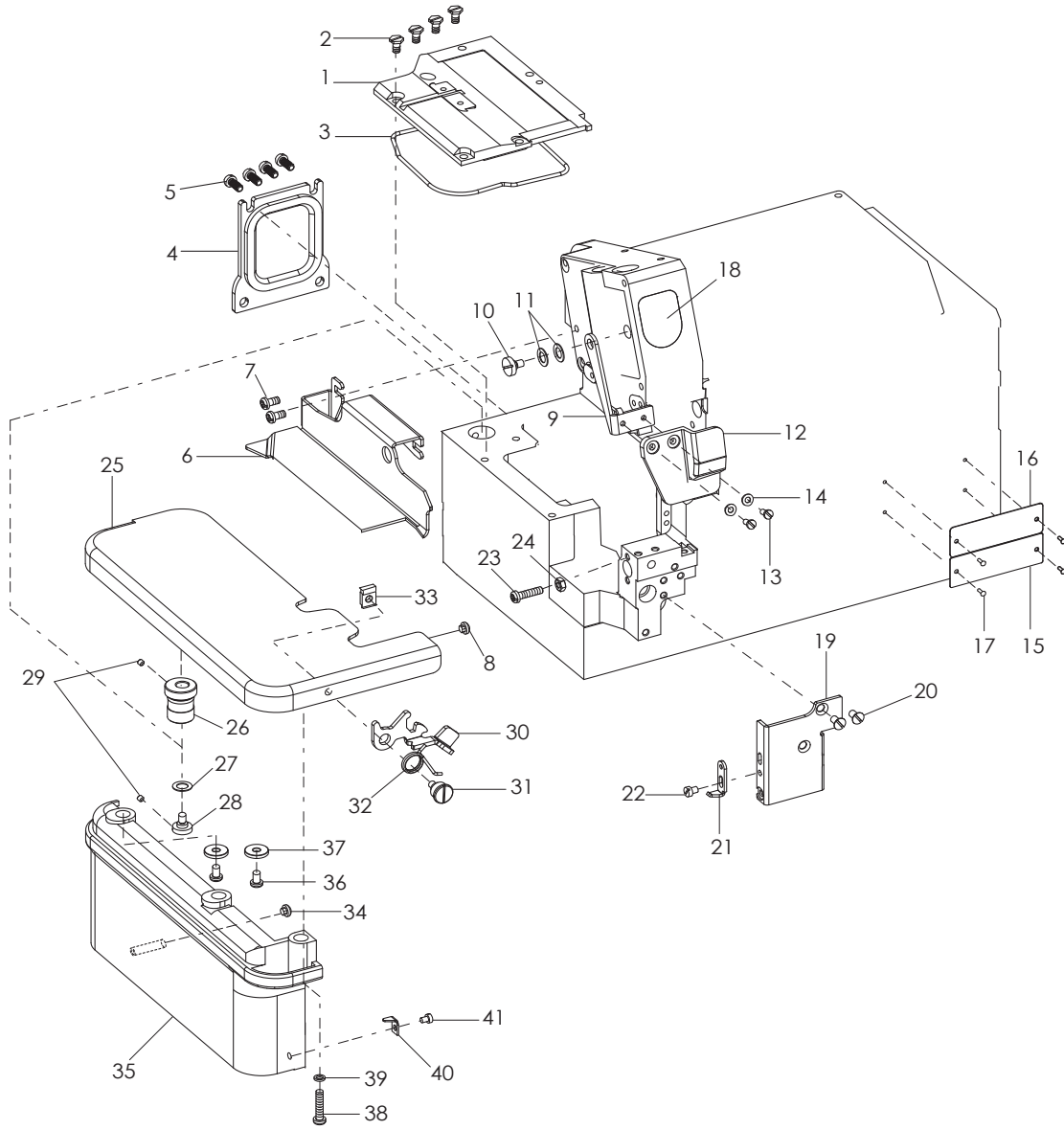


2. 外罩机构 (1)

OUTER COVER FRAME (1)

序号 No.	件号 Pars No.	名称	Description	数量 Number
1	20003519	上盖	upper cover	1
2	10008964	橡胶塞	rubber plug	1
3	10008900	上盖油窗	oil sight window	1
4	10010697	螺钉	screw	4
5	10008963	上盖密封圈	seal ring for upper cover	1
6	10009582	防震橡胶垫	ruver cushion	3
7	20003520	侧盖	side cover	1
8	10009195	螺钉	screw	4
9	10008968	皮带轮罩	belt cover	1
10	10002935	螺钉	screw	3
11	10008905	风扇盖	fan cover	1
12	10010595	螺钉	screw	2
13	20003521	前盖右	right part of front cover	1
14	10008881	前盖中	middle part of front cover	1
15	10010554	螺钉	screw	2
16	10008966	前盖右挡板	fender for right part of front cover	1
17	10004171	螺钉	screw	1
18	10008911	导向板	guiding plate	1
19	10009597	螺钉	screw	1
20	10008880	支架	supporting part	1
21	10002863	螺钉	screw	1
22	10013019	螺钉	screw	1
23	10009598	销	pin	1
24	10009509	弹簧	spring	1
25	10009074	螺钉	screw	1
26	10009037	螺钉	screw	3
27	10009035	弹簧板	spring plate	1
28	10004171	螺钉	screw	2
29	10008917	上弯针架盖	cover for upper looer stand	1
30	10011044	螺钉	screw	2
31	10008965	螺钉	screw	2

3、外罩机构(2)OUTER COVER FRAME(2)

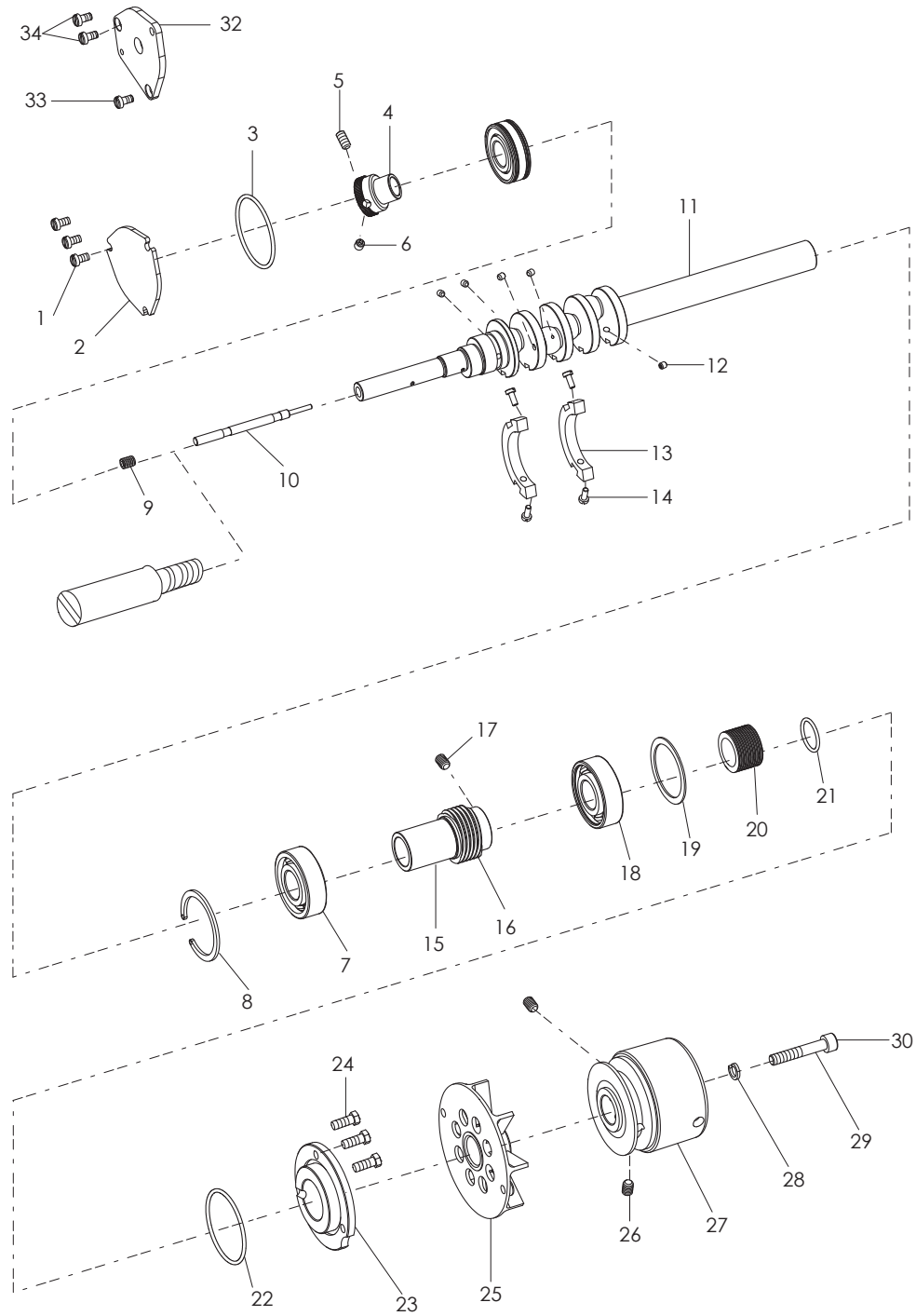


3. 外罩机构 (2)

OUTER COVER FRAME(2)

序号 No.	件号 Pars No.	名称	Description	数量 Number
1	10008918	左上盖	left upper cover	1
2	10009157	螺钉	screw	5
3	10008919	左上盖垫圈	washer for left upper cover	1
4	10009067	后盖板组件	comp on ent of back cover	1
5	10009104	螺钉	screw	2
6	10008920	内盖板	inside cover	1
7	10010595	螺钉	screw	2
8	10008912	泡沫橡胶垫	ruber cushion	1
9	10008879	安全罩架	stand of safety cover	1
10	10009600	螺钉	screw	1
11	10010596	垫圈	washer	2
12	10008878	安全罩	safety cover	1
13	10009600	螺钉	screw	2
14	10009599	垫圈	washer	2
15	10002637	中捷标志牌	loge plate	1
16	*****	型号牌	model plate	1
17	10002840	铆钉	rivet	4
18	10002542	装饰牌	decoratire plate	1
19	10008882	前盖左	left part of front cover	1
20	10009049	螺钉	screw	2
21	10009513	挡板	baffle	1
22	10009514	螺钉	screw	1
23	10009075	螺钉	screw	1
24	10005297	螺母	nut	1
25	10008967	大盖组件	component of surface cover	1
26	10009547	大盖铜套	brass bush for surface cover	1
27	10010596	垫圈	washer	1
28	10009044	螺钉	screw	1
29	10009074	螺钉	screw	1
30	10009535	大盖卡紧板	grip part for surface cover	1
31	10009546	螺钉	screw	1
32	10009536	弹簧	spring	1
33	10009548	锁紧板	locking plate	1
34	10009582	防震橡胶垫	quake-proof rubber cushion	1
35	10009450	横盖	lower left side cover	1
36	10010595	螺钉	screw	2
37	10009537	垫圈	washer	2
38	10009291	螺钉	screw	1
39	10008144	垫圈	washer	1
40	10009295	横盖限位板	position limiting plate	1
41	10009529	螺钉	screw	1

4、主轴机构/MAIN SHAFT FRAME

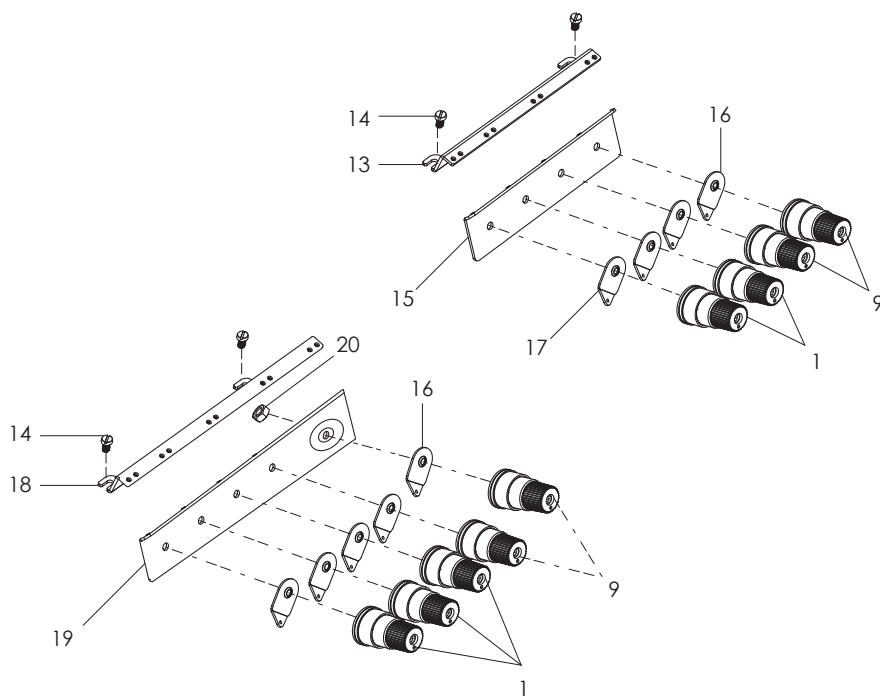
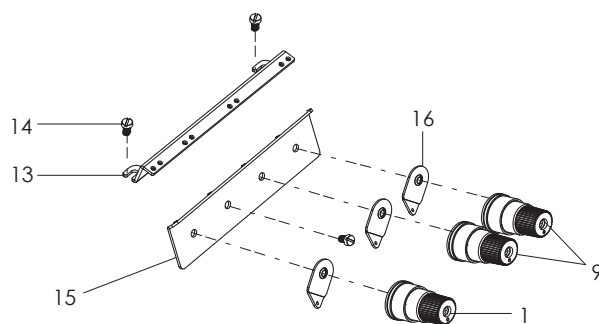
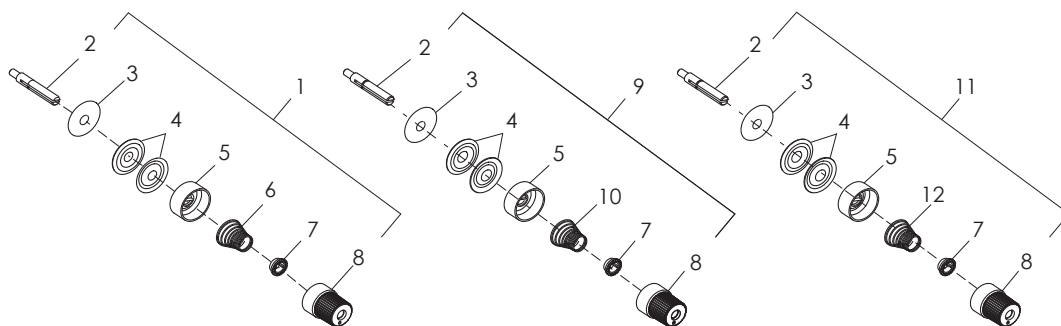


4. 主轴机构

MAIN SHAFT FRAME

序号 No.	件号 Pars No.	名称	Description	数量 Number
1	10010595	螺钉	screw	3
2	10009519	左盖	left cover	1
3	10009448	O型圈	O ring	1
4	10002966	轴承套	bush mounted in bearing	1
5	10012162	螺钉	screw	1
6	10009167	螺钉	screw	1
7	10009425	左轴承	left bearing	1
8	10009334	O型圈	O ring	1
9	10009187	螺钉	screw	1
10	10009479	主轴油芯	oil wick of main shaft	1
11	10002945	主轴	main shaft	1
12	10002962	螺钉	screw	5
13	10009402	平衡块	balance block	2
14	10003001	螺钉	screw	4
15	10009392	蜗杆套	bush mounted in worm bush	1
16	10009362	蜗杆	worm bush	1
17	10012162	螺钉	screw	1
18	10003543	轴承	bearing	1
19	10009361	右盖垫片	washer for right cover	1
20	10009424	螺纹套	bush mounted in screw	1
21	10009360	O型圈	O ring	1
22	10009359	O型圈	O ring	1
23	10009358	右盖	right cover	1
24	10009104	螺钉	screw	3
25	10009478	风扇	fan	1
26	10009187	螺钉	screw	2
27	20003522	手轮	hand wheel	1
28	10003249	垫圈	washer	1
29	10014387	手轮吊紧螺钉	screw	1
30	10014397	手轮盖	cover of hand wheel	1
31	10007842	螺钉	screw	1
32	10009643	左盖	left cover	1
33	10009195	螺钉	screw	1
34	10009104	螺钉	screw	2

5、调线机构/ADJUSTING TIIREAD FRAME

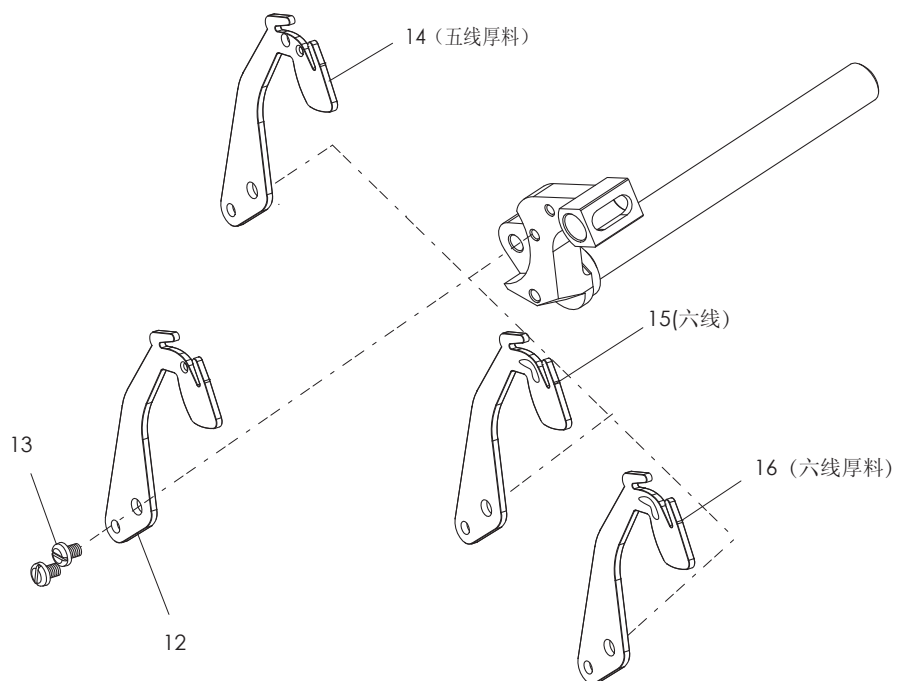
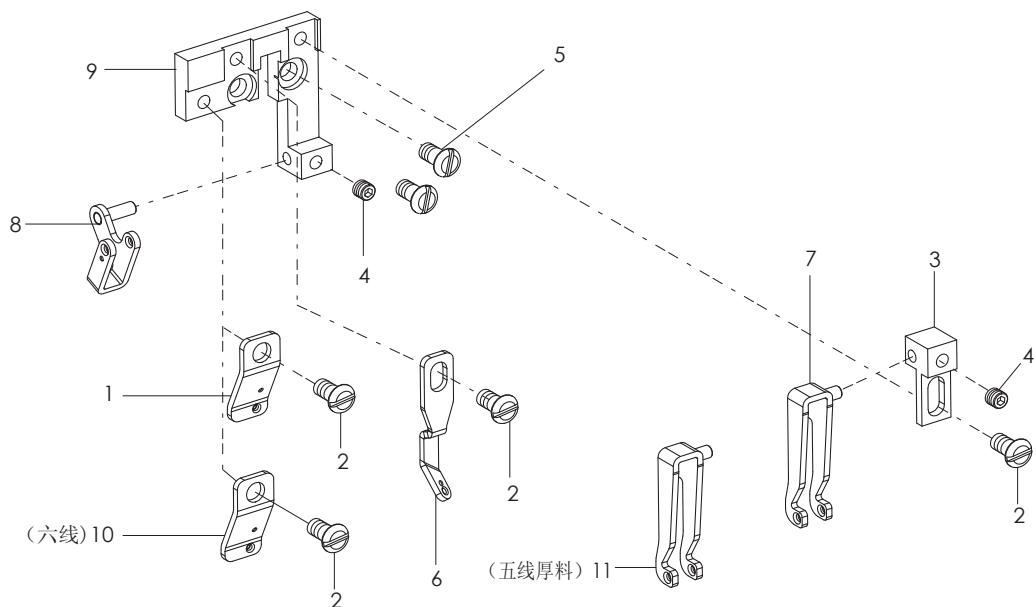


5. 调线机构

ADJUSTING THREAD FRAME

序号 No.	件号 Pars No.	名称	Description	数量 Number
1	10008901	直针夹线器组件	thread tension aggregate for needle	1
2	10003112	螺钉	screw	1
3	10003117	布垫	cloth cushion	1
4	10003116	夹线盘	thread tension dish	4
5	10002575	夹线碗	thread tension bowl	1
6	10009534	弹簧	spring	1
7	10003111	防松垫	release-proof cushion	1
8	10002538	夹线螺母	thread tension nut	1
9	10009604	上弯针夹线器组件	thread tension aggregate for upper looper	1
10	10009532	弹簧	spring	1
11	10008902	下弯针夹线器组件	thread tension aggregate for lower looper	1
12	10009533	弹簧	spring	1
13	10008904	过线架	thread guide stand	1
14	10009556	螺钉	screw	2
15	10008962	夹线器座	base of thread tension device	1
16	10003115	过线板	thread guide plate	*
17	10008903	过线板	thread guide plate	1
18	10008658	过线架	thread guide stand	1
19	10008586	夹线器座	base of thread tension device	1
20	10010425	螺母	nut	1

6、调线·过线/THREAD TAKE UP AND THREADING

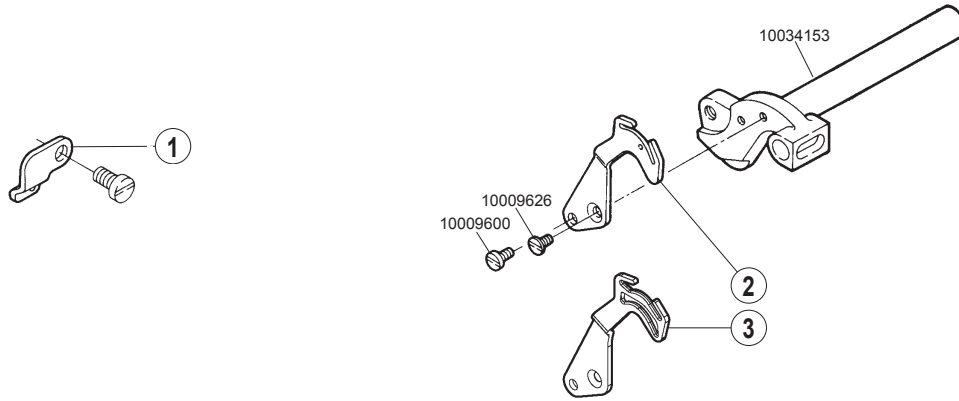


6. 挑线·过线机构

THREAD TAKE UP AND THREADING

序号 No.	件号 Pars No.	名称	Description	数量 Number
1	10009280	左过线板	thread guide plate of left	1
2	10010594	螺钉	screw	3
3	10009015	挑线夹固定架	fixing stand for thread take-up clamp	1
4	10009074	螺钉	screw	2
5	10010594	螺钉	screw	2
6	10003252	右过线板	thread guide plate of right	1
7	10002756	上挑线夹	upper thread tension plate	1
8	10009663	下挑线夹	lower thread tension plate	1
9	10009639	固定板	fixing plate	1
10	10008588	左过线板	thread guide plate of left	1
11	10008655	上挑线夹	upper thread tension plate	1
12	10009642	挑线架	thread take-up stand	1
13	10009600	螺钉	screw	2
14	10008653	挑线架	thread take-up stand	1
15	10008587	挑线架	thread take-up stand	1
16	10008202	挑线架	thread take-up stand	1

7、挑线、过线(1)/THREAD TAKE-UP AND THREADING

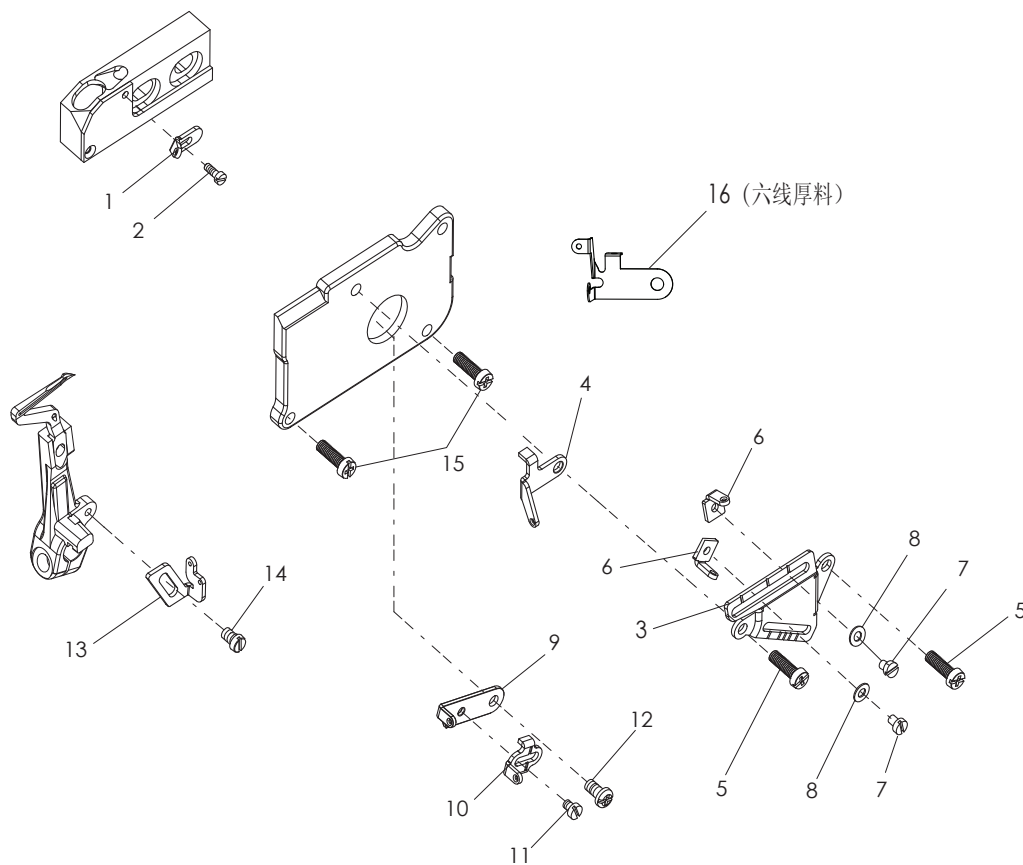


过线、挑线

THREAD GUIDE & THREAD TAKE-UP

序号 No.	件号 Pars No.	名称	Description	数量 Number
1	10035269	Z-91-103387-35\直针过线板	THREAD GUIDE	1
2			NEEDLE THREAD TAKEUP	1
3	10026732	Z-91-103104-35\挑线架	NEEDLE THREAD TAKEUP	1

8、挑线·过线(3)/TIREAD TAKE UP AND THREADING(3)

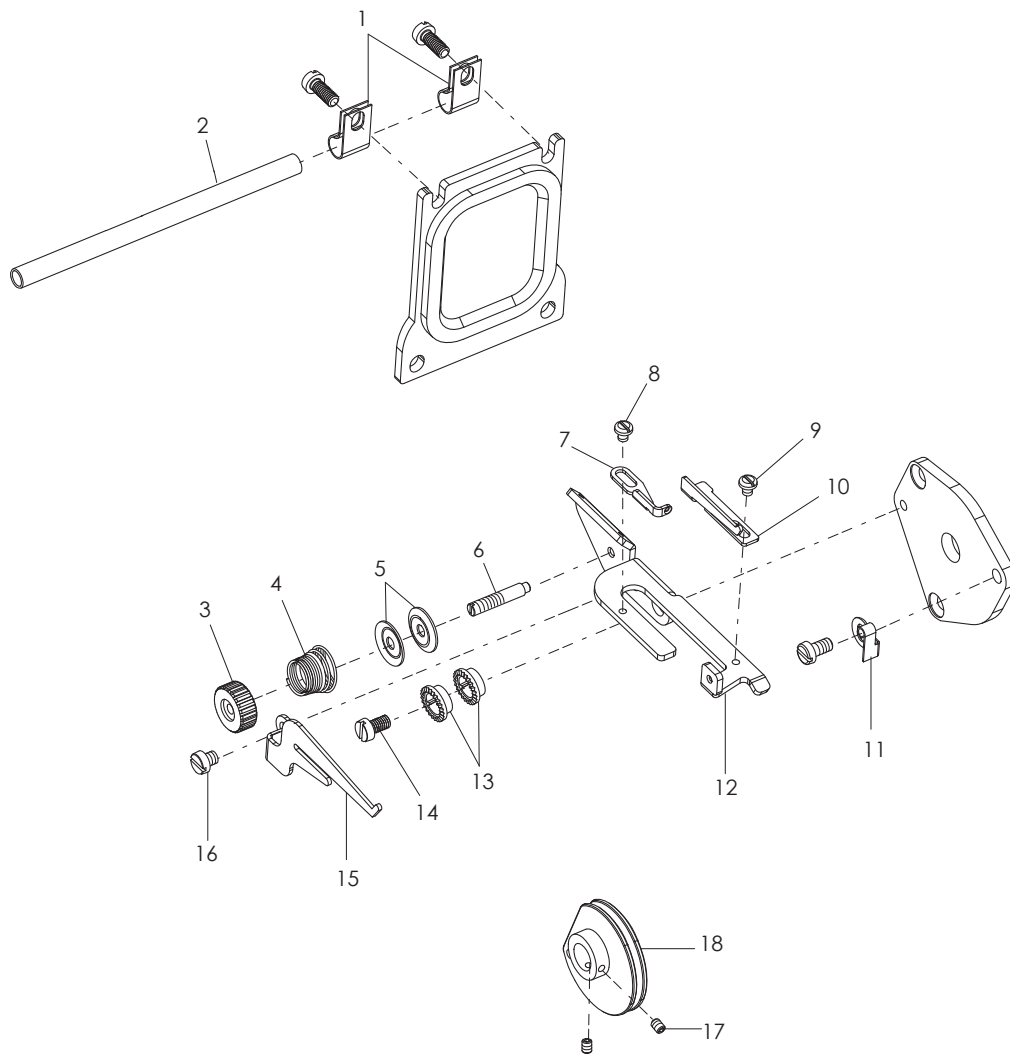


8. 挑线·过线机构(3)

THREAD TAKE UP AND THREADING(3)

序号 No.	件号 Pars No.	名称	Description	数量 Number
1	10009369	上弯针小过线板	small thread guide plate of upper looper	1
2	10009529	螺钉	screw	1
3	10009154	弯针下过线板架	stand of lower thread guide plate	1
4	10009153	上弯针过线板	thread guide plate of upper looper	1
5	10010595	螺钉	screw	2
6	10009013	弯针小过线板	thread guide plate of looper	2
7	10009529	螺钉	screw	2
8	10009599	垫圈	washer	2
9	10009147	上弯针轴内过线板	inner thread guide plate mounted on the shaft	1
10	10009012	上弯针轴外过线板	outer thread guide plate mounted on the shaft	1
11	10009529	螺钉	screw	1
12	10010595	螺钉	screw	1
13	10009018	下弯针过线板	thread guide plate for lower looper	1
14	10009363	螺钉	screw	1
15	10011044	螺钉	screw	2
15	10025482	上弯针过线板	thread guide plate of upper looper	1

9、挑线·过线(4)/TIREAD TAKE UP AND THREADING(4)

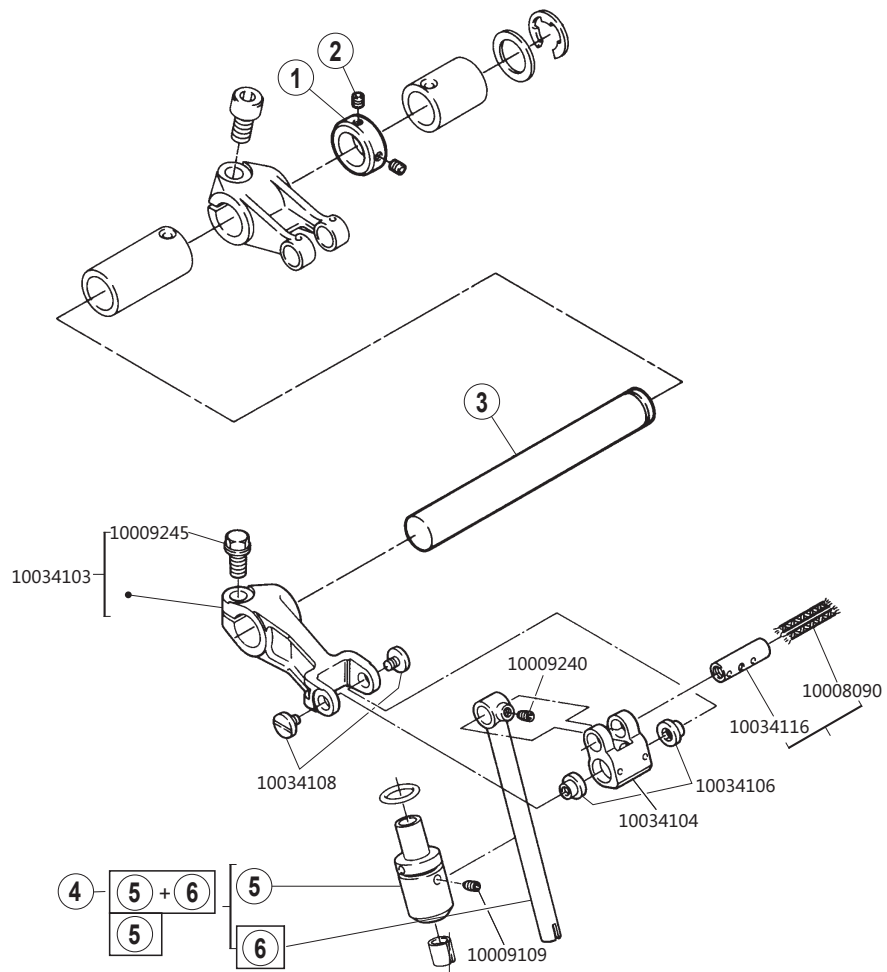


9. 挑线·过线机构(4)

THREAD TAKE UP AND THREADING(4)

序号 No.	件号 Pars No.	名称	Description	数量 Number
1	10010603	过线管夹簧	elastic clamp for thread guide pipe	2
2	10009283	横过线管	horizontal thread guide pipe	1
3	10010609	夹线螺母	thread tension nut	1
4	10010612	弹簧	spring	1
5	10010613	夹线板	thread tension dish	2
6	10010610	螺钉	screw	1
7	10010654	过线架	thread guide plate	1
8	10009529	螺钉	screw	1
9	10009529	螺钉	screw	1
10	10010614	过线板	thread guide plate	1
11	10010596	垫圈	washer	1
12	10010611	夹线架	thread tension stand	1
13	10010596	垫圈	washer	2
14	10010556	螺钉	screw	1
15	10010605	打线架	thread take-up stand	1
16	10004171	螺钉	screw	1
17	10010664	打线凸轮组件	thread take-up cam assembly	1
18	10010196	螺钉	screw	2

10、针杆机构(1)/NEEDLE BAR FRAME(1)

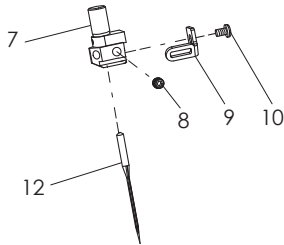
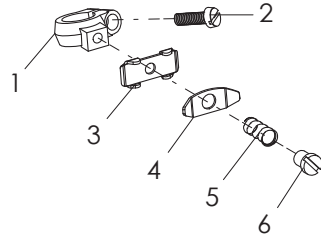


机针驱动机构

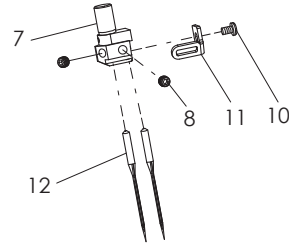
NEEDLE DRIVE MECHANISM

序号 No.	件号 Pars No.	名称	Description	数量 Number
1	10026771	Z-91-103072-05\挡圈	COLLAR	1
2	10010196	Z-91-101735-15\M3×3螺钉	SCREW	2
3	10034102	Z-91-103277-05\轴	SHAFT	1
4	10034150	Z-91-103327-91\针杆组件	BUSHING ASSY	1
5	10034107	Z-91-103282-05\针杆套	BUSHING	1
6	10034105	Z-91-103280-85\针杆	NEEDLE BAR	1

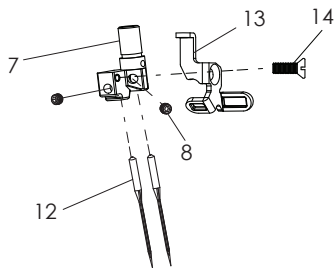
11、针杆机构(2)/NEEDLE BAR FRAME(2)



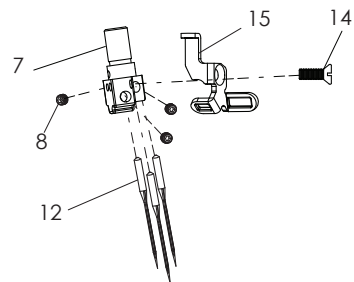
三线



四线



五线



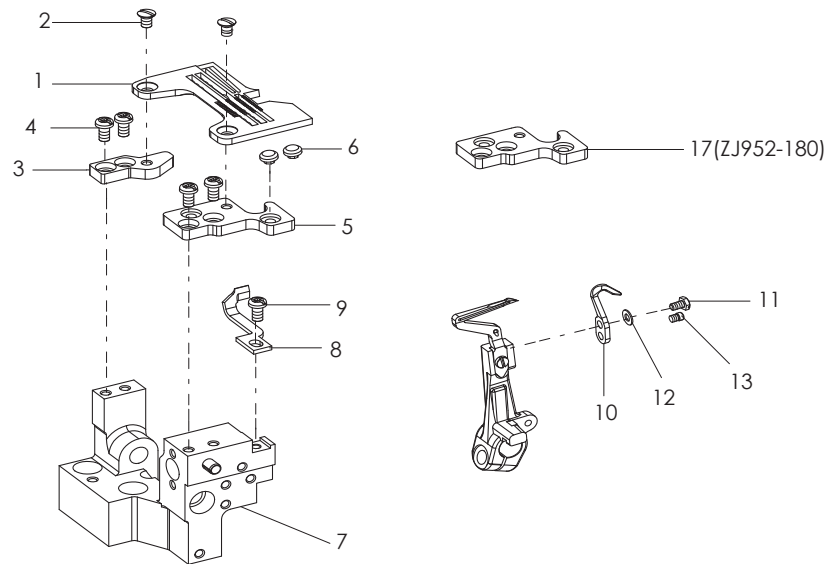
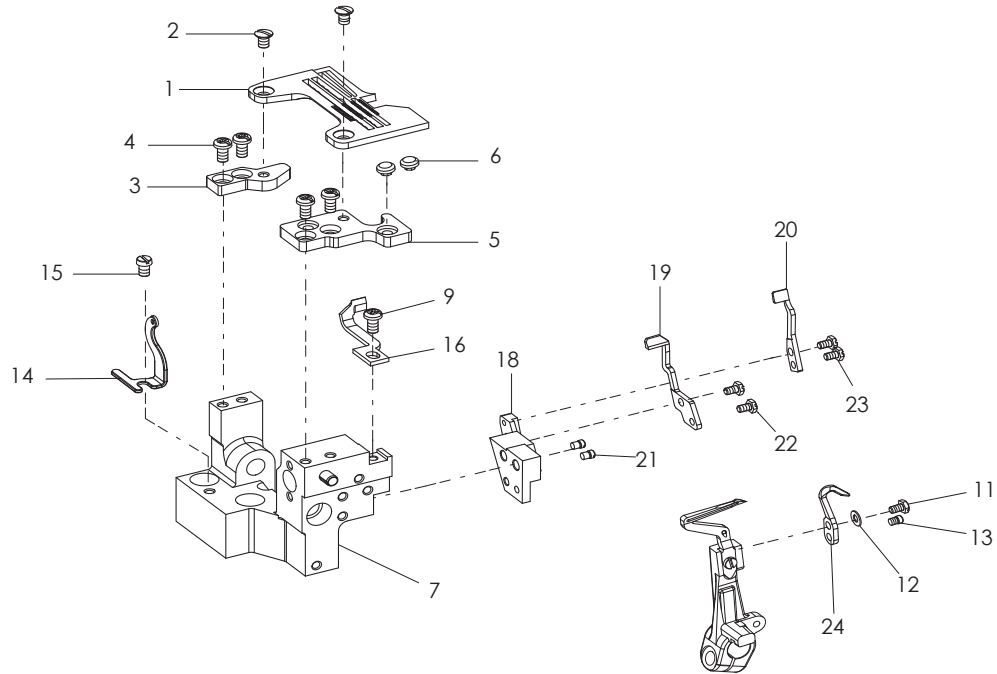
六线

11. 针杆机构(2)

NEEDLE BAR FRAME (2)

序号 No.	件号 Pars No.	名称	Description	数量 Number
1	10009344	针杆头夹	needle ban clamp	1
2	10009382	螺钉	screw	1
3	10009341	下夹线板	lower thread tension plate	1
4	10009384	上夹线板	upper thread tension plate	1
5	10009400	弹簧	spring	1
6	10009383	螺钉	screw	1
7	××××××	针夹头	needle holder	1
8	10009255	螺钉	screw	*
9	10003431	针夹头过线板	thread guide plate of needleholder	1
10	10009422	螺钉	screw	1
11	10009339	针夹头过线板	thread guide plate of needleholder	1
12	××××××	机针	needle	1
13	10009644	针夹头过线板	thread guide plate of needleholder	1
14	10009664	螺钉	screw	1
15	10008205	针夹头过线板	thread guide plate of needleholder	1

12、针杆机构(3)/NEEDLE BAR FRAME(3)

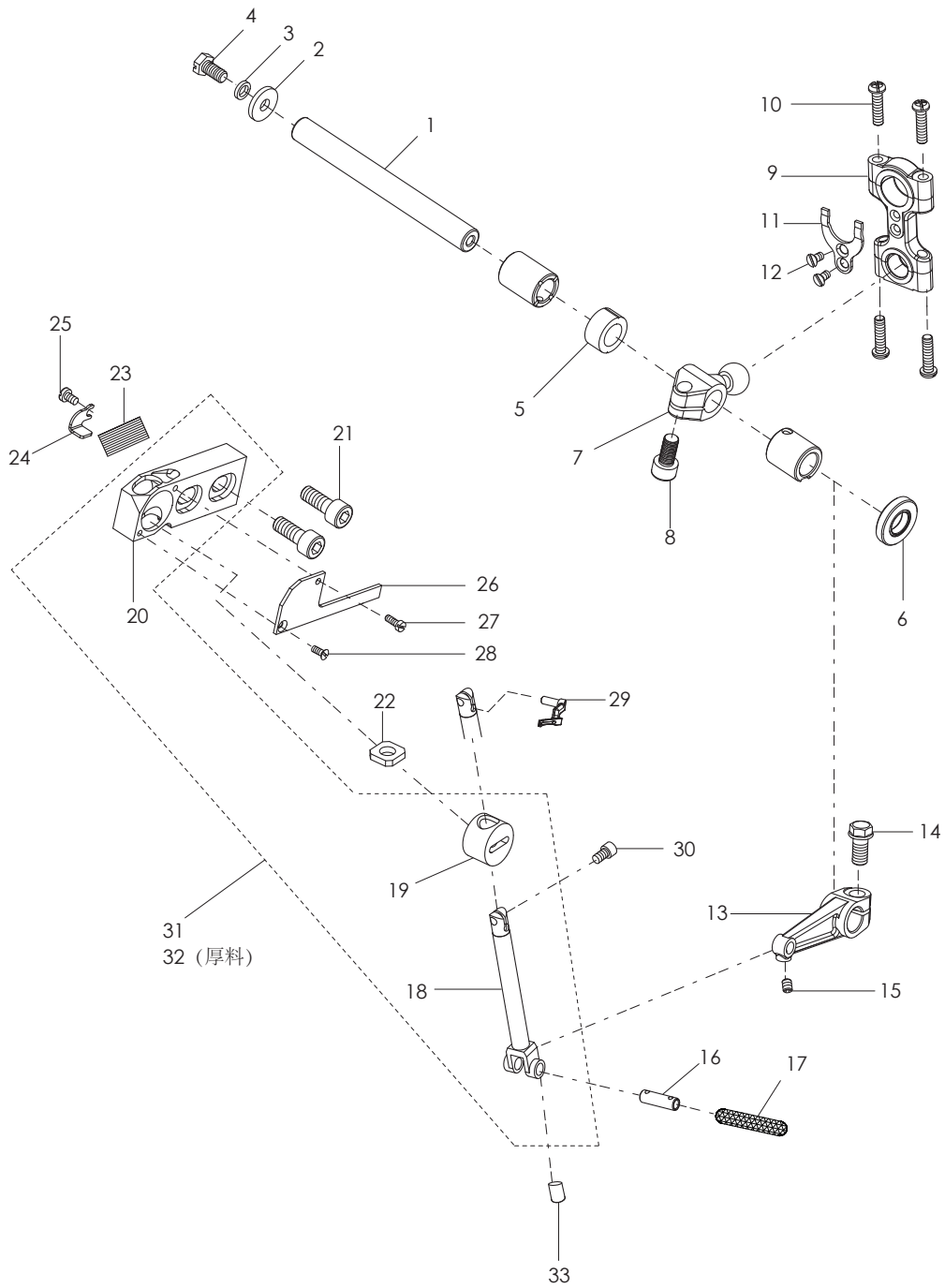


12. 针杆机构(3)

NEEDLE BAR FRAME(3)

序号 No.	件号 Pars No.	名称	Description	数量 Number
1	××××××	针板	needle plate	1
2	10009290	螺钉	screw	2
3	10009354	针板托	needle plate support	1
4	10010595	螺钉	screw	4
5	10009420	针板座	base of needle guard	1
6	10009582	防震橡胶垫	vibration-proof rubber cushion	2
7	10012905	销	screw	1
8	10009377	直针前护针架	front needle guard	1
9	10010595	螺钉	screw	1
10	10009023	直针后护针	rear needle guard	1
11	10009020	螺钉	screw	1
12	10003274	垫片	washer	1
13	10009020	螺钉	screw	1
14	10009658	链弯针前过线板	frent thread guide	1
15	10004171	螺钉	screw	1
16	10009637	直针前护针架	front needle guard	1
17	10008206	针板座	base of needle guard	1
18	10009306	护针座	needle guard barcket	1
19	10009636	链弯针后护针	rear needle guard	1
20	10009657	链弯针前护针	front needle guard	1
21	10009638	螺钉	screw	2
22	10010555	螺钉	screw	2
23	10010555	螺钉	screw	2
24	10009023	直针后护针	rear needle guard	1

13、上弯针机构/UPPER LOOPER FRAME

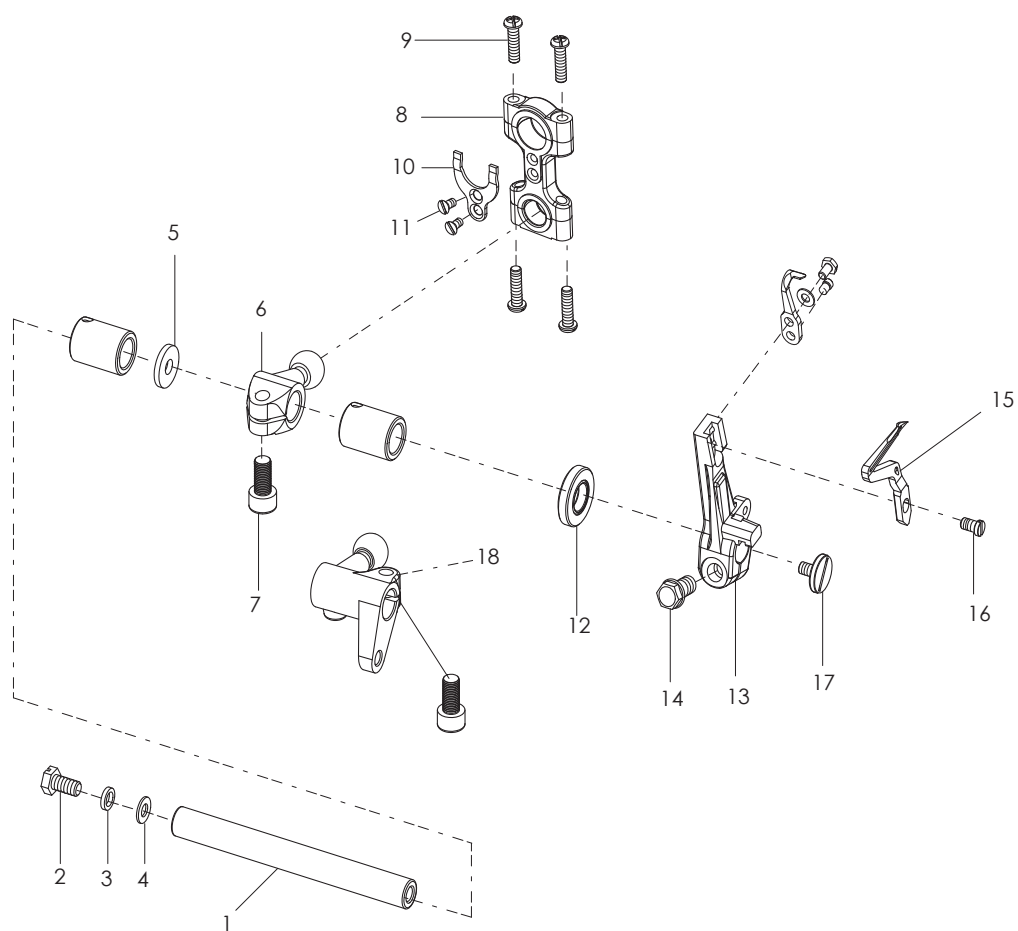


13. 上弯针机构

UPPER LOOPER FRAME

序号 No.	件号 Pars No.	名称	Description	数量 Number
1	10009404	上弯针轴	drive shaft for upper looper	1
2	10009367	垫圈	washer	1
3	10005537	垫圈	washer	1
4	10009349	螺钉	screw	1
5	10009338	挡圈	retaining ring	1
6	10009071	密封圈	seal ring	1
7	10003062	上弯针球曲柄	crank bush with ball head for upper looper	1
8	10009164	螺钉	screw	1
9	10003064	上弯针传动连杆	connecting bar for upper looper drive	1
10	10002939	螺钉	screw for connecting bar	4
11	10009431	连杆挡板	fender for connecting bar	1
12	10009626	螺钉	screw for fender	2
13	10009373	上弯针摇杆	swing bar for upper looper shaft	1
14	10009245	螺钉	screw	1
15	10009240	螺钉	screw	1
16	10009406	销	pin	1
17	10008067	油线	oil wick	1
18	10002913	滑杆	sliding bar	1
19	10002905	滑杆套	sliding bar bush	1
20	10002912	滑杆座	sliding bar bracket	1
21	10009008	螺钉	screw	2
22	10009405	毛毡	felt	1
23	10009375	毛毡	felt	1
24	10009350	毛毡压板	press plate for felt	1
25	10009597	螺钉	screw	1
26	10009370	盖板	cover plate	1
27	10009379	螺钉	screw	1
28	10009353	螺钉	screw	1
29	××××××	上弯针	upper looper	1
30	10011724	螺钉	screw	1
31	10009351	上弯针滑杆组件	upper looper holder ASSY	1
32	10002424	上弯针滑杆组件	upper looper holder ASSY	1
33	10009376	橡胶塞	rubber plug	1

14、下弯针机构/LOWER LOOPER FRAME

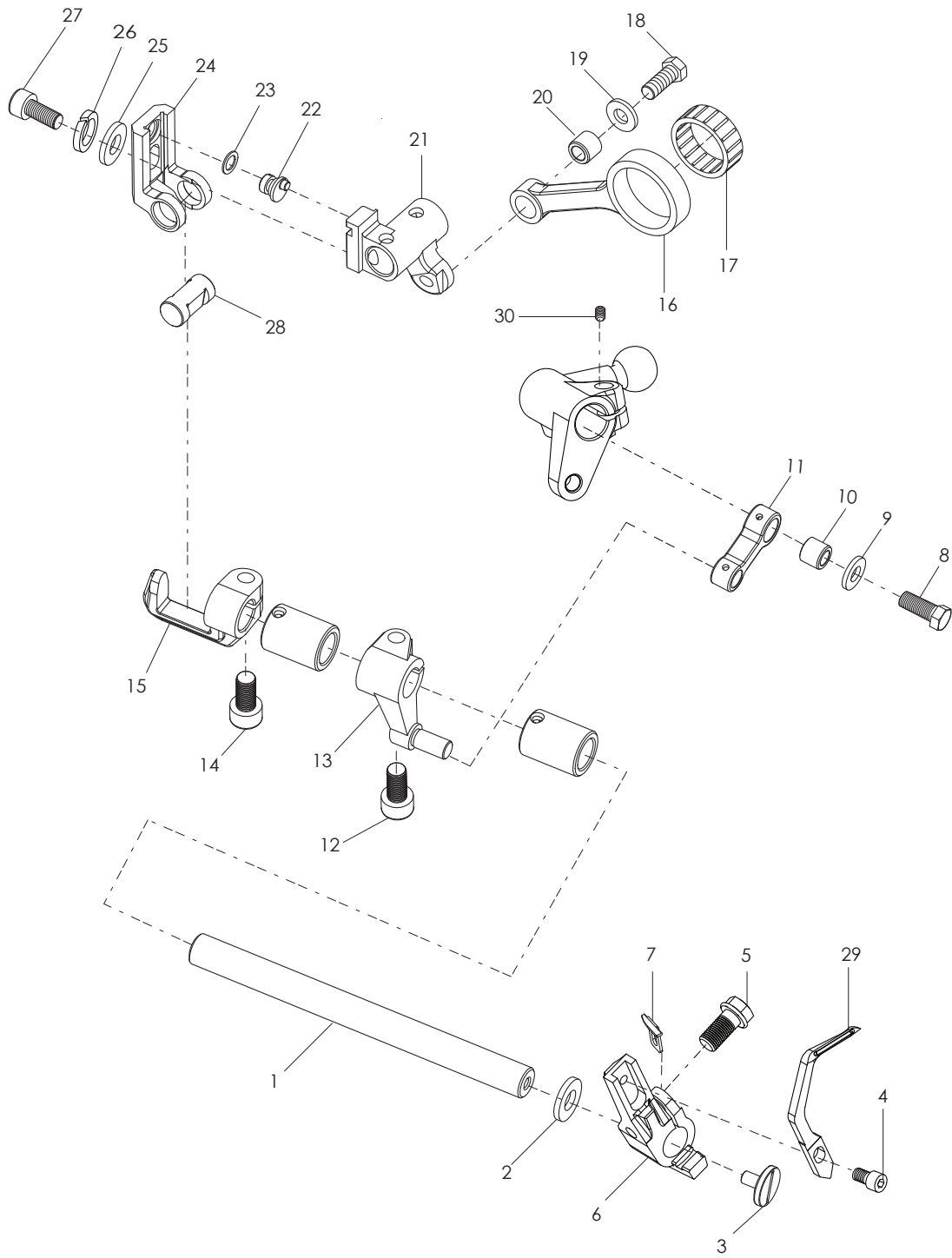


14. 下弯针机构

LOWER LOOPER FRAME

序号 No.	件号 Pars No.	名称	Description	数量 Number
1	10009404	上弯针轴	drive shaft for upper looper	1
2	10009349	螺钉	screw	1
3	10005537	弹簧垫	elastic washer	1
4	10009367	垫圈	washer	1
5	10009232	垫圈	washer	1
6	10003061	下弯针球曲柄	crank bush with ball head for lower looper	1
7	10009245	螺钉	screw	1
8	10003064	下弯针传动连杆	connecting bar for lower looper drive	1
9	10002939	螺钉	screw	4
10	10009431	连杆挡板	fender for connecting bar	1
11	10009626	螺钉	screw	2
12	10009399	密封圈	seal ring	1
13	10009026	下弯针架	stand for lower looper	1
14	10009245	螺钉	screw	1
15	××××××	下弯针	lower looper	1
16	10010643	螺钉	screw	1
17	10009394	螺钉	screw	1
18	10002825	链弯针左曲柄	crank bush with chain stitch looper	1

15、链弯针机构/CHAIN STITCH LOOPER FRAME

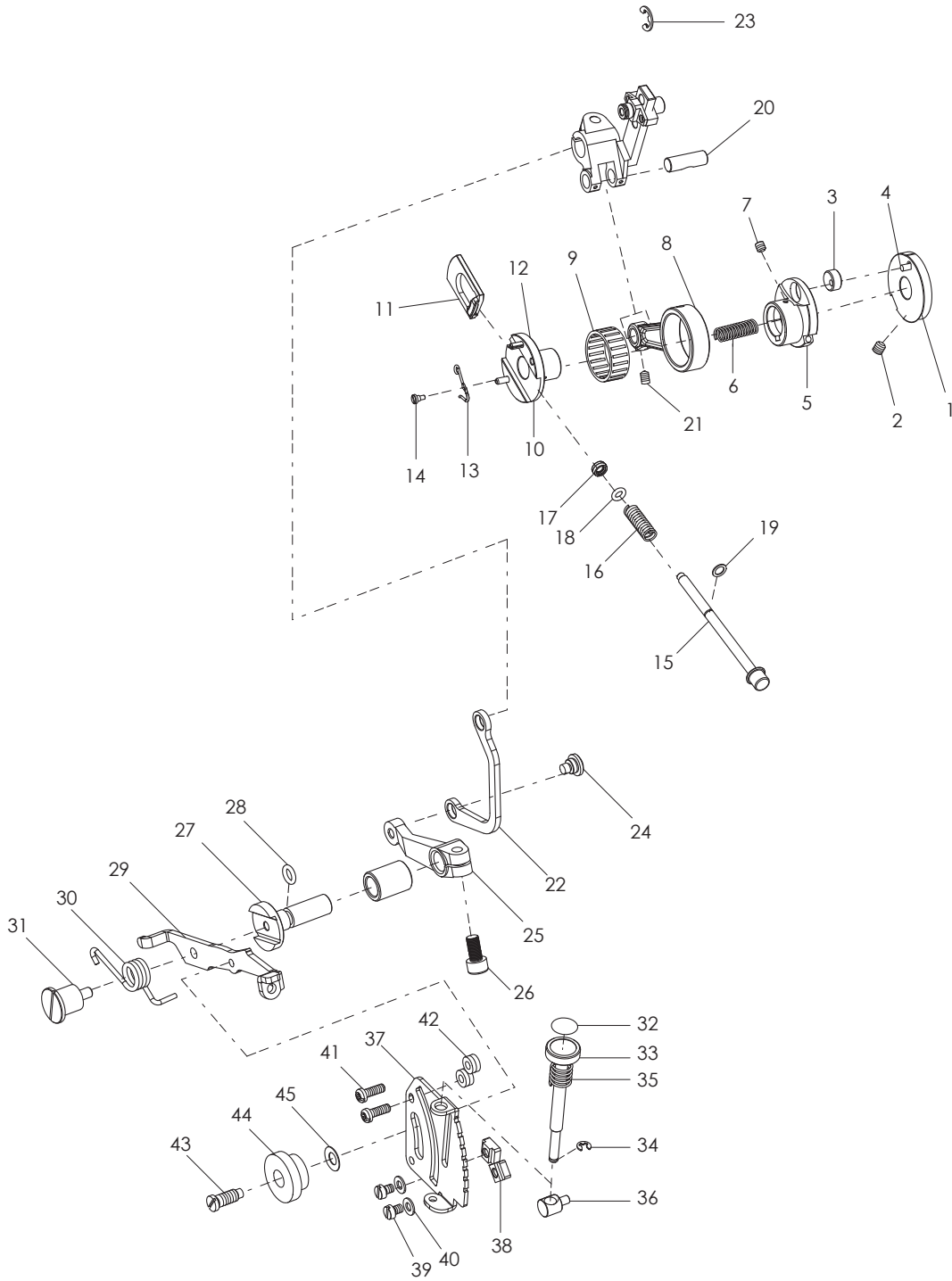


15. 链弯针机构

CHAIN STITCH LOOPER FRAME

序号 No.	件号 Pars No.	名称	Description	数量 Number
1	10009309	链弯针轴	shaft for chain stitch looper	1
2	10009071	密封圈	seal ring	1
3	10009394	螺钉	screw	1
4	10010643	螺钉	screw	2
5	10009310	螺钉	screw	1
6	10009307	链弯针架	stand of chain stitch looper	1
7	10003294	挡片	blocking ring	1
8	10009142	螺钉	screw	2
9	10009192	垫圈	washer	1
10	10009169	连杆销套	needle pin for connecting bar	1
11	10009186	送料连杆	connecting bar of feed dog	1
12	10009245	螺钉	screw	1
13	10009302	摆动曲柄	swing crank	1
14	10009245	螺钉	screw	1
15	10009305	摆动叉	swing fork	1
16	10002823	链弯针传动连杆	connecting bar for chain stitch looper	1
17	10012122	轴承	bearing	1
18	10009142	螺钉	screw	1
19	10009192	垫圈	washer	1
20	10009169	连杆销套	needle pin for connecting bar	1
21	10009308	调节曲柄	crank of regulator	1
22	10009311	偏心销	pin	1
23	10009641	O型圈	O ring	1
24	10009303	调节座	base of regulator	1
25	10009192	垫圈	washer	1
26	10005537	垫圈	washer	1
27	10014210	螺钉	screw	1
28	10009698	调节杆轴	shaft of adjusting bar	1
29	××××××	链弯针	chain stitch looper	1
30	10012162	螺钉	screw	1

16、送布机构(1)/FEEDING FRAME(1)

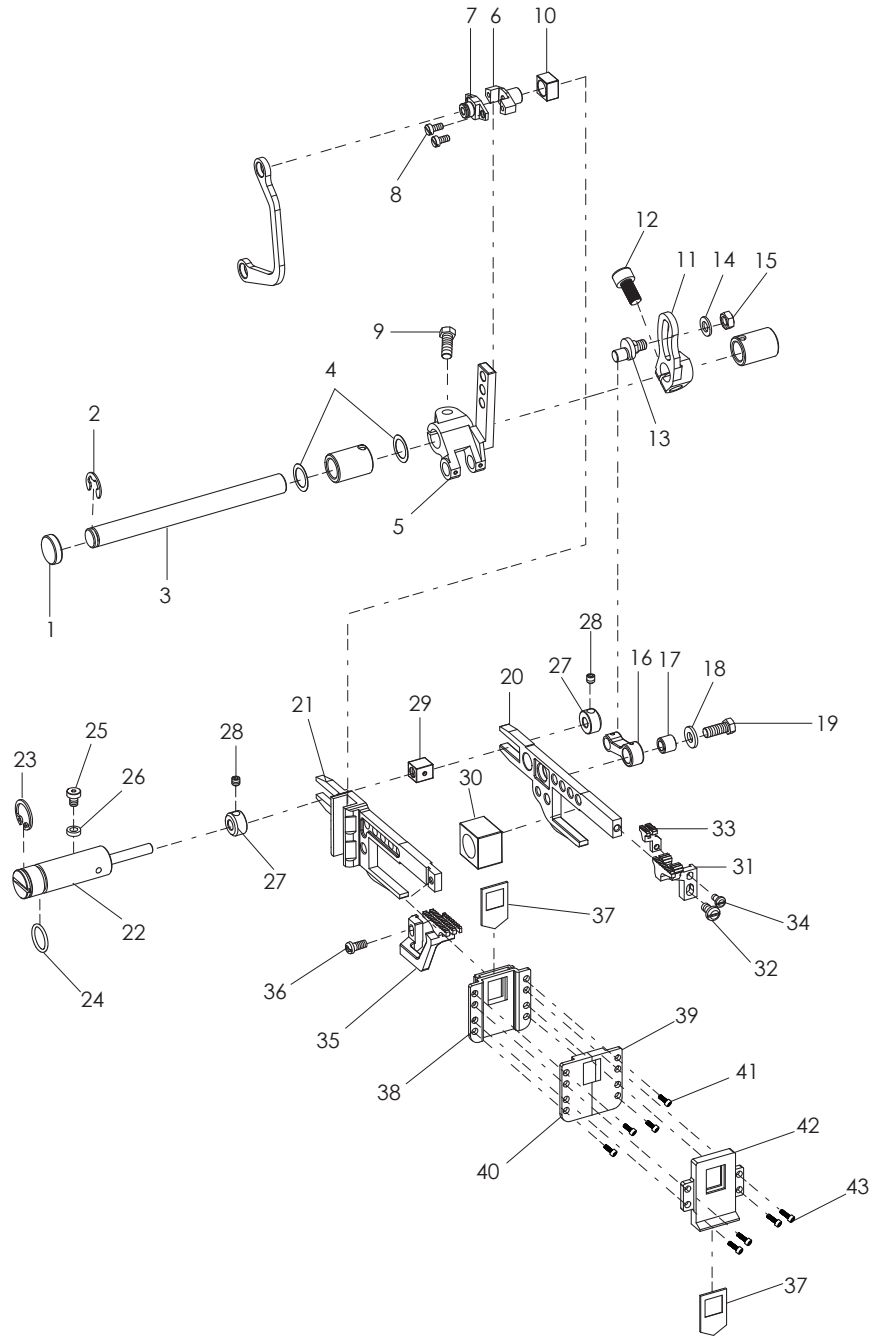


16. 送布机构 (1)

FEEDING FRAME (1)

序号 No.	件号 Pars No.	名称	Description	数量 Number
1	10002977	针距调节偏心轮片	eccentric wheel of stitch length regulator	1
2	10012162	螺钉	screw	2
3	10003218	送布偏心导轮	guiding wheel of feeding eccentric wheel	1
4	10003219	销	pin	1
5	10009327	送布偏心轮	feeding eccentric wheel	1
6	10009326	弹簧	spring	1
7	10013019	螺钉	screw	1
8	10002946	滚针轴承连杆	connecting bar	1
9	10002888	轴承	bearing	1
10	10002885	针距调节凸轮	adjusting cam for stitch length	1
11	10012162	内齿锁紧块	sliding block with inner teeth	1
12	10009298	销	pin	2
13	10002887	扭簧	spring	1
14	10002890	螺钉	screw	1
15	10009249	按钮轴	button shaft	1
16	10009248	弹簧	spring	1
17	10009247	油封	oil seal	1
18	10009246	垫圈	washer	1
19	10003248	挡圈	retaining spring	1
20	10009165	销	pin	1
21	10009109	螺钉	screw	1
22	10002593	差动调节右曲柄	right crank of differential regulator	1
23	10008989	开口挡圈	click-in spring	1
24	10009624	螺钉	screw	1
25	10009256	差动调节左曲柄	left crank of differential regulator	1
26	10009164	螺钉	screw	1
27	10009606	差动调节轴	shaft of differential regulator	1
28	10009608	O型圈	O ring	1
29	10009224	调节杆	adjusting bar	1
30	10009563	扭簧	torsion spring	1
31	10009558	螺钉	screw	1
32	10009216	指示标贴	logo plate	1
33	10009218	微调螺柱	screw	1
34	10003248	开口挡圈	click-in spring	1
35	10009205	弹簧	spring	1
36	10009203	螺母	nut	1
37	10009223	调节指示板	indication plate of adjustment	1
38	10009221	限位块	position plate	2
39	10010554	螺钉	screw	2
40	10003083	垫片	washer	2
41	10009037	螺钉	screw	1
42	10009200	垫圈	washer	1
43	10009562	螺钉	screw	1
44	10009565	螺母	nut	1
45	10009564	垫片	washer	1

17、送布机构(2)/FEEDING FRAME(2)

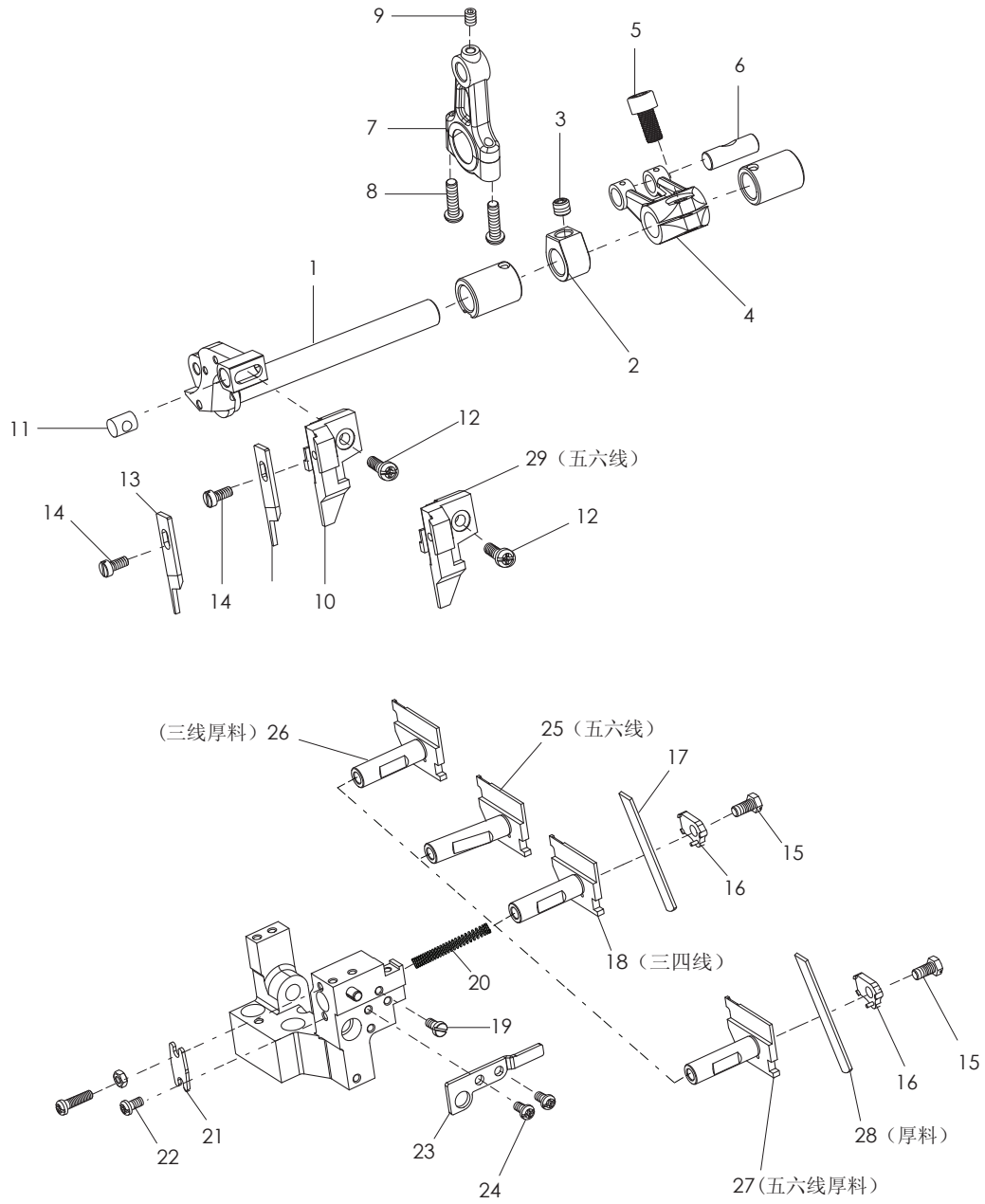


17. 送布机构(2)

FEEDING FRAME(2)

序号 No.	件号 Pars No.	名称	Description	数量 Number
1	10010931	橡胶塞	rubber plug	1
2	10009239	挡圈	retaining spring	1
3	10009198	送料轴	feeding shaft	1
4	10009232	垫片	washer	2
5	10002593	差动调节右曲柄	right crank of differential regulator	1
6	10002592	曲柄滑槽	crank slide trollgh	1
7	10002591	曲柄滑槽盖	crank slide trollgh cover	1
8	10009625	螺钉	screw	2
9	10009164	螺钉	screw	1
10	10009140	差动牙架滑块	sliding block	1
11	10009194	方口曲柄	crank with rectangular shaft	1
12	10009164	螺钉	screw	1
13	10009193	送料连杆销	pin with thread for feeding connecting rod	1
14	10009192	垫圈	washer	1
15	10009467	螺母	nut	1
16	10009186	送料连杆	feeding connecting rod	1
17	10009169	连杆销套	bush connecting rod	1
18	10009192	垫圈	washer	1
19	10009142	螺钉	screw	1
20	10009141	送料牙架	stand of feed dog	1
21	10009140	差动牙架	stand of differential feed dog	1
22	10009137	拾牙调节偏心轴	eccentric shaft	1
23	10009136	开口挡圈	click-in spring	1
24	10009135	O型圈	O ring	1
25	10009117	螺钉	screw	1
26	10009114	橡胶垫	rubber cushion	1
27	10009166	挡圈	washer	2
28	10009074	螺钉	screw	2
29	10009134	滑块	sliding block	1
30	10009133	拾牙滑块	sliding block for feed dog lifting	1
31	10002704	主送料牙	body of main feed dog	1
32	10009586	螺钉	screw	1
33	10002665	辅助送料牙	assistant feed dog	1
34	10010555	螺钉	screw	1
35	10009107	差动送料牙	differential feed dog	1
36	10009586	螺钉	screw	1
37	10009081	牙架油封	oil seal	4
38	10009162	内油封架	oil seal stand	1
39	10009106	牙架左导板	right guiding plate of feed dog stand	1
40	10009105	牙架右导板	left guiding plate of feed dog stand	1
41	10009102	螺钉	screw	4
42	10009161	外油封架	outer oil seal stand	1
43	10003096	螺钉	screw	4

18、切料机构/FABRIC EDGE CUTTING FRAME

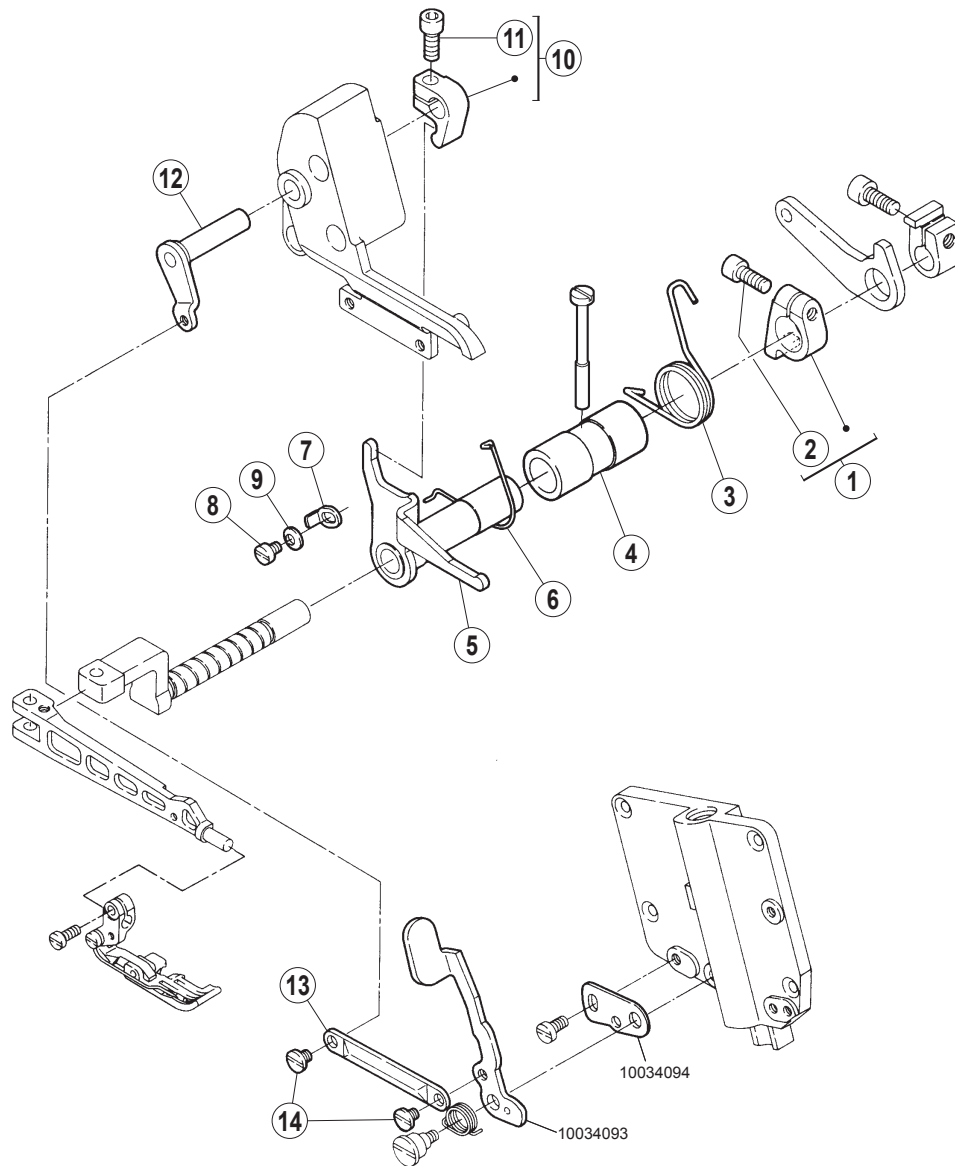


18. 切料机构

FABRIC EDGE CUTTING FRAME

序号 No.	件号 Pars No.	名称	Description	数量 Number
1	10009073	上刀轴	shaft of upper knife drive	1
2	10009078	上刀轴挡圈	retaining ring	2
3	10009076	螺钉	screw	2
4	10009434	上刀轴曲柄	crank of upper knife drive	1
5	10009164	螺钉	screw	1
6	10009432	直针连杆销	pin for connecting bar	1
7	10002942	上刀轴传动连杆	connecting bar of upper knife drive	1
8	10002939	螺钉	screw	1
9	10009109	螺钉	screw	1
10	10009068	上刀架	upper knife holder	1
11	10009070	上刀架紧固销	fastening pin for upper knife holder	1
12	10009037	螺钉	screw	1
13	10009611	上刀	upper knife	1
14	10009115	螺钉	screw	1
15	10009349	螺钉	screw	1
16	10009043	下刀压板	press plate for lower knife	1
17	10010866	下刀	lower knife	1
18	10009045	下刀架	lower knife holder	1
19	10009042	螺钉	screw	1
20	10014399	下刀弹簧	spring for lower knife	1
21	10009041	弹簧挡板	fender of spring	1
22	10010595	螺钉	screw	1
23	10009040	挡板	fender	1
24	10010595	螺钉	screw	2
25	10009301	下刀架	lower knife holder	1
26	10008165	下刀架	lower knife holder	1
27	10023652	下刀架	lower knife holder	1
28	10008604	下刀	lower knife	1
29	10009656	上刀架	upper knife holder	1

19、压脚机构/PRESSER FOOT FRAME

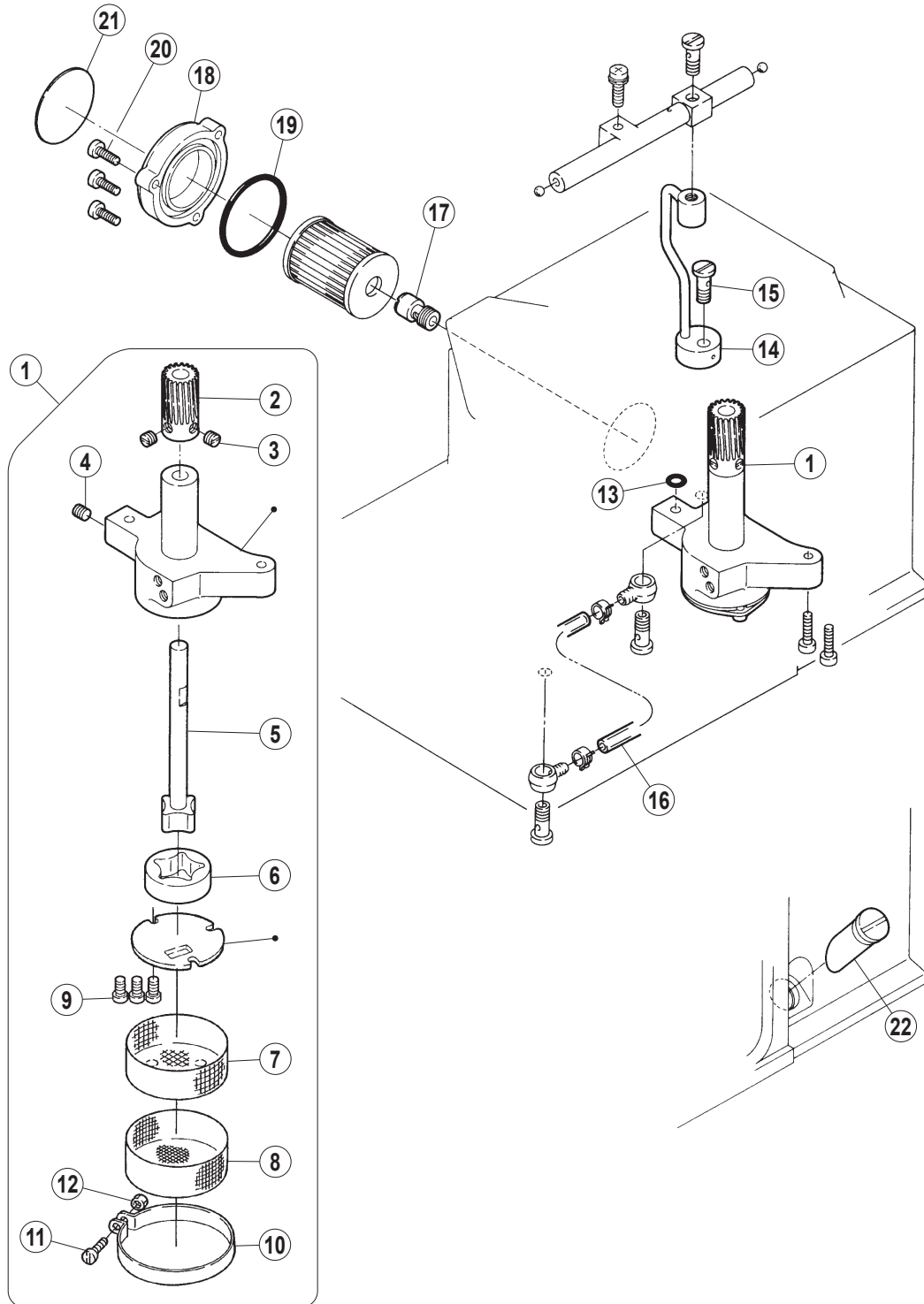


压脚机构

PRESSER FOOT MECHANISM

序号 No.	件号 Pars No.	名称	Description	数量 Number
1	10034109	Z-91-103284-15\曲柄	COLLAR	1
2	10009616	Z-91-101109-15\M6×0.75×14螺钉	BOLT	1
3	10034134	Z-91-103311-15\弹簧	SPRING	1
4	10034097	Z-91-103270-05\压脚轴套	BUSHING	1
5	10034099	Z-91-103273-05\拾牙架轴套	LEVER	1
6	10034133	Z-91-103310-15\弹簧	SPRING	1
7	10034098	Z-91-103271-15\止动板	STOPPER	1
8	10010554	Z-91-101021-15\M4×5.50螺钉	SCREW	1
9	10009464	Z-91-101372-15\垫圈	SPRING	1
10	10034096	Z-91-103269-05\曲柄	LEVER	1
11	10014210	Z-91-101228-15\M5×12螺钉	BOLT	1
12	10034095	Z-91-103268-15\曲柄	LEVER	1
13	10034100	Z-91-103275-15\连杆	LINK	1
14	10034101	Z-91-103276-15\螺钉	SCREW	1

20、润滑机构(1)/LUBRICATION FRAME(1)

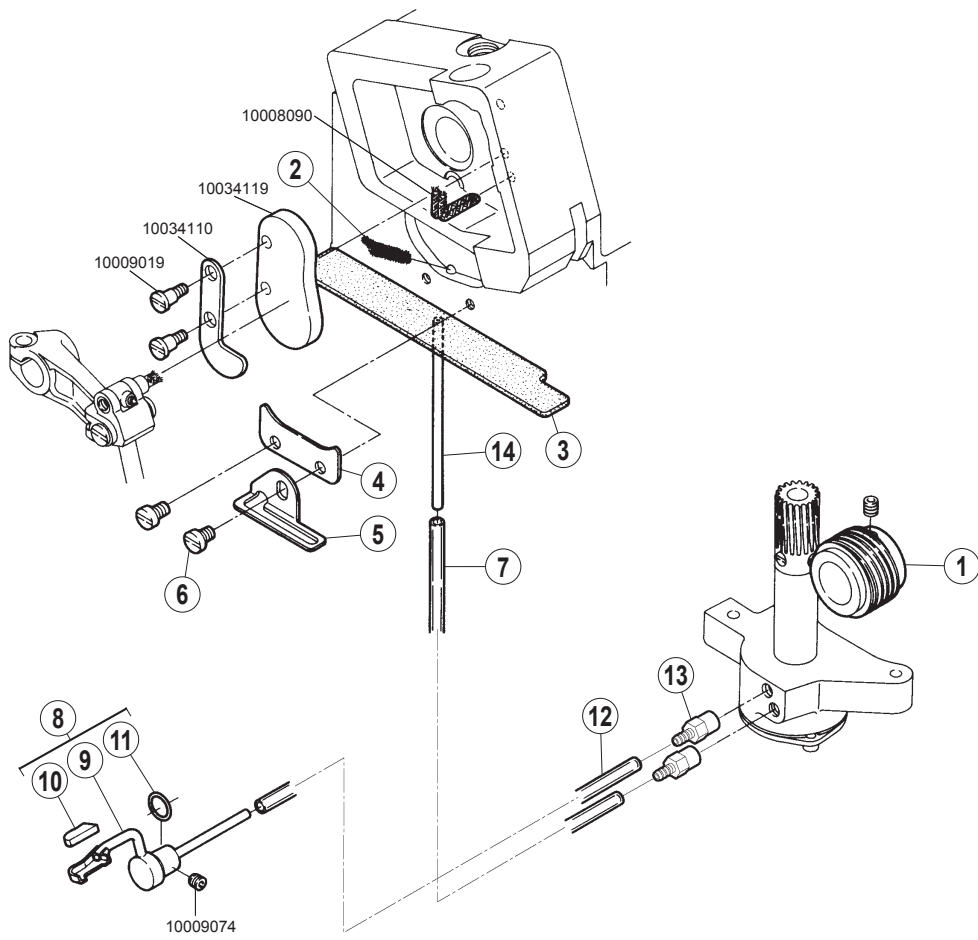


润滑机构

LUBRICATION MECHANISM

序号 No.	件号 Pars No.	名称	Description	数量 Number
1	10026648	Z-91-103107-91\油泵组件	OIL PUMP ASSY	1
2	10002607	Z-91-102237-05\斜齿轮	WORM WHEEL	1
3	10012162	Z-91-101046-15\M5×5螺钉	SCREW	1
4	10010907	Z-91-134177-15\M6×6螺钉	SCREW	
5	10003196	Z-91-101198-05\油泵轴	ROTOR (INSIDE) SHAFT	1
6	10003197	Z-91-101200-05\油泵外转子	ROTOR (OUTSIDE)	1
7	10003201	Z-91-101205-05\内过滤网	FILTER	1
8	10003199	Z-91-101206-05\外过滤网	FILTER	1
9	10009589	Z-91-101202-15\M3.5×6螺钉	SCREW	3
10	10003200	Z-91-101203-15\紧固圈	CLAMP	1
11	10003203	Z-91-101204-15\M3×9.5螺钉	SCREW	1
12	10003025	Z-12-003005-15\M3螺母	NUT	1
13	10003826	Z-15-301002-05\6×1.8-G-NO形圈	O RING	1
14	10034155	Z-91-103332-91\油管组件	OIL DISTRIBUTER	1
15	10009592	Z-91-101211-15\螺钉接头	JOINT SCREW	1
16	10007796	Z-19-101004-05\φ4×φ6油管	OIL TUBE	1
17	10026644	Z-91-103034-05\螺钉接头	JOINT	1
18	20008187	Z-91-103111-75-001\滤油器盖	COVER	1
19	10026756	Z-91-103112-75-004\O型圈	O RING	1
20	10009037	Z-91-101321-15\M4×12螺钉	SCREW	1
21			FILTER SEAL	1
22	10026763	Z-91-103017-05\油窗	OIL LEVEL GAUGE	1

21、润滑机构(2)/LUBRICATION FRAME(2)

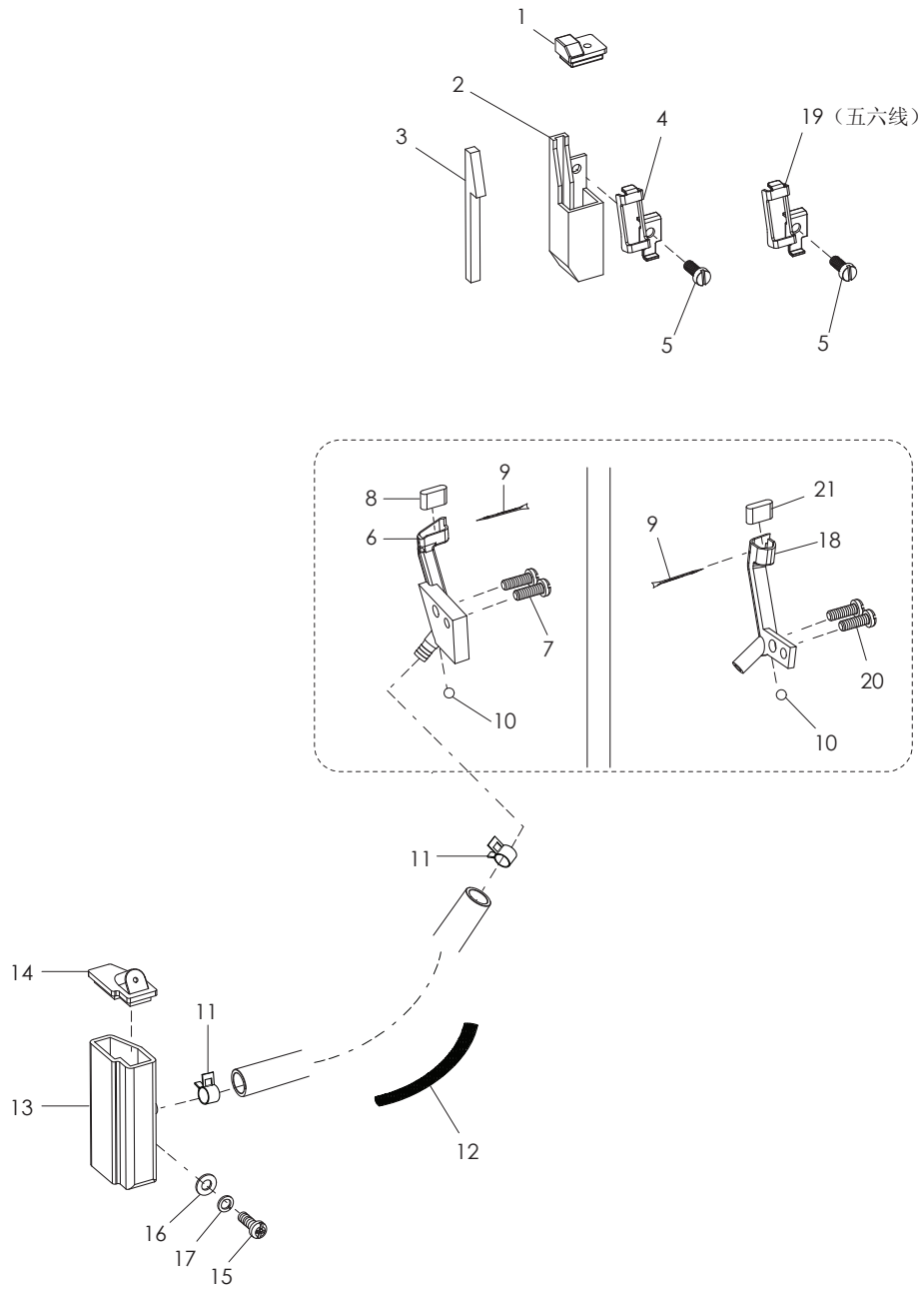


润滑机构(2)

LUBRICATION MECHANISM

序号 No.	件号 Pars No.	名称	Description	数量 Number
1	10009362	Z-91-102084-05\蜗杆	WORM	1
2			OIL WICK	1
3	10034113	Z-91-103288-05\毛毡	FELT	1
4	10034111	Z-91-103286-15\盖	COVER	1
5	10034112	Z-91-103287-15\毛毡压板	SPACER	1
6	10010554	Z-91-101021-15\M4×5.50螺钉	SCREW	2
7	10007793	Z-19-101001-05\φ2.8×φ5油管	TUBE	1
8	20011619	Z-91-103362-91\针杆回油架组件	JOINT ASSY	1
9	10034154	Z-91-103331-91\针杆回油架组件	JOINT	1
10	10008991	Z-91-102258-05\油毡	FELT	1
11	10009608	Z-91-101153-75-004\6×20形圈	O RING	1
12	10007793	Z-19-101001-05\φ2.8×φ5油管	TUBE	1
13	10009591	Z-91-101212-05\螺钉接头	JOINT	2
14	10010438	Z-91-101009-05\3铜管	EXHAUST OIL DISTRIBUTOR	1

22、H·R装置/HOUSING FRAME

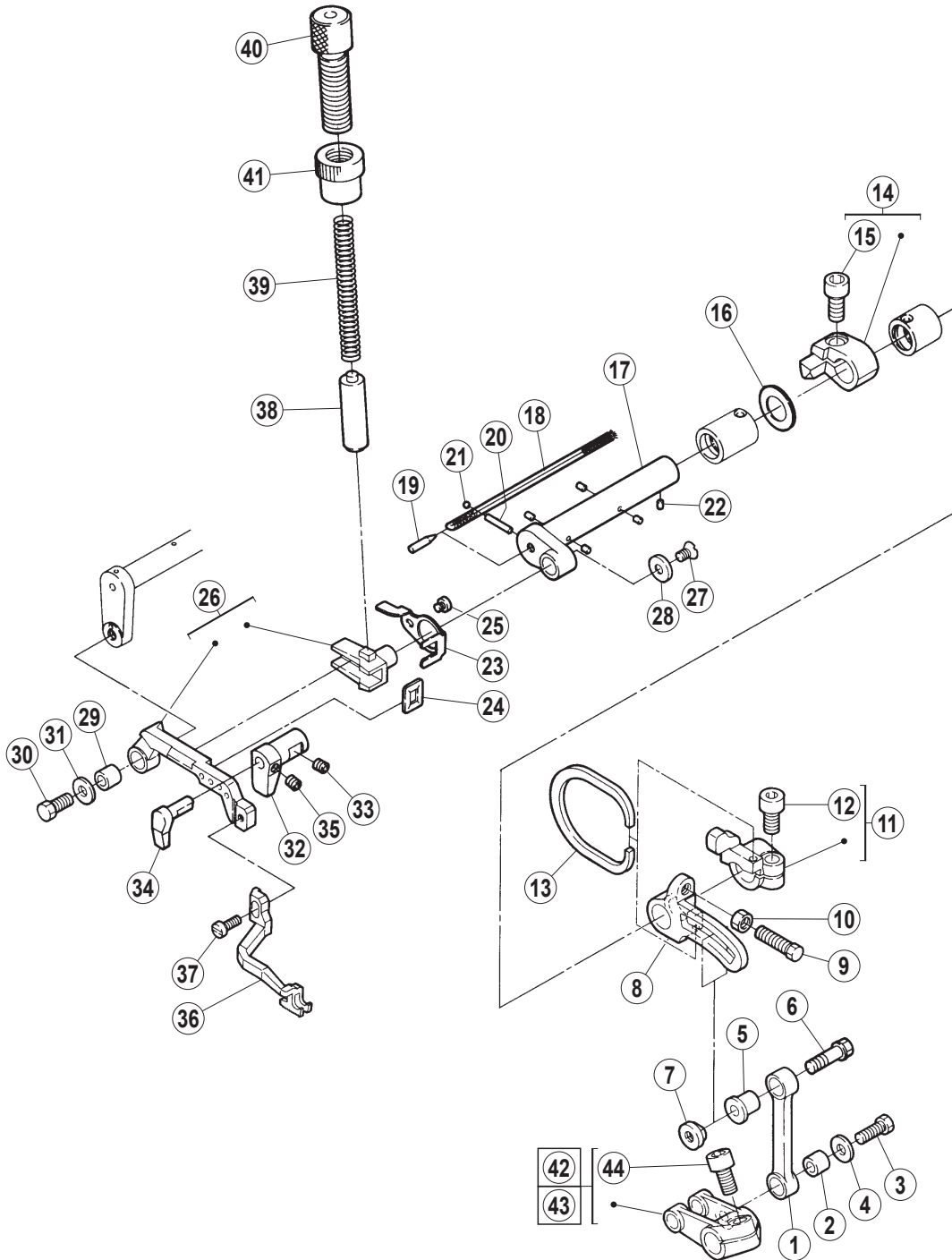


22. 润滑装置

HR DEVICE

序号 No.	件号 Pars No.	名称	Description	数量 Number
1	10008925	盒盖	box cover	1
2	10009094	上硅油盒	upper silicon oil box	1
3	10008924	毛毡	felt	1
4	10008923	毛毡压板	presser plate for felt	1
5	10009104	螺钉	screw	1
6	10008931	硅油盒	silicon oil box	1
7	10009037	螺钉	screw	2
8	10008922	毛毡	felt	1
9	10003344	大头针	pin	1
10	10009826	钢球	steel ball	1
11	10011471	紧固圈	fastening ring	2
12	10008072	油线	oil wick	1
13	10008971	下硅油盒	lower silicon oil box	1
14	10008883	盒盖	box cover	1
15	10002934	螺钉	screw	1
16	10003133	垫圈	washer	1
17	10009503	垫圈	washer	1
18	10009661	硅油盒	silicon oil box	1
19	10023474	毛毡压板	presser plate for felt	1
20	10009042	螺钉	screw	2
21	10009659	毛毡	felt	1

23、上送布机构(1)/TOP FEED MECHANISM(1)

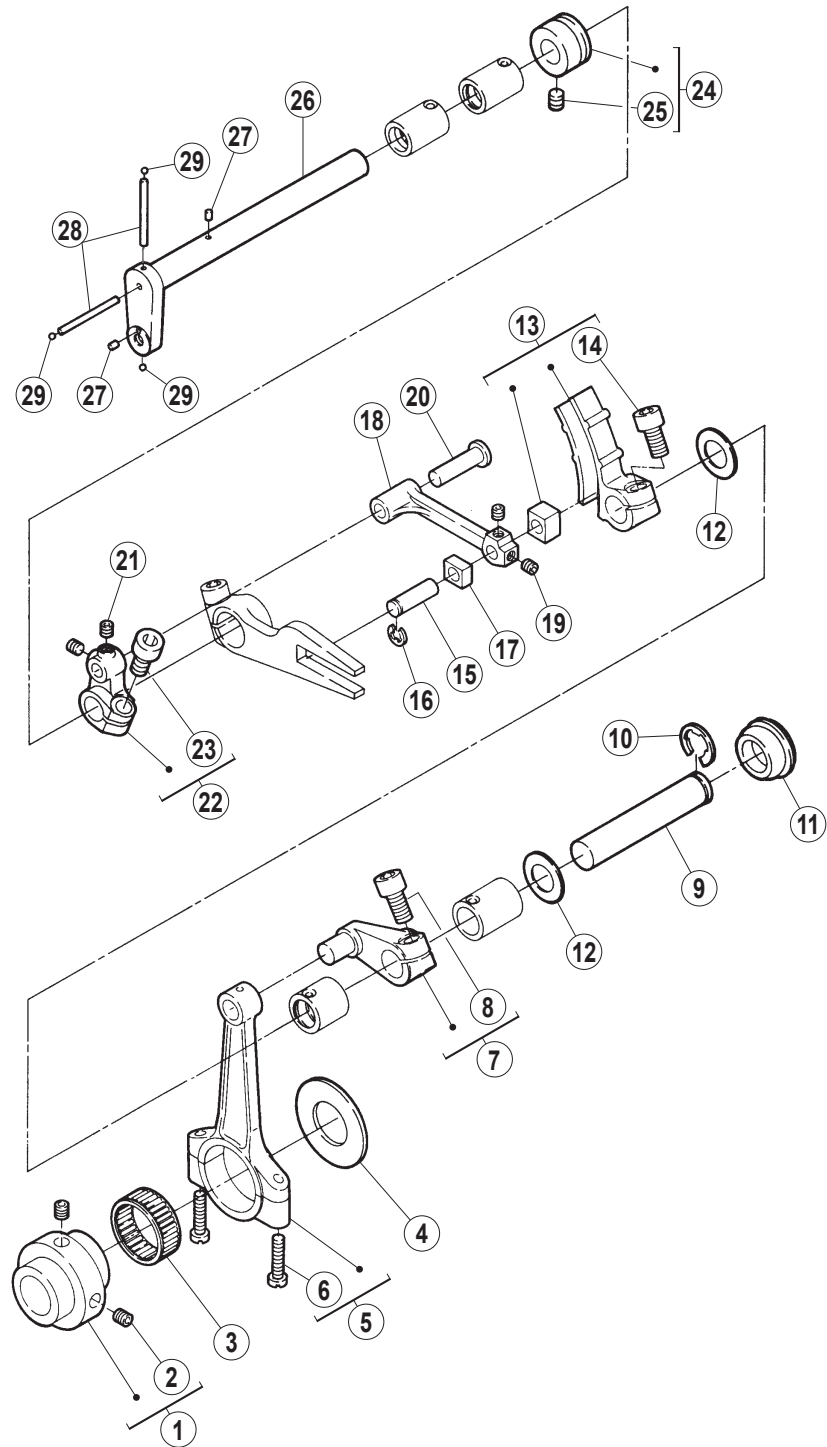


23、上送料机构(1)

TOP FEED MECHANISM(1)

序号 No.	件号 Part No.	名称	Description	数量 Number
1	10034054	Z-91-103221-05\连杆	LINK	1
2	10009169	Z-91-102160-05\连杆销套	BUSHING	1
3	10009142	Z-91-102162-15\M5×0.5-6h×12.5螺钉	BOLT	1
4	10009192	Z-91-102161-05\5.3×11×1.4垫圈	WASHER	1
5	10034055	Z-91-103225-05\连杆销套	BUSHING	1
6	10034132	Z-91-103309-15\螺钉	BOLT	1
7	10034056	Z-91-103226-05\螺母	NUT	1
8	10034057	Z-91-103227-05\曲柄	CRANK	1
9	10035662	Z-91-103390-15\螺钉	BOLT	1
10	10035663	Z-91-103391-15\螺母	NUT	1
11	10034060	Z-91-103230-05\曲柄	COLLAR	1
12	10009164	Z-91-101137-15\M6×0.75×12螺钉	BOLT	1
13	10034061	Z-91-103231-15\平面弹簧	FLAT SPRING	1
14	10034062	Z-91-103232-05\曲柄	COLLAR	1
15	10009616	Z-91-101109-15\M6×0.75×14	BOLT	1
16	10009477	Z-91-102211-05\12.2×16.2×0.2垫圈	WASHER	1
17	10034063	Z-91-103233-05\曲柄轴	CRANKSHAFT	1
18	10008101	Z-19-202004-05\Φ2油线	OIL WICK	1
19	10037445	Z-91-103403-05\油线销	PIN	1
20	10008101	Z-19-202004-05\Φ2油线	FELT	1
21			BALL	1
22	10009397	Z-91-101355-05\4.8毛毡	FELT	5
23	10034122	Z-91-103298-15\上牙架油封	GUIDE/FEED BAR OIL SEAL	1
24	10034114	Z-91-103290-05\油封	OIL SEAL	1
25	10011257	Z-91-134075-15\M3×2.5螺钉	SCREW	1
26	10037437	Z-91-103396-91\上送布牙架组件	TOP FEED BAR ASSY	1
27	10009195	Z-91-101687-15\M4×7.80螺钉	SCREW	1
28	10034065	Z-91-103235-05\垫圈	WASHER	1
29	10009169	Z-91-102160-05\连杆销套	BUSHING	1
30	10009142	Z-91-102162-15\M5×0.5-6h×12.5螺钉	BOLT	1
31	10009192	Z-91-102161-05\5.3×11×1.4垫圈	WASHER	1
32	10034064	Z-91-103234-05\上送布架内导向板	GUIDE/TOP FEED BAR	1
33	10009074	Z-91-101066-15\M4×4螺钉	SCREW	1
34	10034115	Z-91-103291-05\上送布架外导向板	GUIDE/TOP FEED BAR	1
35	10009074	Z-91-101066-15\M4×4螺钉	SCREW	1
36	10034121	Z-91-103297-05\上送布齿	TOP FEED DOG	1
37	10009487	Z-91-101375-15\M3.5×10螺钉	SCREW	1
38	10034120	Z-91-103296-05\压棒	PRESSER BAR	1
39	10034151	Z-91-103328-15\弹簧	SPRING	1
40	10034152	Z-91-103329-15\调压螺钉	SCREW	1
41	10034123	Z-91-103299-15\螺母	NUT	1
42			CRANK	1
43	10034066	Z-91-103236-05\上刀曲柄	CRANK	1
44	10009164	Z-91-101137-15\M6×0.75×12螺钉	BOLT	1

24、上送料机构(2)/TOP FEED MECHANISM(2)

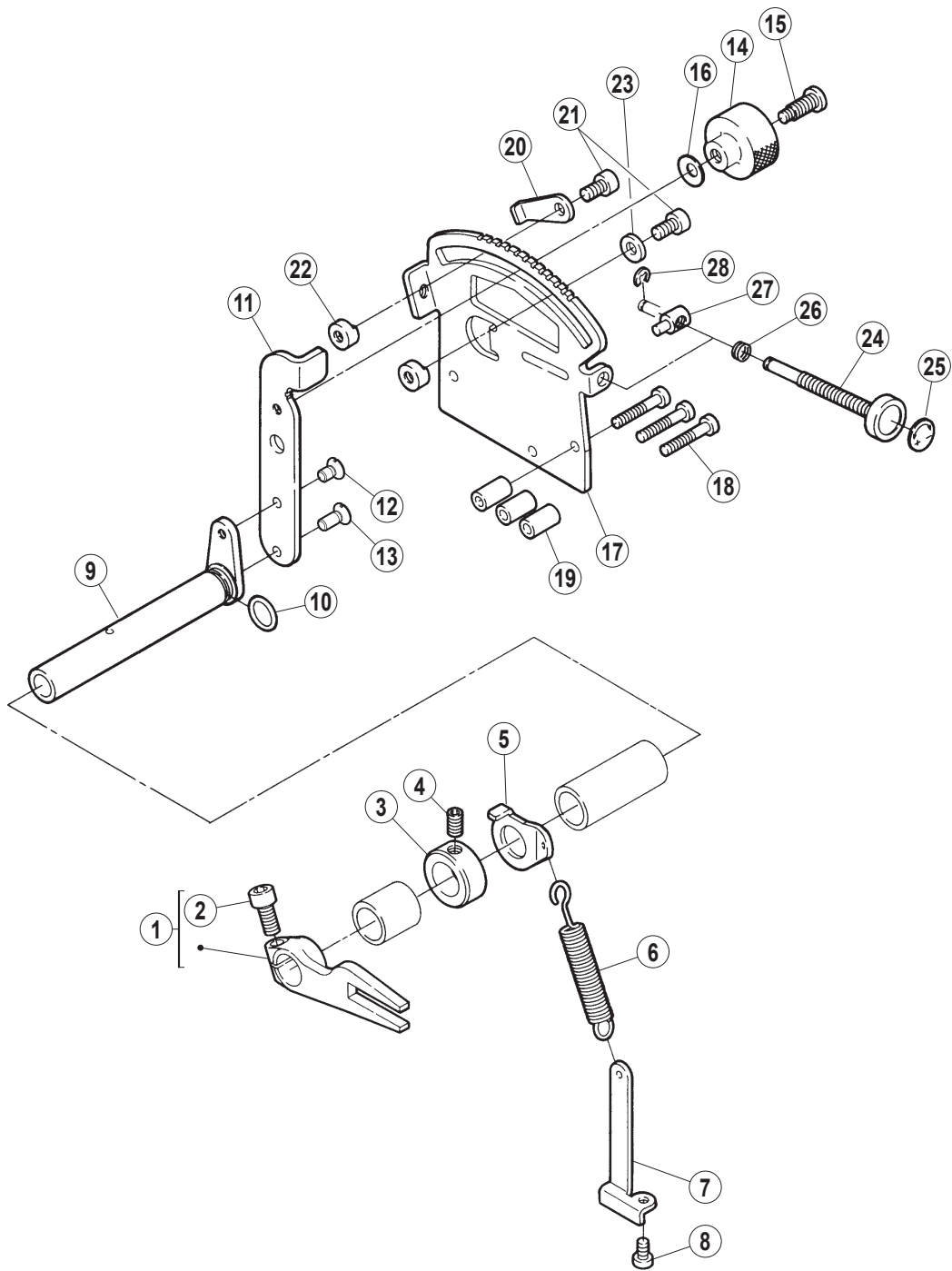


24、上送料机构(2)

TOP FEED MECHANISM(2)

序号 No.	件号 Pars No.	名称	Description	数量 Number
1	10034067	Z-91-103237-05\偏心轮	ECCENTRIC	1
2	10012162	Z-91-101046-15\M5×5螺钉	SCREW	2
3			NEEDLE PIN	1
4	10034069	Z-91-103239-05\挡圈	WASHER	1
5	10034068	Z-91-103238-05\滚针轴承连杆	CONNECTION	1
6	10001046	Z-94-174458-15\M4×18螺钉	SCREW	2
7	10034070	Z-91-103240-05\曲柄	CRANK	1
8	10009164	Z-91-101137-15\M6×0.75×12螺钉	BOLT	1
9	10034071	Z-91-103241-05\轴	SHAFT	1
10	10003273	Z-12-606007-15\8挡圈	RETAINING RING	1
11	10008964	Z-91-102291-75-004\橡胶塞	PLUG	1
12	10009477	Z-91-102211-05\12.2×16.2×0.2垫圈	WASHER	1
13	10037436	Z-91-103393-91\弧型调节曲柄组件	CRANK ASSY	1
14	10009164	Z-91-101137-15\M6×0.75×12螺钉	BOLT	1
15	10034074	Z-91-103244-05\销	PIN	1
16	10009653	Z-12-606003-15\4挡圈	RETAINING RING	1
17	10034124	Z-91-103301-05\滑块	BLOCK	1
18	10034131	Z-91-103308-05\连杆	LINK	1
19	10009074	Z-91-101066-15\M4×4螺钉	SCREW	2
20	10034075	Z-91-103245-05\销	PIN	1
21	10009074	Z-91-101066-15\M4×4螺钉	SCREW	2
22	10034076	Z-91-103246-05\曲柄	CRANK	1
23	10009164	Z-91-101137-15\M6×0.75×12螺钉	BOLT	1
24	10034077	Z-91-103247-05\挡圈	COLLAR	1
25	10012162	Z-91-101046-15\M5×5螺钉	SCREW	1
26	10034078	Z-91-103248-05\曲柄轴	CRANKSHAFT	1
27			FELT	1
28			FELT	1
29			BALL	1

25、上送布机构(3)/ TOP FEED MECHANISM(3)

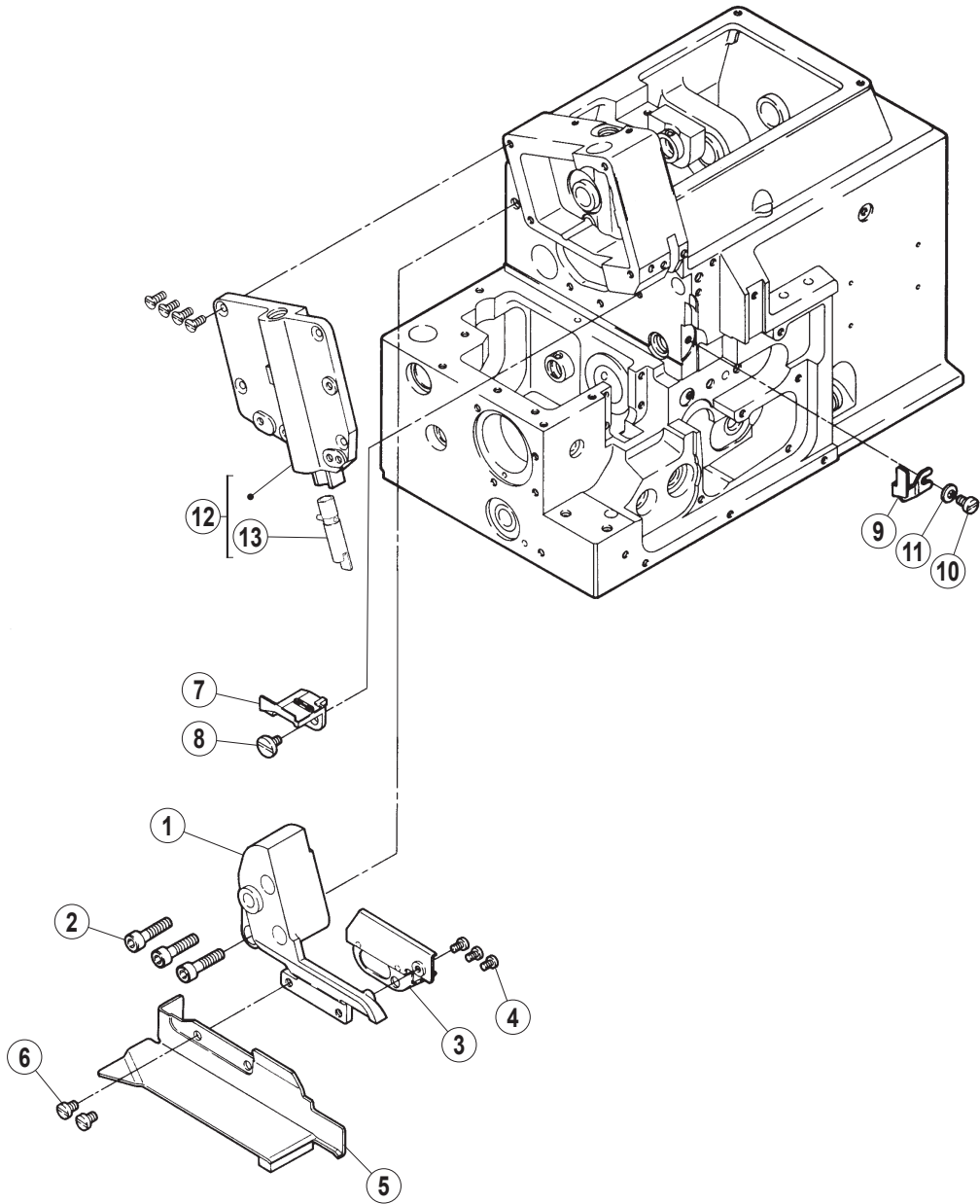


25、上送布机构(3)

TOP FEED MECHANISM(3)

序号 No.	件号 Pars No.	名称	Description	数量 Number
1	10034079	Z-91-103249-05\曲柄	LEVER	1
2	10009616	Z-91-101109-15\M6×0.75×14螺钉	BOLT	1
3	10034087	Z-91-103260-15\挡圈	COLLAR	1
4	10001938	Z-94-173249-15\M6×10螺钉	SCREW	1
5	10034088	Z-91-103261-15\弹簧拉板B	LATCH	1
6	10034125	Z-91-103302-15\弹簧	SPRING	1
7	10034089	Z-91-103262-15\弹簧拉板A	LATCH	1
8	10010595	Z-91-101019-15\M4×7.5螺钉	SCREW	1
9	10034080	Z-91-103253-05\轴	SHAFT	1
10	10009391	Z-91-102104-75-004\1.4×12.20型圈	O RING	1
11	10034081	Z-91-103254-25\调节扳手	LEVER	1
12	10009049	Z-91-101035-15\M4×5螺钉	SCREW	1
13	10009195	Z-91-101687-15\M4×7.80螺钉	SCREW	1
14	10034082	Z-91-103255-15\调节螺母	NUT	1
15	10009562	Z-91-101162-15\螺钉	SCREW	1
16	10009564	Z-91-101159-15\垫圈	SPRING	1
17	10034083	Z-91-103256-25\调节指示板	BLADE GUIDE	1
18	10012089	Z-91-134490-15\M4×25螺钉	SCREW	3
19	10034084	Z-91-103257-15\间隔套	SPACER	3
20	10034085	Z-91-103258-15\止动板	STOPPER	1
21	10003165	Z-11-103036-15\M5×10螺钉	BOLT	2
22	10034086	Z-91-103259-35\螺母	NUT	2
23	10012318	Z-12-305002-15\5垫圈	WASHER	1
24	10009218	Z-91-102148-15\微调螺柱	ADJUSTING BAR	1
25	10009216	Z-91-102149-95\指示标帖	SEAL	1
26	10009205	Z-91-102150-15\微调螺柱限位弹簧	SPRING	1
27	10009203	Z-91-102151-15\微调螺母	PIN	1
28	10003231	Z-12-606006-15\2.5挡圈	RETAINING RING	1

26、外罩/COVER

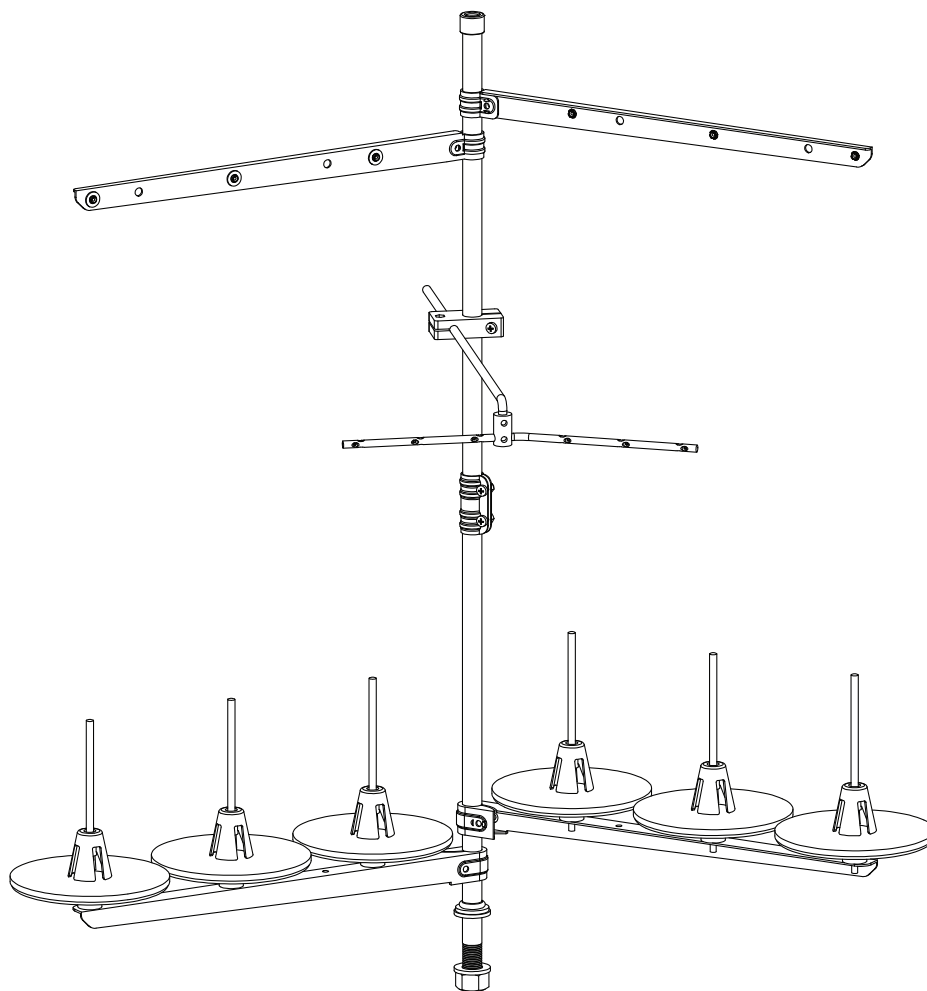


26、外罩

COVER

序号 No.	件号 Pars No.	名称	Description	数量 Number
1	10037439	Z-91-103395-35\支架	BRACKET	1
2	10009171	Z-91-101012-15\M6×25螺钉	BOLT	3
3	10034135	Z-91-103312-15\盖	COVER	1
4	10011545	Z-91-133532-15\M3×3.3螺钉	SCREW	3
5	10034090	Z-91-103263-25\内盖板	FABRIC GUIDE	1
6	10014441	Z-91-131222-15\M4×6螺钉	SCREW	2
7	10035270	Z-91-103388-75-004\挡油罩	COVER	1
8	10010556	Z-91-101439-15\螺钉	SCREW	1
9	10034092	Z-91-103265-15\挡油板	COVER	1
10	10012723	Z-91-131054-15\M4×5螺钉	SDREW	1
11	10009464	Z-91-101372-15\垫圈	SPRING	1
12	20011591	Z-91-103264-75-001\侧盖	SIDE COVER ASSY	1
13	20000664	Z-91-102033-91\压杆组件	PRESSER BAR	1

27、线架/THREAD STAND PARTS

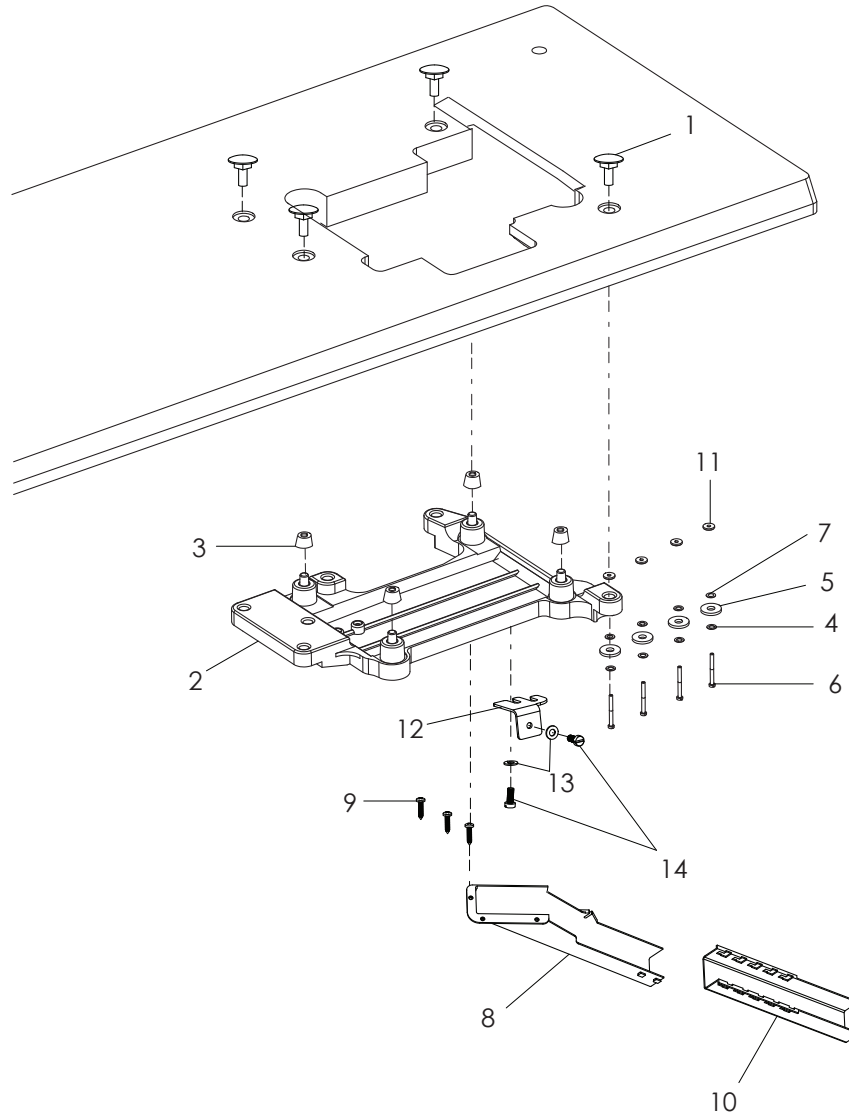


27. 线架

THREAD STAND PARTS

序号 No.	件号 Pars No.	名称	Description	数量 Number
1	10007906	四线线架组件	thread stand aggregate	1
	10004956	五线线架组件	thread stand aggregate	1
	10006347	三线线架组件	thread stand aggregate	1
	10005969	六线线架组件	thread stand aggregate	1

28、油盘托架/OIL TANK BRACKET

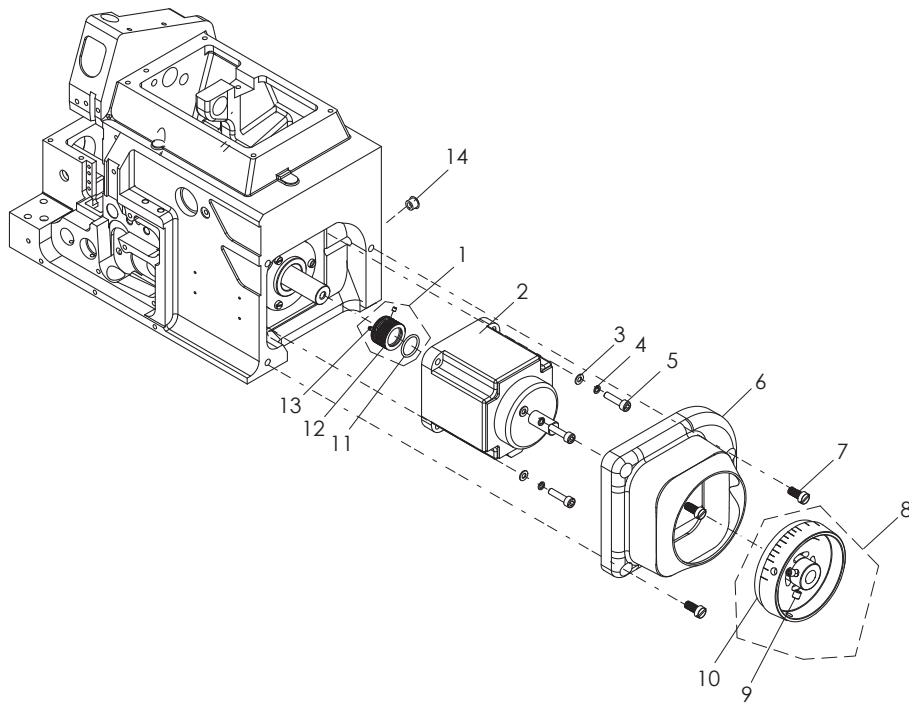


28. 油盘托架

OIL TANK BRACKET

序号 No.	件号 Pars No.	名称	Description	数量 Number
1	10009596	螺套	bush with inner thread	4
2	10008969	安装托板	installation plate	1
3	10009510	托盘橡胶垫	washer	4
4	10003331	弹簧垫	spring washer	4
5	10009272	调整垫	adjusting washer	8
6	10003106	螺钉	screw	4
7	10009273	垫圈	washer	4
8	10027625	下料槽上节	upper section of scrap channel	1
9	10004981	螺钉	screw	3
10	10027626	下料槽下节	lower section of scrap channel	1
11	10026758	垫圈	washer	1
12	10028836	连接板	link pale	1
13	10012813	垫圈	washer	2
14	10013938	螺钉	screw	2

29、直驱机构/STRAIGHT DRIVE FRAME



29. 直驱机构

STRAIGHT DRIVE FRAME

序号 No.	件号 Pars No.	名称	Description	数量 Number
1	20008758	螺纹套组件	component of bush mounted in screw	1
2	10013146	电机	motor	1
3	10012318	垫圈	washer	4
4	10005537	垫圈	washer	4
5	10000860	螺钉	screw	4
6	10003412	电机罩	cover	1
7	10002935	螺钉	screw	3
8	20010347	手轮组件	component of hand wheel	1
9	10009187	螺钉	screw	2
10	20003929	手轮	hand wheel	1
11	10009360	O型圈	O ring	1
12	10009751	螺纹套	bush mounted in screw	1
13	10010196	螺钉	screw	2
14	10008943	橡胶塞	rubber plug	1

机 型 MACHINE TYPE /SPEC	间距		针板 NEEDLE PLATE	主送料牙组件 MAIN FEED DOG ASSM.	主送料牙 MAIN FEED DOG	辅助送料牙 AUX FEED DOG	差动送料牙 DIFF FEED DOG	上送布齿 TOP FEED DOG	压脚组件 PRESSER FOOT ASSM.	上弯针 UPPER LOOPER	下弯针 LOWER LOOPER
	GAUGE NG	SW									
ZJ952S-13H-BD	2	4	10037798	10037799	/	/	10037800	10034121	10034159	10038219	10008565



机 型 MACHINE TYPE /SPEC	间距		上刀		下刀 LOWER KNIFE	护针		针夹头 NEEDLE HOLDER	机针 NEEDLE
	GAUGE NG	SW	平刀 FLAT NIFE	角刀 ANGLED KNIFE		前 FRONT	后 REAR		
ZJ952S-13H-BD	2	4	10008556	/	10008604	10009377	10009023	10009340	DCX27 #14

