



**ZOJE**  
中捷

ZJ9610  
ZJ9620  
ZJ9625  
ZJ9630

系列

使用说明书  
OPERATION MANUAL

零件手册  
PARTS BOOK



**ZOJE**  
中捷

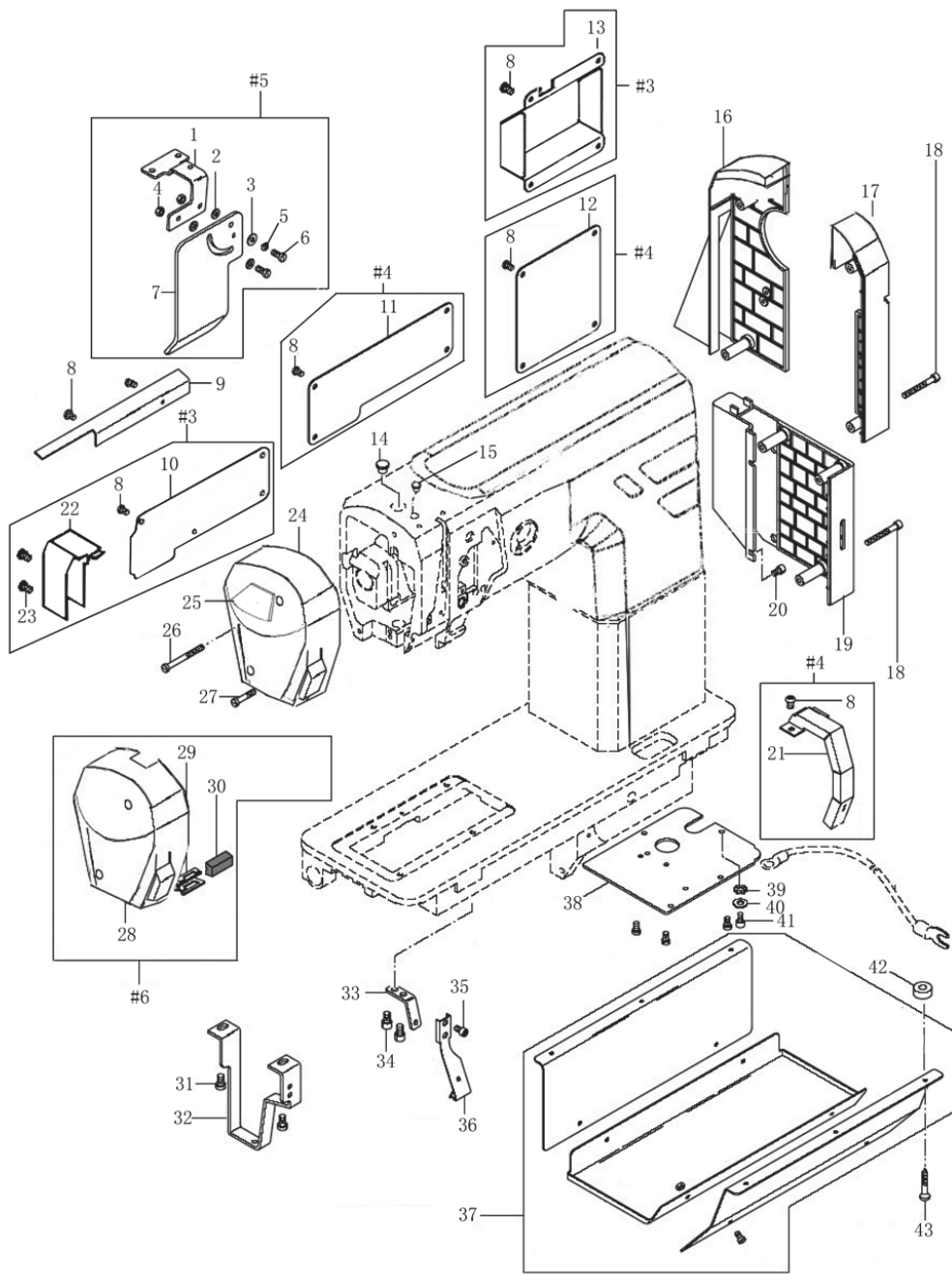
中国·中捷缝纫机股份有限公司  
ZOJE SEWING MACHINE CO., LTD.

地址：浙江玉环大麦屿开发区  
ADD: DAMAYU ZONE YUHUAN ZHEJIANG, 317604 CHINA  
免费咨询电话：TEL: 800-857-6715

中国·中捷缝纫机股份有限公司  
ZOJE SEWING MACHINE CO., LTD.

## Parts List Contents

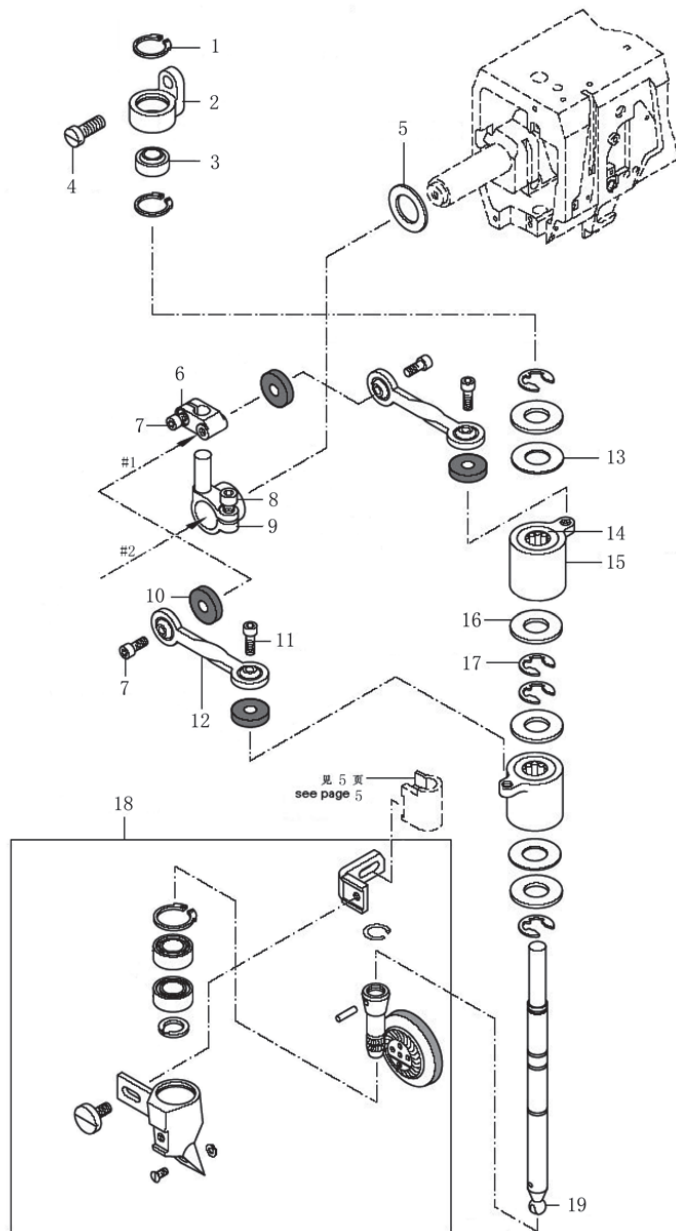
1.01 Housing sections	1
1.02 Needle head parts	3
1.03 Arm parts	13
1.04 Bedplate parts	19
2.01 Hook post,left (9620、9625)	27
1.02 Hook post,right (9610、9620、9630)	31
2.03 Feed wheel post (9610、9630)	35
2.04 Feed wheel mounting plate (9625)	37
3 Thread trimmer (-D、9630)	39
4 Automatic presser foot lifter (-D3)	43
5.01 Presser foot (-D3)	45
5.02 Presser foot (9630)	47
5.03 Backtacking mechanism (-D3)	49
5.04 Backtacking mechanism (9630)	51
5.05 Backtacking drive mechanism (9610-D3)	53
5.06 Backtacking drive mechanism (9620-D3)	55
5.07 Backtacking drive mechanism (9630)	57
6 Pneumatic equipment	59
7 Knee lifter parts	61
8 Reel stands	61
9 Parts for table top	61
10 Cable tree to sewing head	63
11 Built-in motor	65
12 Gauge parts	67



机身部件

Housing sections

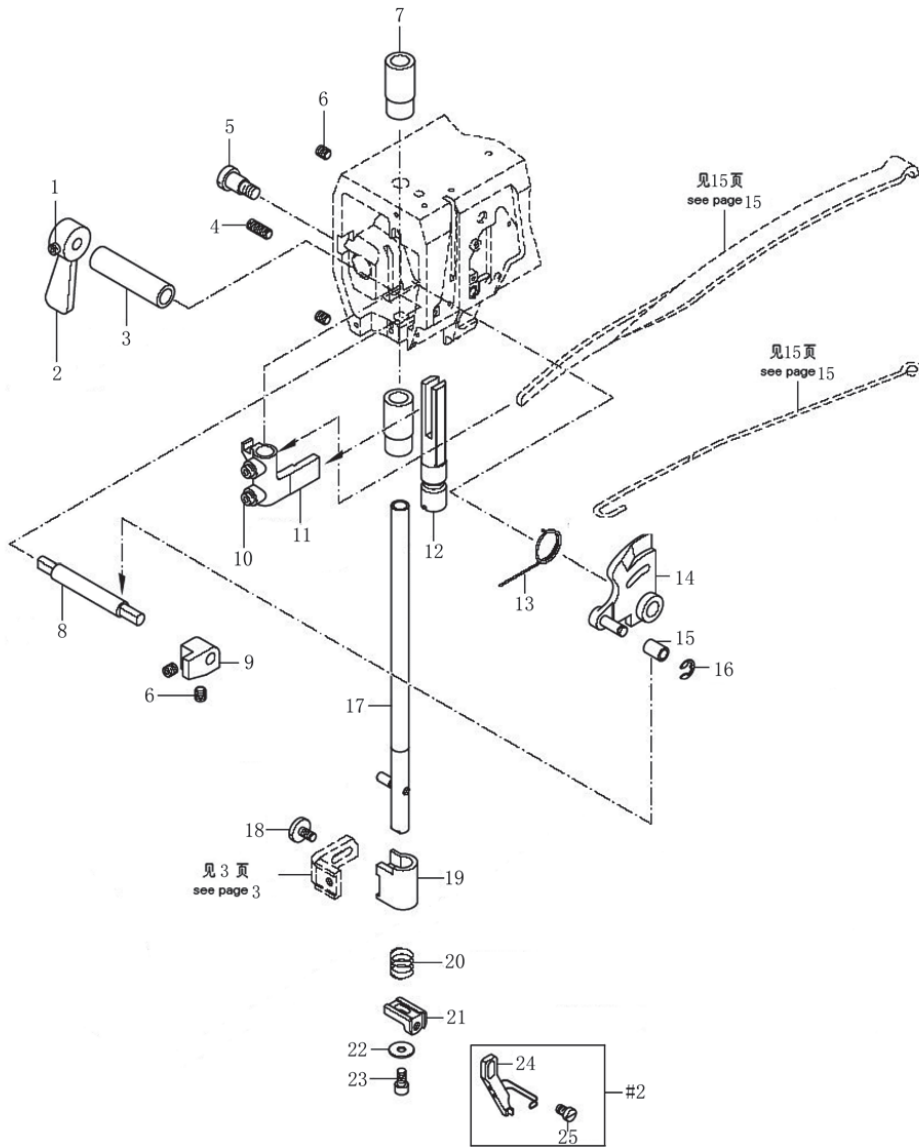
序号 No.	件号 Pars No.	名称	Description	数量 Number
1	20003964	防护板支架	protection apron bracket	1
2	10005016	垫圈	Washer	3
3	10001413	防护板螺钉垫片	protection apron Screw washer	1
4	10003021	螺母	nut	2
5	10003235	垫圈	Washer	1
6	10005271	螺钉	Screw (M5×12)	2
7	10001607	防护板	protection apron	1
8	10007096	螺钉 (M5×10)	Screw (M5×10)	11
9	20003397	折板	Zone Plate	1
10	20003973	后盖板喷漆	back cover board painting	1
11	20003398	后盖前板	back cover(front) board	1
12	20003409	后盖板	back cover board	1
13	20003974	后防护罩喷漆	back shield	1
14	10005124	油塞	oil dam	1
15	10005501	油塞	oil dam	1
16	10005152	皮带右防护罩	Force Shield(right)	1
17	10005269	皮带左防护罩	Force Shield(left)	1
18	10005303	M5×40螺钉	Screw (M5×40)	6
19	10005321	皮带防护下罩	Force Shield(down)	1
20	10005003	螺钉	Screw (M5×8)	5
21	20003399	挑线杆护罩	Shield	1
22	20003972	电磁铁防护罩喷漆	Shield painting	1
23	10005107	螺钉	Screw (M4×6)	2
24	10005274	面板	Panel	1
25	10005468	面板装饰牌	panel brand	1
26	10004967	螺钉	Screw (M5×35)	1
27	10005430	螺钉	Screw (M5×25)	1
28	10001658	面板	Panel	1
29	10005042	油绳	Wick	1
30	10001606	面板过线板毡	Panel felt	1
31	10004974	螺钉	Screw (M6×10)	2
32	10005426	支脚	bracket	1
33	10005008	支板	trestle board	1
34	10005122	螺钉	Screw (M4×30)	2
35	10005539	螺钉	Screw (M5×6)	1
36	10005187	弹簧	spring	1
37	10005296	机头油盘组件	Head Oil Reservoir	1
38	10005349	板	Board	1
39	10005425	弹簧垫	Spring Washer	1
40	10005016	垫圈	Washer	1
41	10005322	螺钉	Screw (M5×10)	1
42	10005363	油盘油毡垫	Oil Reservoir Gasket	6
43	10008323	螺钉	Screw (ST4. 2×20)	6



## 机头零件

## Needle head parts

序号 No.	件号 Pars No.	名称	Description	数量 Number
1	10005487	挡圈	Collar	2
2	10005399	宛形曲柄	crank	1
3	10005073	宛形曲柄轴承	crank bearing	1
4	10005372	螺钉	Screw(M6×16)	1
5	10005194	输送主轴挡圈垫片	washer	1
6	10005043	万向联接座	base frame	1
7	10012752	螺钉	Screw(M4×10)	3
8	10010953	螺钉	Screw(M5×10)	1
9	10005212	万向联接头	Union	1
10	10005343	油毡垫片	Washer	4
11	10005366	螺钉	Screw(M4×12)	2
12	10005179	球连杆组件	Ball Connecting Rod	2
13	10024475	调整垫圈	Adjustable washer	2
14	10005286	滚轮联接轴轴承	Roller wheel coupling spindle bearing	2
15	10005506	轴承座	bearing seat	2
16	10005465	轴承座垫片	bearing seat washer	4
17	10005377	轴承座挡圈	bearing seat collar	4
18	10005048	滚轮压脚组件	idler wheel foot asm.	1
19	10005301	滚轮联接轴	Roller wheel coupling spindle	1
NOTE 注记		#1...FOR 9610	9610用	
		#2...FOR 9620	9620用	

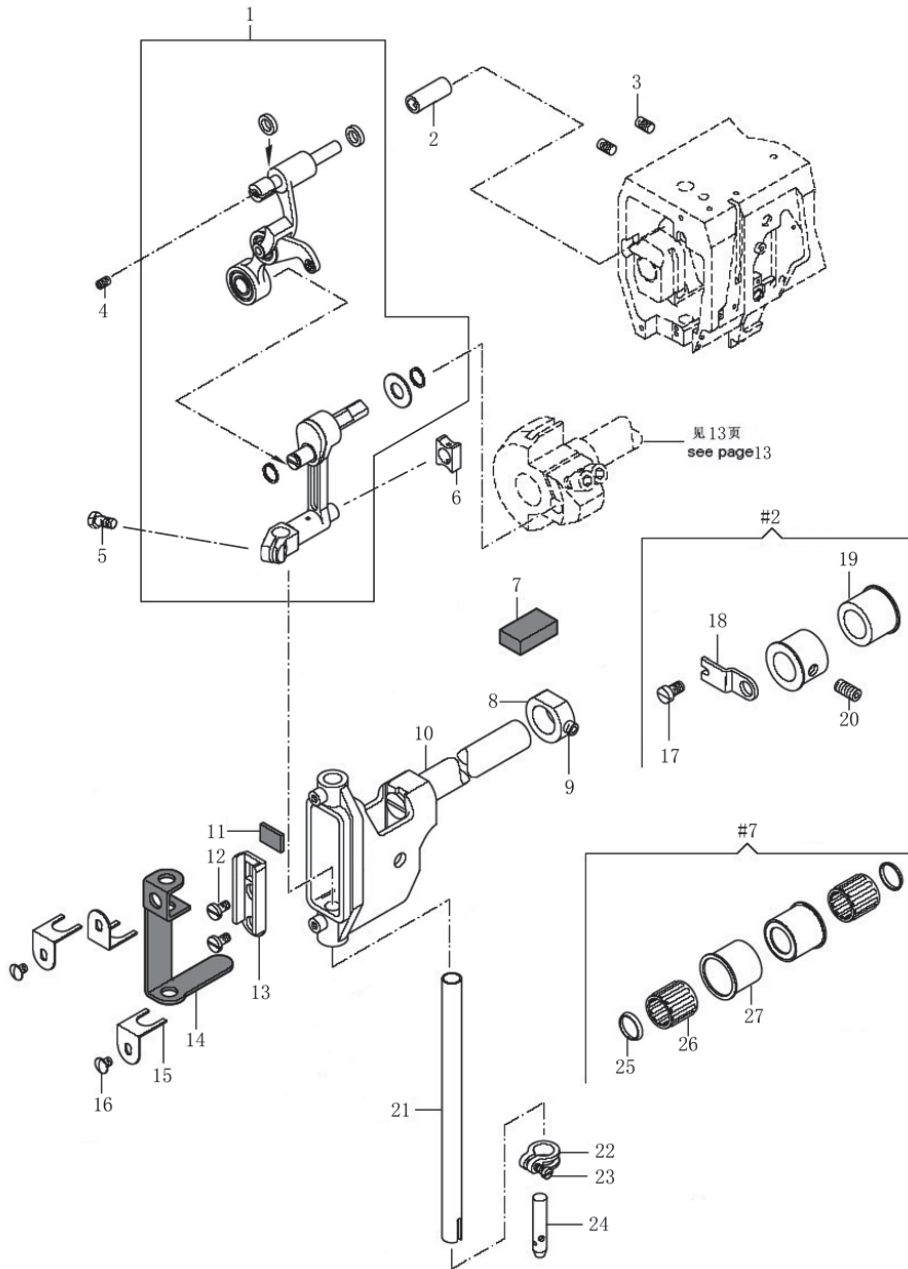


## 机头零件

## Needle head parts

序号 No.	件号 Pars No.	名称	Description	数量 Number
1	10012162	螺钉	Screw(M5×5)	1
2	20003486	压脚扳手	Presserfoot spanner	1
3	10005412	抬压脚手柄轴套	Presser feet handle bushing	1
4	10005180	螺钉	Screw(M6×8)	1
5	10005312	螺钉	Screw(M6×8)	1
6	10022018	螺钉	Screw(M5×5)	4
7	10005546	压杆轴套	Strut bar bearing	2
8	10005011	抬压脚轴	Presser foot lift axle	1
9	10005543	抬压脚凸块	Presser foot lift bump	1
10	10005549	螺钉	Screw(M6×5)	2
11	10005208	压杆滑块	Strut bar slides	1
12	10005192	压杆滑块导杆	Strut bar slides guide bar	1
13	10005418	松线复位簧	replacement spring	1
14	10005239	抬压脚前杠杆焊接件	Presser foot lift jointing	1
15	10005406	抬压脚前杠杆销套	Presser foot lift pin	1
16	10005078	挡圈	Collar	1
17	10005178	压脚杆组件	Presser feet assembly	1
18	10005243	螺钉	Screw(M4×8)	1
19	10005068	压脚柄	Presser feet handle	1
20	10005460	压簧	Compression spring	1
21	10001492	压料器定位座	Eccentric swage locating seat	1
22	10005415	垫圈	Washer	1
23	10005350	螺钉	Screw(M4×8)	1
24	10001422	压料器组件	Eccentric swage assembly	1
25	10005204	螺钉	Screw(M4×6)	1

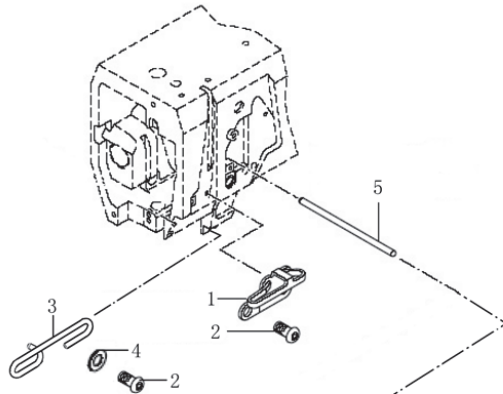




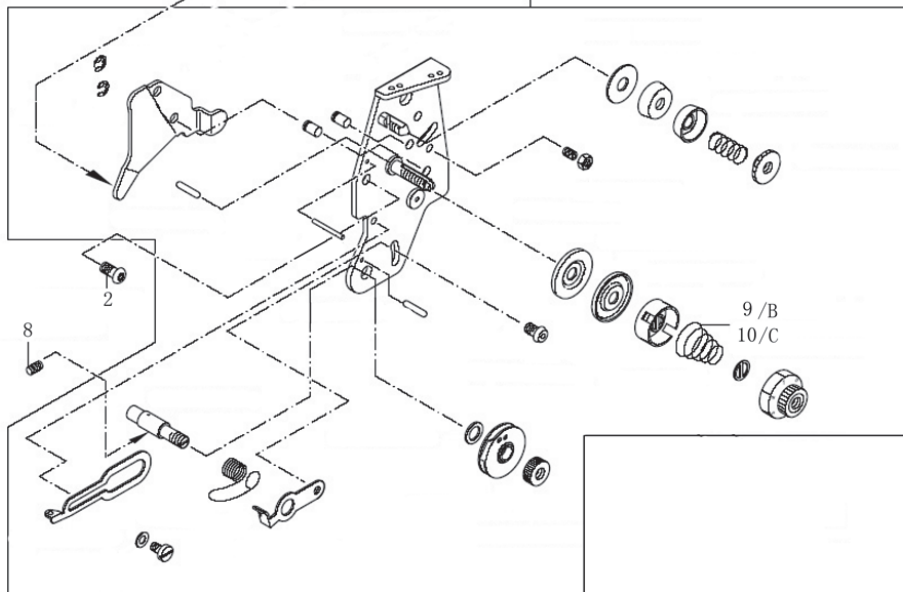
## 机头零件

## Needle head parts

序号 No.	件号 Pars No.	名称	Description	数量 Number
1	10005207	挑线杆组件	Takeuplever assembly	1
2	10005267	挑线连杆销衬套	Takeuplever pin bushing	1
3	10004949	螺钉	Screw	2
4	10005295	螺钉	Screw	1
5	10005314	螺栓	Bolt	1
6	10005326	针杆连接柱滑块	Needle joining slider	1
7	10005275	油毡	Linoleum	1
8	10005482	上边轴挡圈	Uper check ring	1
9	10005549	螺钉	Screw	1
10	10005397	针杆架件	Needle bar assembly	1
11	10005188	油毡	Linoleum	1
12	10005379	螺钉	Screw	2
13	10005263	针杆滑块槽	Needle slider groove	1
14	10004947	油毡	Linoleum	1
15	10005197	油毡压板	Linoleum clamp	1
16	10005050	螺钉	Screw	2
17	10001493	螺钉	Screw	1
18	10008050	定位板	Guide plate	1
19	10008049	针杆架轴套	Needle bar bush	2
20	10002163	螺钉M6×14	Screw	1
21	10005491	针杆上节	Needle bar uper	1
22	10005181	针杆锁紧圈	Needle bar clamp ring	1
23	10005209	螺钉M4×8	Screw	1
24	10001494	针夹头	Pin chuck	1
25	10005031	内卡圈	Inner retainer ring	2
26	10007194	轴承	Bearing	2
27	10004952	上边轴轴承套	Bearing bush	2
NOTE 注记		#2...FOR 9620	9620用	
		#7...FOR 9610, 9630	9610和9630用	



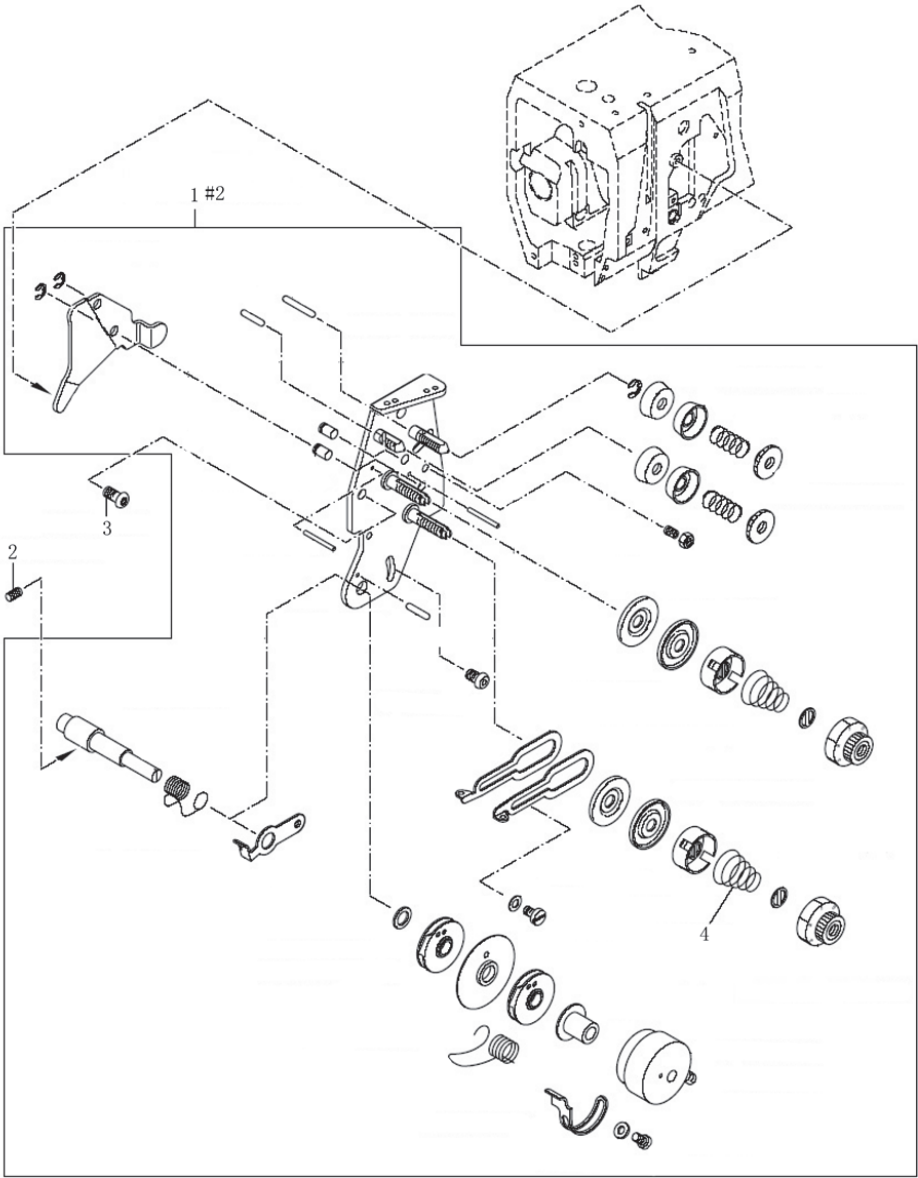
6 / B #7  
7 / C #7



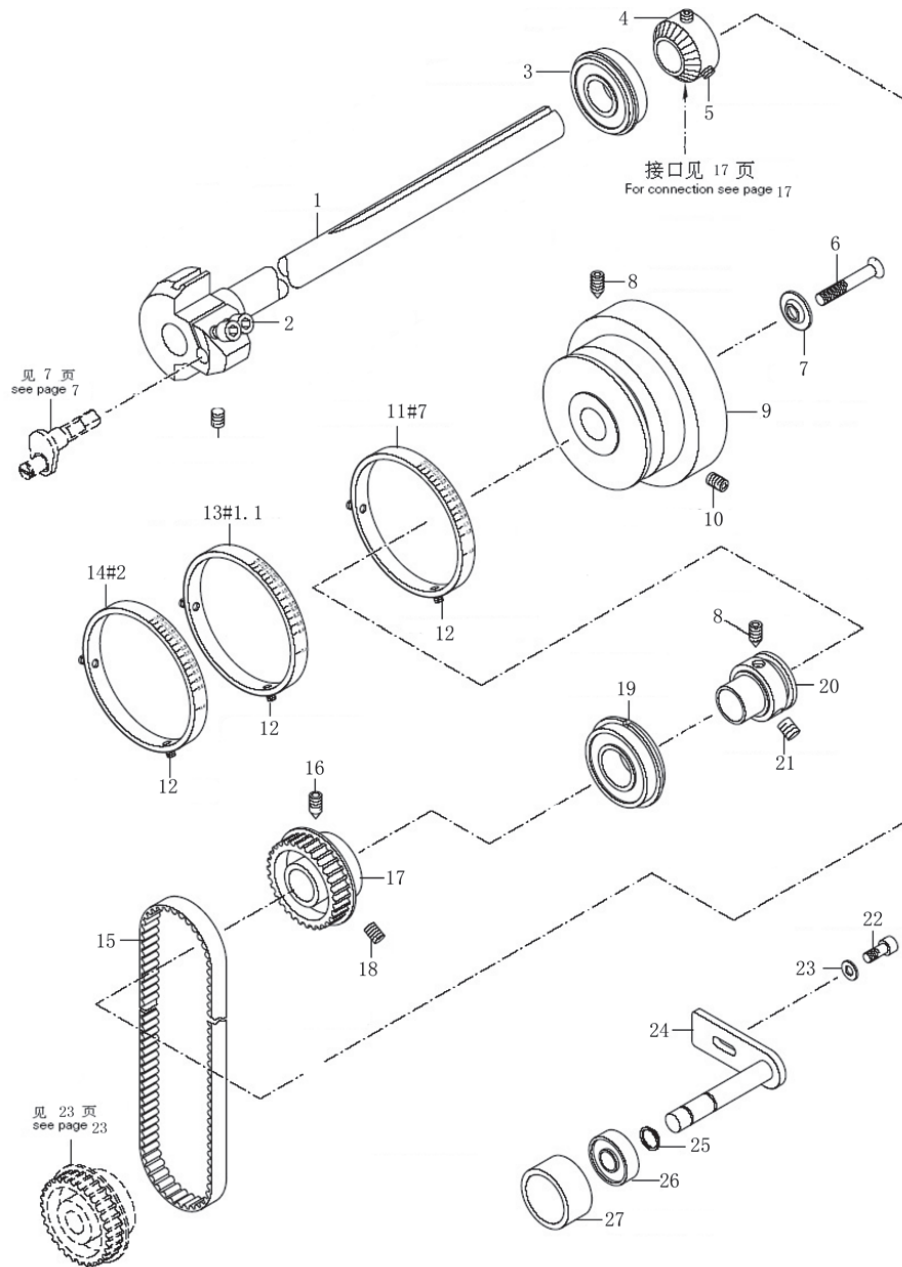
## 机头零件

## Needle head parts

序号 No.	件号 Pars No.	名称	Description	数量 Number
1	10005118	左右过线钩	Left and right wire hook	1
2	10007096	螺钉M5×10	Screw(M5×10)	3
3	10005148	过线勾 I	Wire hook I	1
4	10005244	垫圈	Washer	1
5	10005015	压板顶针	Clamp thimble	1
6	10005112	夹线器-薄料	conductor holder-Thin	1
7	10004080	夹线器-厚料	conductor holder-Thick	1
8	10004949	螺钉M5×8	Screw(M5×8)	1
9	10005014	夹线簧	Split line Spring	1
10	10005347	厚料夹线簧	Thick Split line Spring	1
NOTE 注记 #7...FOR 9610, 9630 9610和9630用				





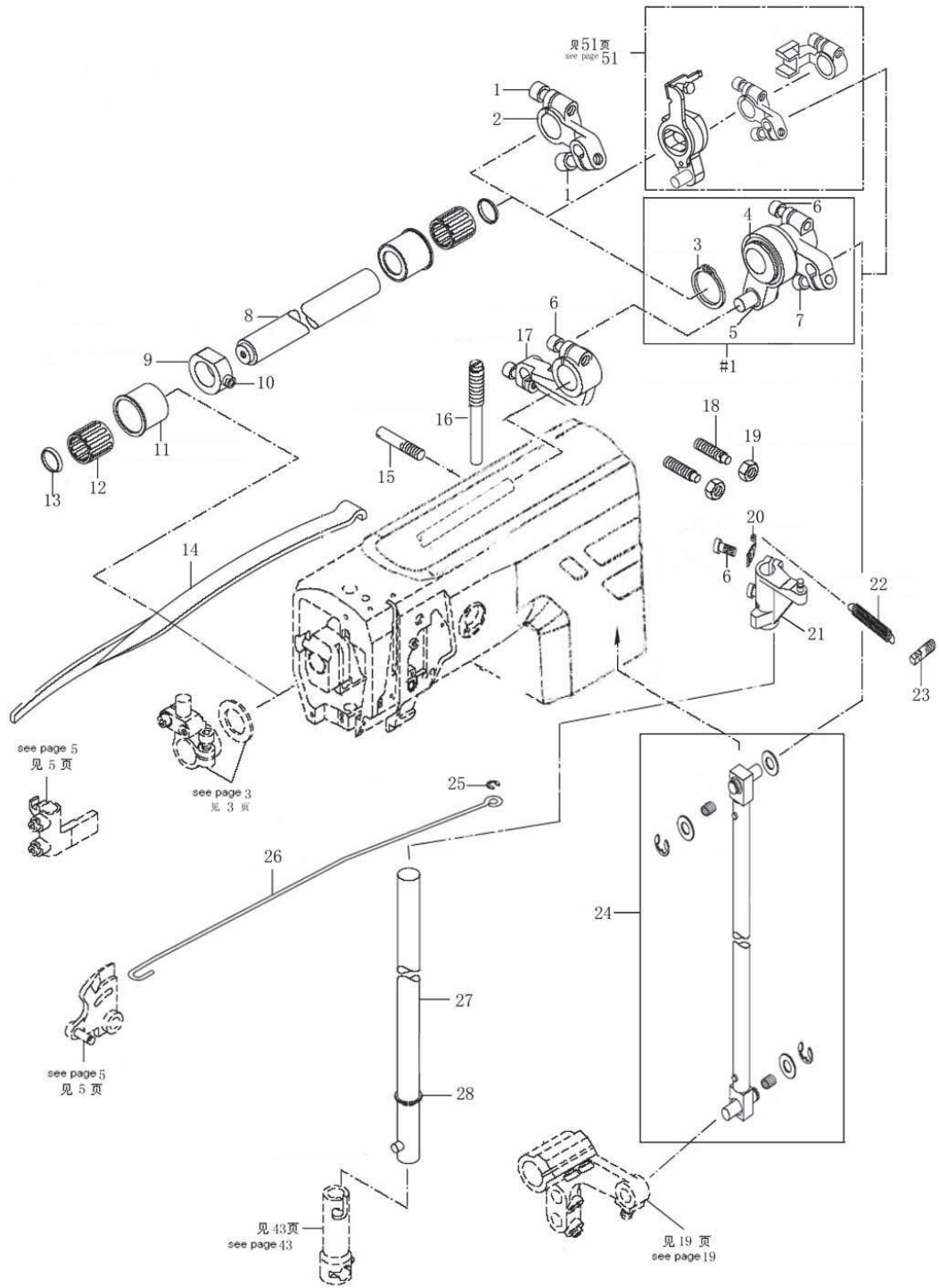


## 机臂零件

## Arm parts

序号 No.	件号 Pars No.	名称	Description	数量 Number
1	10005320	带曲柄主轴		1
2	10010953	内六角圆头螺栓M5×10	Screw(M5×10)	2
3	10003578	6204ZZNR轴承	6204ZZNR bearing	1
4	10005327	绕线主动轮	Pulley	1
5	10012160	螺钉	Screw(M5×5)	2
6	10005369	螺钉M6×35	Screw(M6×35)	1
7	10005237	上轮后盖圈	Fornt cover washer	1
8	10005196	螺钉M6×0.75×8	Screw(M6×0.75×8)	1
9	20003489	上轮	Uppper wheel	1
10	10005300	螺钉	Screw(M6×0.75×8)	1
11	20006757	调整圈喷漆	Regulating ring painting	1
12	10006279	螺钉	Screw(M4×2.8)	2
13	20006741	调整圈喷漆	Regulating ring painting	1
14	20006758	调整圈喷漆	Regulating ring painting	1
15	10005472	同步带	Synchronous belt	1
16	10011966	螺钉M6×8	Screw(M6×8)	1
17	10005480	主轴带轮	Spindle Pulley	1
18	10009187	螺钉M6×8	Screw(M6×8)	1
19	10025882	6004NR-2RS_BOM轴承	6004NR-2RS_BOM Bearing	1
20	10005305	主轴带轮轴承套	Spindle Pulley bearing bush	1
21	10005119	螺钉	Screw(M6×0.75×6)	1
22	10005139	螺钉	Screw(M5×12)	1
23	10005016	垫圈	Washer	1
24	10005508	皮带压紧器焊接件	Seal part	1
25	10004945	挡圈	Collar	1
26	10003576	6000ZZ轴承	6000ZZ Bering	1
27	10005396	皮带压紧器轴承套	Bearing knot	1
NOTE 注记				
	#1.1…FOR	9610-H	9610-H用	
	#2…FOR	9620	9620用	
	#7…FOR	9610, 9630	9610, 9630用	

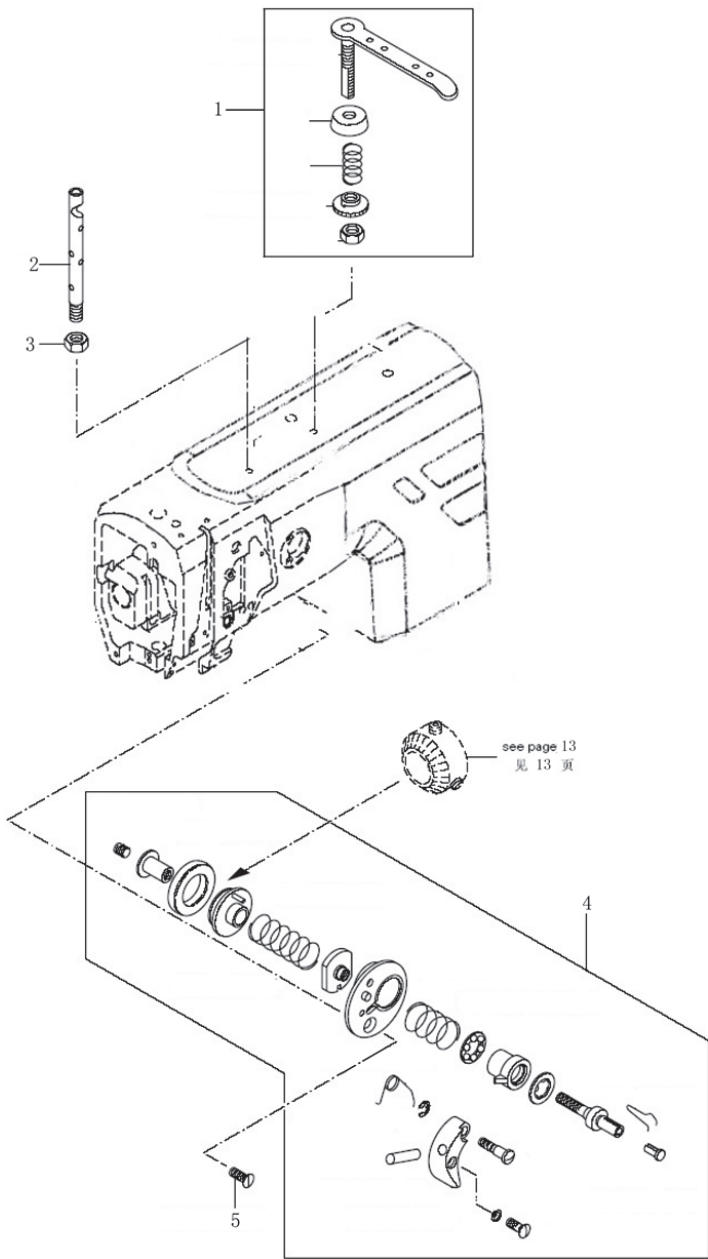




## 机臂零件

## Arm parts

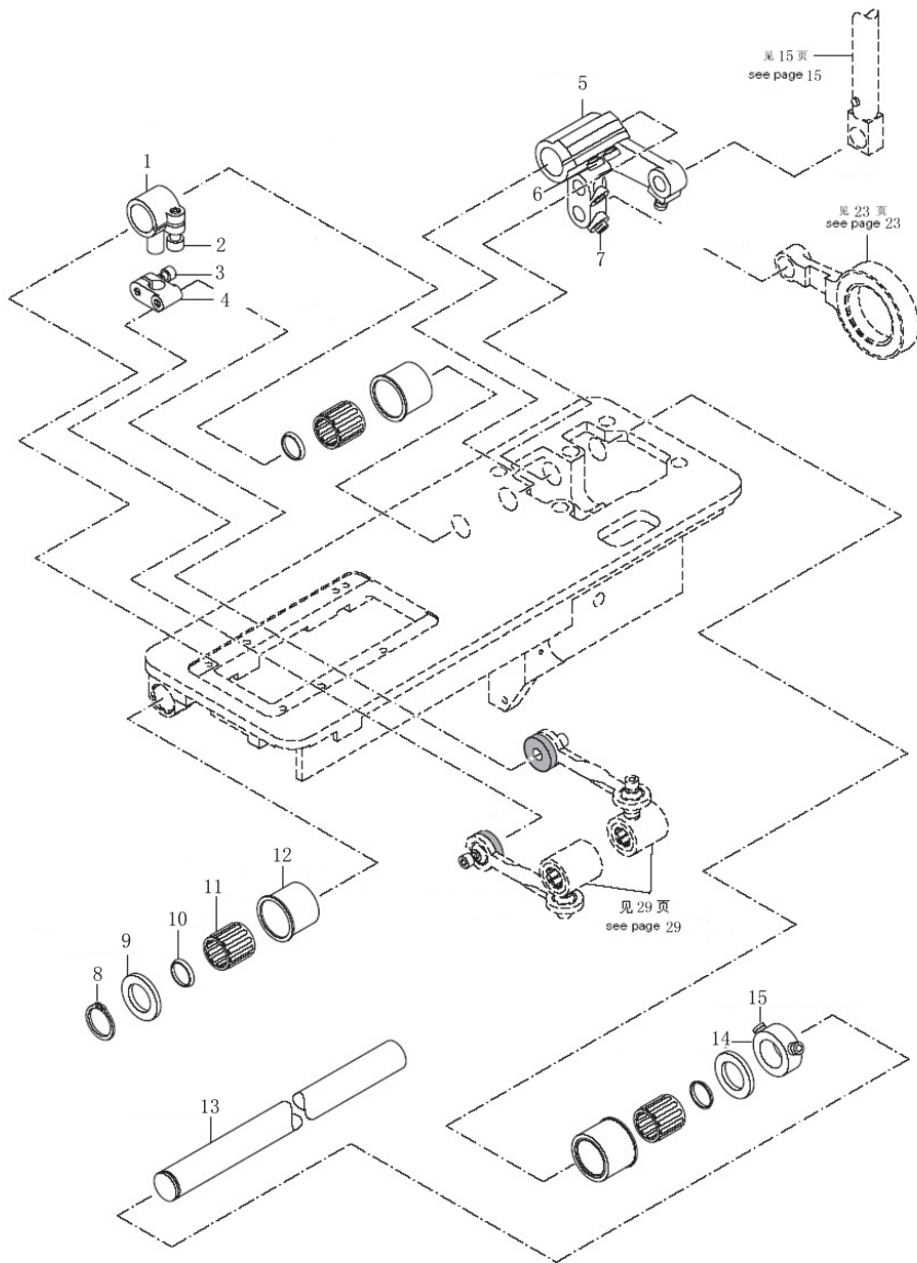
序号 No.	件号 Pars No.	名称	Description	数量 Number
1	10009008	螺钉M6×16	Screw(M6×16)	2
2	10001459	上边轴曲柄	Eccentric crank(uper bearing)	1
3	10005361	带偏心曲柄卡圈	Eccentric crank collar	1
4	10005483	曲柄连杆	Crank reciprocating rod	1
5	10005200	带偏心曲柄	Eccentric crank	1
6	10005139	螺钉M5×12	Screw(M5×12)	4
7	10012073	螺钉M5×16	Screw(M5×16)	1
8	10005111	上边轴组件	Top axis assembly	1
9	10005482	上边轴挡圈	Top axis collar	1
10	10005549	螺钉M6×5	Screw(M6×5)	1
11	10004952	上边轴轴承套	Top axis bearing bush	2
12	10007194	轴承K15×19×17	Bearing	2
13	10005031	内卡圈	Inner Collar	2
14	10004998	压紧杠杆	Compress lever	1
15	10005145	螺钉M6×7.2	Screw(M6×7.2)	1
16	10005509	螺钉M8×0.75×22.5	Screw(M8×0.75×22.5)	1
17	10005481	曲柄	Crank	1
18	10005001	螺钉M6×30	Screw(M6×30)	2
19	10005504	调节螺母M6	Adusting nut(M6)	2
20	10005287	弹簧固定板	Spring fixing plate	1
21	10005233	脚杆动轴曲柄组件	Crank	1
22	10005446	脚杆动轴曲柄拉簧	Spring	1
23	10005318	螺钉M6×8	Screw(M6×8)	1
24	10004980	竖边轴组件装配图	Shaft	1
25	10005078	挡圈GB 896-76 φ4	Collar	1
26	10005012	抬压脚拉杆	Presser foot rod	1
27	10006434	脚杆动轴组件	Moving axis assm.	1
28	10005345	挡圈 φ12	Collar	1
NOTE 注记 #1...FOR 9610 9610用				



## 机臂零件

## Arm parts

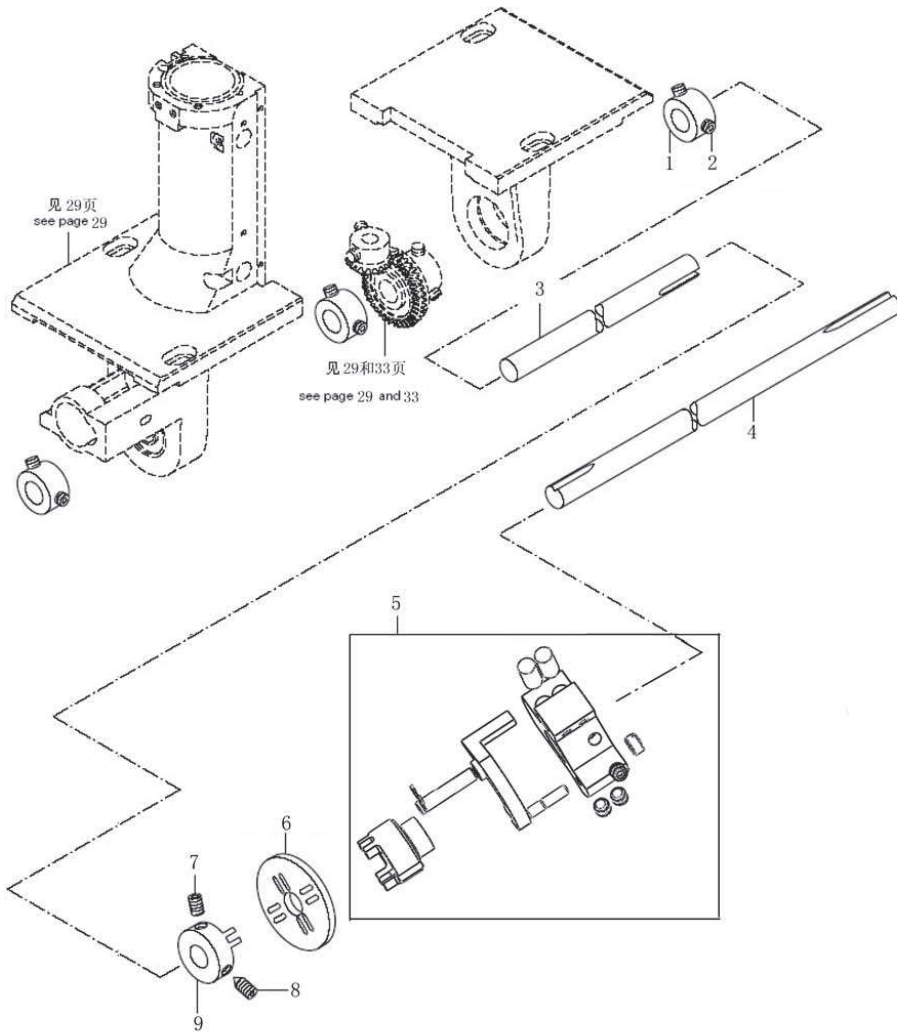
序号 No.	件号 Pars No.	名称	Description	数量 Number
1	10005108	过线器	Thread guide	1
2	10005384	过线柱	Thread crossing column	1
3	10005504	调节螺母M6	Adjusting nut M6	1
4	10005149	绕线器	Bobbin	1
5	10005459	螺钉M4×8	Screw (M4×8)	1



底板零件

Bedplate parts

序号 No.	件号 Pars No.	名称	Description	数量 Number
1	10005212	万向联接头	Universal coupling head	1
2	10010953	螺钉	Screw (M5×10)	1
3	10012752	带偏心曲柄卡圈	Screw (M4×10)	1
4	10005043	万向联接座	Universal base frame	1
5	10024835	输送支臂	Transport supporting arm	1
6	10005271	螺钉M5×12	Screw (M5×12)	2
7	10005549	螺钉M6×5	Screw (M6×5)	2
8	10005272	15挡圈	Collar	1
9	10005194	15输送主轴挡圈垫片	Washer	2
10	10005031	内卡圈	Inner collar	3
11	10007194	轴承K15×19×17	Bearing	3
12	10004952	上边轴轴承套	Bearing bush (Uper)	3
13	10005000	输送主轴	Transport Major Axis	1
14	10005477	15输送主轴挡圈	Collar	1
15	10005258	螺钉M6×0.75×5	Screw (M6×0.75×5)	1

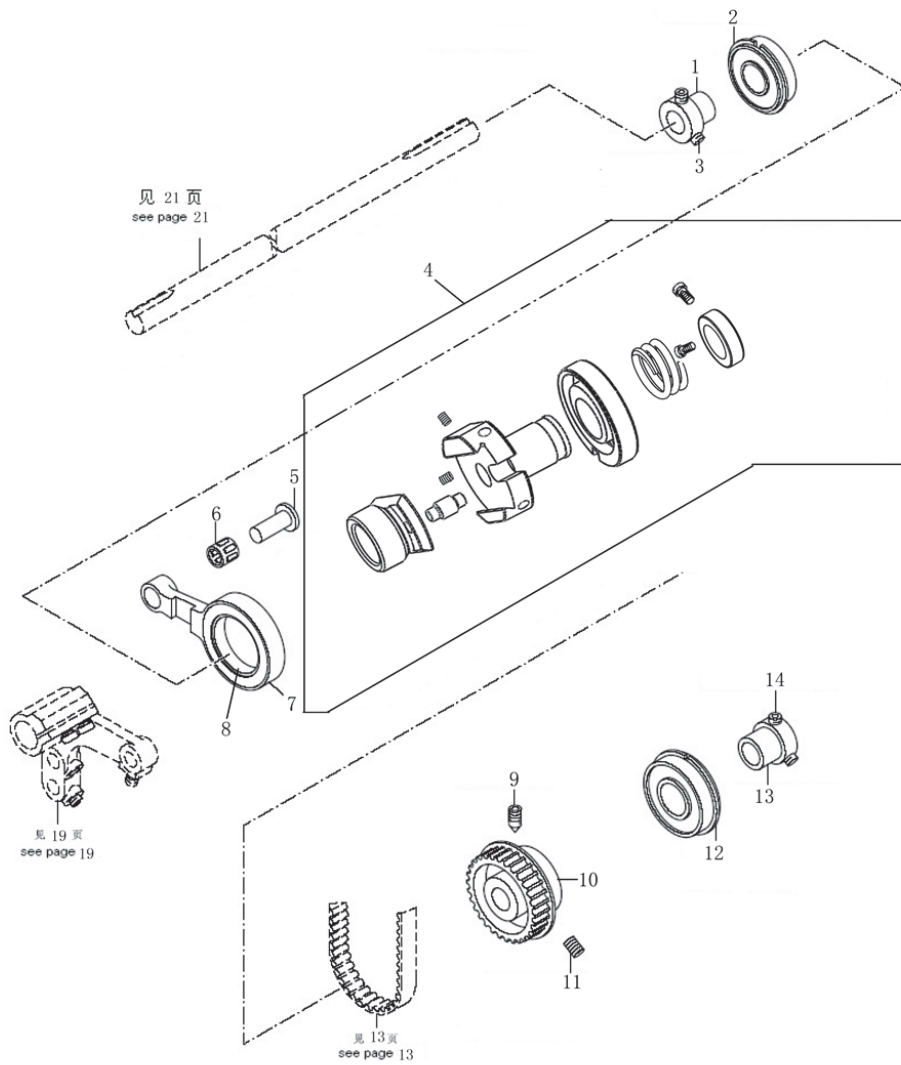


底板零件

Bedplate parts

序号 No.	件号 Pars No.	名称	Description	数量 Number
1	10005409	万向联接轴挡圈	Universal coupling spindle Collar	3
2	10012162	螺钉M5×5	Screw (M5×5)	2
3	10005123	万向联接轴	Universal coupling spindle	1
4	10005268	下轴	Bearing (down)	1
5	10024834	离合器部件	clutch clutch component	1
6	10024832	离合器连接板	Clutch gusset	1
7	10005300	螺钉M6×0.75×8	Screw (M6×0.75×8)	1
8	10005196	螺钉M6×0.75×8	Screw (M6×0.75×8)	1
9	10024833	离合器小连接	Clutch minor connector	1

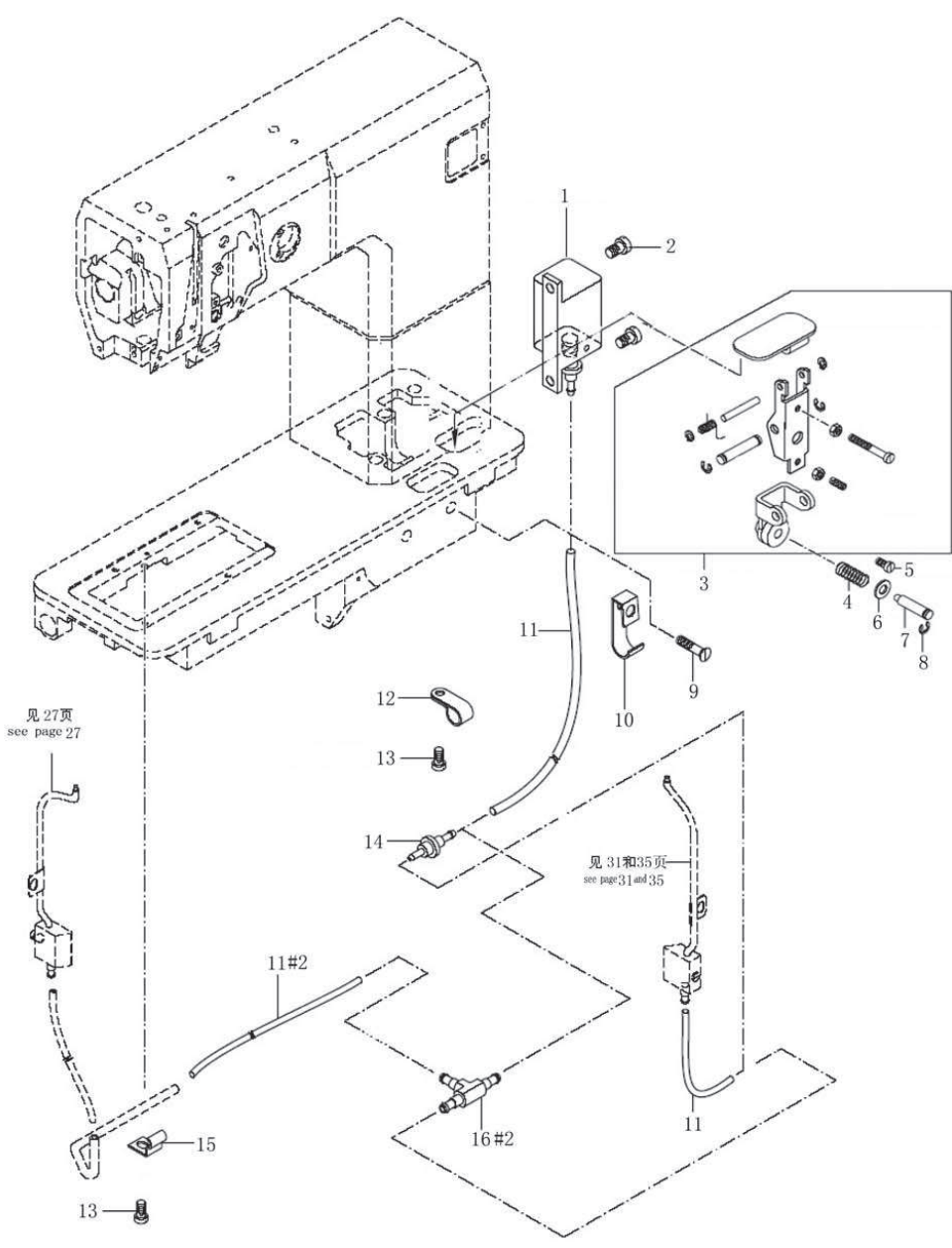




底板零件

Bedplate parts

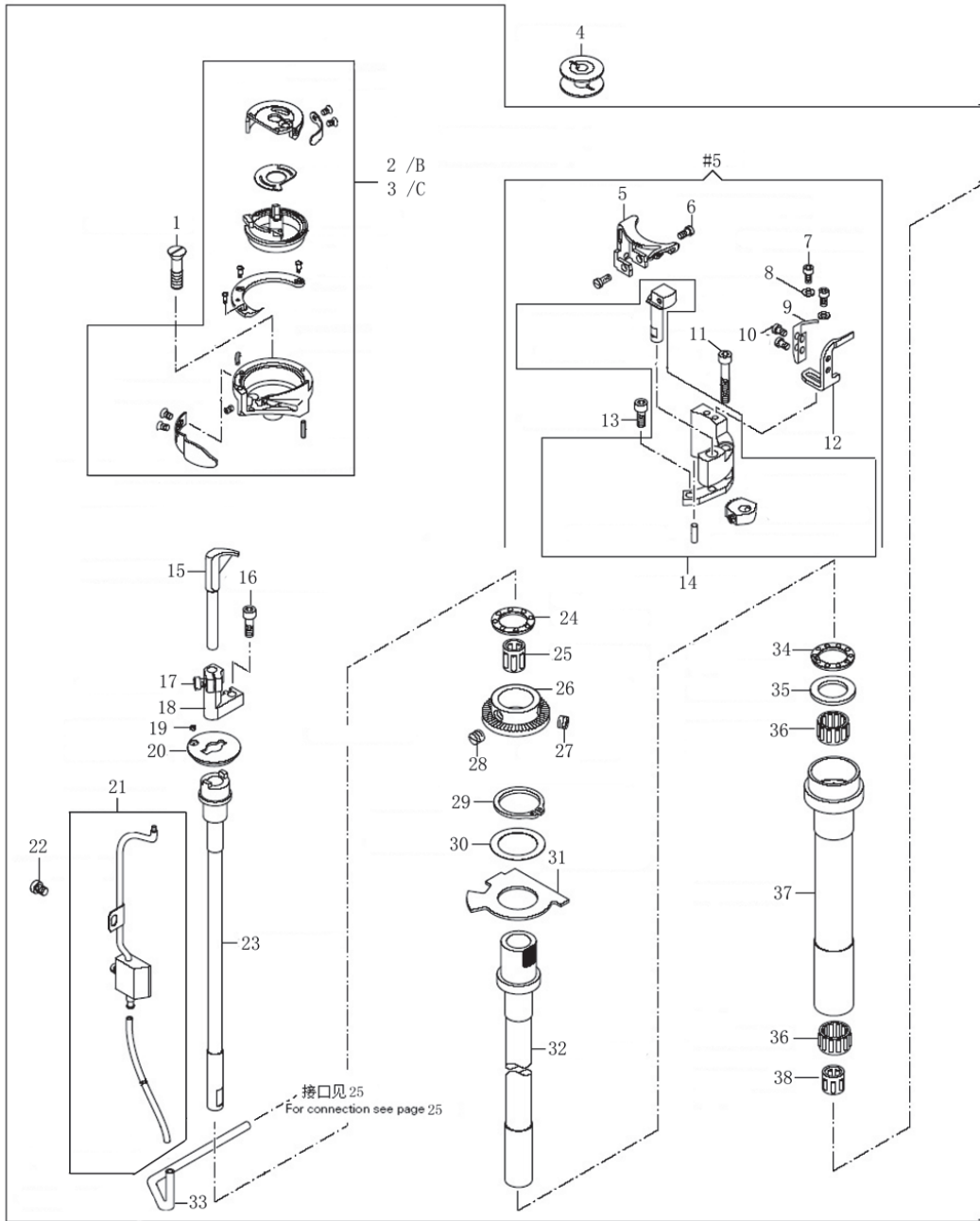
序号 No.	件号 Pars No.	名称	Description	数量 Number
1	10005105	轴承套	Bearing bush	1
2	10009787	6202ZZNR轴承	6202ZZNR Bearing	1
3	10005549	螺钉M6×5	Screw (M6×5)	2
4	10024829	针距调节器部件	Guage regulator component	1
5	10005047	针距调节连杆销	Guage adjusting pin	1
6	10007368	滚针轴承K8×11×10	Needle bearing	1
7	10005511	针距调节传动连杆	Guage adjusting reciprocating rod	1
8	10008113	6806ZZ轴承	6806ZZ bearing	1
9	10011966	M6×8螺钉	Screw (M6×8)	1
10	10005380	下轴带轮	axle pulley (down)	1
11	10009187	M6×8螺钉	Screw (M6×8)	1
12	10007152	6203ZZNR轴承	6203ZZNR Bearing	1
13	10005142	下轴轴承套	Bearing bush (down)	1
14	10005549	螺钉	Screw (M6×5)	1



底板零件

Bedplate parts

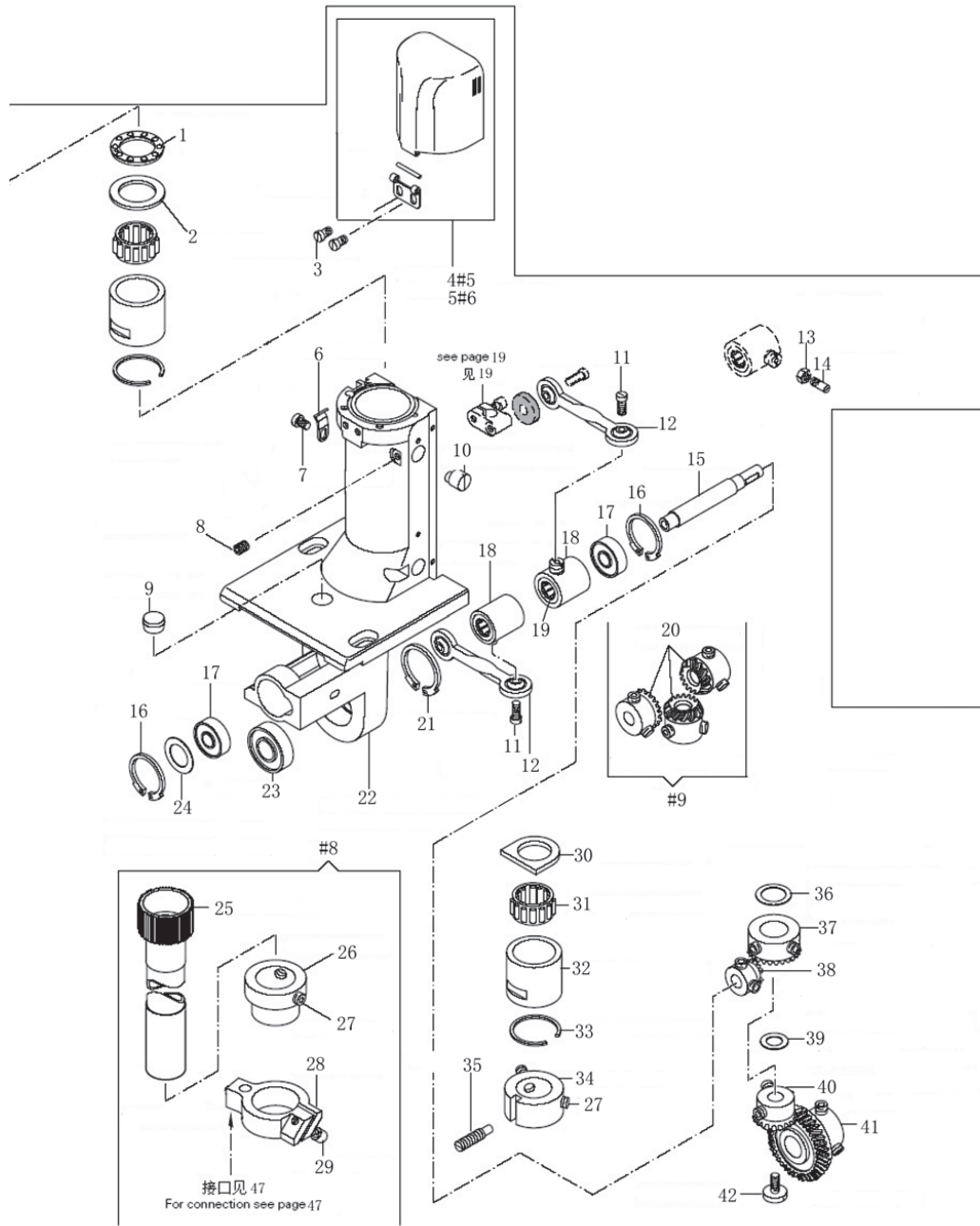
序号 No.	件号 Pars No.	名称	Description	数量 Number
1	10005291	小油箱组件	Minor oil box assembly	1
2	10005003	螺钉M5×8	Screw (M5×8)	2
3	10005507	针脚调节装置	Stitch adjusting assembly	1
4	10005251	摆动压簧	Swing Pressure spring	1
5	10005513	螺钉M4×8	Screw (M4×8)	1
6	10004979	垫圈 φ6	Washer	1
7	10025663	调节器体销轴	Adjustor pin roll	1
8	10005078	挡圈 GB 896-76 φ4	Collar	1
9	10005157	螺钉M4×20	Screw (M4×20)	1
10	10004973	油管夹	Oil pipe clip	1
11	10007800	φ3×φ5油管	φ3×φ5 oil pipe	1
12	10001546	电线夹	Cable clip	1
13	10005076	螺钉M4×5	Screw (M4×5)	2
14	10005311	油管接头	Oil pipe plug	1
15	10002150	油管夹板	Oil pipe plywood	1
16	10001535	T形接头	T-type plug	1
NOTE 注记 #2...FOR 9620 9620用				



旋梭左支座

Hook post,left

序号 No.	件号 Pars No.	名称	Description	数量 Number
1	10004984	螺钉M5×20	Screw (M5×20)	1
2	10005378	旋梭	Hook	1
3	10004081	旋梭-厚料	Hook-Thickness	1
4	10005461	梭心	Shuttle	1
5	10001519	勾线板	Hook thread plate	1
6	10005547	螺钉M3×6	Screw (M3×6)	2
7	10001513	螺钉M3×6	Screw (M3×6)	2
8	10002068	垫圈 φ3	Washer	2
9	10001609	剪线刀固定板	Thread trimmer ledger plate	1
10	10001512	螺钉M2.5×3	Screw (M2.5×3)	2
11	10001608	螺钉M4×25	Screw (M4×25)	1
12	10001518	剪线刀	Thread trimmer	1
13	10005041	M4×10内六角圆头螺栓	Screw (M4×10)	1
14	10001515	勾线板座部装图	Hook thread plate base	1
15	10005182	旋梭定位勾	Positioning finger	1
16	10005366	螺钉M4×12	Screw (M4×10)	1
17	10005204	螺钉M4×6	Screw (M4×6)	1
18	10005154	旋梭定位勾座	Positioning finger base	1
19	10004937	O形圈3×1	O-ring	1
20	10005360	旋梭端盖	Hook end plate	1
21	10005394	油量调节组成	oil mass adjusting assembly	1
22	10005076	螺钉M4×5	Screw (M4×5)	1
23	10005245	旋梭传动芯轴	Hook transmission mandrel	1
24	10005346	小端面轴承	Minor Edge bearing	1
25	10007374	滚针轴承K8×11×13	Needle roller bearing	1
26	10001555	送料转盘	Feeding Swive	1
27	10001538	M6×0.75×3送料转盘螺钉 I	Screw (M6×0.75×3)	1
28	10001559	M6×.075×5送料转盘螺钉	Screw (M6×0.75×5)	1
29	10003346	19挡圈	Collar	1
30	10001425	旋梭护片垫圈	Hook bluff bit washer	1
31	10001611	旋梭护片	Hook bluff bit	1
32	10005245	旋梭传动芯轴	Hook transmission mandrel	1
33	10002151	铜油管	Brass oil pipe	1
34	10001556	574端面轴承	574 edge bearing	1
35	10001560	574端面轴承垫圈	574 edge bearing washer	1
36	10007759	滚针轴承K14×17×10	Needle bearing	2
37	10001557	574旋梭传动轴	574 hook transmission bearing	1
38	10007368	滚针轴承K8×11×10	Needle bearing	1
NOTE 注记 #5...FOR 9610-D,9620-D 9610-D和9620-D用				

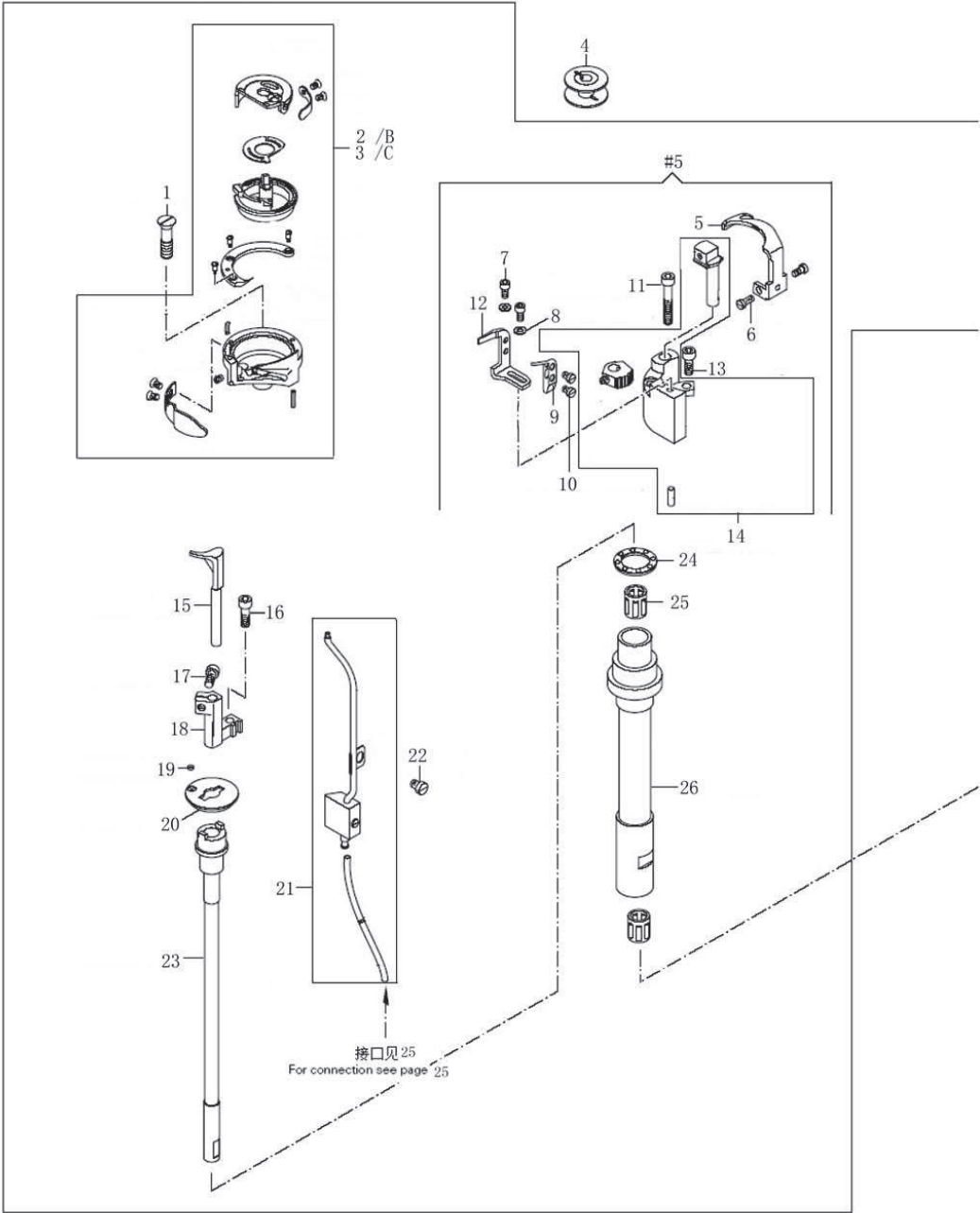


旋梭左支座

Hook post,left

序号 No.	件号 Pars No.	名称	Description	数量 Number
1	10005398	端面轴承	Edge bearing	1
2	10005052	21垫圈	Washer	1
3	10005513	螺钉M4×8	Screw (M4×8)	2
4	10005373	旋梭护罩组件	Hook shield components	1
5	10001417	旋梭防护罩组件	Hook shield components	1
6	10004999	弹簧板	Spring Board	1
7	10005309	螺钉M4×6	Screw (M4×6)	1
8	10009741	螺钉M4×6	Screw (M4×6)	2
9	10005407	油塞	Piston	1
10	10005215	偏心销	Eccentric pin	2
11	10005405	螺钉M4×9	Screw (M4×9)	2
12	10004940	连杆组件	Connecting Rod Component	2
13	10003027	螺母M4	nut M4	1
14	10001563	螺钉M4×4.8	Screw (M4×4.8)	1
15	10005540	轴	Bearing	1
16	10005432	挡圈 φ22	Collar	2
17	10005137	轴承8×22×7	Bearing	2
18	10005454	轴承座	Bearing seat	2
19	10005286	滚轮联接轴轴承	Track roller coupling spindle bearing	2
20	10007069	574倒缝齿轮 II 组件	574 reverse gear II asm	2
21	10005029	挡圈 φ28	Collar	1
22	20003967	旋梭体左支座	Hook left support saddle	1
23	10005231	轴承12×28×8	Bearing	1
24	10005109	调整垫片 φ14	Adjusting washer	1
25	10008234	574旋梭传动轴 I	574 Hook Drive Shaft I	1
26	10001887	旋梭传动轴挡圈	Hook Drive Shaft Collar	1
27	10005549	螺钉M6×5	Screw (M6×5)	4
28	10001426	574旋梭传动曲柄	574 Hook driving crank	1
29	10005041	内六角圆头螺栓M4×10	Screw (M4×10)	1
30	10005177	油毡	Treated felt	1
31	10007377	轴承K20×24×13	Bearing	2
32	10005259	旋梭传动轴轴套	Hook Drive Shaft bearing bush	1
33	10005383	挡圈	Collar	2
34	10005462	旋梭传动轴挡	Hook transmission shaft	1
35	10004987	螺钉M6×25	Screw (M6×25)	1
36	10007789	垫圈 φ14	Washer	1
37	10008115	574送料齿轮 II 组件	574 feeding gear II component	1
38	10007973	574送料齿轮 I 组件	574 feeding gear I component	1
39	10007755	调整垫圈 φ8	Adjusting washer	1
40	10006298	传动旋梭齿轮 II 组件	Transmission hook gear II component	1
41	10006297	传动旋梭齿轮 I 组件	Transmission hook gear I component	1
42	10001562	螺钉M4×10	Screw (M4×10)	1
NOTE 注记		#5...FOR 9610-D, 9620-D	9610-D和9620-D用	
		#6...FOR 9610-D3, 9620-D3	9610-D3和9620-D3用	

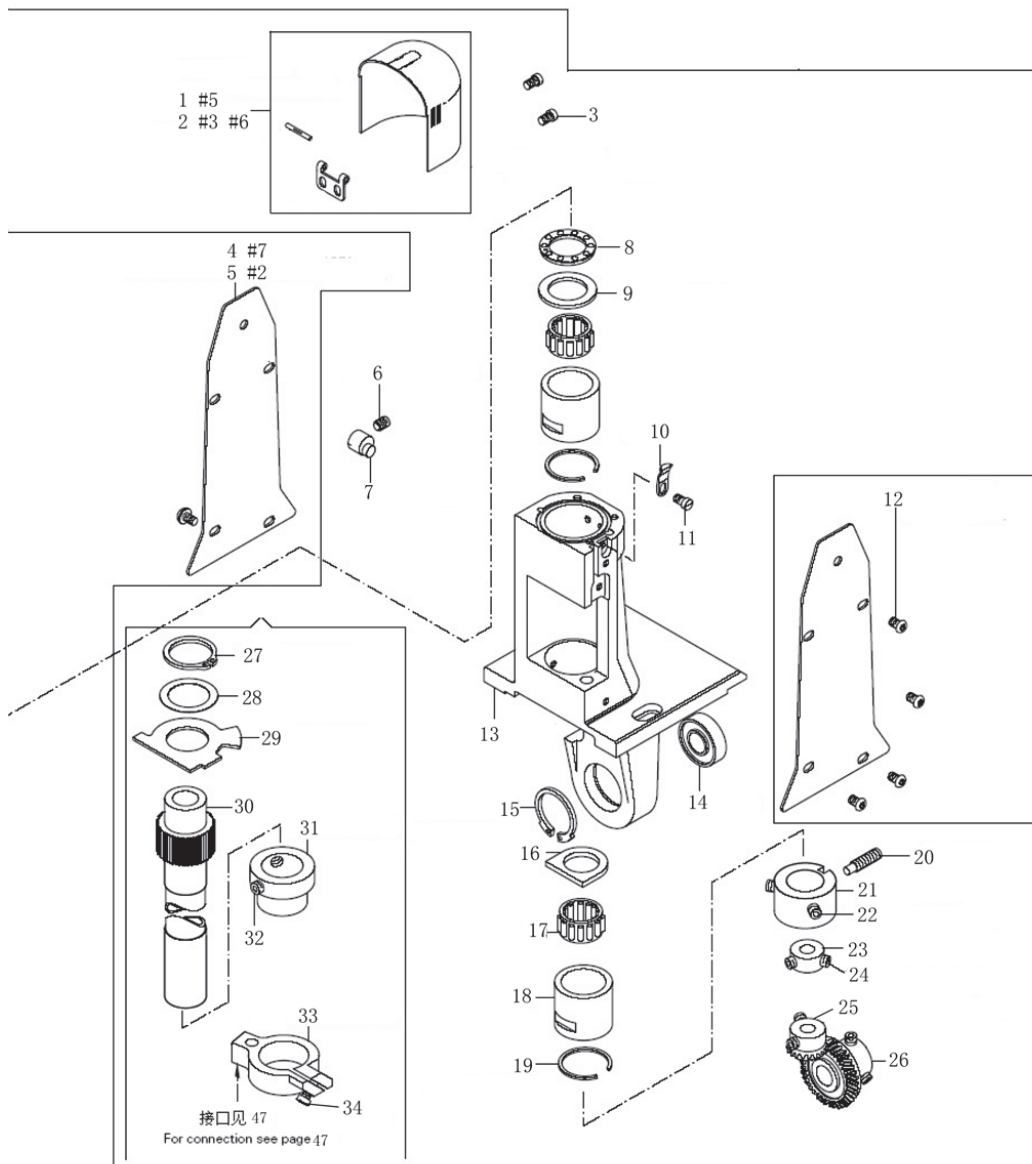




旋梭右支座

Hook post,right

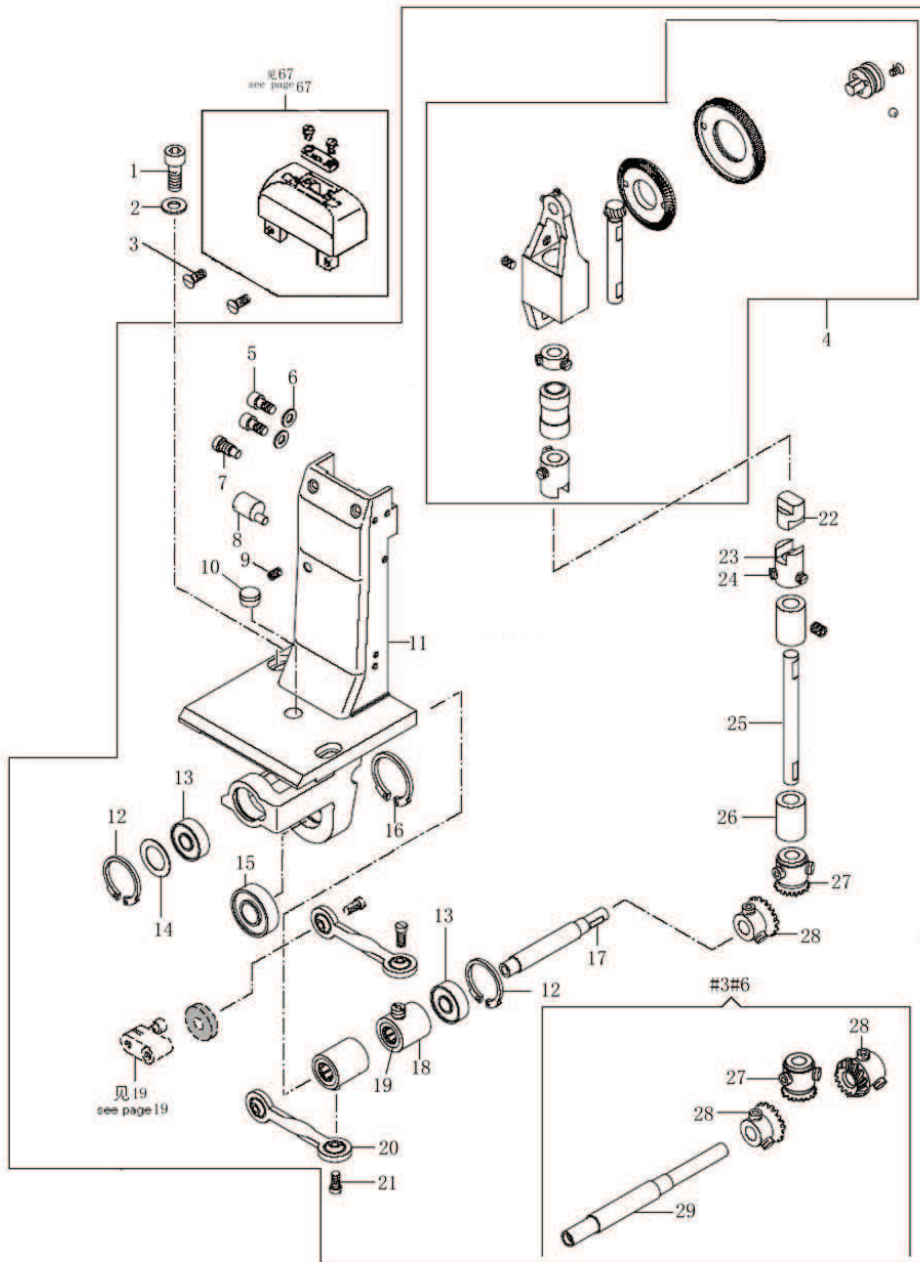
序号 No.	件号 Pars No.	名称	Description	数量 Number
1	10004984	螺钉M5×20	Screw (M5×20)	1
2	10005378	旋梭	Hook	1
3	10004081	旋梭-厚料	Hook-Thickness	1
4	10005461	梭心	Shuttle	1
5	10001519	勾线板	Hook thread plate	1
6	10005547	螺钉M3×6	Screw (M3×6)	2
7	10001513	螺钉M3×6	Screw (M3×6)	2
8	10002068	垫圈 φ3	Washer	2
9	10001609	剪线刀固定板	Thread trimmer ledger plate	1
10	10001512	螺钉M2.5×3	Screw (M2.5×3)	2
11	10001608	螺钉M4×25	Screw (M4×25)	1
12	10001518	剪线刀	Thread trimmer	1
13	10005041	内六角圆头螺栓M4×10	Screw	1
14	10001515	勾线板座部装图	Hook thread plate base	1
15	10005182	旋梭定位勾	Positioning finger	1
16	10005366	螺钉M4×12	Screw (M4×10)	1
17	10005204	螺钉M4×6	Screw (M4×6)	1
18	10005154	旋梭定位勾座	Positioning finger base	1
19	10004937	O形圈3×1	O-ring	1
20	10005360	旋梭端盖	Hook end plate	1
21	10005394	油量调节组成	Oil mass adjusting assembly	1
22	10005076	螺钉M4×5	Screw (M4×5)	1
23	10005245	旋梭传动芯轴	Hook transmission mandrel	1
24	10005346	小端面轴承	Minor Edge bearing	1
25	10007374	滚针轴承K8×11×13	Needle bearing	2
26	10005382	旋梭传动轴	Hook transmission bearing	1
NOTE 注记 #5...FOR 9610-D, 9620-D 9610-D和9620-D用				



旋梭右支座

Hook post,right

序号 No.	件号 Pars No.	名称	Description	数量 Number
1	10005373	旋梭护罩组件	Hook shield components	1
2	10001417	旋梭防护罩组件	Hook Force shield components	1
3	10005513	螺钉M4×8	Screw (M4×8)	2
4	20003490	侧盖板I	Shroud Head I	2
5	20003965	侧盖板	Shroud Head	2
6	10009741	螺钉M4×6	Screw (M4×6)	2
7	10005215	偏心销	Eccentric pin	2
8	10005398	端面轴承	Edge bearing	1
9	10005052	垫圈 φ21	Washer	1
10	10004999	弹簧板	Spring board	1
11	10005309	螺钉M4×6	Screw (M4×6)	1
12	10005107	螺钉M4×6	Screw (M4×6)	10
13	20003491	旋梭支座喷漆	Hook support saddle	1
14	10005231	轴承12×28×8	Bearing	1
15	10005029	挡圈 φ28	Collar	1
16	10005177	油毡	Linoleum	1
17	10007377	轴承K20×24×13	Bearing	2
18	10005259	旋梭传动轴轴套	Hook transmission bearing bush	2
19	10005383	挡圈	Collar	2
20	10004987	螺钉M6×25	Screw (M6×25)	1
21	10005462	旋梭传动轴挡圈 φ20	Hook transmission bearing collar	1
22	10005549	螺钉M6×5	Screw (M6×5)	2
23	10005413	旋梭传动芯轴挡圈	Hook transmission mandrel collar	1
24	10005502	螺钉M6×0.75×4.5	Screw (M6×0.75×4.5)	2
25	10006298	传动旋梭齿轮 II 组件	Hook transmission gear II components	1
26	10006297	传动旋梭齿轮 I 组件	Hook transmission gear I components	1
27	10001416	旋梭护片卡圈	Hook bluff bit Collar	1
28	10001415	旋梭护片垫圈	Hook bluff bit washer	1
29	10001611	旋梭护片	Hook bluff bit	1
30	10001418	旋梭传动轴	Hook transmission bearing	1
31	10001887	旋梭传动轴挡圈	Hook transmission bearing collar	1
32	10005549	螺钉	Screw (M6×5)	1
33	10002106	旋梭传动曲柄M6×5	Hook transmission crank	1
34	10005041	内六角圆头螺栓M4×10	Screw (M4×10)	1
	NOTE 注记	#2...FOR 9620 #3...FOR 9630 #5...FOR 9610-D, 9620-D #6...FOR 9610-D3, 9620-D3 #7...FOR 9610, 9630	9620用 9630用 9610-D和9620-D用 9610-D3和9620-D3用 9610和9630用	

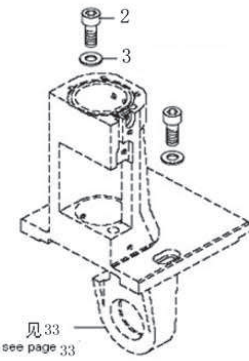
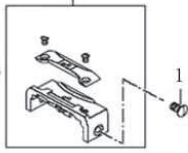


## 送料左支座

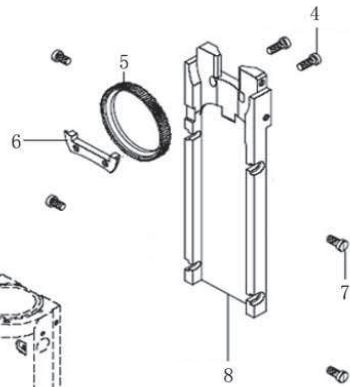
## Feed wheel post,left

序号 No.	件号 Pars No.	名称	Description	数量 Number
1	10004985	螺钉M6×16	Screw(M6×16)	2
2	10005550	垫圈 φ6	Washer	2
3	10005459	螺钉M4×8	Screw(M4×8)	2
4	10005376	送料机构组件	Feeding mechanism components	1
5	10005139	螺钉M5×12	Screw(M5×12)	2
6	10005260	垫圈 φ4	Washer	2
7	10004978	螺钉M6×8	Screw(M6×8)	1
8	10005257	偏心销	Eccentric pin	1
9	10009741	螺钉M4×6	Screw(M4×6)	1
10	10005407	油塞	oil plug	1
11	20004051	送料支座喷漆	Feeding support saddle	1
12	10005432	挡圈 φ22	Collar	2
13	10005137	轴承8×22×7	Bearing	2
14	10005109	调整垫片 φ14	Adjusting washer	1
15	10005231	轴承12×28×8	Bearing	1
16	10005029	挡圈 φ28	Collar	1
17	10005540	轴	Bearing	1
18	10005454	轴承座	Bearing seat	2
19	10005286	滚轮联接轴轴承	Bobbin coupling spindle bearing	2
20	10004940	连杆组件	Reciprocating rod components	2
21	10005405	螺钉M4×9	Screw(M4×9)	2
22	10005084	联接块	Joint block	1
23	10005236	联接衬套	Joint bush	1
24	10012162	螺钉M5×5	Screw(M5×5)	2
25	10005402	送料传动轴	Feeding transmission bearing	1
26	10005431	套	Set	1
27	10007907	送料机构齿轮Ⅱ组件	Feeding mechanism gear II components	1
28	10007879	送料机构齿轮Ⅰ组	Feeding mechanism gear I components	1
29	10001485	倒缝齿轮轴	Gear shaft	1
NOTE 注记		#3...FOR 9630	9630用	
		#...FOR 9610-D3, 9620-D3	9610-D3和9620-D3用	

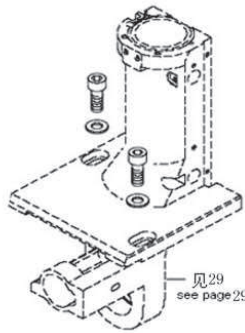
见 67  
see page 67



见 33  
see page 33



见 29  
see page 29

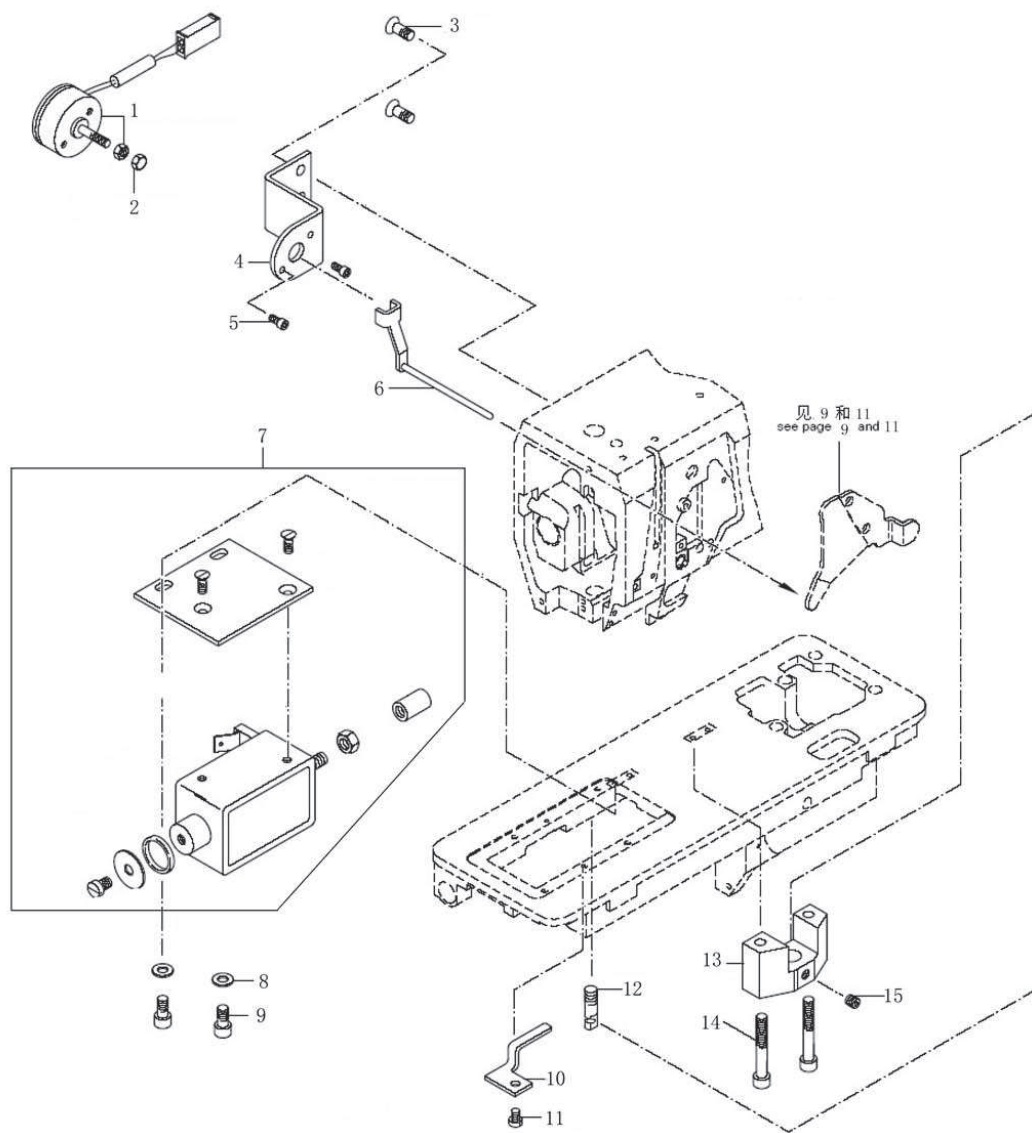


## 送料轮托板

## Feed wheel mounting plate

序号 No.	件号 Pars No.	名称	Description	数量 Number
1	10002545	螺钉M4×6	Screw (M4×6)	2
2	10004985	螺钉M6×16	Screw (M6×16)	4
3	10005550	垫圈 φ6	Washer	4
4	10001580	螺钉M4×10	Screw (M4×10)	2
5	10001581	送料轮	Drawing-enroller	1
6	10001579	送料轮调整块	Drawing-enroller adjusting block	1
7	10005513	螺钉M4×8	Screw (M4×8)	4
8	10001388	针板罩座	Cover seat	1

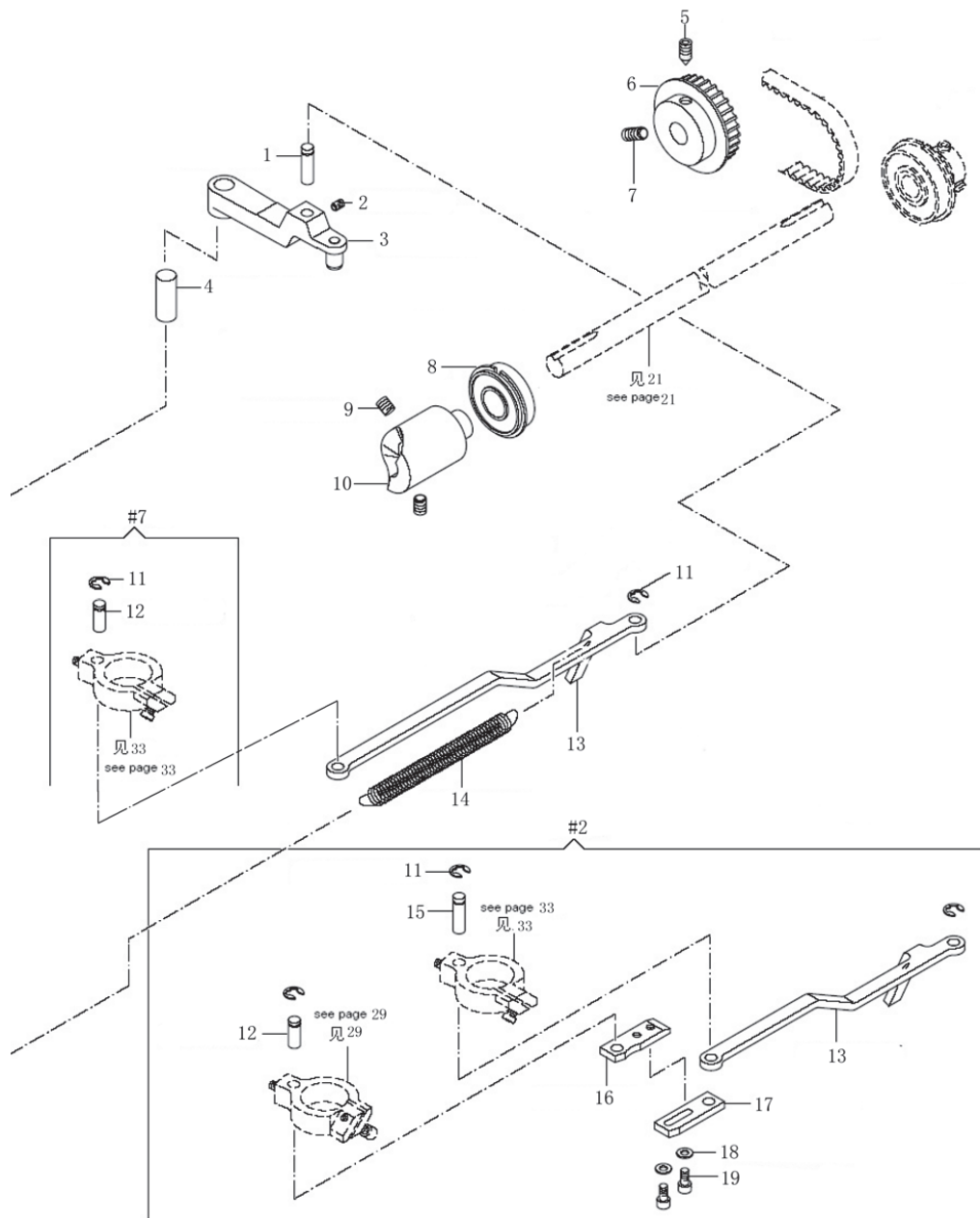




## 剪线器

## Thread trimmer

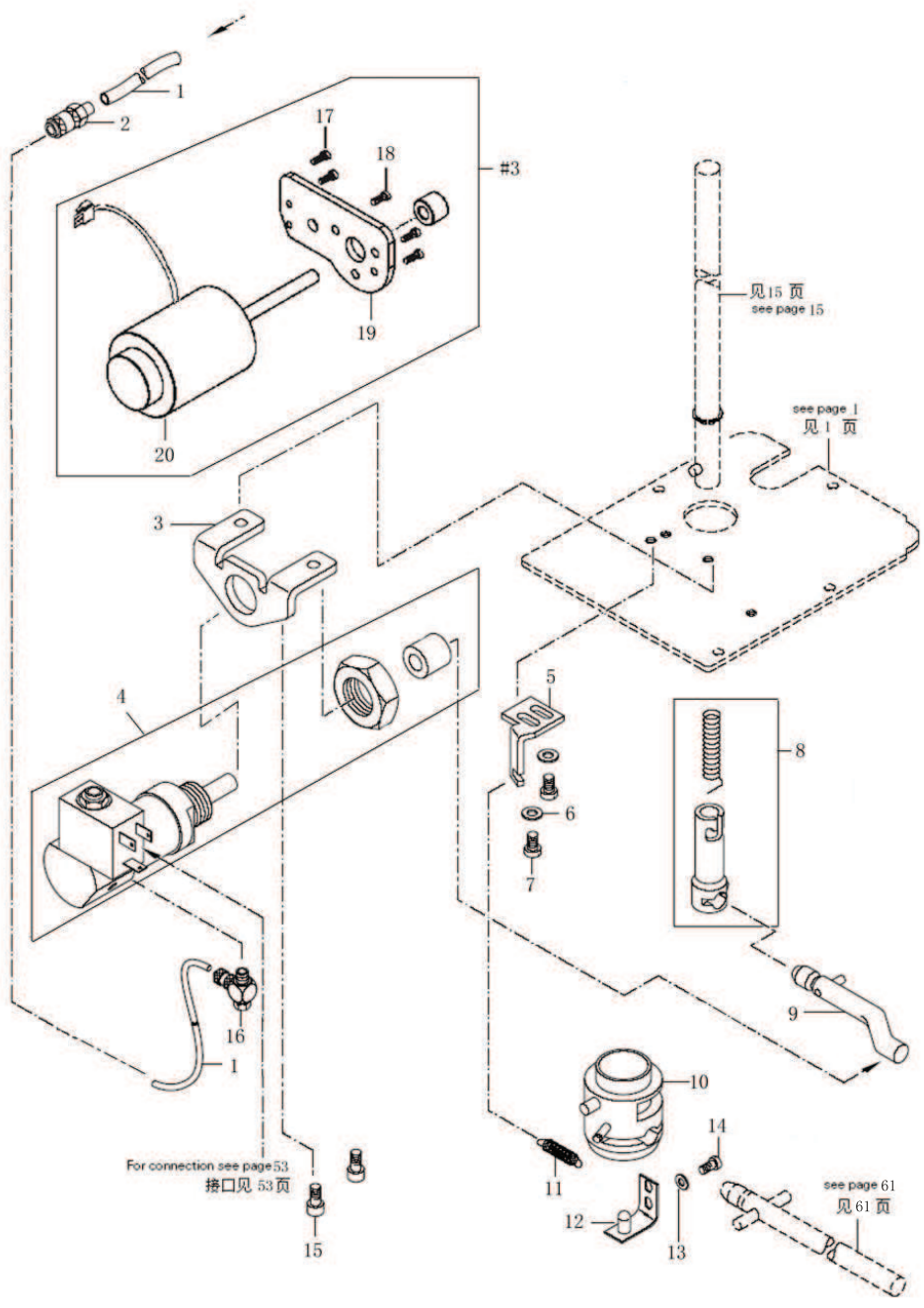
序号 No.	件号 Pars No.	名称	Description	数量 Number
1	10001510	挺线电磁铁	Electromagnet	1
2	10001511	挺线电磁铁帽M4	E-magnet cap	1
3	10001948	螺钉M5×10	Screw (M5×10)	2
4	10001506	挺线电磁铁安装板	Install plate	1
5	10002129	螺钉M3×5	Screw (M3×5)	2
6	10001657	电磁铁挺线钉	Screw	1
7	10006402	剪线电磁铁整组	Trimmer e-magnet asm	1
8	10005016	垫圈 φ 5	Washer	2
9	10005490	内六角圆头螺栓	Screw (M5×10)	2
10	10001508	油线挡板	Protecting plate	1
11	10005076	螺钉M4×5	Screw (M4×5)	1
12	10005318	螺钉M6×8	Screw (M6×8)	1
13	10002142	剪线摆动杆座	Waving bar holder	1
14	10001497	螺钉M5×30	Screw (M5×30)	2
15	10012162	螺钉	Screw (M5×5)	1



## 剪线器

## Thead trimmer

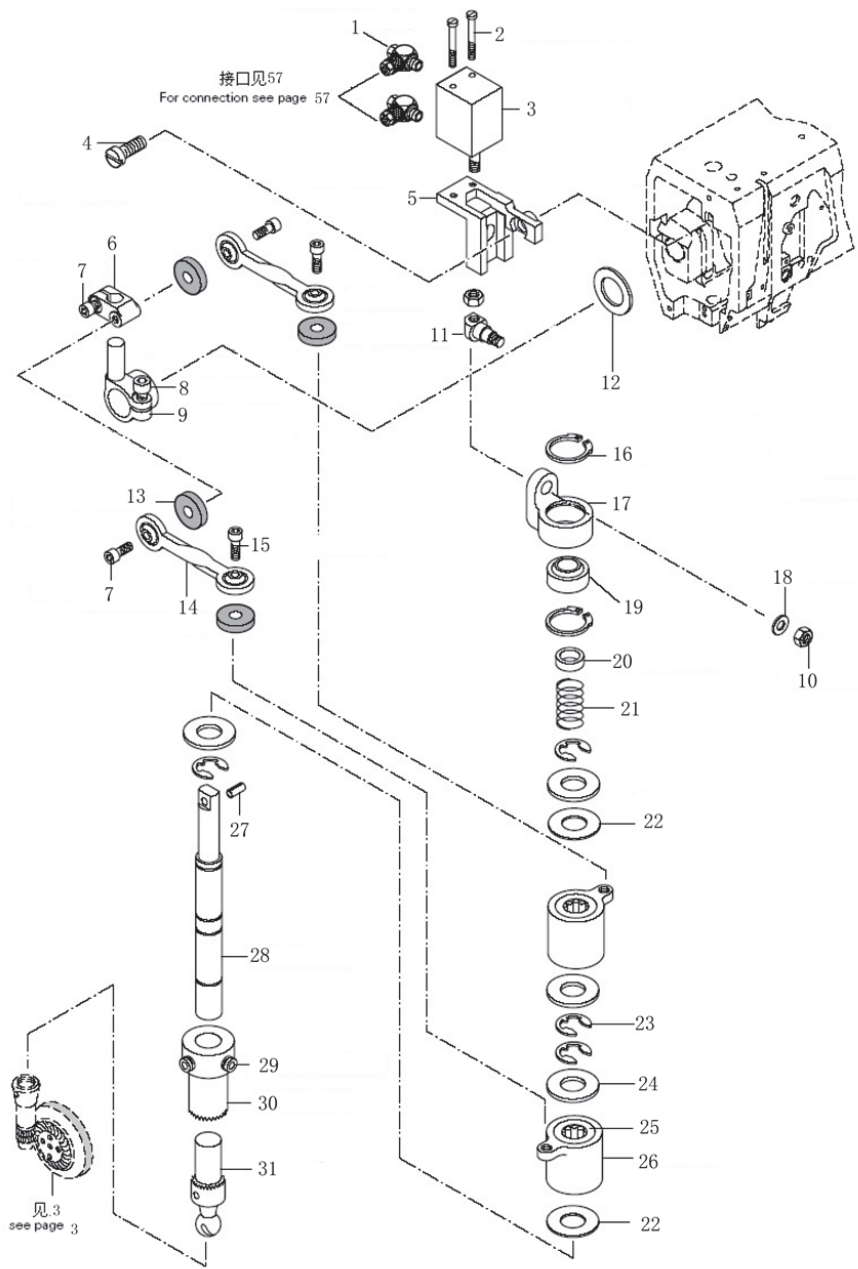
序号 No.	件号 Pars No.	名称	Description	数量 Number
1	10001501	剪线摆动杆销	Trimming swing lever pin	1
2	10012162	螺钉M5×5	Screw(M5×5)	1
3	10001503	剪线摆动杆组件	Trimming oscillating rod components	1
4	10001498	剪线摆动杆座销 φ10×32	Trimming oscillating rod seat pin	1
5	10011966	螺钉M6×8	Screw(M6×8)	1
6	10005380	下轴带轮	Stepping wheel	1
7	10009187	螺钉M6×8	Screw(M6×8)	1
8	10005365	轴承20×47×14	Bearing	1
9	10004938	螺钉M6×0.75×8	Screw(M6×0.75×8)	2
10	10001509	下轴剪线凸轮	Cam	1
11	10001947	剪线摆动杆销卡圈 φ6	Collar	3
12	10001505	剪线摆动销	Trimming swing pin	2
13	10001504	剪线摆拉杆	Trimming oscillating rod	1
14	10001946	剪线摆动拉杆弹	Trimming swing lever spring	1
15	10001501	剪线摆动杆销	Trimming oscillating rod pin	1
16	10002201	剪线摆动拉杆连接板 II	Trimming swing tie bar Connecting Link II	1
17	10001722	剪线摆动拉杆连接板 I	Trimming swing tie bar Connecting Link I	1
18	10005260	垫圈 φ4	Washer	1
19	10005350	螺钉M4×8	Screw(M4×8)	1
NOTE 注记				
	#2...FOR	9620	9620用	
	#7...FOR	9610, 9630	9610和9630用	



自动抬压脚

Automatic presser foot lifter

序号 No.	件号 Pars No.	名称	Description	数量 Number
1	10007782	φ4×φ6气管	φ4×φ6 windpipe	1
2	10001455	快插联接头 I	Tip union I	1
3	10001488	抬压脚气缸定位板	Presser Foot Lift cylinder strongback	1
4	10006358	抬压脚气缸组件	Presser Foot Lift cylinder components	1
5	10001489	操纵顶柱复位板	Control shore components Reset board	1
6	10005260	垫圈 φ4	Washer	2
7	10005003	螺钉M5×8	Screw (M5×8)	2
8	10005514	操纵顶柱组件	Control shore components	1
9	10002145	操纵弯杆组件	Control knee components	1
10	10001453	脚膝抬压脚操作顶柱组件	Top roll asm	1
11	10002144	复位弹簧	Offsetting spring	1
12	10001450	操纵弯杆挡片组件	Control knee separation blade components	1
13	10003324	垫圈 φ6	Washer	2
14	10005204	螺钉M4×6	Screw (M4×6)	2
15	10010953	螺钉M5×10	Screw (M5×10)	2
16	10001950	气缸接头组件	Cylinder connector components	1
17	10002028	螺钉M6×20	Screw (M6×20)	1
18	10005122	螺钉M6×10	Screw (M6×10)	3
19	10001802	中间板	Intermediate plate	1
20	10001803	抬压脚电磁铁	Presser Foot Lift electromagnet	1
NOTE 注记 #3...FOR 9630 9630用				

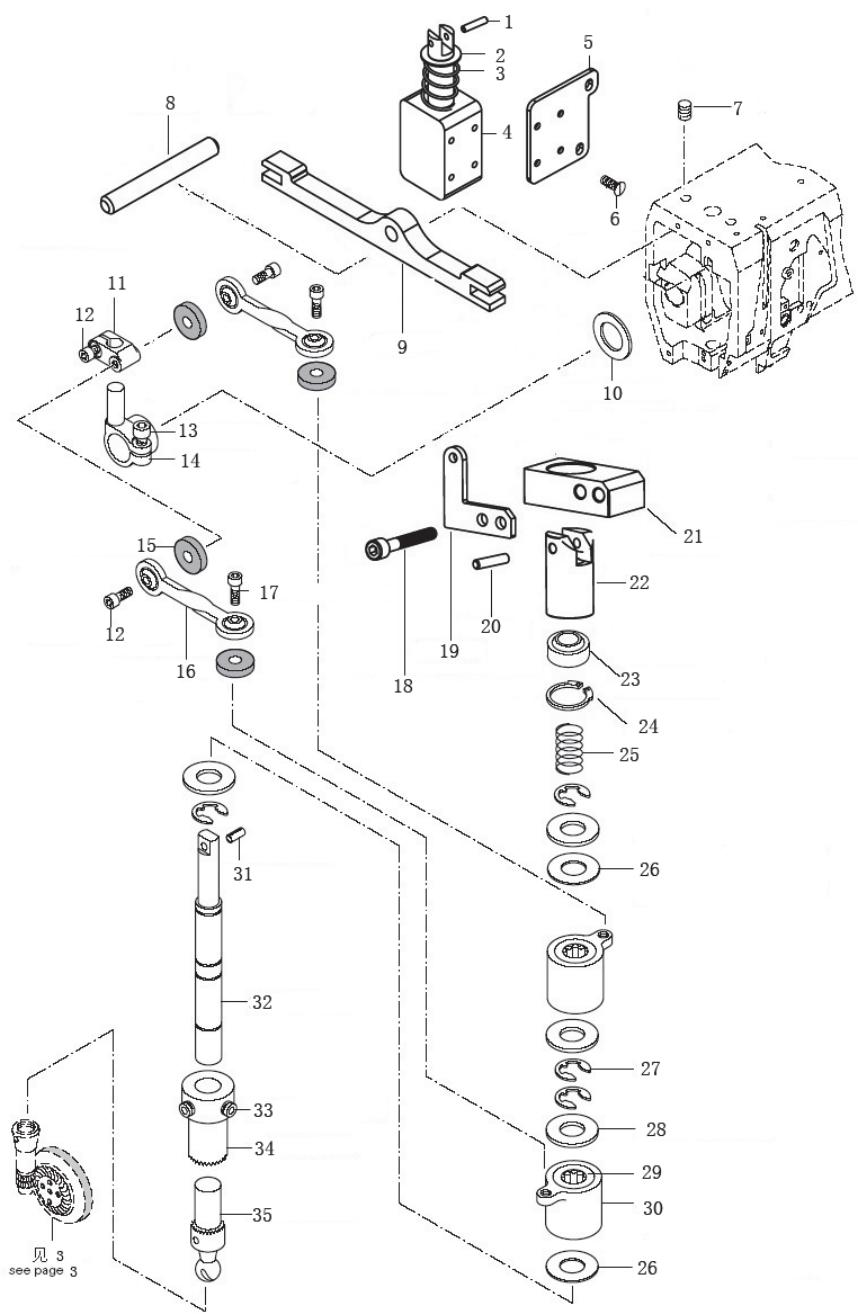


## 滚轮压脚

## Backtacking mechanism

序号 No.	件号 Pars No.	名称	Description	数量 Number
1	10001950	气缸接头组件	Cylinder connector components	2
2	10001952	气缸螺钉M3×25	Cylinder Screw (M3×25)	2
3	10001447	气缸	Cylinder	1
4	10005372	螺钉M6×16	Screw (M6×16)	1
5	10002403	滚轮联接轴气缸座	Air crock holder	1
6	10005043	万向联接座	Universal link	1
7	10012752	螺钉M4×10	Screw (M4×10)	3
8	10010953	螺钉M5×10	Screw (M5×10)	1
9	10005212	万向联接头	Universal union	1
10	10003075	螺母M5	Nut M5	1
11	10001406	宛形曲柄定位螺钉M5×5.5	Screw (M5×5.5)	1
12	10005194	输送主轴挡圈垫片 φ15	Washer	1
13	10005343	油毡垫片	Linoleum washer	4
14	10005179	球连杆组件	Linkage ball components	2
15	10005366	螺钉M4×12	Screw (M4×12)	2
16	10005487	挡圈	Collar	2
17	10005399	宛形曲柄	Crank	1
18	10005016	垫圈	washer	1
19	10005073	轴承	bearing	1
20	10001407	压簧挡圈	Pressure spring collar	1
21	10001949	滚轮联接轴压簧	bobbin coupling spindle pressure spring	1
22	10024477	调整垫圈	adjusting washer	2
23	10005377	轴承座挡圈	bearing seat collar	4
24	10005465	轴承座垫片	bearing seat washer	4
25	10005286	滚针轴承	Needle roller bearing	2
26	10005506	轴承座	Bearing seat	2
27	10002772	销3×10	Pin 3×10	1
28	10002143	滚轮联接上节	Top part	1
29	10005549	螺钉M6×5	Screw (M6×5)	2
30	10001405	联接轴上节齿轮	Gear	1
31	10001408	滚轮下节轴组件	Lower segement	1

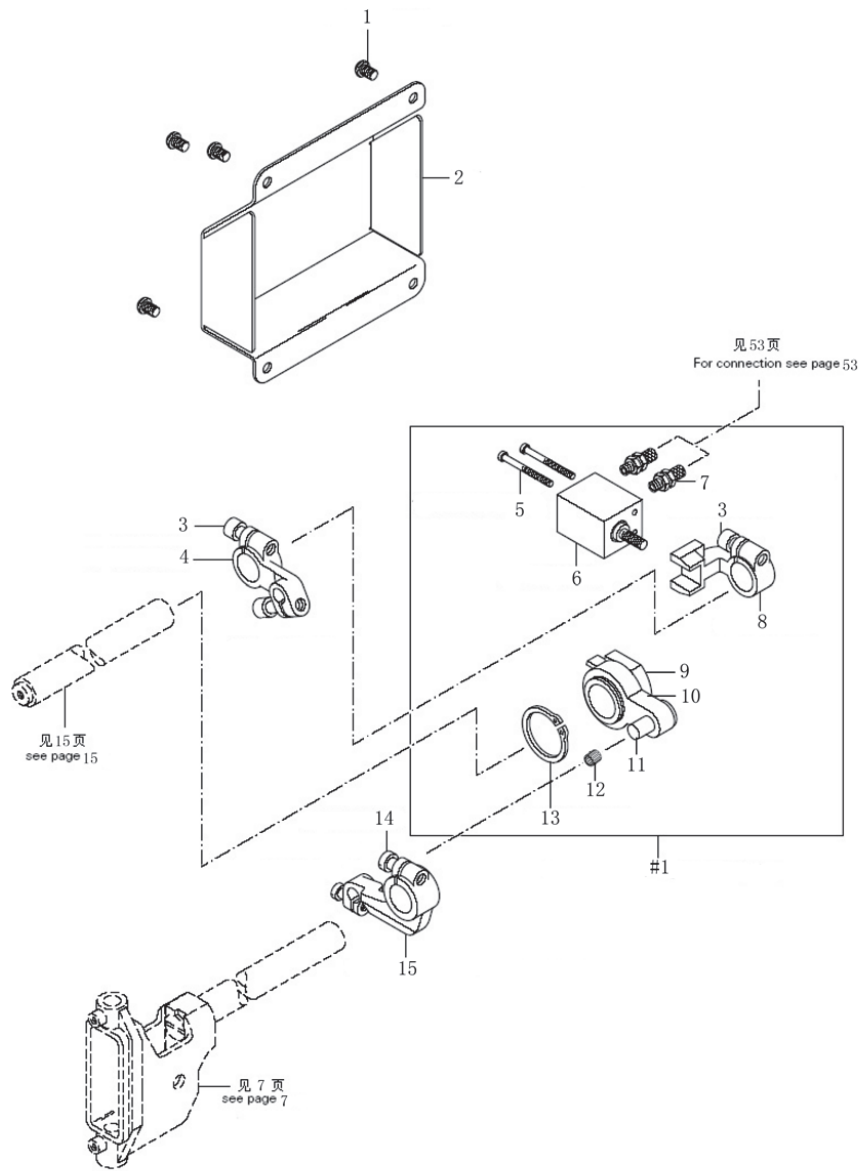




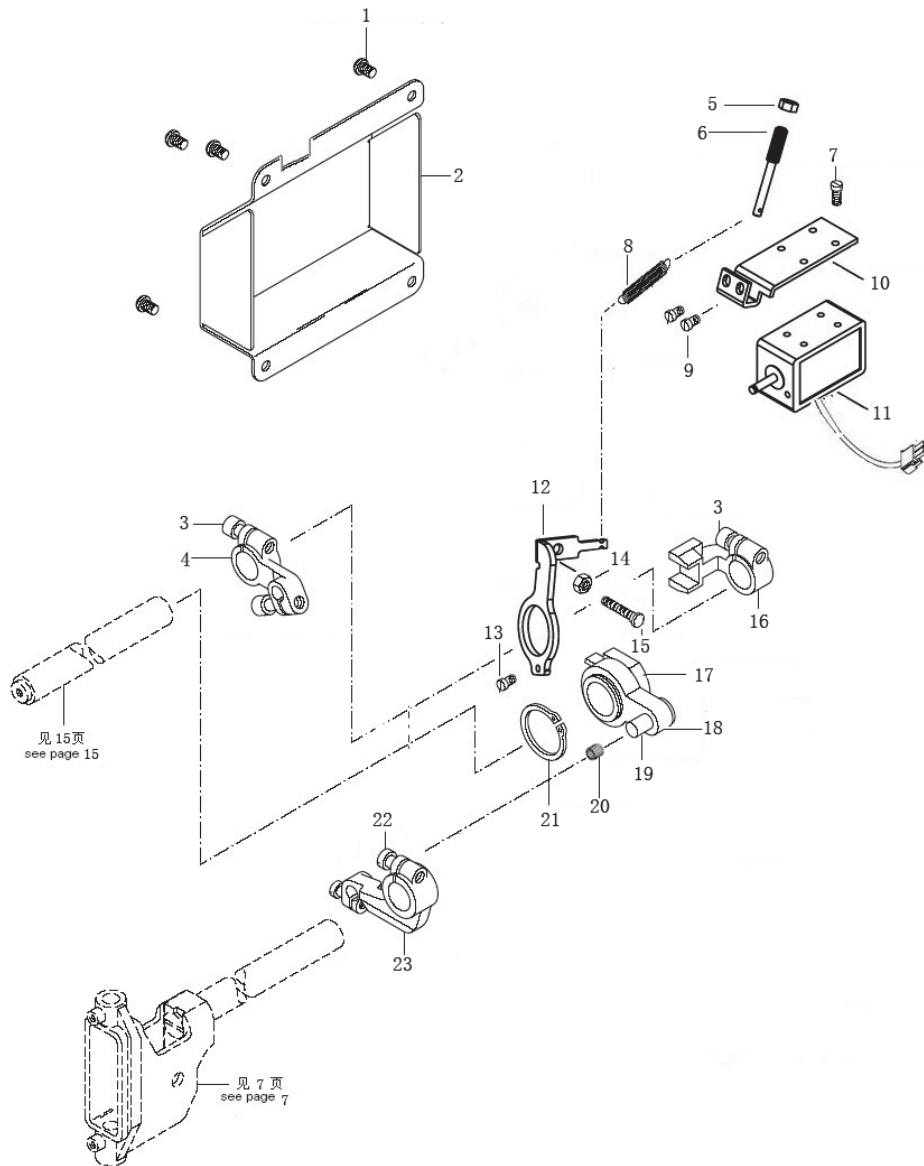
## 滚轮压脚

## Backtacking mechanism

序号 No.	件号 Pars No.	名称	Description	数量 Number
1	10002251	连杆轴销4×18	Pin 4×18	1
2	10002254	16.4垫片	Washer	1
3	10001790	压簧	Pressure spring	1
4	10001789	滚轮联接电磁铁	Bobbin join electromagnet	1
5	20003975	滚轮联接电磁铁安装板喷漆	Bobbin join electromagnet plate	1
6	10002545	螺钉M4×6	Universal union	1
7	10009074	螺钉M4×4	Screw(M4×4)	1
8	10001791	滚轮连接杠杆销6×45	Bobbin connecting lever pin 6×45	1
9	10002299	滚轮联接杠杆	Bobbin connecting lever	1
10	10005194	输送主轴挡圈垫片φ15	Washer	1
11	10005043	万向联接座	Universal union	1
12	10012752	螺钉M4×10	Screw(M4×10)	3
13	10010953	螺钉M5×10	Screw(M5×10)	1
14	10005212	万向联接头	Universal union	1
15	10005343	油毡垫片	Linoleum washer	4
16	10005179	球连杆组件	Linkage ball joint components	2
17	10005366	螺钉M4×12	Screw(M4×12)	2
18	10003100	螺钉M5×35	Screw(M5×35)	2
19	10001793	面板安装板	install plate	1
20	10002251	连杆轴销	Pin 4×18	1
21	10001786	定位块	located block	1
22	10001792	滚轮联接曲柄	Crank	1
23	10005073	碗形曲柄轴承	Bearing	1
24	10005487	挡圈	Check ring	2
25	10001949	滚轮联接轴压簧	Bobbin coupling spindle pressure spring	1
26	10024477	调整垫圈	Adjusting washer	2
27	10005377	轴承座挡圈	Bearing seat checking ring	4
28	10005465	轴承座垫片	Washer	1
29	10005286	滚轮联接轴轴承	Bobbin coupling spindle bearing	2
30	10005506	轴承座	Bearing seat	2
31	10002772	销3×10	Pin 3×10	1
32	10002143	滚轮联接上节	Bobbin link(uper)	1
33	10005549	螺钉M6×5	Screw(M6×5)	2
34	10001405	联接轴上节齿轮	coupling spindle gear(uper)	1
35	10001408	滚轮下节轴组件	Bobbin components(down)	1



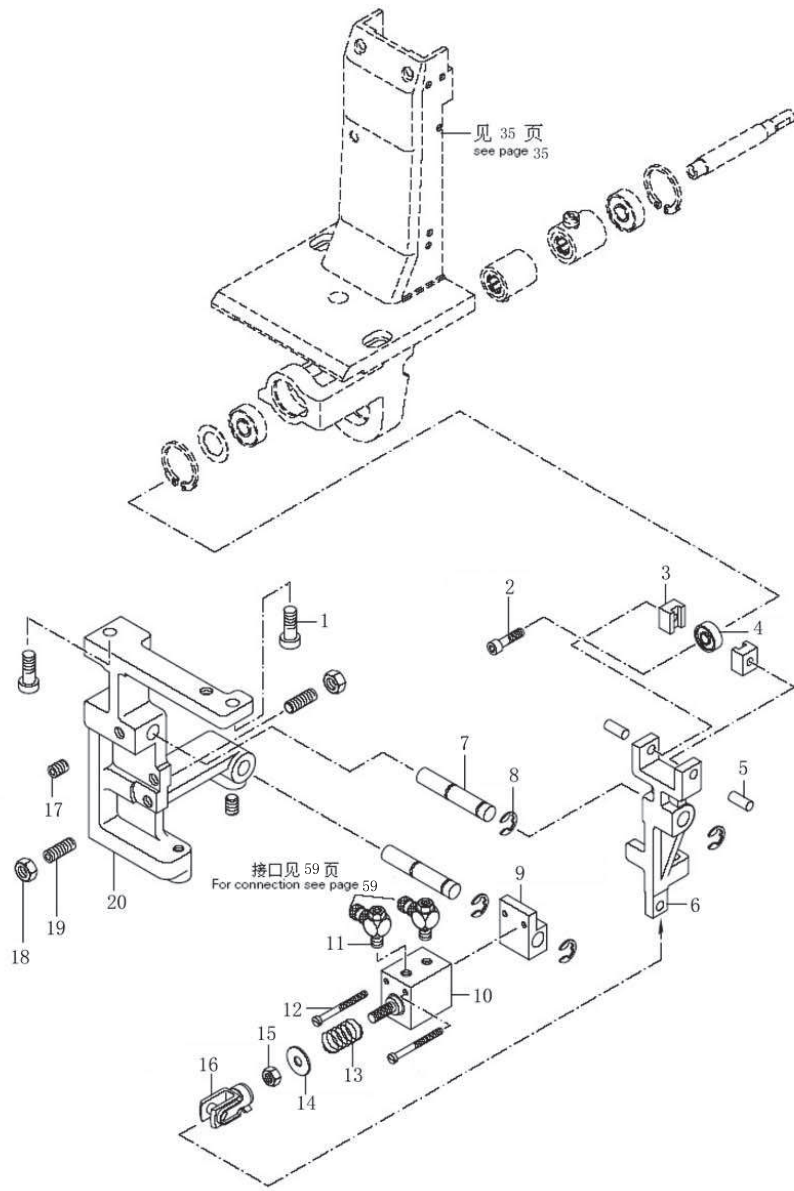




## 倒缝装置

## Backtacking mechanism

序号 No.	件号 Pars No.	名称	Description	数量 Number
1	10005107	螺钉M4×6	Screw(M4×6)	4
2	20003974	后防护罩喷漆	Force Shield spray-paint	1
3	10009008	螺钉	Screw(M6×16)	2
4	10001459	上边轴曲柄	Crank	1
5	10002096	螺母	Nut M6	1
6	10008235	弹簧销II	Spring pin II	1
7	10005107	螺钉M4×6	Screw(M4×6)	4
8	10002550	摆动架倒缝复位弹簧	Offsetting spring	1
9	10007096	螺钉M5×10	Screw(M5×10)	2
10	20003978	摆动架电磁铁安装板喷漆	Drive pin nut	1
11	10001926	摆动架电磁铁	Swing span electromagnet	1
12	10002301	摆动杆	Oscillating rod	1
13	10001975	曲柄连杆螺钉M3×12	Screw(M3×12)	1
14	10000994	摆针驱动销螺母	Drive pin nut	1
15	10001976	摆动杆螺钉M5×20	Screw(M5×20)	1
16	10001482	摆动架曲柄滑块槽	Crank Slider groove	1
17	10001977	摆动架曲柄滑块	Crank slider	1
18	10001974	曲柄连杆	Crank link	1
19	10005047	针距调节连杆销	Adjusting link pin	1
20	10007368	滚针轴承K8×11×10	Needle roller bearing	1
21	10005361	带偏心曲柄卡圈	Crank collar	1
22	10005139	螺钉M5×12	Screw(M5×12)	2
23	10005481	曲柄	Crank	1

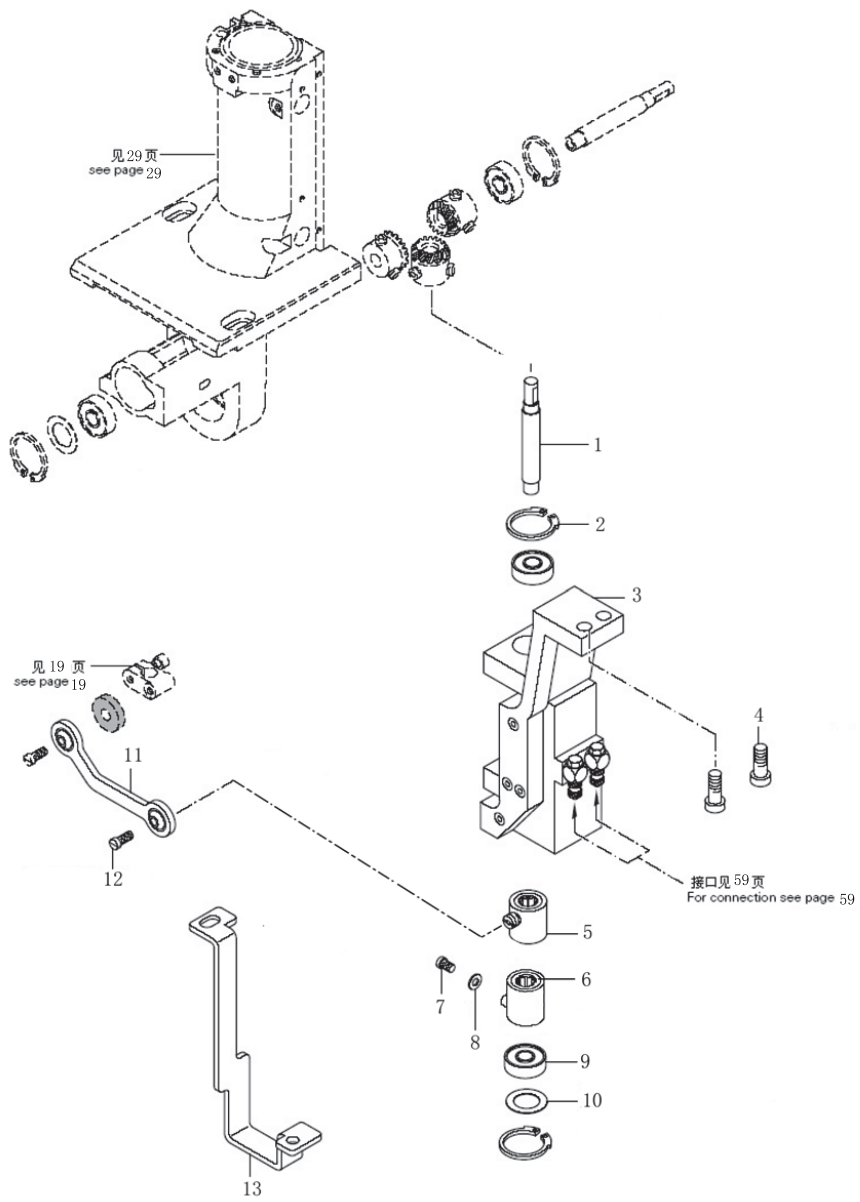


## 倒缝驱动装置(9610-D3)

## Backtacking drive mechanism

序号 No.	件号 Pars No.	名称	Description	数量 Number
1	10009008	螺钉M6×16	Screw(M6×16)	2
2	10005366	螺钉M4×12	Screw(M4×12)	1
3	10001461	轴承座	Bearing seat	2
4	10003591	624ZZ轴承	624ZZbearing	1
5	10002785	销4×10	Pin	2
6	10001954	倒缝传动杠杆	Backstitch transmit lever	1
7	10001462	倒缝传动杠杆销	Backstitch transmit lever pin	1
8	10001456	卡圈	Collar	4
9	10001460	倒缝气缸固定板	Cylinder ledger plate	1
10	10001447	气缸	Cylinder	1
11	10001950	气缸接头组件	Cylinder connector components	2
12	10001952	气缸螺钉M3×25	Screw(M3×25)	2
13	10001956	倒缝气缸压簧	Backstitch Cylinder pressure spring	1
14	10003134	垫圈	Washer	1
15	10009467	螺母M5	Nut M5	1
16	10001659	弹簧片组件	Spring components	1
17	10009187	螺钉M6×8	Screw(M6×8)	2
18	10005504	调节螺母	Adjusting nutM6	2
19	10003180	螺钉M6×22	Screw(M6×22)	2
20	10001953	倒缝传动支座	Backstitch transit seat	1

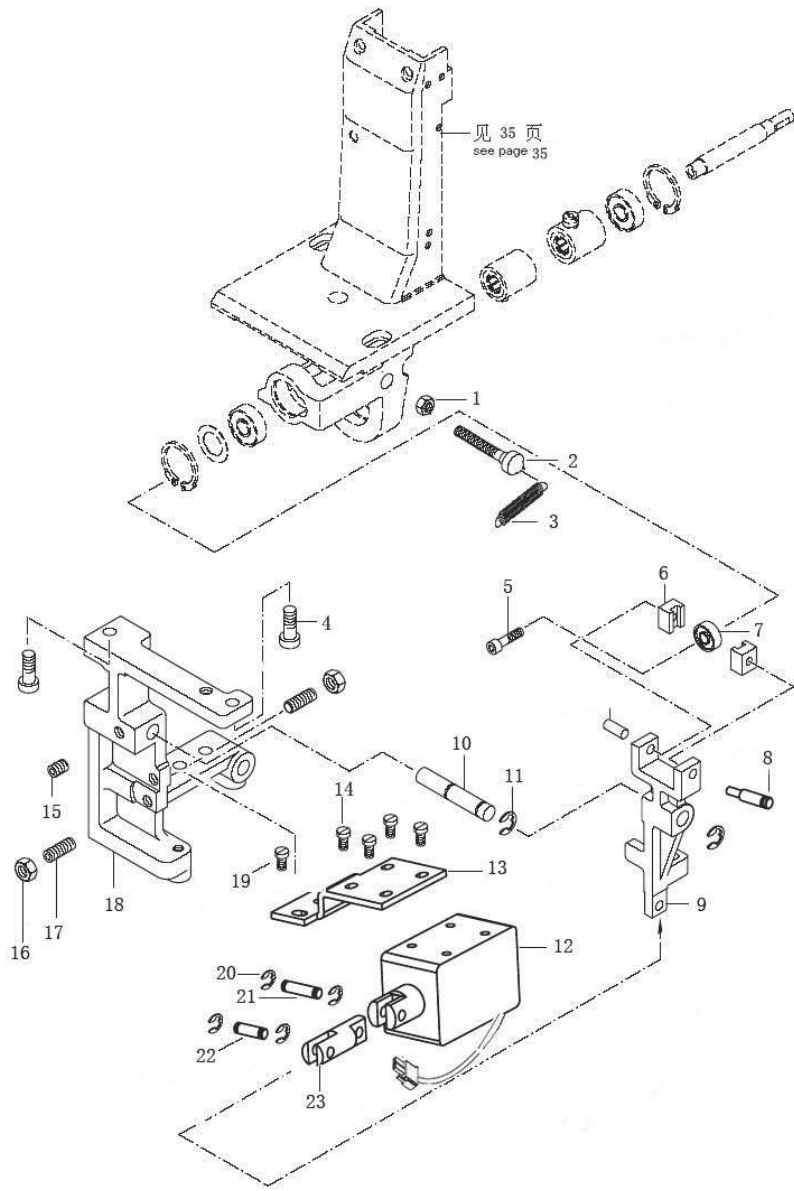




## 倒缝驱动装置 (9620-D3)

## Backtacking drive mechanism

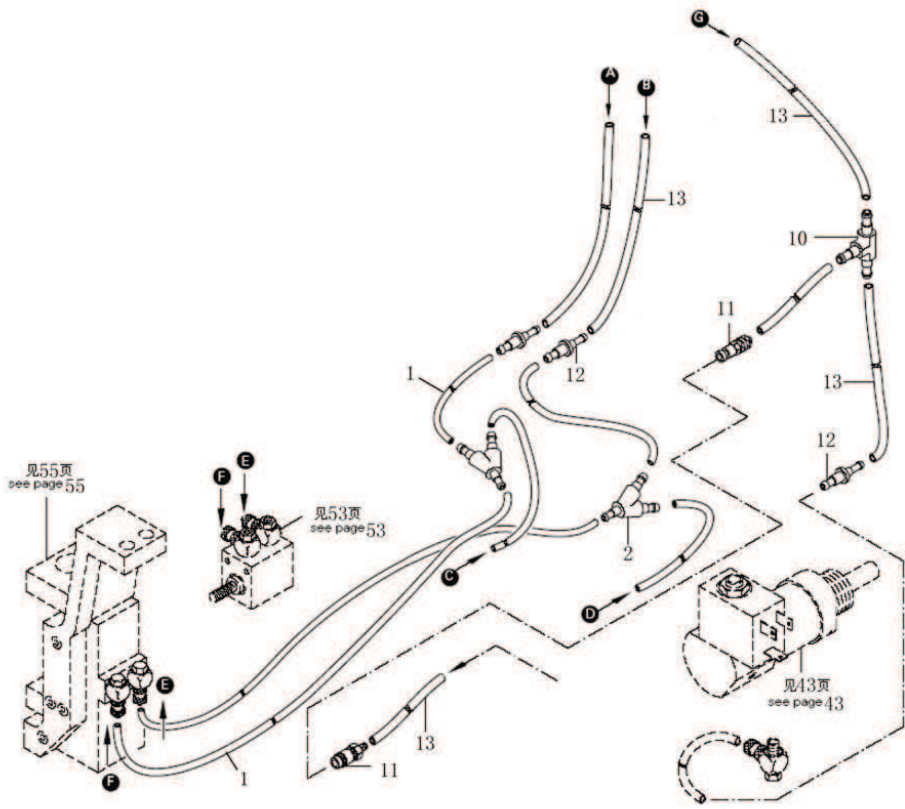
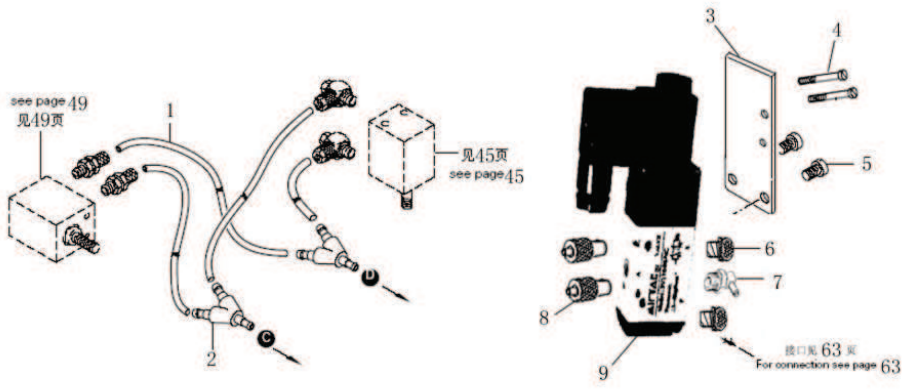
序号 No.	件号 Pars No.	名称	Description	数量 Number
1	10005540	轴	Bearing	1
2	10005432	挡圈	Checking ring	2
3	10002402	倒缝传动组件	Backstitch transmit components	1
4	10009008	螺钉	Screw (M6×16)	2
5	10005454	轴承座	Bearing seat	2
6	10005286	滚针轴承	Needle roller bearing	2
7	10001804	螺钉	Screw (M4×5)	1
8	10005260	垫圈	Washer	1
9	10003586	轴承	Bearing	2
10	10005109	调整垫片	Adjusting washer	1
11	10001432	574球连杆组件	574 ball Connecting Rod components	1
12	10005405	螺钉	Screw (M4×9)	1
13	10001588	574支脚	574 stabiliser	1



## 倒缝驱动装置 (9630)

## Backtacking drive mechanism

序号 No.	件号 Pars No.	名称	Description	数量 Number
1	10000994	摆针驱动销螺母	nut	1
2	10005430	螺钉M5×25	Screw (M5×25)	1
3	10002308	倒缝齿轮复位弹簧	Offsetting spring	1
4	10009008	螺钉	Screw (M6×16)	2
5	10005366	螺钉	Screw (M4×12)	1
6	10001461	轴承座	Bearing seat	2
7	10003591	624ZZ轴承	624ZZ bearing	1
8	10001799	销	Pin	2
9	10001954	倒缝传动杠杆	Lever	1
10	10001462	倒缝传动杠杆销	Lever pin	1
11	10001456	卡圈	Collar	4
12	10002306	倒缝电磁铁	backstitch Electromagnet	1
13	10001798	倒缝电磁铁安装板	backstitch Electromagnet Instruction	1
14	10005107	螺钉	Screw (M4×6)	4
15	10009187	螺钉	Screw (M6×8)	2
16	10005504	调节螺母	Adjusting nutM6	2
17	10003180	螺钉	Screw (M6×16)	2
18	10002305	倒缝传动支座	backstitch transmit seat	1
19	10005322	螺钉	Screw (M5×10)	2
20	10005078	挡圈	checking ring	4
21	10001800	倒缝电磁铁接头长销	Long pin	1
22	10001801	倒缝电磁铁接头短销	Short pin	1
23	10002307	倒缝电磁铁接头	backstitch electromagnet connector	1

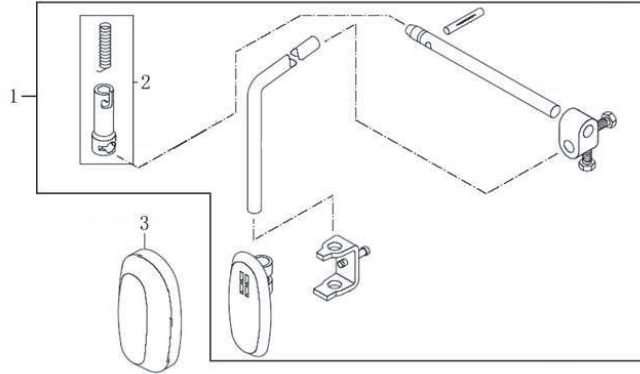


气动设备

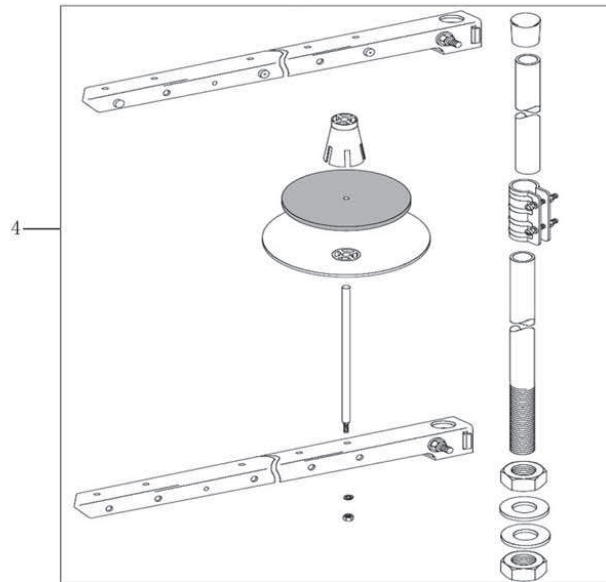
Pneumatic dquipment

序号 No.	件号 Pars No.	名称	Description	数量 Number
1	10007780	气管	Windpipe $\Phi 2.5 \times \Phi 4$	1
2	10001663	Y形接头	Y type connector	4
3	10001664	气阀安装板	Vent Valve mouting plate	1
4	10002148	气阀安装螺钉	Screw (M3×10)	2
5	10005003	螺钉	Screw (M5×8)	2
6	10001548	消声器	Muffler	1
7	10006792	气阀L形接头组件	Vent Valve L type connector components	1
8	10006790	气阀接头组件	Vent Valve connector components	2
9	10001490	气阀	Vent Valve	1
10	10001549	T形接头	T type connector	1
11	10001455	快插联接头	Tip union	1
12	10005325	气管变径接头	Windpipe connector	3
13	10007782	气管	Windpipe $\Phi 4 \times \Phi 6$	1

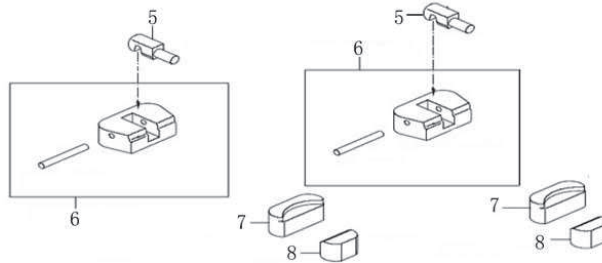
**7** 脚膝抬压脚部件  
Knee lifter parts



**8** 线架  
Reel stands



**9** 用于台板零件  
Parts for table top

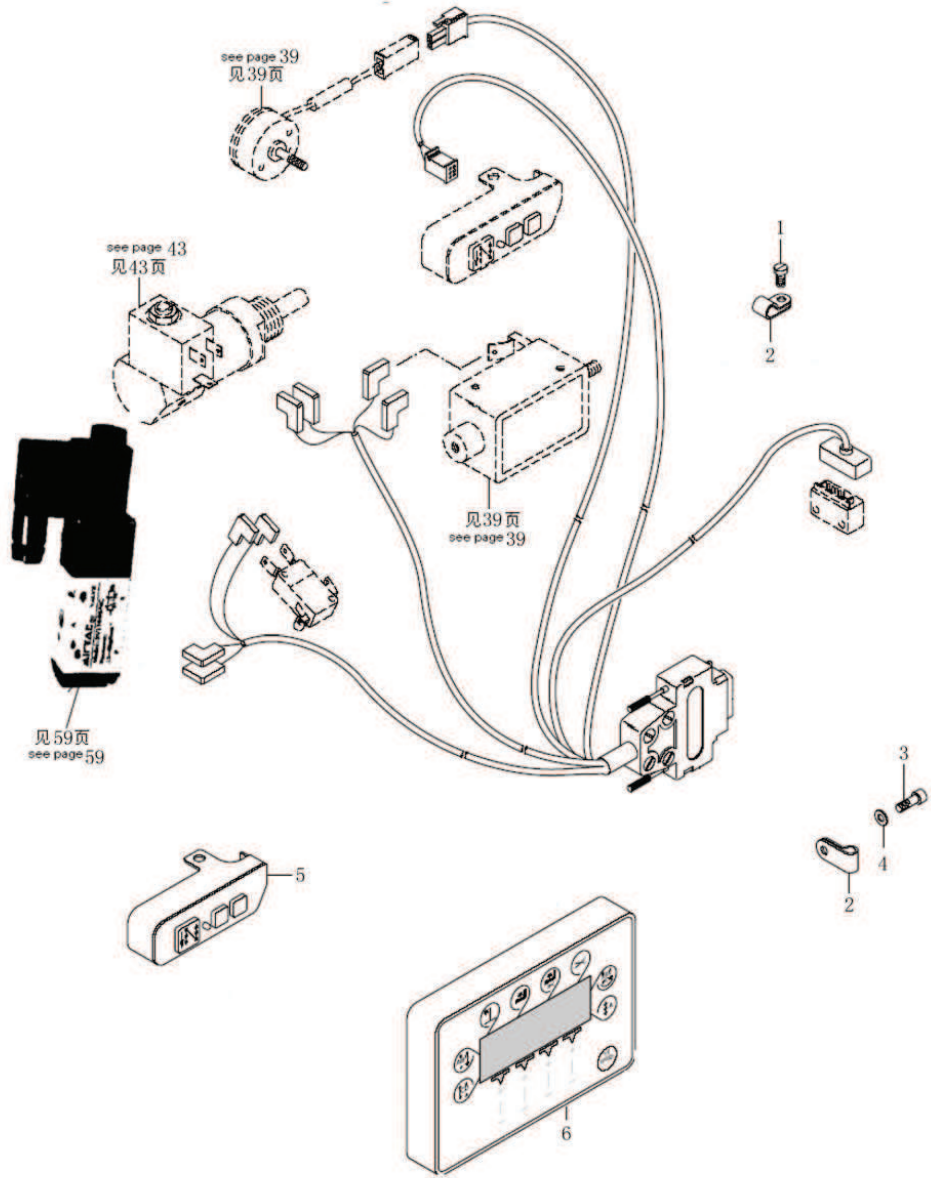


## 脚膝抬压脚

## Knee lifter parts

序号 No.	件号 Pars No.	名称	Description	数量 Number
1	10004975	膝控组件	By knee components	1
2	10005514	操纵顶柱组件	Control fulcrum components	1
3	10005455	膝控软垫	By knee in sole	1
<b>线架</b>			<b>Thread Stands</b>	
4	10006300	线架	Thread Stands	1
<b>台板零件</b>			<b>Parts for table top</b>	
5	10005374	机头铰链	Hinges	2
6	10005030	机头铰链座组件	Hinges components	2
7	10005248	机头座垫	Cushion Side	2
8	10005114	机头支座	support pillar	2

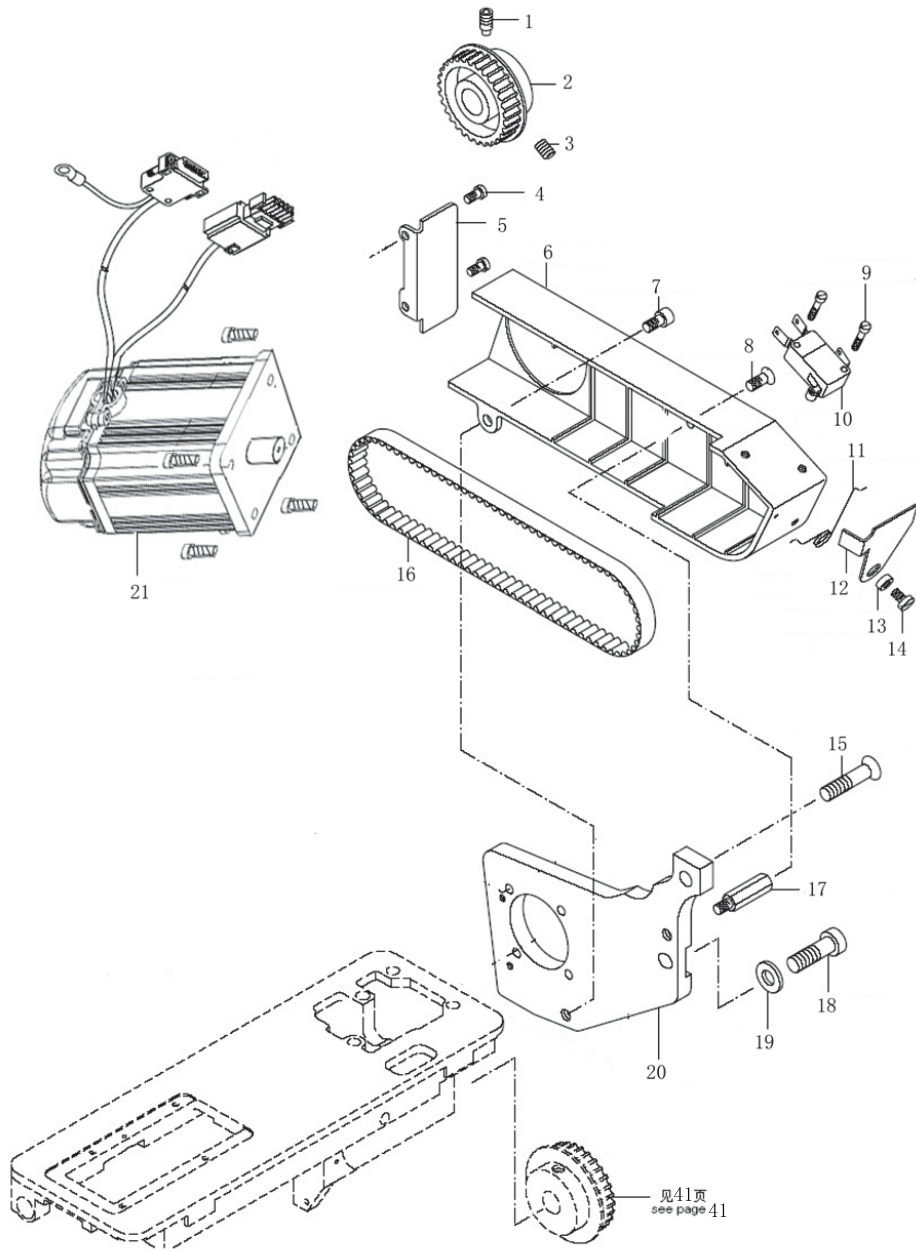




电控配件

Cable tree to sewing head

序号 No.	件号 Pars No.	名称	Description	数量 Number
1	10005513	螺钉M4×8	Screw(M4×8)	1
2	10005403	电线夹	wire clip	2
3	10005366	螺钉M4×12	Screw(M4×12)	1
4	10005260	垫圈φ4	Washer	1
5	10001463	倒缝开关	switch	1
6	10028513	电控操作面板	operate panel	1
7				
8				
9				
10				
11				
12				
13				
14				
15				
16				
17				
18				
19				
20				
21				
22				
23				
24				
25				
26				
27				
28				
29				
30				
31				
32				
33				
34				
35				
36				
37				
38				
39				
40				
41				
42				
43				



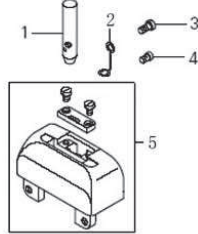
## 内置式电机部件

## Built-in motor

序号 No.	件号 Pars No.	名称	Description	数量 Number
1	10011966	螺钉M6×8	Screw(M6×8)	1
2	10005380	下轴带轮	Axle pulley(down)	1
3	10009187	螺钉M6×8	Screw(M6×8)	1
4	10005513	螺钉M4×8	Screw(M4×8)	2
5	20003991	皮带防护板喷漆	Pickguard spray-paint	1
6	20003992	电机防护罩喷漆	Shield spray-paint	1
7	10005322	螺钉M5×10	Screw(M5×10)	1
8	10001888	螺钉M5×10	Screw(M5×10)	1
9	10001368	螺钉M3×14	Screw(M3×14)	2
10	10001540	开关6.3×0.8	power switch 6.3×0.8	1
11	10001524	顶板扭簧	switch crest torsional spring	1
12	20003989	开关顶板喷漆	power switch crest slab spray-paint	1
13	10002108	垫圈	Washer	1
14	10002070	螺钉M4×8	Screw(M4×8)	1
15	10001520	螺钉M8×20	Screw(M8×20)	1
16	10001523	电机同步带	Electric machinery synchronous belt	1
17	10001525	螺钉M5×8	Screw(M5×8)	1
18	10001366	螺钉M8×25	Screw(M8×25)	1
19	10001522	垫圈	Washer	1
20	10007611	电机安装板	Electric machinery mouting plate	1
21	10023420	电机	Electric machinery	1

### 9610-D B\*

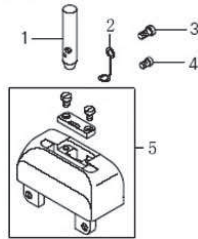
用于在中厚料上缝制装饰线缝和固定线缝。  
For sewing fancy seams and assembly seams on medium-weight materials.



序号	物料号
1	10005214
2	10004943
3	10005547
4	10005478
5	10001478

### 9610-D C\*

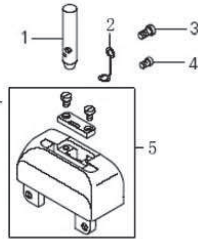
用于在中厚料至中偏厚料上缝制装饰线缝和固定线缝。  
For sewing fancy seams and assembly seams on medium-to medium heavyweight materials.



序号	物料号
1	10005214
2	10004943
3	10005547
4	10005478
5	10001480

### 9610-D CN7\*

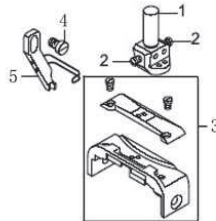
用于在中厚料至中偏厚料上缝制装饰线缝和固定线缝。  
For sewing fancy seams and assembly seams on medium-to medium heavyweight materials.



序号	物料号
1	10005214
2	10004943
3	10005547
4	10005478
5	10004102

### 9620-D BN36\*

用于在中厚料上缝制装饰线缝和固定线缝。  
For sewing fancy seams and assembly seams on medium-weight materials.



序号	机针间距	针对角线距离	物料号
1		3,2	10001494
2			10002007
3	1,2	3,2	10001583
	1,4	3,2	
	1,6	3,2	10001377
	1,8	3,2	10001378
	2,0	3,2	10001712
	2,2	3,2	10001713
	2,4	3,2	10001379
	2,8	3,2	10001380
4			10005204
5	1,2	3,2	
	1,4	3,2	
	1,6	3,2	
	1,8	3,2	10001422
	2,0	3,2	10001721
	2,2	3,2	10002200
	2,4	3,2	10001423
	2,8	3,2	10001424