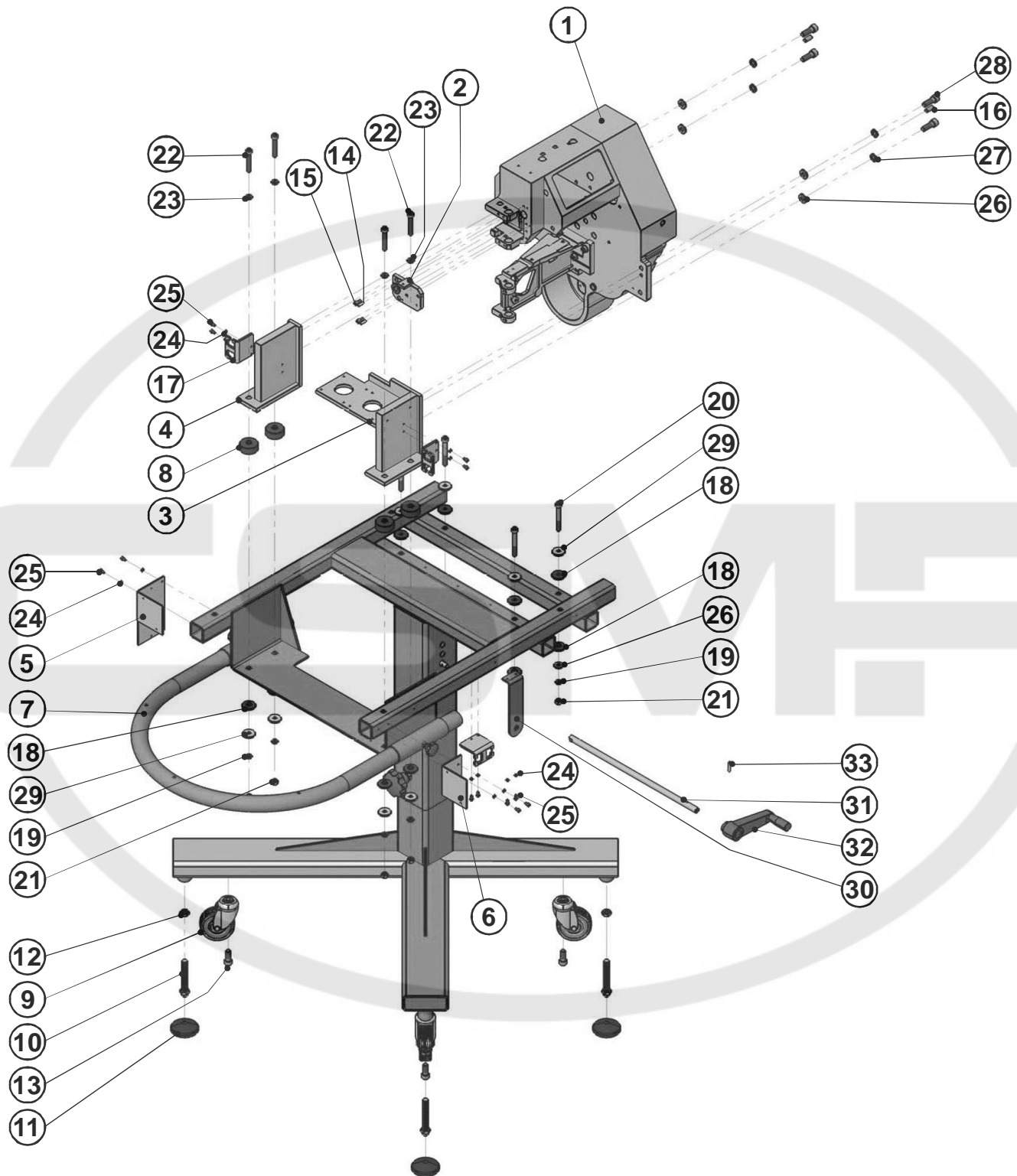


TABLE OF CONTENTS

Frame Assembly	3-2
Needle Bar Lifter	3-4
Threader, Needle Cover	3-6
Upper and Lower Looper	3-8
Thread Tension	3-10
Button Chuck Jaw	3-12
Needle Bar Mechanim Lower and Upper	3-14
Needle Bar Assembly	3-16
Gear Train and Motor Assembly	3-18
Adjustable Lift Tongue	3-20
Retainer Assembly	3-22
Button Feed Mechanism	3-24
Button Chuck Mechanism	3-26
Table Mechanism	3-28
Air Threading	3-30
Light Assembly	3-32
Covers and Guards Assembly.....	3-34
Stand Thread.....	3-36
Panel Kit Got 1000	3-38
Electrobox	3-40
Accessories	3-42
Accessories Special	3-44
Standard Accessories Holders.....	3-46

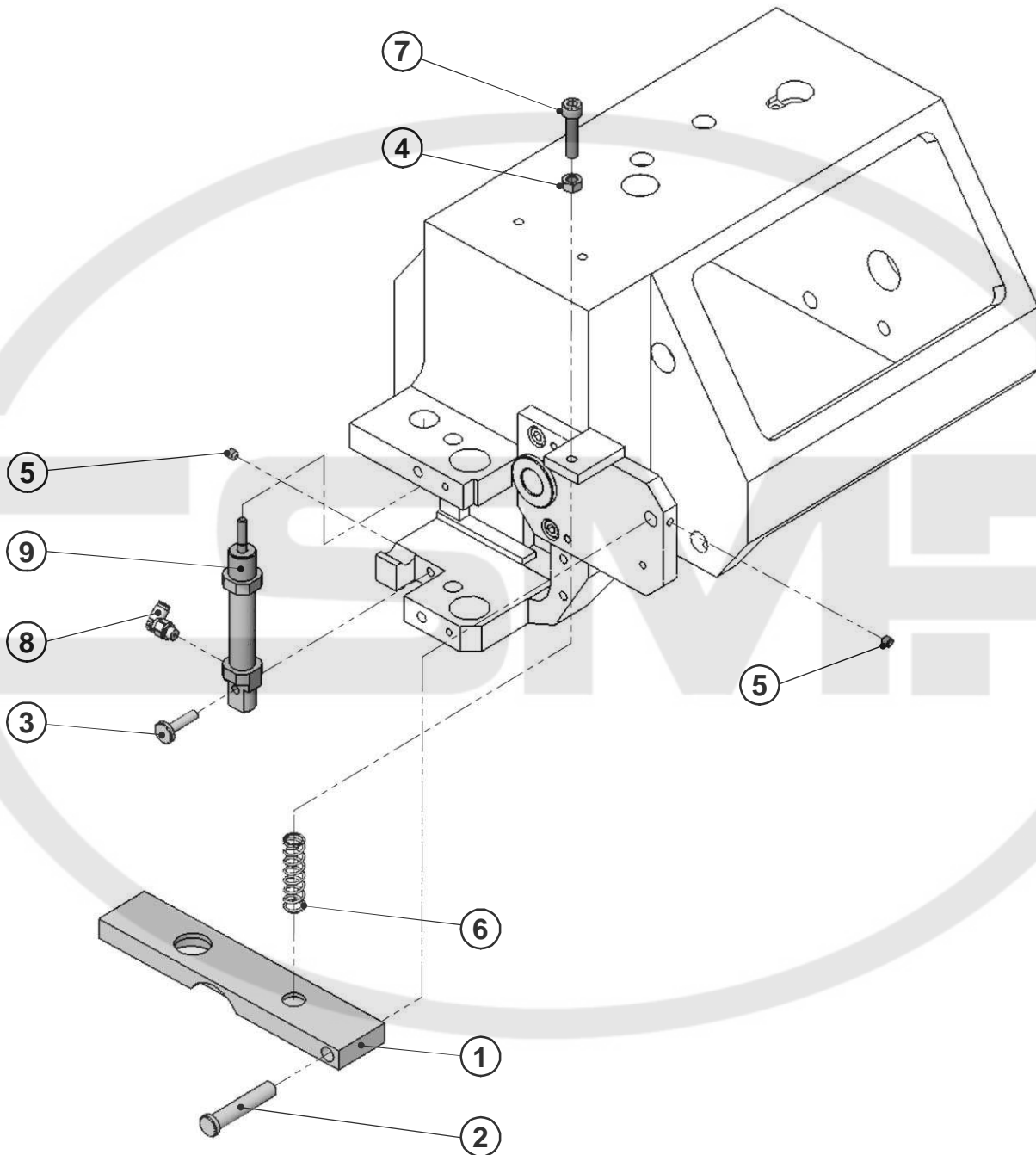
FRAME ASSEMBLY



Revised 08/2008

E-mail: service@amfreece.cz; parts@amfreece.cz; website: www.amfreece.com
 Phones: +420 582 309 146 (Service), +420 582 309 286 (Spare Parts); Fax: +420 582 360 606

NEEDLE BAR LIFTER

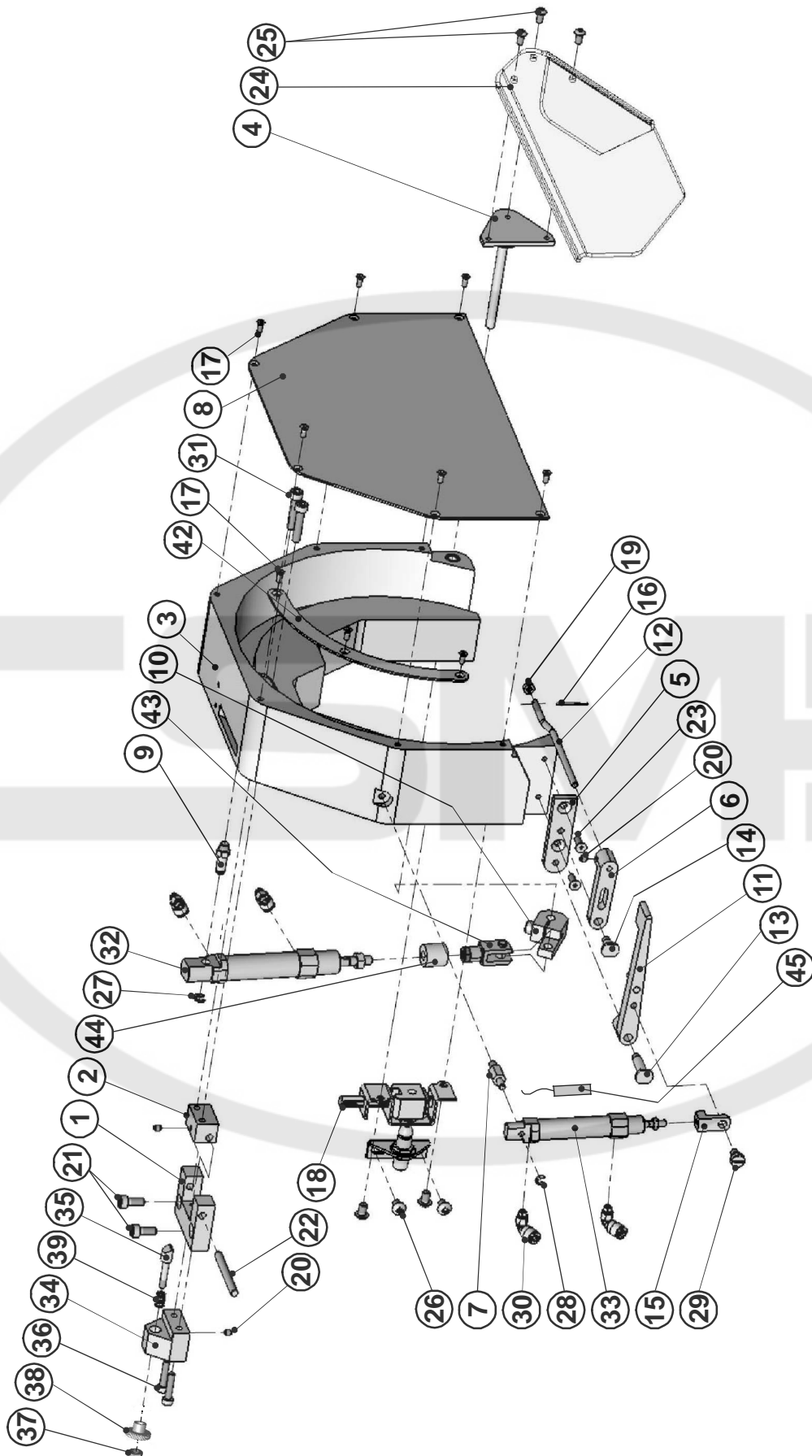


Revised 08/2008

E-mail: service@amfreece.cz; parts@amfreece.cz; website: www.amfreece.com

Phones: +420 582 309 146 (Service), +420 582 309 286 (Spare Parts); Fax: +420 582 360 606

THREADER, NEEDLE COVER



Revised 08/2008

E-mail: service@amfreece.cz; parts@amfreece.cz; website: www.amfreece.com
Phones: +420 582 309 146 (Service), +420 582 309 286 (Spare Parts); Fax: +420 582 360 606

THREADER, NEEDLE COVER

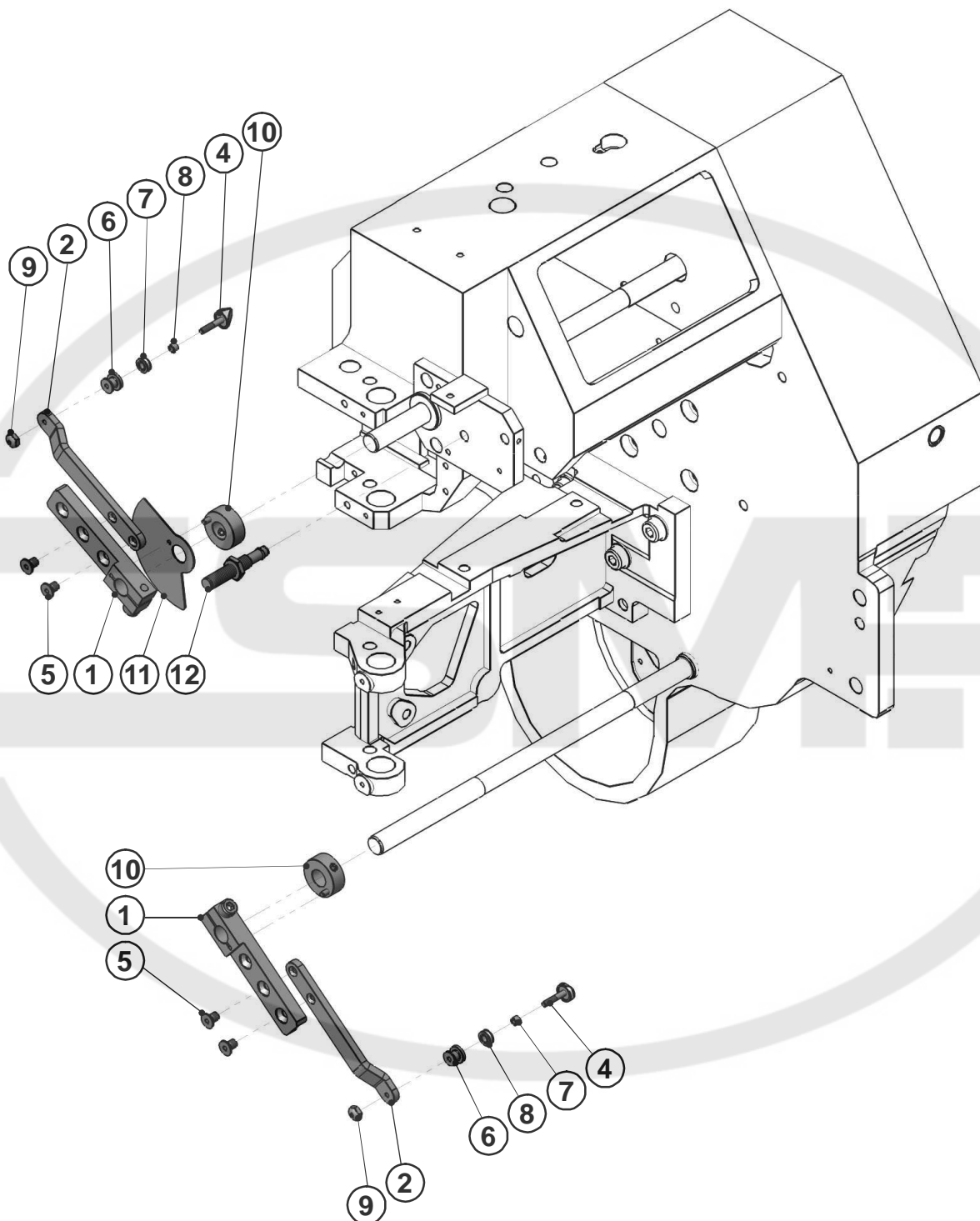
DED	PART NUMBER	DESCRIPTION	QTY.
01	71.1241.8.083	HINGE	1
02	71.1242.8.036	HINGE	1
03	71.1587.6.007	GUARD	1
04	71.1557.4.044	MOUNTING SHAFT GUARD FLAP	1
05	71.1663.1.027	PLATE	1
06	71.1663.1.029	THREADER ARM	1
07	71.1664.1.018	STUD	1
08	71.1586.1.017	COVER	1
09	71.1273.9.139	STUD	1
10	71.1661.8.041	LEVER	1
11	71.1664.1.014	LEVER EXTENSION	1
12	71.1195.5.015	THREADER ROD	1
13	71.1174.1.015	STUD	1
14	71.1174.1.012	STUD	1
15	71.1664.1.017	PISTON ROD	1
16	37213001	NEEDLE THREADER	1
17	08.6100.3.008	SCREW M3-8	9
18	12.0008.6.228	LATCH	1
19	08.6702.4.000	NUT M4	1
20	08.6400.4.005	SCREW M4-5	3
21	08.6000.5.012	SCREW M5-12	2
22	12.1010.2.020	PIN 5h-50	1
23	08.6100.4.012	SCREW m4-12	2
24	71.1570.0.032	GUARD FLAP	1
25	08.6202.4.008	SCREW M4-8	3
26	08.6200.5.008	SCREW M5-8	4
27	12.1045.0.004	RETAINING RING 4	1
28	12.1045.0.003	RETAINING RING 3,2	1
29	22.0182.0.000	SCREW M5x4	1
30	12.0008.3.815	SPEED CONTROLER AS 1211-MB-02	4
31	08.6000.5.030	SCREW M5-30	2
32	12.0008.3.609	CYLINDER C85N12-25	1
33	12.0008.3.735	CYLINDER C85N10-20	1
34	71.1241.8.084	HOLDER	1
35	71.1241.8.085	STUD	1
36	08.6000.4.020	SCREW M4-20	2
37	08.6710.4.000	NUT M4	1
38	17.0017.2.041	NUT M4	1
39	12.3010.0.009	SPRING LC 020C 03 M	1
40			
41			
42	71.1488.1.006	PLATE	1
43	71.1661.8.044	SPACER	1
44	12.0008.3.806	KNUCKLE GKM6-12	1
45	06.7100.0.029	SENSOR BQ11	1

Revised 11/2008

 E-mail: service@amfreece.cz; parts@amfreece.cz; website: www.amfreece.com

Phones: +420 582 309 146 (Service), +420 582 309 286 (Spare Parts); Fax: +420 582 360 606

UPPER AND LOWER LOOPER

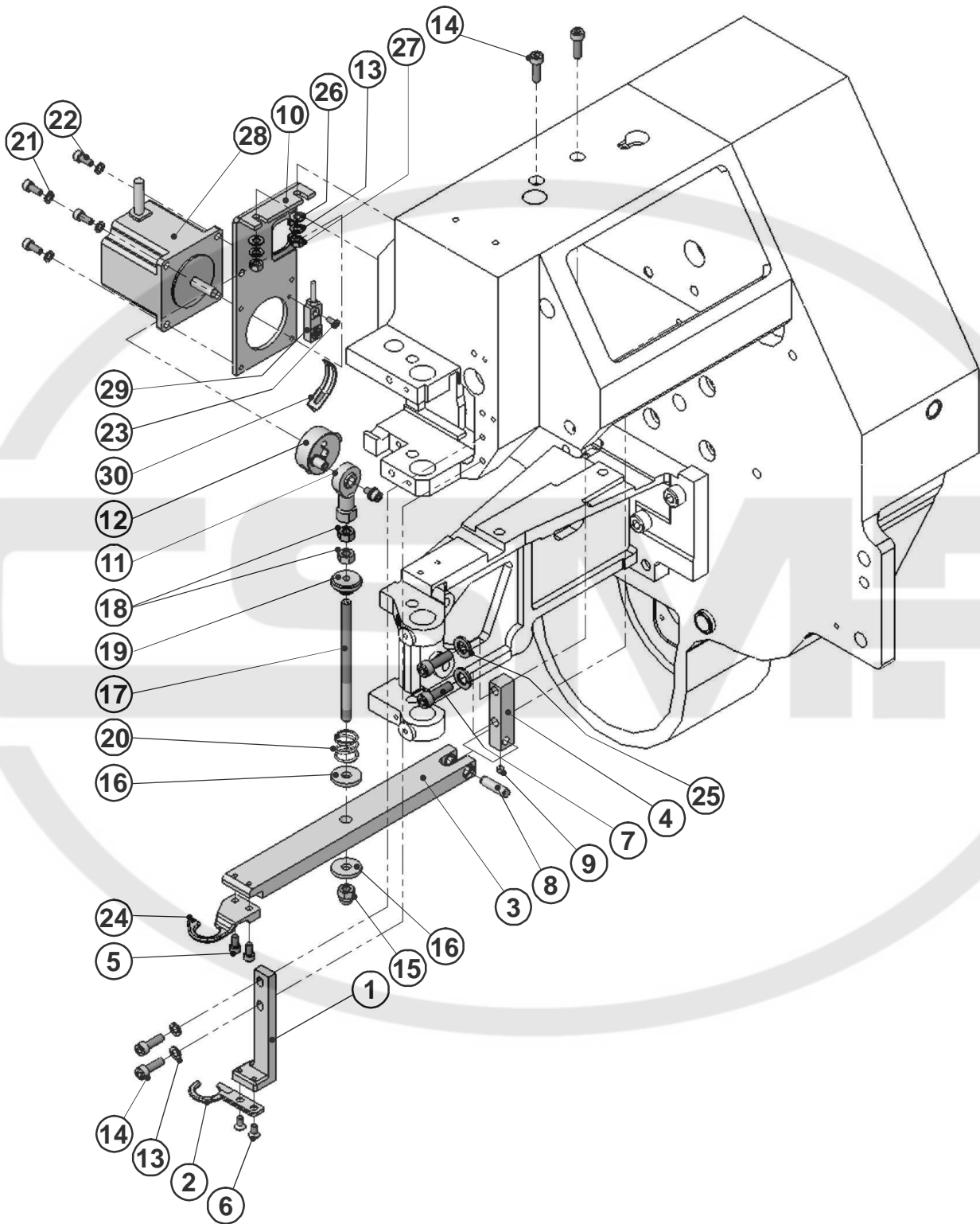


Revised 08/2008

E-mail: service@amfreece.cz; parts@amfreece.cz; website: www.amfreece.com

Phones: +420 582 309 146 (Service), +420 582 309 286 (Spare Parts); Fax: +420 582 360 606

THREAD TENSION

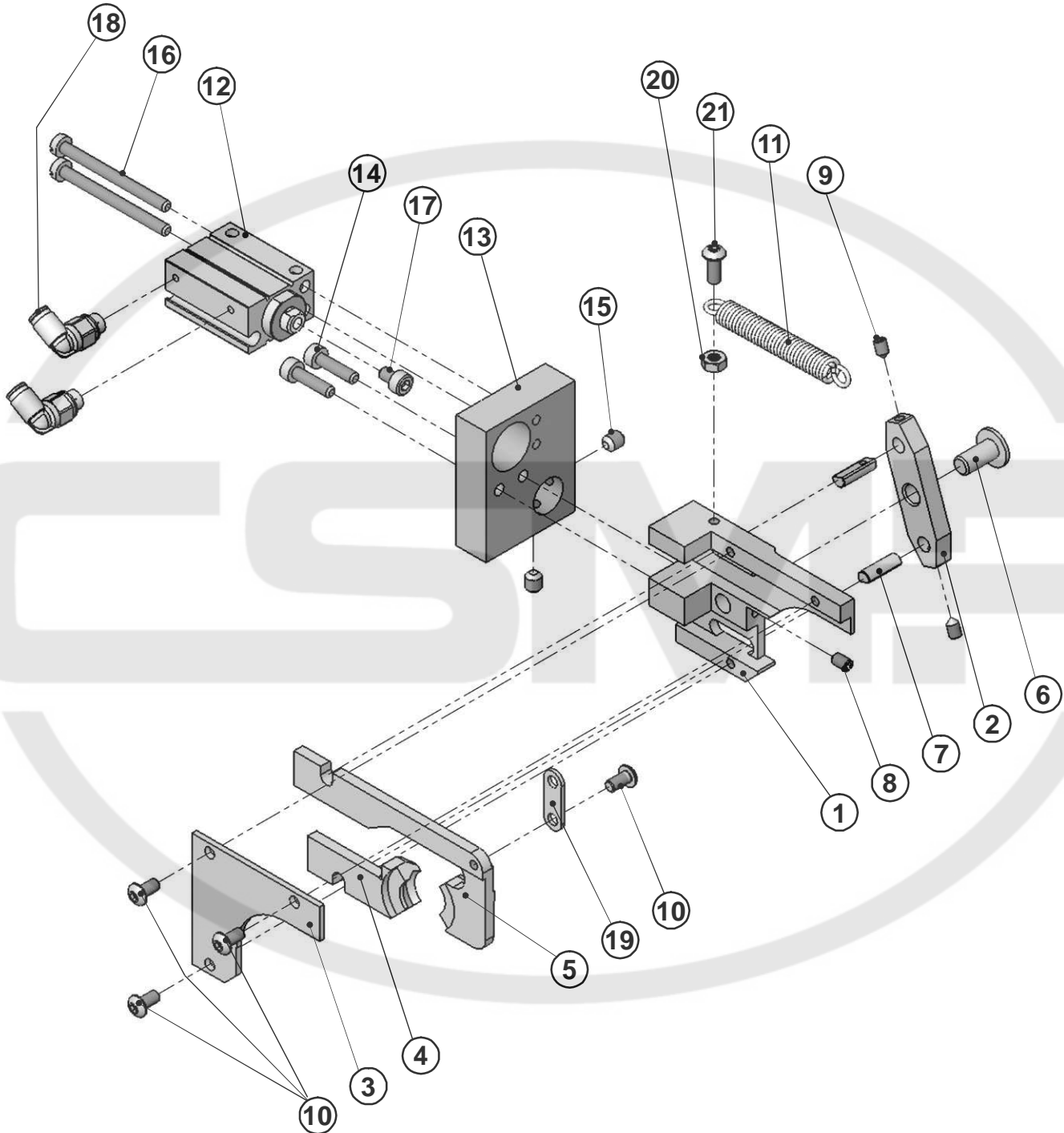


Revised 08/2008

E-mail: service@amfreece.cz; parts@amfreece.cz; website: www.amfreece.com

Phones: +420 582 309 146 (Service), +420 582 309 286 (Spare Parts); Fax: +420 582 360 606

BUTTON CHUCK JAW



Revised 08/2008

E-mail: service@amfreece.cz; parts@amfreece.cz; website: www.amfreece.com
Phones: +420 582 309 146 (Service), +420 582 309 286 (Spare Parts); Fax: +420 582 360 606

BUTTON CHUCK JAW

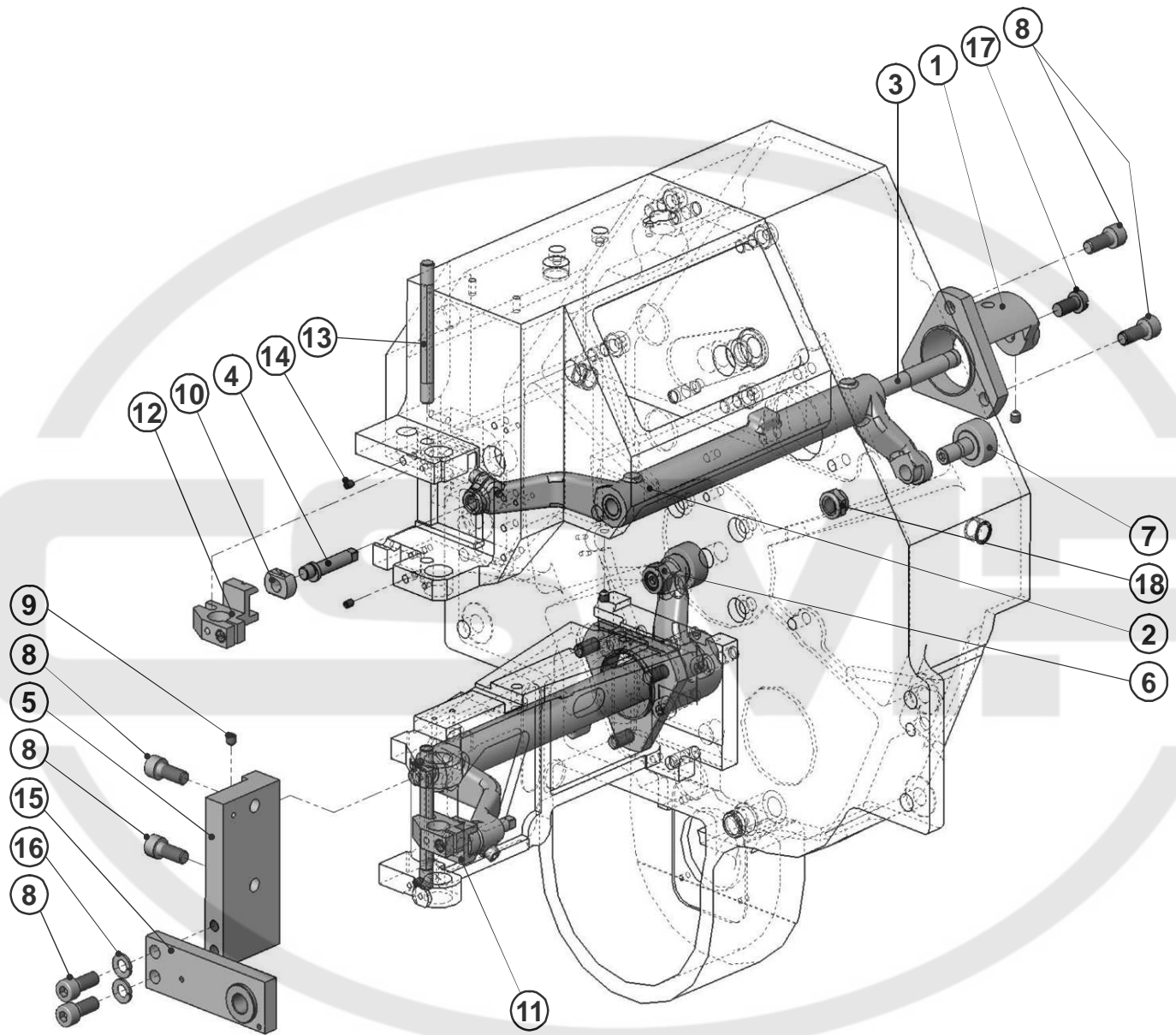
DET	PART NUMBER	DESCRIPTION	QTY.
01	71.1554.1.065	BUTTON CHUCK BODY	1
02	71.1666.1.026	LEVER	1
03	71.1577.8.058	PLATE	1
04	71.1784.1.034	CHUCK JAW INNER	1
05	71.1784.1.033	CHUCK JAW OUTER	1
06	71.1164.1.041	STUD	1
07	71.1121.1.011	PIN 6h6-22	2
08	08.6400.3.005	SCREW M3-5	1
09	08.6420.3.005	SCREW M3-5	2
10	08.6200.3.006	SCREW M3-6	4
11	34973041	SPRING LE 041C 07 M	1
12	12.0008.3.631	CYLINDER CUJB10-15D	1
13	71.165.8.068	PLATE	1
14	08.6000.3.012	SCREW M3-12	2
15	08.6400.4.005	SCREW M4-5	2
16	08.6032.3.035	SCREW M3-35	2
17	08.6000.3.005	SCREW M3-5	1
18	12.0008.3.809	CONNECTOR KJL02-M5	2
19	71.1175.4.011	HOLDER	1
20	08.6700.3.000	NUT M3	1
21	086200.3.008	SCREW M3-6	1

Revised 11/2008

E-mail: service@amfreece.cz; parts@amfreece.cz; website: www.amfreece.com

Phones: +420 582 309 146 (Service), +420 582 309 286 (Spare Parts); Fax: +420 582 360 606

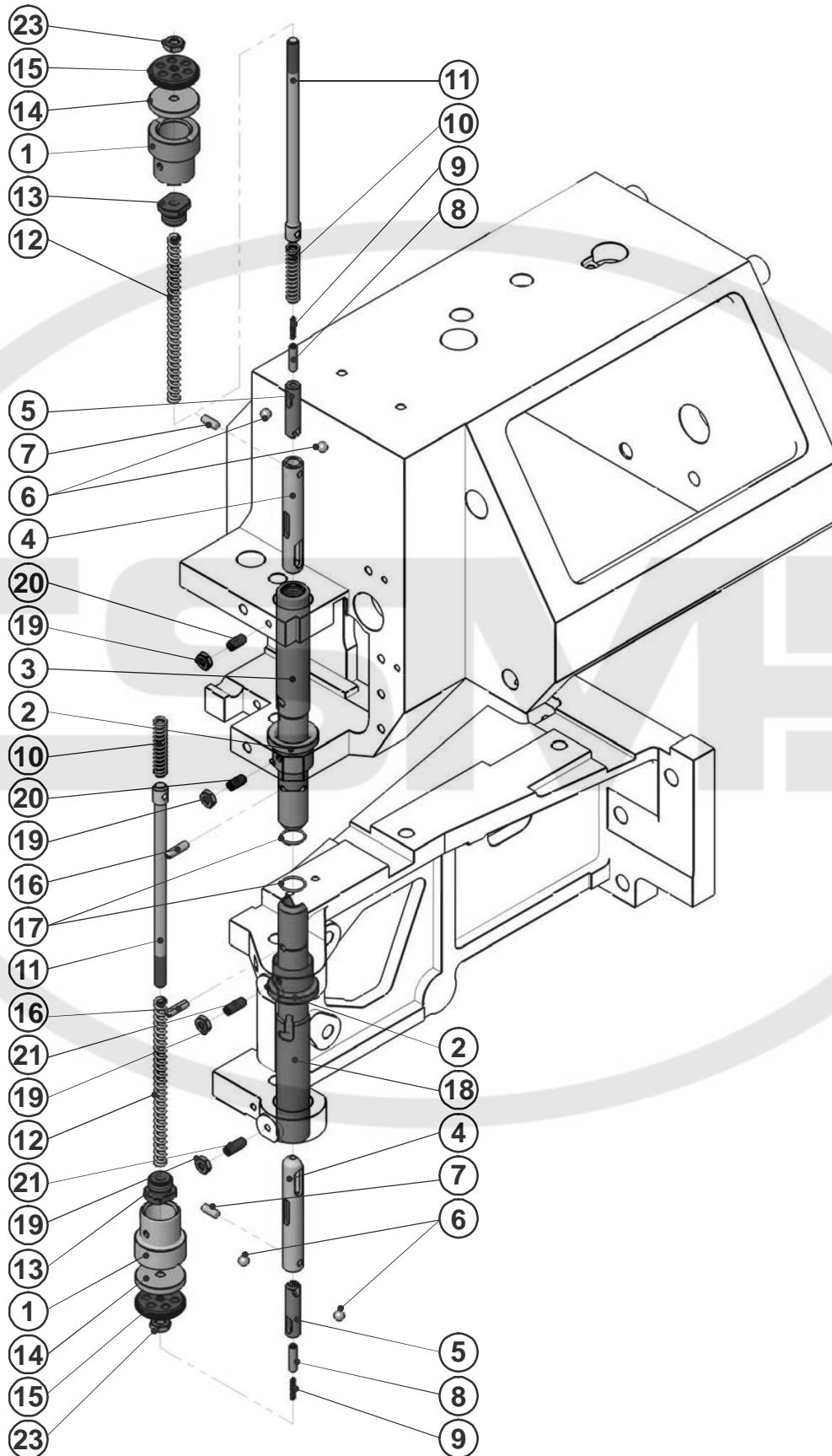
NEEDLE BAR MECHANISM LOWER AND UPPER



Revised 08/2008

E-mail: service@amfreece.cz; parts@amfreece.cz; website: www.amfreece.com
Phones: +420 582 309 146 (Service), +420 582 309 286 (Spare Parts); Fax: +420 582 360 606

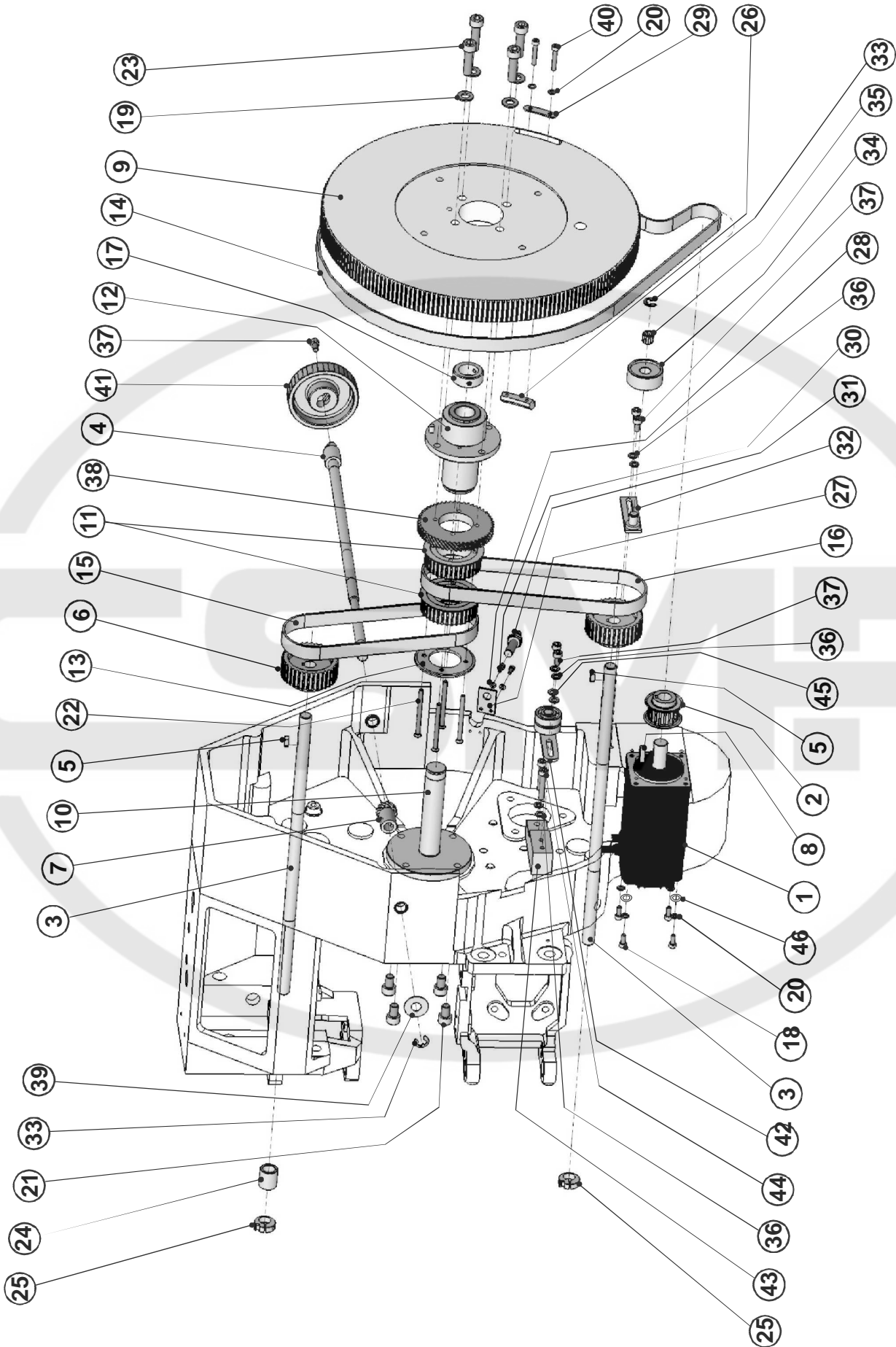
NEEDLE BAR ASSEMBLY



Revised 08/2008

E-mail: service@amfreece.cz; parts@amfreece.cz; website: www.amfreece.com
 Phones: +420 582 309 146 (Service), +420 582 309 286 (Spare Parts); Fax: +420 582 360 606

GEAR TRAIN AND MOTOR ASSEMBLY



Revised 08/2008

E-mail: service@amfreece.cz; parts@amfreece.cz; website: www.amfreece.com
Phones: +420 582 309 146 (Service), +420 582 309 286 (Spare Parts); Fax: +420 582 360 606

GEAR TRAIN AND MOTOR ASSEMBLY

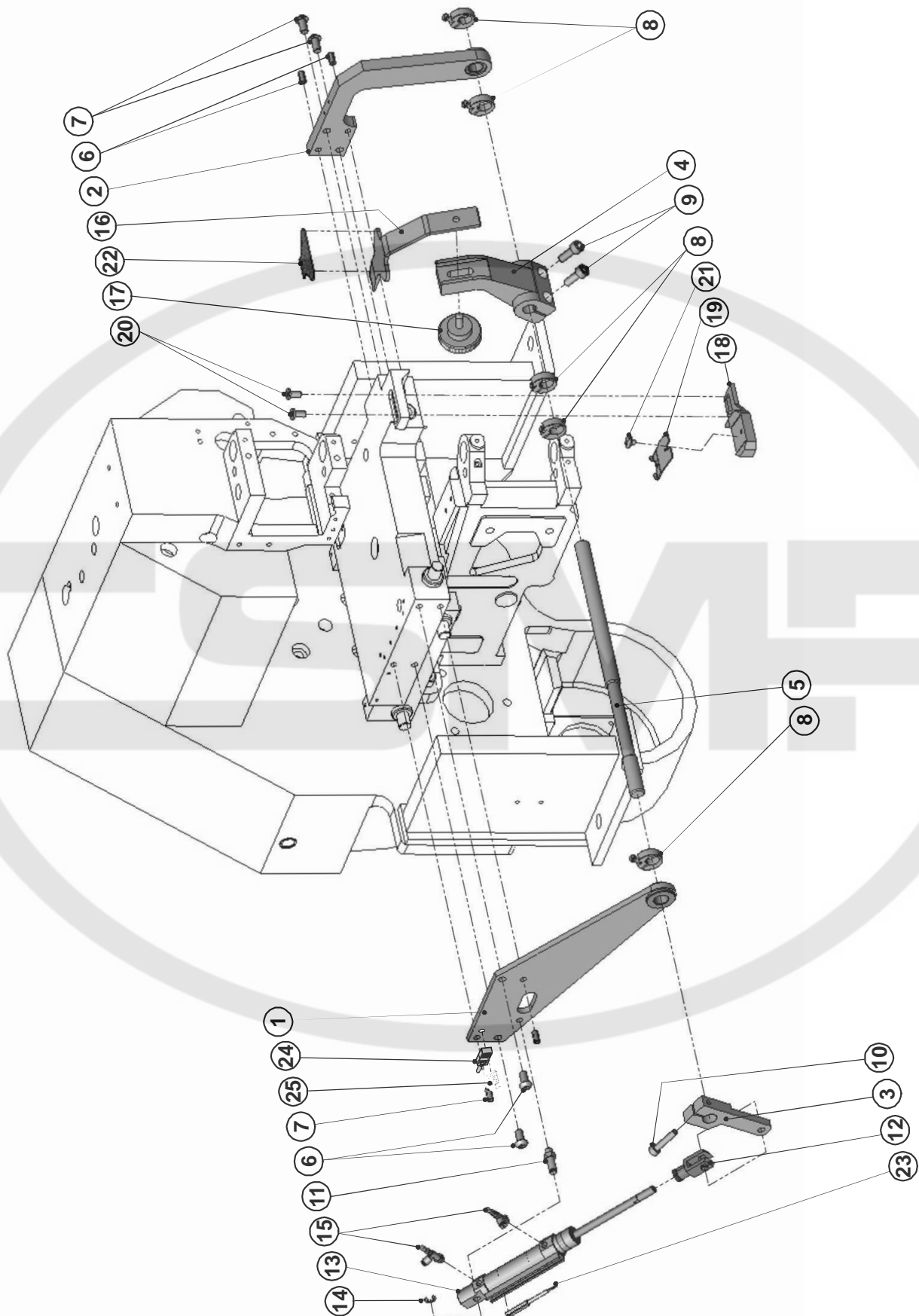
DET	PART NUMBER	DESCRIPTION	QTY.
01	06.7100.0.015	SERVO MOTOR MITSUBISHI	1
02	71.1634.1.146	PULLEY	1
03	71.1172.8.011	LOOPER SHAFT	2
04	71.1173.7.040	SHAFT	1
05	12.4030.0.412	KEY	2
06	71.1622.5.012	PULLEY	2
07	71.1622.5.025	GEAR	1
08	12.4030.0.001	KEY	1
09	71.1651.6.019	CAM - NEEDLE BAR	1
10	71.1184.6.001	DRIVE GEAR STUD	1
11	71.1179.3.001	PULLEY	2
12	71.1178.4.003	HOLDER	1
13	71.1178.4.006	WASHER	1
14	12.5050.2.017	BELT 1150 5M GT15	1
15	12.5050.2.016	BELT 460 5M GT15	1
16	12.5050.2.015	BELT 510 5M GT15	1
17	71.1178.4.007	COLLAR 20H8	1
18	08.6000.4.016	SCREW M4-16	4
19	08.6852.8.000	WASHER M8	4
20	08.6802.4.000	SPRING WASHER M4	6
21	08.6000.8.012	SCREW M8-12	4
22	08.6112.4.055	SCREW M4-55	4
23	08.6000.8.030	SCREW M8-30	4
24	71.1313.2.211	BUSHING	1
25	17.0043.6.351	COLLAR 12	2
26	71.1325.5.047	SENSOR SEGMENT	1
27	71.1223.6.103	HOLDER	1
28	08.6802.3.000	SPRING WASHER M3	2
29	71.1223.6.104	PLATE	1
30	08.6000.3.008	SCREW M3-8	2
31	12.0010.4.093	SENSOR	1
32	19.0033.8.412	TIGHTENER ROLLER	1
33	17.0027.4.085	LOCK RING 7	2
34	71.1178.4.008	ROLL	1
35	12.2050.0.007	BEARING	1
36	08.6802.5.000	SPRING WASHER M5	6
37	08.6000.5.010	SCREW M5-10	5
38	71.1178.4.004	GEAR	1
39	07.6321.0.001	BEARING PLATE	1
40	08.6000.4.025	SCREW M4-25	2
41	71.1671.2.025	HAND WHEEL	1
42	15.1128.0.050	TENSION PULLEY	1
43	71.1223.6.105	SPACER	1
44	08.6000.5.030	SCREW M5-30	2
45	08.6852.5.000	WASHER 5,3	2
46	08.6852.4.000	WASHER M4	4

Revised 11/2008

 E-mail: service@amfreece.cz; parts@amfreece.cz; website: www.amfreece.com

Phones: +420 582 309 146 (Service), +420 582 309 286 (Spare Parts); Fax: +420 582 360 606

ADJUSTABLE LIFT TONGUE

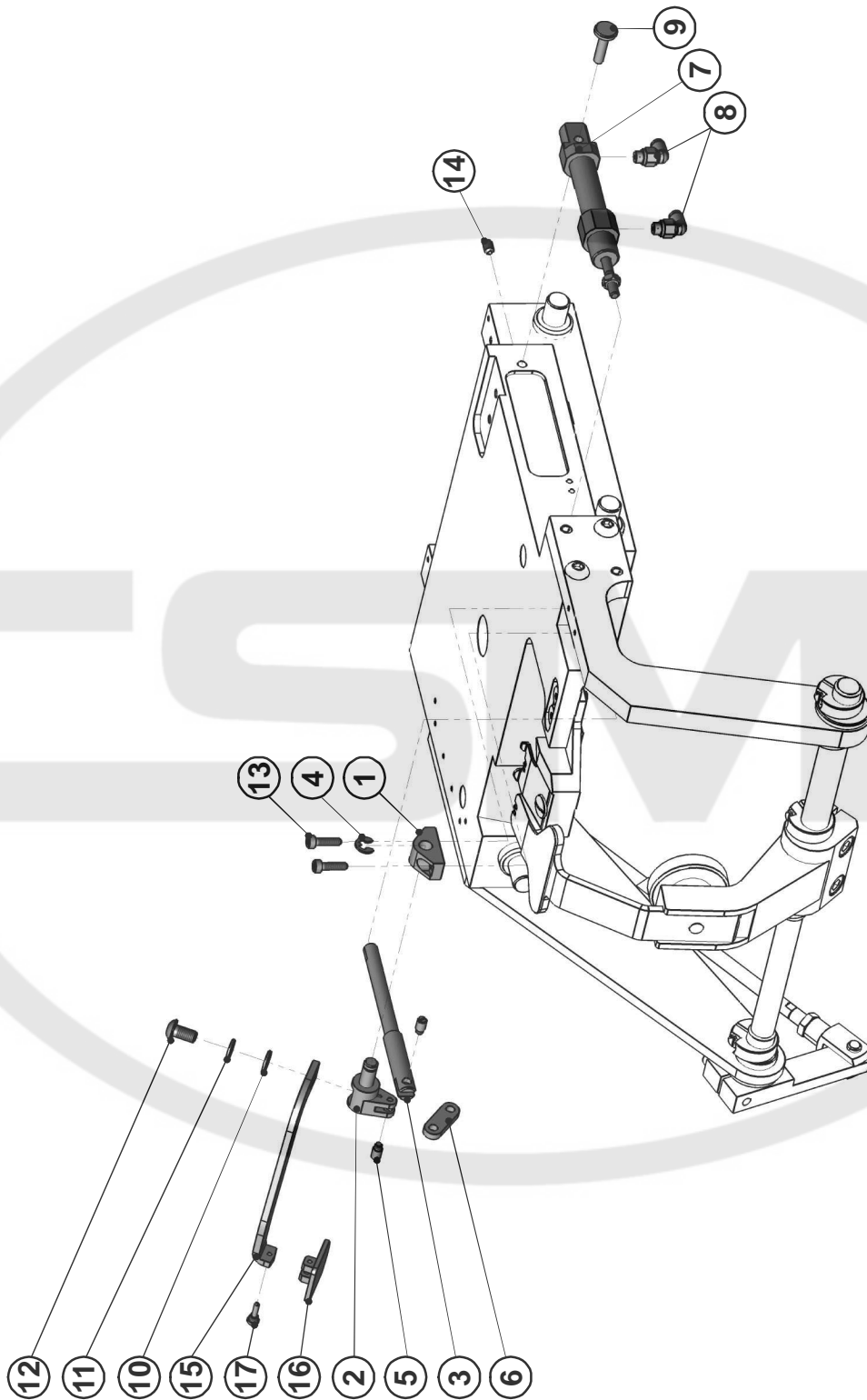


Revised 08/2008

E-mail: service@amfreece.cz; parts@amfreece.cz; website: www.amfreece.com

Phones: +420 582 309 146 (Service), +420 582 309 286 (Spare Parts); Fax: +420 582 360 606

RETAINER ASSEMBLY

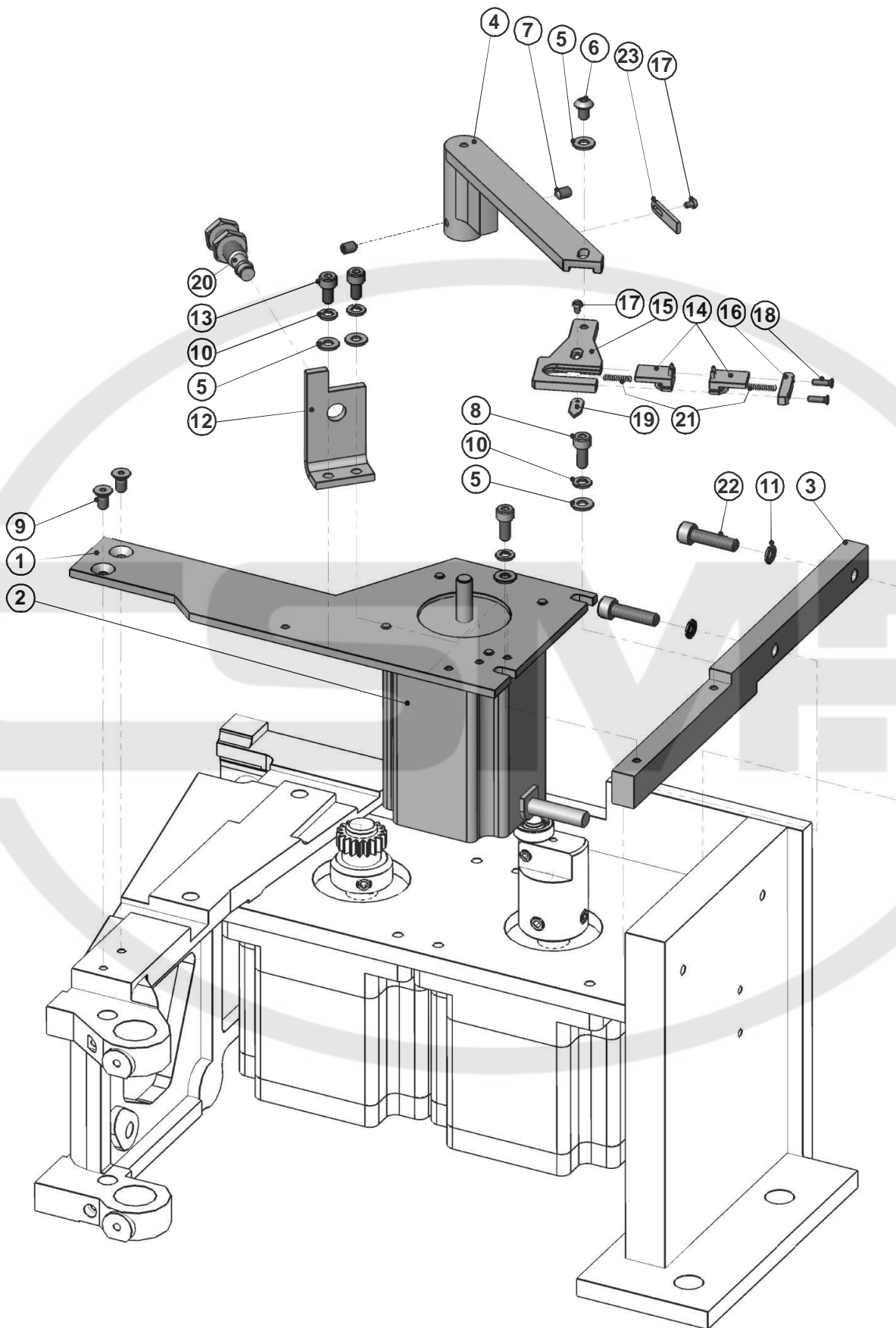


Revised 08/2008

E-mail: service@amfreece.cz; parts@amfreece.cz; website: www.amfreece.com

Phones: +420 582 309 146 (Service), +420 582 309 286 (Spare Parts); Fax: +420 582 360 606

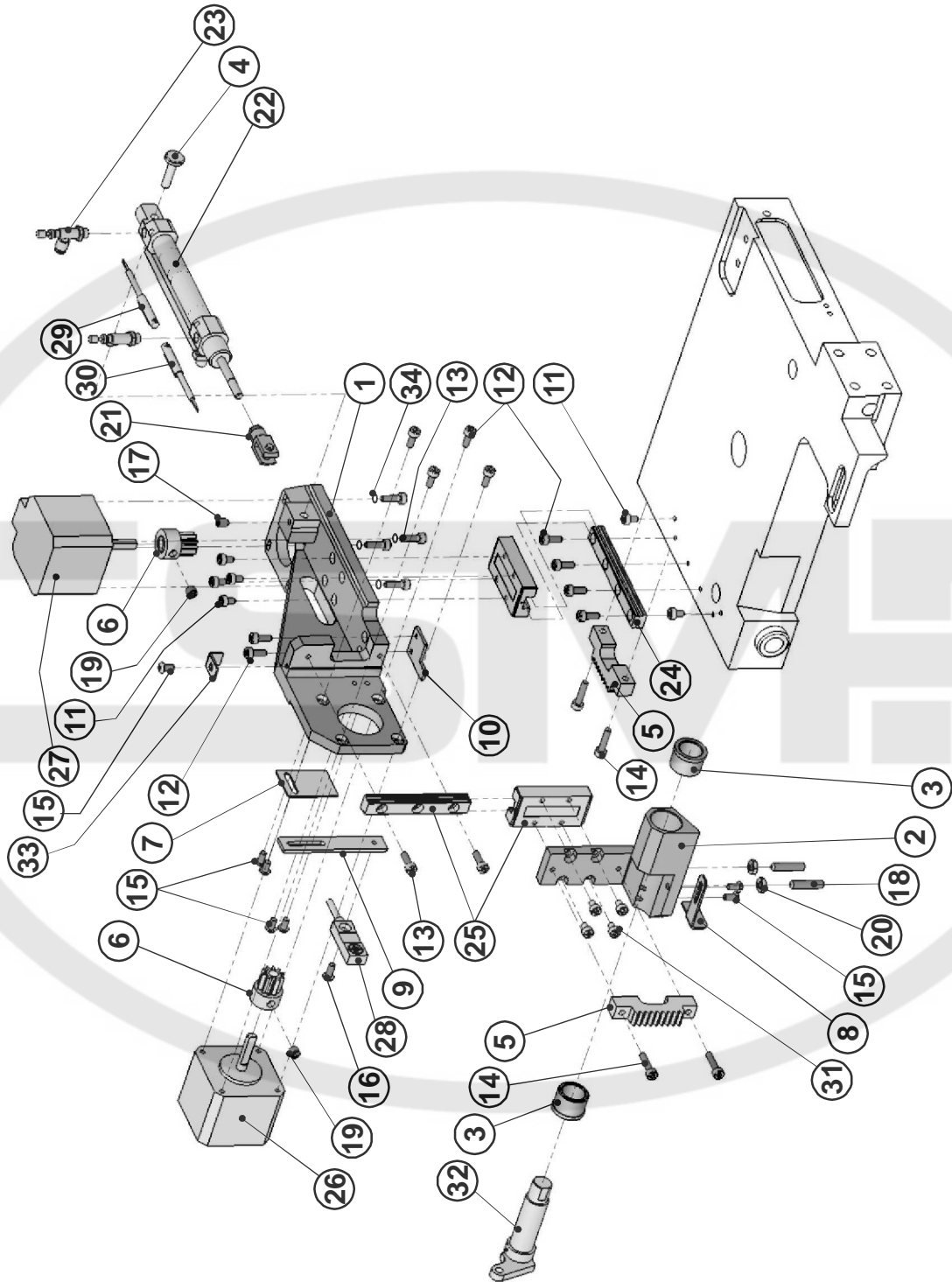
BUTTON FEED MECHANISM



Revised 08/2008

E-mail: service@amfreece.cz; parts@amfreece.cz; website: www.amfreece.com
 Phones: +420 582 309 146 (Service), +420 582 309 286 (Spare Parts); Fax: +420 582 360 606

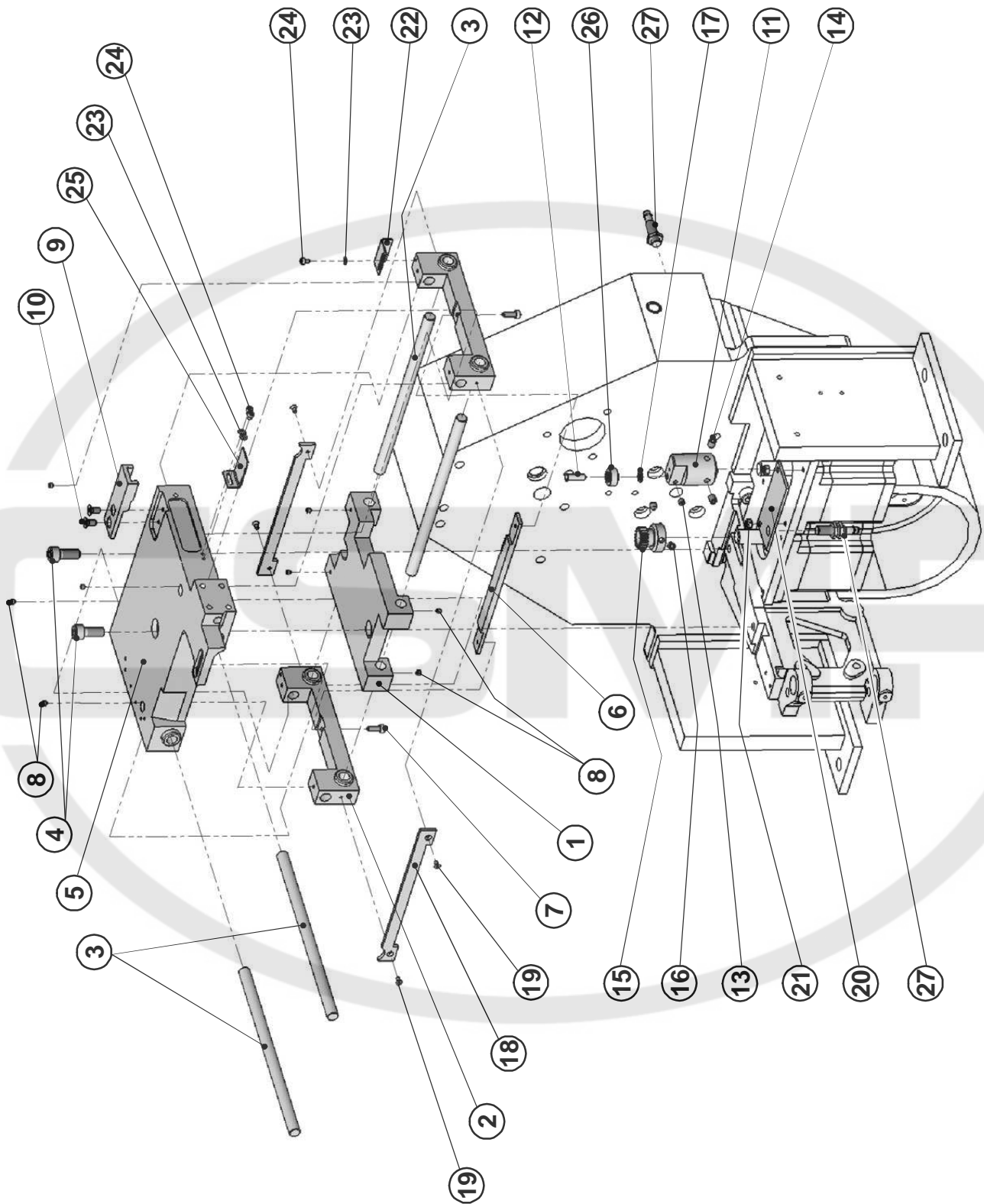
BUTTON CHUCK MECHANISM



Revised 08/2008

E-mail: service@amfreece.cz; parts@amfreece.cz; website: www.amfreece.com
Phones: +420 582 309 146 (Service), +420 582 309 286 (Spare Parts); Fax: +420 582 360 606

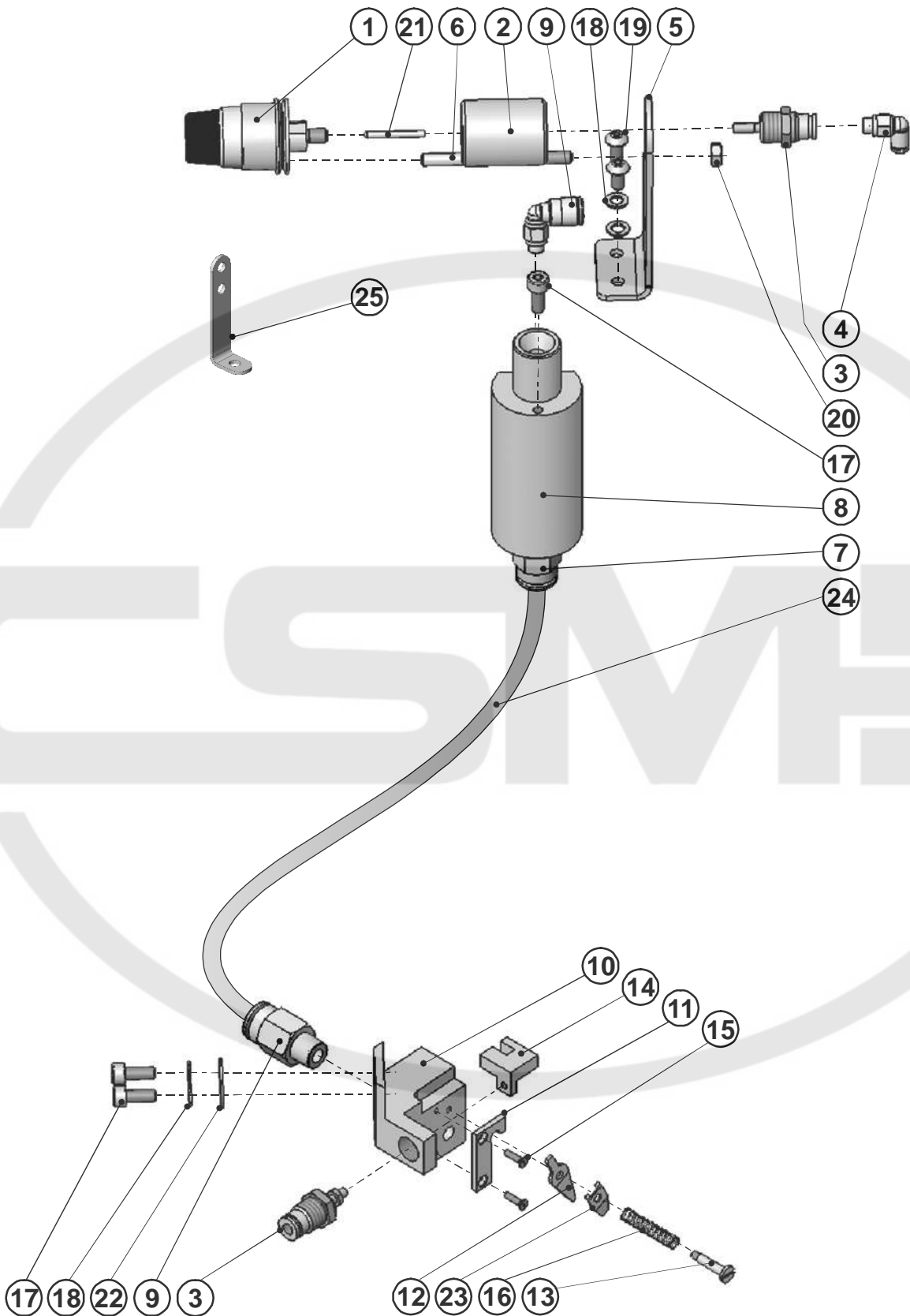
TABLE MECHANISM



Revised 08/2008

E-mail: service@amfreece.cz; parts@amfreece.cz; website: www.amfreece.com
Phones: +420 582 309 146 (Service), +420 582 309 286 (Spare Parts); Fax: +420 582 360 606

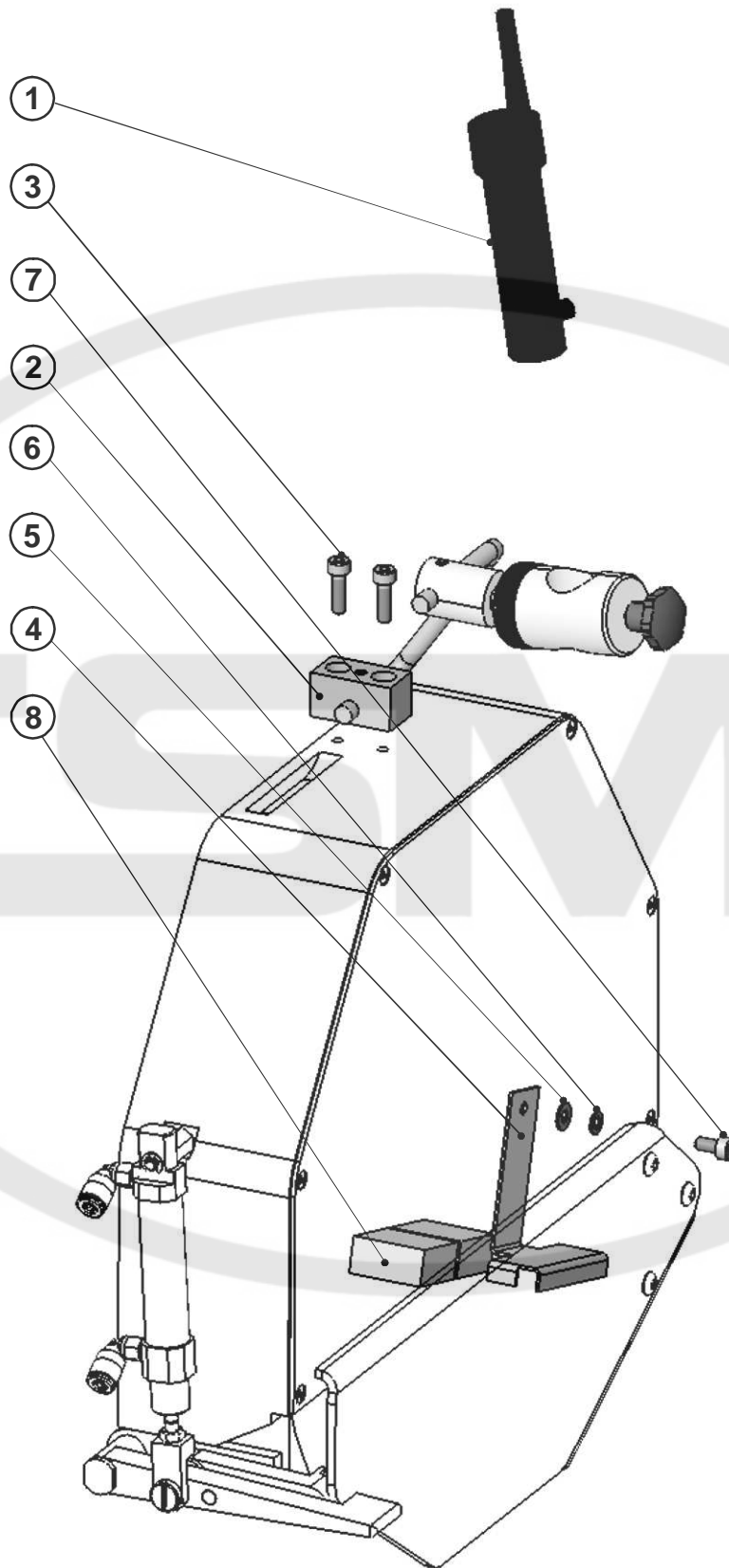
AIR THREADING



Revised 08/2008

E-mail: service@amfreece.cz; parts@amfreece.cz; website: www.amfreece.com
Phones: +420 582 309 146 (Service), +420 582 309 286 (Spare Parts); Fax: +420 582 360 606

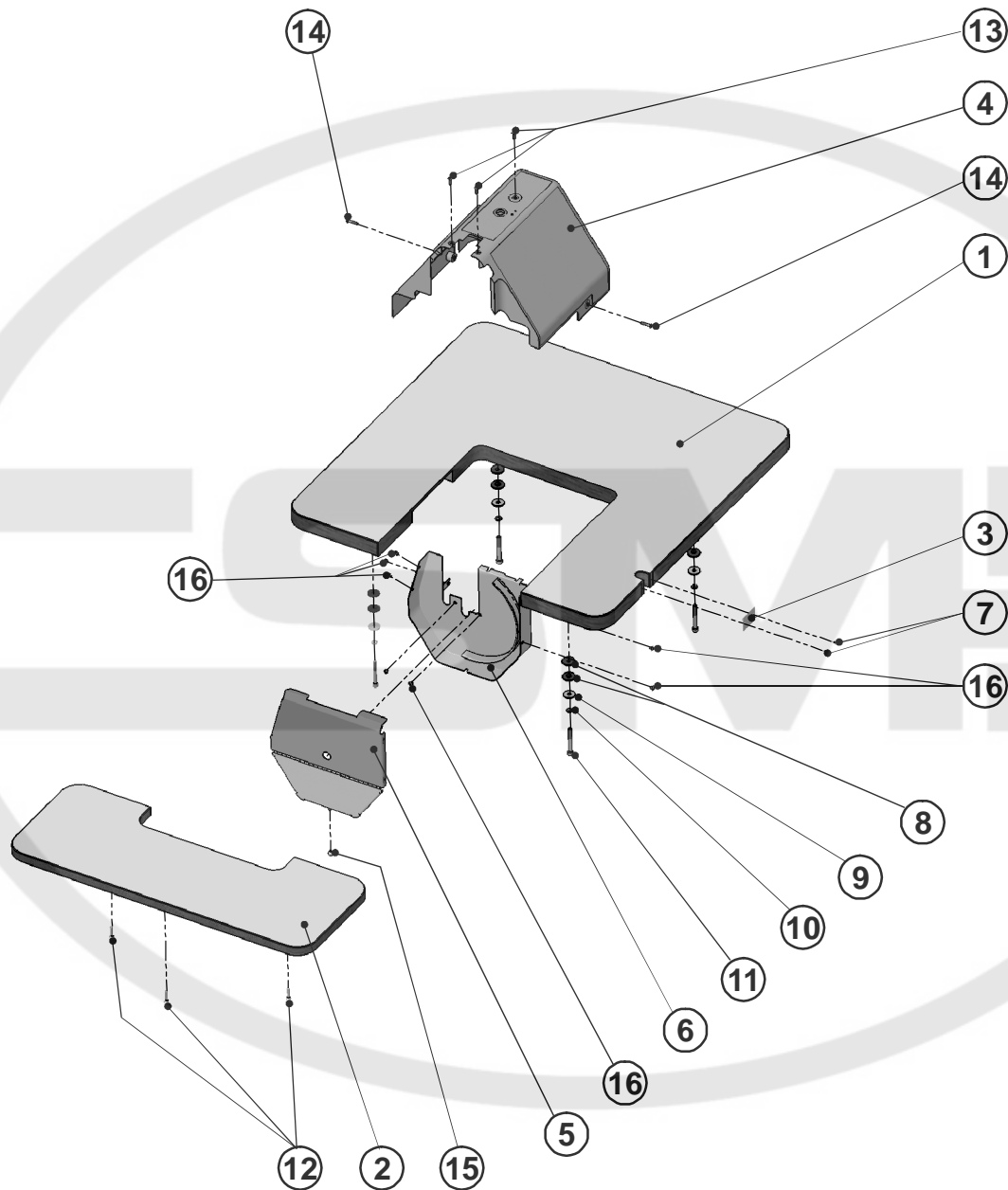
LIGHT ASSEMBLY



Revised 08/2008

E-mail: service@amfreece.cz; parts@amfreece.cz; website: www.amfreece.com
Phones: +420 582 309 146 (Service), +420 582 309 286 (Spare Parts); Fax: +420 582 360 606

COVERS AND GUARDS ASSEMBLY



Revised 08/2008

E-mail: service@amfreece.cz; parts@amfreece.cz; website: www.amfreece.com

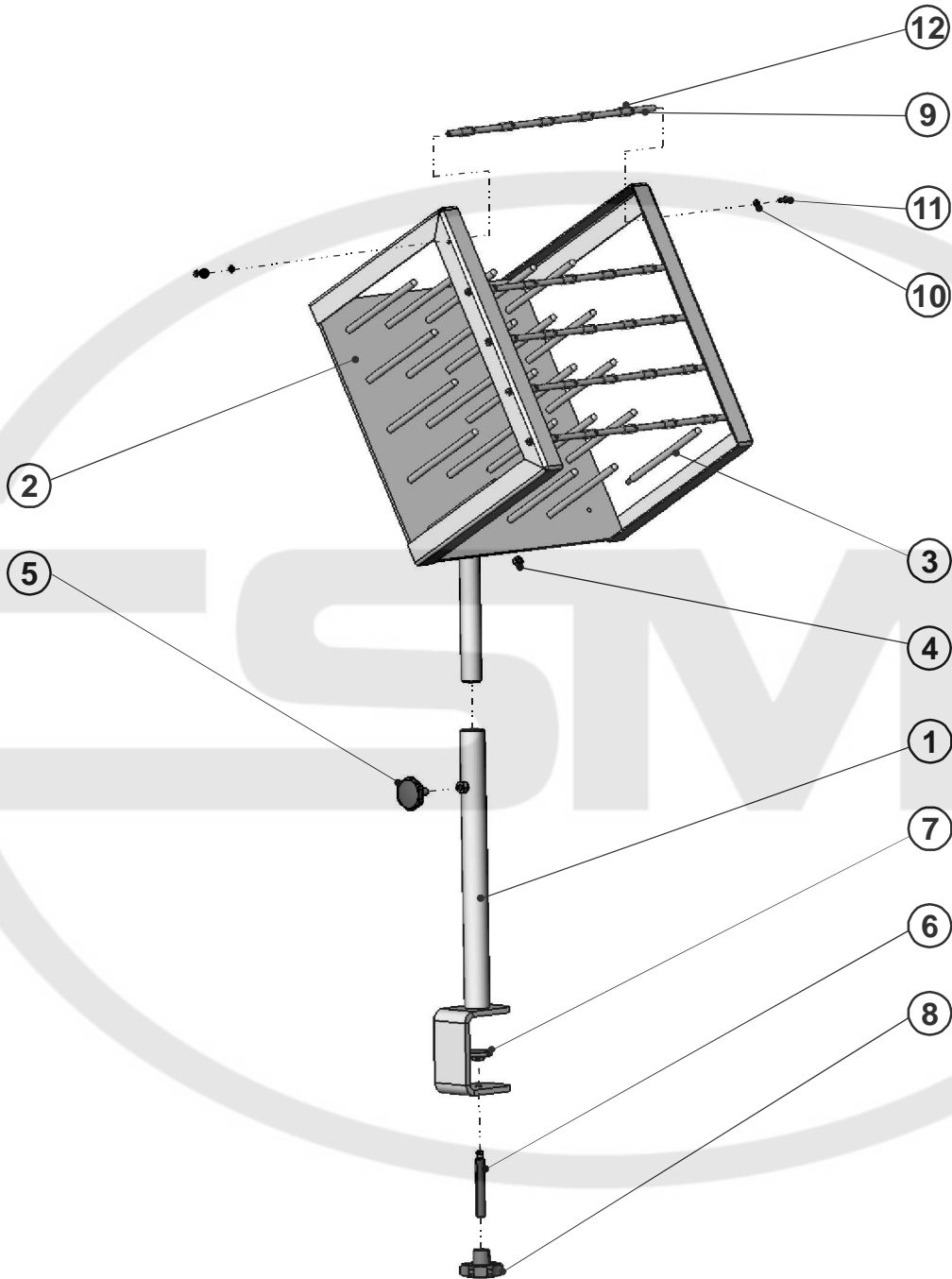
Phones: +420 582 309 146 (Service), +420 582 309 286 (Spare Parts); Fax: +420 582 360 606

COVERS AND GUARDS ASSEMBLY

DET	PART NUMBER	DESCRIPTION	QTY.
01	04.9071.0.900	TABLE TOP ASS.	1
02	04.9071.0.901	EXTENSION TABLE EBS	1
03	71.1261.3.035	PLATE	1
04	71.1570.0.020	COVER - HEAD - ASS.	1
05	71.1570.0.025	COVER - LOWER LOOPER	1
06	71.1570.0.024	COVER - LOWER LOOPER	2
07	08.6646.3.016	WOOD SCREW 3-16	2
08	17.0095.1.272	WASHER	8
09	17.0019.0.441	WASHER	4
10	08.6802.8.000	WASHER	4
11	08.6000.8.065	SCREW M 8x65	4
12	08.6100.6.030	SCREW M 6x30	3
13	08.6202.5.016	SCREW M 5x16	3
14	08.6202.5.025	SCREW M5x25	2
15	12.0008.6.979	SCREW	1
16	08.6202.5.006	SCREW M5x16	8



THREAD STAND

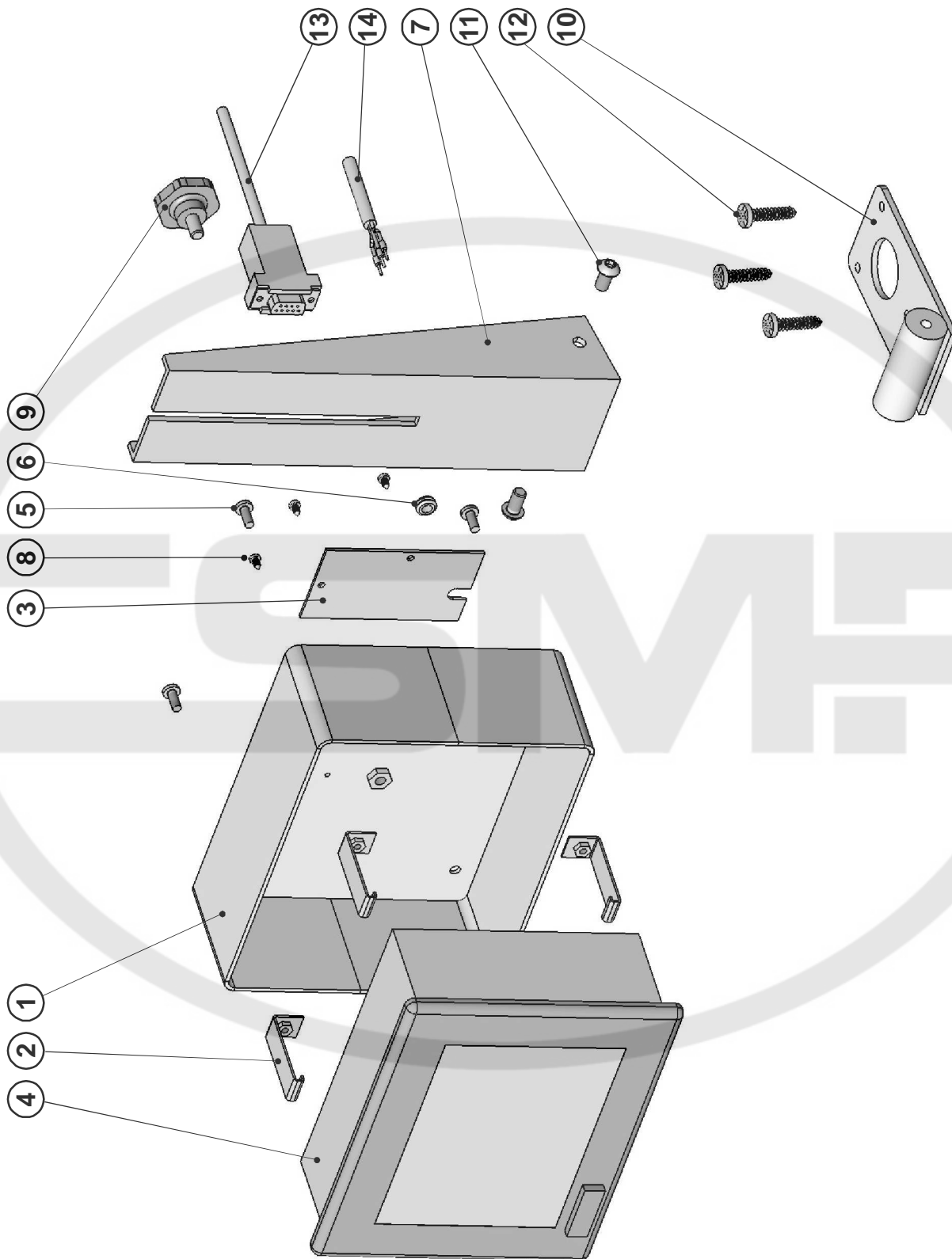


Revised 08/2008

E-mail: service@amfreece.cz; parts@amfreece.cz; website: www.amfreece.com

Phones: +420 582 309 146 (Service), +420 582 309 286 (Spare Parts); Fax: +420 582 360 606

PANEL KIT GOT 1000



Revised 08/2008

E-mail: service@amfreece.cz; parts@amfreece.cz; website: www.amfreece.com
Phones: +420 582 309 146 (Service), +420 582 309 286 (Spare Parts); Fax: +420 582 360 606

PANEL KIT GOT 1000

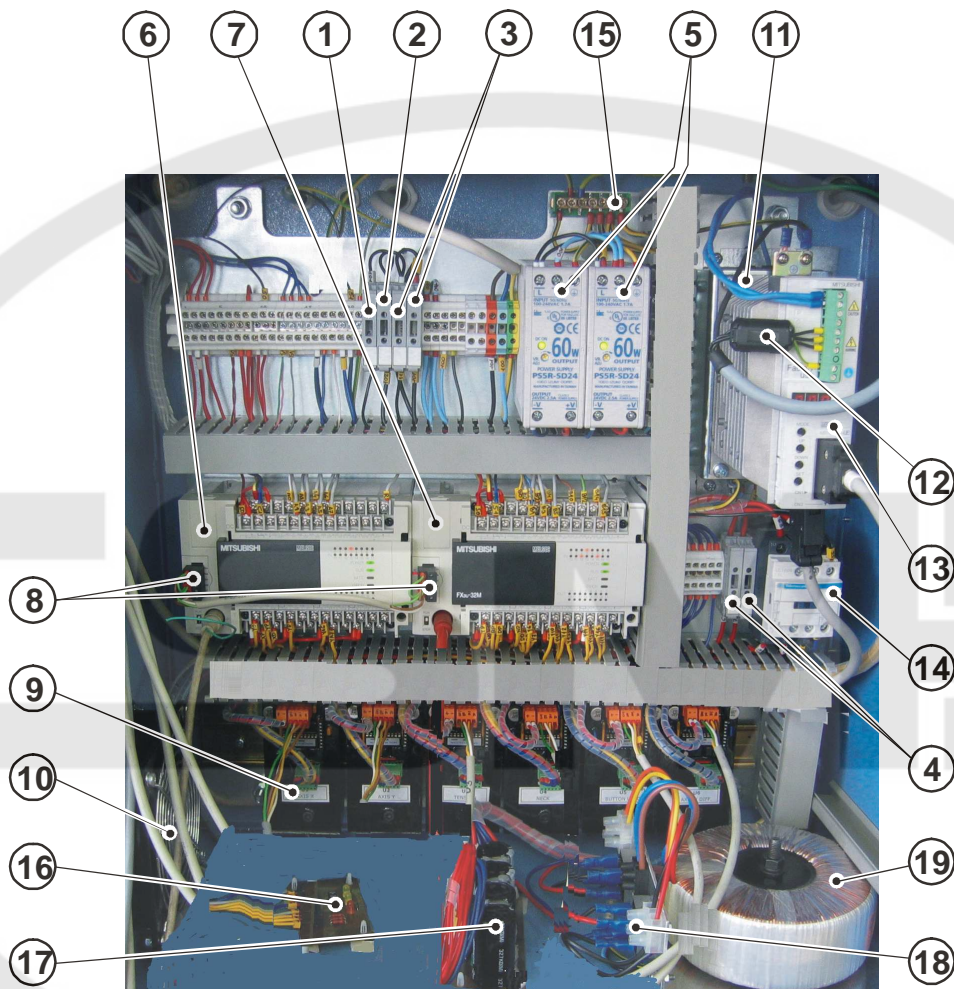
DET	PART NUMBER	DESCRIPTION	QTY.
01	71.1451.7.080	PANEL COVER GOT 1000	1
02	71.1451.7.081	PANEL HOLDER GOT 1000	4
03	24.0161.0.000	COVERS	1
04	71.8001.0.003	DISPLAY GT1155-QSBD	1
05	08.6032.4.010	SCREW M4-10	4
06	12.0008.4.581	BUSHING	1
07	19.0083.7.002	PANEL STAND	1
08	08.6662.3.0006	SCREW	3
09	19.0014.7.003	SCREW-PANEL	1
10	19.0005.0.013	PANEL STAND BASE	1
11	08.6202.6.012	SCREW M6-12 DIN 7380	2
12	08.6663.5.025	SCREW	3
13	12.0008.4.821	DISPLAY CABLE FX-50DU-CABO-1M	1
14	06.7100.0.041	CABLE DISPLAY POWER	1
15	12.0008.4.140	SPIRAL HOSE	0,5M

Revised 11/2008

E-mail: service@amfreece.cz; parts@amfreece.cz; website: www.amfreece.com

Phones: +420 582 309 146 (Service), +420 582 309 286 (Spare Parts); Fax: +420 582 360 606

ELECTROBOX

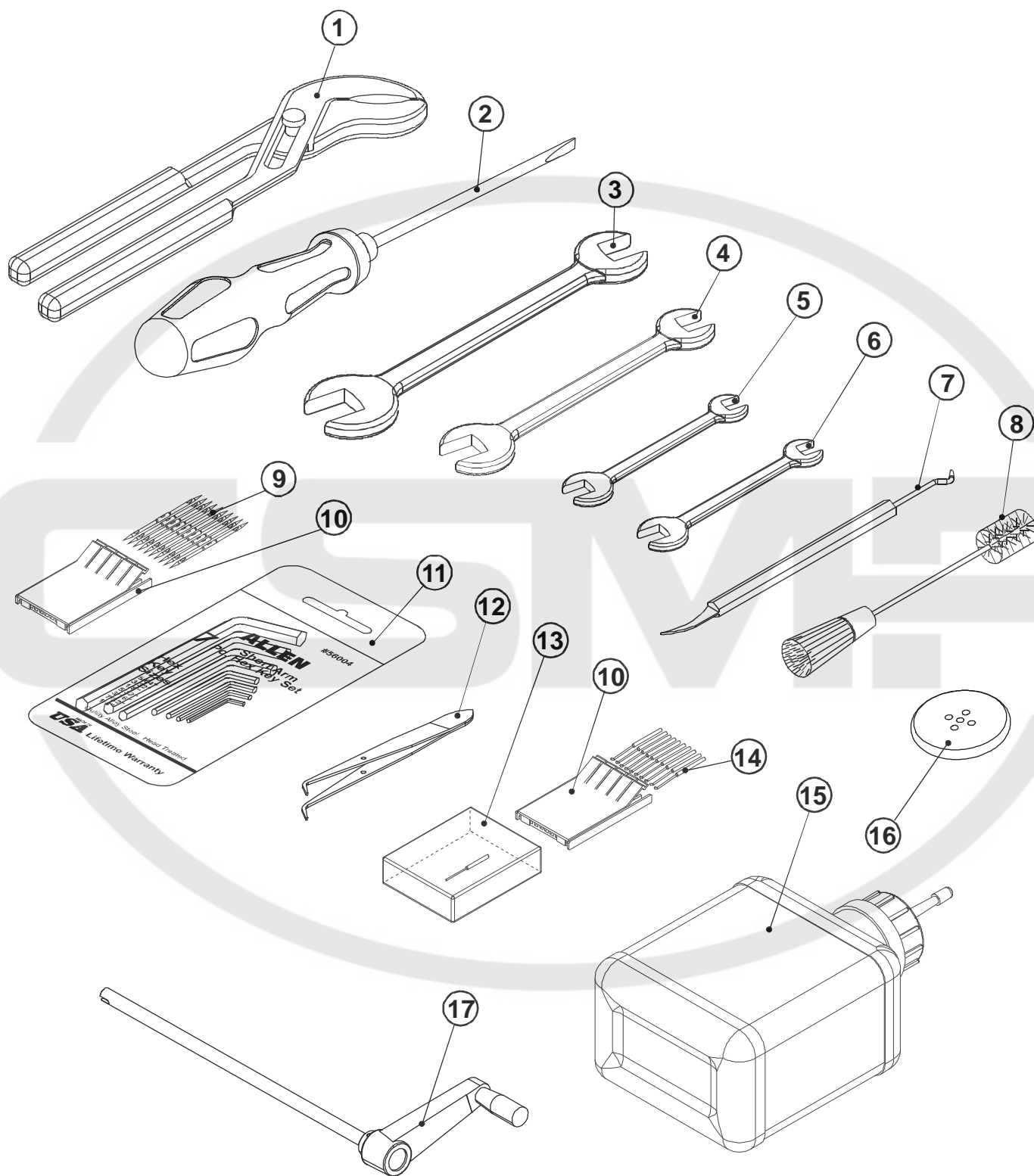


Revised 11/2008

E-mail: service@amfreece.cz; parts@amfreece.cz; website: www.amfreece.com

Phones: +420 582 309 146 (Service), +420 582 309 286 (Spare Parts); Fax: +420 582 360 606

ACCESSORIES



Revised 08/2008

E-mail: service@amfreece.cz; parts@amfreece.cz; website: www.amfreece.com
Phones: +420 582 309 146 (Service), +420 582 309 286 (Spare Parts); Fax: +420 582 360 606

ACCESSORIES

DET	PART NUMBER	DESCRIPTION	QTY.
01	26913005	PLIERS	1
02	17.0008.6.005	SCREWDRIVER	1
03	03.0018.0.000	WRENCH 3/8 X 5/16"	1
04	12.0008.6.108	WRENCH 11 - 12	1
05	12.0008.6.109	WRENCH 8 - 10	1
06	12.0008.6.111	WRENCH 5,5-7	1
07	49910018	CLEANER	1
08	12.0008.6.975	PERK BRUSCH	1
09	00200038	NEEDLE	10
10	12.0008.6.968	BOX NEEDLE SHORT	2
11	84.0003.0.390	METRIC ALLENKEY	1
12	12.0008.6.215	TWEEZERS PFAFF	10
13		BOX	1
14	37213001	NEEDLE THREADER	1
15	05.0090.1.000	OIL CAN	1
16	71.1143.1.086	GAGE	1
17	71.1319.2.002	HAND CRANK	1

Revised 11/2008

E-mail: service@amfreece.cz; parts@amfreece.cz; website: www.amfreece.com

Phones: +420 582 309 146 (Service), +420 582 309 286 (Spare Parts); Fax: +420 582 360 606

ACCESSORIES SPECIAL



Revised 11/2008

E-mail: service@amfreece.cz; parts@amfreece.cz; website: www.amfreece.com
Phones: +420 582 309 146 (Service), +420 582 309 286 (Spare Parts); Fax: +420 582 360 606

ACCESSORIES SPECIAL

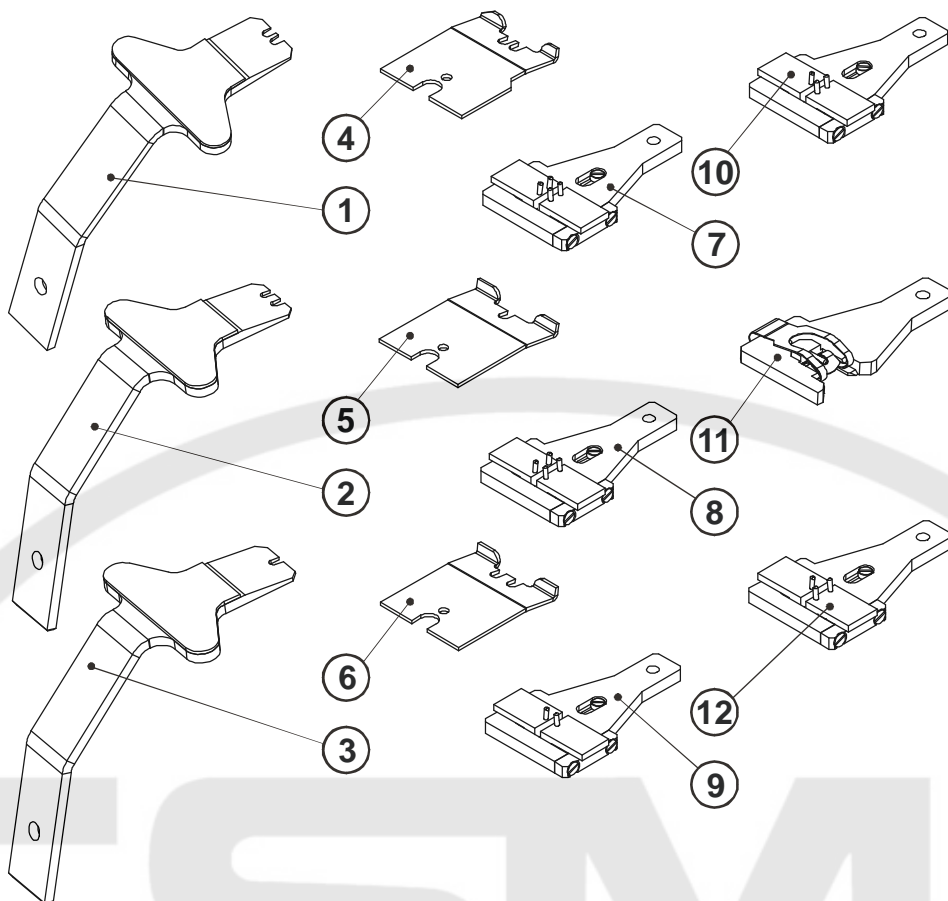
DET	PART NUMBER	DESCRIPTION	QTY.
		ACCESSORIES SPECIAL	1

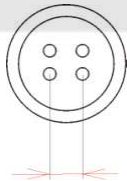
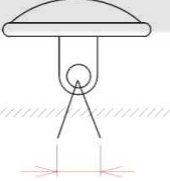
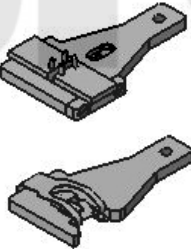
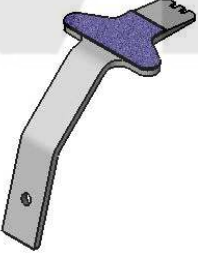

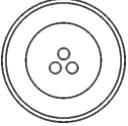
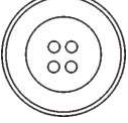
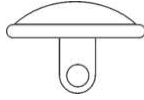
Revised 11/2008

E-mail: service@amfreece.cz; parts@amfreece.cz; website: www.amfreece.com

Phones: +420 582 309 146 (Service), +420 582 309 286 (Spare Parts); Fax: +420 582 360 606

STANDARD ACCESSORIES HOLDERS



Button Type	Hole/ Stitch Spacing (mm)	Button Holder	Tongue	Pucker Pin
				
	3,0-4,5 mm	03.5571.0.016	03.5571.0.010	34538016
	4,5-6,0 mm	03.5571.0.018	03.5571.0.011	71.1453.8.021
	3,0-4,5 mm	03.5571.0.013	03.5571.0.010	34538016
	4,5-6,0 mm	03.5571.0.014	03.5571.0.011	71.1453.8.021
	0 mm	03.5571.0.017	03.5571.0.012	71.1453.8.020
	3,0-4,5 mm		03.5571.0.010	34538016
	4,5-6,0 mm		03.5571.0.011	71.1453.8.021

Revised 11/2008

E-mail: service@amfreece.cz; parts@amfreece.cz; website: www.amfreece.com
Phones: +420 582 309 146 (Service), +420 582 309 286 (Spare Parts); Fax: +420 582 360 606

INDEX

PART NUMBER	PAGE	DET	QTY	PART NUMBER	PAGE	DET	QTY	PART NUMBER	PAGE	DET	QTY
00200038				04.9071.0.901	3-35	02	1	08.6000.5.012	3-7	21	2
00200038	3-17	22	1	05.0043.1.000	3-31	25	1	08.6000.5.016	3-11	14	4
00200038	3-43	09	10	05.0090.1.000	3-43	15	1	08.6000.5.020	3-25	22	2
22965006	3-17	06	4					08.6000.5.020	3-29	31	6
24971069	3-5	06	1	06.7100.0.010				08.6000.5.022	3-5	07	1
24971495	3-11	20	1	06.7100.0.010	3-29	28	2	08.6000.5.025	3-29	30	2
26913005	3-43	01	1	06.7100.0.011	3-11	28	1	08.6000.5.030	3-7	31	2
				06.7100.0.012	3-27	26	1	08.6000.5.030	3-19	44	2
31111009				06.7100.0.013	3-25	02	1	08.6000.5.030	3-21	10	1
31111009	3-17	07	2	06.7100.0.014	3-27	27	1	08.6000.6.016	3-21	09	2
31264001	3-17	16	2	06.7100.0.015	3-19	01	1	08.6000.6.020	3-11	07	2
31412001	3-17	14	2	06.7100.0.016	3-11	29	1	08.6000.8.012	3-19	21	4
31413002	3-9	08	2	06.7100.0.023	3-27	28	1	08.6000.8.020	3-15	08	9
31566008	3-17	05	2	06.7100.0.024	3-21	24	1	08.6000.8.020	3-29	04	2
31593007	3-17	15	2	06.7100.0.029	3-7	45	1	08.6000.8.030	3-19	23	4
31674025	3-17	11	2	06.7100.0.030	3-21	23	1	08.6000.8.050	3-3	22	4
31695011	3-17	13	2	06.7100.0.031	3-27	29	1	08.6000.8.065	3-3	20	4
31697002	3-17	18	1	06.7100.0.032	3-27	30	1	08.6000.8.065	3-35	11	4
31697003	3-17	03	1	06.7100.0.041	3-39	14	1	08.6012.2.003	3-25	17	1
31815017	3-9	09	2	06.7100.0.045	3-41	05	2	08.6012.3.008	3-37	11	10
34538016	3-21	19	1	06.7100.0.045	3-41	15	1	08.6017.8.016	3-15	17	1
34538016	3-47	04	1	07.6321.0.001	3-19	39	1	08.6032.3.035	3-13	16	2
34973041	3-13	11	1					08.6032.4.010	3-39	05	4
35131002	3-17	17	2	08.6000.0.025				08.6050.5.010	3-21	20	2
35511071	3-17	04	2	08.6000.0.025	3-3	13	4	08.6100.3.006	3-29	19	4
36341035	3-9	07	2	08.6000.0.030	3-3	28	4	08.6100.3.008	3-7	17	9
36523021	3-17	01	2	08.6000.3.005	3-13	17	1	08.6100.3.008	3-11	23	1
36523022	3-17	02	2	08.6000.3.005	3-27	11	6	08.6100.3.008	3-21	25	1
36531010	3-17	09	2	08.6000.3.005	3-27	31	4	08.6100.4.008	3-11	06	2
36532021	3-17	12	2	08.6000.3.005	3-29	24	3	08.6100.4.008	3-25	09	2
36532022	3-17	10	2	08.6000.3.008	3-19	30	2	08.6100.4.012	3-7	23	2
36771021	3-17	08	2	08.6000.3.008	3-27	12	11	08.6100.5.008	3-9	05	4
37213001	3-7	16	1	08.6000.3.010	3-27	13	6	08.6100.5.010	3-29	10	2
37213001	3-43	14	1	08.6000.3.012	3-13	14	2	08.6100.6.030	3-35	12	3
49910018	3-43	07	1	08.6000.3.012	3-23	13	2	08.6102.2.008	3-25	18	2
				08.6000.3.014	3-27	14	4	08.6102.2.008	3-31	15	2
01.5018.0.000				08.6000.4.008	3-3	25	12	08.6112.4.055	3-19	22	4
01.5018.0.000	3-31	16	1	08.6000.4.008	3-11	05	2				
03.0018.0.000	3-43	03	1	08.6000.4.008	3-25	13	2	08.6200.3.006			
03.5571.0.010	3-47	01	1	08.6000.4.008	3-33	07	1	08.6200.3.006	3-13	10	4
03.5571.0.011	3-47	02	1	08.6000.4.010	3-11	22	4	08.6200.3.006	3-27	15	7
03.5571.0.012	3-47	03	1	08.6000.4.010	3-25	08	6	08.6200.3.008	3-27	16	1
03.5571.0.013	3-47	07	1	08.6000.4.010	3-31	17	3	08.6200.4.006	3-25	06	1
03.5571.0.014	3-47	08	1	08.6000.4.012	3-29	07	2	08.6200.5.008	3-7	26	4
03.5571.0.015	3-47	09	1	08.6000.4.015	3-33	03	2	08.6200.5.010	3-23	12	1
03.5571.0.016	3-47	10	1	08.6000.4.016	3-19	18	4	08.6202.4.008	3-7	25	3
03.5571.0.017	3-47	11	1	08.6000.4.020	3-7	36	2	08.6202.4.008	3-31	19	2
03.5571.0.018	3-47	12	1	08.6000.4.025	3-19	40	2	08.6202.5.006	3-35	16	8
04.9071.0.000	3-3	07	1	08.6000.5.010	3-19	37	5	08.6202.5.016	3-35	13	3
04.9071.0.900	3-35	01	1	08.6000.5.012	3-3	15	2	08.6202.5.025	3-35	14	2

Revised 11/2008

e-mail: service@amfreece.cz; parts@amfreece.cz; website: www.amfreece.com

Phones: +420 582 309 146 (Service), +420 582 309 286 (Spare Parts); Fax: +420 582 360 606

INDEX

PART NUMBER	PAGE	DET	QTY	PART NUMBER	PAGE	DET	QTY	PART NUMBER	PAGE	DET	QTY
08.6202.6.012	3-21	07	4	08.6802.4.000	3-11	21	4	12.0008.3.815	3-27	23	2
08.6202.6.012	3-39	11	2	08.6802.4.000	3-19	20	6	12.0008.4.063	3-41	01	1
08.6400.3.005	3-13	08	1	08.6802.4.000	3-25	10	8	12.0008.4.109	3-41	02	1
08.6400.4.005	3-5	05	2	08.6802.4.000	3-31	18	4	12.0008.4.140	3-39	15	0,5M
08.6400.4.005	3-7	20	3	08.6802.4.000	3-33	06	1	12.0008.4.581	3-39	06	1
08.6400.4.005	3-11	09	1	08.6802.5.000	3-11	13	4	12.0008.4.664	3-41	03	2
08.6400.4.005	3-13	15	2	08.6802.5.000	3-19	36	6	12.0008.4.664	3-41	04	2
08.6400.4.005	3-29	08	8	08.6802.5.000	3-23	11	1	12.0008.4.682	3-41	10	1
08.6400.4.006	3-15	14	4	08.6802.5.000	3-25	11	2	12.0008.4.744	3-41	11	1
08.6400.4.006	3-23	14	1	08.6802.6.000	3-11	25	2	12.0008.4.745	3-41	12	1
08.6400.4.006	3-25	07	2	08.6802.8.000	3-3	19	8	12.0008.4.770	3-41	18	2
08.6400.4.006	3-27	17	1	08.6802.8.000	3-15	16	2	12.0008.4.821	3-39	13	1
08.6400.4.018	3-27	18	2	08.6802.8.000	3-35	10	4	12.0008.4.833	3-41	14	1
08.6400.5.005	3-27	19	2	08.6825.5.000	3-11	26	2	12.0008.4.898	3-41	09	6
08.6400.5.005	3-29	13	1	08.6852.0.000	3-3	26	8	12.0008.6.108	3-43	04	1
08.6400.6.006	3-15	09	4	08.6852.3.000	3-27	34	4	12.0008.6.109	3-43	05	1
08.6400.6.006	3-29	16	2	08.6852.3.000	3-29	23	3	12.0008.6.111	3-43	06	1
08.6400.6.008	3-29	14	2	08.6852.4.000	3-19	46	4	12.0008.6.215	3-43	12	10
08.6420.3.005	3-13	09	2	08.6852.4.000	3-25	05	5	12.0008.6.228	3-7	18	1
08.6420.4.010	3-17	20	2	08.6852.4.000	3-31	22	2	12.0008.6.229	3-37	07	1
08.6420.4.012	3-17	21	2	08.6852.4.000	3-33	05	1	12.0008.6.520	3-3	09	4
08.6432.0.200	3-15	06	1	08.6852.5.000	3-19	45	2	12.0008.6.523	3-3	10	4
08.6490.8.060	3-37	06	1	08.6852.5.000	3-23	10	1	12.0008.6.524	3-3	11	4
				08.6852.5.000	3-29	17	1	12.0008.6.968	3-43	10	2
08.6646.3.016				08.6852.8.000	3-3	23	4	12.0008.6.975	3-43	08	1
08.6646.3.016	3-35	07	2	08.6852.8.000	3-19	19	4	12.0008.6.979	3-35	15	1
08.6662.3.006	3-39	08	3	08.6200.3.008	3-13	21	1	12.0008.6.993	3-37	08	1
08.6663.5.025	3-39	12	3	10.1010.3.000	3-31	21	1	12.0008.8.809	3-31	04	1
08.6700.3.000	3-13	20	1								
08.6702.4.000	3-7	19	1	12.0008.3.410				12.0010.4.007			
08.6702.4.000	3-31	20	1	12.0008.3.410	3-23	07	1	12.0010.4.007	3-41	19	1
08.6702.5.000	3-5	04	1	12.0008.3.411	3-31	09	1	12.0010.4.025	3-9	12	1
08.6702.5.000	3-11	27	2	12.0008.3.413	3-31	03	2	12.0010.4.036	3-33	08	1
08.6702.5.000	3-29	21	2	12.0008.3.421	3-31	07	2	12.0010.4.051	3-33	02	1
08.6702.5.000	3-37	04	25	12.0008.3.431	3-31	24	1	12.0010.4.093	3-19	31	1
08.6702.6.000	3-11	18	2	12.0008.3.609	3-7	32	1	12.0010.4.093	3-25	20	1
08.6702.8.000	3-3	21	8	12.0008.3.631	3-13	12	1	12.0010.4.093	3-29	27	2
08.6710.4.000	3-7	37	1	12.0008.3.700	3-11	11	1	12.0010.4.115	3-33	01	1
08.6710.5.000	3-17	23	2	12.0008.3.735	3-7	33	1	12.0010.4.119	3-41	08	2
08.6712.4.000	3-17	19	4	12.0008.3.738	3-27	21	1	12.0010.4.134	3-41	16	1
08.6712.4.000	3-27	20	2	12.0008.3.765	3-5	09	1	12.0010.4.136	3-41	17	1
08.6712.9.000	3-3	12	4	12.0008.3.806	3-7	44	1	12.1010.0.004	3-3	14	2
08.6722.6.000	3-11	15	1	12.0008.3.806	3-21	12	1	12.1010.0.045	3-3	33	1
				12.0008.3.807	3-27	22	1	12.1010.0.820	3-3	16	2
08.6800.5.000				12.0008.3.808	3-21	13	1	12.1010.2.019	3-11	08	1
08.6800.5.000	3-29	29	8	12.0008.3.809	3-5	08	1	12.1010.2.020	3-7	22	1
08.6802.0.000	3-3	27	4	12.0008.3.809	3-13	18	2	12.1014.0.510	3-21	06	4
08.6802.3.000	3-19	28	2	12.0008.3.809	3-23	08	2	12.1045.0.003	3-7	28	1
08.6802.3.000	3-37	10	10	12.0008.3.815	3-7	30	4	12.1045.0.004	3-7	27	1
08.6802.4.000	3-3	24	12	12.0008.3.815	3-21	15	2	12.1045.0.004	3-21	14	1

Revised 11/2008

e-mail: service@amfreece.cz; parts@amfreece.cz; website: www.amfreece.com

INDEX

PART NUMBER	PAGE	DET	QTY	PART NUMBER	PAGE	DET	QTY	PART NUMBER	PAGE	DET	QTY
12.1045.0.004	3-23	04	1	71.1142.2.047	3-29	12	1	71.1241.8.085	3-7	35	1
12.2050.0.007	3-19	35	1	71.1143.1.086	3-43	16	1	71.1242.8.036	3-7	02	1
12.2070.1.001	3-27	24	1	71.1151.1.005	3-31	13	1	71.1253.8.027	3-3	02	1
12.2070.1.002	3-27	25	1	71.1151.1.054	3-37	03	25	71.1261.3.035	3-35	03	1
12.2099.2.000	3-15	07	2	71.1159.3.013	3-11	19	1	71.1273.5.093	3-29	18	2
12.3010.0.009	3-7	39	1	71.1161.1.071	3-23	05	2	71.1273.9.139	3-7	09	1
12.3010.0.017	3-25	21	2	71.1161.1.072	3-23	06	1	71.1273.9.139	3-21	11	1
12.4030.0.001	3-19	08	1	71.1164.1.041	3-13	06	1	71.1276.6.056	3-29	09	1
12.4030.0.412	3-19	05	2	71.1164.2.016	3-23	02	1	71.1276.9.191	3-25	01	1
12.5050.2.015	3-19	16	1	71.1169.6.006	3-21	17	1				
12.5050.2.016	3-19	15	1	71.1171.4.016	3-25	14-2	2	71.1313.2.211			
12.5050.2.017	3-19	14	1	71.1171.4.017	3-25	14-1	2	71.1313.2.211	3-19	24	1
15.1128.0.050	3-19	42	1	71.1171.4.019	3-25	14-3	2	71.1319.2.002	3-43	17	1
				71.1172.3.007	3-15	03	2	71.1319.2.003	3-3	32	1
17.0008.6.005				71.1172.8.011	3-19	03	2	71.1321.1.038	3-5	01	1
17.0008.6.005	3-43	02	1	71.1173.7.040	3-19	04	1	71.1325.1.016	3-29	05	1
17.0012.4.106	3-21	21	1	71.1174.1.012	3-7	14	1	71.1325.1.076	3-25	15	1
17.0017.2.041	3-7	38	1	71.1174.1.015	3-7	13	1	71.1325.1.077	3-25	16	1
17.0019.0.441	3-3	29	8	71.1174.3.004	3-9	06	2	71.1325.1.078	3-25	19	1
17.0019.0.441	3-35	09	4	71.1175.4.011	3-13	19	1	71.1325.2.045	3-9	01	2
17.0027.4.085	3-19	33	2	71.1177.2.035	3-15	13	2	71.1325.2.056	3-11	01	1
17.0043.6.351	3-19	25	2	71.1178.4.003	3-19	12	1	71.1325.5.045	3-29	22	1
17.0043.6.351	3-21	08	5	71.1178.4.004	3-19	38	1	71.1325.5.045	3-29	25	1
17.0045.1.062	3-15	10	2	71.1178.4.006	3-19	13	1	71.1325.5.047	3-19	26	1
17.0095.1.272	3-3	18	12	71.1178.4.007	3-19	17	1	71.1325.5.048	3-11	30	1
17.0095.1.272	3-35	08	8	71.1178.4.008	3-19	34	1	71.1325.5.049	3-27	07	1
17.0095.1.273	3-3	08	4	71.1179.3.001	3-19	11	2	71.1325.5.050	3-27	08	1
				71.1182.3.001	3-29	06	1	71.1325.5.051	3-27	09	1
19.0005.0.013				71.1184.6.001	3-19	10	1	71.1325.5.052	3-27	10	1
19.0005.0.013	3-39	10	1	71.1184.8.019	3-29	03	4	71.1325.5.053	3-9	11	1
19.0014.7.003	3-37	05	1	71.1187.2.017	3-25	04	1	71.1325.5.054	3-27	33	1
19.0014.7.003	3-39	09	1	71.1187.4.023	3-5	02	1	71.1325.5.055	3-25	23	1
19.0033.8.412	3-19	32	1	71.1195.5.015	3-7	12	1	71.1332.4.001	3-11	03	1
19.0055.1.401	3-29	15	1					71.1344.1.002	3-15	11	1
19.0082.3.433	3-3	17	3	71.1222.3.057				71.1344.1.003	3-15	12	1
19.0083.7.002	3-39	07	1	71.1222.3.057	3-11	04	1	71.1345.5.006	3-23	03	1
				71.1222.6.011	3-29	01	1	71.1451.5.050	3-3	30	1
22.0182.0.000				71.1223.6.100	3-3	03	1	71.1451.5.096	3-11	10	1
22.0182.0.000	3-7	29	1	71.1223.6.101	3-3	04	1	71.1451.5.108	3-33	04	1
23.2044.0.050	3-31	01	1	71.1223.6.102	3-29	20	1	71.1451.7.080	3-39	01	1
24.0161.0.000	3-39	03	1	71.1223.6.103	3-19	27	1	71.1451.7.081	3-39	02	4
24.2076.0.000	3-23	17	1	71.1223.6.104	3-19	29	1	71.1453.8.020	3-47	05	1
				71.1223.6.105	3-19	43	1	71.1453.8.021	3-47	06	1
71.1001.4.460				71.1225.5.042	3-5	03	1	71.1458.7.002	3-37	01	1
71.1001.4.460	3-21	22	1	71.1225.5.042	3-23	09	1	71.1458.7.003	3-37	02	1
71.1001.4.461	3-23	18	1	71.1225.5.042	3-27	04	1	71.1463.5.017	3-9	02	2
71.1121.1.011	3-13	07	2	71.1237.2.075	3-27	01	1	71.1488.1.006	3-7	42	1
71.1129.1.026	3-21	05	1	71.1237.2.076	3-23	01	1				
71.1129.1.029	3-11	17	1	71.1241.8.083	3-7	01	1	71.1515.1.043			
71.1135.2.006	3-11	12	1	71.1241.8.084	3-7	34	1	71.1515.1.043	3-9	10	2

Revised 11/2008

e-mail: service@amfreece.cz; parts@amfreece.cz; website: www.amfreece.com

Phones: +420 582 309 146 (Service), +420 582 309 286 (Spare Parts); Fax: +420 582 360 606

INDEX

PART NUMBER	PAGE	DET	QTY	PART NUMBER	PAGE	DET	QTY	PART NUMBER	PAGE	DET	QTY
71.1546.1.029	3-31	02	1	71.1666.1.026	3-13	02	1				
71.1546.1.030	3-31	05	1	71.1666.6.006	3-29	02	2				
71.1546.1.031	3-31	06	1	71.1666.6.007	3-29	11	1				
71.1552.1.048	3-15	01	2	71.1666.6.008	3-29	26	1				
71.1552.1.049	3-15	05	1	71.1669.1.014	3-15	02	2				
71.1552.1.070	3-15	15	1	71.1671.2.025	3-19	41	1				
71.1552.8.008	3-27	02	1	71.1677.0.005	3-11	16	2				
71.1554.1.065	3-13	01	1								
71.1557.4.044	3-7	04	1	71.1712.4.211							
71.1565.3.031	3-3	05	1	71.1712.4.211	3-31	08	1				
71.1565.3.032	3-3	06	1	71.1712.4.212	3-31	10	1				
71.1570.0.020	3-35	04	1	71.1719.2.001	3-3	31	1				
71.1570.0.024	3-35	06	2	71.1721.1.110	3-23	15	1				
71.1570.0.025	3-35	05	1	71.1721.1.111	3-23	16	1				
71.1570.0.032	3-7	24	1	71.1721.1.134	3-11	24	1				
71.1577.8.058	3-13	03	1	71.1723.1.023	3-9	04	2				
71.1586.1.017	3-7	08	1	71.1784.1.033	3-13	05	1				
71.1587.6.007	3-7	03	1	71.1784.1.034	3-13	04	1				
71.1622.5.012	3-19	06	2	71.1784.1.040	3-31	14	1				
71.1622.5.025	3-19	07	1	71.6132.1.017	3-3	01	1				
71.1634.0.012	3-27	06	2	71.8001.0.001	3-41	06	1				
71.1634.1.146	3-19	02	1	71.8001.0.002	3-41	07	1				
71.1635.8.068	3-13	13	1	71.8001.0.003	3-39	04	1				
71.1651.6.019	3-19	09	1	71.8001.0.004	3-41	13	1				
71.1651.8.030	3-15	04	2	84.0003.0.390	3-43	11	1				
71.1651.8.070	3-27	05	2								
71.1651.8.074	3-27	03	2								
71.1651.8.076	3-27	32	1								
71.1651.8.084	3-15	18	1								
71.1652.0.004	3-25	03	1								
71.1652.0.006	3-25	12	1								
71.1661.1.101	3-11	02	1								
71.1661.1.104	3-31	11	1								
71.1661.1.105	3-31	12	1								
71.1661.1.106	3-31	23	1								
71.1661.1.107	3-37	09	5								
71.1661.1.108	3-37	12	25								
71.1661.8.041	3-7	10	1								
71.1661.8.044	3-7	43	1								
71.1663.1.027	3-7	05	1								
71.1663.1.029	3-7	06	1								
71.1664.1.014	3-7	11	1								
71.1664.1.017	3-7	15	1								
71.1664.1.018	3-7	07	1								
71.1664.1.077	3-21	16	1								
71.1664.1.079	3-21	04	1								
71.1664.1.084	3-21	18	1								
71.1664.1.201	3-21	01	1								
71.1664.1.202	3-21	02	1								
71.1665.1.016	3-21	03	1								

Revised 11/2008

e-mail: service@amfreece.cz; parts@amfreece.cz; website: www.amfreece.com