




<i>Manufacturer</i>	GHIDINI BENVENUTO s.r.l.
<i>Product</i>	PRESS -PL 04
<i>Year</i>	2003
<i>Certification</i>	

INDEX

1	INTRODUCTION	10	WARNINGS
2	GENERAL DESCRIPTION	11	DIMENSIONS AND SCHEMES
3	IDENTIFICATION OF THE MACHINE	12	MAINTENANCE OPERATIONS
4	TECHNICAL DATA	13	DISCHARGE
5	COMPONENTS	14	SPARE PARTS ORDER
6	PACKING AND INSTALLATION	15	MOVING AND TRANSPORT
7	OPERATING INSTRUCTIONS	16	WARRANTY
8	PROBLEMS AND SOLUTIONS	17	CONFORMITY CERTIFICATE
9	PRECAUTIONS		

1 INTRODUCTION

These operating and maintenance instructions refer to the press "PL 04".

It is possible to obtain the last version of the present instructions requiring it to the Sale and Technical Department or visiting our web site [web www.ghidini-gb.it](http://www.ghidini-gb.it).

This manual contains important instructions for the health safety and security of the operators. Read attentively and keep it carefully to be always at the disposal of the operators.

Ghidini s.r.l. cannot be held liable for any damage to things or injury to persons caused by an improper use of the machine in contrast with these instructions.

Any eventual modification or different use of the machine must be previously authorized through a written document by Ghidini s.r.l. otherwise the manufacturer can be considered free even from the guarantee bond.

2 GENERAL DESCRIPTION

The PL 04 press is an innovative equipment to finish all kinds of chamois and leather clothes, even eliminating imperfections caused by previous treatments.

The machine must be connected to external electric and compressed air supplies to operate.

It is complete with a wide board (plateau) with covers in PTFE.

PL 04 is an easy and efficient instrument of work, because its operation is controlled by pedal. On the frontal control panel it is possible to adjust pressure, temperature and working time.

3 IDENTIFICATION OF THE MACHINE

On the back side of the machine a metal rating plate quotes the model, serial number, the year of construction and electrical feeding.

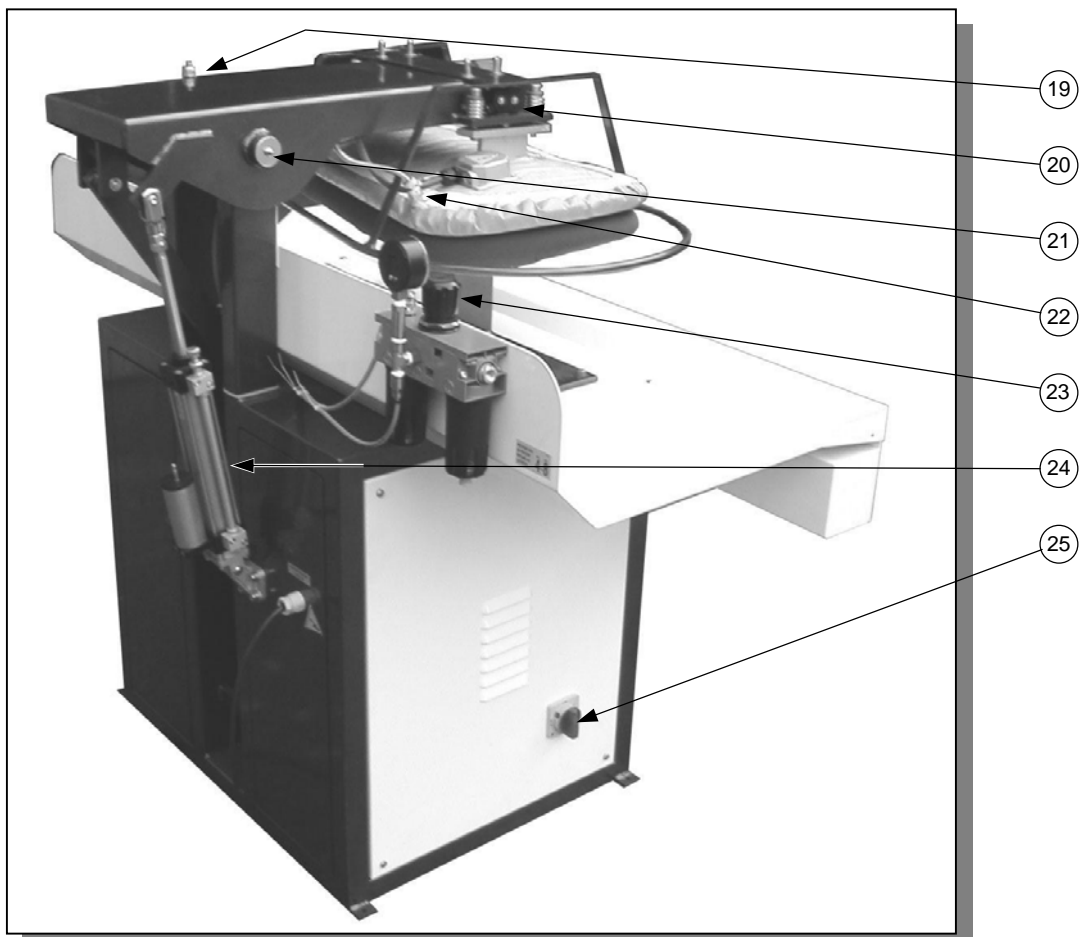
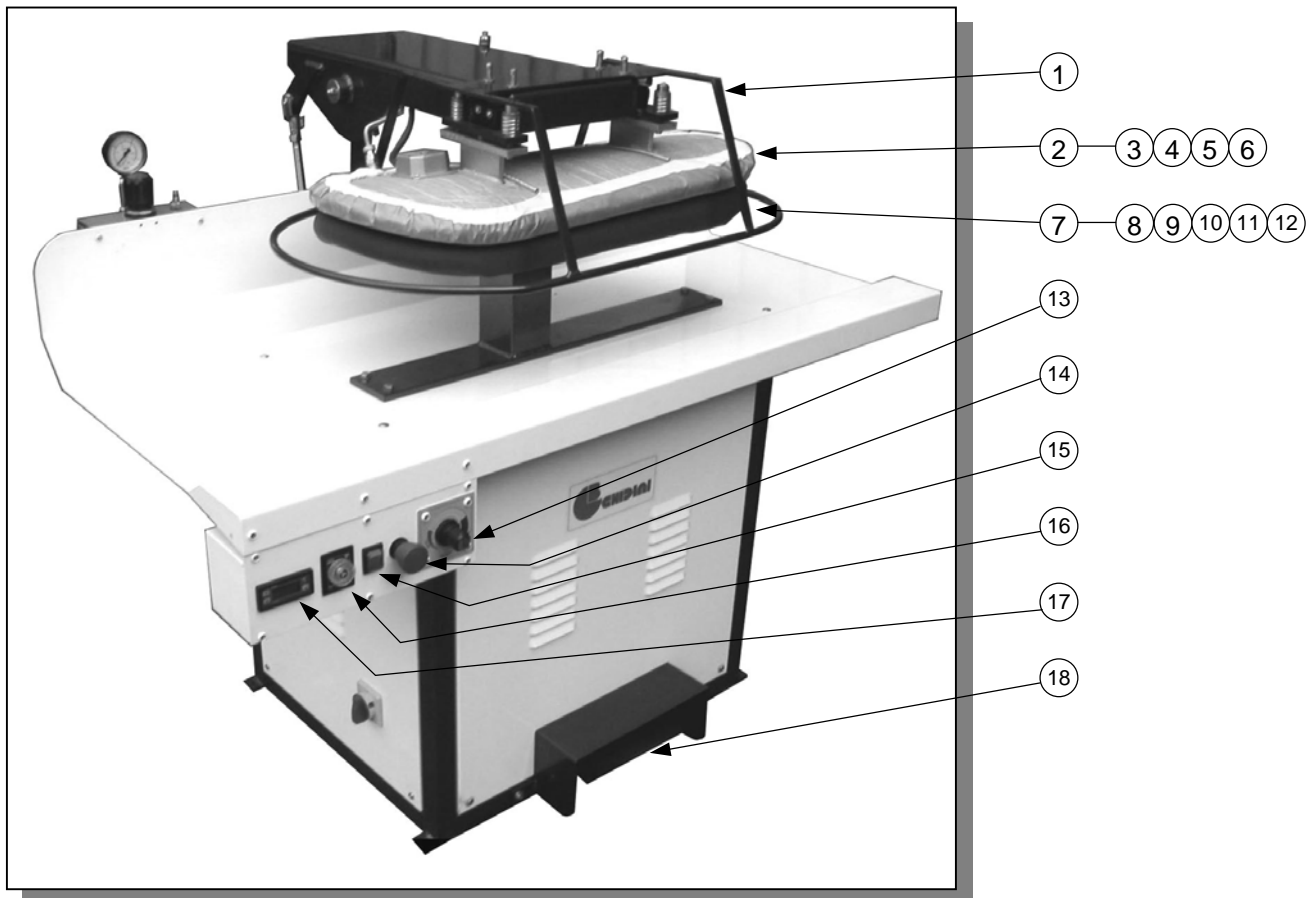
4 TECHNICAL DATA

TECHNICAL DATA	
Electrical feeding	230V – 1ph / 50 Hz
Electrical consumption	2,5 KW
Compressed air feeding	6 bar min. – 10 bar max.
Air working pressure	5 bar
Air consumption	40 NI/min
Sound pressure level	< 70 dB(A)
Working temperature	+ 5 ÷ + 80 °C
Operating humidity	90 % max.
Stocking temperature	- 20 ÷ + 50 °C
Dimensions	1380 x 880 x 1560 mm.
Net weight	198 Kg
Overall dimensions (with packing)	1440 x 1100 x 1410 mm
Gross weight (with packing)	278 Kg

ATTENTION: Check that the supply voltage corresponds to that indicated on the previous scheme.

5 COMPONENTS

The main parts of the machine are:



Pos.	CODE	DESCRIPTION	Pos.	CODE	DESCRIPTION
1	173227	Safety ring	14	43B004	Safety stop button
2	22D003	Upper board cover	15	43A034	Switch
3	22D004	Cover – Fluorgas	16	44F012	Timer
4	185107	Upper aluminium plate	17	44F013	Thermoregulator
5	213110	Heating element	18	174061	Pedal protection
6	164416	Upper board	19	185105	Fork for upper board block
7	274218	Layer	20	43D011	Microswitch for hands protection
8	22D005	Canvas	21	60B007	Bearing shaft
9	274219	Sponge rubber for PL 04	22	49E002	Thermic feeler
10	274220	Molan for PL 04	23	35B014	Air treatment group
11	274221	Complete lower cover	24	880060	Hydraulic brake with regulator
12	185106	Lower aluminium plate	25	43A038	General switch
13	35B016	Pressure regulator			

6 PACKING AND INSTALLATION

ATTENTION: The unit must be installed, opened and repaired by fully qualified technicians only.

6.1 UNPACKING

Find the most suitable place where to put the machine, then remove it from the packing and check that it is intact. The packing materials do not need special precautions to discharge, for they are not dangerous or polluting. Look at the local rules in force to discharge them.

6.2 INSTALLATION

The machine does not need to be anchored to the floor, except for installation on self-moving means, where it is necessary to use the holes on the base for the right fixing.

For a correct use and operation, as well as for an easy maintenance, leave a free space around the machine. Do not install the machine in dangerous or inflammable places.

6.3 ELECTRICAL CONNECTION

Electrical connection must be carried out as indicated in the scheme. Check that the supply voltage corresponds to that indicated on the rating plate. The dimensions of the feeding cable must be adequate to the machine absorption and in conformity with the laws in force. To ensure safe connection to the main supply, use a magnetothermal switch or otherwise a switch with fuses.

Put the cable in the hole of cablepress and close. Connect the cable to terminals of electrical arrival on the control panel, as shown in the scheme of these operating instructions.

6.4 CONNECTION TO COMPRESSED AIR SUPPLY

The connection to compressed air supply must be carried out on the right side of the machine, the threading is of G 1/4".

Use a pipe of internal Ø of not less than 10 mm and a max pressure of 12 bar (or use a pressure-reducer). Use an intercepting valve to stop the feeding.

The machine is provided with a pressure reducer, a lubricator, a filter, condensation separator, with a discharge valve under the cup. The valve discharges the condensation automatically in case of lack of pressure, then remember to stop the compressed air flow at the end of work.

In case of high charge of work periodically check the level of the condensation in the filter cup and discharge it using the valve placed under the cup.

Periodically check the oil level in the lubricant system and when necessary, fill it with oil for pneumatic circuit, unscrewing the screw on the upper part of the group (before unscrewing discharge the pressure of the system) The inlet of oil in the pneumatic circuit is ruled by the screw on the lubricant group. Screwing in the clockwise direction the quantity of oil let in the system is reduced, whereas screwing in the counterclockwise it increases. The right quantity is a drop of oil per fifty working cycles.

ATTENTION: At the end of the electrical connection, check that the cables are well fixed, isolated and protected from bumps.

7 OPERATING INSTRUCTIONS

7.1 OPERATION

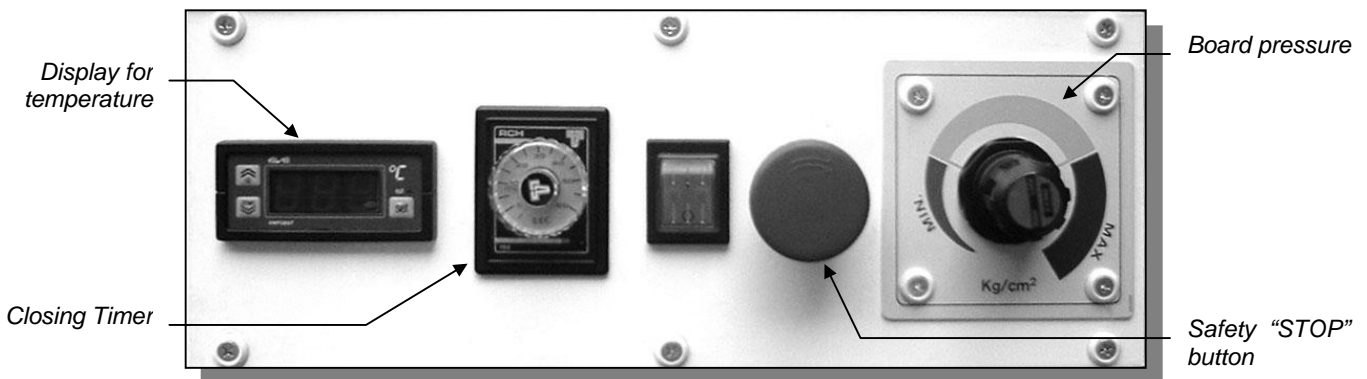
- Installation and maintenance must be carried out by qualified technicians only.
- Do not use the machine plunged in fluids, in dangerous or inflammable places.
- Do not ignore the dangers for the operators health and follow the hygienic and safety prescriptions.
- Use always suitable pipes for the working pressure.
- Check that the electrical connection is correctly carried out respecting the laws in force and that the fuses boxes are closed and complete with fuses.

7.2 VERIFICATIONS BEFORE WORKING.

- Check that the machine is intact.
- Check that the compressed air supply connection is correctly carried out.
- Check that the safety hands system works efficiently
- After connection and switching on of the machine, insert the working parameters (see next paragraph). Before starting always check that the air taps are open.
- Wait for a few minutes, to allow to the machine to reach the working temperature.

7.3 ADJUSTMENTS

- Adjust the board temperature through the buttons of the display.
- Adjust the automatic pressing time through the timer.
- Adjust the pressing values for the finishing through the suitable knob.
- Adjust the upper board down stroke speed through the knob which is located on hydraulic brake in the back side of the machine (pay attention to the upper board rapid opening).
- Start the pressing operations.
- In case of troubles or if programme suddenly stops, press "STOP" button.



7.4 AUTOMATIC USE

- Put the cloth on the lower board, paying attention not to crease it.
- Press and still pressing the pedal to lower the upper board, wait for the time previously adjusted through the timer. Then the upper board will lift, release the pedal.
- The machine is ready for another pressing cycle.

7.5 MANUAL USE

- Adjust the timer on the higher value.
- Put the cloth on the lower board, paying attention not to crease it.
- Press and still pressing the pedal to lower the upper board, wait for the needed time and release the pedal, the upper board will lift.
- The machine is ready for another pressing cycle.

N.B.: In case of contact with the safety ring, the pressing cycle stops immediately and the upper board lifts up. To go on working, it is necessary to act on the emergency switch.

8 PROBLEMS AND SOLUTIONS

The following scheme shows the main troubles and the corresponding causes and solutions. In case of doubts or unresolved problems, do not look for the trouble, taking off pieces of the machine, but contact the Technical Office or seller of Ghidini products.

PROBLEMS AND SOLUTIONS		
TROUBLES	POSSIBLE CAUSES	SOLUTIONS
Lack of pneumatic operation:	Lack of feeding air	<i>Check the presence of air on the manometer placed on the reducer.</i>
The machine does not work	Main power failure	<i>Check that the supply terminals are live.</i>
	Fuses are blown	<i>Check fuses.</i>

9 PRECAUTIONS

Read carefully the instructions and the risks related to the use of a spotting machine. Operators must know operating system and clearly understand its dangers through the manual.

Main electrical supply

Prior to carrying out any inspection or work on the spotting table, disconnect it from the main electrical supply and make sure that nobody can connect it again during the technical operations. All the electrical or electronic machines or basic structures installed must be connected to the earthing system.

Inflammability

Adopt all the necessary precautions to avoid any direct contact with hot materials or flames. Put fire extinguishers near the machine for an immediate intervention in event of fire.

Pressure

Before each intervention check that residual pressures are not inside every single branch of the pneumatic circuit.

Noise

The noise emission is not excessive, because it remains under 70dB(A).

10 WARNINGS

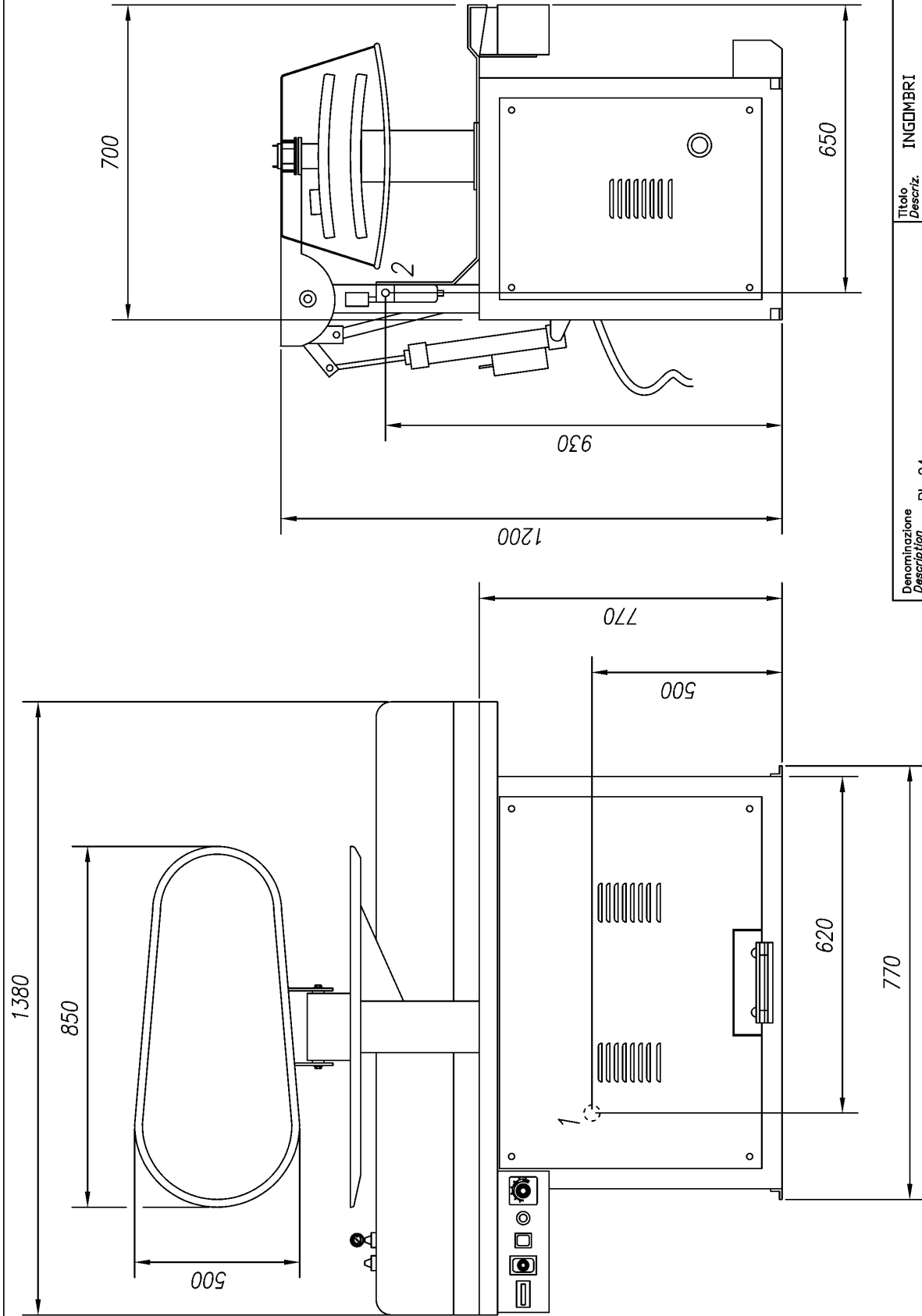
The verification of conformity to the essential safety rules and to the dispositions enclosed in the machine directive is carried out filling the checking lists arranged in advance and included in the technical file.

The checking lists are of two kinds:

- List of dangers (extract from EN 1050 referring to EN 292).
- Application of the essential safety characteristics (Dir. Machine – encl. 1, part 1)

11 DIMENSIONS AND SCHEMES

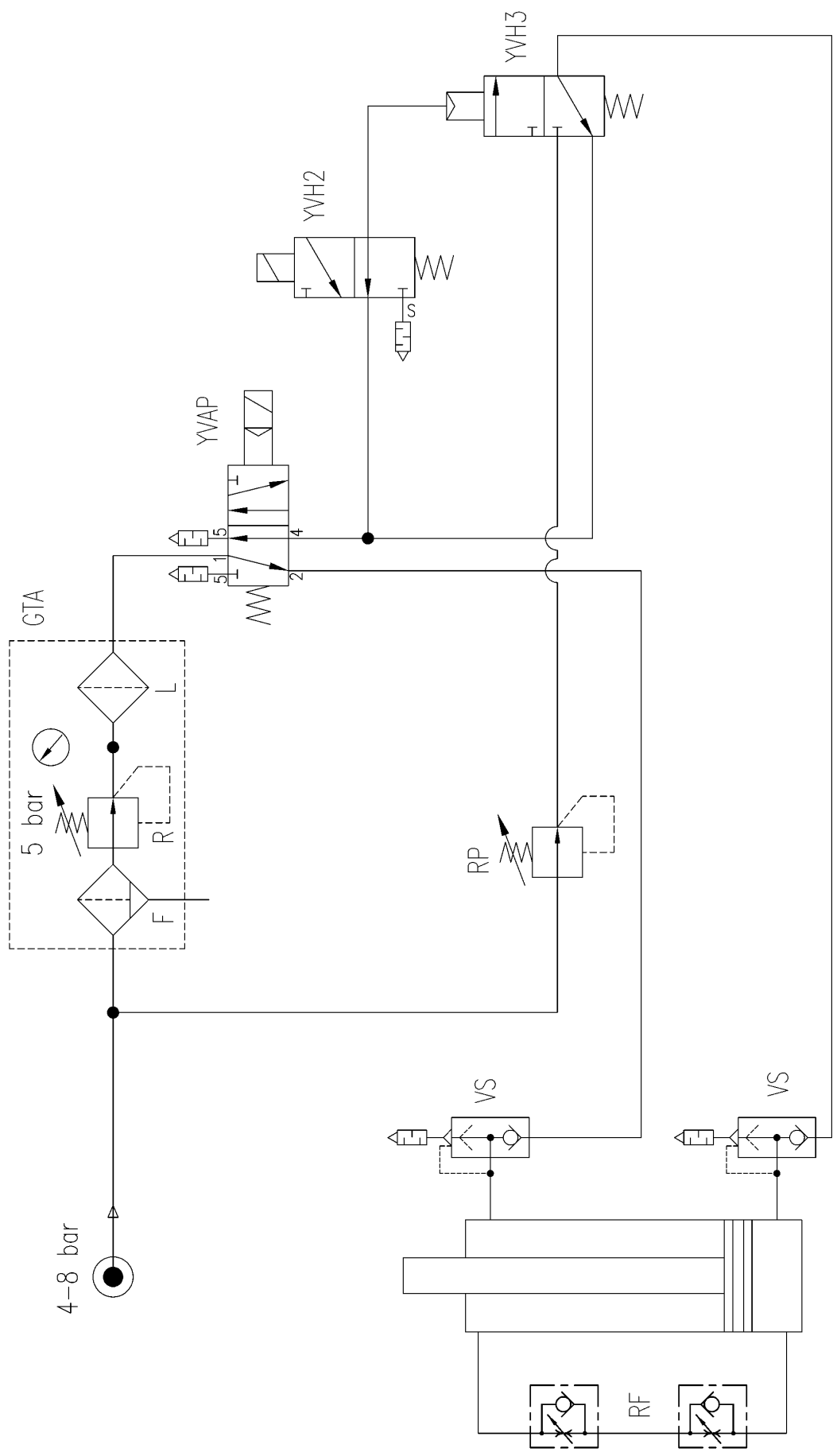
- 1. Electrical feeding inlet
- 2. Compressed air inlet



Denominazione Description		PL 04		Titolo Descriz.		INGOMBRI	
3	Data					Dis. NG	
2	Dis.					Dwg.	
1	Cod.					Foglio	Segue
1	Appr.					1	
Modifiche		Data		Firma			

S. Giuliano Milanese

QUESTO DISEGNO VIENE CONSEGNATO ALL'ESPRESSIONE CONDIZIONE CHE NON VIENGA SENZA NS/ CONSENSO NE RIPRODOTTO NE CEDUTO AD ALTRE DITTE



- GTA: AIR TREATMENT GROUP
- YH3: SOLENOID VALVE 3 WAYS HIGH PRESSURE
- YH2: SOLENOID VALVE 2 WAYS HIGH PRESSURE
- YVAP: SOLENOID VALVE 5 WAYS BOARD LOWERING
- RP: PRESSING REGULATOR
- VS: RAPID DISCHARGE VALVE
- RF: FLOW REGULATOR OF THE HYDRAULIC BRAKE

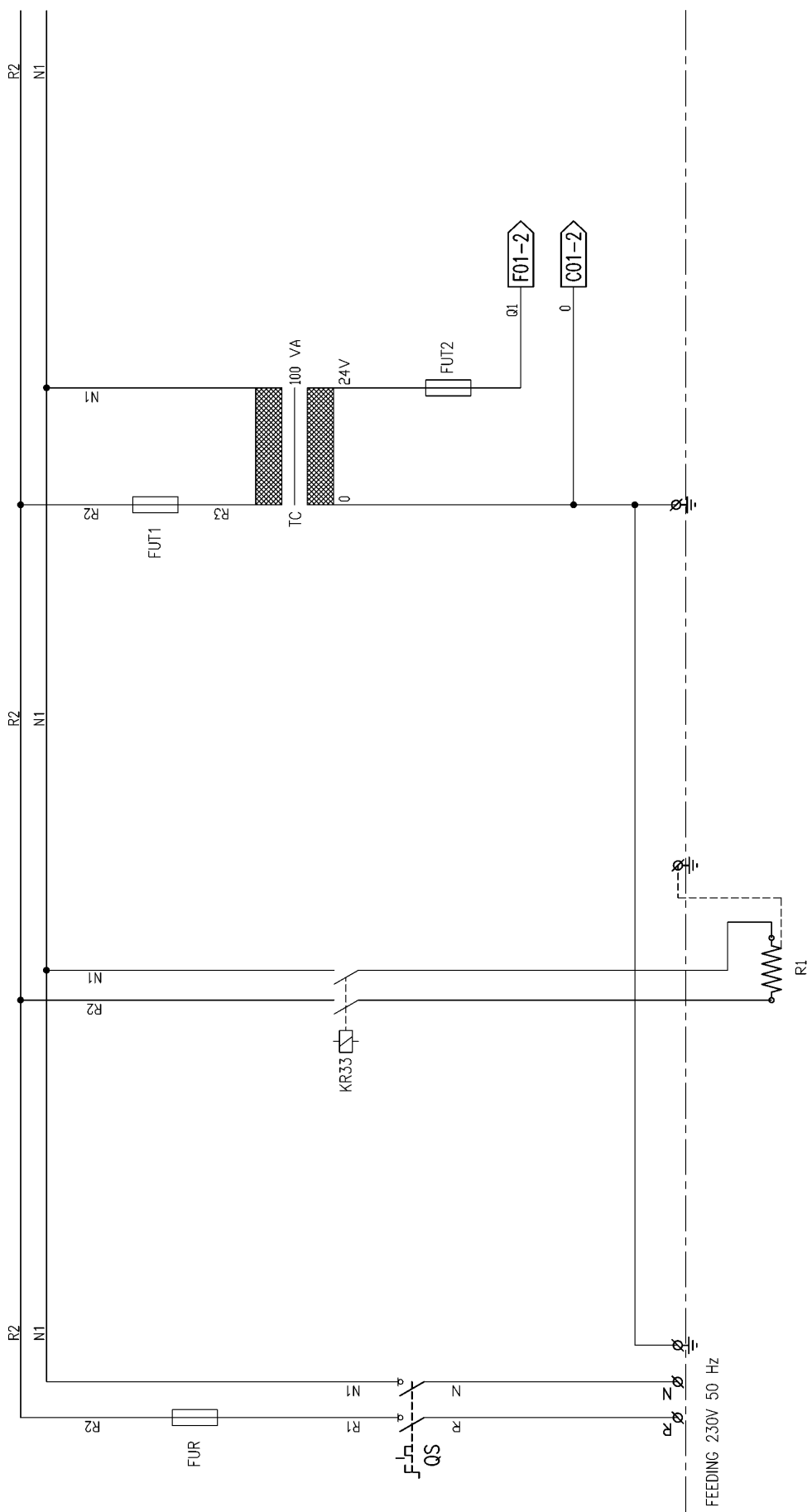
Denominazione PL 04
Description

Titolo SCHEMA PNEUMATICO
Descriz. PNEUMATIC DIAGRAM

Data		Dis. NG Dwg.	
3		Foglio	Segue
2		1/1	
1			
Modifiche	Disegn.	S. Giuliano Milanese	
Crizipes	Staz.	GHIPINI	

QUESTO DISEGNO VIENE CONSEGNATO ALL'ESPRESSIONE CONDIZIONE CHE NON VENGA SENZA NSF CONSENSO NE RIPRODOTTO NE CEDUTO AD ALTRE DITTE

COMPONENTS OUTSIDE ELECTRIC BOARD



FEEDING 230V 50 HZ

- QS: ISOLATOR SWITCH
- KR33: CONTACTOR OF WORKING BOARD HEATER
- TC: TRANSFORMER 230/24V 100VA
- R1: HEATER FOR WORKING BOARD HEATING DEVICE 2500 W
- FUR: FUSE 16A
- FUT1: FUSE 2A
- FUT2: FUSE 6A

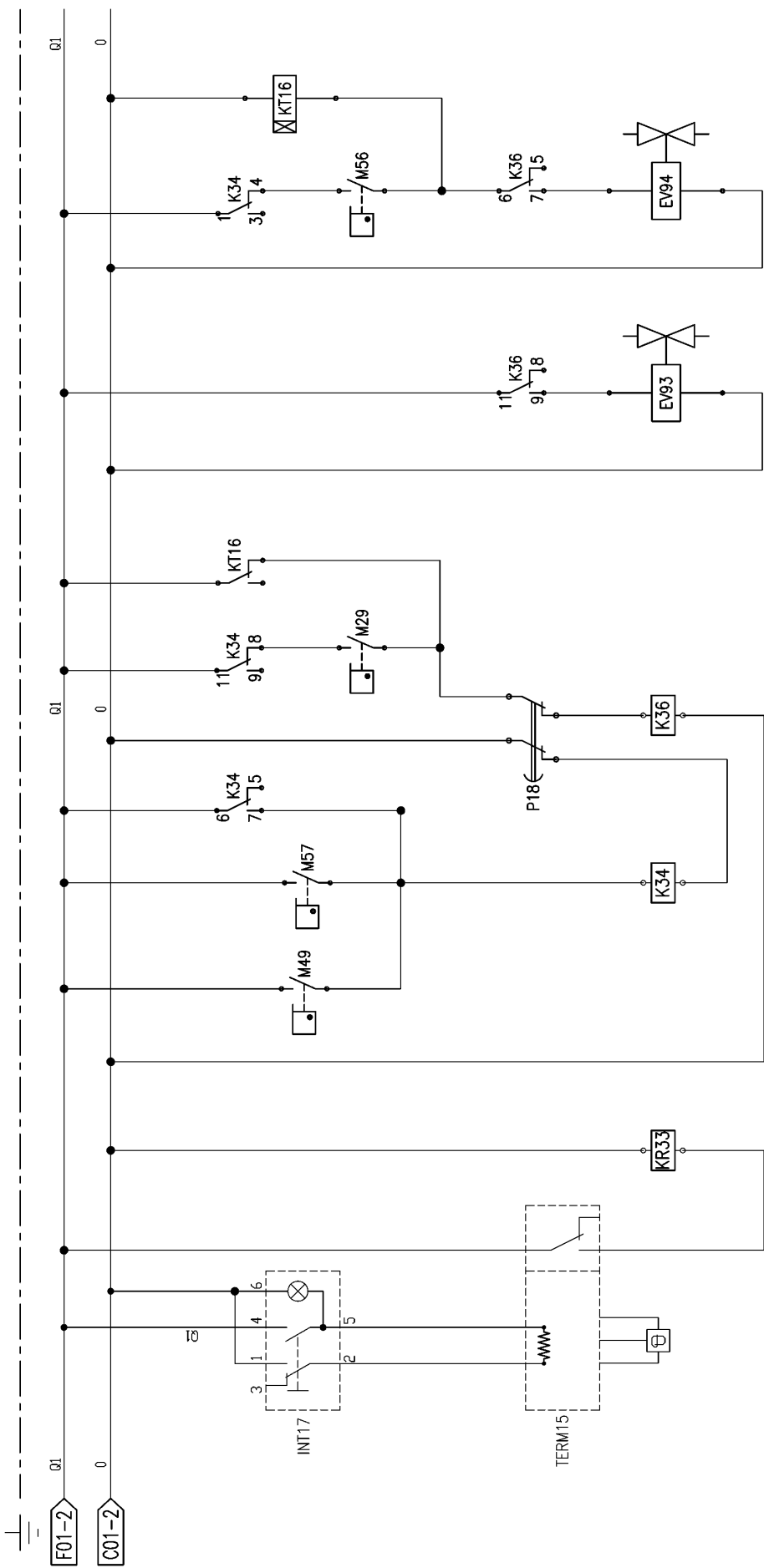
Denominazione PL 04
Description

Titolo SCHEMA ELETTRICO
Descriz. ELECTRICAL WIRING

3	Data	03/10/03	Dis. A.G.	Dis. NG
2				
1				
Modifiche	Data	Disegn.	Appr.	Foglio
Critiques	Date	Sign.		1/2
				2/2

GHIPINI
S. Giuliano Milanese

QUESTO DISEGNO VIENE CONSEGNATO ALL'ESPRESSIONE CONDIZIONE CHE NON VENGA SENZA NS/ CONSENSO NE RIPRODOTTO NE CEDUTO AD ALTRE DITTE



- INT17: SWITCH
- TERM15: ADJUSTABLE THERMO-REGULATOR
- KR33: CONTACTOR OF WORKING BOARD HEATER
- M49: MICRO SWITCH
- P18: BUTTON FOR THE SAFETY RELEASE AND STOP
- M57: MICRO SWITCH
- M29: MICRO SWITCH
- K34: SAFETY RELAY
- K36: RELAY OF THE OPERATING BOARD CYCLE
- KT16: ADJUSTABLE TIMER OF THE CYCLE
- EV93: COIL OF THE SOLENOID VALVE FOR THE STEAM OF THE GUN
- EV94: COIL OF THE SOLENOID VALVE FOR THE AIR OF THE GUN

Denominazione PL 04
Description

Titolo SCHEMA ELETTRICO
Descriz. ELECTRICAL WIRING

Dis. NG
Dwg.

Foglio
Segue

2/2

S. Giuliano Milanese

03/10/03

Dis. A.G.

Cod.

Appr.

03/10/03

Dis. A.G.

Cod.

Appr.

Questo disegno viene consegnato all'Espresso Condizione che non venga senza ns/ consenso ne riprodotto ne ceduto ad altre ditte

12 MAINTENANCE OPERATIONS

This machine does not need ordinary maintenance. In case of troubles, contact the technician for the inspection and, if necessary, for extraordinary maintenance.

Periodically it is necessary to check:

VERIFICATIONS	HOURS OF WORK
Check and add oil in the lubricant group of the pneumatic circuit	200
Check and add oil in the hydraulic brake if the rod notch is near the tank lid.	200
Check and keep the upper board support shaft well lubricated with loose grease through grease valve	500

This machine does not require special equipment for check and maintenance operations, but use suitable tools and personal protection in respect of D.Lgs. 626/94 and in good conditions (DPR. 547/55) in order to avoid troubles to people and to parts of the machine.

Prior to carrying out any inspection or work on the machine, make sure that it is disconnected from the main electric and pneumatic supplies.

13 DISCHARGE

During the maintenance operations, or in case of demolition, do not throw polluting elements in the environment. Look at the local laws in force for the right discharge. In case of demolition it is necessary to destroy the identification rating plate and any other document.

14 SPARE PARTS ORDER

For the spare parts request it is necessary to quote the model of the machine, the serial number, the quantity of the spare parts requested and their code number. (these data are available on the rating plate, the technical data and on the operating instructions.)

If the voltage and frequency of the electrical parts to replace are not V220-380/50Hz (check this particular characteristics on the rating plate of the part to replace), quote the right data.

The technical data, the descriptions and pictures included in this manual are not binding. The manufacturer reserves the right to make any necessary modification without notice and without updating these operating instructions.

CODE	DESCRIPTION
22D004	Upper board cover kit
274221	Lower board cover kit

15 MOVING AND TRANSPORT

Before its transport the machine is carefully packed in a wooden cage. During the transport and the stocking operations, pay attention to warnings reported on the packaging. At the moment of the delivery, check that the packing is intact and put the machine in a dry place

16 WARRANTY

All the products Ghidini are supplied with a guarantee for materials and manufacturing failures for a period of maximum 12 months from the date of the delivery.

The guarantee is extended as it follows:

In case of malfunction of the machinery contact Ghidini and quote the trouble, the model, serial number and the operating conditions of the machine. At the receipt of the machine and after an accurate analysis, Ghidini reserves the right to repair or to replace the product. If the machine is still under guarantee, Ghidini will repair or replace it free, but if the returned product is not defective, Ghidini reserves the right to charge the freight to the customer (transport, etc.).

This warranty must be considered annulled in case of damages caused by an incorrect use, negligence, wear and tear, chemical corrosion, installation in contrast with the operating instructions supplied by Ghidini. Any eventual modification or different use of the machine must be previously authorized by Ghidini through a written document, otherwise Ghidini can be considered free even from the guarantee bond.

The parts of the machine which are subjected to wear and tear are not included in the guarantee. All the items not explicitly cited or damages and expenses caused by the defects of the product itself. Implicitly the customer accepts the conditions of the present warranty purchasing the machine. Eventual modifications to the guarantee must be authorized by Ghidini through a written document

17 CONFORMITY CERTIFICATE

Manufacturer :

GHIDINI
Company

Via Tolstoj, 24 – 20098 S. Giuliano Milanese (MI)
Address

+39 -02 -98.24.06.00
Phone

certifies that:

The machine

Press - PL 04

- * is built in conformity with the DIRECTIVES OF THE EUROPEAN COMMUNITY COUNCIL referring to machines (98/37/CE) and to low-tension (BT 73/23/CEE) and PED certificate (97/23/CE).
- * is built in conformity with the following laws and technical specifications, in what can be applied and in mutual agreement:
EN 292-1/2, EN 1050, EN 982, EN 11200, EN 60947, EN 894-1/2.

Managing director

Roland Fleischmann

Product manager

Name

GHIDINI S.R.L.

Company



October 2003

Signature

Date

