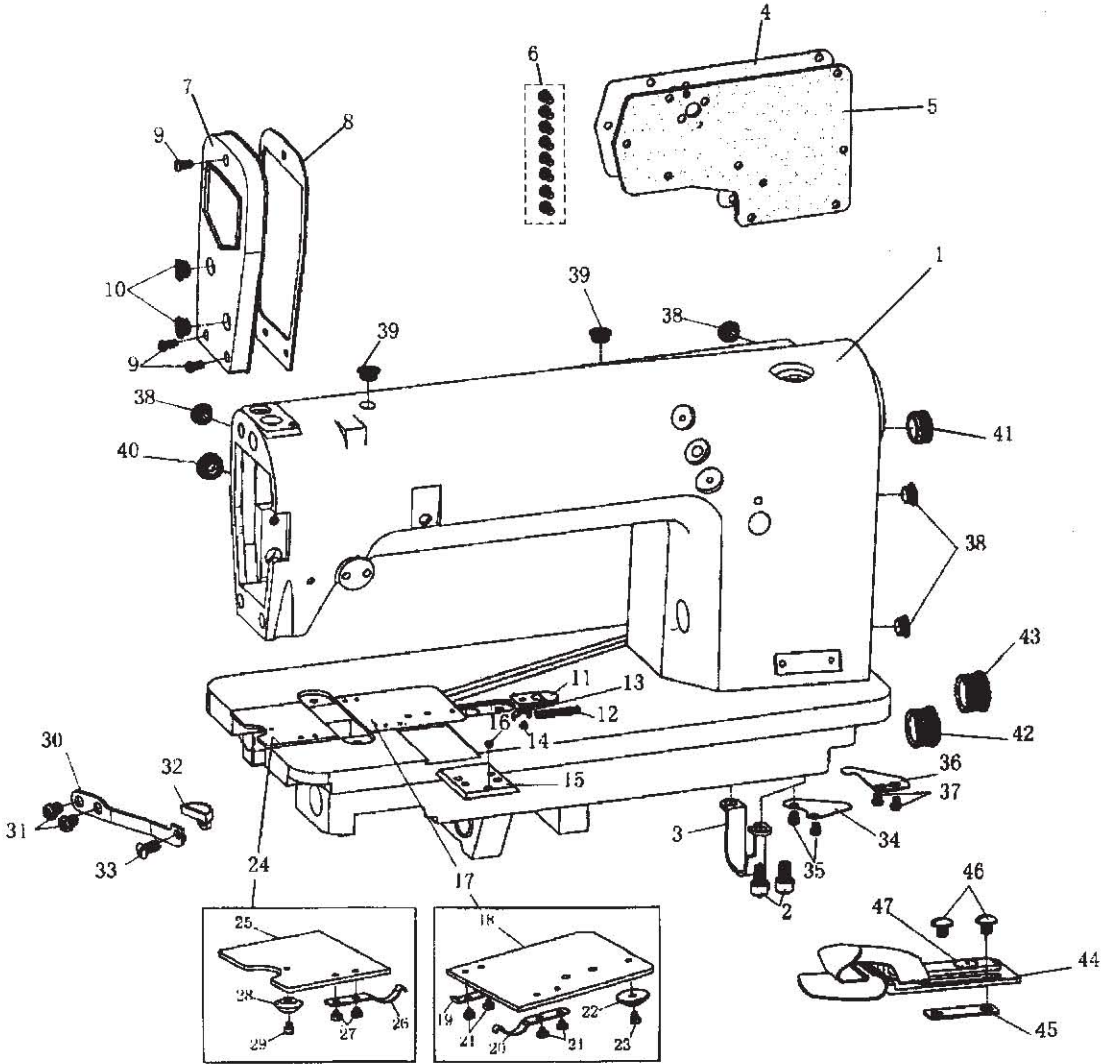


零件样本

PARTS LIST

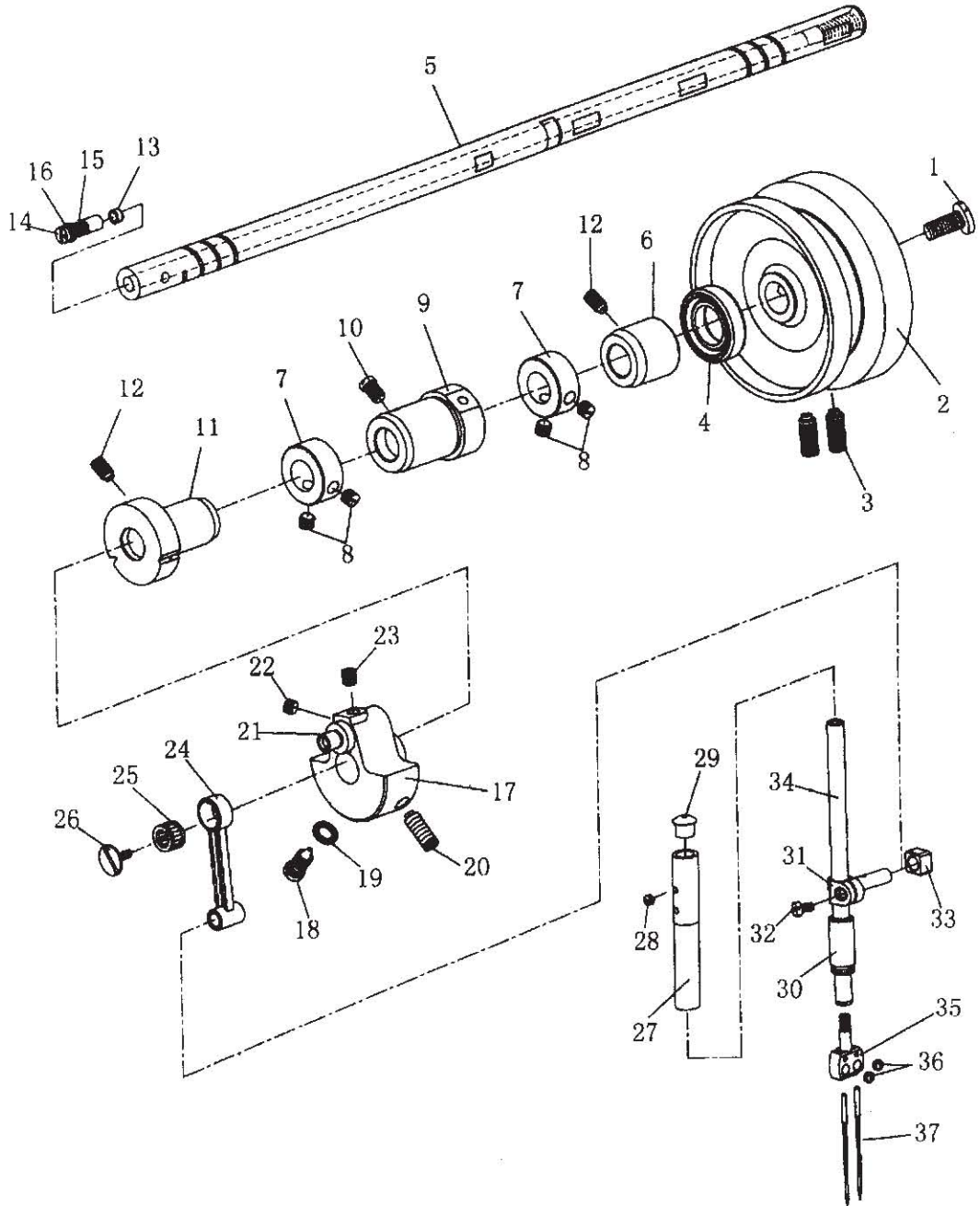
1. 机壳分组件/Arm bed components



1. 机壳分组件/Arm bed components

序号 Ref.No.	件号 Part NO.	名 称	Description	数量 Amt.
1	GQ202/13	机壳部件	Arm bed composing	1
2	GS0127	底板支承螺钉	Bed screw stud	2
3	GR1823	底板支承板	Bed support	1
4	GK186	后窗板	Side plate	1
5	GR1812	后窗板垫	Gasket	1
6	GS100	后窗板螺钉	Side plate screw	8
7	GR1455/2	面板部件	Face plate asm.	1
8	GR1457	面板垫	Face plate gasket	1
9	GS100	面板螺钉	Screw	3
10	GR1458	面板调节螺孔塞	Rubber plug	2
11	GR1813	凸轮盖压板	Cam cover latch	1
12	GW287	凸轮盖压板弹簧	Spring	1
13	GR1814	凸轮盖压板弹簧座	Spring suspension	1
14	GS069	凸轮盖压板座螺钉	Screw	1
15	GM241	附件安装板	Attachment installing plate	1
16	GS012	附件安装板定位螺钉	Screw	1
17	GM242/9	凸轮盖部件	Cam cover asm	(1)
18	GM243	凸轮盖	cover	1
19	GW289	凸轮盖托板	Cam cover	1
20	Gw290	凸轮盖弹簧	Spring	1
21	GS045	凸轮盖弹簧螺钉	Screw	4
22	GR1815	凸轮盖导轮	Cam cover guide	1
23	GS0129	凸轮盖导轮螺钉	Screw	1
24	GM244/6	推板部件	Bed slide asm.	(1)
25	GM245	推板	Bed slide	1
26	GW291	推板簧	Spring	1
27	GS045	推板簧螺钉	Screw	2
28	GR1816	推板导轮	Bed slide guide	1
29	GS0129	推板导轮螺钉	Screw	1
30	GW292	推板锁簧	Bed slide lock spring	1
31	GS010	推板锁簧螺钉	Screw	2
32	GR1817	推板簧把手	Latch	1
33	GS44	推板簧把手螺钉	Screw	1
34	GR1818	送料轴底板挡油板	Bed oil shield	1
35	GS010	底板挡油板螺钉	Screw	2
36	GR1819	拾牙轴底板挡油板	Bed oil shield	1
37	GS010	底板挡油板螺钉	Screw	2
38	GR1461	轴套定位螺孔塞	Rubber plug	4
39	GR1462	上轴套油孔线塞	Rubber plug	2
40	GR1463	针杆曲柄螺孔塞	Rubber plug	1
41	GR1464	送料针距调节器孔塞	Rubber plug	1
42	GR1465	拾牙轴孔塞	Rubber plug	1
43	GR1466	下轴盲孔塞	Rubber plug	1
44	GR1916/5	卷边器部件(1/4")	(1/4")Folder	1
45	GR1923	卷边器垫块	Gasket	1
46	GS0148	卷边器螺钉	Screw	2

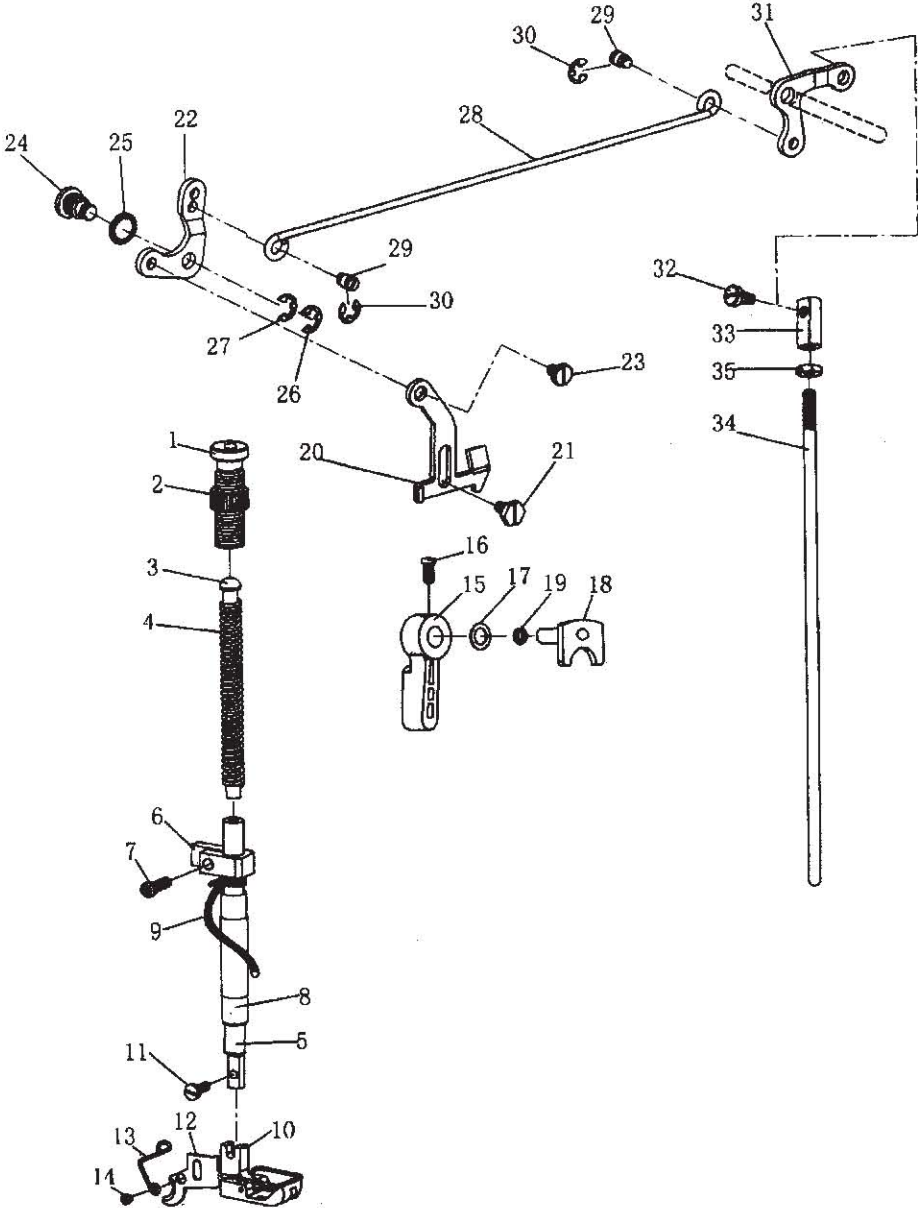
2. 上轴针杆分组件/Main shaft & Needle bar components



2. 上轴针杆分组件/Main shaft & Needle bar components

序号 Ref.No.	件号 Part NO.	名 称	Description	数量 Amt.
1	GS02	上轴安全螺钉	End screw	1
2	GP132	上轮	Hand wheel	1
3	GS03	上轮螺钉	Screw	2
4	GR1468/2	上轮油封	Oil seal	1
5	GZ303	上轴	Main' shaft	1
6	G0262/2	上轴后轴套部件	Main' shaft bushing, rear	1
7	GR1824	上轴挡圈	Main shaft thrust collar	2
8	GS033	上轴挡圈螺钉	Screw	4
9	G0265	上轴中轴套部件	Main shaft bushing intermediate	1
10	GS05	中轴套螺钉	Screw	1
11	G0303/2	上轴前轴套部件	Main shaft bushing, front	1
12	GS04	轴套螺钉	Screw	2
13	GR1470	曲柄油量限制毡	Roller felt	1
14	GX334	曲柄油量调节销	Crank oil adjusting pin	1
15	G0269	曲柄油量调节销套	Rubber bushing	1
16	GR1471	曲柄油量调节销O形圈	O-Rubber ring	1
17	GH378	针杆曲柄	Counterweight asm.	1
18	GS06	针杆曲柄定位螺钉	Screw	1
19	GR1472	定位螺钉O形圈	O-Rubber ring	1
20	GS07	针杆曲柄紧固螺钉	Screw	1
21	GH379	针杆连杆销	Needle crank	1
22	GS48	挑线曲柄定位螺钉	Screw	1
23	GS041	挑线曲柄螺钉	Screw	1
24	GH334	针杆连杆	Needle bar crank rod	1
25	G0270	针杆连杆滚针轴承	Needle roller bearing	1
26	GS09	针杆连杆左旋螺钉	Left twist screw	1
27	G0271	针杆上衬套	Needle bar bushing upper	1
28	GS012	针杆上衬套螺钉	Screw	1
29	GR1479	针杆上衬套孔塞	Rubber plug	1
30	G0288	针杆下衬套	Needle bar bushing, lower	1
31	GR1478	针杆连接柱	Needle bar connection asm.	1
32	GS011	针杆连接柱螺钉	Screw	1
33	GU168	针杆连接柱滑块	Crank slide block	1
34	GZ304	针杆	Needle bar	1
35	GR1826	针夹 (1 / 4 ")	Needle clamp	1
36	GS0130	支针螺钉	Screw	2
37	Gv18	机针	Needle	2

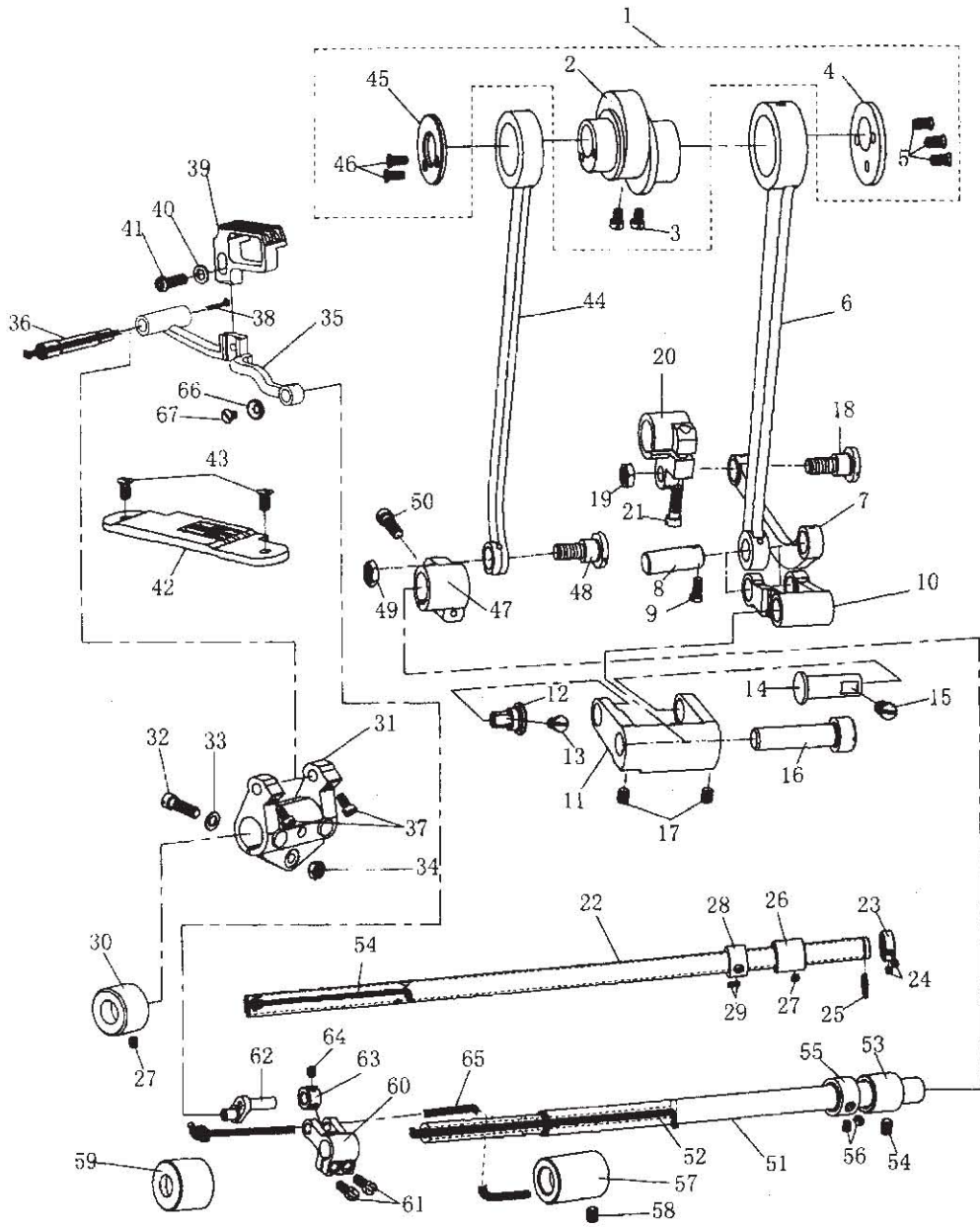
3. 压料分组件/Presser bar components



3. 压料分组件/Presser bar components

序号 Ref.No.	件号 Part NO.	名 称	Description	数量 Amt.
1	GS018	调压螺钉	Presser spring rugulator	1
2	GL18	调压螺钉螺母	Nut	1
3	GR1494	调压导杆	Presser bar guide bar	1
4	GW253	调压簧	Presser spring	1
5	GZ305	压杆	Presser bar	1
6	GR1827	压杆导架	Presser bar guide bracket asm.	1
7	GS019	压杆导架螺钉	Screw	1
8	G0273	压杆衬套	Presser bar bushing, lower	1
9	GR1525	压杆油线	Oil wick	1
10	GM246/5	压脚部件1/4"	Presser foot asm.	1
11	GS020	压脚螺钉	Screw	1
12	GR1832	切线刀	Thread knife	1
13	GR1833	切线刀导钩	Thread knife guide	1
14	GS0129	切线刀导钩螺钉	Screw	1
15	GR1499	压脚扳手	Hand lifter	1
16	GS021	压脚扳手螺钉	Screw	1
17	GR1500	压脚扳手垫圈	Washer	1
18	GR1501/2	压脚扳手凸轮部件	Hand lifter cam asm.	1
19	GR1503	压脚扳手轴O型圈	Rubber ring	1
20	GR1504	压脚升降板	Lifting lever	1
21	GS022	升降板轴位螺钉	Hinge Screw	1
22	GR1505	抬压脚前杠杆	Lifting link for lifting lever	1
23	GS023	前杠杆轴位螺钉	Hinge Screw	1
24	GS024	前杠杆螺纹销	Hinge pin	1
25	GR1506	前杠杆螺纹销垫圈	Lifting lever gasket	1
26	GR1508	前杠杆特制开口挡圈	Snap ring	1
27	GR1507	前杠杆开口挡圈	Snap ring	1
28	GR1834	抬压脚拉杆	Lifting lever connecting rod	1
29	GS025	抬压脚拉杆螺钉	Screw	2
30	GR1510	抬压脚拉杆开口挡圈	Snap ring	2
31	GR1835	抬压脚后杠杆	Lifting lever link rear	1
32	GS0131	后杠杆轴位螺钉	Hinge Screw	1
33	GR1836	抬压脚顶杆接头	Swivel	1
34	GX378	抬压脚顶杆	lifting lever connecting rod, vertical	1
35	G119	抬压脚顶杆螺母	Nut	1

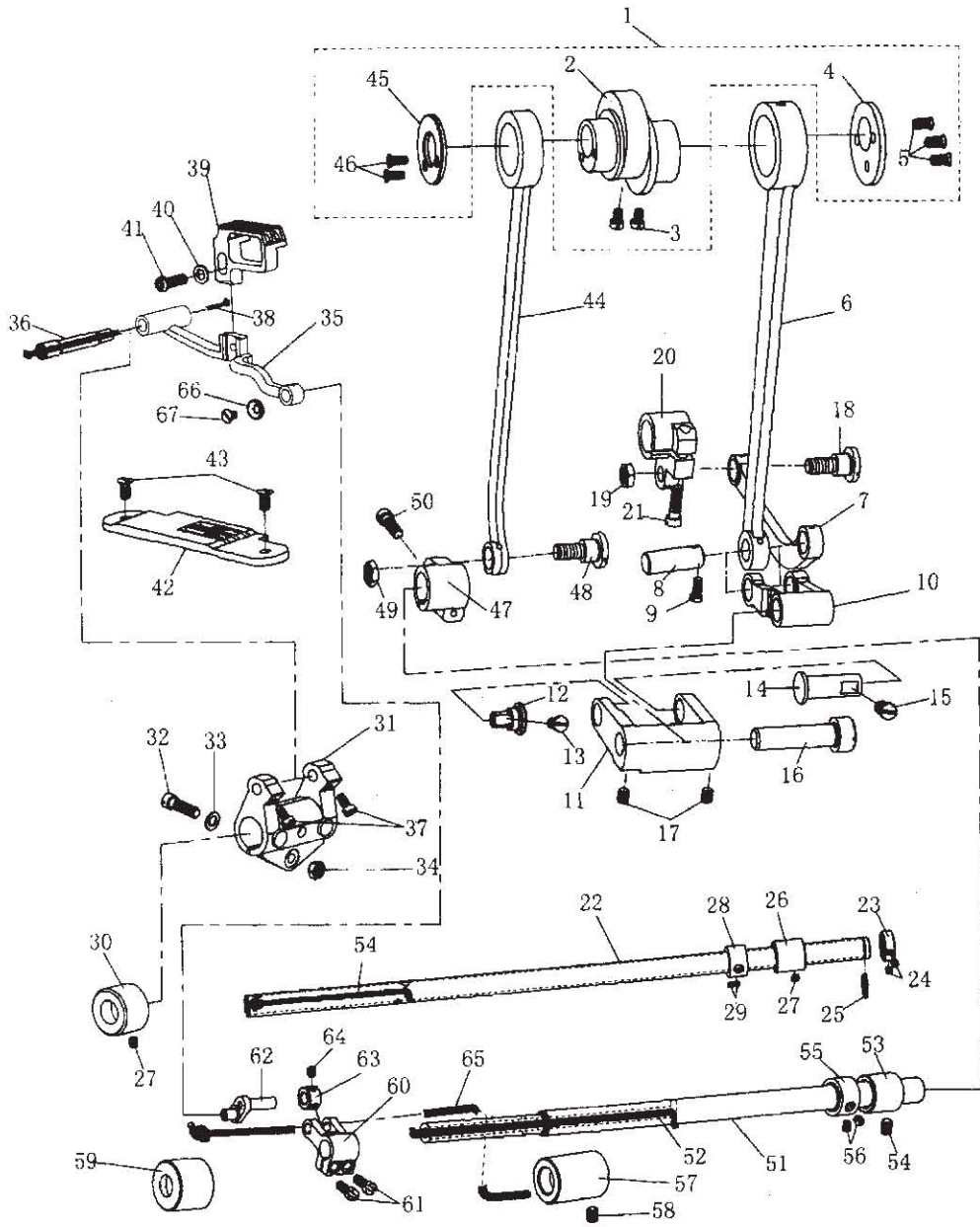
4. 送料分组件/Feed mechanism components



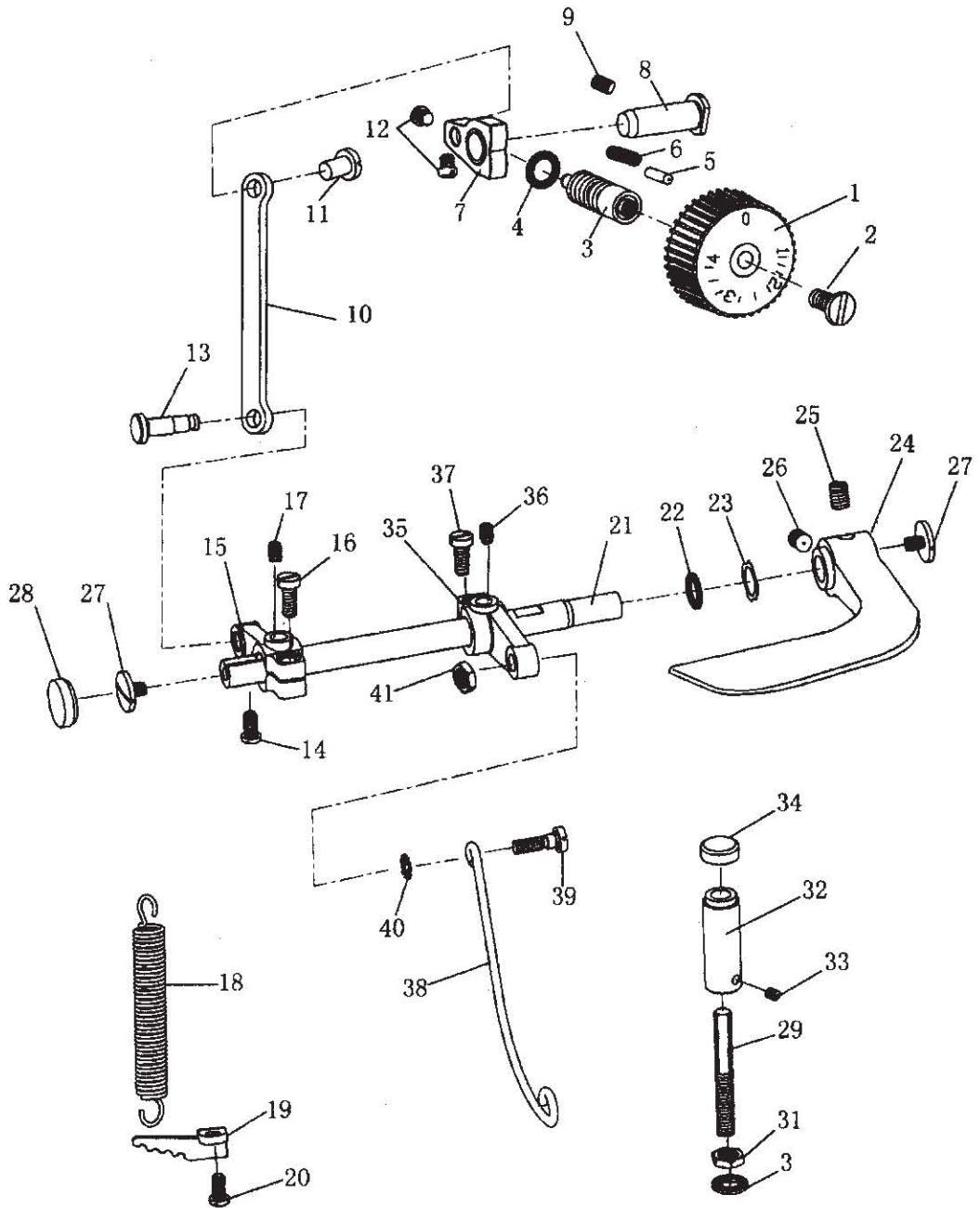
4. 送料分组件/Feed mechanism components

序号 Ref.No.	件号 Part NO.	名 称	Description	数量 Amt.
1	GT160/10	送料偏心轮部件	Feed eccentric cam asm.	1
2	GT161	送料偏心轮	Feed eccentric cam	2
3	GS034	送料偏心轮螺钉	Screw	1
4	GR1521	送料偏心轮盖板	Feed eccentric thrust washer	3
5	GS035	偏心轮盖板螺钉	Screw	1
6	GH335	送料大连杆	Feed rocker shaft connecting rod	1
7	GH380	送料小连杆	Connecting rod	1
8	GX340	送料连杆销	Connecting pin	1
9	GS036	送料连杆销螺钉	Screw	1
10	GR1522	送料摆杆	Feed driving rocket arm	1
11	GR1523	送料摆杆座	Feed driving rocket	1
12	GX341	送料摆杆座右销	Hingd stud	1
13	GS037	送料摆杆座右销螺钉	Screw	1
14	GX342	送料摆杆座右销	Hinge pin	1
15	GS05	送料摆杆座右销螺钉	Screw	1
16	GZ279	送料摆杆销	Hinge pin	1
17	GS038	送料摆杆销螺钉	Screw	2
18	GS039	送料曲柄轴位螺钉	Hinge screw	1
19	GL7	送料曲柄轴位螺母	Nut	1
20	GH337	送料曲柄	Feed rocker shaft crank	1
21	GS040	送料曲柄螺钉	Screw	1
22	GZ280	送料轴	Feed rocker shaft	1
23	GR1890	送料轴薄挡圈	Thrust collar	1
24	GS032	送料轴薄挡圈螺钉	Screw	1
25	GR1524	送料轴轴用挡圈	Retaining ring	2
26	G0285	送料轴轴后套	Bushing rear	1
27	GS41	送料轴轴后套螺钉	Screw	2
28	GR1469	送料轴挡圈	Thrust collar	1
29	GS39	送料轴挡圈螺钉	Screw	2
30	G0286	送料轴前轴套	Feed rocker shaft bushing, front	1
31	GR1838	牙架座	Feed rocker	1
32	GS040	牙架座螺钉	Screw	1
33	GR1528	牙架座螺钉垫圈	Washer	1
34	GL20	牙架座螺母	Nut	1
35	GR1839	牙架	Feed bar	1
36	GX379	牙架销	Feed bar shaft	1
37	GS042	牙架销螺钉	Screw	2
38	GR1837	牙架销油线	Oil wick	1
39	GM247	送料牙1/4"	Feed dog (1/4")	1
40	Gr1528	送料牙垫圈	Washer	1

4. 送料分组件/Feed mechanism components



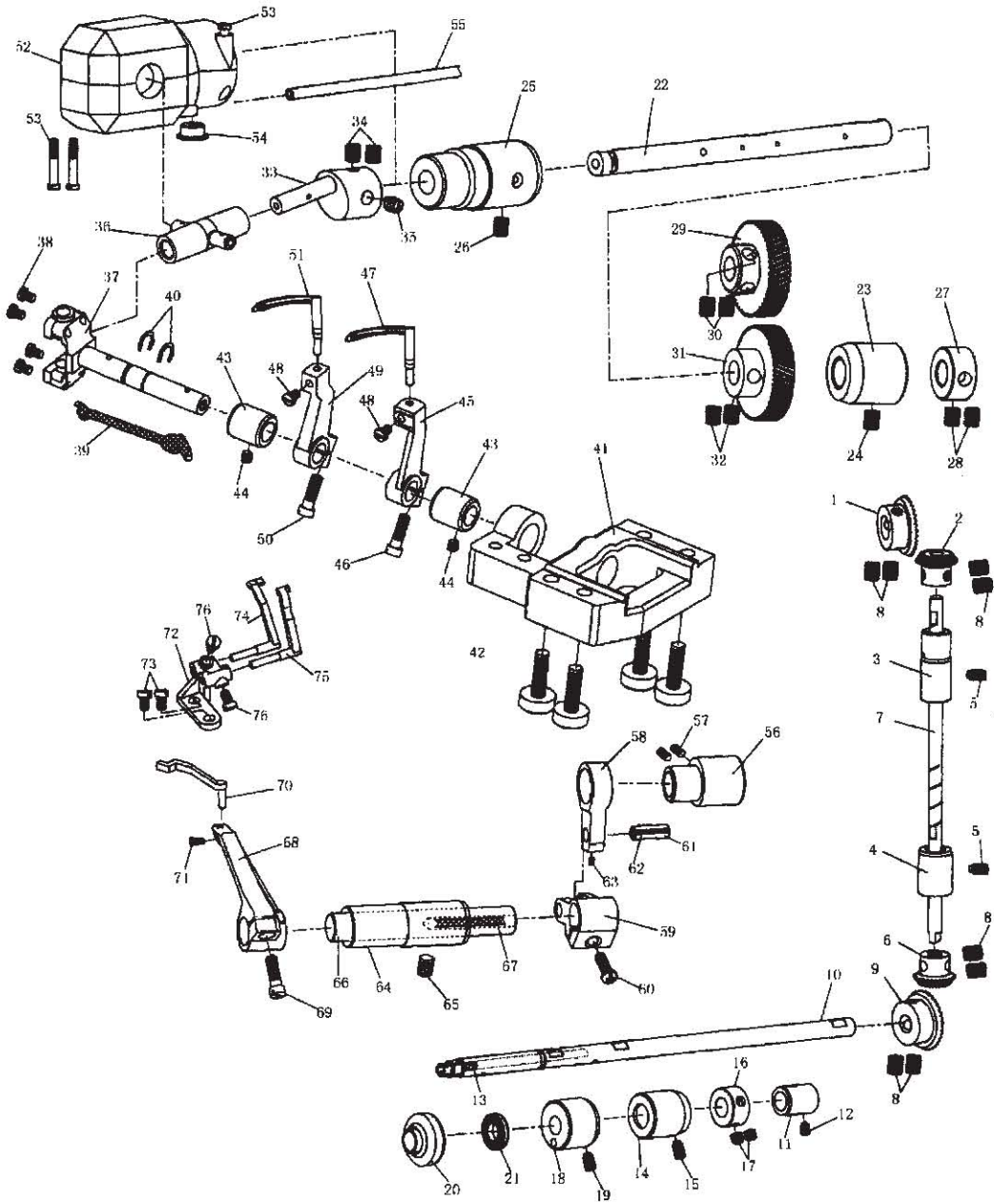
5. 送料调节分组件/Feed regulating components



5. 送料调节分组件/Feed regulating components

序号 Ref.No.	件号 Part NO.	名 称	Description	数量 Amt.
1	GR1537G	送料距旋钮部件	Stitch dial asm	1
2	GS0563	送料距旋钮螺钉	Screw	1
3	GS047	送料调节螺柱	Feed regulating screw	1
4	GR1538	送料调节螺柱O型圈	O-Rubber ring	1
5	GX345	送料距锁合销	Stitch dial lock pin	1
6	GW257	送料距缩合销簧	Stitch dial lock spring	1
7	GR1843	送料调节器	Feed regulator	1
8	GX346	送料调节器销	Hinge pin	1
9	GS48	送料调节器销螺钉	Screw	1
10	GH341	送料调节器连杆	Feed regulator connecting rod	1
11	GR1540G	调节器连杆轴	Hinge pin	1
12	GS010	调节器连杆轴位螺钉	Nut	1
13	GR1540	拉簧调节曲柄销	Tension spring suspension stud	1
14	GS100	拉簧调节曲柄销螺钉	Screw	1
15	GH342	拉簧调节曲柄	Tension spring suspension crank	1
16	GS049	调节曲柄紧固螺钉	Suspension bracket	1
17	GS48	调节曲柄定位螺钉	Screw	1
18	GW258	倒送料轴拉簧	Tension spring	1
19	GR1547	拉簧固定板	Suspension bracket	1
20	GS01	拉簧固定板螺钉	Screw	1
21	GZ282	倒送料轴	Reverse feed control lever shaft	1
22	GR1542	倒送料轴O型圈	Rubber ring, large	1
23	GR1543	倒送料轴弹性垫圈	Waved Washer	1
24	GR1544	倒送料扳手	Reverse feed control lever	2
25	GS050	倒送料扳手定位螺钉	Screw	1
26	GS033	倒送料扳手螺钉	Screw	1
27	GS051	倒送料轴端螺钉	End Screw	1
28	GR1545	倒送料轴端孔塞	Rubber plug	1
29	GS0134	倒送料挡块螺杆	Screw	1
30	GR1599	挡块螺杆垫圈	Washer	1
31	GL21	挡块螺杆螺母	Nut	1
32	GR1844	倒送料挡块	Lever stopper	1
33	GS0135	倒送料挡块螺钉	Screw	1
34	GR1845	倒送料挡块橡胶垫	Rubber cushion	1
35	GH344	倒送料曲柄	Control lever crank, rear	1
36	GS48	到送料曲柄定位螺钉	Screw	1
37	GS049	倒送料曲柄螺钉	Screw	1
38	GH345	倒送料连杆	Feed driving rocker arm connecting	1
39	GS052	倒送料连杆轴位螺钉	Screw	1
40	GR1546	倒送料连杆弹簧垫圈	Washer	1
41	G120	倒送料连杆轴位螺母	Nut	1

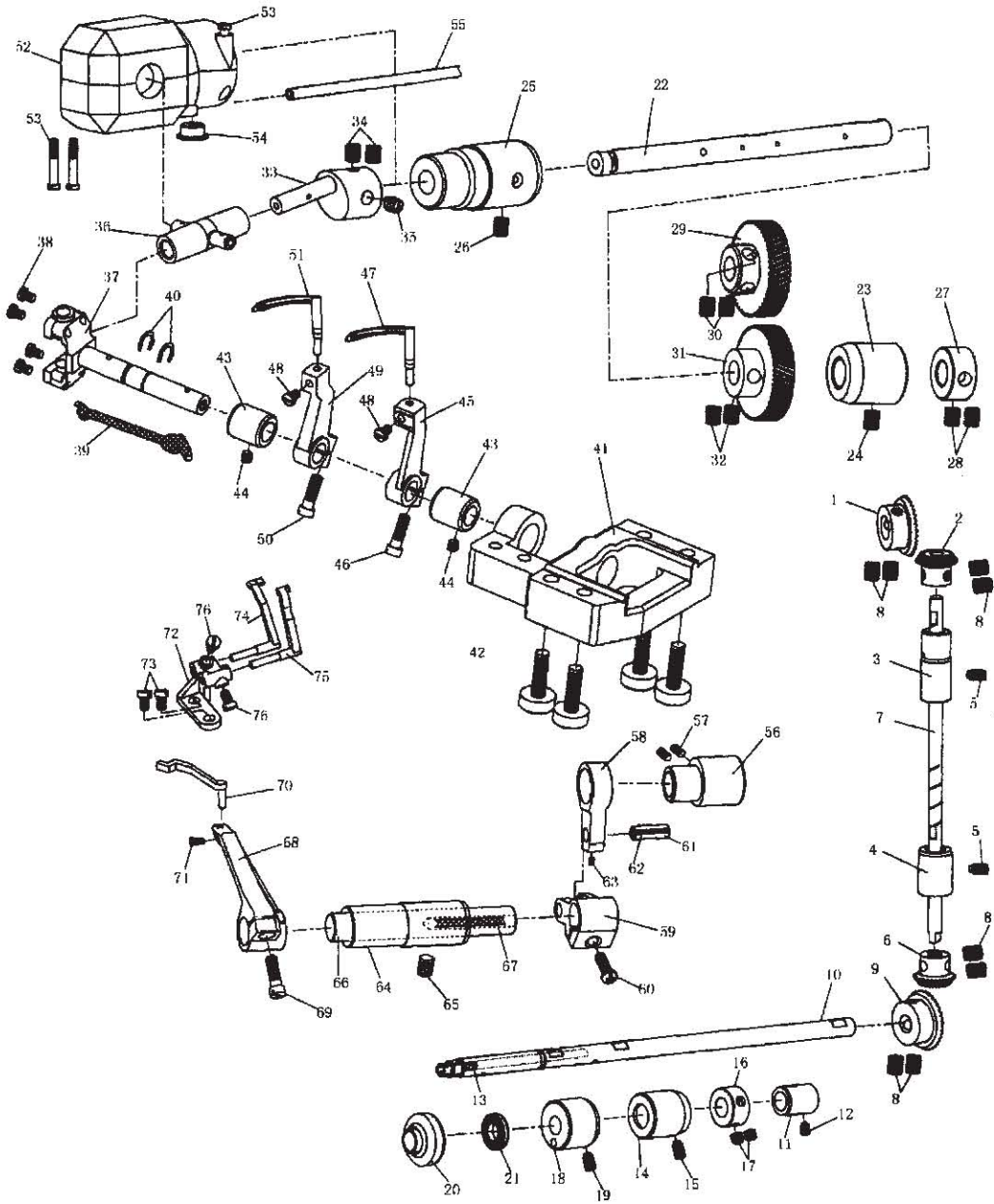
6. 弯针勾线分组件/Looper thread retainer components



6. 弯针勾线分组件/Looper thread retainer components

序号 Ref.No.	件号 Part NO.	名 称	Description	数量 Amt.
1	GC168	上轴伞齿轮	Gear asm	1
2	GC167	竖轴上伞齿轮	Pinion asm	1
3	G0283	竖轴上轴套	Bushing, upper	1
4	G0280/2	竖轴下轴套部件	Bushing, lower	1
5	GS04	竖轴轴套螺钉	Screw	2
6	GC167	竖轴下伞齿轮	Gear asm	1
7	GZ307	竖轴	Upright shaft	1
8	GS033	伞齿轮螺钉	Bushing, front asm. screw	8
9	GC169	下轴伞齿轮	Gear asm	1
10	GZ308	下轴	Lower shaft asm.	1
11	G0307	下轴后轴套	Bushing, rear	1
12	GS04	下轴后轴套螺钉	Screw	1
13	GR1847	下轴油孔孔塞	Felt	1
14	G0308/2	下轴中轴套部件	Bushing, intermediate	1
15	GS04	下轴中轴套螺钉	Screw	1
16	GR1848	下轴挡圈	Thrust collar asm	1
17	GS033	下轴挡圈螺钉	Screw	2
18	G0311/2	下轴前轴套部件	Bushing, front	1
19	GS04	下轴前轴套螺钉	Screw	1
20	GR1849	下轴前轴套油封套	Looper thread guard bushing	1
21	GR1850	下轴前轴套油封	Oil seal	1
22	GZ309	弯针轴	Looper rocker shaft	1
23	G0308/2	弯针轴后轴套部件	Bushing, front	1
24	GS04	弯针轴后轴套螺钉	Screw	1
25	G0314/2	弯针轴前轴套部件	Looper thread guard bushing	1
26	GS48	弯针轴前轴套螺钉	Screw	1
27	GR1848	弯针轴挡圈	Thrust collar asm	1
28	GS033	弯针轴挡圈螺钉	Screw	2
29	GC170	主动弯针齿轮	Gear asm, upper	1
30	GS033	主弯针齿轮螺钉	Screw	2
31	GC171	被动弯针齿轮	Gear asm, lower	1
32	GS033	被动弯针齿轮螺钉	Screw	2
33	GH384	弯针曲柄	Looper crank asm.	1
34	GS033	弯针曲柄螺钉	Screw	2
35	GS0136	弯针曲柄调节螺钉	Loopercrank adjusting screw	1
36	GR1851/5	弯针十字接头部件	Trunnion asm.	1
37	GZ310/3	弯针摆轴部件	Looperrocker shaft asm	1
38	GS0100	弯针摆轴盖螺钉	Screw	4
39	GR1533	弯针摆轴油线	Oil wick	1
40	Gr1854	弯针摆轴挡圈	Snap ring	2

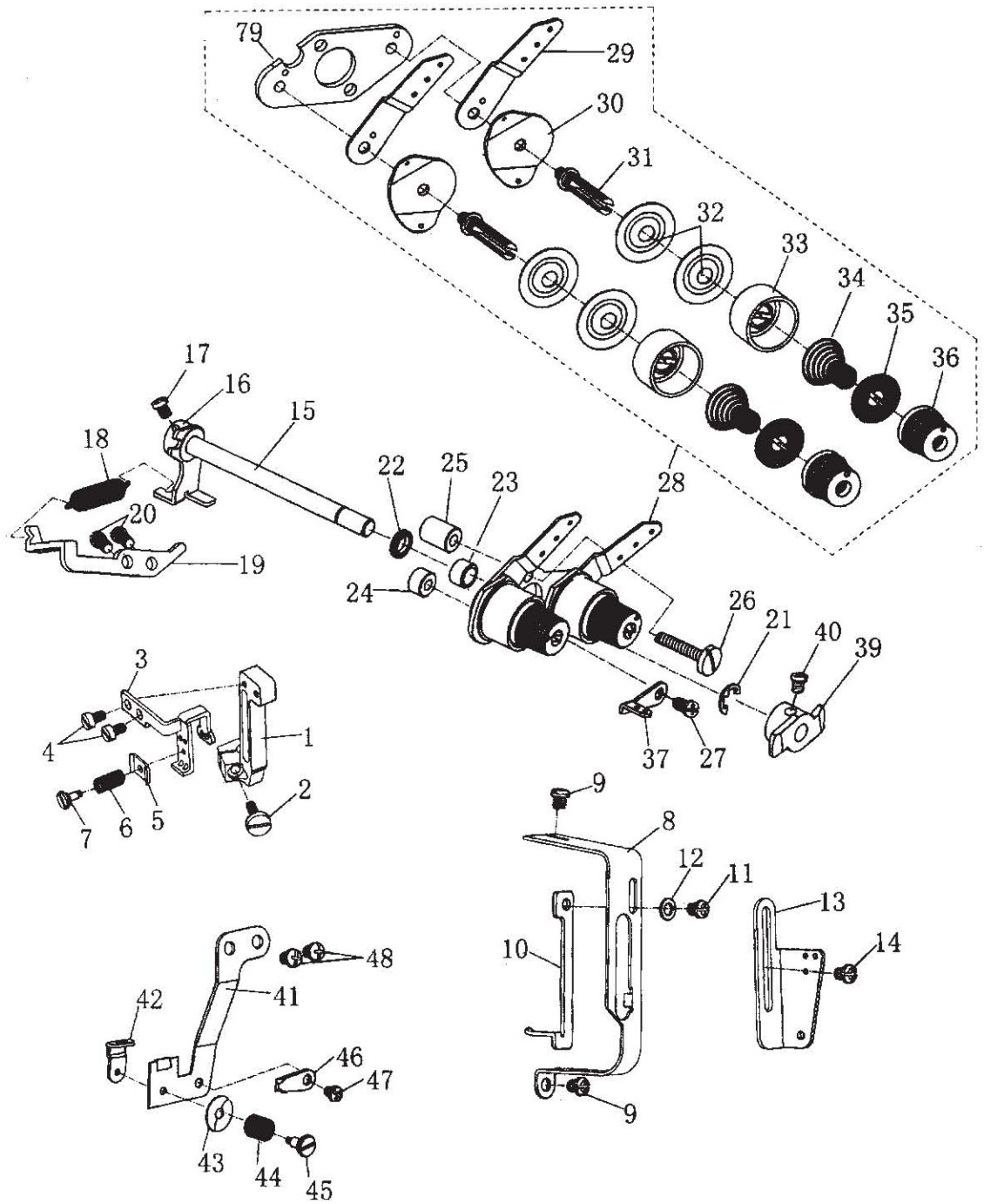
6. 弯针勾线分组件/Looper thread retainer components



6. 弯针勾线分组件/Looper thread retainer components

序号 Ref.No.	件号 Part NO.	名 称	Description	数量 Amt.
41	GR1855	弯针架座	Looper mounting base	1
42	GS0137	弯针架座螺钉	Screw	4
43	G0318	弯针摆轴轴套	Bushing, rear	2
44	GS032	弯针摆轴轴套螺钉	Screw	2
45	GH385	左弯针曲柄	Looper holder asm. (LEFT)	1
46	GS040	左弯针曲柄螺钉	Screw	1
47	GN169	左弯针	Looper (LEET)	1
48	GS0138	弯针螺钉	Screw	2
49	GH386	右弯针曲柄	Looper holder asm. (RIGHT)	1
50	GS040	右弯针曲柄螺钉	Screw	1
51	GN170	右弯针	Looper (RIGHT)	1
52	GK187/7	弯针曲柄罩壳部件	Crank cover asm	1
53	GS0139	曲柄罩壳螺钉	Screw	3
54	GR1462	曲柄罩壳孔塞	Rubber plug	1
55	GR1856	曲柄罩壳排油管	Vinyl tube	1
56	GT162	护针凸轮	Needle guard crank rod	1
57	GS48	护针凸轮螺钉	Screw	2
58	GH387	护针连杆	Needle guard crank rod	1
59	GH388	护针叉形曲柄	Rear needle guard rocker fork	1
60	GS019	护针叉形曲柄螺钉	Screw	1
61	GX380	护针曲柄销	Pin	1
62	GR1837	护针曲柄销油线	Oil wick	1
63	GS032	护针曲柄销螺钉	Screw	1
64	G0319	护针轴套	Bushing	1
65	GS48	护针轴套螺钉	Screw	1
66	GZ312	护针轴	Needle guard driving shaft asm	1
67	GR1837	护针轴油线	Oil wick	1
68	GH389	护针曲柄	rear needle guard rocker arm asm	1
69	GS040	护针曲柄螺钉	Screw	1
70	GR1857	摆动护针杆(1/4)	Driving needle guard(1/4)	1
71	GS0100	摆动护针杆螺钉	Screw	1
72	GR1858	护针杆座	Needle guard base	1
73	GS0106	护针杆座螺钉	Screw	2
74	GR1859	左固定护针杆	Counter needle guard, left	1
75	GR1860	右固定护针杆	Counter needle guard, right	1
76	GS096	左固定护针杆螺钉	Screw	2

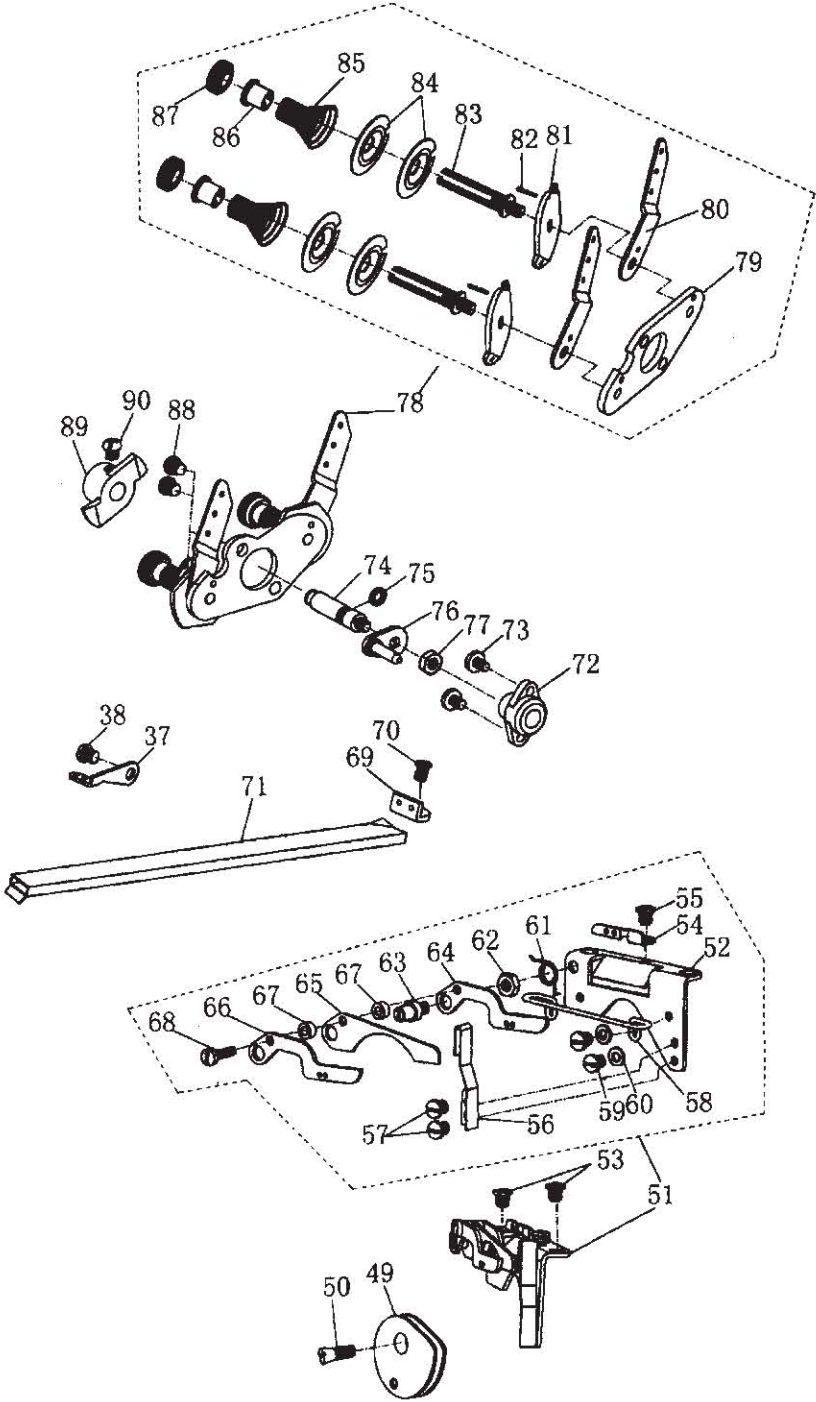
7. 挑线、松线、夹线分组件/Thread take-up, tension, and tension releasing assembly complete



7. 挑线、松线、夹线分组件/Thread take-up,tension,and tension releasing assembly complete

序号 Ref.No	件号 Part NO.	名 称	Description	数量 Amt.
1	GH390	挑线连杆	Thread take-up lever	1
2	GS0140	挑线连杆螺钉	Screw	1
3	GH392	挑线杆	Thread take-up	1
4	GS011	挑线杆紧固螺钉	Screw	2
5	GR1861	挑线杆夹线板	Tension plate	1
6	GW294	挑线杆夹线簧	Tension spring	1
7	GS0141	挑线杆夹线板轴螺钉	Screw	1
8	GK190	挑线杆护罩	Thread take-up lever guard	1
9	GS010	挑线杆护罩螺钉	Screw	1
10	GR1862	线量调节板	Take-up thread tension lever	1
11	GS010	线量调节板螺钉	Screw	1
12	GR1528	调节板螺钉垫圈	Washer	1
13	GR1863	中间导线钩	Frame thread shaft	1
14	GS010	中间导线钩螺钉	Screw	1
15	GZ313	松线轴	Tension release shaft	1
16	GH393/2	面线松线曲柄部件	Tension release arm asm	1
17	GS082	面线松线曲柄螺钉	Screw	1
18	GW295	抬压脚后杠杆弹簧	Spring	1
19	GR1865	后杠杆弹簧固定板	Suspension bracket	1
20	GS81	后杠杆弹簧固定板螺钉	Screw	2
21	GR1507	松线轴挡圈	Snap ring	1
22	GR1866	松线轴油封	Oil seal ring	1
23	GR1867	松线轴环	Tension release shaft spacer	1
24	GR1868	夹线器下安装垫	Spacer (A) for installing plate	1
25	GE1869	夹线器上安装垫	Spacer (B) for installing plate	1
26	GS0142	夹线器上安装垫螺钉	Screw	1
27	GS079	夹线器下安装垫螺钉	Screw	1
28	GR1870/19	面线夹线器部件	Needle thread tension asm.	(1)
29	GR1871	面线单面导线板	Needle thread tension guide plate	2
30	GR1872	面线双面导线板	Tension thread guide	2
31	GS0143	夹线螺钉	Looper thread tension post	2
32	GR1488	面线夹线板	Tension disc	4
33	GR1873	面线松线座	Tension disc presser post	2
34	GW251	面线夹线簧	Tension spring	2
35	GR1490	面线止动板	Tension disc stopper	2
36	GL34/2	面线夹线螺母部件	Tension nut	2
37	GR1875	导线钩	Frame thread guide	2
38	GS010	导线钩螺钉	Screw	1
39	GR1876	面线松线爪	Tension release latch	1
40	GS082	面线松线爪螺钉	Screw	1
41	GR1907	过线板架	Tension controller installing plate	1
42	GR1908	过线板	Take-up thread guide	1
43	GR1493	过线夹线板	Attachment installing plate	1
44	GW299	过线夹线簧	Take-up thread tension spring	1
45	GS0149	过线夹线螺钉	Take-up thread tension pose	1
46	GR1986	松线板	Thread tension release guide latch	1
47	GS043	松线板螺钉	Screw	1
48	Gs010	过线板螺钉	Screw	2

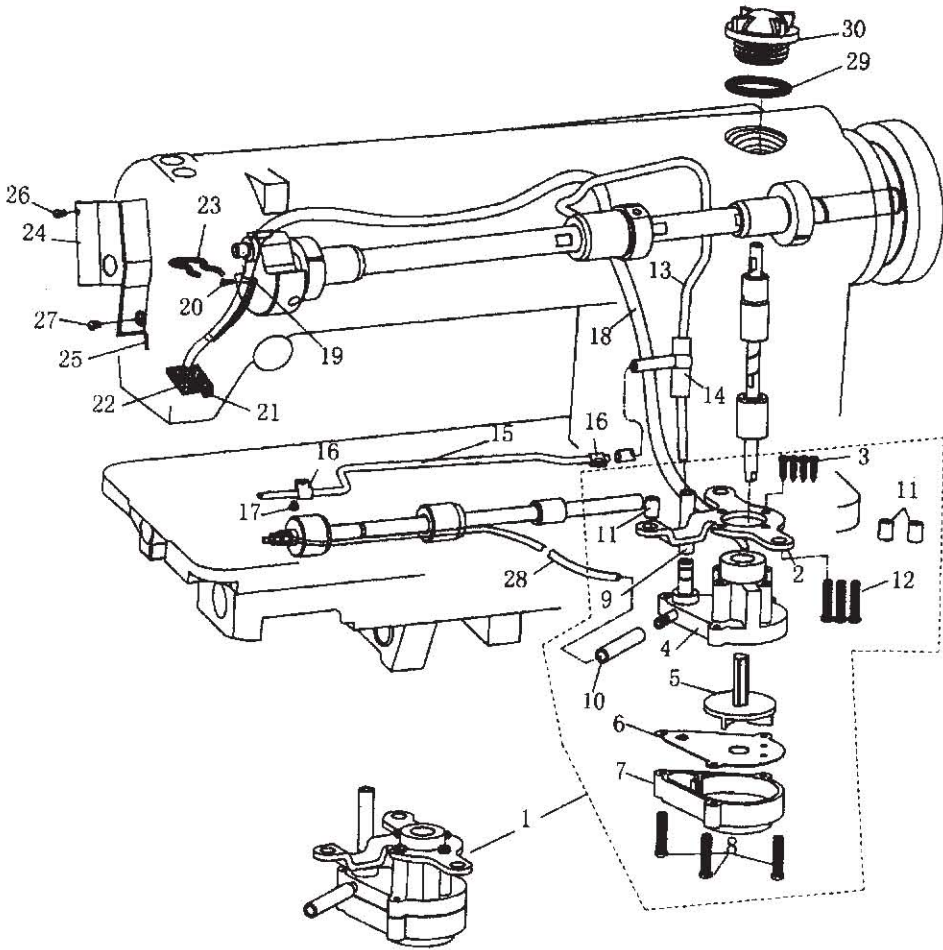
7. 挑线、松线、夹线分组件/Thread take-up,tension,and tension releasing assembly complete



7.挑线、松线、夹线分组件/Thread take-up,tension,and tension releasing assembly complete

序号 Ref.No	件号 Part NO.	名 称	Description	数量 Amt.
49	GR1877	底线打线凸轮	Looper thread take-up cam	1
50	GS0144	底线打线凸轮定位螺钉	Screw	1
51	GR1878/20	凸轮导线钩部件	Looper thread guide asm.	1
52	GR1879	凸轮导线架	Thread guide plate	1
53	GS010	凸轮导线架螺钉	Screw	2
54	GR1880	底线双线导线钩	Looper thread guide	1
55	GS069	底线双线导线钩螺钉	Screw	1
56	GW296	底线导线止动簧	Thread guide stopper spring	1
57	GS069	底线导线止动簧螺钉	Screw	2
58	GR1881	底线脱线钢丝	Cast-off wire	1
59	GS44	底线脱线钢丝螺钉	Screw	2
60	GR1882	底线脱线钢丝螺钉垫圈	Washer	2
61	GW297	底线导线簧	Thread guide stud	1
62	GL31	凸轮过线螺钉螺母	Nut	1
63	GS0145	凸轮过线螺钉	Thread guide stud	1
64	GR1883	凸轮导线钩(右)	Looper thread guide, right	1
65	GR1884	凸轮脱线爪	Cast-off wire	1
66	GR1885	凸轮导线钩(左)	Looper thread guide , left	1
67	GR1886	凸轮导线环	Collar	2
68	GS065	凸轮导线钩螺钉	Screw	1
69	GR1887	底线导线钩	Looper thread guide	1
70	GS0146	底线导线钩螺钉	Screw	1
71	GR1888	底线导线管	Looper thread guide tube	1
72	GR1889	松线轴套	Tension release shaft bushing	1
73	GS0150	松线轴套螺钉	Screw	2
74	GZ314	底线松线轴	Looper thread release shaft	1
75	GR1503	底线松线轴O型圈	Rubber ring	1
76	GH395/2	底线松线轴曲柄部件	Tension release arm asm	1
77	GL31	底线松线轴螺母	Nut	1
78	GR1891/19	底线夹线器部件	Lower thread tension asm.	1
79	GR1892	夹线器安装板	Tension installing plate	(1)
80	GR1893	底线单面导线板	Looper thread tension control plate	2
81	GR1894	底线双面导线板	Thread guide	2
82	GX382	底线夹线板止转销	Spring pin	2
83	GS04143	夹线螺钉	Looper thread tension post	2
84	GR1895	底线夹线板	Tension disc	4
85	GW298	底线夹线簧	Looper thread tension spring	2
86	GR1896	底线夹线止转圈	Tension spring bushing	2
87	GL36	底线夹线螺母	Tension post nut	2
88	GS81	夹线器安装板螺钉	Screw	2
89	GR1897	底线松线爪	Looper thread release latch	1
90	Gs082	底线松线爪螺钉	Screw	1

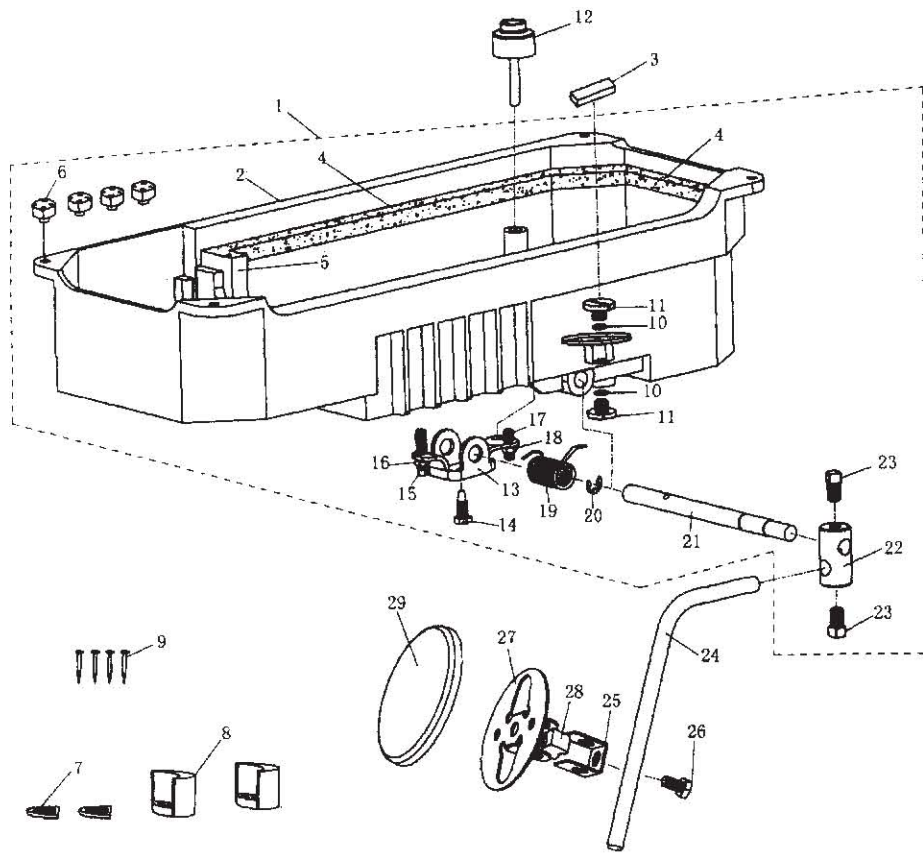
8. 润滑分组件/Lubrication



8. 润滑分组件/Lubrication

序号 Ref.No.	件号 Part NO.	名 称	Description	数量 Amt.
1	GR1899/21	油泵部件	Lubricating oil pump asm.	(1)
2	GR1549	油泵安装板	Oil pump installing base	1
3	GS553	油泵安装螺钉	Screw	4
4	GR1551	油泵体	Lubricating oil	1
5	GR1900	油泵叶轮	Oil pump impeller	1
6	GR1553	油泵叶轮托板	Oil pump impeller cover	1
7	GR1554/2	油泵盖部件	Lubricating oil pump cover	1
8	GS554	油泵盖螺钉	Screw	3
9	GR1557G	上轴供油管接头	Rubber joint	1
10	GR1559G	下轴供油管接头	Rubber joint	1
11	GR1901	油泵垫圈	Collar	3
12	GS0109	油泵螺钉	Screw	3
13	GR1902	上轴供油管	Main shaft oil tube	1
14	GR1903	齿轮供油管橡皮接头	Oil sight window base	1
15	GR1904	齿轮供油管	Gear oil pipe	1
16	GR1566	齿轮供油管夹	Holder	2
17	GS81	齿轮供油管夹螺钉	Screw	2
18	GR1565	回油管	Oil felt presser	1
19	GR1566	回油管夹	Oil felt presser	1
20	GS81	回油管夹螺钉	Screw	1
21	GR1567	回油除尘毡	Oil felt presser	1
22	GR1568	回油毡	Oil felt	1
23	GR1569	回油毡夹	Oil felt presser	1
24	GR1906	面部挡油板	Arm oil shield	1
25	GR1735	面部挡油板油线	Oil wick	1
26	GS069	面部挡油板上螺钉	Screw	1
27	GS010	面部挡油板下螺钉	Screw	1
28	GR1909	下轴供油管	Oil tube	1
29	GR1562	油窗 O 形圈	O-Rubber ring	1
30	Gr1561	油窗	Oil sight window	1

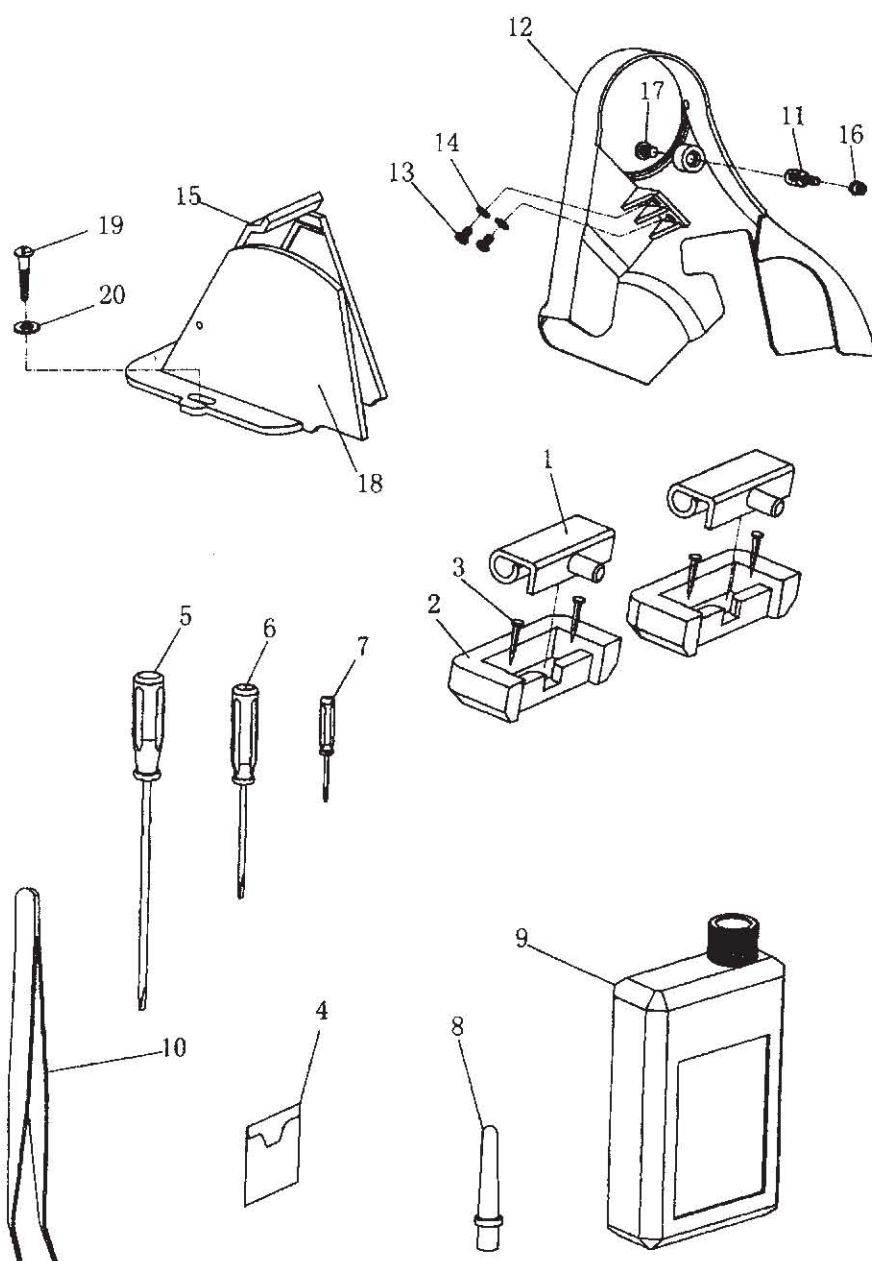
9. 油盘、膝抬压脚分组件/Oil reservoir & knee lifter components



9. 油盘、膝抬压脚分组件/Oil reservoir & knee lifter components

序号 Ref.No.	件号 Part NO.	名 称	Description	数量 Amt.
1	GR1910/23	油盘部件	Oil reservoir asm.	(1)
2	GR1911	油盘	Oil reservoir	1
3	GR1576	油盘磁铁	Oil reservoir magnet	1
4	GR1912	油盘侧面垫	Gasket	2
5	GR1913	油盘端面垫	Gasket	1
6	GR1577	机头座垫	Rubber cushion	4
7	GR1578	油盘座垫	Oil reservoir felt cushion	2
8	GR1579	油盘支座	Oil reservoir rubber cushion	2
9	GBX105	油盘座钉	Nail	4
10	GR1575	排油螺钉O型圈	Oil drain cap gasket	2
11	GS02	排油螺钉	Oil drain screw	2
12	GR1581	抬压脚顶销	Knee press lifter rod	1
13	GR1582	抬压脚双向曲柄	Lifting	1
14	GS056	双向曲柄螺钉	Positioning screw	1
15	GS057	双向曲柄限位螺钉	Positioning screw	1
16	GL21	双向曲柄限位螺母	Nut	1
17	GS058	双向曲柄调节螺钉	Positioning screw	1
18	GL21	双向曲柄调节螺母	Nut	1
19	GW261	双向曲柄扭簧	Spring	1
20	GR1583	抬压脚轴开口挡圈	Thrust ring	1
21	GZ283	抬压脚轴	Knee press rod	1
22	GR1584	抬压脚操纵杆节头	Bearing bracket	1
23	GS059	操纵杆节头螺钉	Clamp screw	2
24	GR1586	操纵杆	Knee lifter plate rod	1
25	GR1587	操纵板节头	Knee press plate cover joint	1
26	GKS106	操纵板节头螺钉	Screw	1
27	GR1588	操纵板	Knee press plate	1
28	GR1588-1	操纵板橡胶垫块	Knee press plate spring	1
29	GKR13	操纵板软垫	Knee press plate cover	1

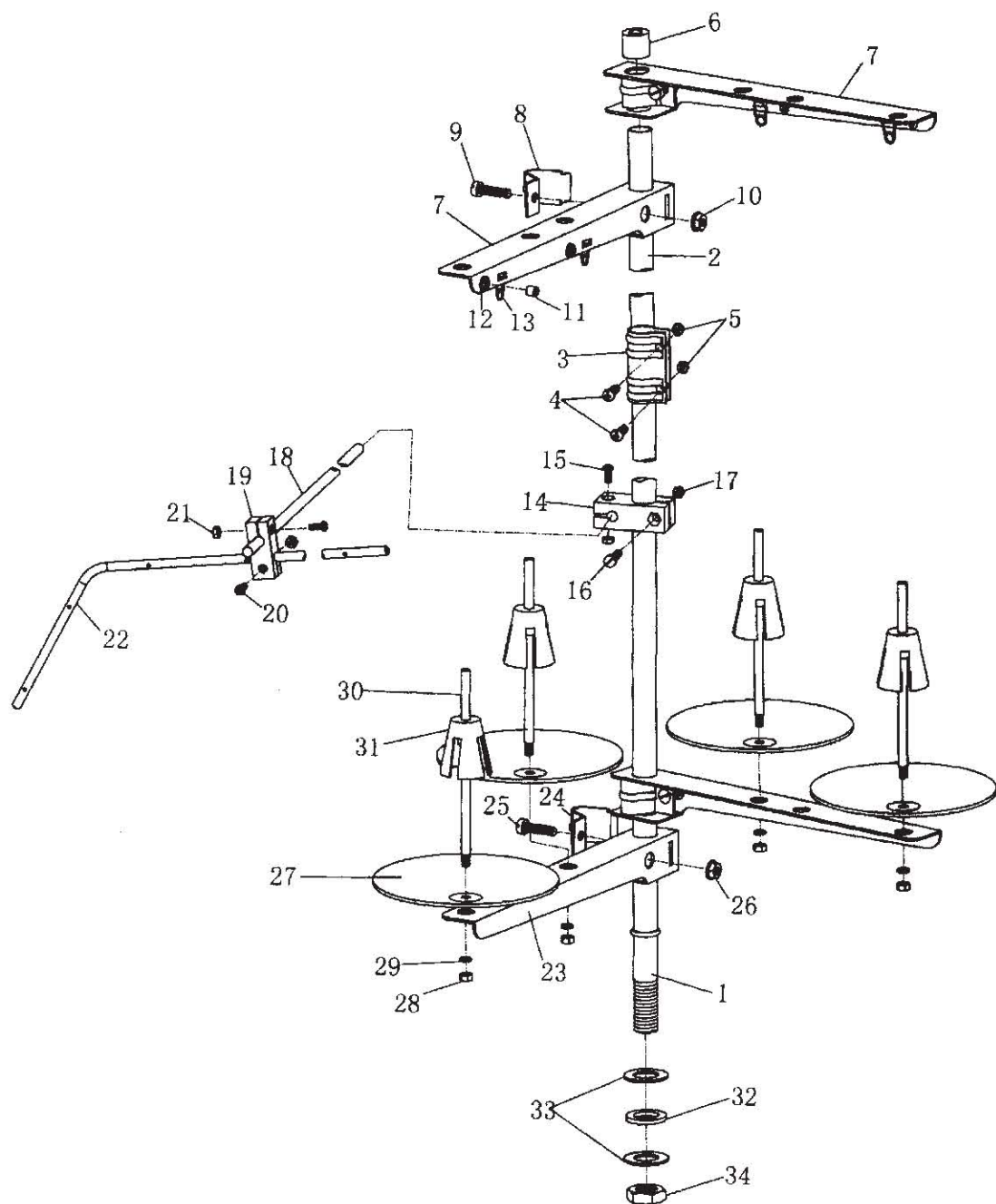
10. 机头附件/Machine head accessoires



10. 机头附件/Machine head accessoires

序号 Ref.No.	件号 Part NO.	名 称	Description	数量 Amt.
1	GR1590/2	机头连接钩部件	Machine hinge plate asm.	2
2	GR1593	机头连接钩座	Machine hinge plate	2
3	GBX105	机头连接钩座钉	Nail	4
4	GV18	机针	Needle	1包
5	GR1601	旋具 (大)	Screw driver (L)	1
6	GR1602	旋具 (中)	Screw driver (M)	1
7	GR1603	旋具 (小)	Screw driver (S)	1
8	GBR148	机头支柱	Machine rest pin	1
9	GR1604/3	油壶部件	Lubricating unit case asm.	1
10	GR558/2	镊子	Tweezer	1
11	GS0121	上轮罩壳支柱	Belt cover support stud	1
12	GR1447	上轮罩壳	Beltcover. A	1
13	GS062	上轮罩壳螺钉	Screw	2
14	GR1599	上轮罩壳螺钉垫圈	Washer	2
15	GR1448	后罩壳盖	Beltcover B cover asm	1
16	GL38	上轮罩壳支柱螺母	Nut	1
17	GS0574	上轮罩壳紧固螺钉	Screw	1
18	GR1449	上轮后罩壳	Beltcover B	1
19	GBS120	上轮后罩壳木螺钉	Driving belt cover wood screw	2
20	GBR147	罩壳木螺钉垫圈	Wood screw washer	2

11. 四线团架分组件/Quadruple-thread spool stand asm



11. 四线团架分组件/Quadruple-thread spool stand asm

序号 Ref.No.	件号 Part NO.	名 称	Description	数量 Amt.
1	GZ315	线架杆下节	Spool rest rod (UPPER)	1
2	GZ316	线架杆上节	Spool rest rod (LOWER)	1
3	GR1932	线架杆接头	Spool rested joint	1
4	GBM5-17	线架杆接头螺钉	Screw	2
5	GBM5-8	线架杆接头螺母	Nut	2
6	GR1744	线架杆预防橡皮	Spool rest rod rubber cap	1
7	GR1825	线架过线杆	Thread guide asm.	2
8	GR1745	线架过线夹	Thread guide asm joint	2
9	GS558	线架过线夹螺钉	Screw	2
10	GL23A	线架过线夹螺母	Nut	2
11	GR1784A	导线圈	Thread guide ring	4
12	GR1784A-1	导线圈橡胶套	Thread guide ring of rubber cap	4
13	GR1784B	导线圈	Thread guide ring	4
14	GR1933	线架导线杆夹	Thread guide arm holder	1
15	GS149	线架导线杆夹螺钉(A)	Screw	1
16	GS113	线架导线杆夹螺钉(B)	Screw	1
17	GL157	线架导线杆夹螺母	Nut	2
18	GZ317	线架导线杆	Thread guide asm.	1
19	GR1934	线架导线杆过线夹	Thread guide arm holder	1
20	GS231	线架导线杆过线夹螺钉	Screw	2
21	GL110	线架导线杆过线夹螺母	Nut	2
22	GR1935	线架导线杆过线	Lower thread guide	1
23	GR1825	线盘架	Spool rest arm.	2
24	GR1745	线盘架夹	Thread guide arm joint	2
25	GS558	线盘架夹螺钉	Screw	2
26	GL23A	线盘架夹螺母	NUT	2
27	GR1811	线盘	Spool rest	4
28	GL23	线盘钉螺母	Nut	4
29	GR1626	线盘钉弹簧垫圈	Spring washer	4
30	GS067	线盘钉	Spool pin	4
31	GR1215	线盘钉橡皮夹	Spool vibration stopper	4
32	GR1696	线架杆紧固螺母垫圈	Washer	2
33	GR1753	线架杆防震橡皮圈	Rubber washer	2
34	GL158	线架杆紧固螺母	Nut	2

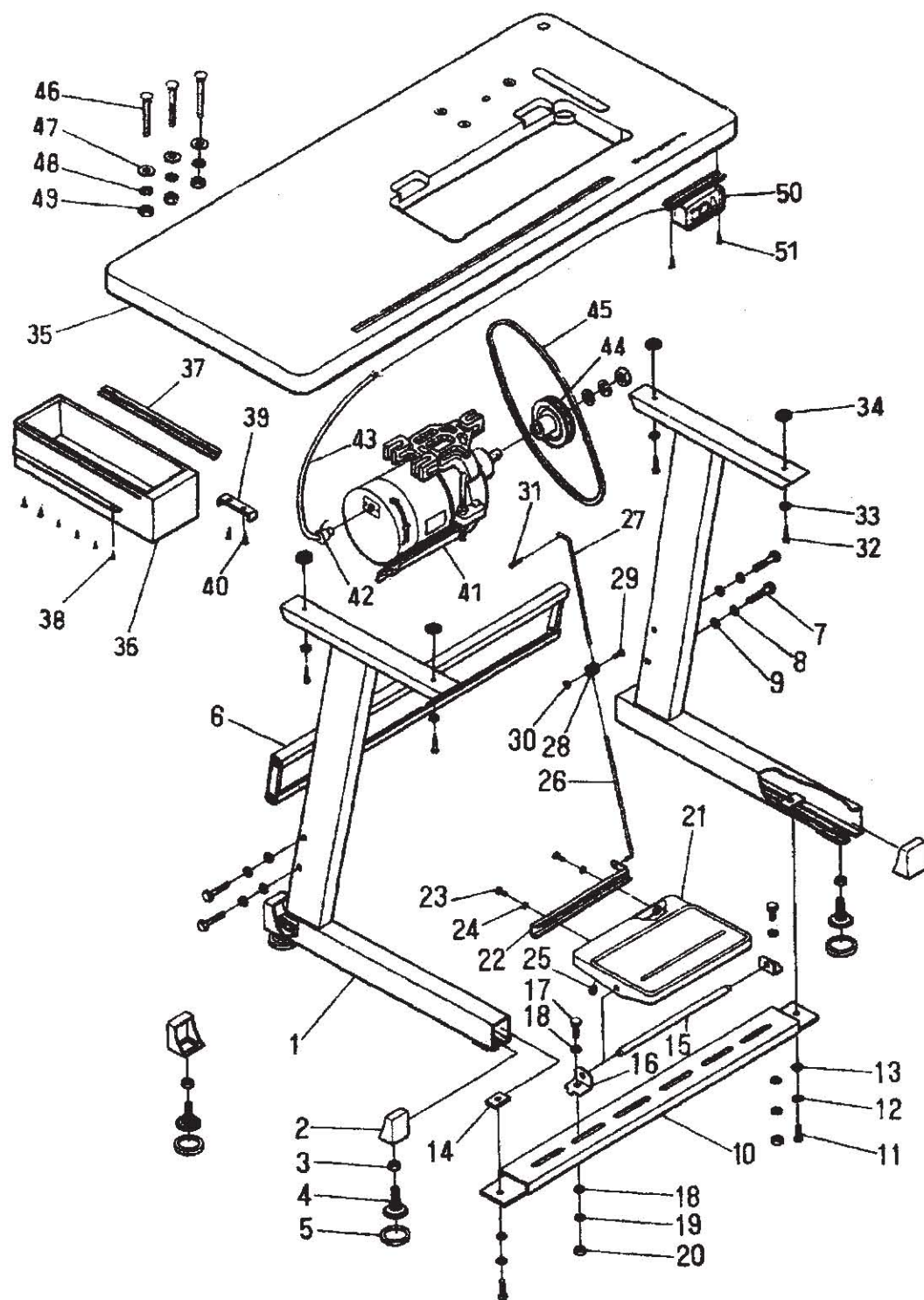
注:

机 型	线 架 规 格
3881	二线架组件
3882	四线架组件
3883	六线架组件

Note:

Style	Specifications
CM-3881	2-thread
CM-3882	4-thread
CM-3883	6-thread

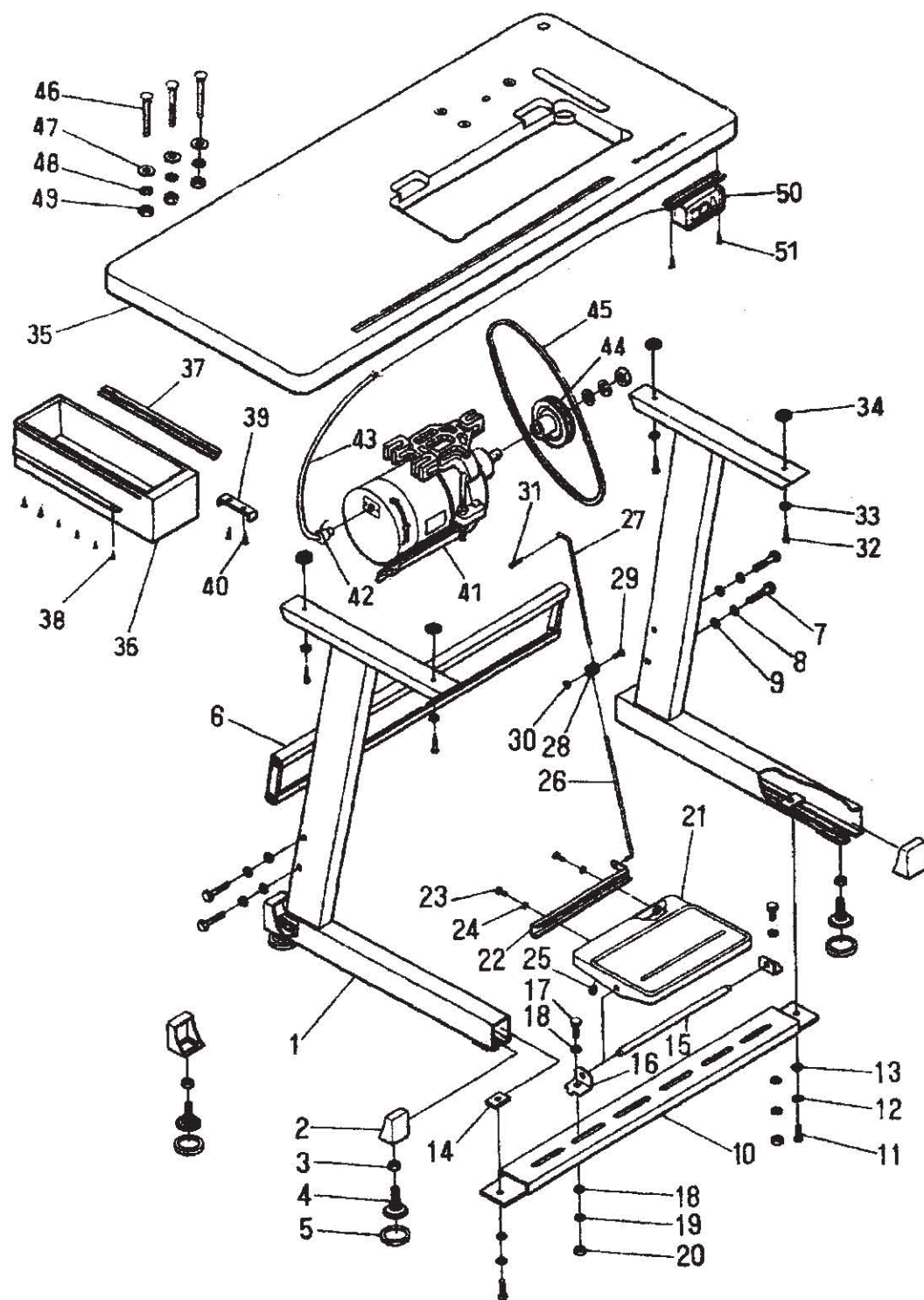
12. 机架、台板、电器分组件/Machine stand,table and electric appliance components



12. 机架、台板、电器分组件/Machine stand,table and electric appliance components

序号 Ref.No.	件号 Part NO.	名 称	Description	数量 Amt.
1	GKR193/5	边架部件	Stand side asm	2
2	GKR194	边架座套	Rubber cushion	4
3	GKL104	调节座螺母	Nut	4
4	GKR196/2	调节座	Screw	4
5	GKR198	调节座胶垫	Spring washer	4
6	GKR173/3	横档部件	Stand side support asm	1
7	GKS119	横档连接螺钉	Screw	4
8	GKR176	边架柱弹簧垫圈	Spring washer	4
9	GR253	边架柱垫圈	Washer	4
10	GKR178/3	踏板轴档部件	Treadle brace asm	1
11	GKS110	踏板轴档螺钉	Screw	2
12	GKR122	踏板轴档垫圈	Washer	2
13	GKR106	踏板轴档弹簧垫圈	Spring washer	2
14	GKR181	踏板轴档定位螺母板	Treadle brace locknut plate	2
15	GKX106	踏板轴	Treadle shaft	1
16	GKR184	踏板轴座	Treadle bracket	2
17	GKS110	踏板轴座螺钉	Screw	2
18	GKR122	踏板轴座垫圈	Washer	4
19	GKR106	踏板轴座弹簧垫圈	Spring washer	2
20	GKL102	踏板轴座螺母	Nut	2
21	GKR182	踏板	Treadle	1
22	GKR111	踏板杠杆	Treade pitman	1
23	GKS102	踏板杠杆螺钉	Screw	2
24	GKR112	踏板杠杆垫圈	Washer	2
25	GKL102	踏板杠杆螺母	Nut	2
26	GKR116	下拉杆	Pitman rod, lower	1
27	GKR118	上拉杆	Pitman rod, upper	1
28	GKR183	拉杆接头	Joint	1
29	GKS110	拉杆接头螺钉	Joint screw	1
30	GKL101	拉杆接头螺母	Joint nut	1
31	GKX101	上拉杆开口销	Pitman rod split pin(uoocer)	1
32	GBS114	台板木螺钉	Table wood screw	4
33	GKR112	台板木螺钉垫圈	Table wood screw washer	4
34	GKR186	台板垫圈	Table washer	4
35	GBR150	台板	Table	1
36	GBR151	抽斗	Drawer	1
37	GBR152	抽斗导轨	Drawer rail	2
38	GBS121	抽斗导轨木螺钉	Drawer rail wood screw	6
39	GBR153	抽斗限位板	Drawer limit plate	1
40	GBS120	抽斗限位板木螺钉	Drawer limit plate wood screw	2

12. 机架、台板、电器分组件/Machine stand,table and electric appliance components

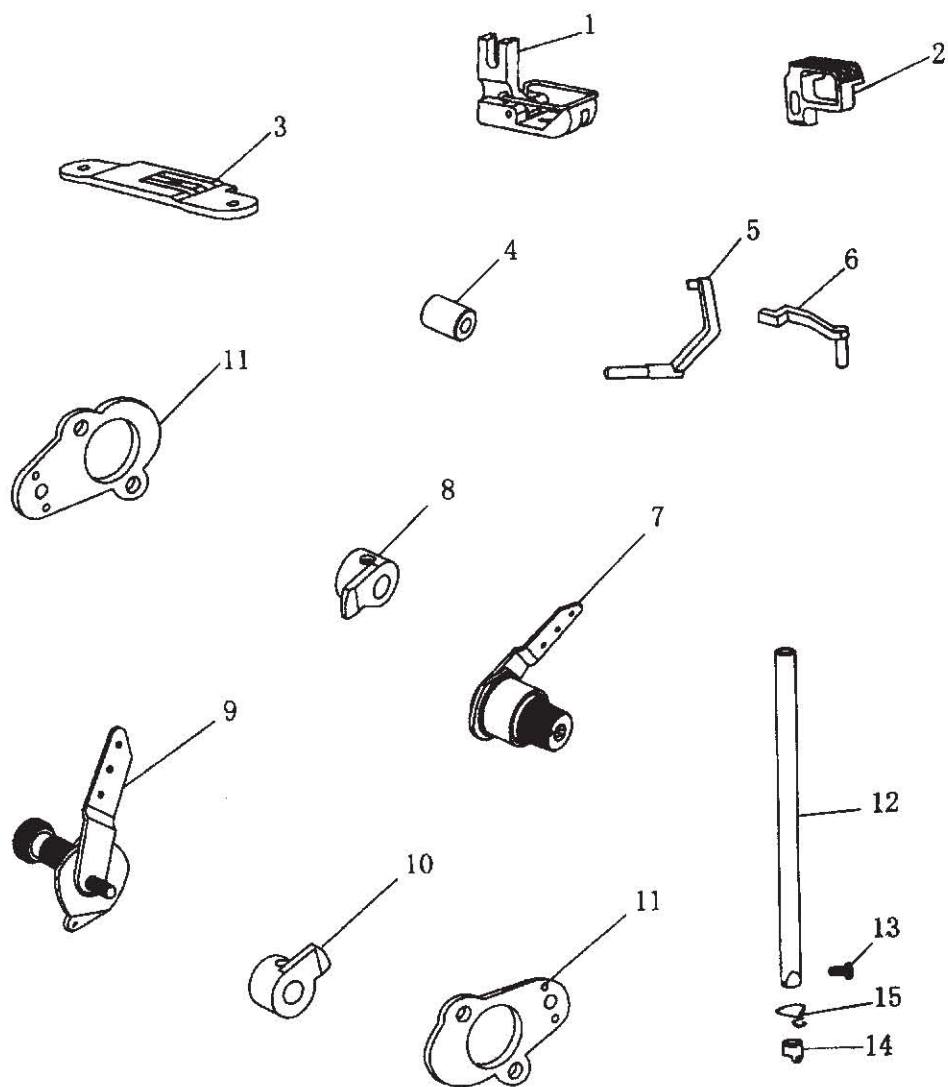


12. 机架、台板、电器分组件/Machine stand,table and electric appliance components

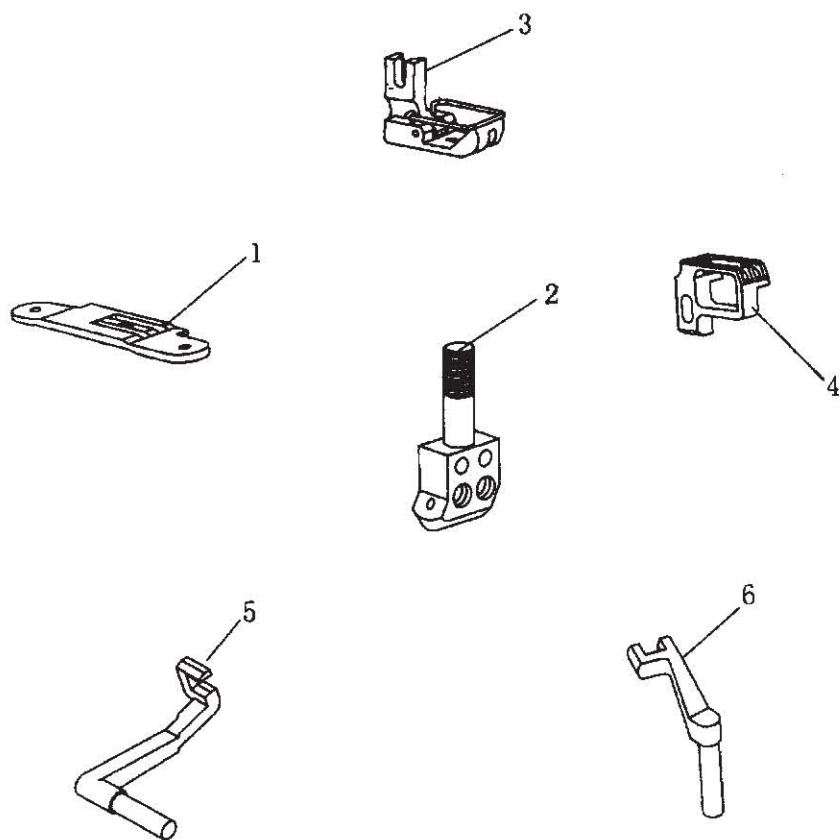
序号 Ref.No.	件号 Part NO.	名 称	Description	数量 Amt.
41	GD234	GFC4024型电机	Model GFC4024 motor	1
42	GD219	电机接线插头	Motor connecting wire plug	1
43	GD108	电机接线	Motor wire	1
44	GD233	电动机带轮	Motor pulley	1
45	GE122	机头传动带	Machine driving belt	1
46	GKS122	电机台板连接螺钉	Motor&table connecting screw	3
47	GKR209	电机台板连接垫圈	Motor&table connecting washer	3
48	GKR106	电机台板连接弹簧垫圈	Motor&table connecting spring washer	3
49	GKL101	电机台板连接螺母	Motor&table connecting nut	3
50	GD227	电源开关	Power source switch	1
51	GBS104	电源开关木螺钉	Power source switch wood screw	2

*本分组件需另行订购

14. 3881专用件/CM-3881 Special parts



15. 3882专用件/CM-3882 Special parts



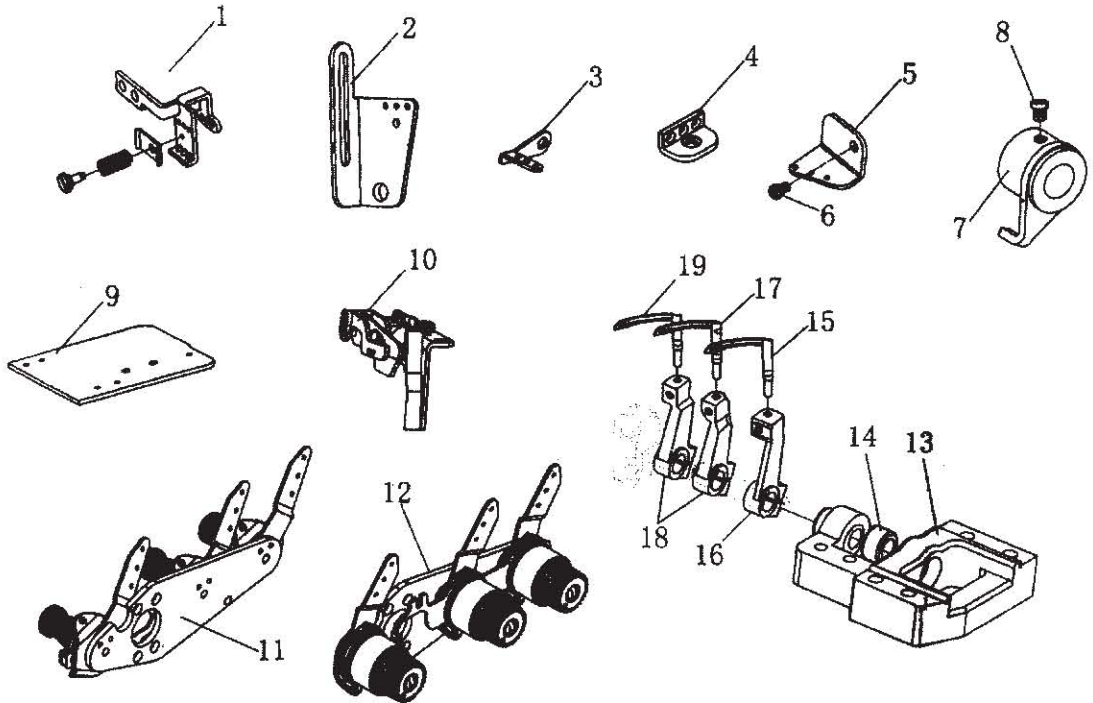
16. 3883S专用件/CM-3883S Special parts

名称 Name	针板 Throat plate	针夹 Needle clamp	压脚 Presser foot asm.	送料牙 Feed dog	摆动护针杆 Rear moving needle guard	左固定护针杆 Left needle guard
件号 Part.No.	GM248-S	GR1826-S	GM246/5-S	GM247-S	GR1857-S	GR1859-S
数量 Amt.req.	1	1	1	1	1	1
图示 Solid drawing						

16. 3883P专用件/CM-3883P Special parts

名称 Name	针板 Throat plate	针夹 Needle clamp	压脚 Presser foot asm.	送料牙 Feed dog	摆动护针杆 Rear moving needle guard	左固定护针杆 Left needle guard
件号 Part.No.	GM248-P	GR1826-P	GM246/5-P	GM247-P	GR1857-P	GR1859-P
数量 Amt.req.	1	1	1	1	1	1
图示 Solid drawing						

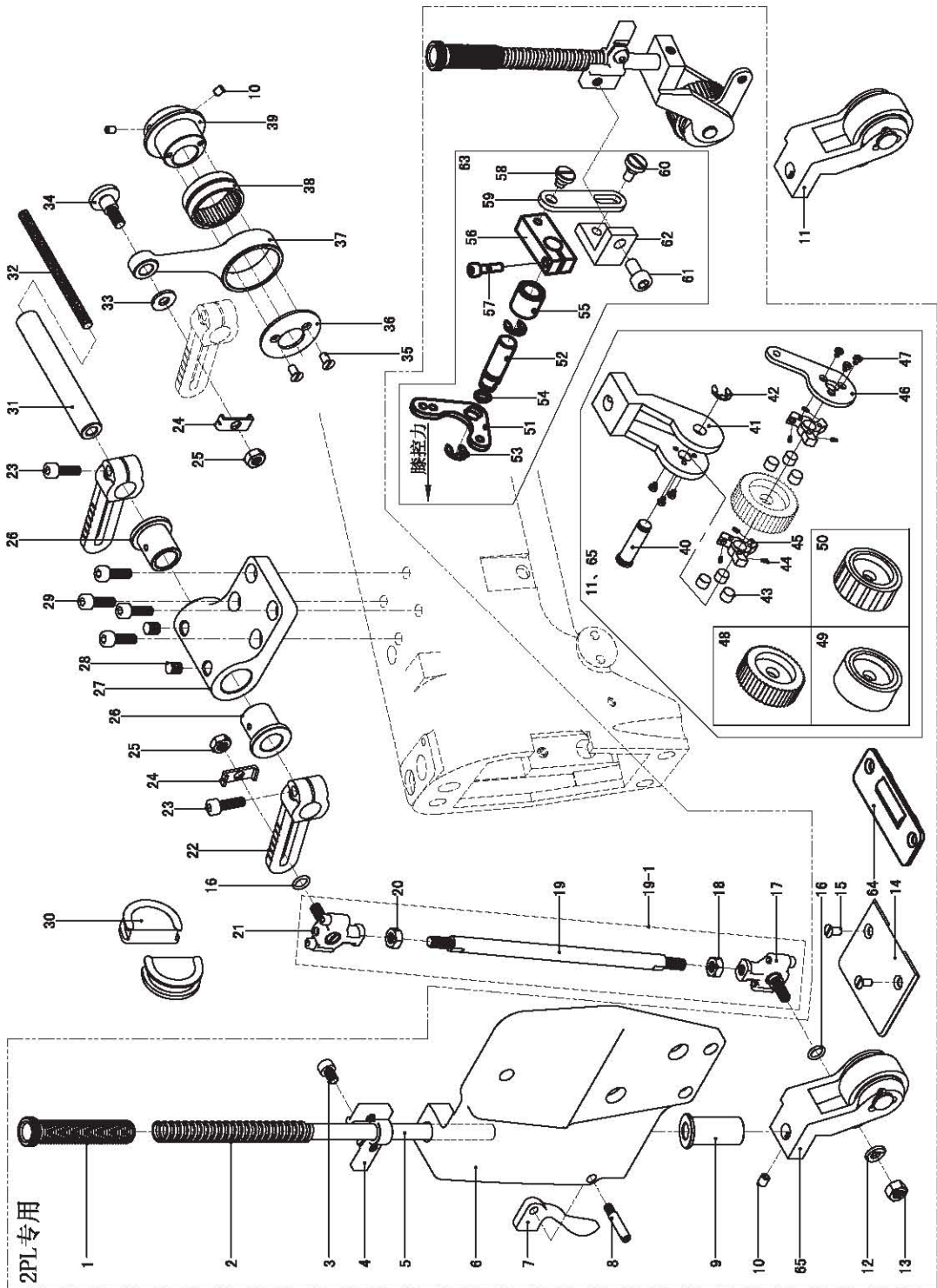
16. 3883S、3883P通用件/CM-3883S、CM-3883P interchangeable parts



16. 3883S、3883P通用件/CM-3883S、CM-3883P interchangeable parts

序号 Ref.No.	件号 Part NO.	名称	Description	数量 Amt.
1	GH391/4-S-P	挑线杆部件	Thread take-up asm.	1
2	GR1863-S-P	中间导线勾	Frame thread shaft	1
3	GR1875-S-P	导线勾	Frame thread guide	2
4	GR1887-S-P	底线导线勾	Looper thread guide	1
5	GR1907-S-P	过线板架	down thread guide	1
6	GS042	过线板架螺钉	Screw	4
7	GR1876/2-S-P	松线爪组件	Tension release latch asm.	2
8	GS010	松线爪组件螺钉	Screw	4
9	GM243-S-P	凸轮盖	Cam cover	1
10	GR1878-S-P	凸轮导线钩部件	Looper thread guide asm.	1
11	GR1891-S-P	底线夹线器部件	Lower thread tension asm.	1
12	GR1870-S-P	面线夹线器部件	Needle thread tension asm.	1
13	GR1855-S-P	弯针架座	Looper mounting base	1
14	G0318-S-P	弯针摆轴后套	Bushing, rear	1
15	GN169	前弯针	Looper (Left)	1
16	GH385-S-P	前弯针曲柄	Looper holder asm. (Left)	1
17	GN170-S-P	中弯针	Looper (mid)	1
18	GH386-S-P	后弯针曲柄	Looper holder asm. (mid)	2
19	GN000-S-P	后弯针	Looper (right)	1

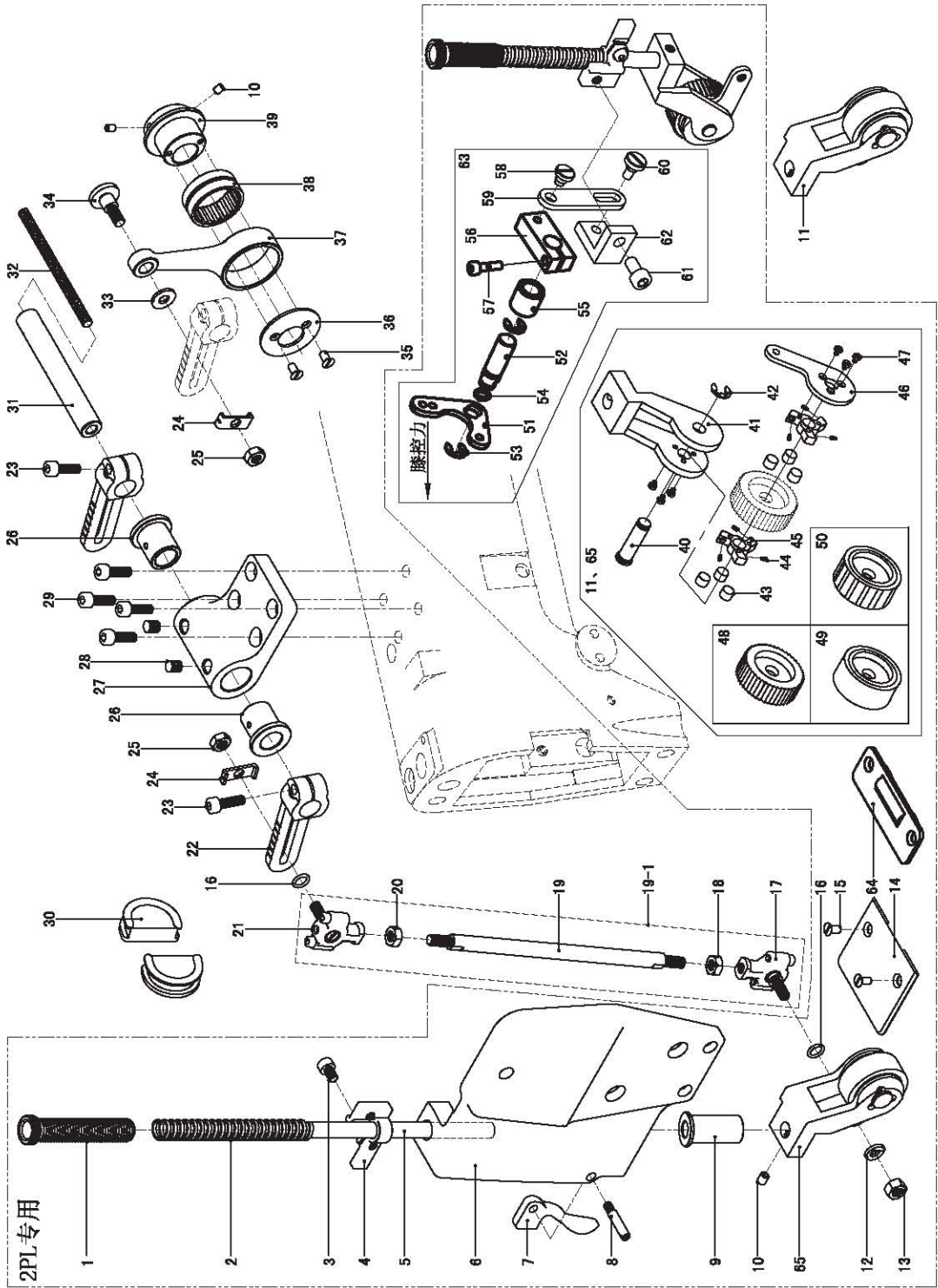
17. MPLA、2PL拖轮装置部件/MPLA、2PL tugboat device components



17. MPLA、2PL拖轮装置部件/MPLA、2PL tugboat device components

序号 Ref.No.	件号 Part NO.	名 称	Description	数量 Amt.
1	927BT001	调节螺丝	Screw	1
2	V18-2	压簧	Presser bar spring	1
3	LD00044	内六角圆柱头螺钉M5×10	Screw M5×10	1
4	V18-4	压杆夹	Presser bar clamp	1
5	927PL026	压杆轴	Presser bar	1
6	V18-6	面板	Face plate	1
7	927PL030	扳手	Presser foot lifter	1
8	927PL029	扳手轴销	Support stud	1
9	927PL031	压杆轴套	Presser bar bush	1
10	LD00003	内六角紧定螺钉M6×6	Screw M6×6	3
11	V18-11	上拖轮组件(铁齿拖轮)	The tug assembly(Iron gear)	1
11	V18-11-J	上拖轮组件(胶拖轮)	The tug assembly(Rubber wheel)	1
11	V18-11-T	上拖轮组件(胶齿拖轮)	The tug assembly(Plastic gear)	1
12	DQ00014	弹簧垫圈6	Spring washer	1
13	A4-11	螺母SM7/32"×32	Nut SM7/32"×32	1
14	V18-14	拖轮压板	Tug plate	1
15	LD000184	沉头螺钉SM11/64"×40	Screw SM11/64"×40	2
16	OXQ00012	O形圈	O ring	2
17	927PL017	关节轴承组件(下)	Plain Bearings (Lower)	1
18	LM00018	螺母M6(左旋)	Nut M6-LH	1
19	927PL015	连接轴	Shaft for linking balls	1
20	LM00006	螺母M6	Nut M6	1
21	927PL013	关节轴承组件(上)	Plain Bearings (Upper)	1
22	927PL004	调节连杆	Adjusting rod	2
23	K6-5	内六角圆柱头螺钉M5×16	Screw M5×16	2
24	927PL010	指示压板	Indicating plate	2
25	A6-25	螺母SM15/64"×28	Nut SM15/64"×28	2
26	V18-26	轴套	Sleeve	2
27	V18-27	直驱轴支座	Direct drive shaft bearing	1
28	V18-28	油毡	Felt	2
29	FJ8-16-1	内六角圆柱头螺钉M6×10	Screw M6×10	4
30	927PL008	橡胶塞	Plug	2
31	V18-31	直驱轴	Shaft	1
32	V18-32	油毡	Felt	1
33	DQ00039	平垫圈6	Washer	1
34	927PL011	轴位螺钉	Screw	1
35	LD00046	开槽圆柱头螺钉SM1/8"×44	Screw SM1/8"×44	2
36	V18-36	偏心轮挡片	Crank cover	1
37	V18-37	连杆	Connecting rod	1
38	V18-38	实体套圈滚针轴承	Bearing	1

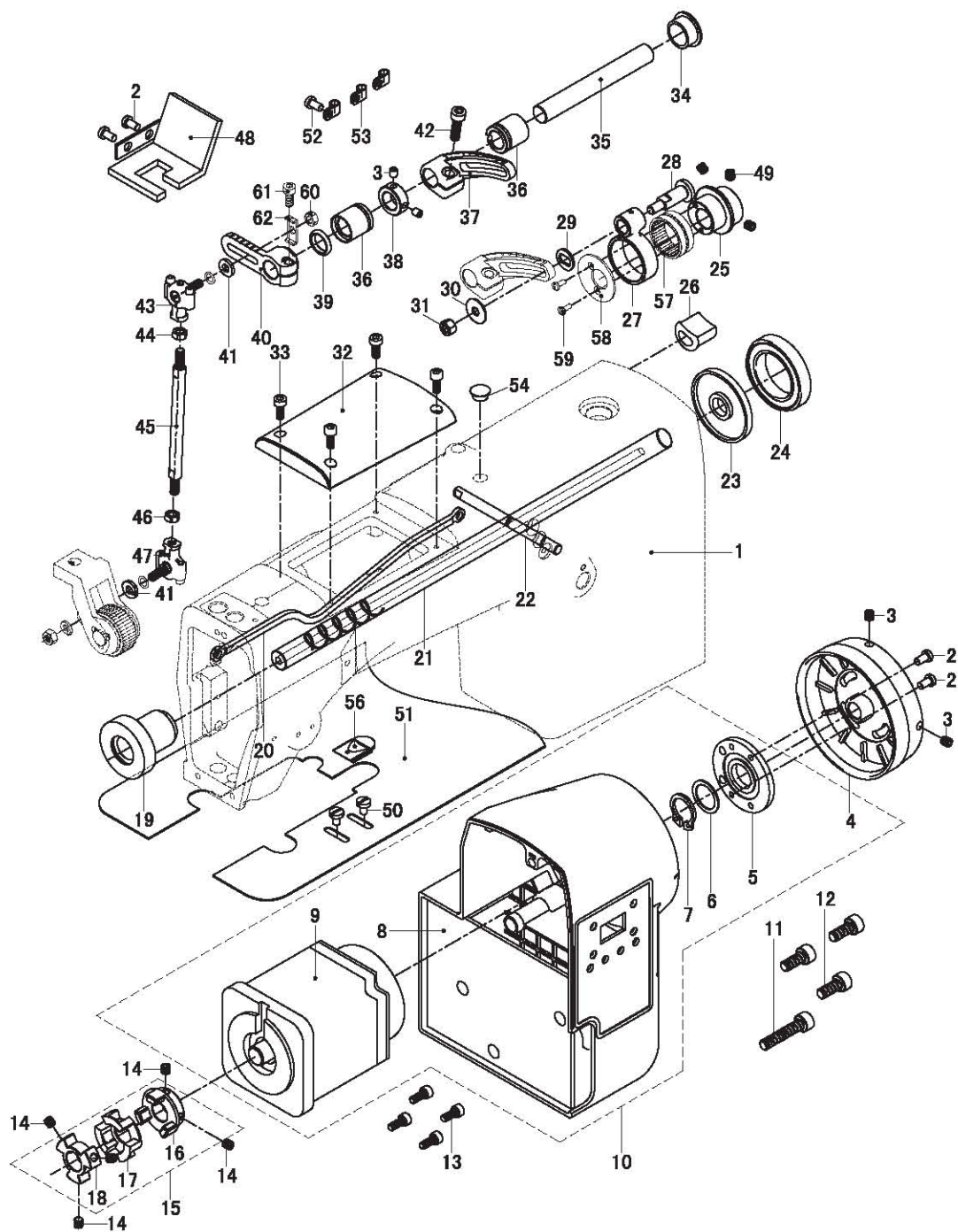
17. MPLA、2PL拖轮装置部件/MPLA、2PL tugboat device components



17. MPLA、2PL拖轮装置部件/MPLA、2PL tugboat device components

序号 Ref.No.	件号 Part NO.	名称	Description	数量 Amt.
39	V18-39	偏心轮	Eccentric wheel	1
40	V18-40	拖布轮轴	Puller Shaft	1
41	V18-41	上拖轮支架	Upper puller Stent	1
42	TDQ00006	开口挡圈6	Ring	1
43	927PL052	滚子	Rolling shaft	6
44	TH00024	弹簧	Spring	6
45	927PL054	星轮	Star ferry	2
46	927PL055	星轮连杆	Star ferry link	1
47	LD00170	开槽圆柱头螺钉SM3/32" ×56	Screw SM3/32" ×56	6
48	V18-48	上拖布铁轮	Wheel(Lron)	1
49	V18-49	上拖布胶轮(平)	Wheel(Glue)	1
50	V18-50	上拖布胶轮(带齿)	Wheel(Glue)	1
51	V18-51	抬压脚前杠杆片	Leverage tablets	1
52	V18-52	抬压脚前杠杆轴	Lever shaft	1
53	V18-53	开口挡圈7	Ring	2
54	V18-54	O形圈	O ring	1
55	V18-55	抬压脚前杠杆轴套	Sleeve	1
56	V18-56	抬压脚曲柄	Crank	1
57	V18-57	内六角圆柱头螺钉M4×16	Screw M4×16	1
58	V18-58	轴位螺钉	Screw	1
59	V18-59	小连杆	Small rod	1
60	V18-60	轴位螺钉	Screw	1
61	V18-61	内六角圆柱头螺钉SM15/64" ×28	Screw SM15/64" ×28	1
62	V18-62	压杆夹连接座	Connecting seat	1
63	V18-63	联动抬压脚组件	Linkage presser foot assembly	1
64	V18-64	下从动轮组件	Under the driven wheel assembly	1
65	V18-65	上拖轮组件(铁齿拖轮)	The tug assembly(Iron gear)	1
65	V18-65-J	上拖轮组件(胶拖轮)	The tug assembly(Rubber wheel)	1
65	V18-65-T	上拖轮组件(胶齿拖轮)	The tug assembly(Plastic gear)	1

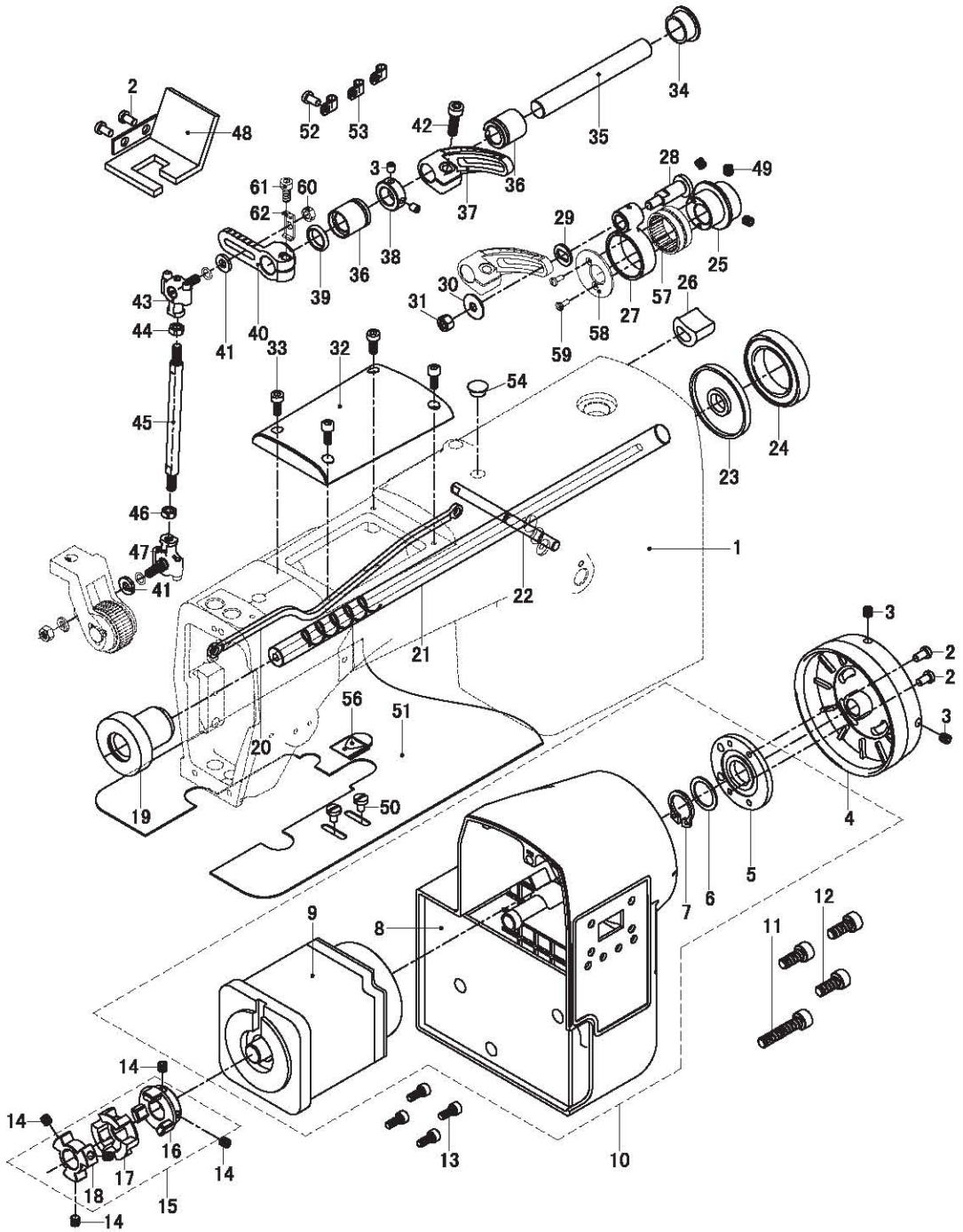
18. 3880直驱一体机部件/3880 Direct drive one mechanism



18. 3880直驱一体机部件/3880 Direct drive one mechanism

序号 Ref.No.	件号 Part NO.	名 称	Description	数量 Amt.
1	V20-01	机壳	Machine Frame	1
2	V20-02	十字槽盘头螺钉M5×9	Screw	4
3	V20-03	内六角紧定螺钉M5×5	Screw	4
4	V20-04	手轮	Hand wheel	1
5	V20-05	定位器	Fixed Position Disk	1
6	V20-07	垫圈	Washer	1
7	V20-08	轴用弹性挡圈	Retaining Ring	1
8	V20-09	一体机罩壳	Motor Cover	1
9	V20-10	电机	Motor	1
10	V20-06-01	琦星简易款一体机	Motor asm.	1
11	V20-11	内六角圆柱头螺钉M5×35	Screw	1
12	V20-12	内六角圆柱头螺钉M5×28	Screw	3
13	V20-13	内六角圆柱头螺钉M5×20	Screw	4
14	LD00003	内六角紧定螺钉M6×6	Screw	4
15	V20-15	联轴器组件	Connect block asm.	1
16	V20-16	联轴器B	Connect block B	1
17	V20-17	缓冲垫	Collar	1
18	V20-18	联轴器A	Connect block A	1
19	V20-19	上轴前铜套	Copper sets	1
20	V20-30	拾压脚板	Board	1
21	V20-27	上主轴	Main' shaft	1
22	V20-22	松线轴	Tension release shaft	1
23	V20-23	上轴油封	Oil Seal	1
24	V20-24	轴承6907Z	Ball bearing	1
25	V20-25	偏心轮	Eccentric wheel	1
26	V20-14	送料调节器孔孔塞	Cushion rubber	1
27	V20-21	偏心轮连杆	connecting rod	1
28	V20-32	轴位螺钉	Screw	1
29	V20-29	异形垫圈	Washer	1
30	V20-26	垫圈	Washer	1
31	V20-31	螺母SM1/4"×33	Nut	1
32	V20-28	顶盖	Top cap	1
33	V20-33	内六角圆柱头螺钉M4×12	Screw	4
34	V20-34	拖布轮孔孔塞	Cushion rubber	1
35	V20-35	后拖轮轴	Puller driving shaft	1
36	V20-36	后拖轮轴铜套	Bush	2
37	V20-37	后拖轮曲柄	Puller driving lever	1
38	V20-38	挡圈	Collar	1
39	V20-39	油封	Oil Seal	1
40	V20-40	调节连杆	Adjusting Rod Assembly	1

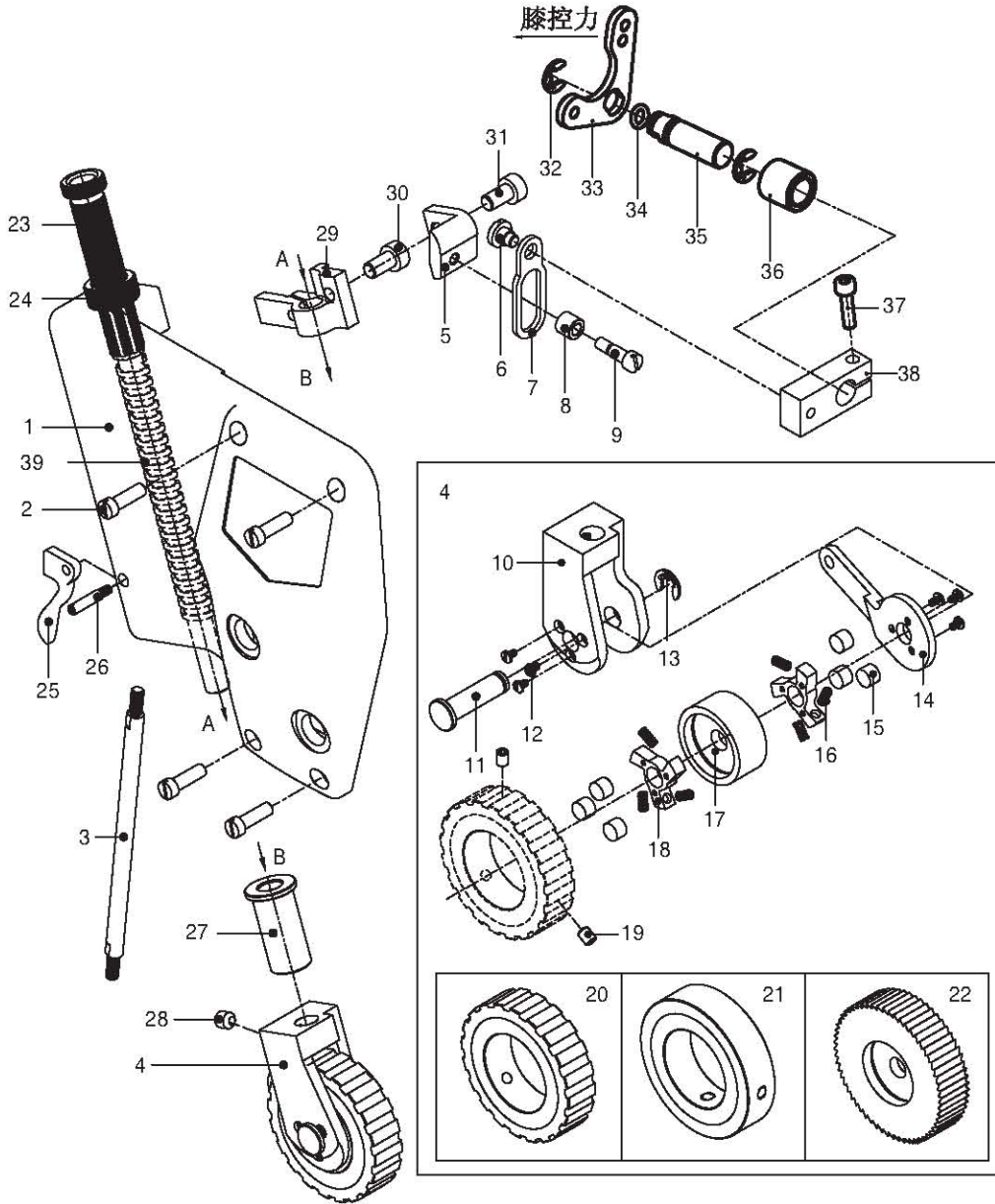
18. 3880直驱一体机部件/3880 Direct drive one mechanism



18. 3880直驱一体机部件/3880 Direct drive one mechanism

序号 Ref.No.	件号 Part NO.	名 称	Description	数量 Amt.
41	V20-45	垫圈	Washer	2
42	V20-42	内六角圆柱头螺钉M6×20	Screw	1
43	927PL-13	关节轴承组件(上)	Ball parts(Upper)	1
44	LM00006	螺母M6	Nut	1
45	V20-41	连接轴	Shaft for linking balls	1
46	LM00018	螺母M6左旋	Nut-LH	1
47	927PL-17	关节轴承组件(下)	Ball parts(Lower)	1
48	V20-48	LED灯	LED Lamp	1
49	V20-49	内六角紧定螺钉SM11/64"×40-5	Screw	3
50	V20-50	卷边器螺钉	Screw	2
51	V20-51	不锈钢台面	Shtainless steel platform	1
52	V1-31	螺钉	Screw	1
53	V20-53	油管夹	Tubing clamp	3
54	V1-39	孔塞	Plugs	1
55	V20-55	拉线钢丝	Steel wire	1
56	V20-56	凸轮盖压板	Cam cover latch	1
57	V18-38	实体套圈滚针轴承	Bearing	1
58	V18-36	偏心轮挡片	Crank cover	1
59	LD00046	开槽圆柱头螺钉SM1/8"×44	Screw SM1/8"×44	2
60	A6-25	螺母SM15/64"×28	Nut SM15/64"×28	2
61	K6-5	内六角圆柱头螺钉M5×16	Screw M5×16	1
62	927PL010	指示压板	Indicating plate	1

19. PLB拖轮装置部件/PLB tugboat device components



19. PLB拖轮装置部件/PLB tugboat device components

序号 Ref.No.	件号 Part NO.	名称	Description	数量 Amt.
1	V21-01	菱形面板	Diamond panel	1
2	V4-21	一字开槽圆柱头螺钉	Screw SM3/16" X28	4
3	V21-03	连接轴	Shaft for linking balls	1
4	V21-04	大拖轮组件(胶齿拖轮)	Large tug components(Plastic gear)	1
4	V21-04-T	大拖轮组件(铁齿拖轮)	Large tug components(Iron gear)	1
4	V21-04-J	大拖轮组件(胶拖轮)	Large tug components(Rubber wheel)	1
5	V21-05	压杆夹连接座	Connecting seat	1
6	V18-60	轴位螺钉	Screw	1
7	V21-07	连接板	Plate	1
8	V21-08	滚套	Collar	1
9	V21-09	螺钉	Screw	1
10	V21-10	拖轮安装支架	Upper puller Stent	1
11	V18-40	拖布轮轴	Puller Shaft	1
12	LD00170	开槽圆柱头螺钉SM3/32" X56	Screw SM3/32" X56	6
13	TDQ00006	开口挡圈6	Ring	1
14	V21-14	星轮连杆	Star ferry link	1
15	927PL052	滚子	Rolling shaft	6
16	TH00024	弹簧	Spring	6
17	V21-17	胶轮内圈	Tire inner ring	1
18	927PL054	星轮	Star ferry	2
19	V21-19	内六角圆柱头螺钉M4X5	Screw	2
20	V21-20	胶齿轮	Plastic gear	1
21	V21-21	平胶轮	Rubber wheel	1
22	V21-22	铁齿轮	Iron gear	1
23	927BT001	调节螺丝	Screw	1
24	V21-24	螺母	Nut	1
25	927PL030	扳手	Presser foot lifter	1
26	927PL029	扳手轴销	Support stud	1
27	927PL031	压杆轴套	Presser bar bush	1
28	LD00003	内六角紧定螺钉M6X6	Screw M6X6	3
29	V18-4	压杆夹	Presser bar clamp	1
30	LD00044	内六角圆柱头螺钉M5X10	Screw M5X10	1
31	V18-61	内六角圆柱头螺钉SM15/64" X28	Screw SM15/64" X28	1
32	V18-53	开口挡圈7	Ring	2
33	V18-51	拾压脚前杠杆片	Leverage tablets	1
34	V18-54	O形圈	O ring	1
35	V18-52	拾压脚前杠杆轴	Lever shaft	1
36	V18-55	拾压脚前杠杆轴套	Sleeve	1
37	V18-57	内六角圆柱头螺钉M4X16	Screw M4X16	1
38	V18-56	拾压脚曲柄	Crank	1
39	V18-2	压簧	Presser bar spring	1