



VETRON

» PARTS LIST

07/2021

STANDARD

- » 5000
- » 5010
- » 5020
- » 5030
- » 5040

LONGARM

- » 5100
- » 5110
- » 5120
- » 5130

© **VETRON | TYPICAL GmbH**

Clara-Immerwahr-Str. 6
67661 Kaiserslautern, Germany
Tel.: +49 6301 320 75-0
Fax: +49 6301 320 75-11
info@vetrontypical.com
www.vetrontypical.com

All rights reserved.

The instructions for use, service instructions, parts lists are protected by copyright. Any reuse of the content outside the copyright is without the written consent of VETRON | Typical GmbH inadmissible and punishable.

VETRON | Typical GmbH is only liable for damage caused by intent or gross negligence on the part of the manufacturer. Otherwise, liability is excluded.

Reserve technical changes!

The contents were carefully prepared and checked by the publisher. Due to continuous development, illustrations, functional steps and technical data may differ slightly.

Updating the documentation

If you have suggestions for improvement or have detected any irregularities, please contact us.

 The documents for the machines can be accessed by logging on <https://www.vetrontypical.com/> downloaded for free.



CE marked after §7 Prod SG

INDEX PART LIST

VETRON 5000 - FLAT BED MACHINE



04	GENERAL ADVICE
05	SEWING MACHINE
	OVERVIEW
07	01. HEAD MODULE
	557 110 000 (1-NEEDLE)
	557 120 000 (2-NEEDLE)
23	02. FRAME MODULE
	557 001 000 (STANDARD)
	557 002 000 (LONGARM)
25	03. BASE MODULE
	557 211 000 (1-NEEDLE)
	557 215 000 (SHORT CUTTER)
	557 221 000 (2-NEEDLE)
45	04. MAIN DRIVE MODULE
	557 311 000
51	05. HANDWHEEL MODULE
	557 410 000
53	06. LUBRICATION
57	07. ELECTRONIC PARTS SEWING
63	08. SEWING ACCESSORIES
	STANDARD ACCESSORIES - INCLUDED IN DELIVERY
101	09. TABLE STAND
103	INDEX - PARTS OF SEWING MACHINE

GENERAL ADVICE

At the time of printing, all information and illustrations in this document were up-to-date.

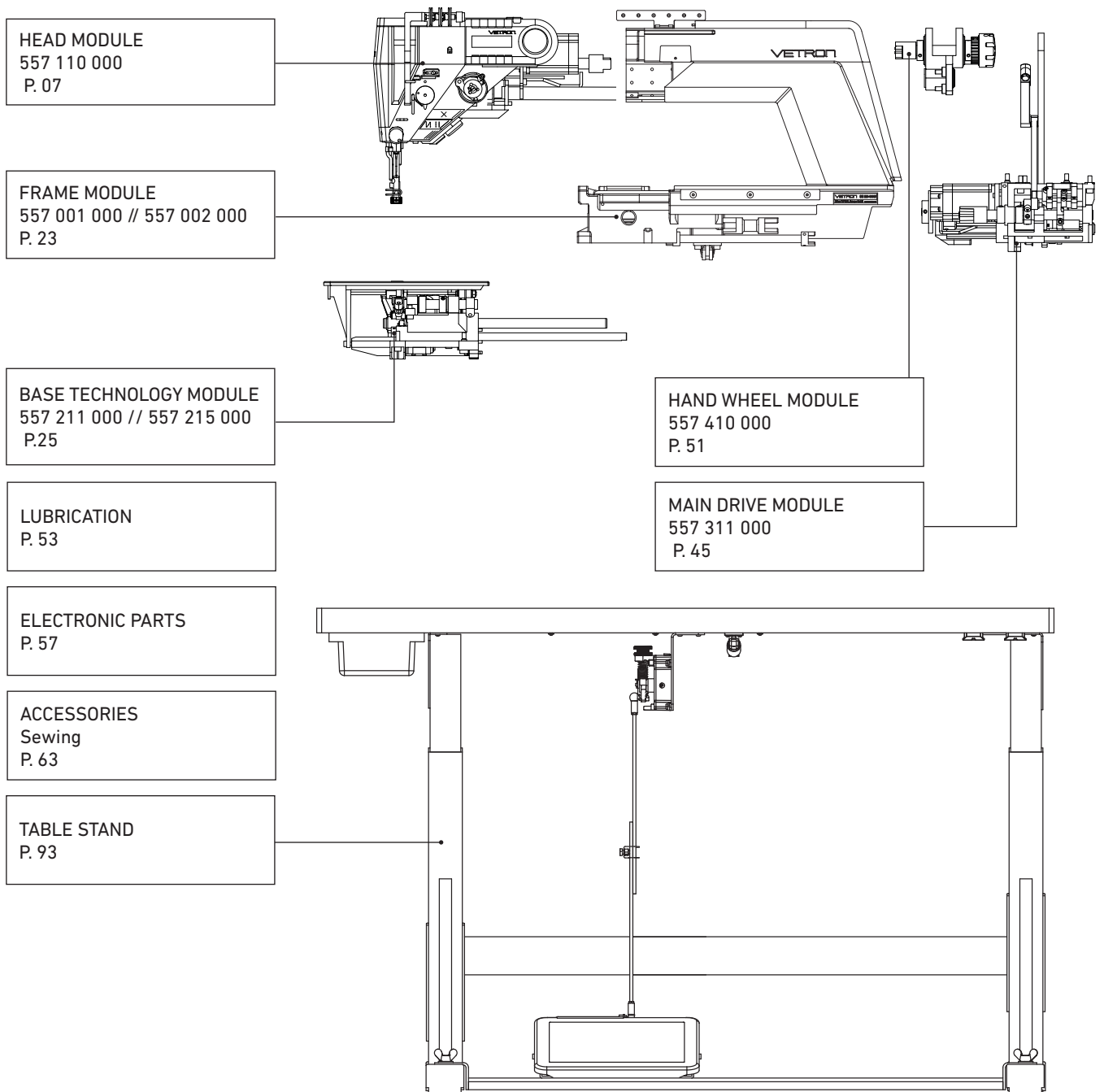
Technical changes without prior notice!



NOTE!

- » Please take note of, we will not be liable for spare parts and accessories, not purchased from us. These parts were neither examined by us, nor released. Consequently, the installation or use of these products can have a negative influence on features and your workflow of the machine.
- » We accept no liability for any damage caused by the use of non-original parts.
- » Parts which are boxed have a underlined number. These parts have a assembly part number!
- » The part numbers in the box can be seperately ordered.
- » Parts with a ★ means this part is new designed. The previous version is found at the end of the chapter. After consumption they will no longer be available.

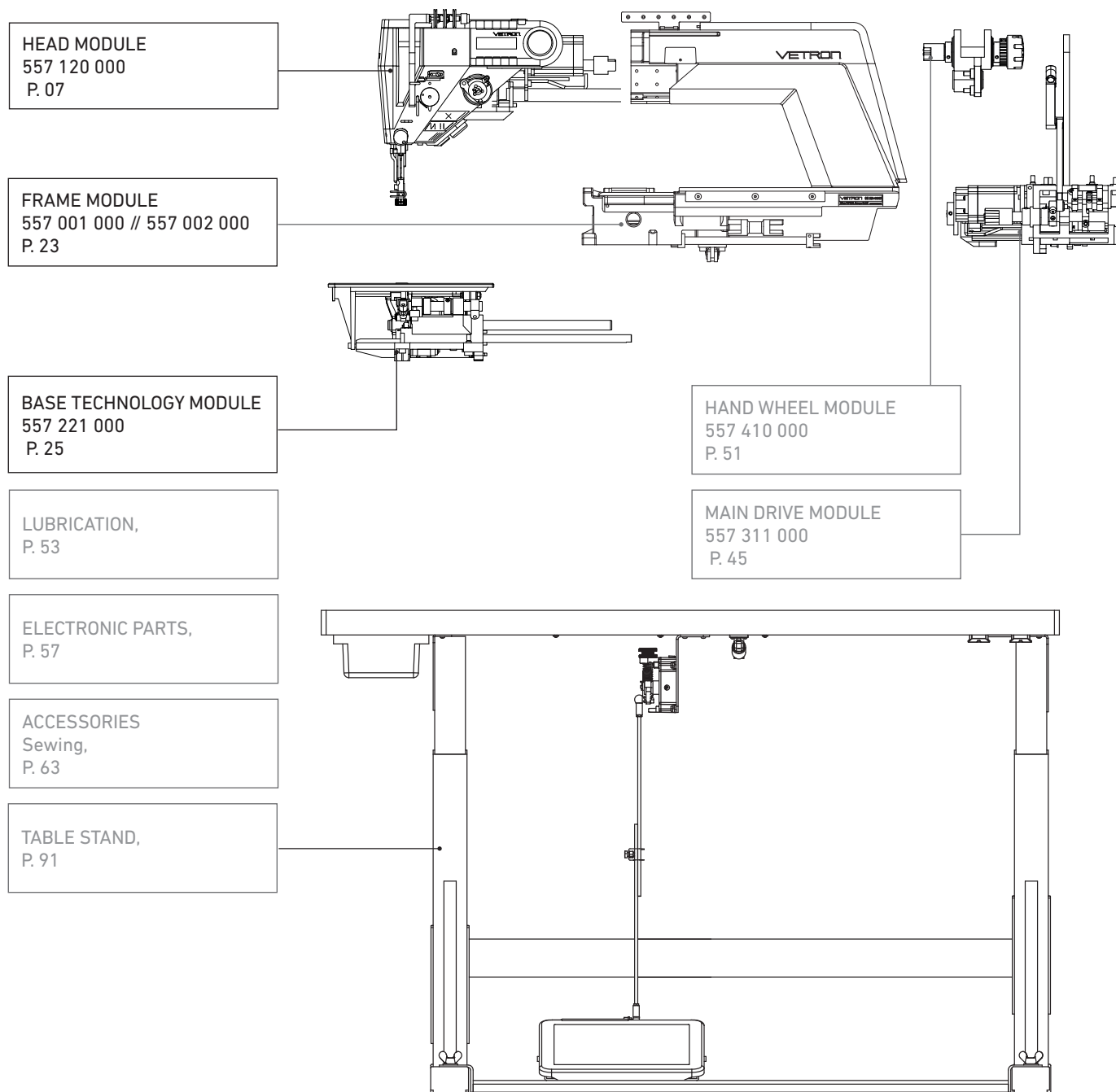
1-NEEDLE MACHINE



SEWING MACHINE

OVERVIEW

2-NEEDLE MACHINE



01. HEAD MODULE

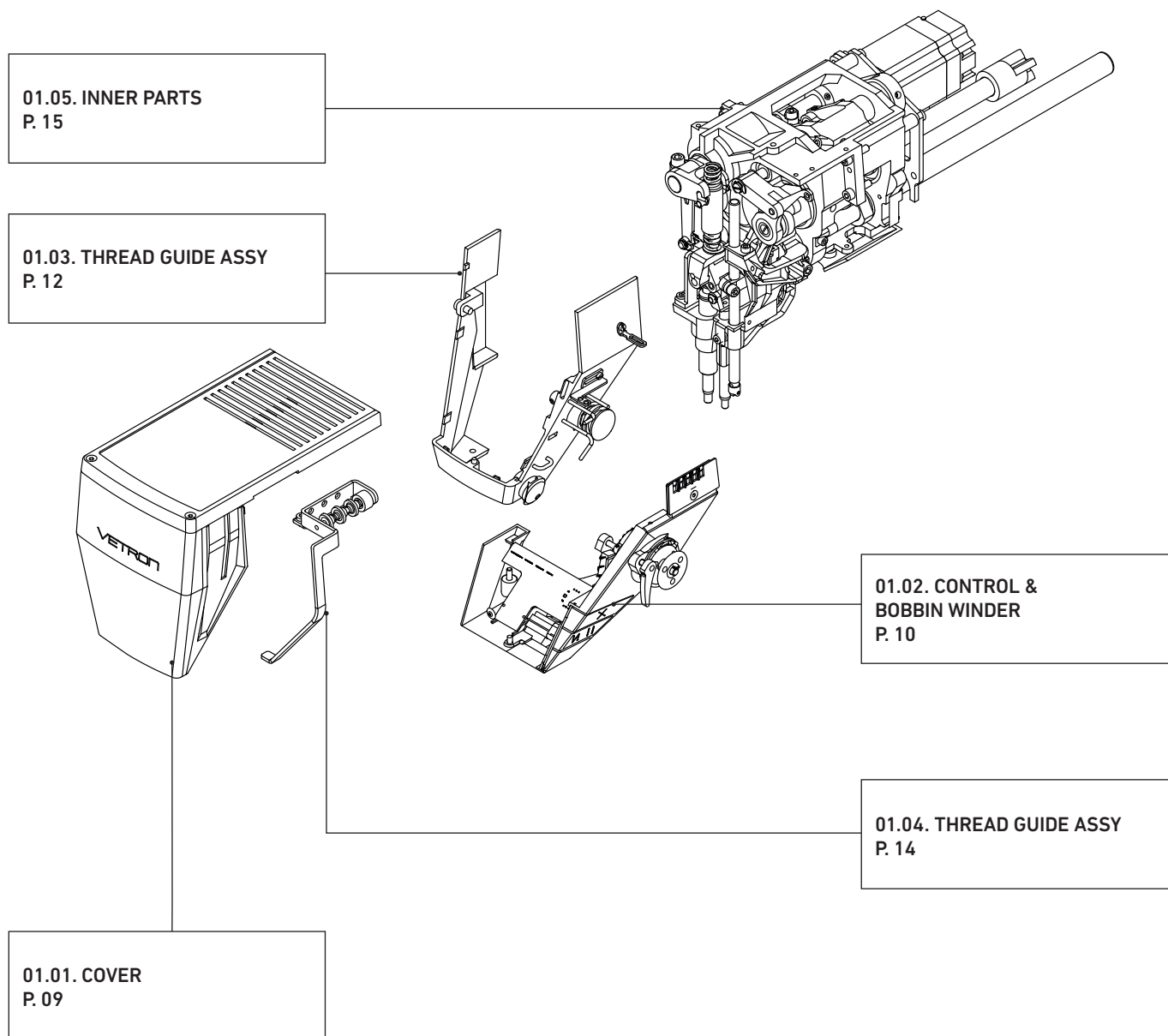
557 110 000 (1-NEEDLE)

557 120 000 (2-NEEDLE)

08	OVERVIEW
09	01. COVER
10	02. CONTROL & BOBBIN WINDER
12	03. THREAD GUIDE ASSY
14	04. THREAD GUIDE ASSY
15	05. INNER PARTS – OVERVIEW
16	05.01. BEARING & COVER
17	05.02. THREAD TAKE-UP LEVER & STITCH REGULATOR
18	05.03. STITCH REGULATOR – TOP FEED - STROKE
19	05.04. NEEDLE BAR PENDULAR
20	05.05. TOP FEED MECHANISM
21	05.06. STEPPING MOTORS
22	06. PREVIOUS VERSIONS

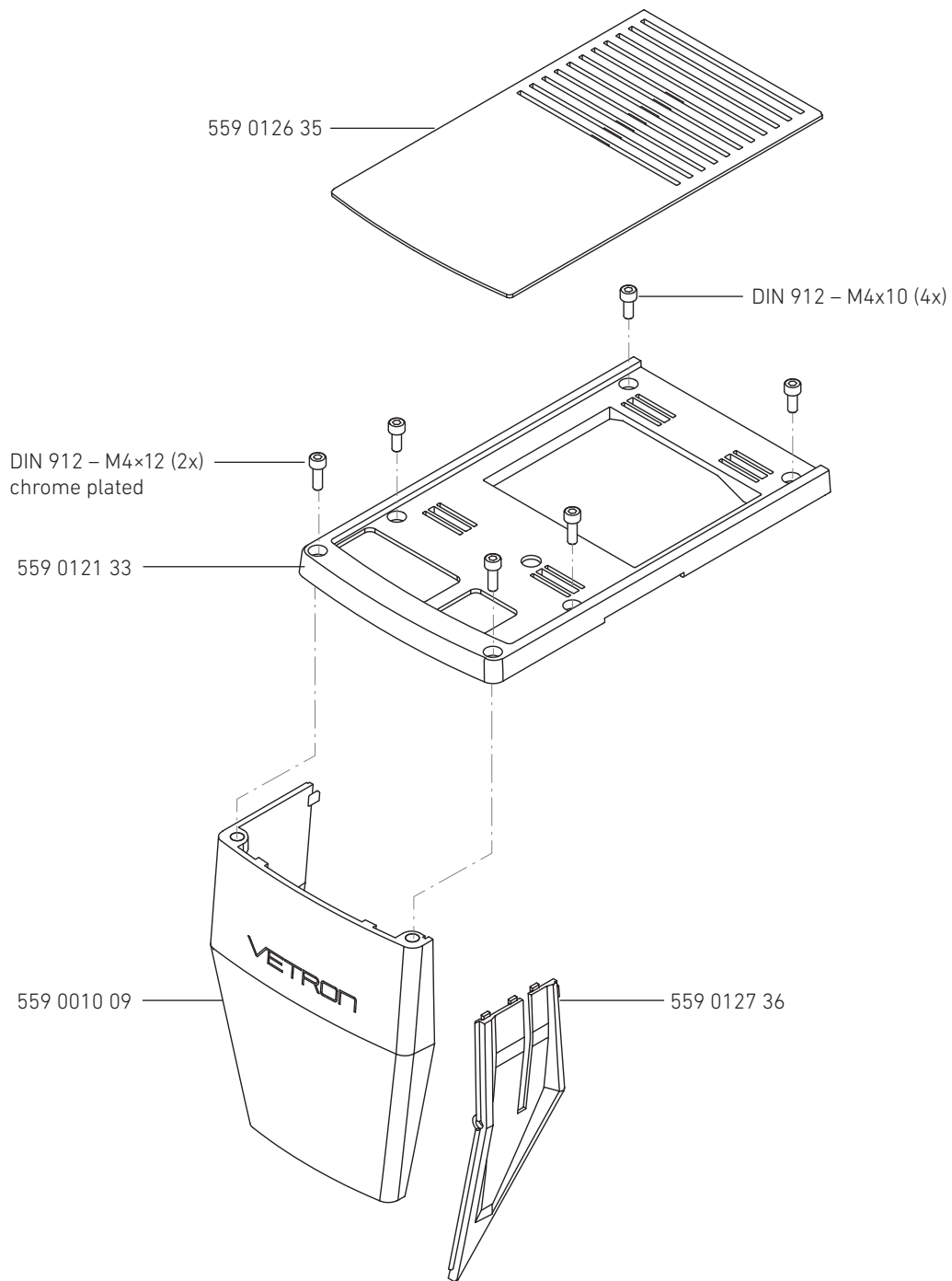
01. HEAD MODULE

OVERVIEW



01. HEAD MODULE

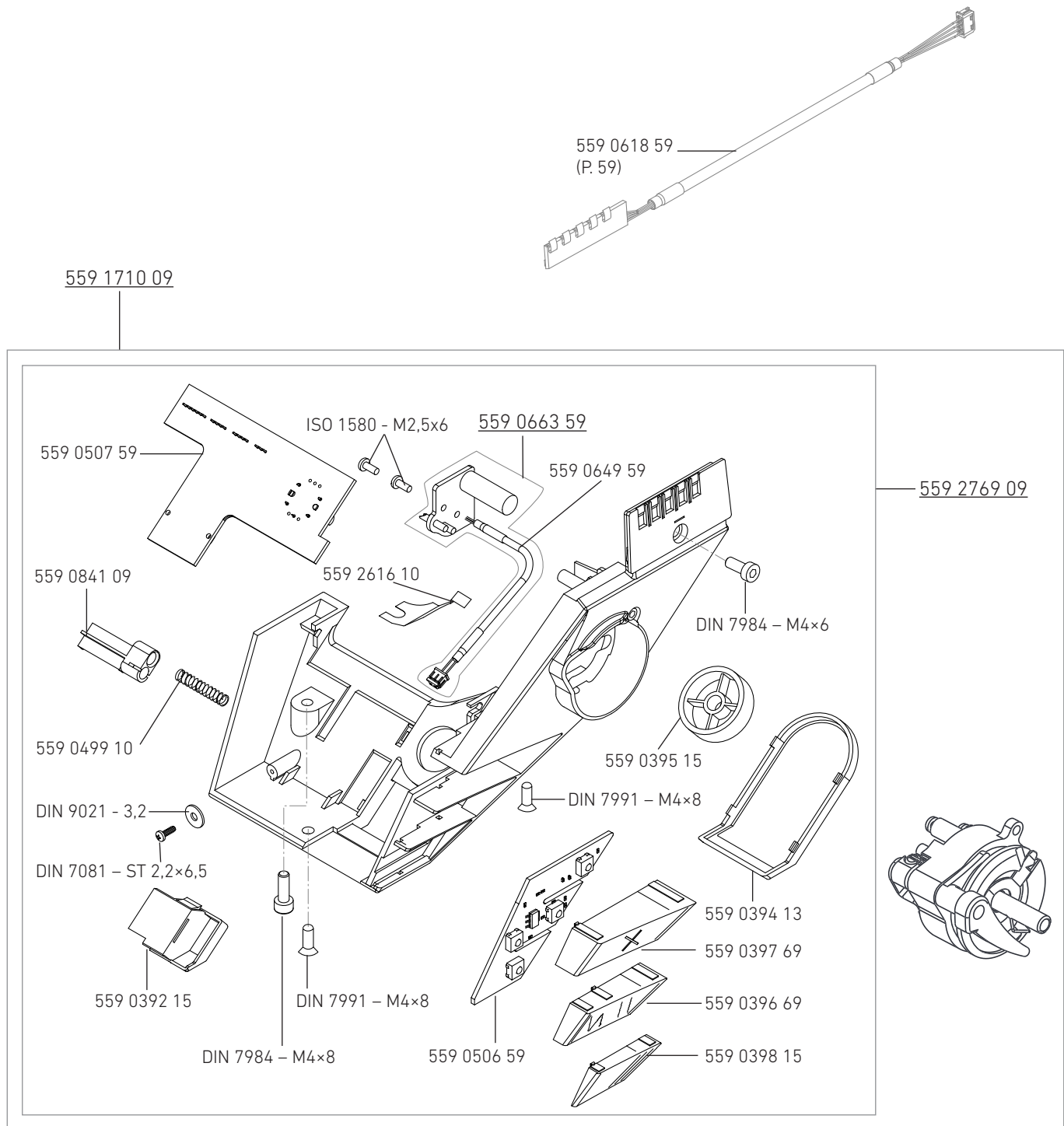
01. COVER



01. HEAD MODULE

02. CONTROL & BOBBIN WINDER

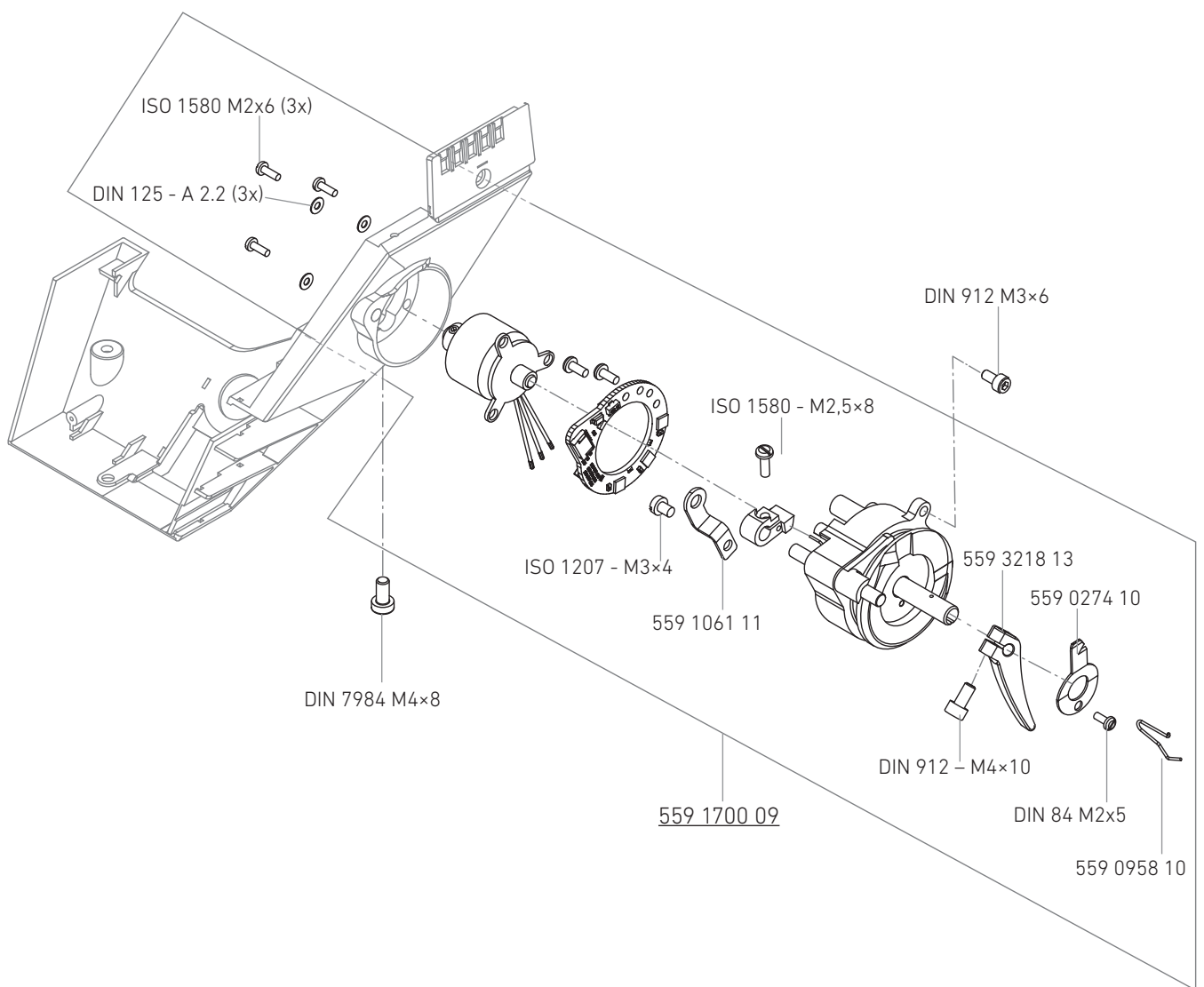
-1-2



01. HEAD MODULE

02.01. CONTROL & BOBBIN WINDER

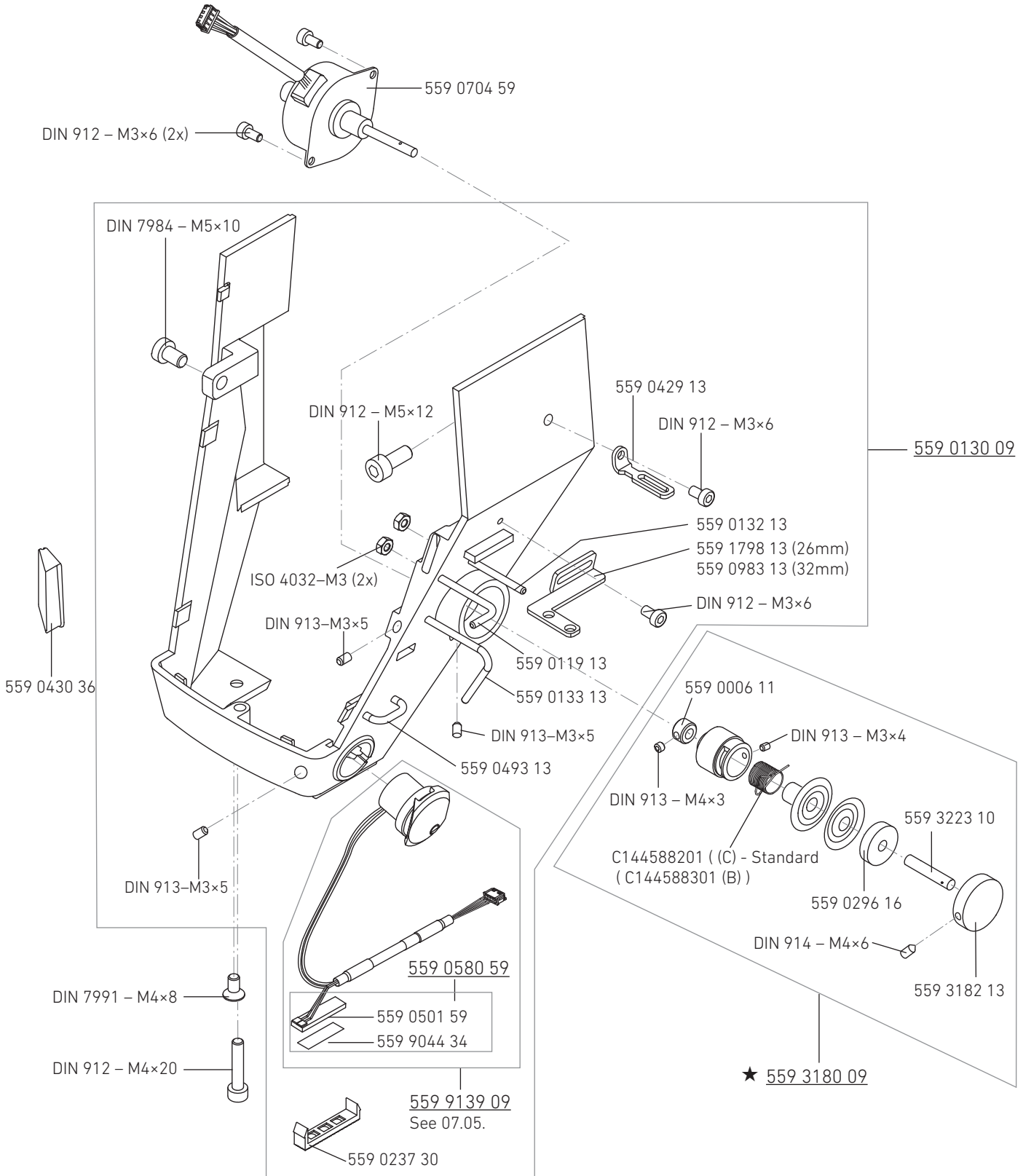
-2-2



01. HEAD MODULE

03. THREAD GUIDE ASSY

-1-2

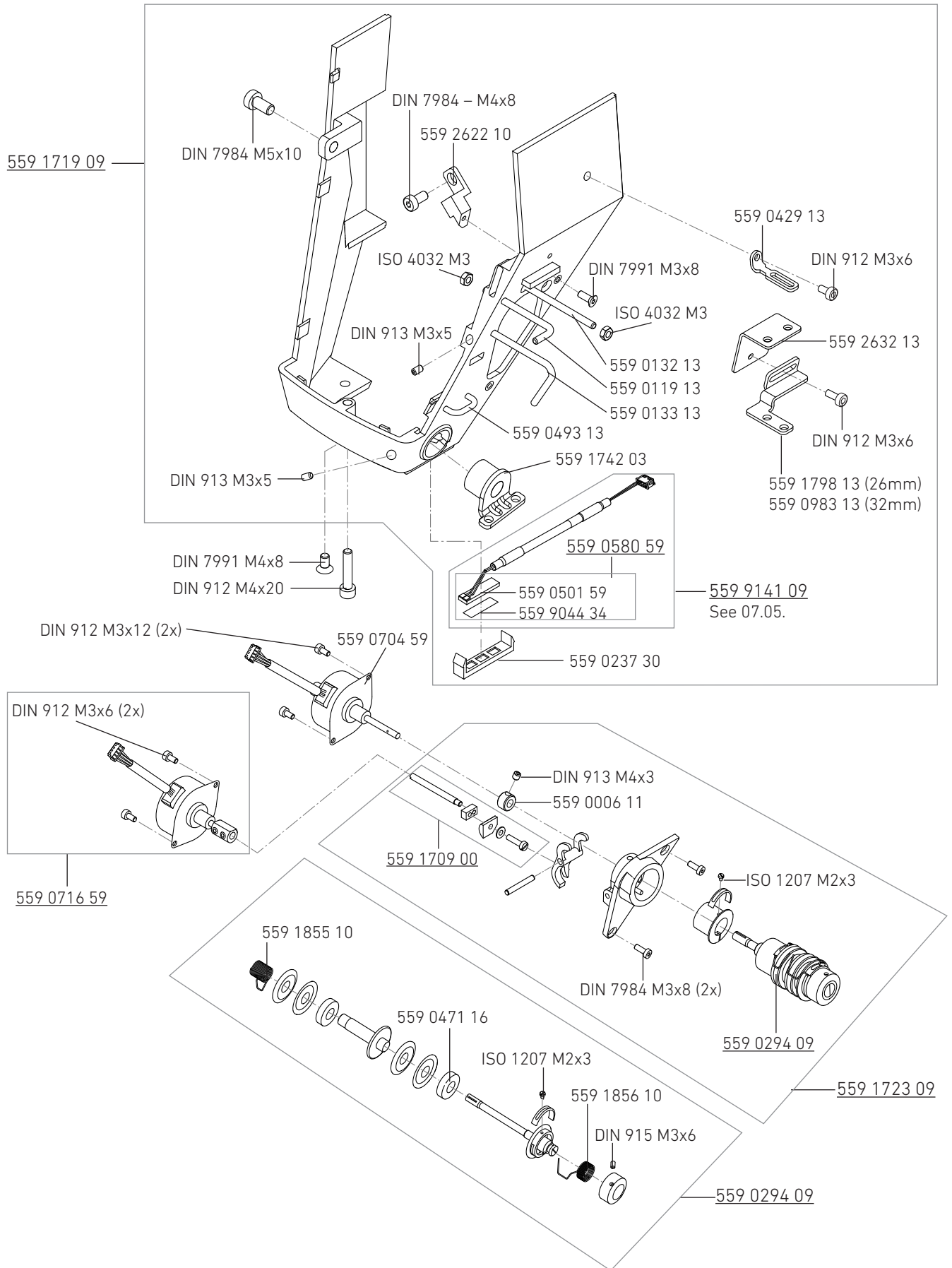




01. HEAD MODULE

03.01. THREAD GUIDE ASSY

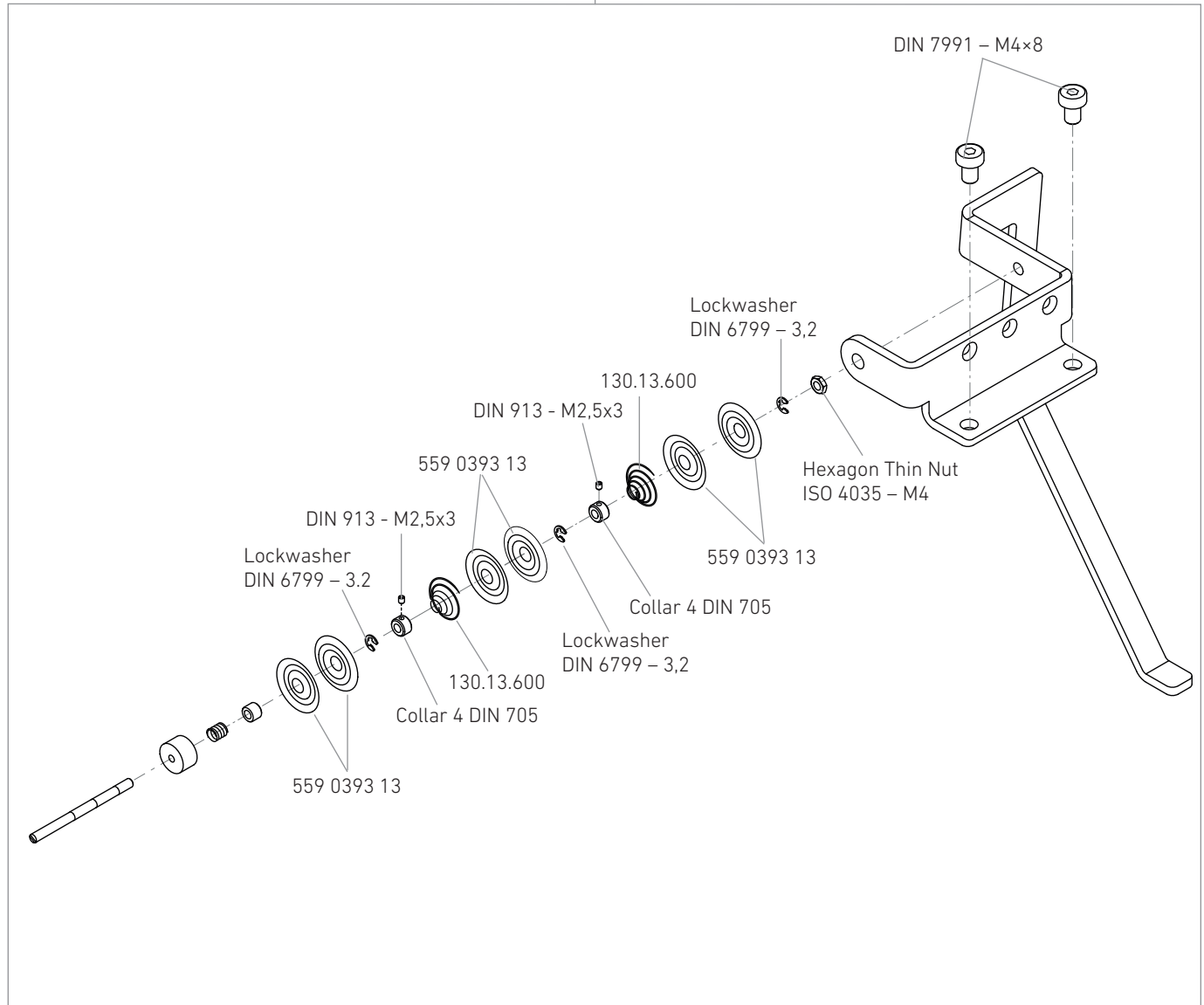
-2-2



01. HEAD MODULE

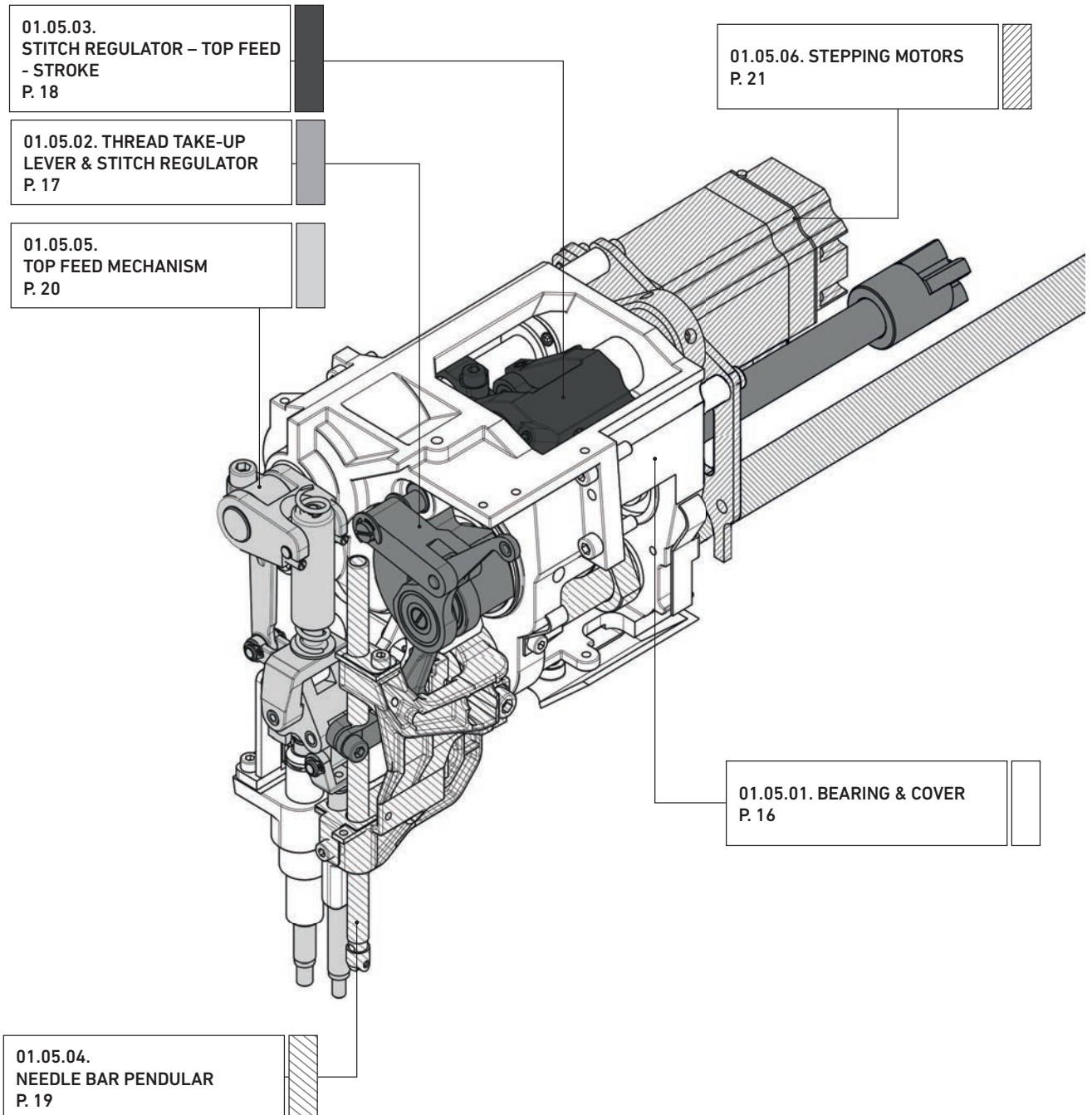
04. THREAD GUIDE ASSY

559 0926 09



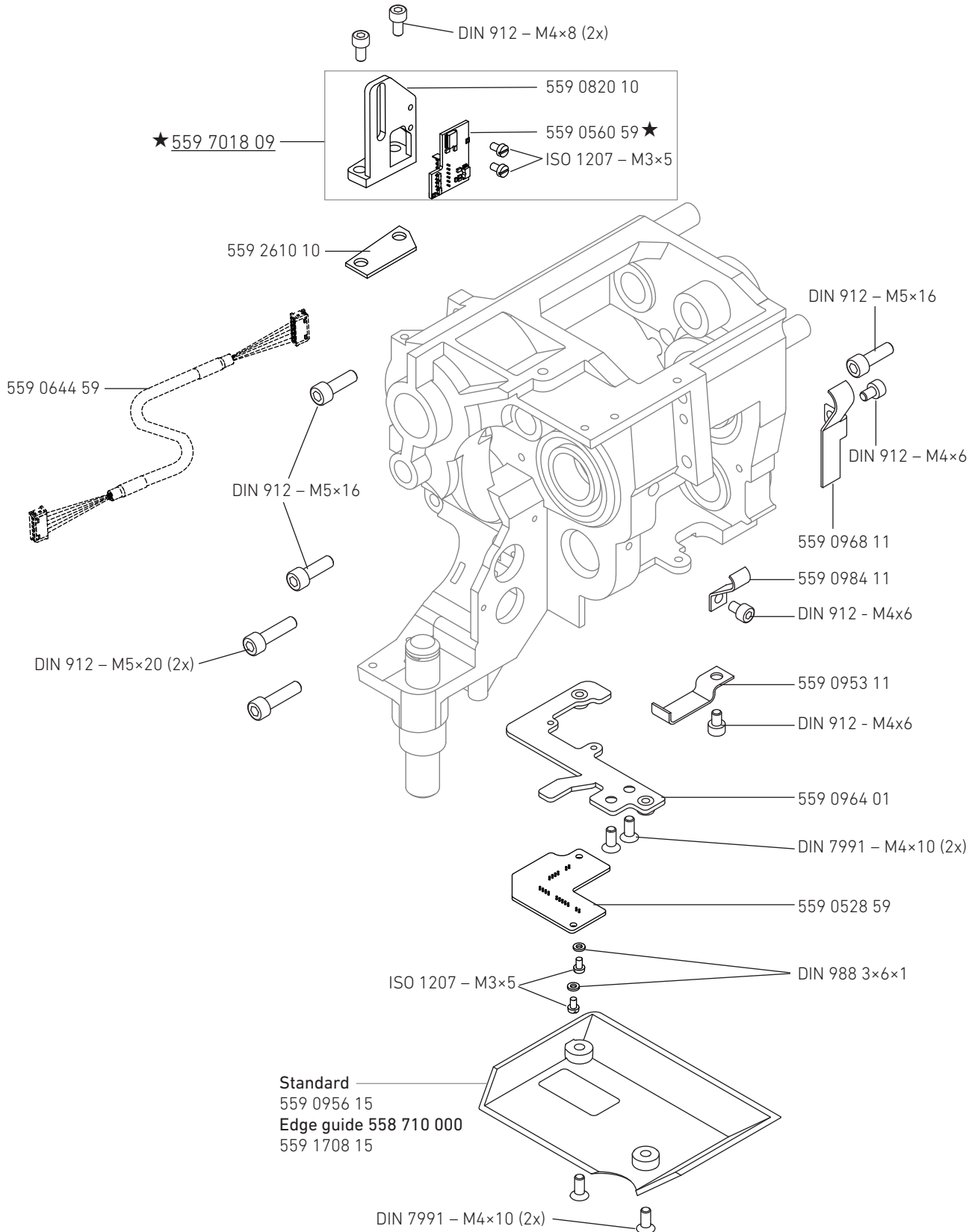
01. HEAD MODULE

05. INNER PARTS – OVERVIEW



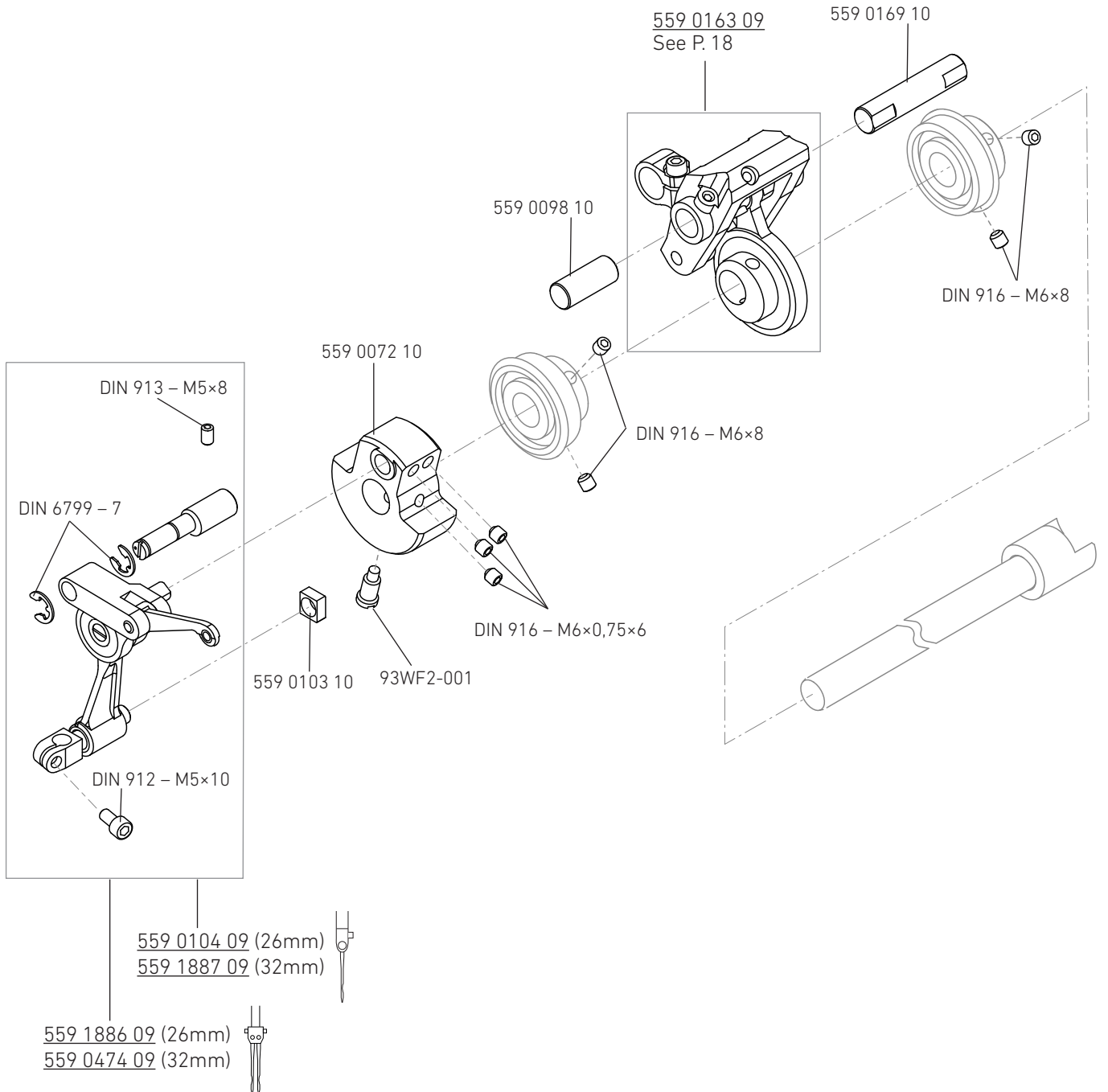
01. HEAD MODULE

05.01. BEARING & COVER



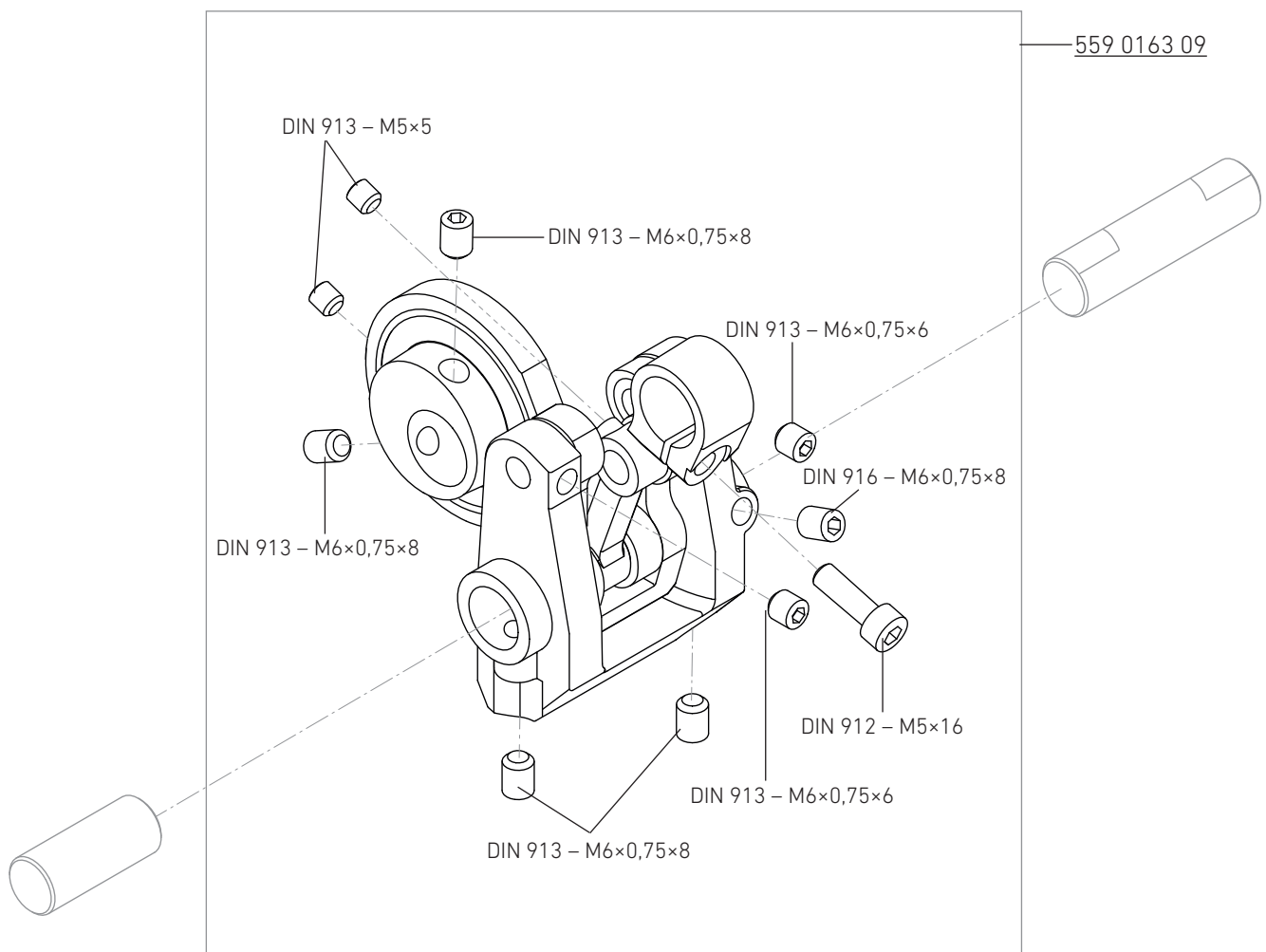
01. HEAD MODULE

05.02. THREAD TAKE-UP LEVER & STITCH REGULATOR



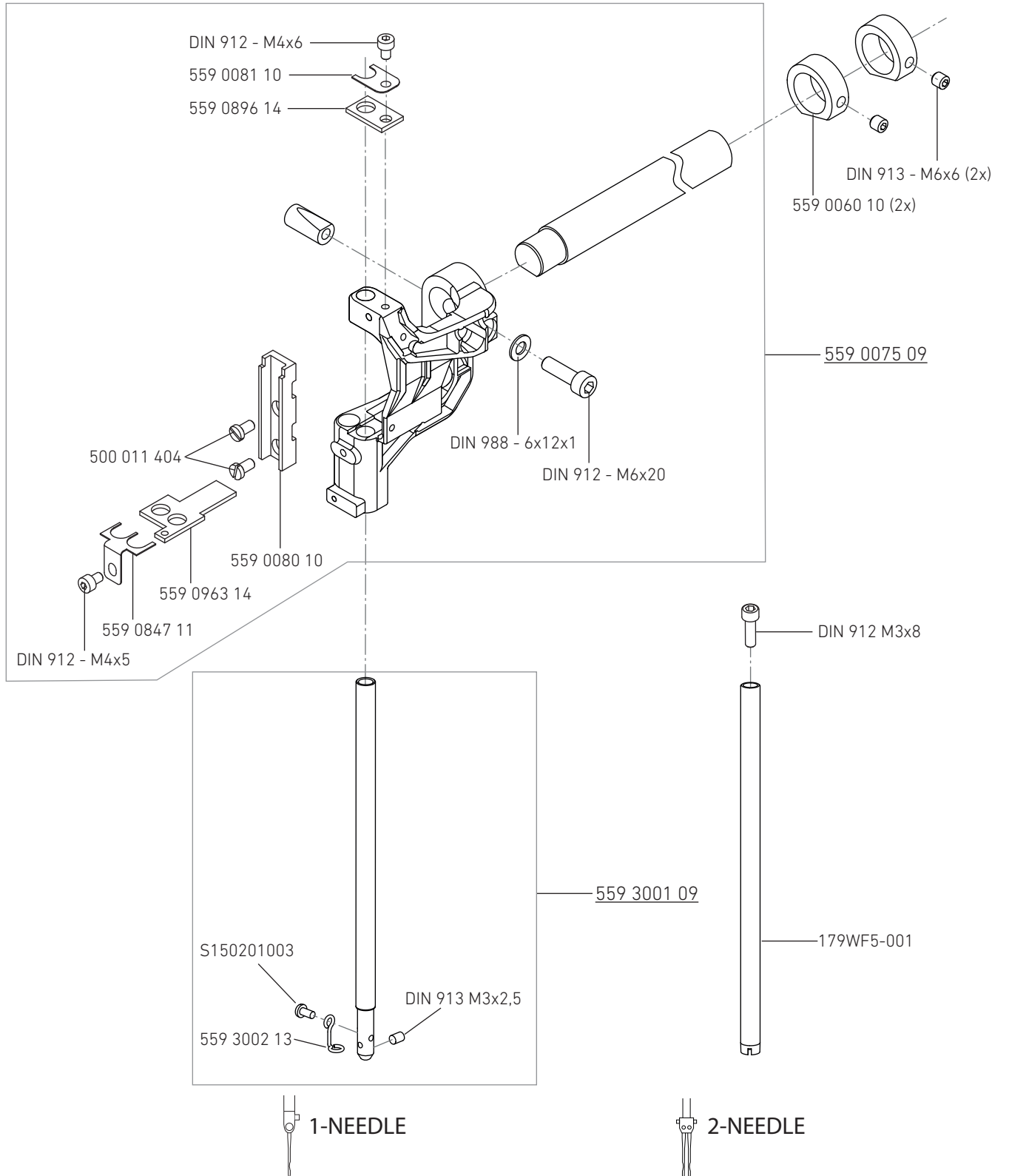
01. HEAD MODULE

05.03. STITCH REGULATOR – TOP FEED - STROKE



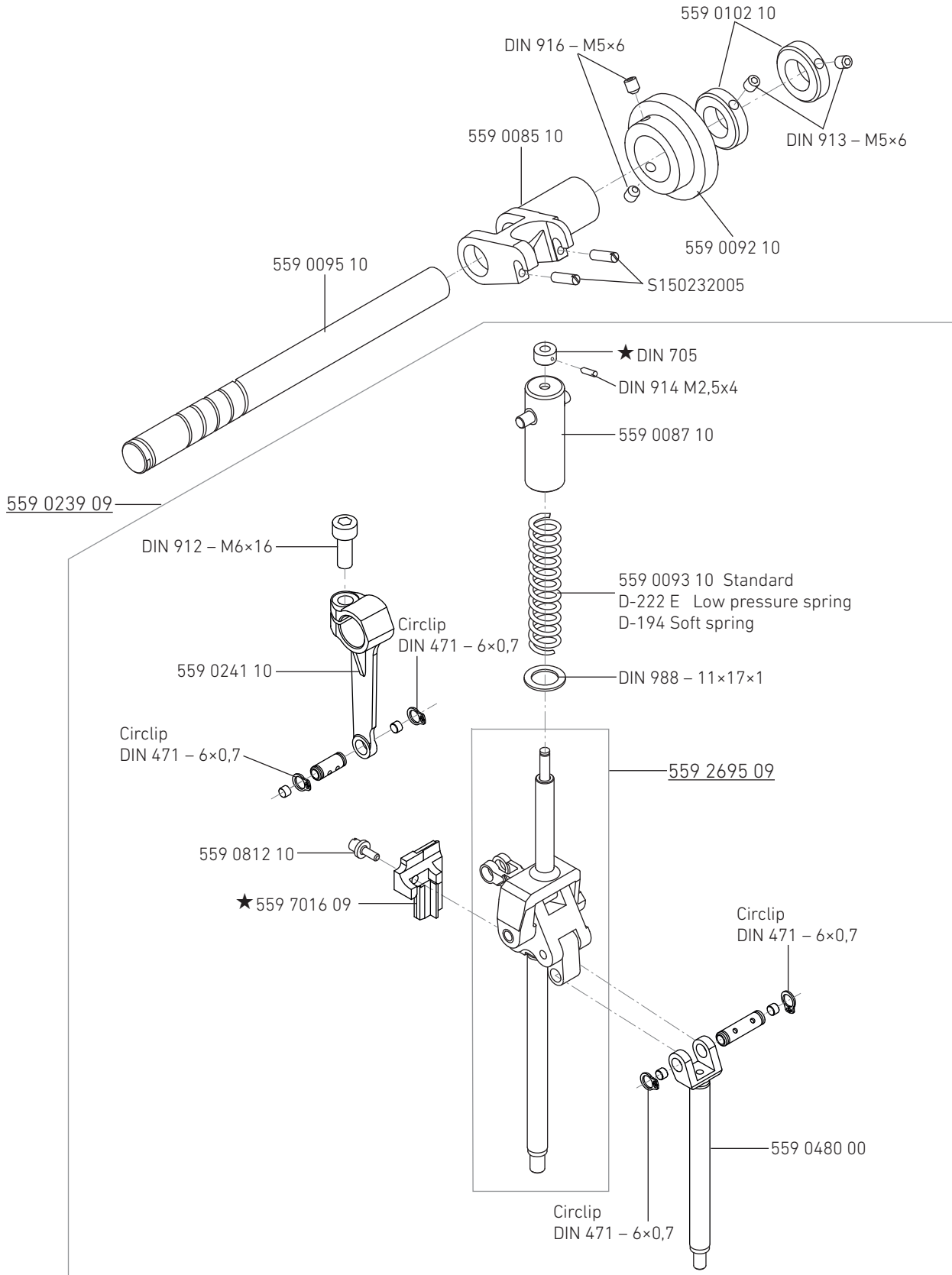
01. HEAD MODULE

05.04. NEEDLE BAR PENDULAR



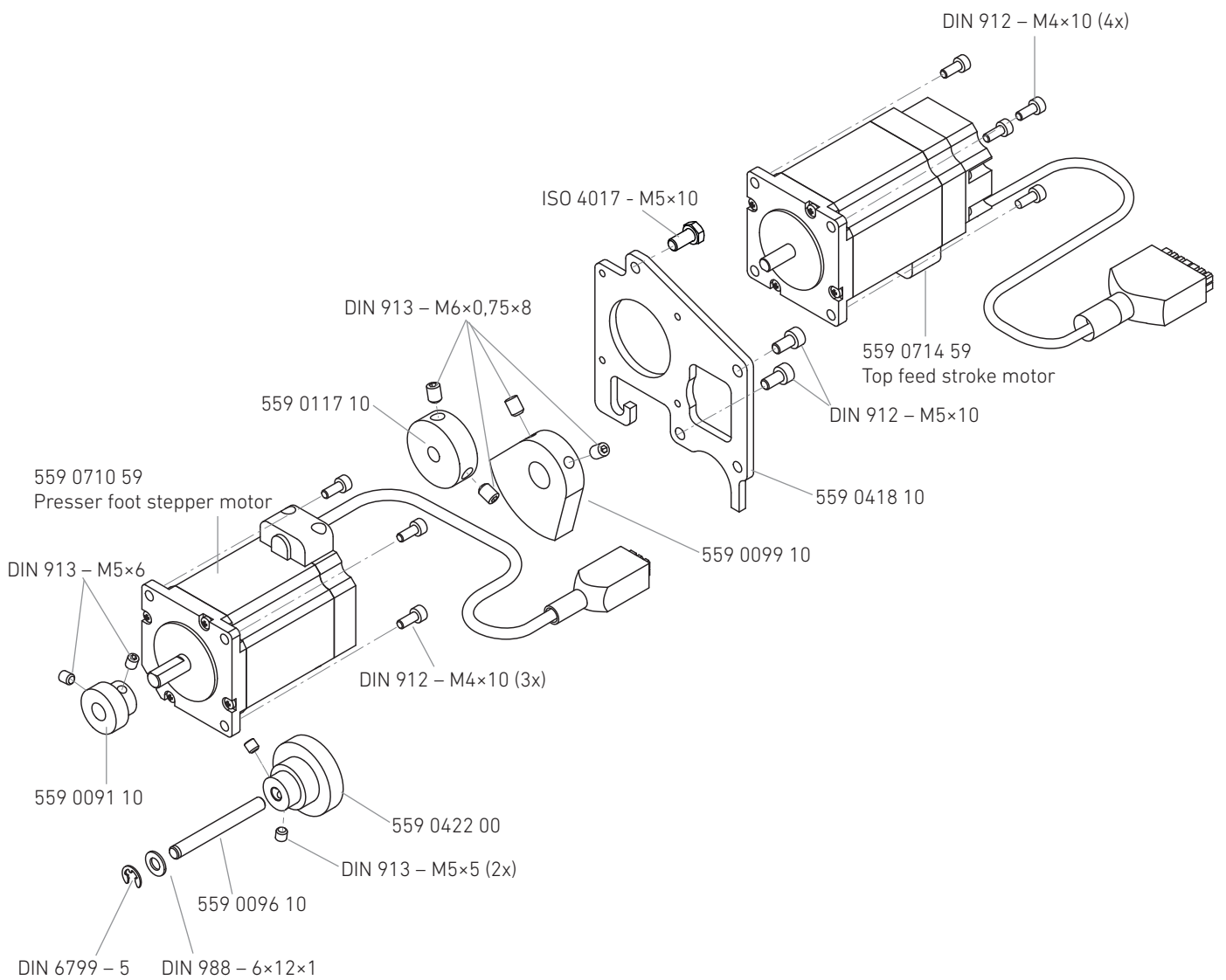
01. HEAD MODULE

05.05. TOP FEED MECHANISM



01. HEAD MODULE

05.06. STEPPING MOTORS



01. HEAD MODULE

06. PREVIOUS VERSIONS



NOTE!

These parts have been replaced by new designed parts.
After consumption they will no longer be available.

PREVIOUS VERSION		IS REPLACED BY
		559 7018 09 Foot distance sensor assy 559 0560 59 Foot distance sensor PCB assy
	If you need to order the PCB or the holder assy, you need to order: 559 7021 09 (contains 559 0560 09 PCB and 559 7016 09 Holder assy)	559 7016 09 Holder assy (is assembled with: 559 0809 10 Holder 559 7017 10 Magnet stripe)
		DIN 705 (4x8x5) Bushing with screw DIN 914 M2,5x4
		559 3180 09 1-Needle Thread tension assy

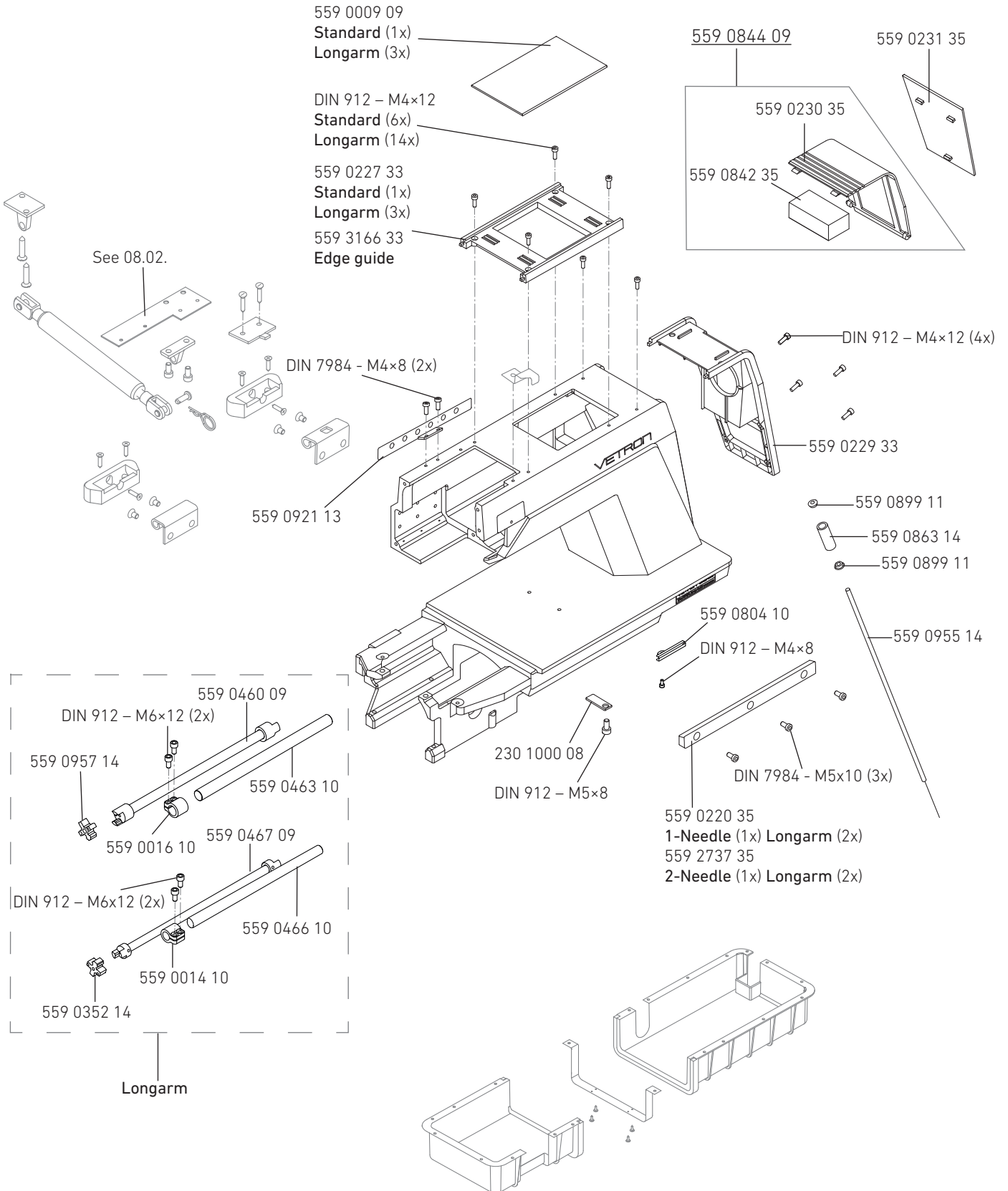
02. FRAME MODULE

557 001 000 (STANDARD)

557 002 000 (LONGARM)

24 01. FRAME MODULE

02. FRAME MODULE



03. BASE MODULE

557 211 000 (1-NEEDLE)
557 215 000 (SHORT CUTTER)
557 221 000 (2-NEEDLE)

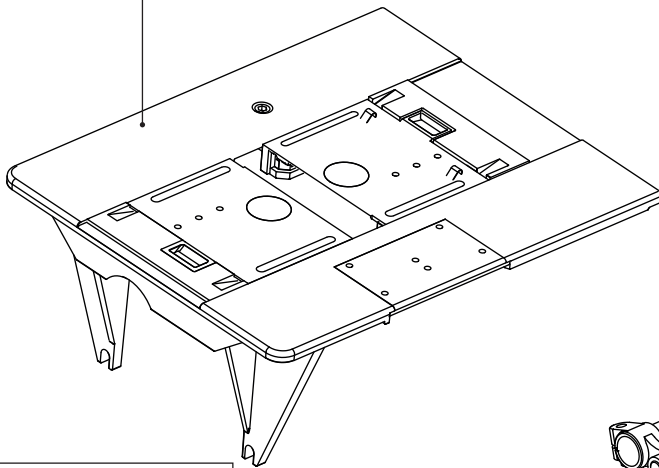
26	TECHNOLOGY MODULE – OVERVIEW -1-NEEDLE
27	TECHNOLOGY MODULE – OVERVIEW - SHORT CUTTER
28	TECHNOLOGY MODULE – OVERVIEW - 2-NEEDLE
29	01.01. COVER - 1-NEEDLE
30	01.02. COVER - 2-NEEDLE
31	01.03. COVER - SHORT CUTTER
32	02. MOUNTING BRACKET HOUSING
33	03. FEED DOG CARRIER & FEED SHAFT MECHANISM
34	04. HOOK OVERVIEW FOR LEFT & RIGHT HOOK - 1-NEEDLE
35	04.01. HOOK OVERVIEW - 2-NEEDLE
36	04.02. HOOK - STANDARD (LEFT & RIGHT)
37	04.02.01. HOOK - SHORT CUTTER
38	04.03. THREAD CATCHER & CUTTER MAGNET
39	04.04. SHORT CUTTER
40	04.05. HOOK CARRIER / MECHANICAL OPENER / HOOK COVER (FOR LEFT & RIGHT HOOK)
41	04.06. HOOK DRIVE SHAFT - FOR RIGHT HOOK
42	04.06.01. HOOK DRIVE SHAFT - FOR LEFT HOOK
43	04.07. HOOK DRIVE SHAFT - 2-NEEDLE
44	05. PREVIOUS VERSIONS

03. BASE MODULE

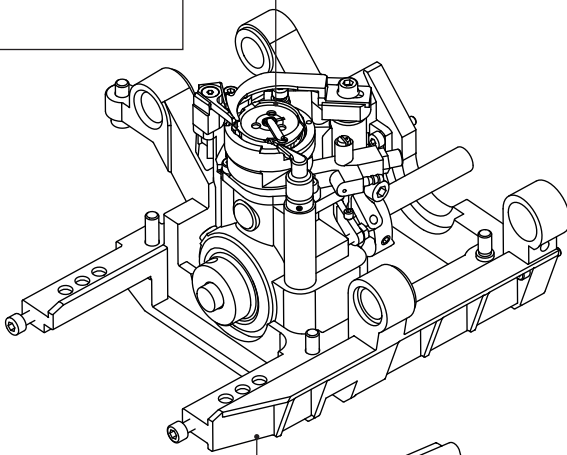
TECHNOLOGY MODULE – OVERVIEW -1-NEEDLE



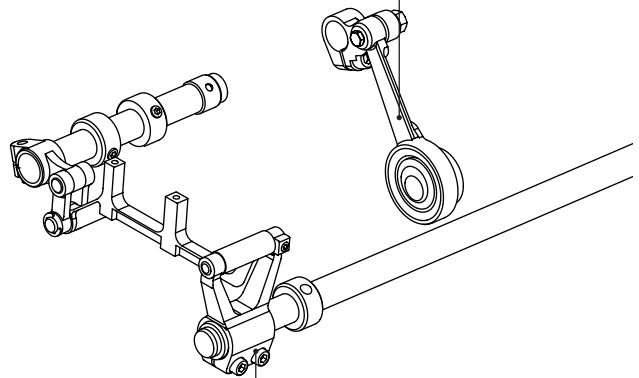
03.01.01. COVER
P. 29



03.04. HOOK OVERVIEW
P. 34

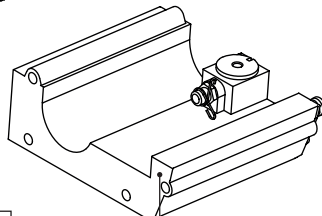


03.03. FEED SHAFT MECHANISM
P. 33



03.03. FEED DOG CARRIER
P. 33

03.02. MOUNTING BRACKET HOUSING
P. 32

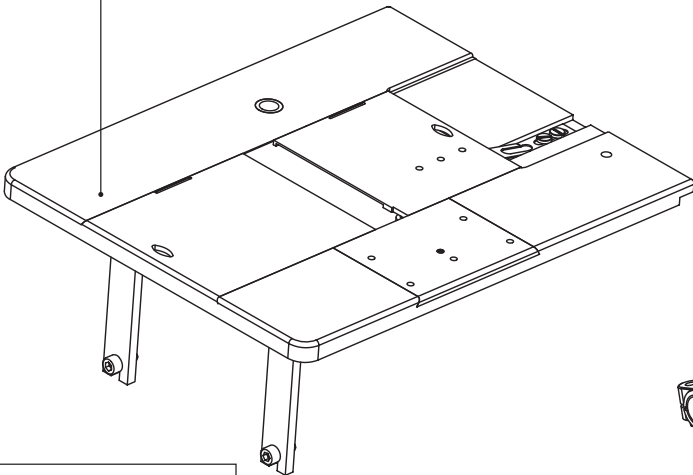


06.01. LUBRICATION SYSTEM
P. 54

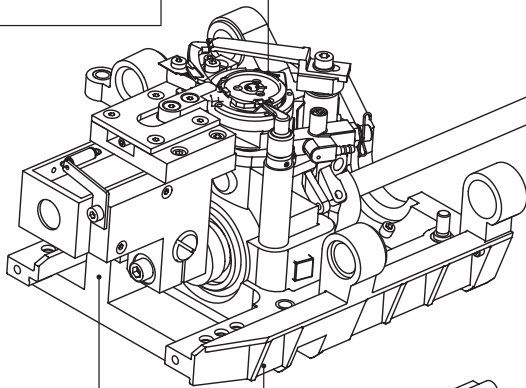
03. BASE MODULE

TECHNOLOGY MODULE – OVERVIEW - SHORT CUTTER

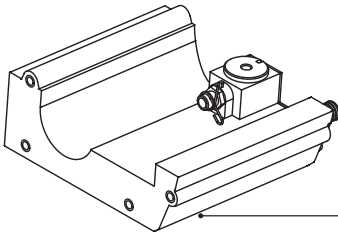
03.01.03. COVER
P. 31



03.04. HOOK OVERVIEW
P. 34

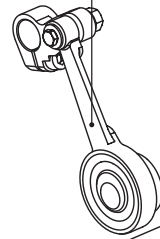


03.05.02. SHORT CUTTER
P. 37

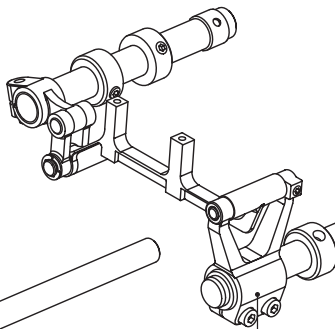


03.02. MOUNTING BRACKET HOUSING
P. 32

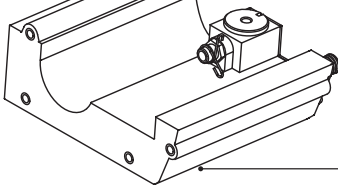
03.03. FEED SHAFT MECHANISM
P. 33



03.03. FEED DOG CARRIER
P. 33

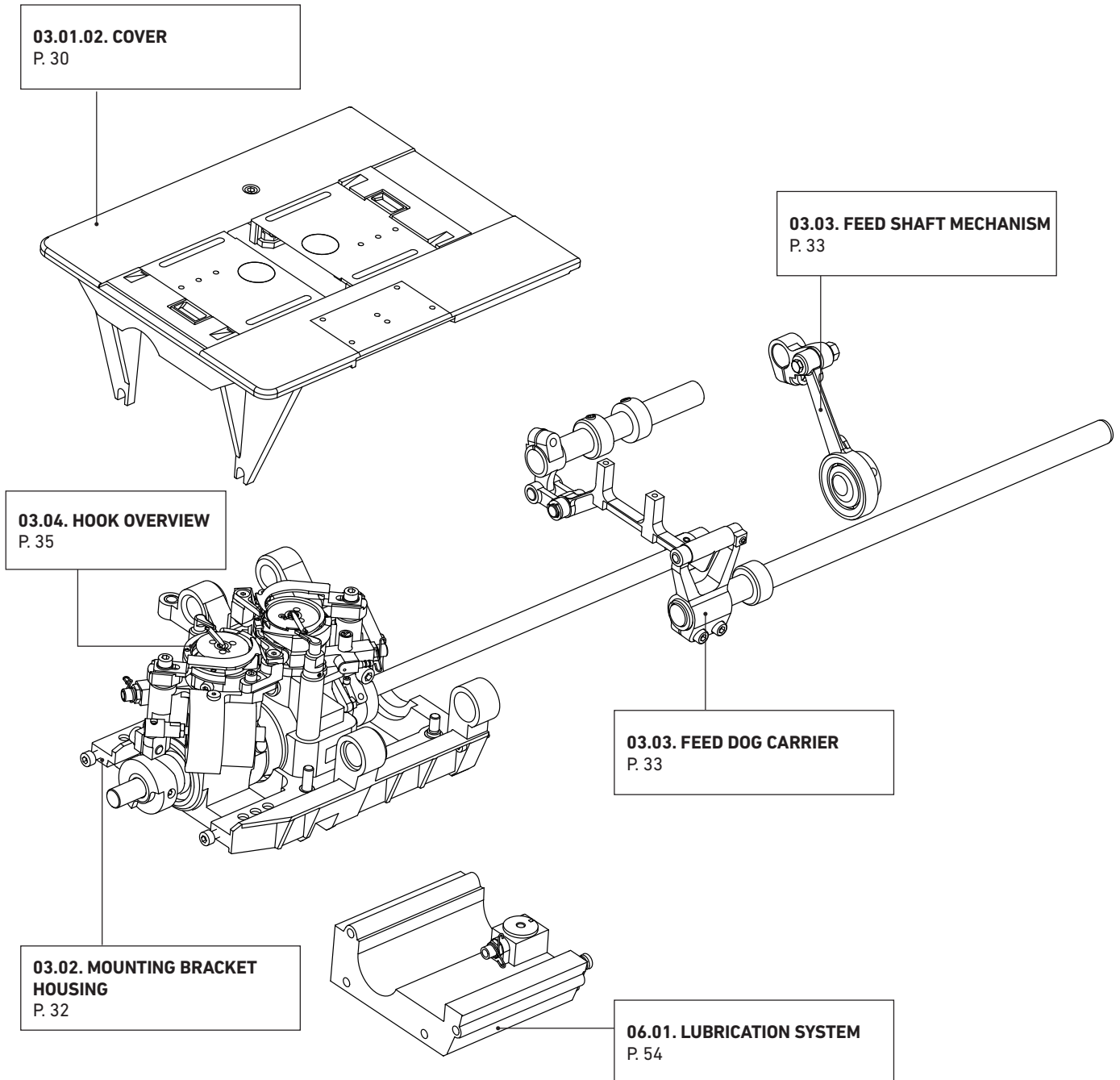


06.01. LUBRICATION SYSTEM
P. 54



03. BASE MODULE

TECHNOLOGY MODULE – OVERVIEW - 2-NEEDLE

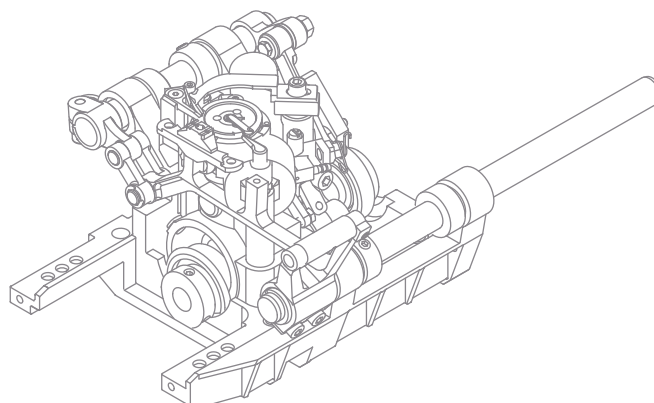
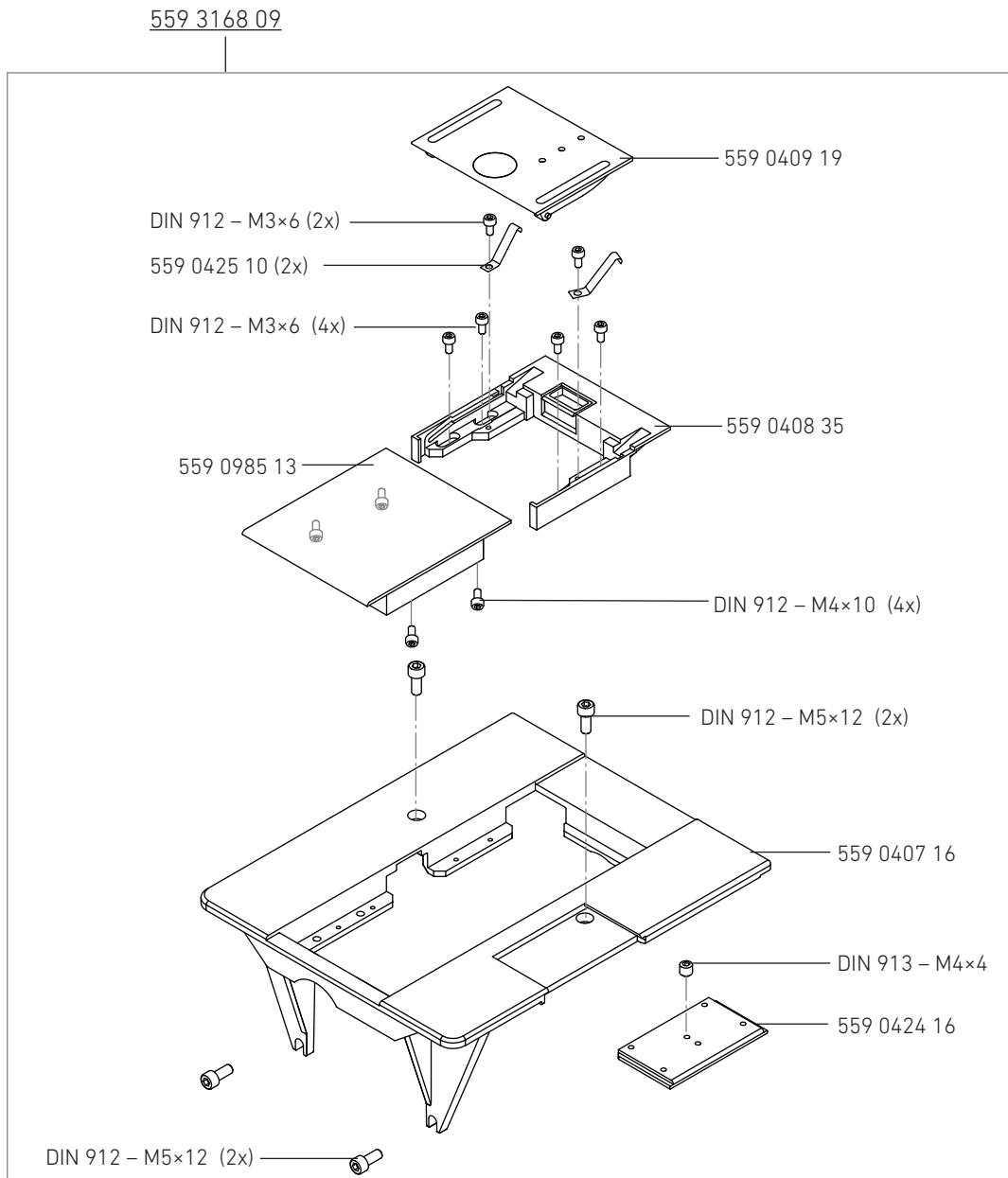


03. BASE MODULE

01.01. COVER - 1-NEEDLE



STANDARD PLATE 1-NEEDLE

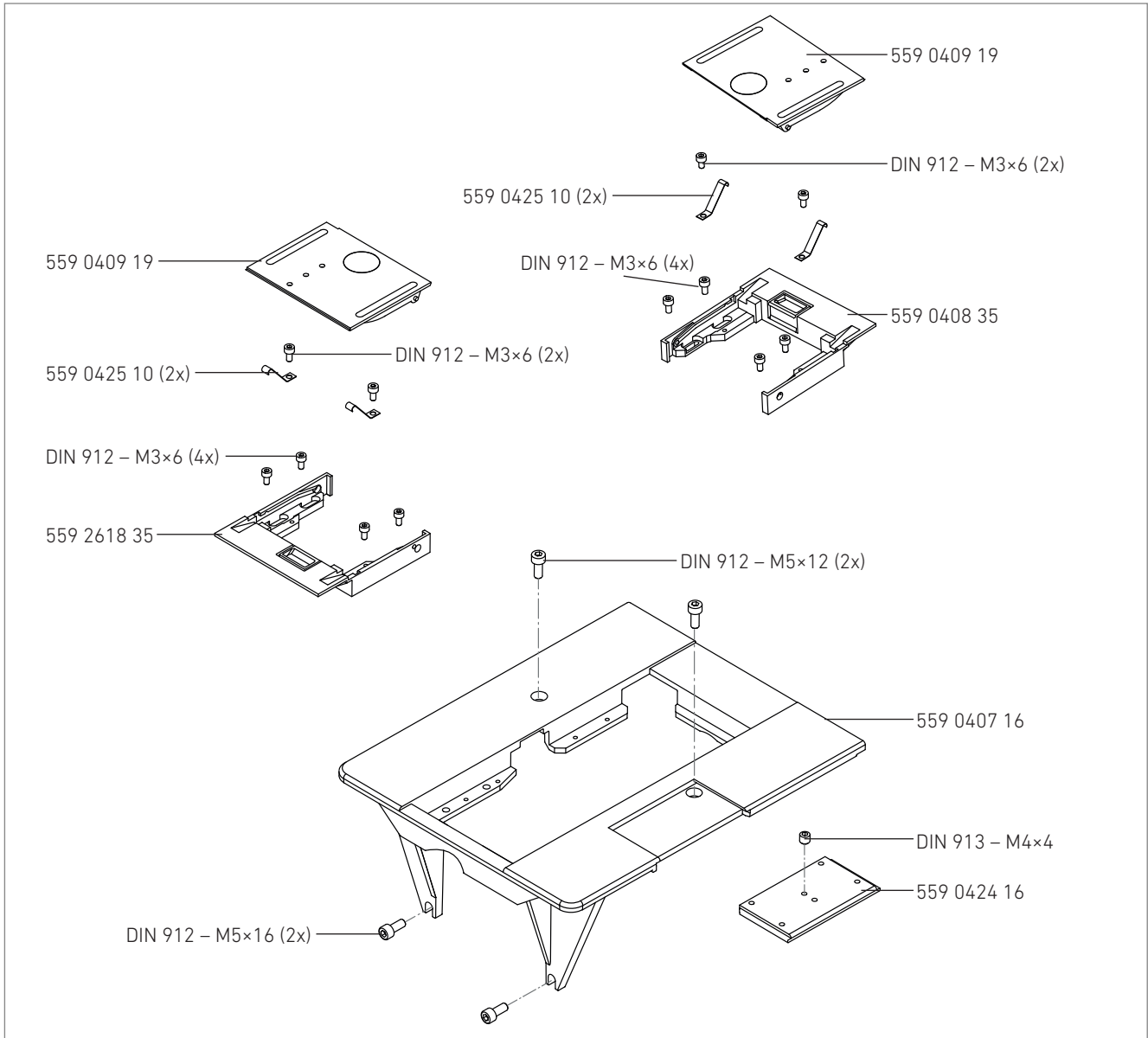


03. BASE MODULE

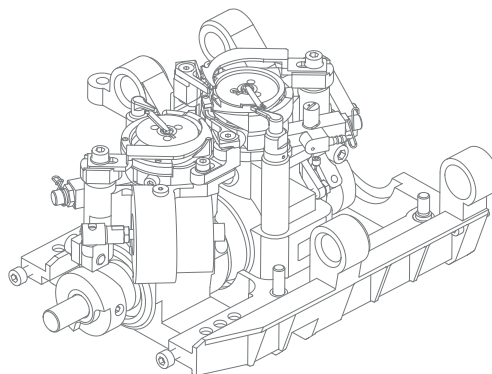
01.02. COVER - 2-NEEDLE



STANDARD PLATE 2-NEEDLE



559 1846 09

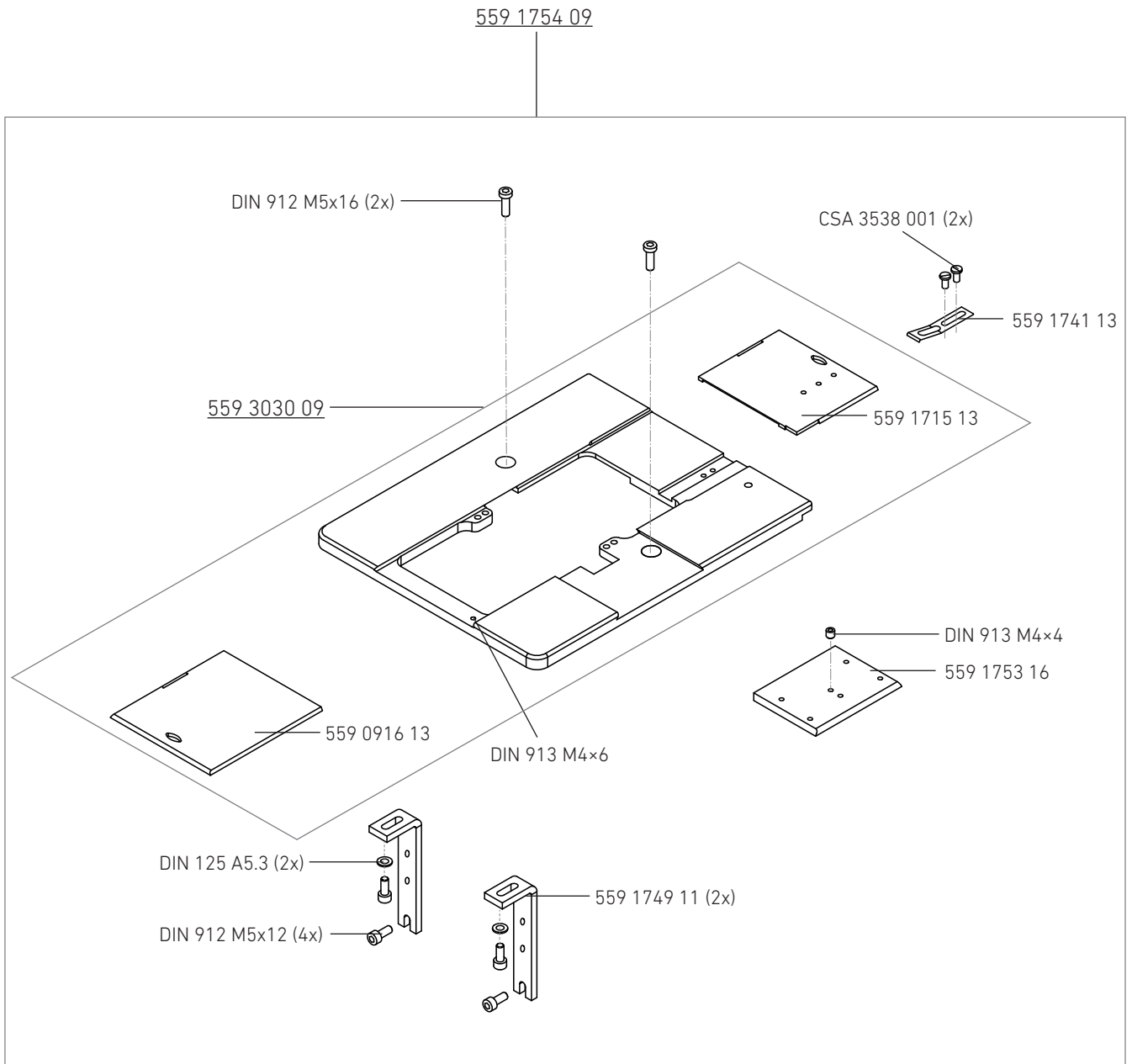


03. BASE MODULE

01.03. COVER - SHORT CUTTER

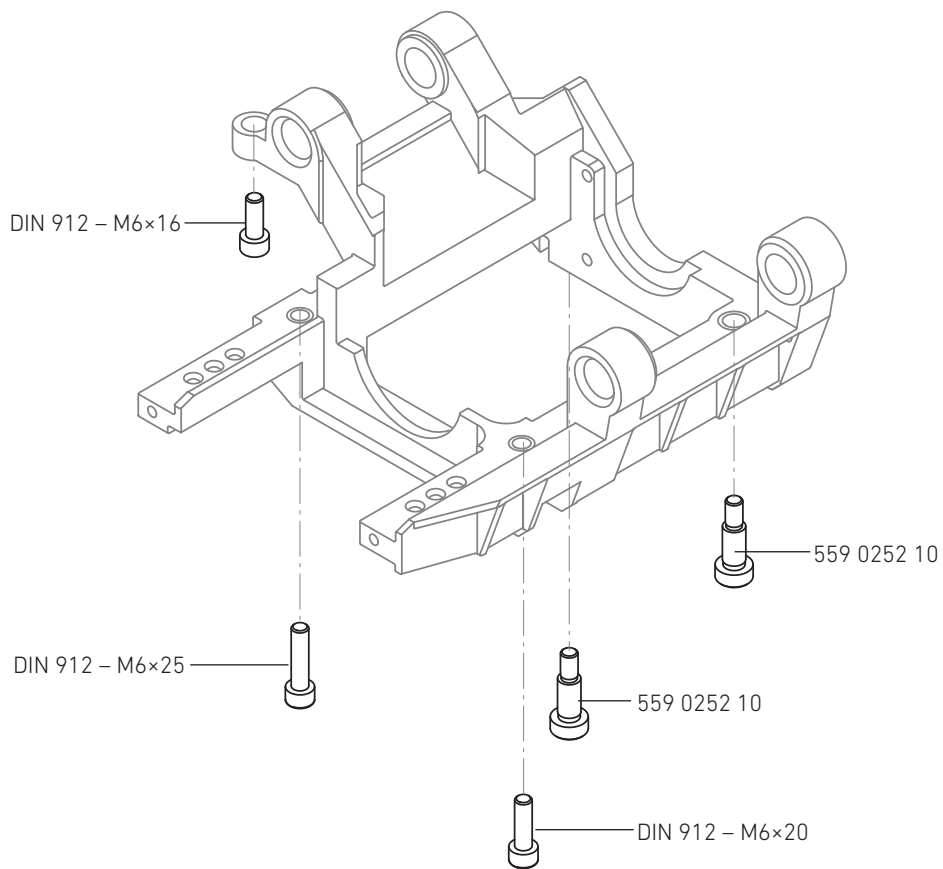
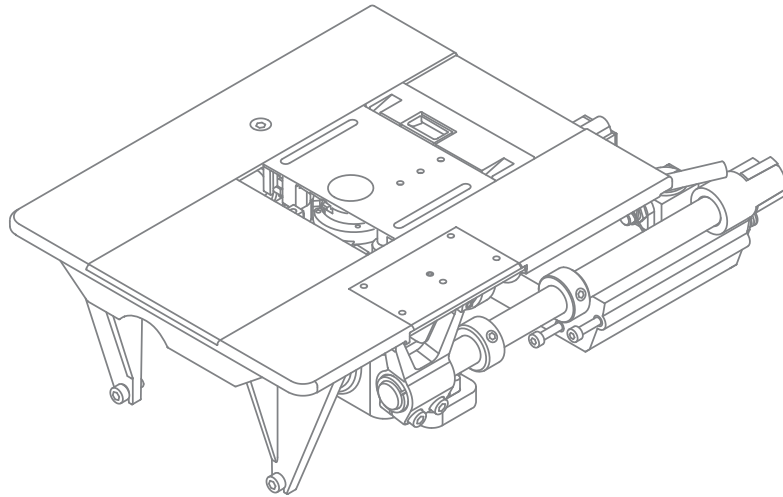


METAL BED PLATE ASSY



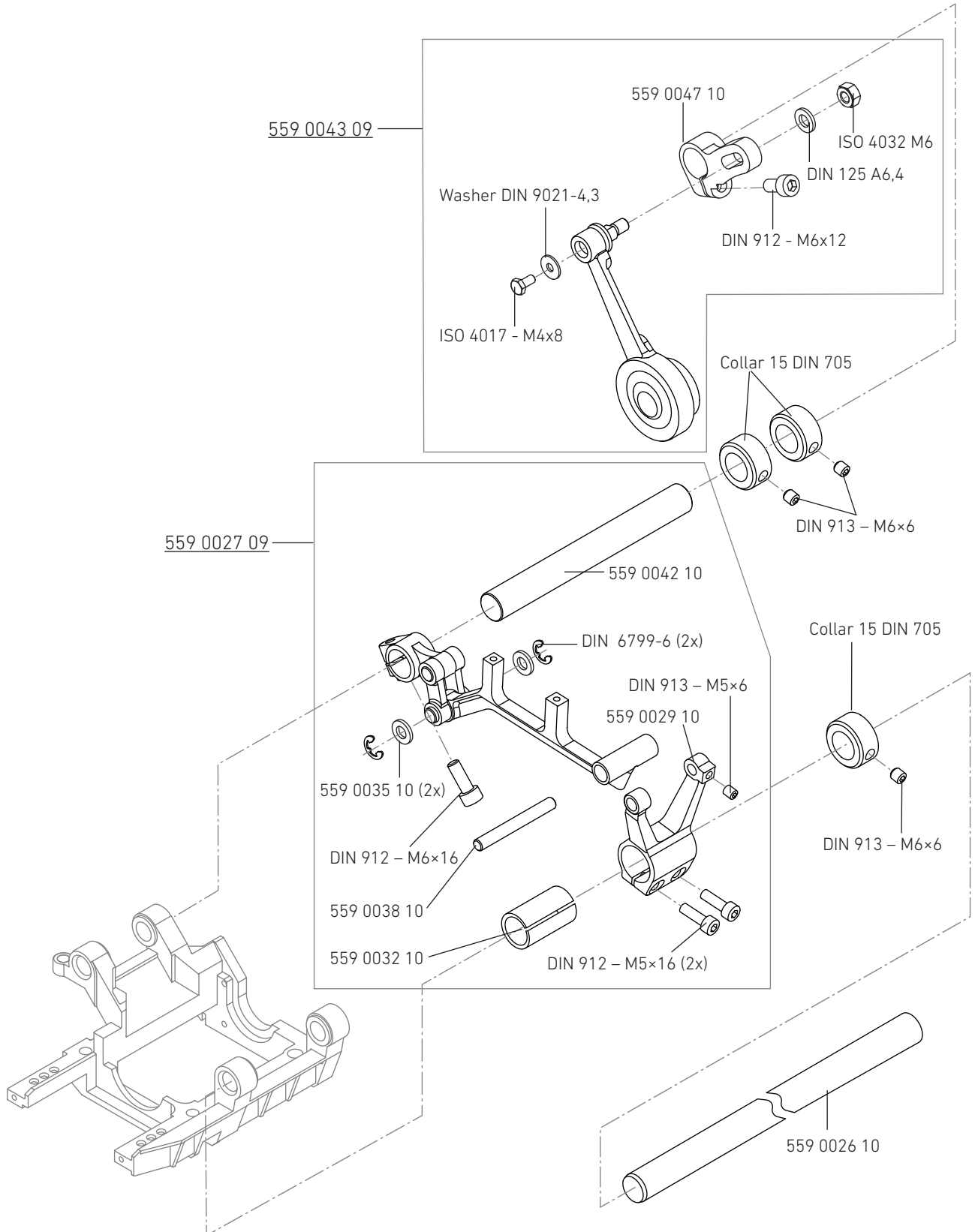
03. BASE MODULE

02. MOUNTING BRACKET HOUSING



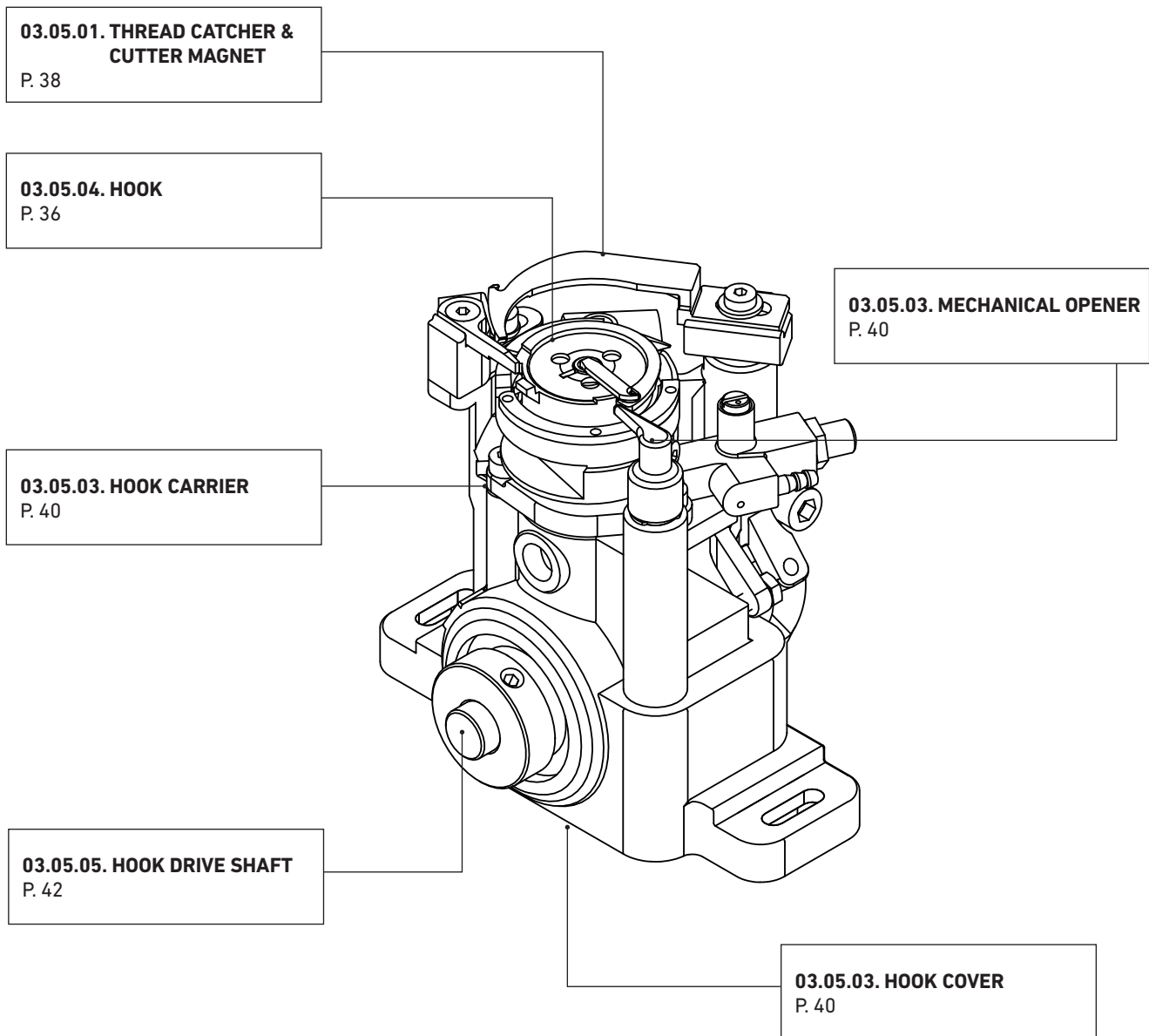
03. BASE MODULE

03. FEED DOG CARRIER & FEED SHAFT MECHANISM



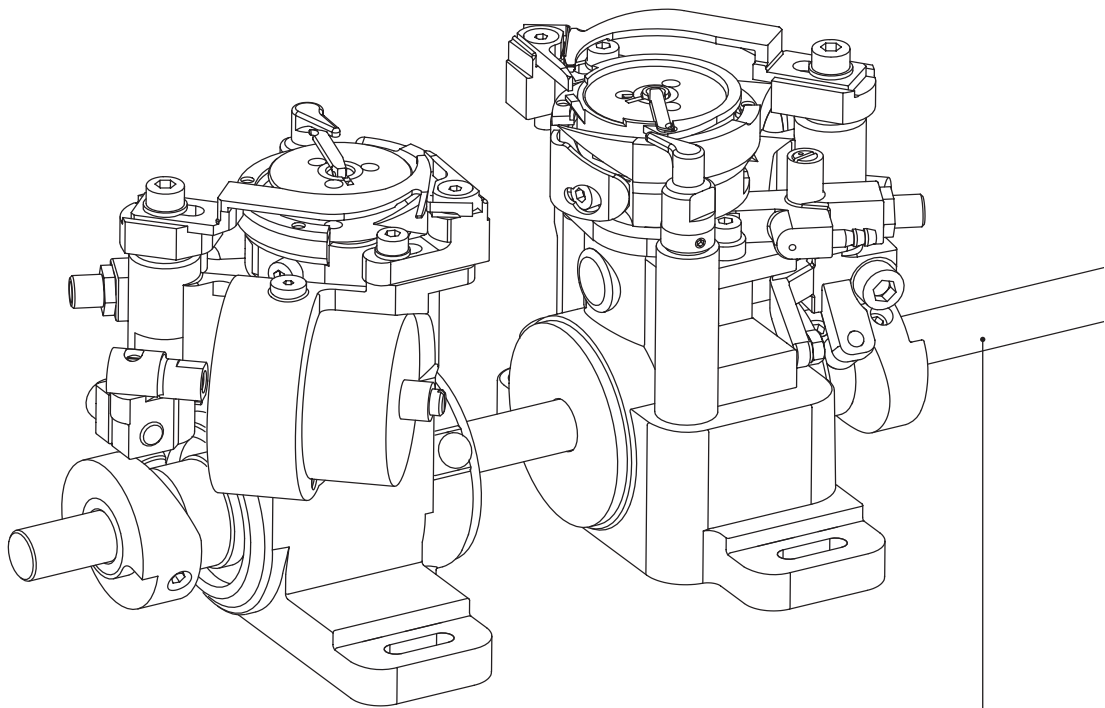
03. BASE MODULE

04. HOOK OVERVIEW FOR LEFT & RIGHT HOOK - 1-NEEDLE



03. BASE MODULE

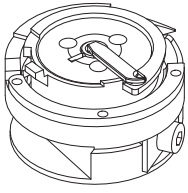
04.01. HOOK OVERVIEW - 2-NEEDLE



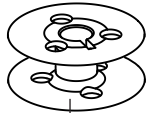
03.05.06. HOOK DRIVE SHAFT
P. 43

03. BASE MODULE

04.02. HOOK - STANDARD (LEFT & RIGHT)



559 0960 09 (26mm)
559 0961 09 (32mm)



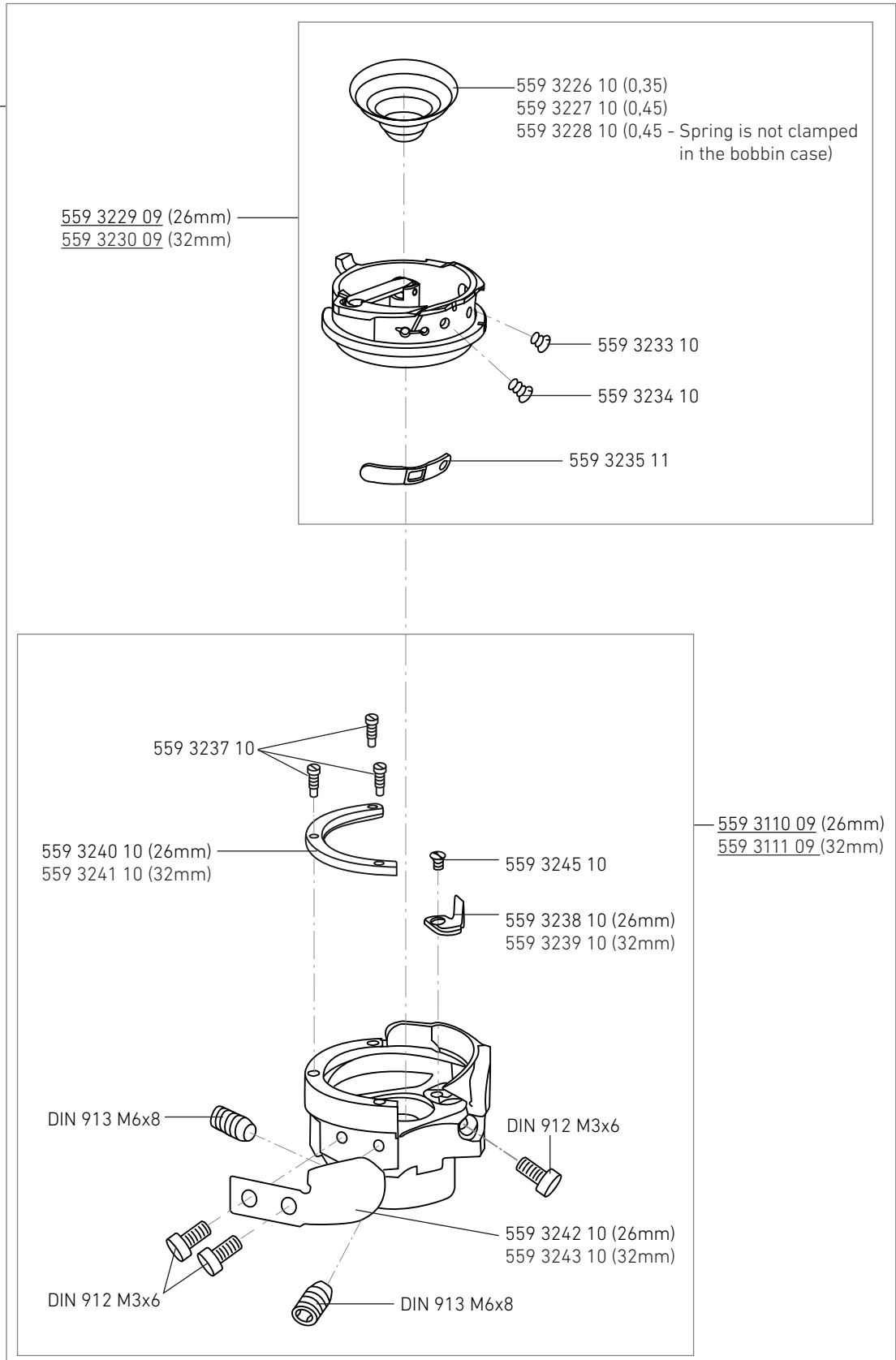
Standard / Short Cutter
559 2679 10 (26mm)
559 0827 30 (32mm)

Bobbin Thread Monitor:
559 3167 10 (26mm)
559 3360 10 (32mm)

OPTIONAL

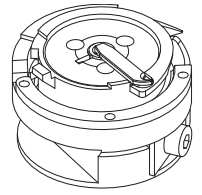


559 3244 10 (26mm)
559 3341 10 (32mm)

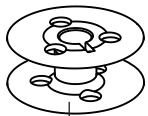


03. BASE MODULE

04.02.01. HOOK - SHORT CUTTER

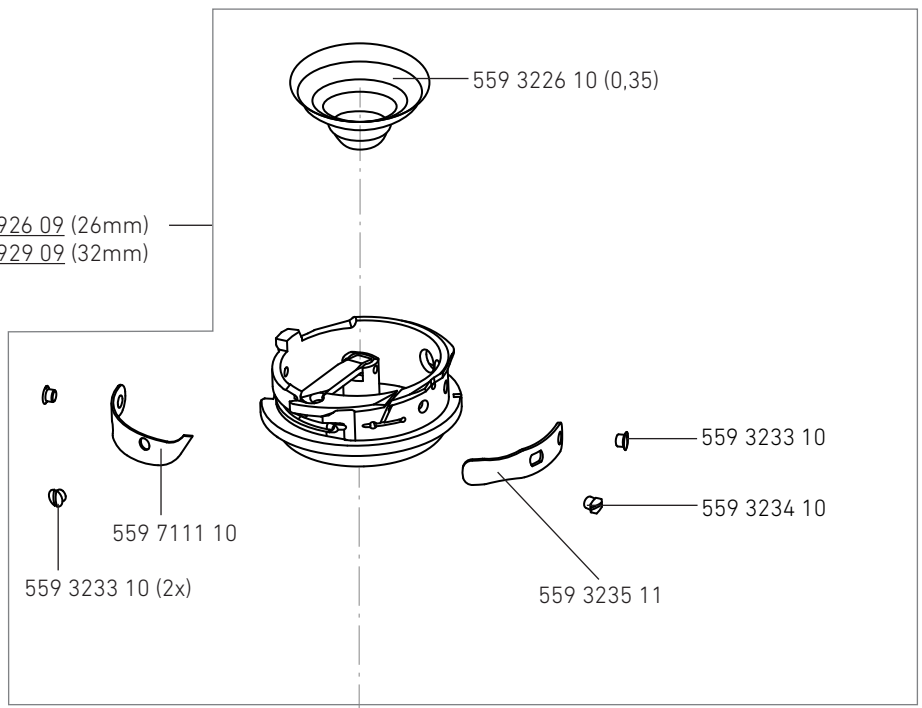


- ★ 559 1925 09 (26mm)
- ★ 559 1928 09 (32mm)

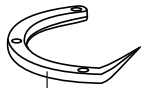


- Standard / Short Cutter**
 559 2679 10 (26mm)
 559 0827 30 (32mm)
- Bobbin Thread Monitor:**
 559 3167 10 (26mm)
 559 3360 10 (32mm)

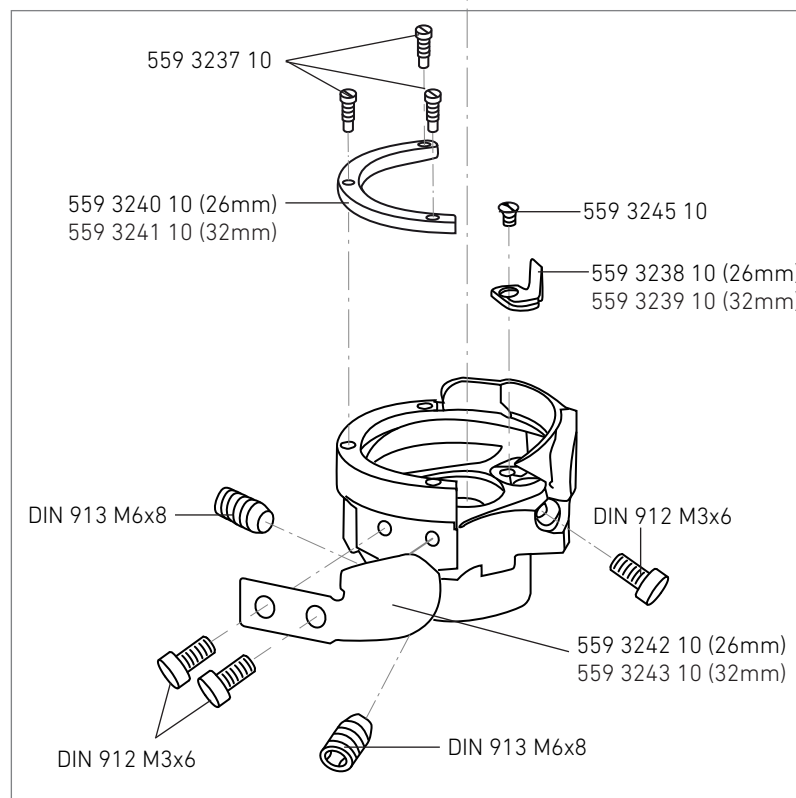
- ★ 559 1926 09 (26mm)
- ★ 559 1929 09 (32mm)



OPTIONAL



- 559 3244 10 (26mm)
- 559 3341 10 (32mm)



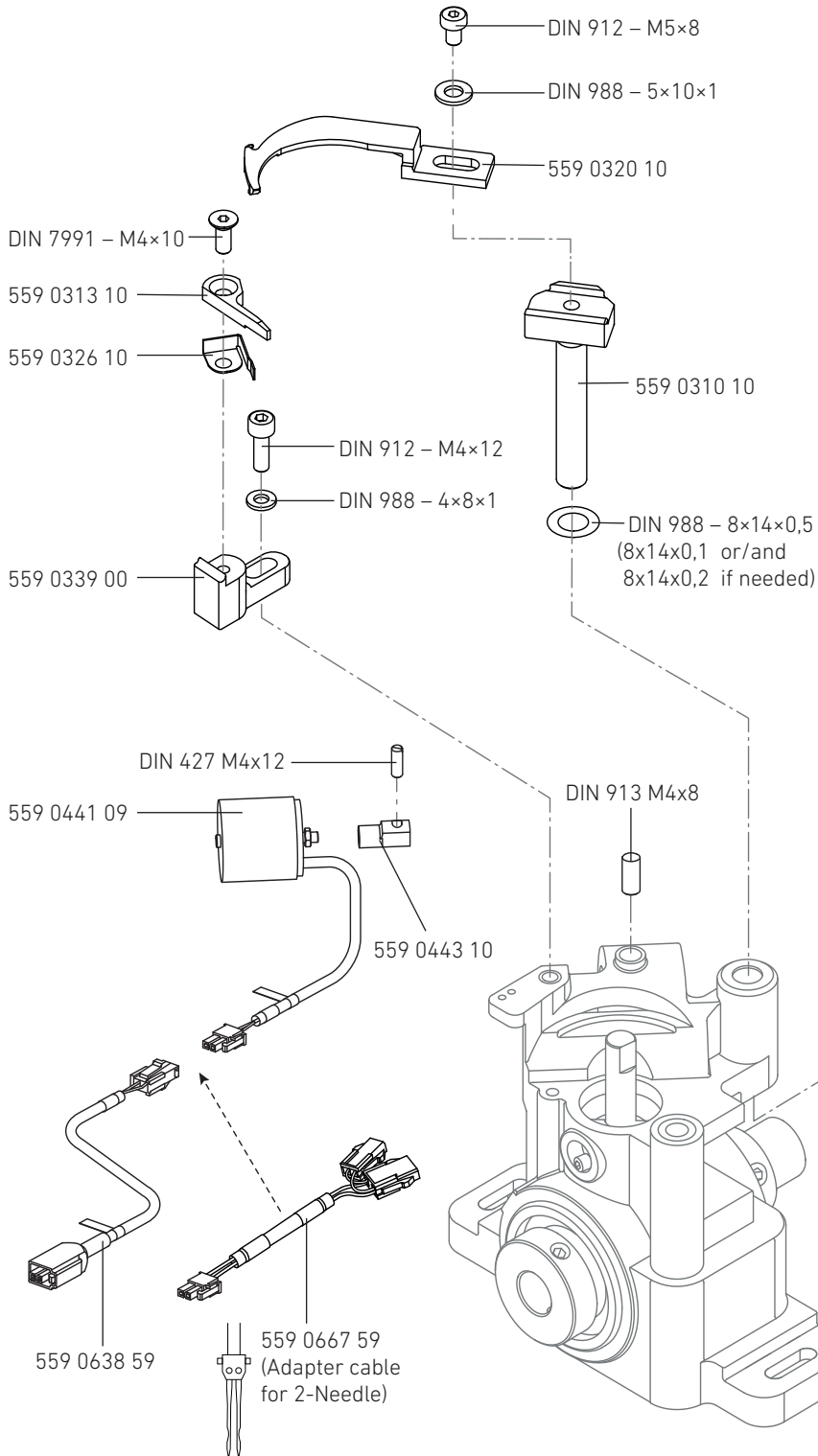
- 559 3112 09 (26mm)
- 559 3113 09 (32mm)

★ New designed. See 03.05. for previous version

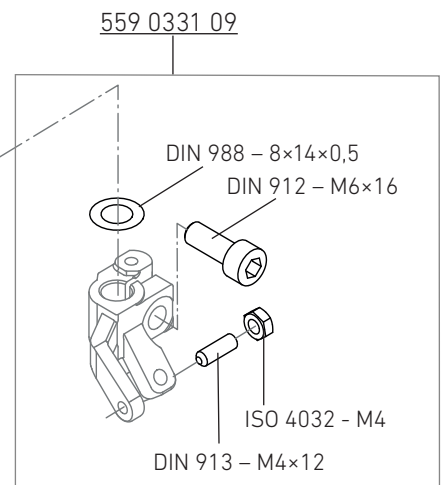
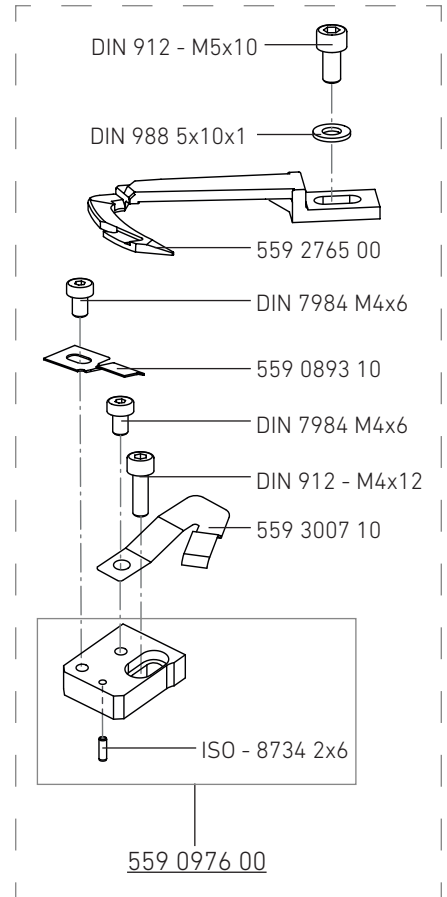
03. BASE MODULE

04.03. THREAD CATCHER & CUTTER MAGNET

STANDARD FOR LEFT & RIGHT HOOK

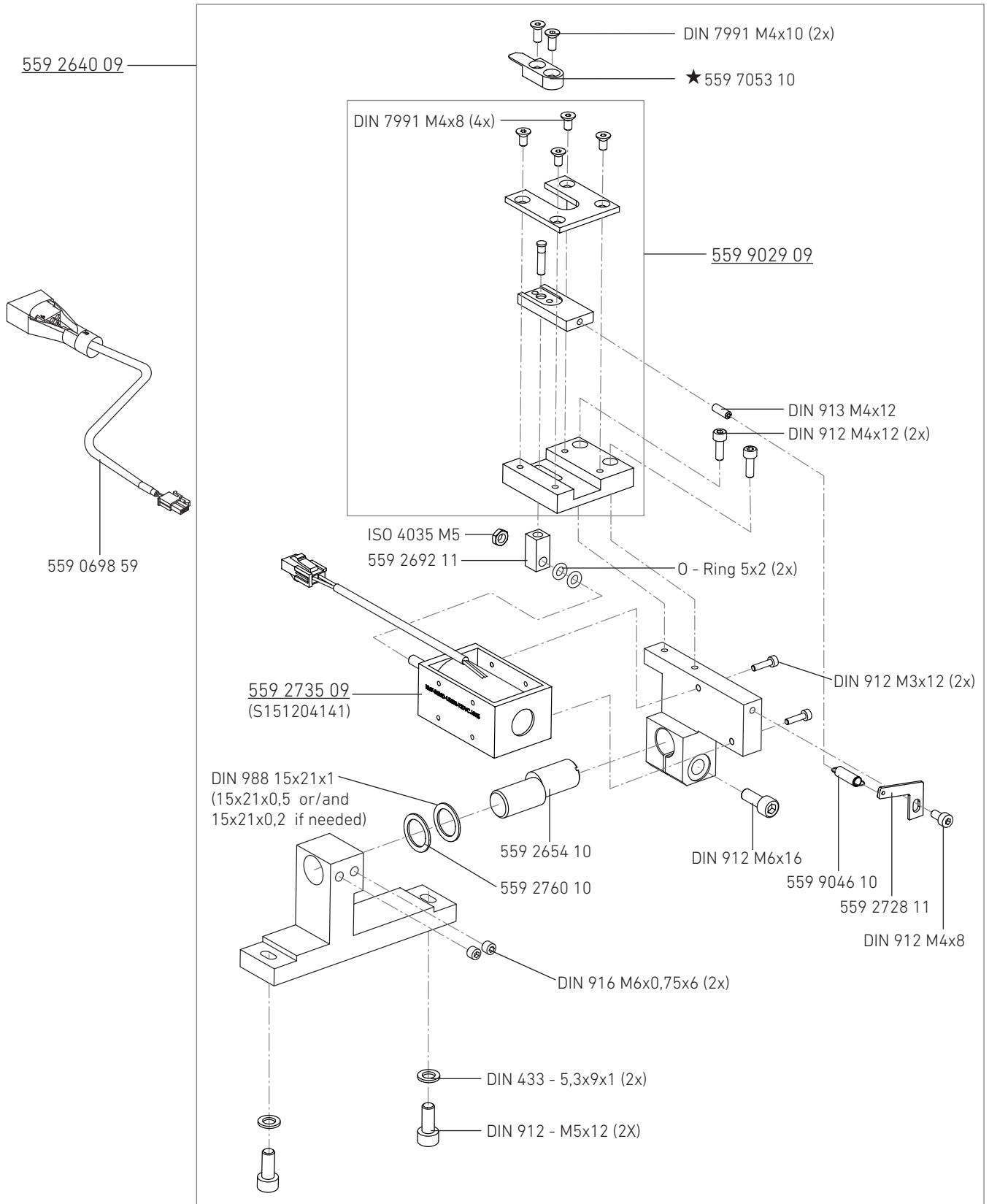


SHORT CUTTER FOR RIGHT HOOK ONLY



03. BASE MODULE

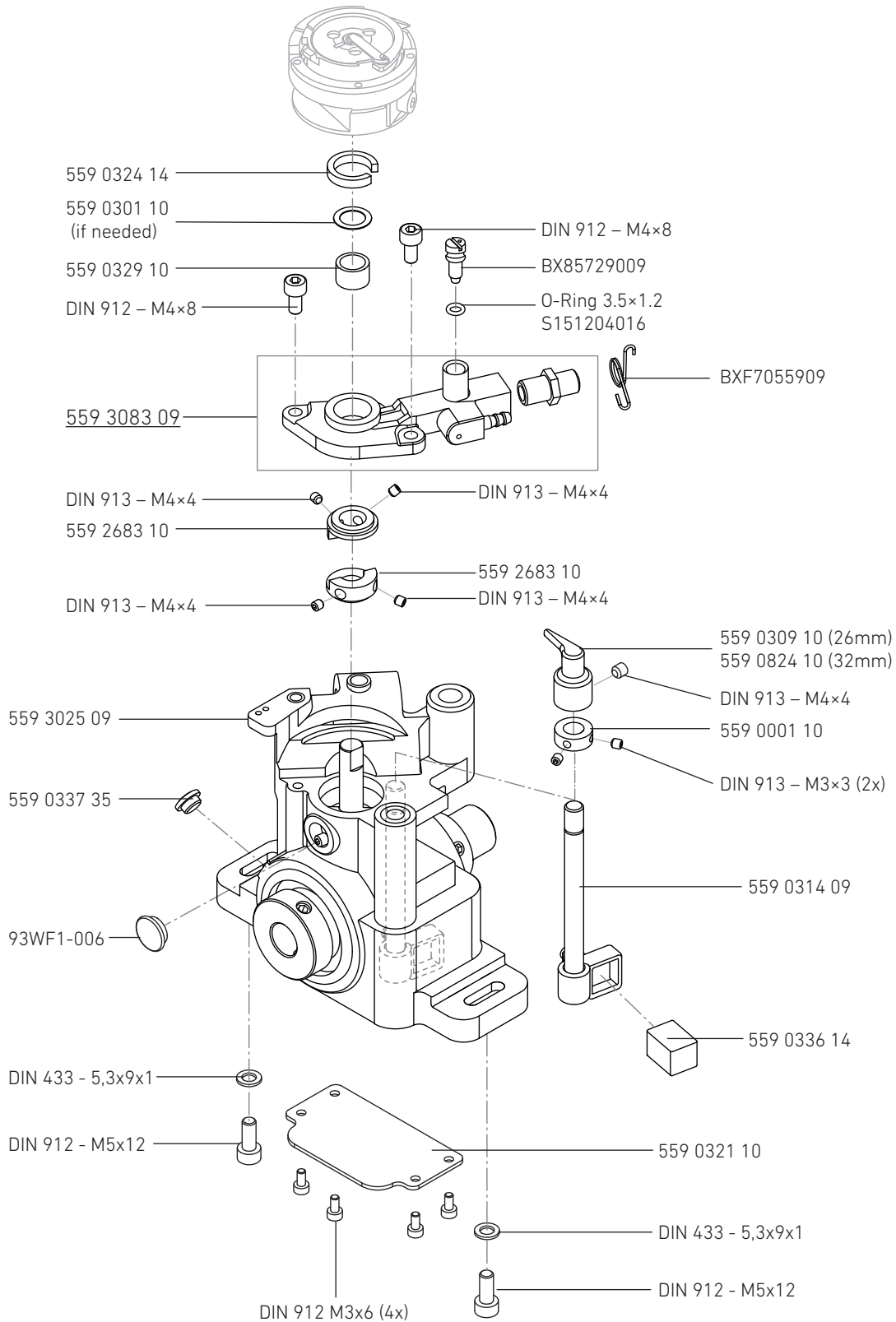
04.04. SHORT CUTTER (HOOK RIGHT ONLY)



★ New designed. See 03.05. for previous version

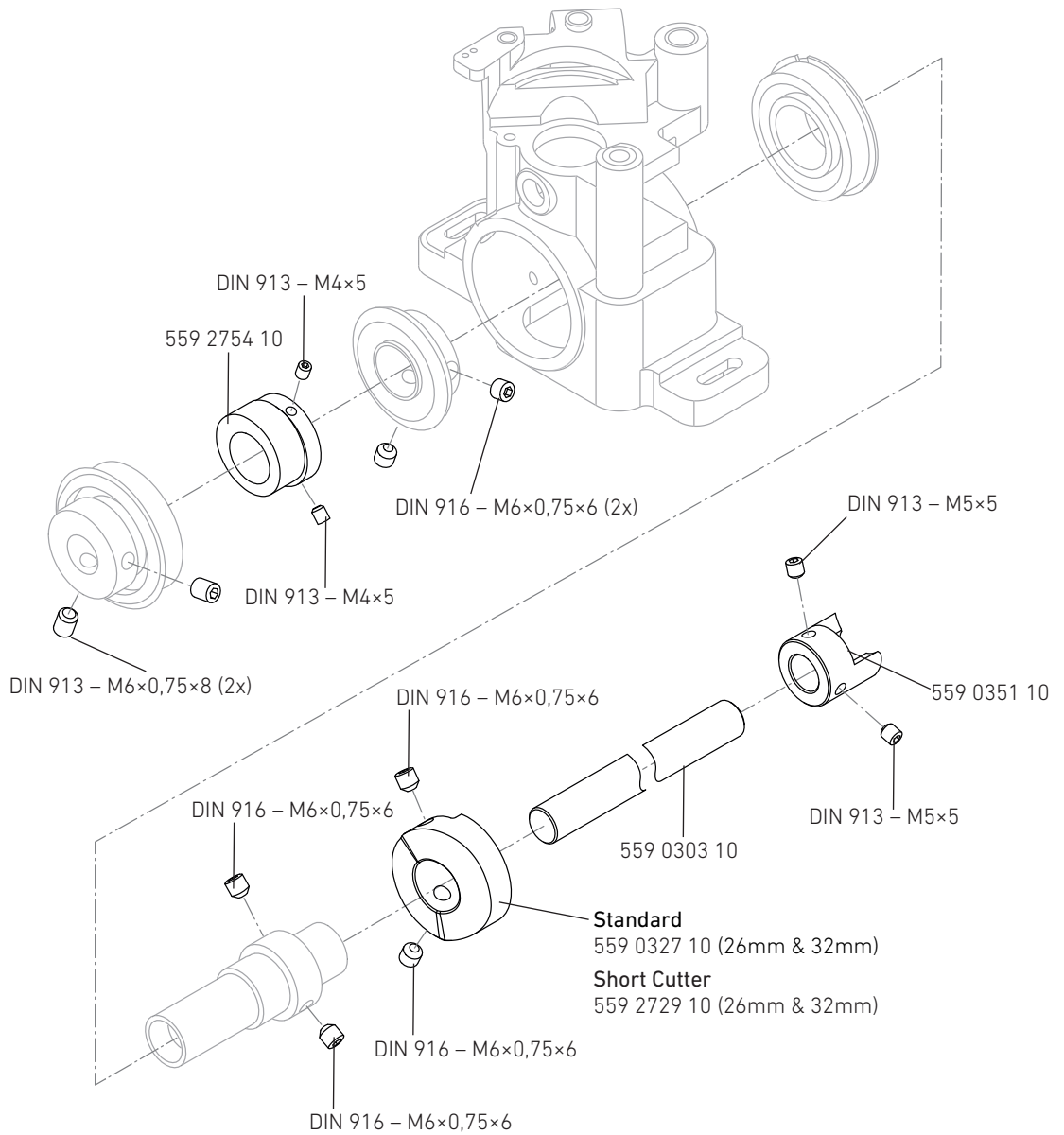
03. BASE MODULE

04.05. HOOK CARRIER / MECHANICAL OPENER / HOOK COVER (FOR LEFT & RIGHT HOOK)



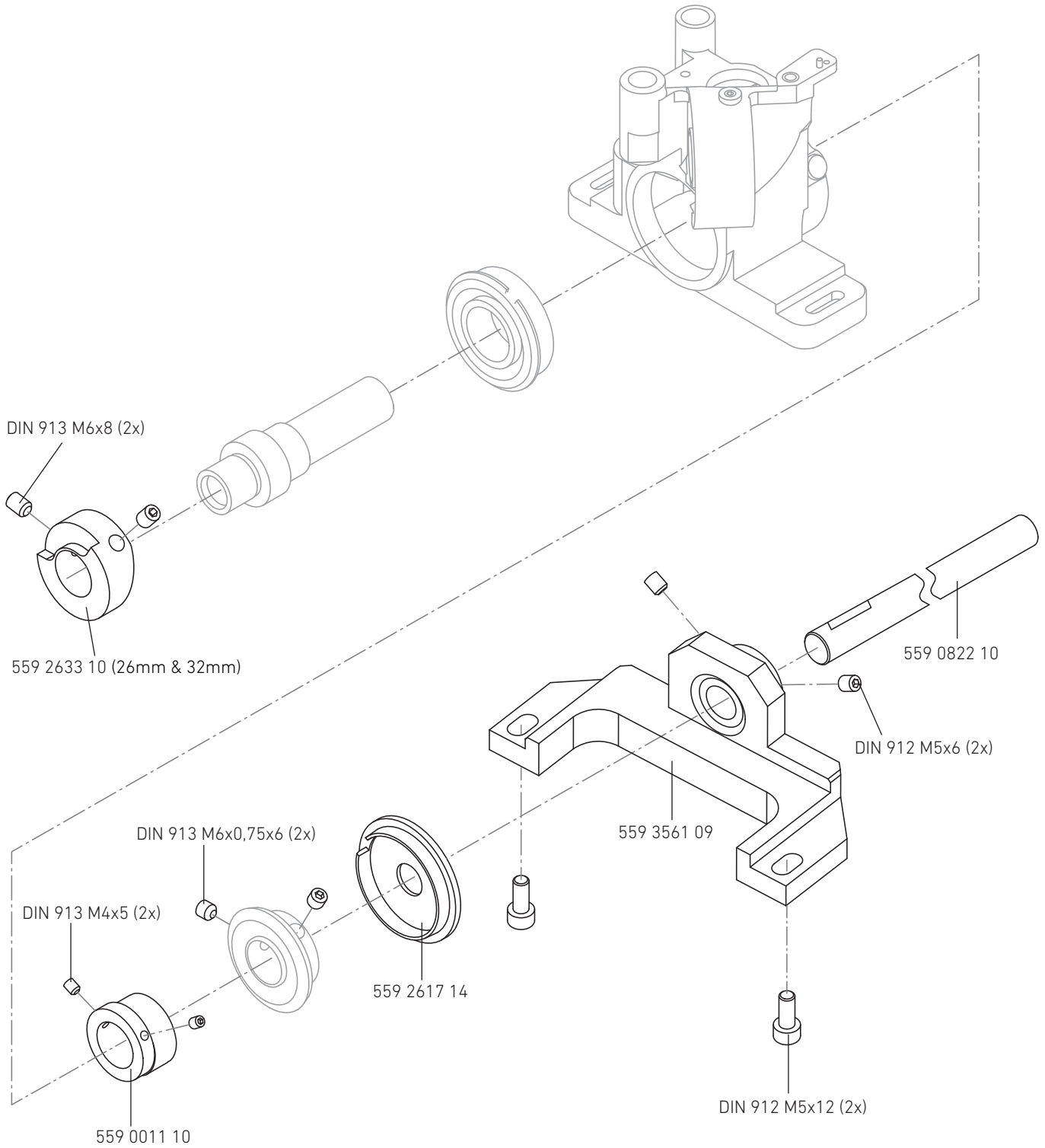
03. BASE MODULE

04.06. HOOK DRIVE SHAFT - FOR RIGHT HOOK



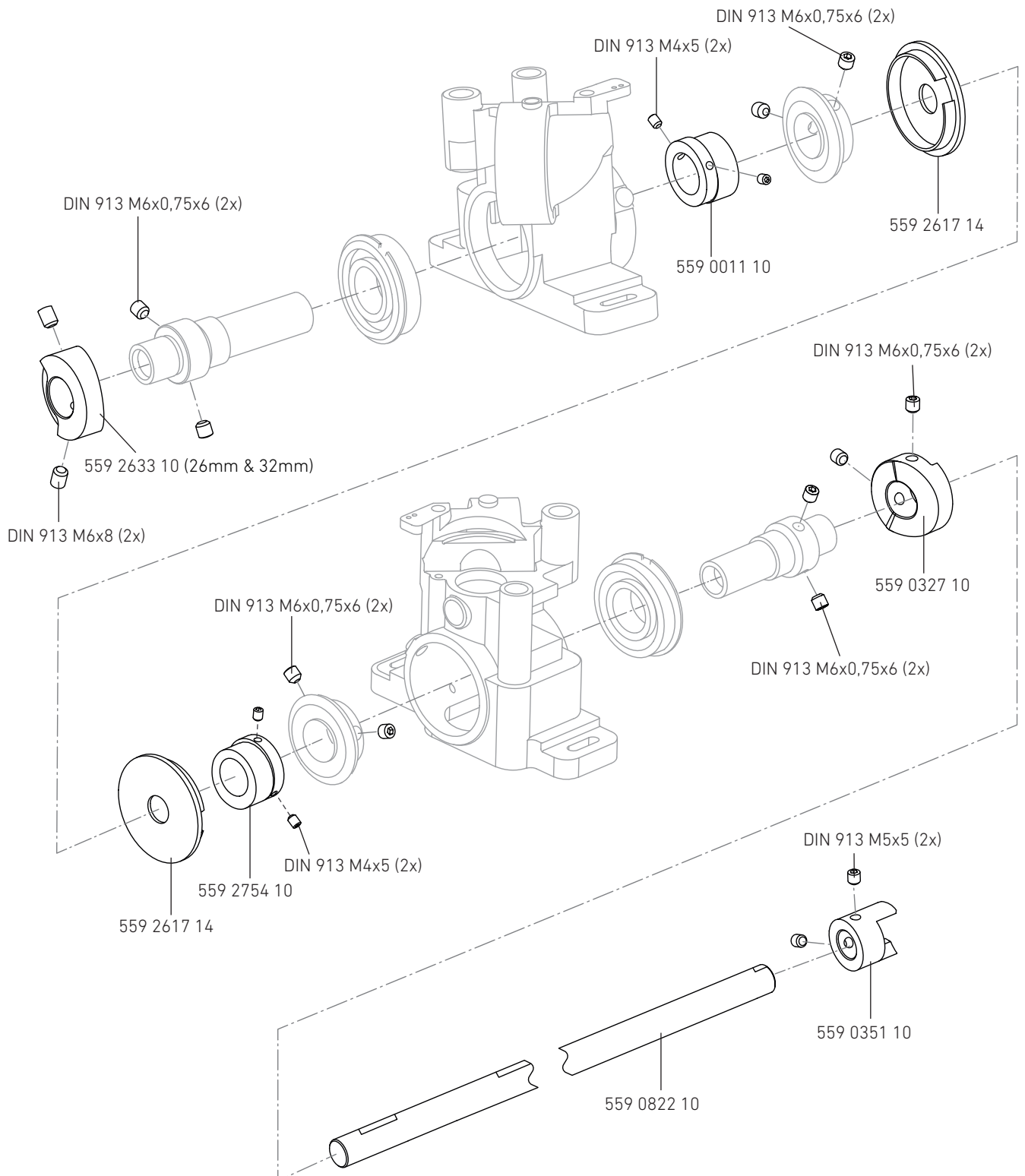
03. BASE MODULE

04.06.01. HOOK DRIVE SHAFT - FOR LEFT HOOK



03. BASE MODULE

04.07. HOOK DRIVE SHAFT - 2-NEEDLE



03. BASE MODULE

05. PREVIOUS VERSIONS



NOTE!

These parts have been replaced by new designed parts.
After consumption they will no longer be available.

PREVIOUS VERSION	IS REPLACED BY
	<p>559 1835 09 (32mm) Short cutter - Bobbin case</p> <p>559 1842 10 (32mm) Tension spring</p>
	<p>559 7053 10</p>
	<p>559 1925 09 (26mm) 559 1928 09 (32mm)</p>
	<p>559 1926 09 (26mm) 559 1929 09 (32mm)</p>

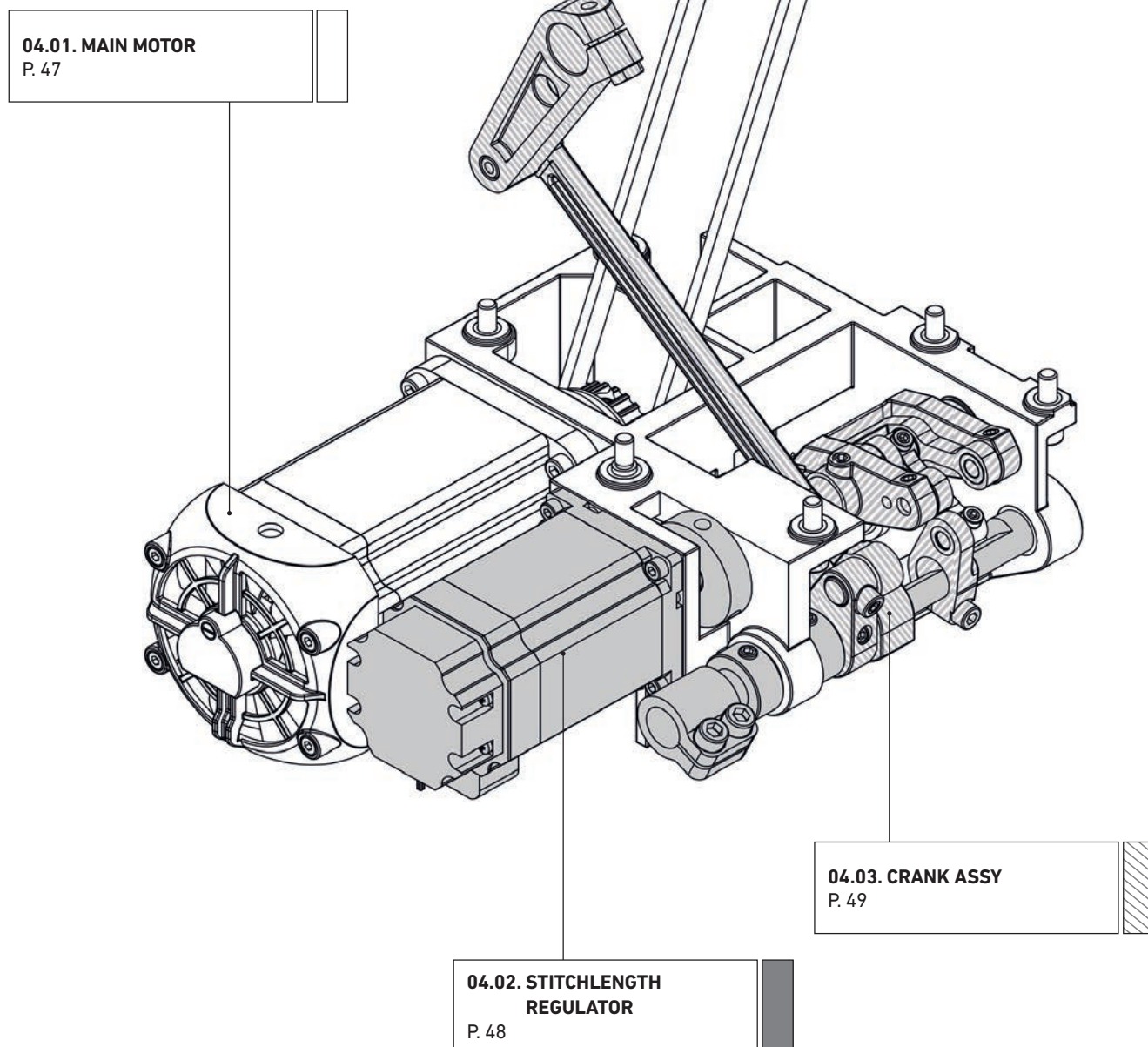
04. MAIN DRIVE MODULE

557 311 000

46	MAIN DRIVE MODULE – OVERVIEW
47	01. MAIN MOTOR
48	02. STITCH LENGTH REGULATOR
49	03. CRANK ASSY

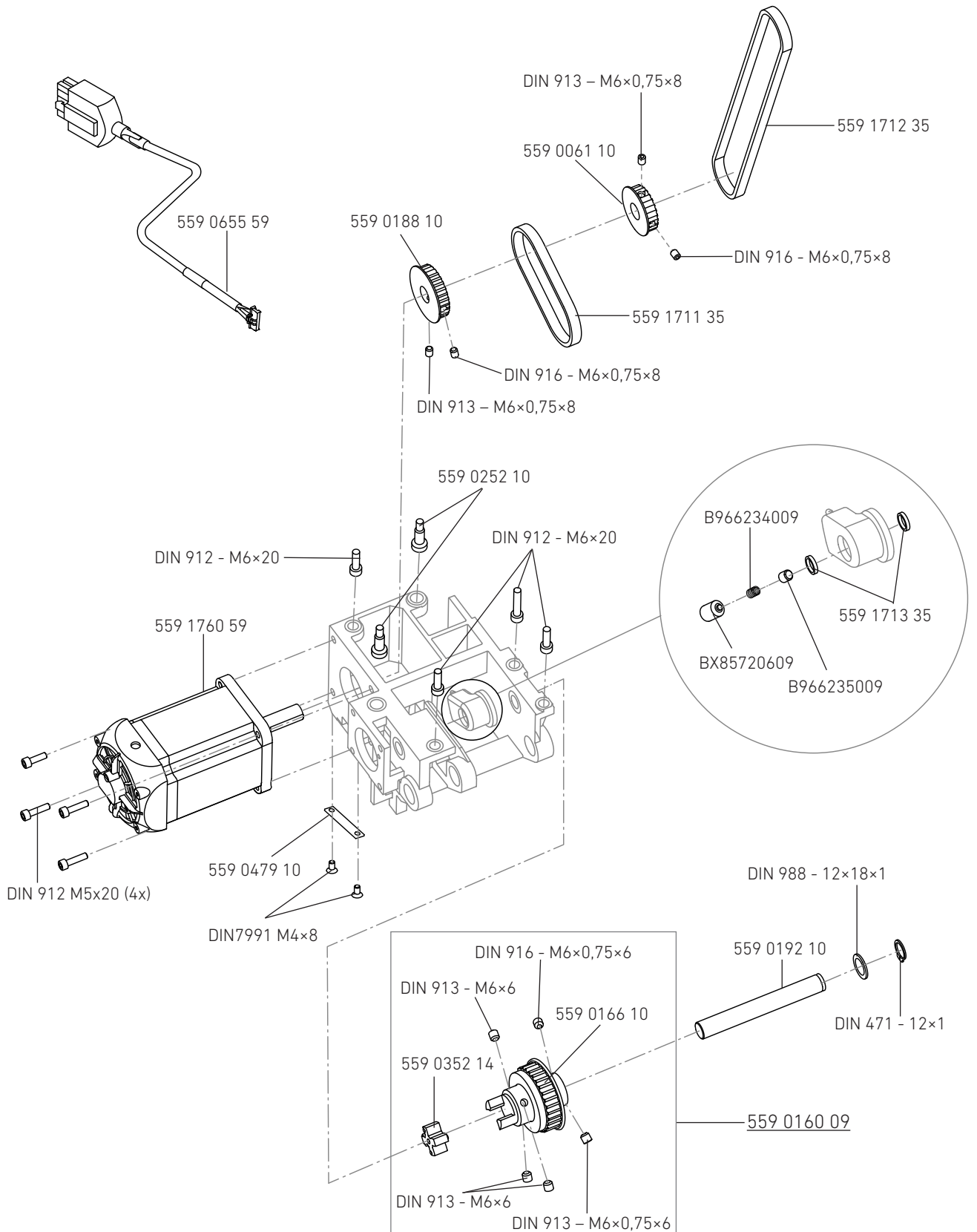
04. MAIN DRIVE MODULE

MAIN DRIVE MODULE – OVERVIEW



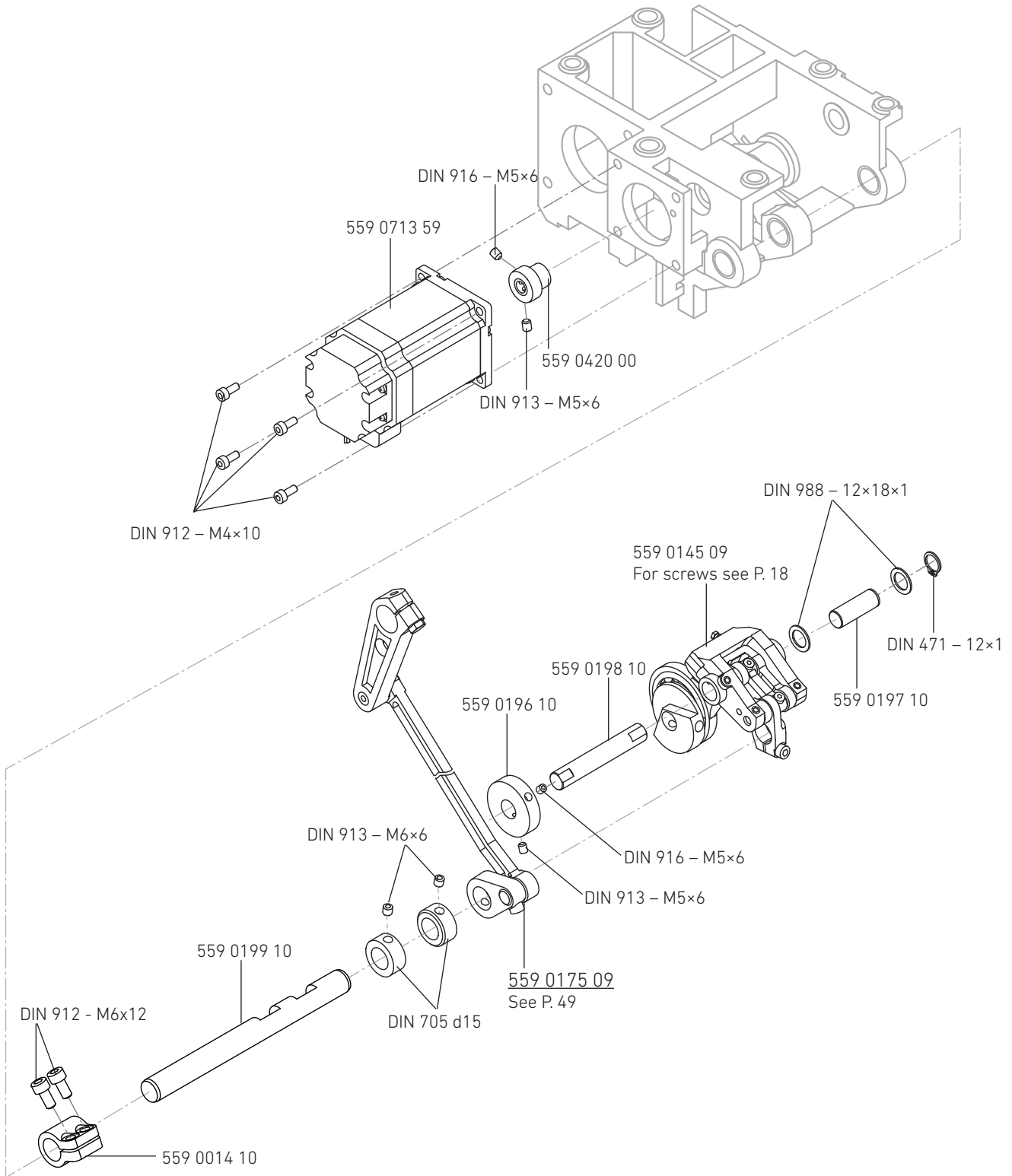
04. MAIN DRIVE MODULE

01. MAIN MOTOR



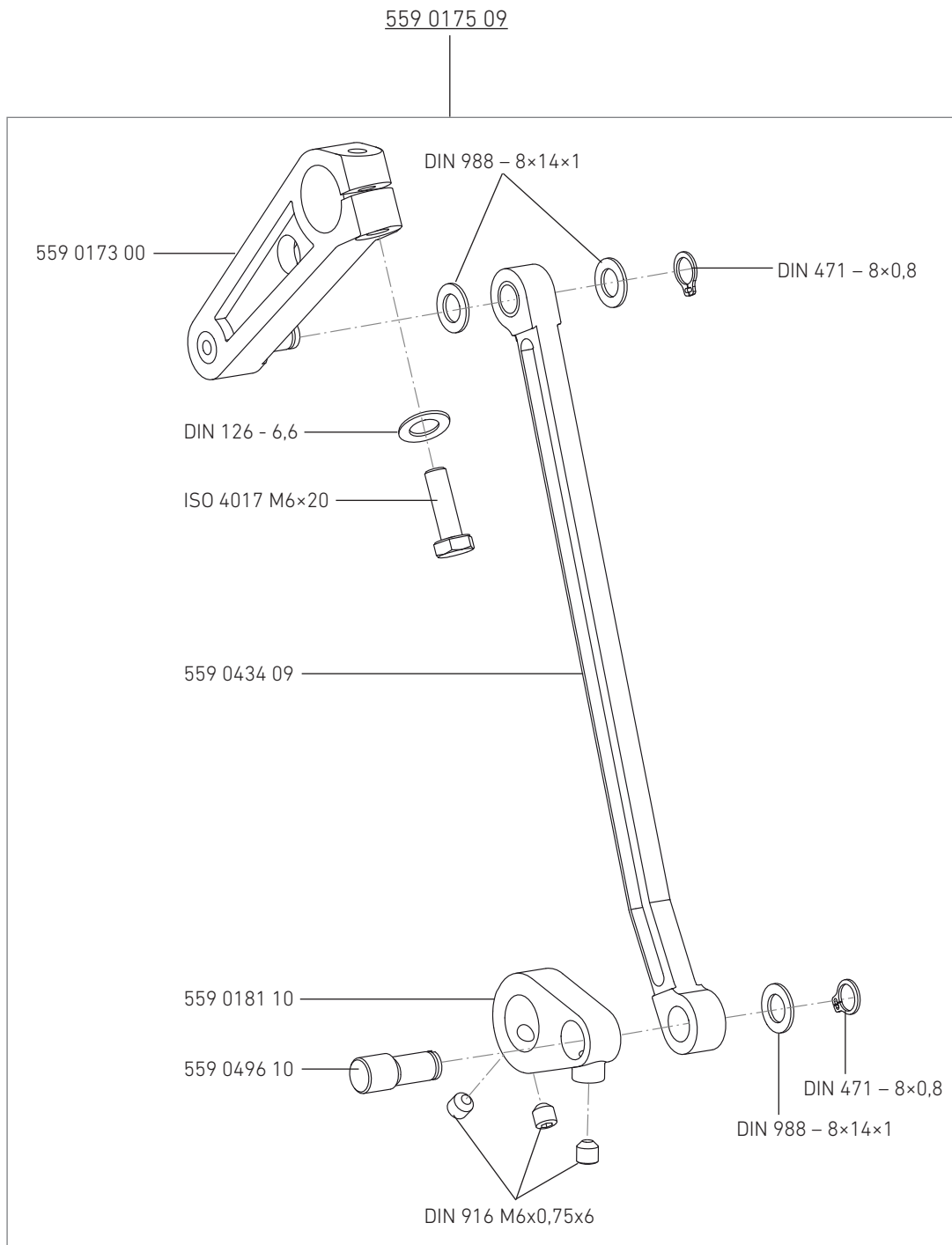
04. MAIN DRIVE MODULE

02. STITCH LENGTH REGULATOR



04. MAIN DRIVE MODULE

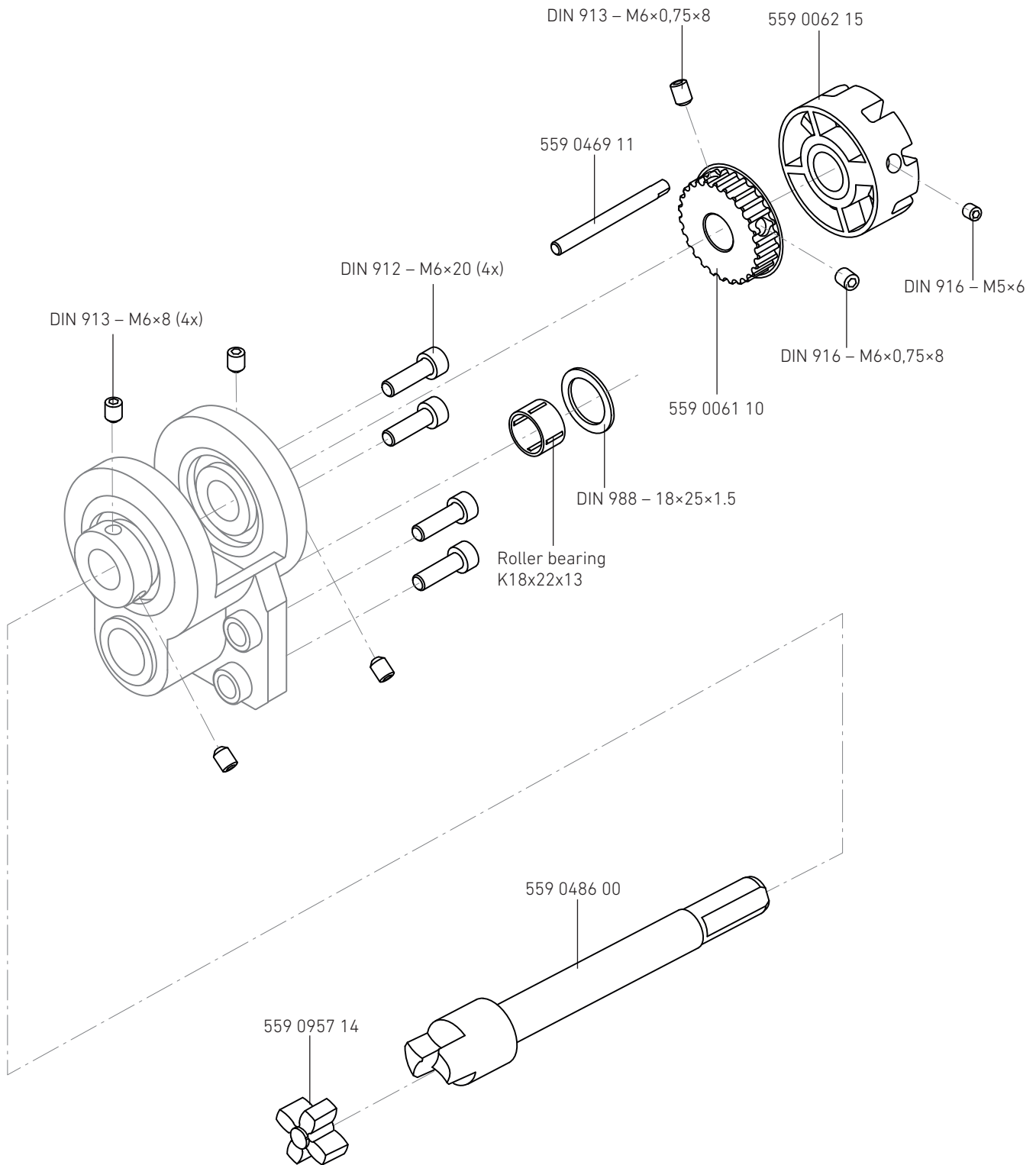
03. CRANK ASSY



04. MAIN DRIVE MODULE

52 **01. HANDWHEEL MODULE**

05. HANDWHEEL MODULE



06. LUBRICATION

54 01. HEAD

55 02. HOOK

56 03. OIL TANK

06. LUBRICATION

01. HEAD



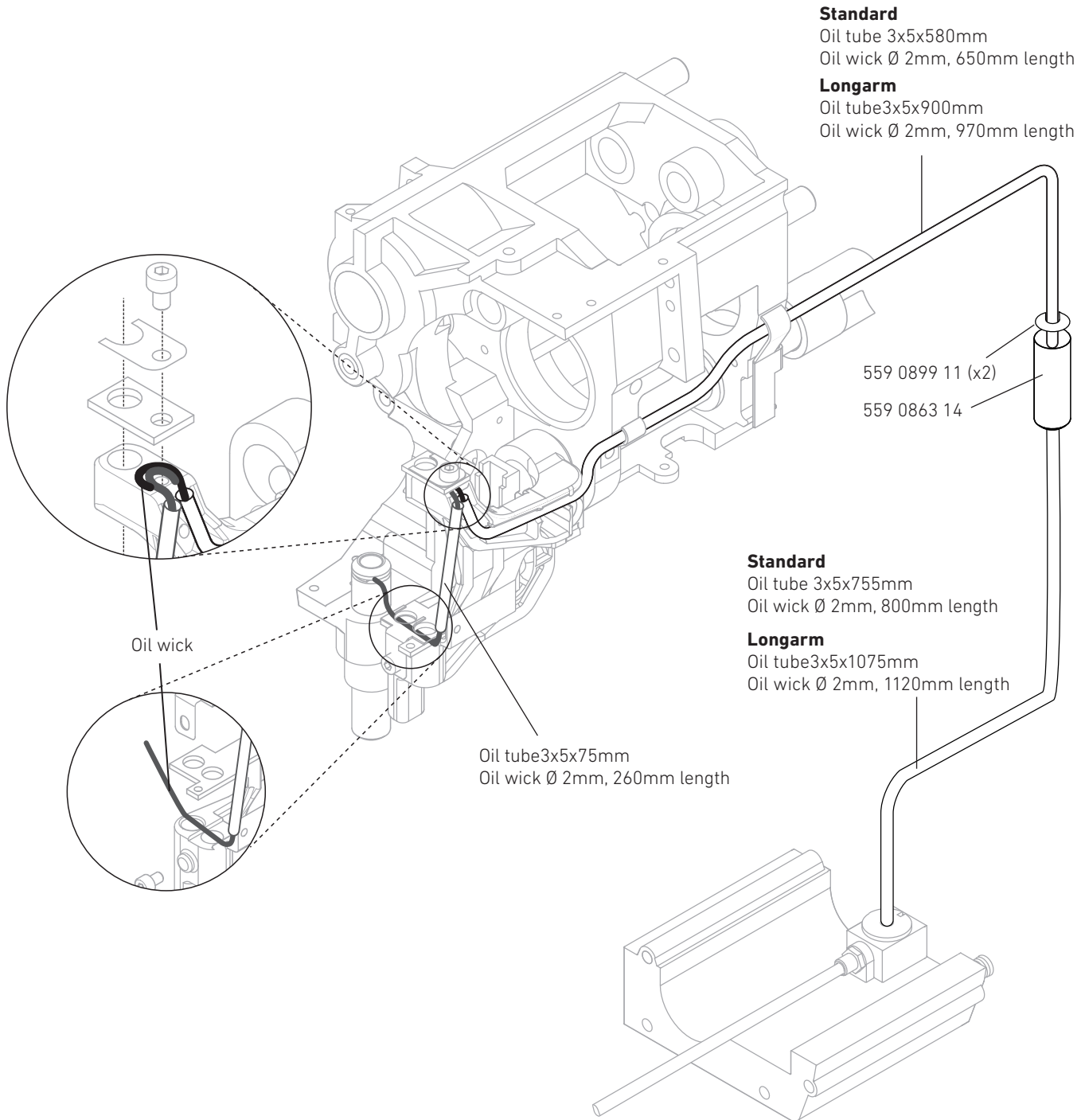
NOTE!

Oil tubes and oil wick can only be ordered by the meter!

Oil tube 3x5 : 559 3107 34

Oil tube 6x8 : 559 3108 34

Oil wick : Ø 2mm 559 3109 34



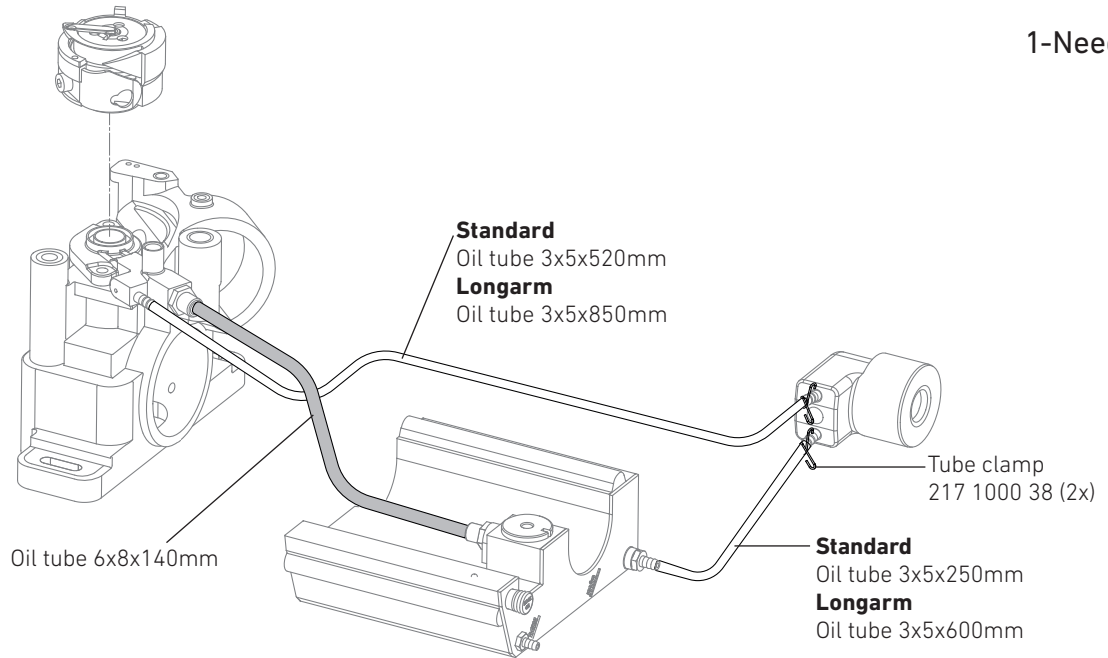


NOTE!

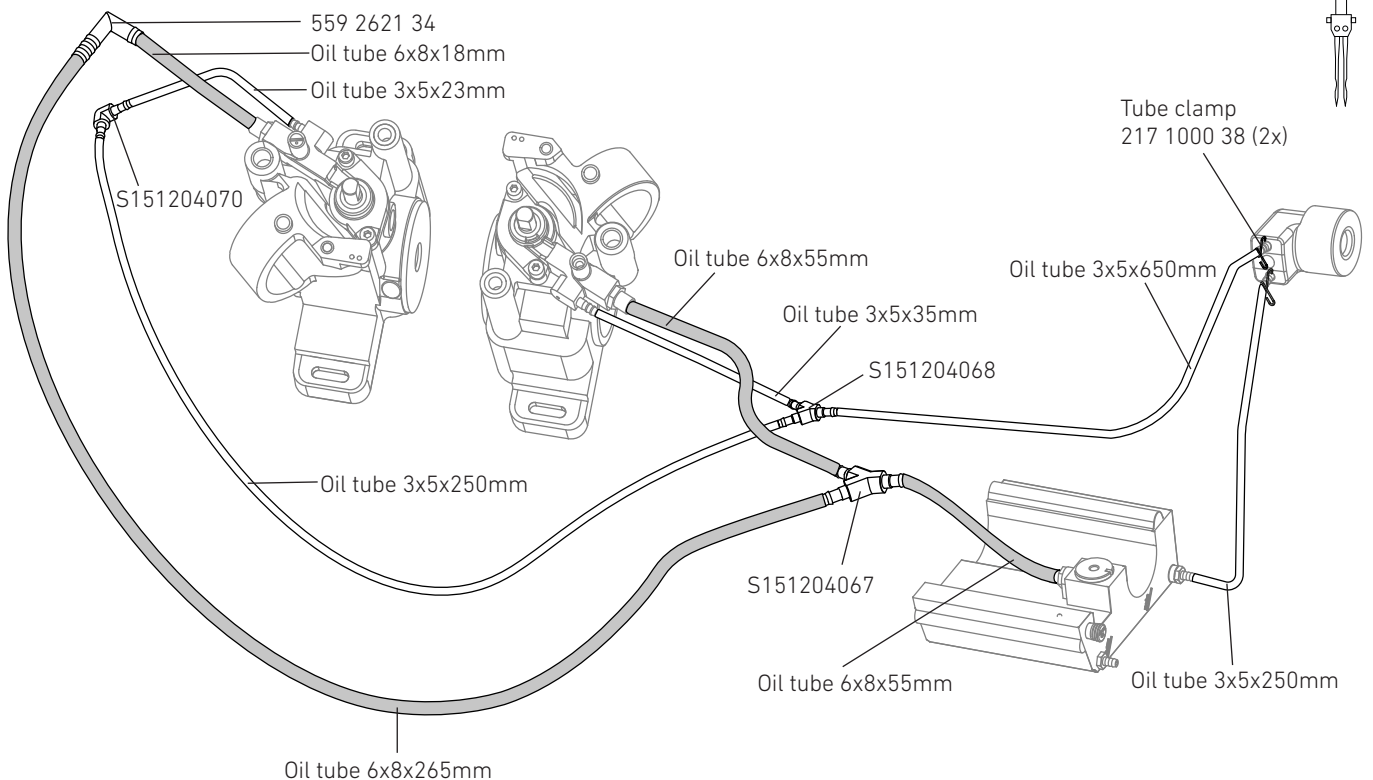
Oil tubes and oil wick can only be **ordered by the meter!**

- Oil tube 3x5 : 559 3107 34
- Oil tube 6x8 : 559 3108 34
- Oil wick : Ø 2mm 559 3109 34

1-Needle

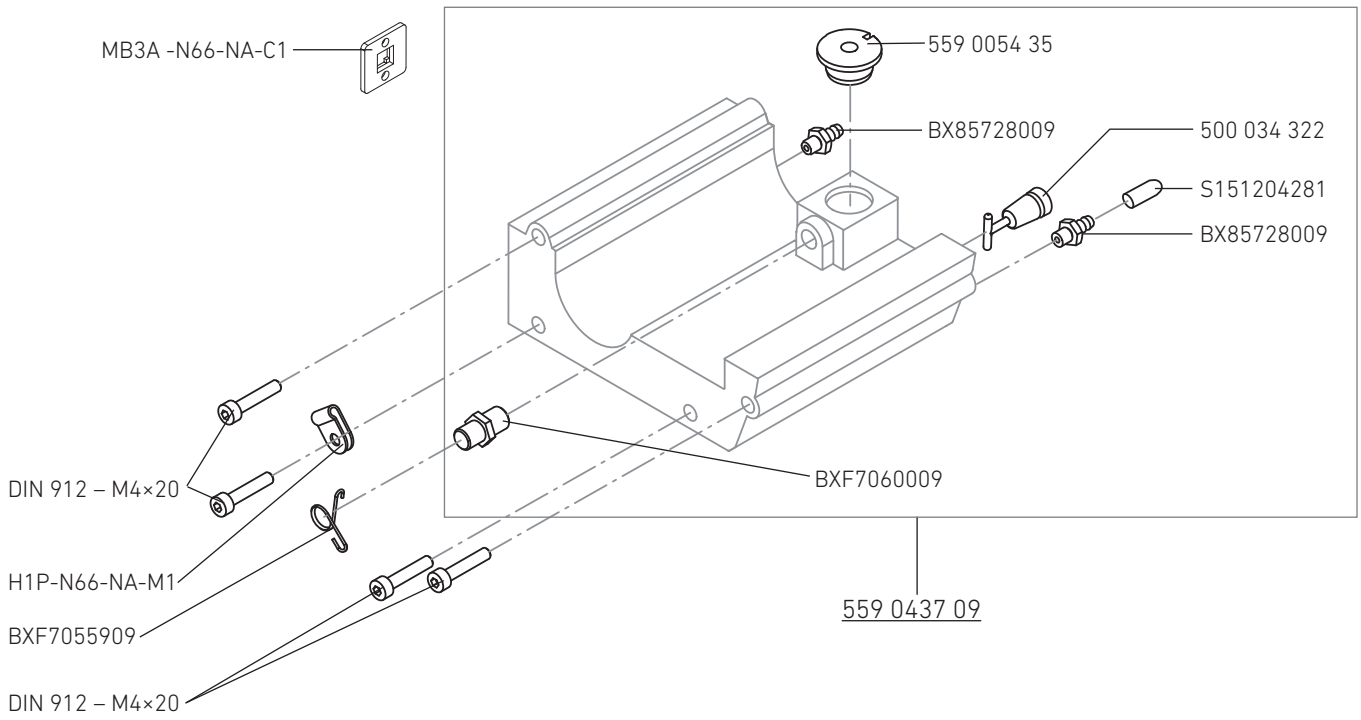


2-Needle



06. LUBRICATION

03. OIL TANK

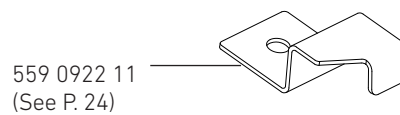
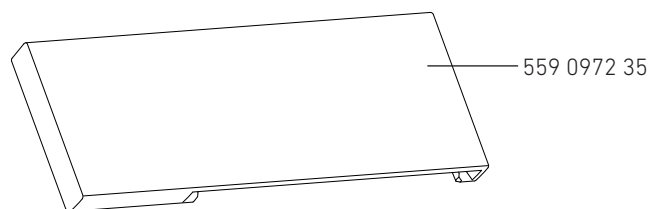


07. ELECTRONIC PARTS SEWING

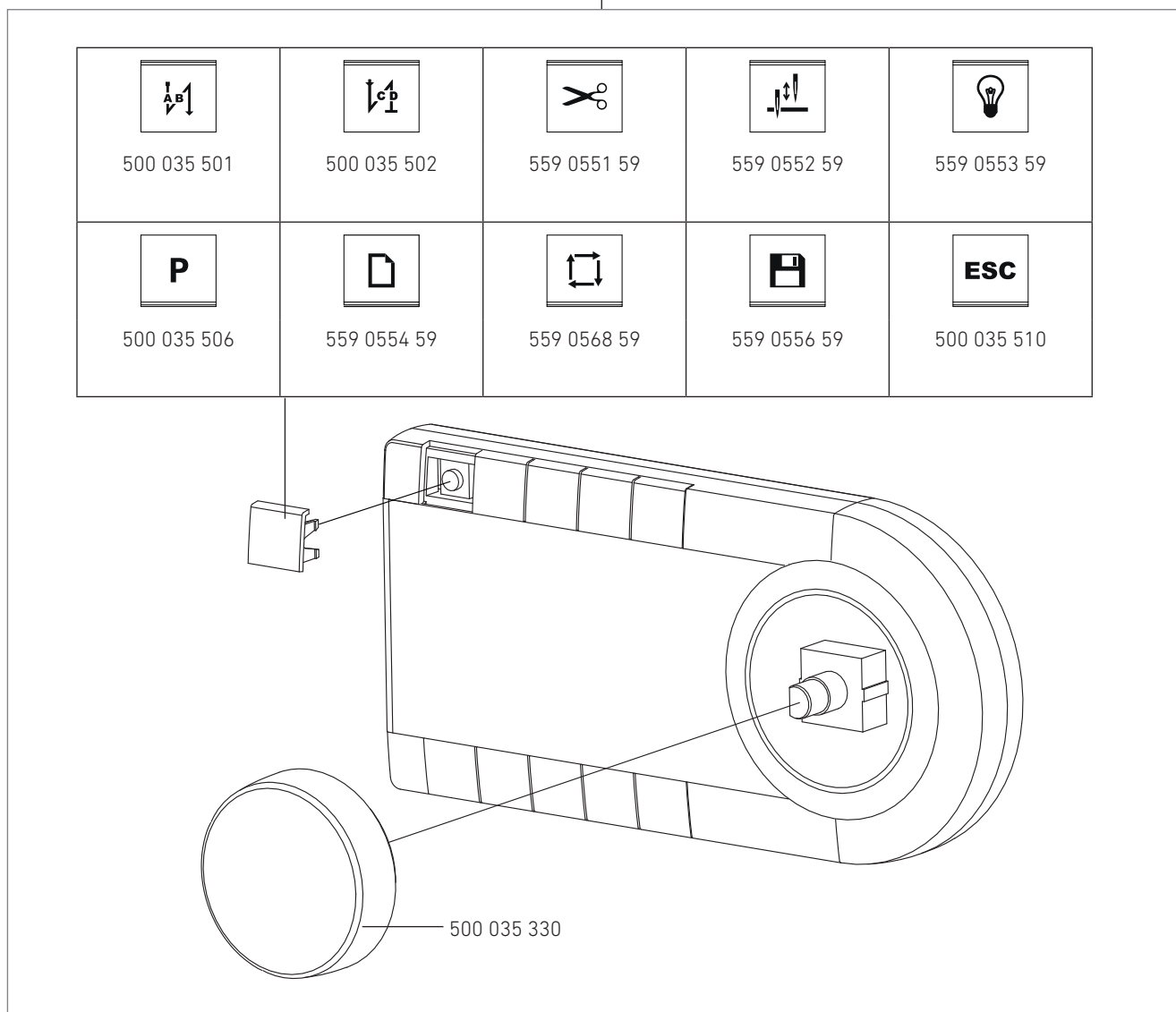
58	01. PANEL
59	02. CONTROL BOX & SETPOINT DEVICE
60	03. BACK COVER CONTROL BOX
61	04. CABLING HEAD PCB
62	05. CABLING

07. ELECTRONIC PARTS SEWING

01. PANEL

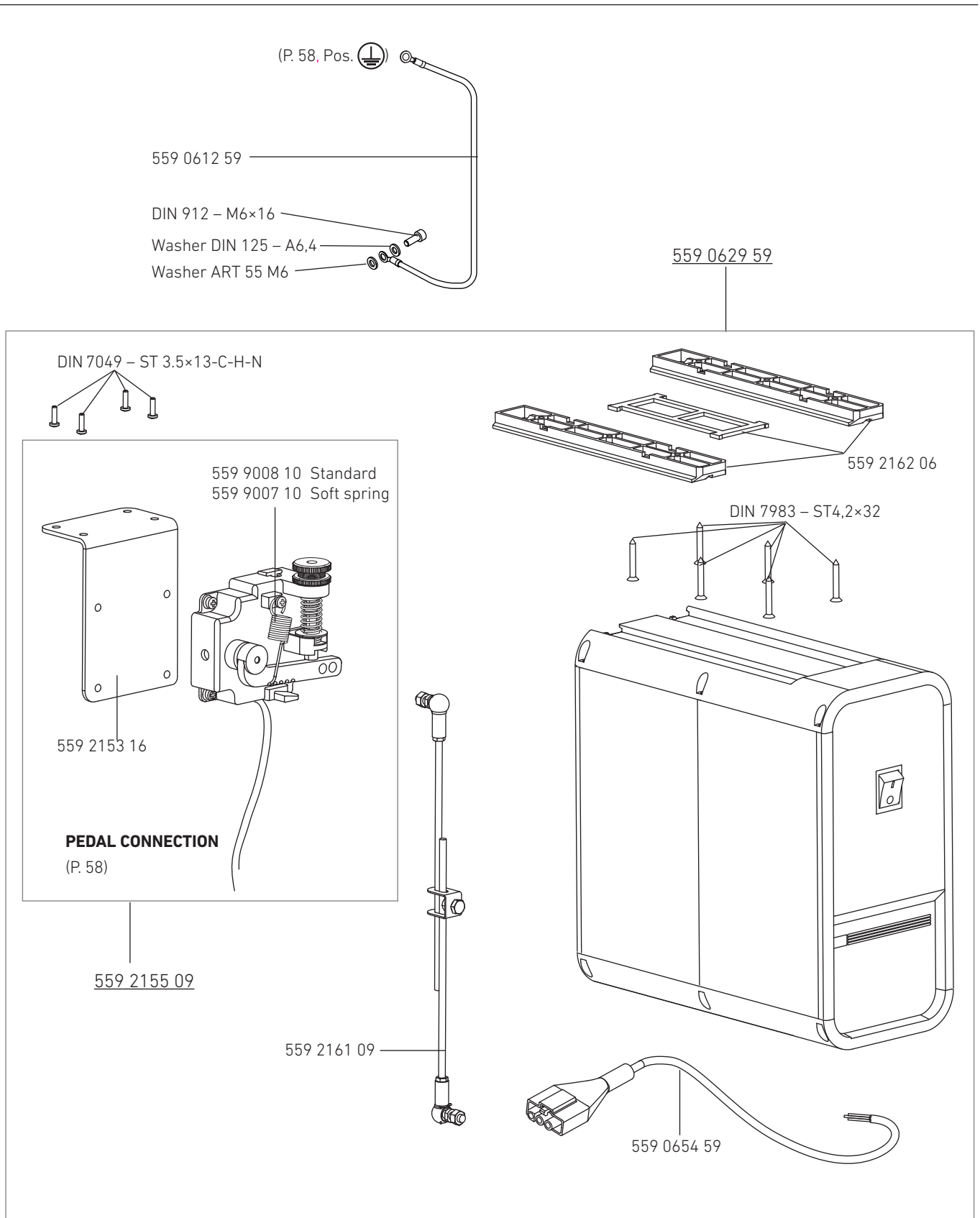


559 0641 59



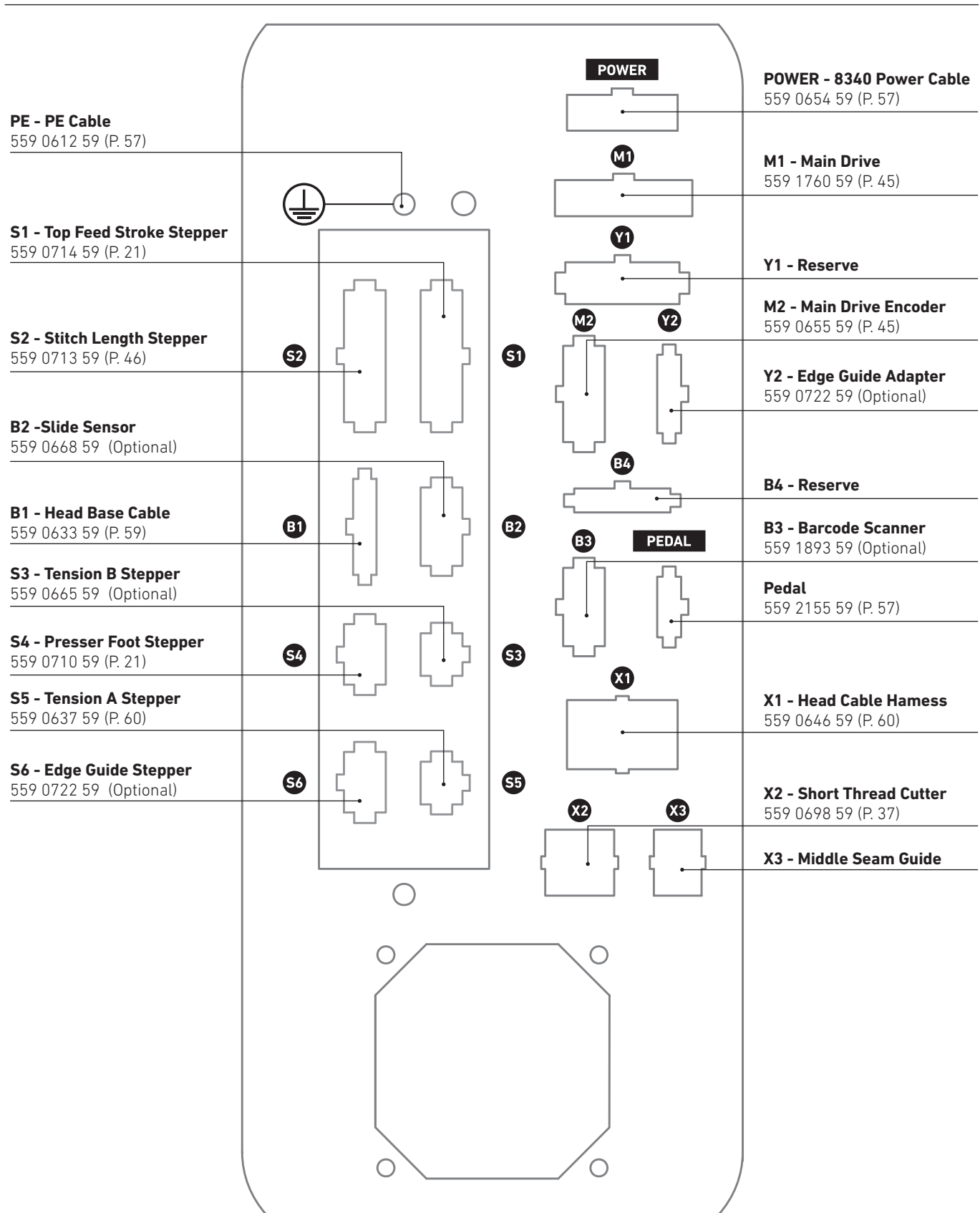
07. ELECTRONIC PARTS SEWING

02. CONTROL BOX & SETPOINT DEVICE



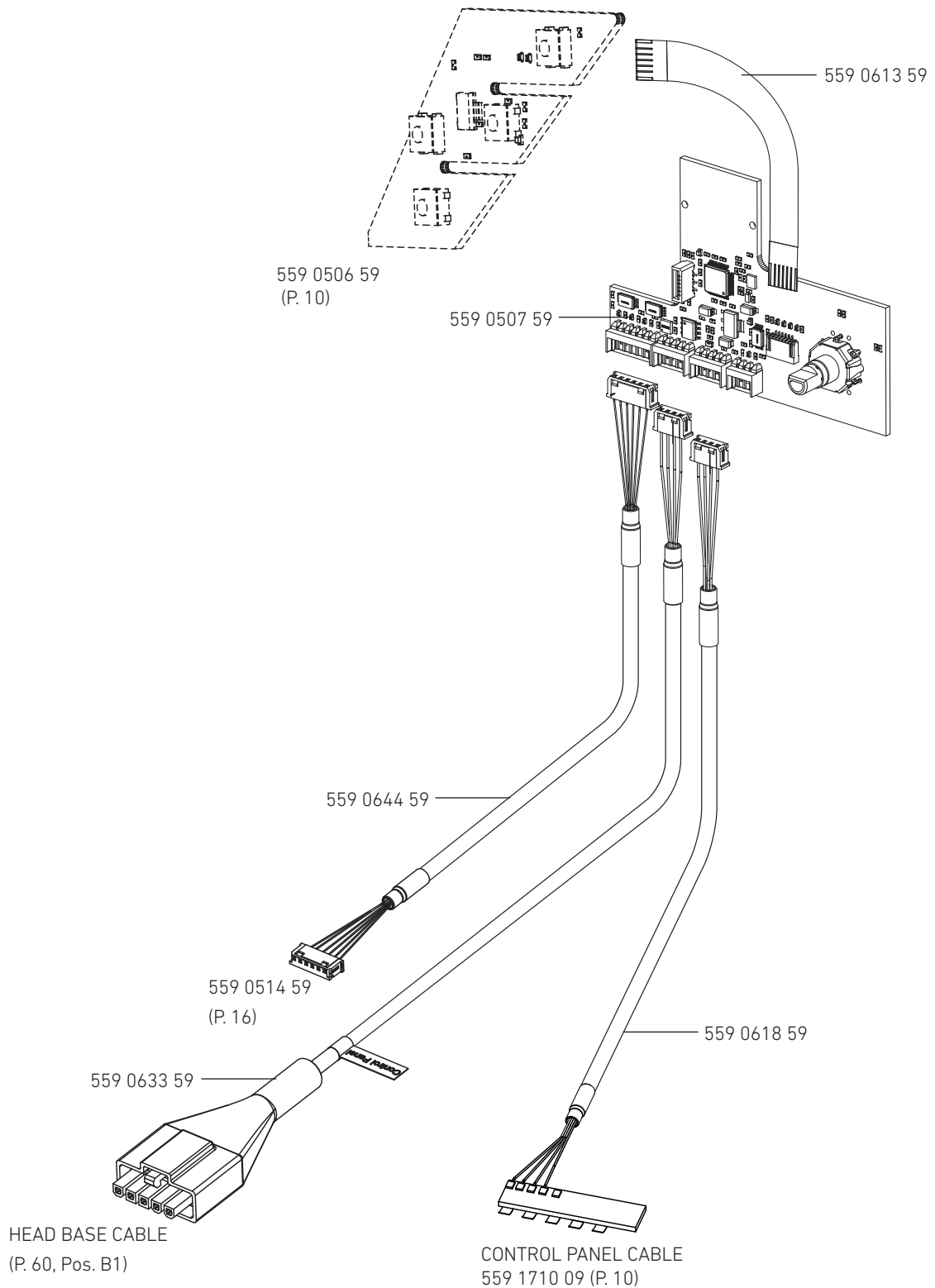
07. ELECTRONIC PARTS SEWING

03. BACK COVER CONTROL BOX



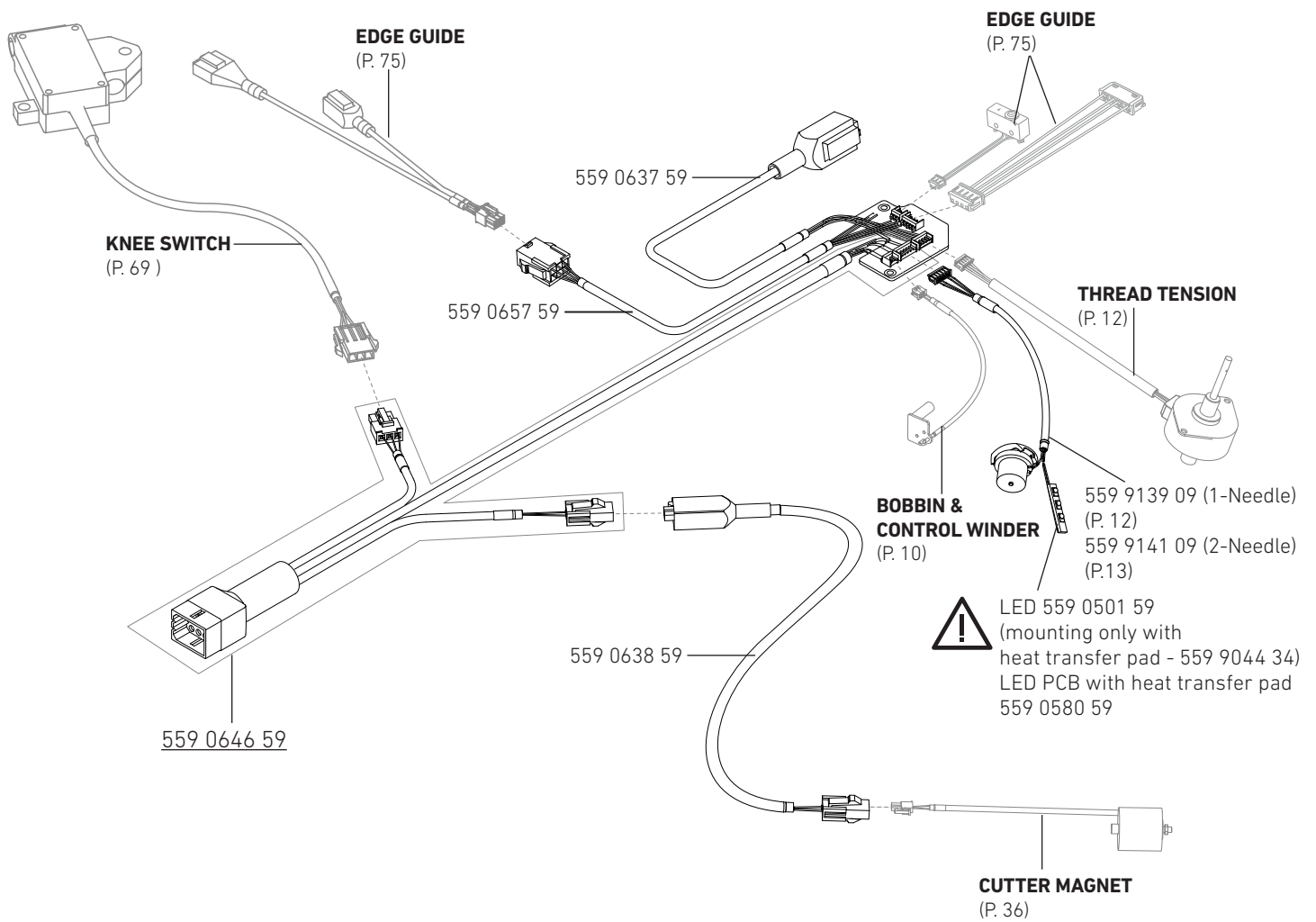
07. ELECTRONIC PARTS SEWING

04. CABLING HEAD PCB



07. ELECTRONIC PARTS SEWING

05. CABLING



08. SEWING ACCESSORIES

STANDARD ACCESSORIES - INCLUDED IN DELIVERY

64	01. ACCESSORIES
65	02. HEAD - FRAME – ACCESSORIES
66	03. THREAD STAND
68	04. ADDITIONAL EQUIPMENT
72	04.04. SAFETY SWITCH KIT - 559 1155 09 FOR STANDARD / 559 3009 09 FOR METAL PLATE ASSY
73	04.05. PULLER - AIR - 558 730 000 - Ø 25mm x 16mm // 558 730 001 - Ø 45mm x 26mm
74	04.05.01. PULLER - AIR - LINEAR GUIDE PULLER ASSY - 559 3045 09
75	04.06. ELECTRIC EDGE GUIDE - 558 710 000
76	04.07. HEIGHT ADJUSTABLE ELECTRIC EDGE GUIDE - 558 711 000
77	04.08. EYE GUARD - 558 740 000
78	04.09. SLIDE CONTROL - 1- & 2-NEEDLE / STANDARD
79	04.09.01. SLIDE CONTROL - 1- & 2-NEEDLE / FOR METAL PLATE ASSY 559 1754 09
80	04.10. BOBBIN THREAD MONITORING-KIT 559 7035 09 - 1-NEEDLE / STANDARD & SHORT CUTTER
81	04.10.01. BOBBIN THREAD MONITORING-KIT 559 7037 09 - 2-NEEDLE / STANDARD
82	04.11. EDGE TRIMMER 559 9500 00 COMPLETE
83	04.11.01. EDGE TRIMMER 559 9500 00
84	04.12. METAL BED PLATE ASSY - 559 1754 09
85	04.13. PULLER BASE PLATE ASSY WITH COUNTERROLLER - 559 7058 09
87	05. SERVICE KIT / ADJUSTMENT GAUGE
88	06. STICKERS
89	07. NEEDLE GAUGE PARTS / 1-NEEDLE
97	08. NEEDLE GAUGE PARTS / 2-NEEDLE

08. SEWING ACCESSORIES

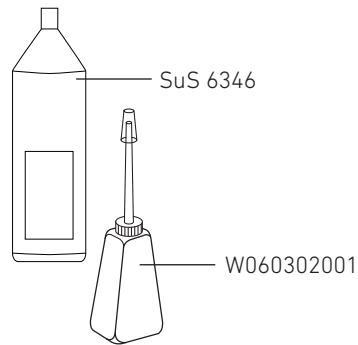
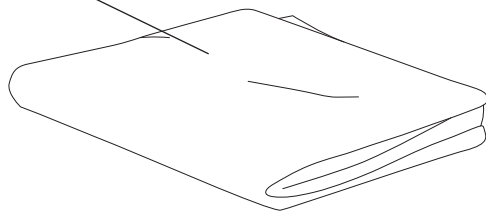
01. ACCESSORIES

Standard

559 0856 30

Longarm

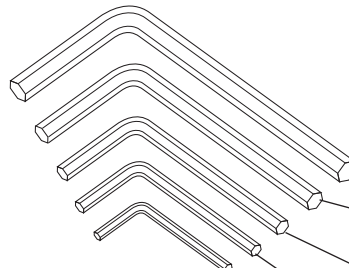
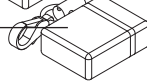
559 0997 30



559 0626 59 (USB
Flash Drive – Admin)



559 0628 59
(USB Flash Drive – Operator)
OPTIONAL



S151004005
(Hexagonal wrench s=5)

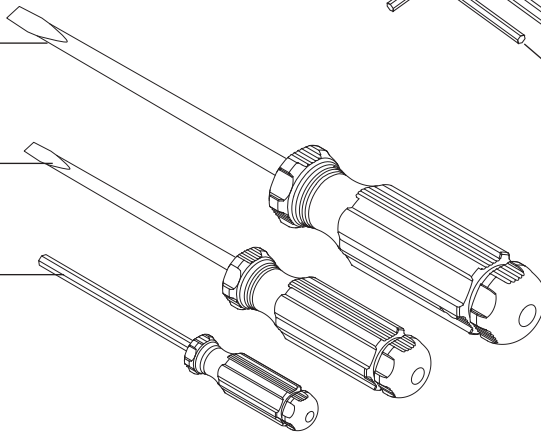
S151004004
(Hexagonal wrench s=4)

S151004003
(Hexagonal wrench s=3)

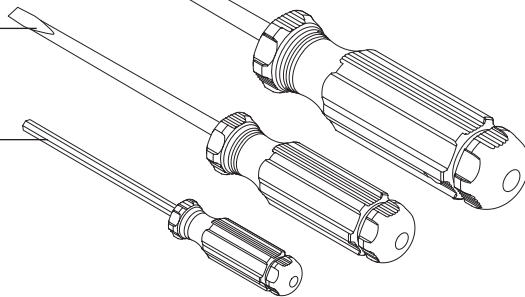
S151004012
(Hexagonal wrench s=2,5)

S151004010
(Hexagonal wrench s=1,5)

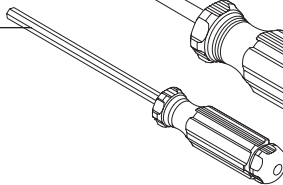
W060401017
(Screw Driver L)



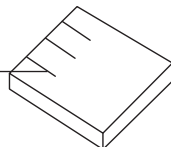
W060401023
(Screw Driver S)



209F01006



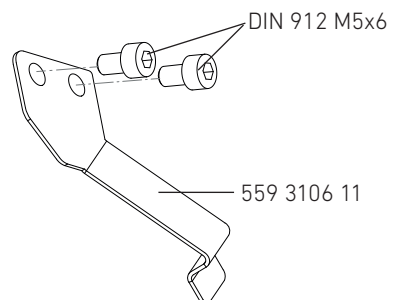
134-35 Needle
Size 120



559 2679 10 (ø26 mm)
559 0827 30 (ø32 mm)



559 0922 11

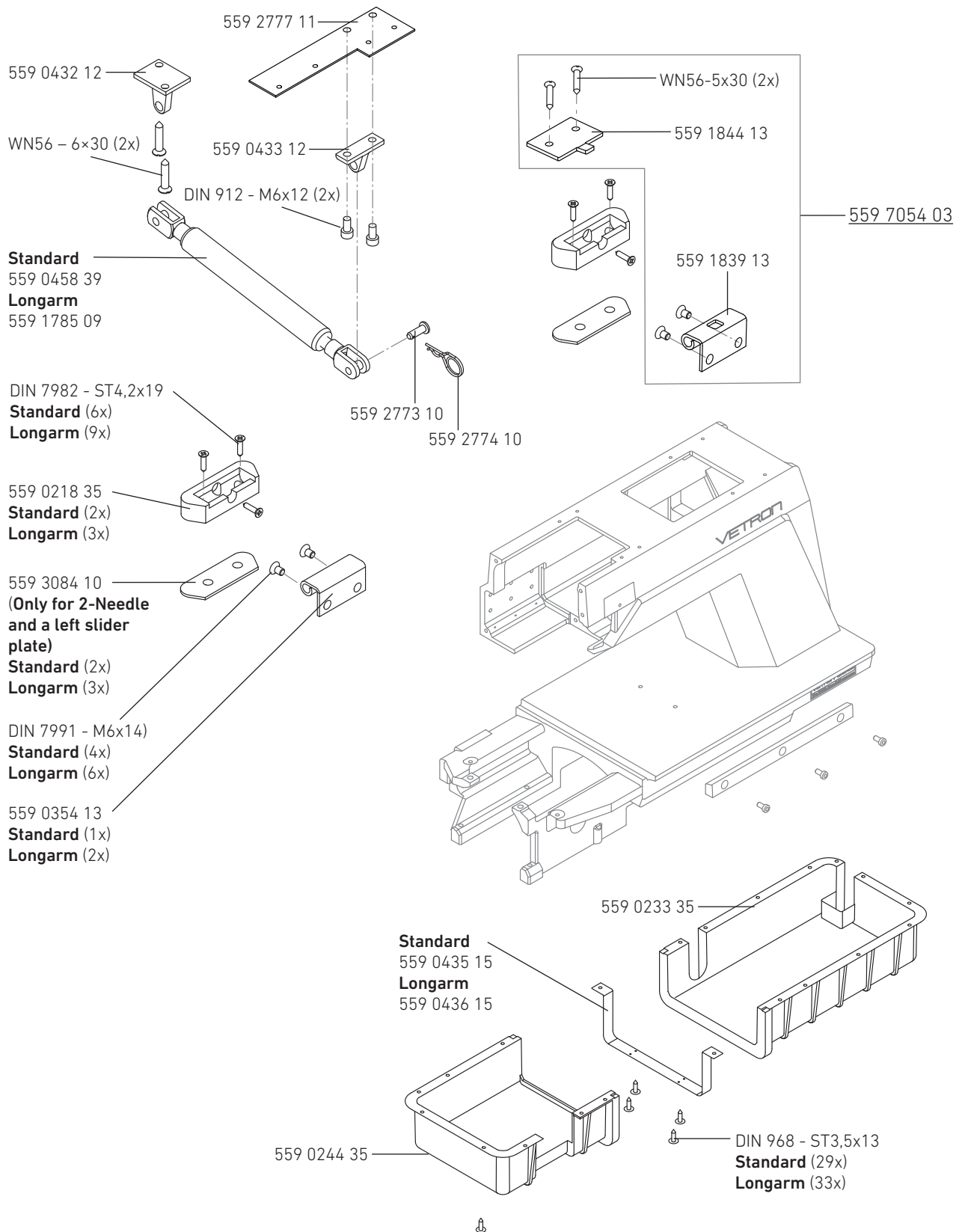


DIN 912 M5x6

559 3106 11

08. SEWING ACCESSORIES

02. HEAD - FRAME - ACCESSORIES



08. SEWING ACCESSORIES

03. THREAD STAND

-1-2

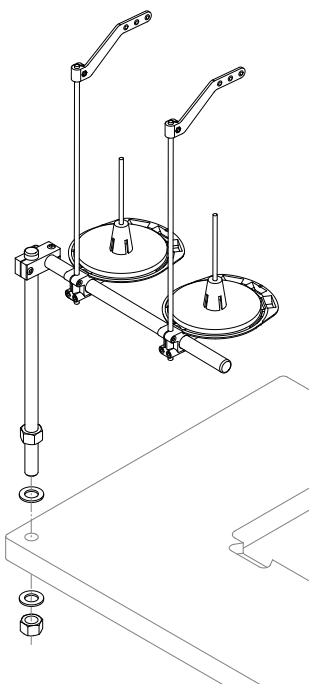
NOTE!

To order individual parts, see next page.



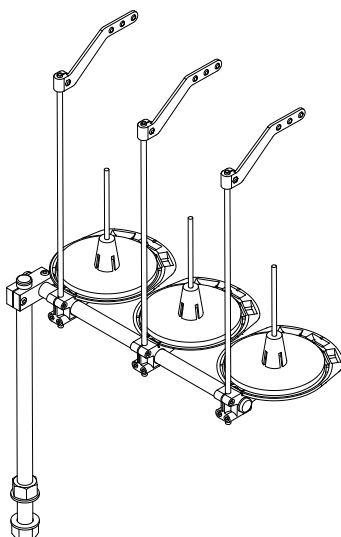
559 3640 09

Thread Stand / 1-Needle



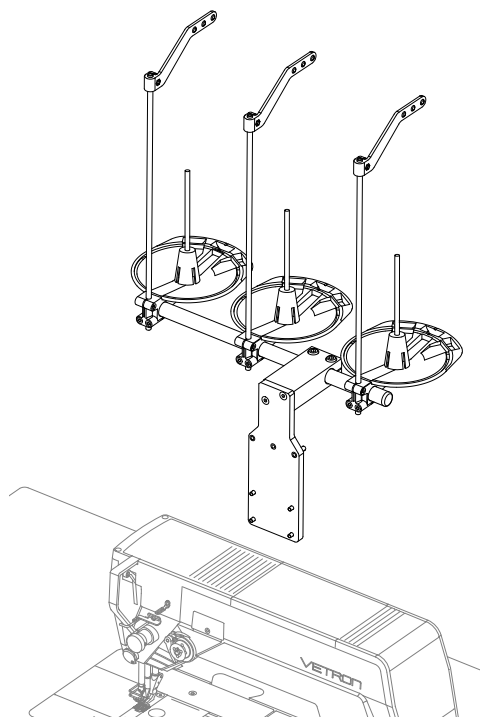
559 3641 09

Thread Stand / 2-Needle



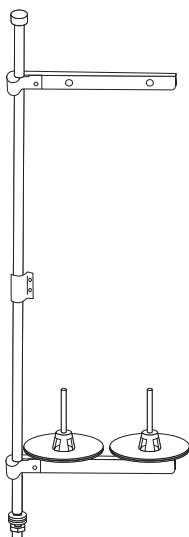
559 3642 09

Thread Stand / Mounting-Kit-Vetron



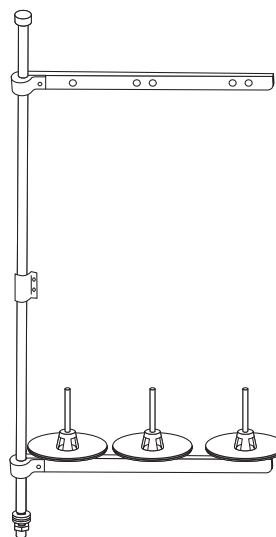
006F00030

Thread Stand / 2-Spools



1F-014

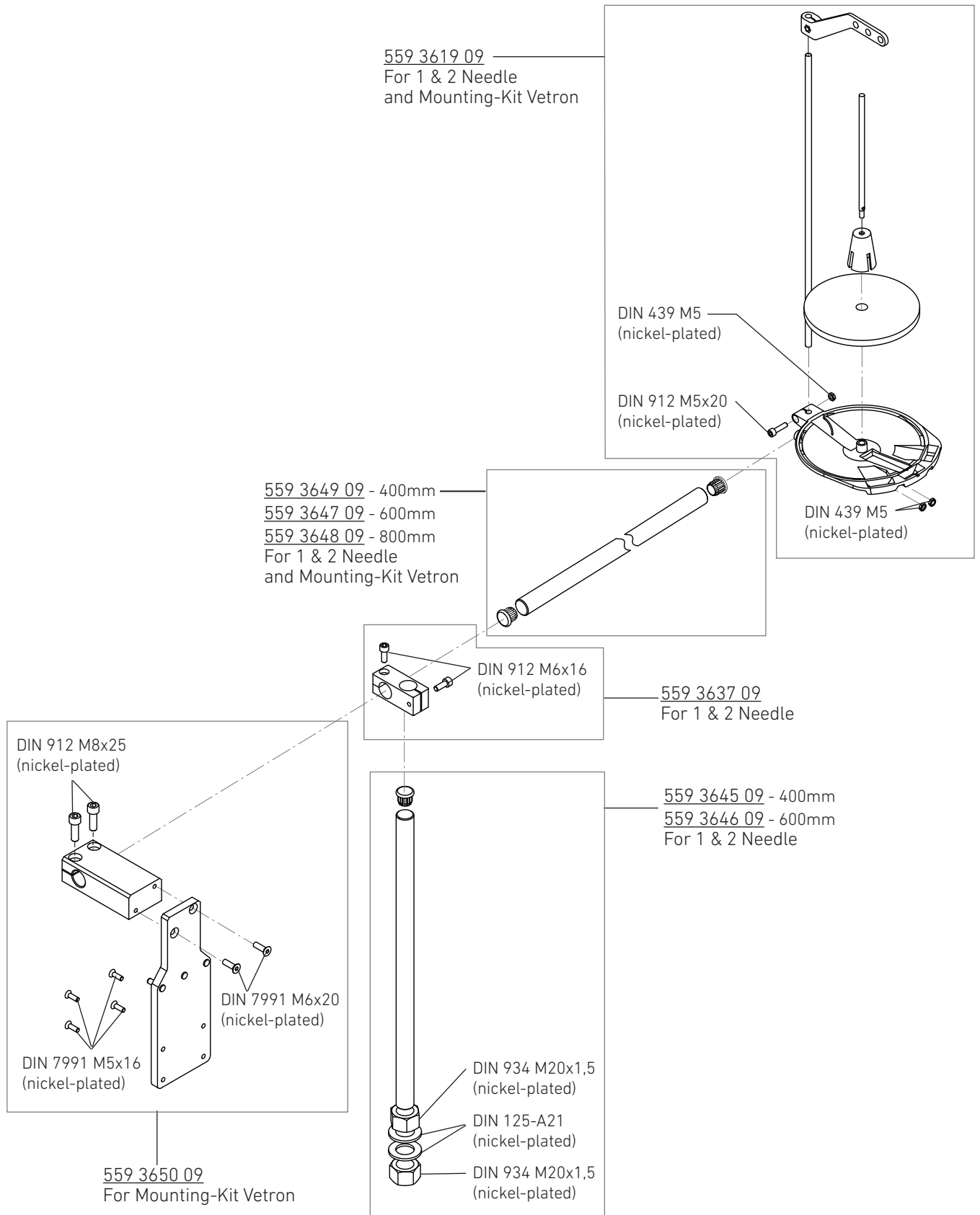
Thread Stand / 3-Spools



08. SEWING ACCESSORIES

03. THREAD STAND

-2-2

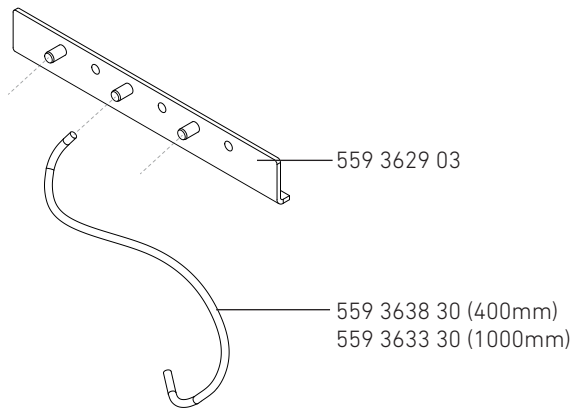


08. SEWING ACCESSORIES

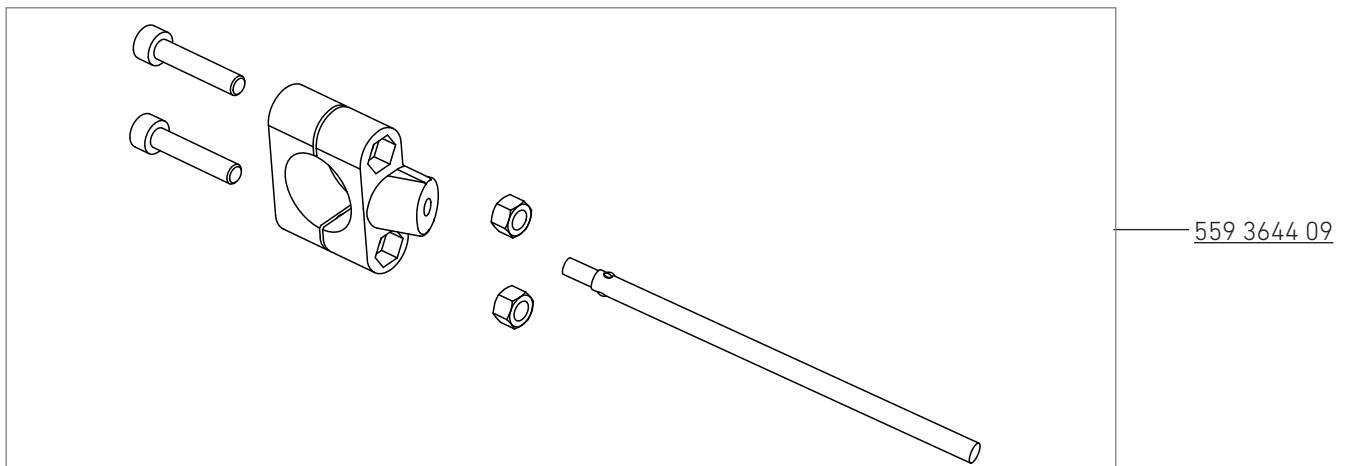
04. ADDITIONAL EQUIPMENT

DESCRIPTION

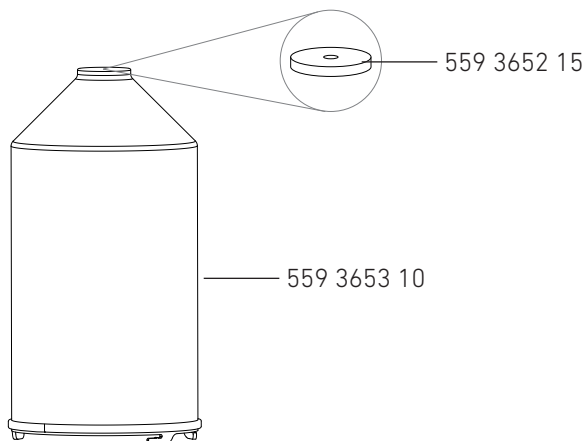
THREAD GUIDE WITH TUBE



SPINDLE SHAFT CLAMP (THREAD STAND)

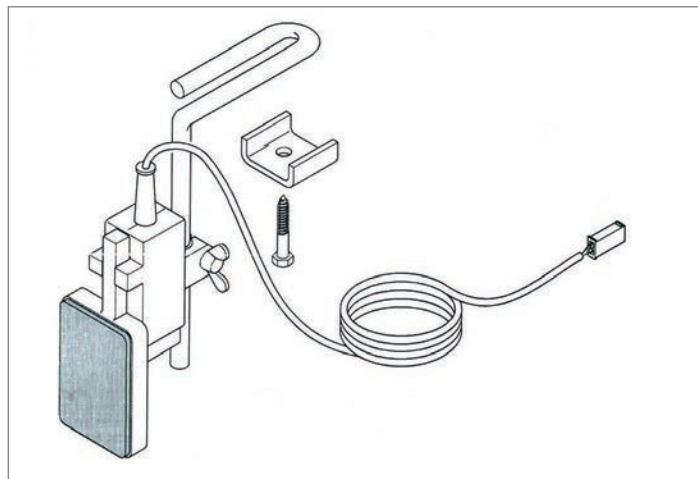


COVER FOR THREAD-COPS (THREAD STAND)



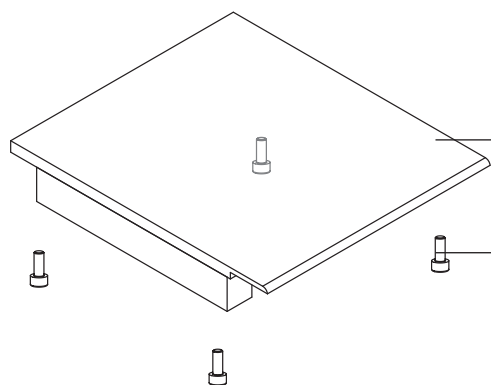
DESCRIPTION

KNEE SWITCH WITH CABLE



559 0699 59

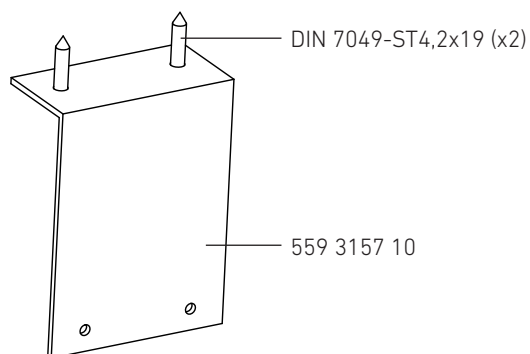
LEFT METAL COVER



559 0985 13

DIN 912 M4x10 (4x)

ANGLE FOR VALVE ASSY. - BOBBIN THREAD MONITORING // MOUNTING ON TABLE PLATE



DIN 7049-ST4,2x19 (x2)

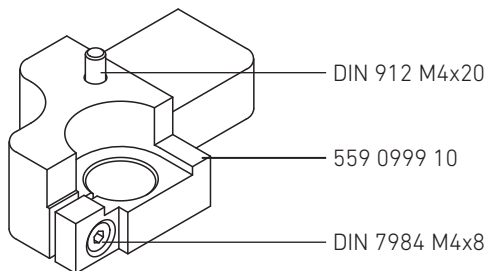
559 3157 10

08. SEWING ACCESSORIES

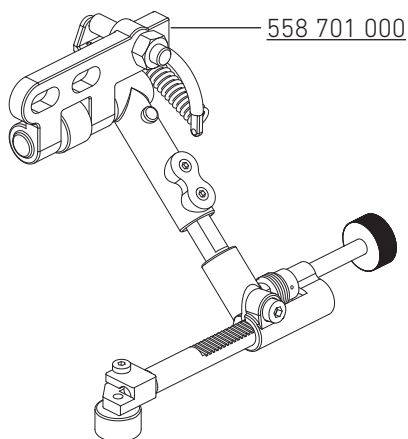
04.02. ADDITIONAL EQUIPMENT

DESCRIPTION

ADAPTER FOR ADDITIONAL EQUIPMENT



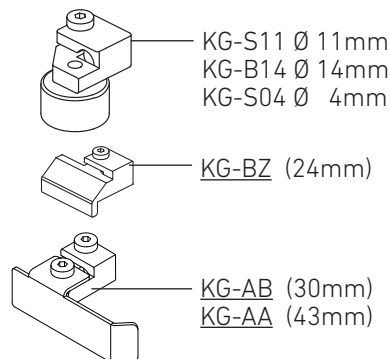
ROLLER & STRAIGHT GUIDE WITH FINE ADJUSTMENT



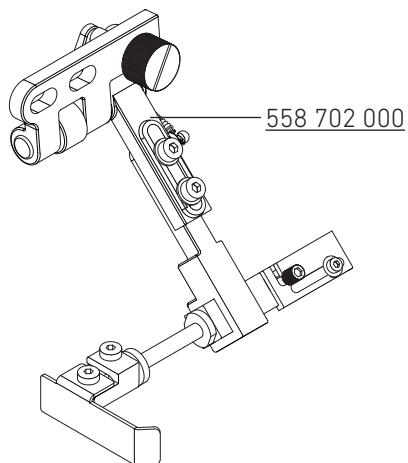
Combined hinged roller & straight guide,
can be raised.
Distance adjustment:

1–30 mm

Optional:



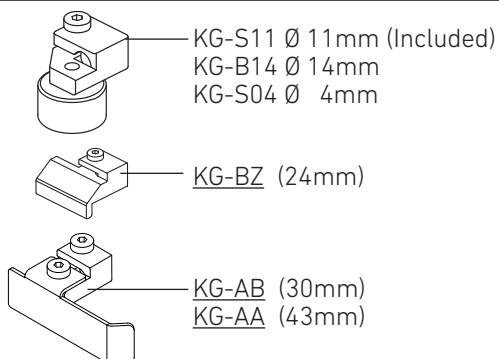
STRAIGHT GUIDE WITH QUICK ADJUSTMENT OF TWO DISTANCES



Straight edge guide right, swing up.
Two stitch width pre-adjusted, with quick change.
Distance adjustment:

1–30 mm

Optional:



08. SEWING ACCESSORIES

04.03. ADDITIONAL EQUIPMENT

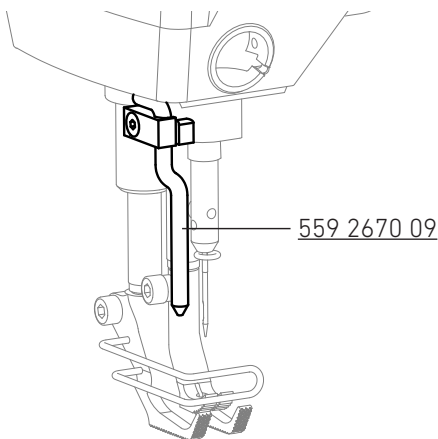
DESCRIPTION

BARCODE SCANNER



559 1893 09

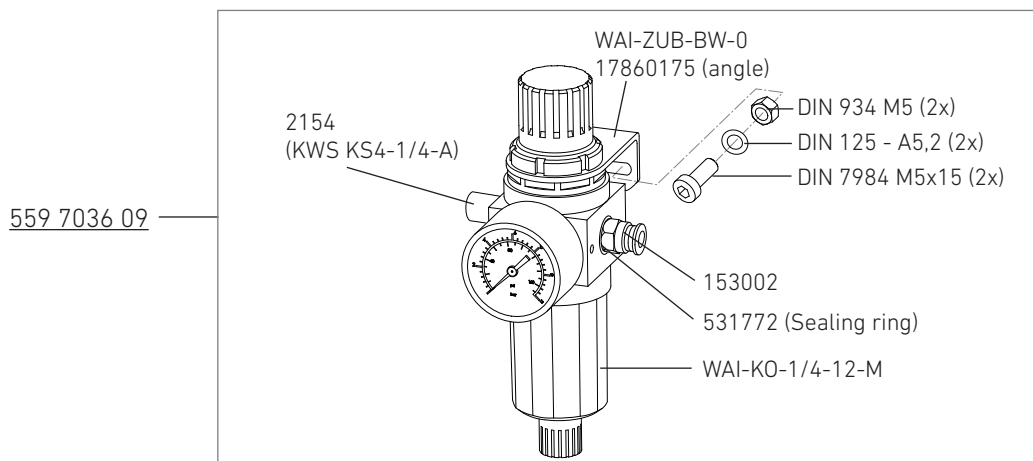
NEEDLE COOLING



Needle Cooling Set 559 2670 09:

- | | |
|---|---|
| <ul style="list-style-type: none"> » Valve assy
559 0763 59 » Maintenance unit
17860121 » Tube 3x5
559 3107 34 » Tube PUN-6x4-SW
14012625 » Interconnect reduced
100 100 25 » Receptacle QSM-6-4
03070109 | <ul style="list-style-type: none"> » Throttle check valve L-DRV-B6-KU
21110102 » Screw
DIN 7981-4,2x32 (2x) <p>For Rack Mounting:</p> <ul style="list-style-type: none"> » Screw
DIN 912 M3x20 (2x) » Holder
559 2712 10 » Pipe
559 2713 10 » Screw
DIN 7984 M3x6 (zinc plated) |
|---|---|

PNEUMATIC UNIT

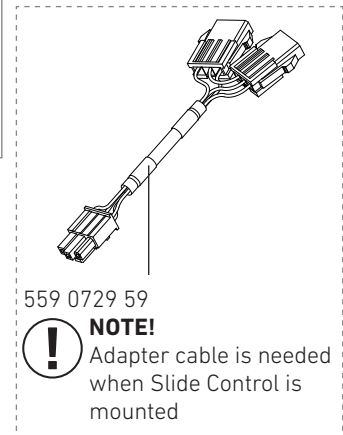
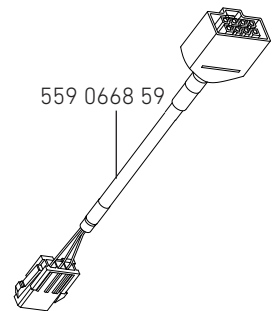
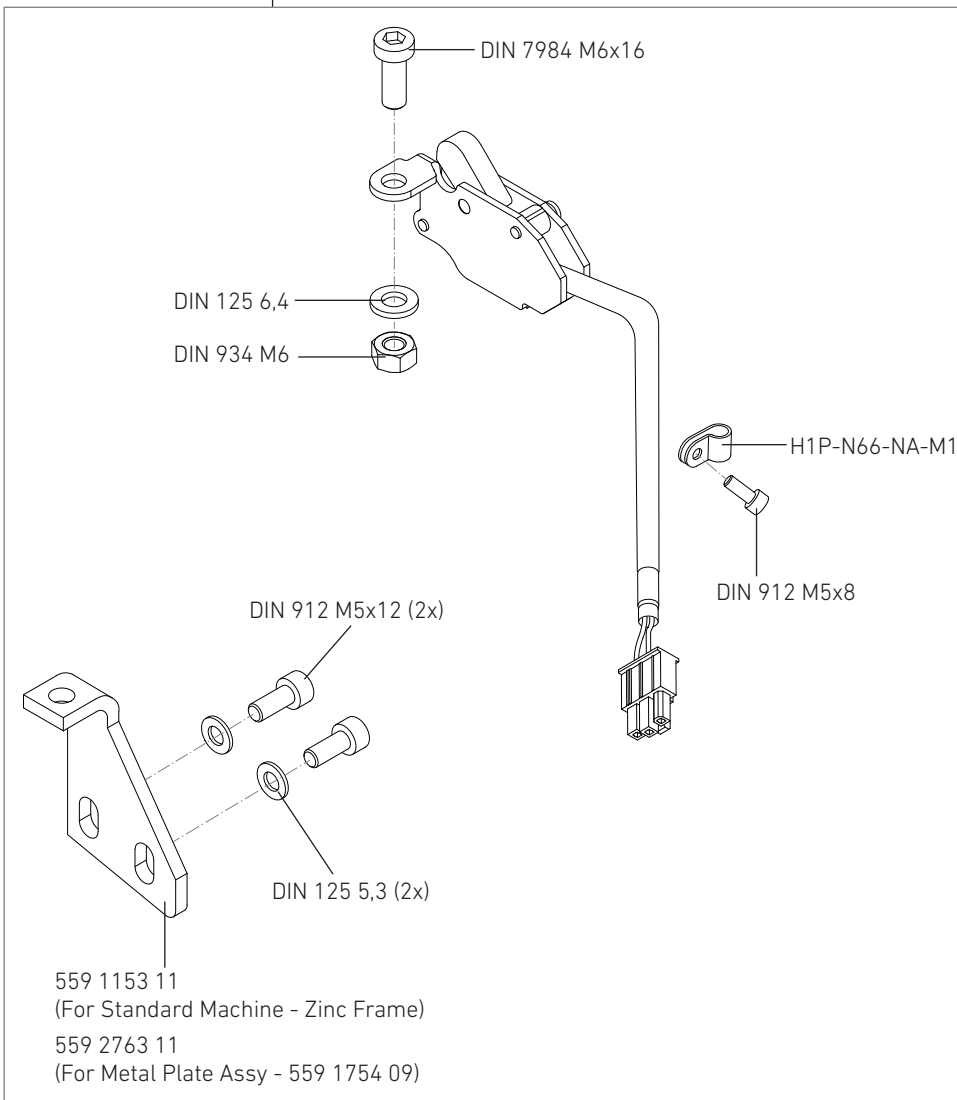


08. SEWING ACCESSORIES

04.04. SAFETY SWITCH KIT - 559 1155 09 FOR STANDARD / 559 3009 09 FOR METAL PLATE ASSY

559 1155 09
(For Standard Machine-Zinc Frame)

559 3009 09
(For Metal Plate Assy-559 1754 09)

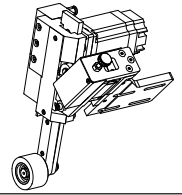


08. SEWING ACCESSORIES

04.05. PULLER - AIR - 558 730 000 - Ø 25mm x 16mm

558 730 001 - Ø 45mm x 26mm

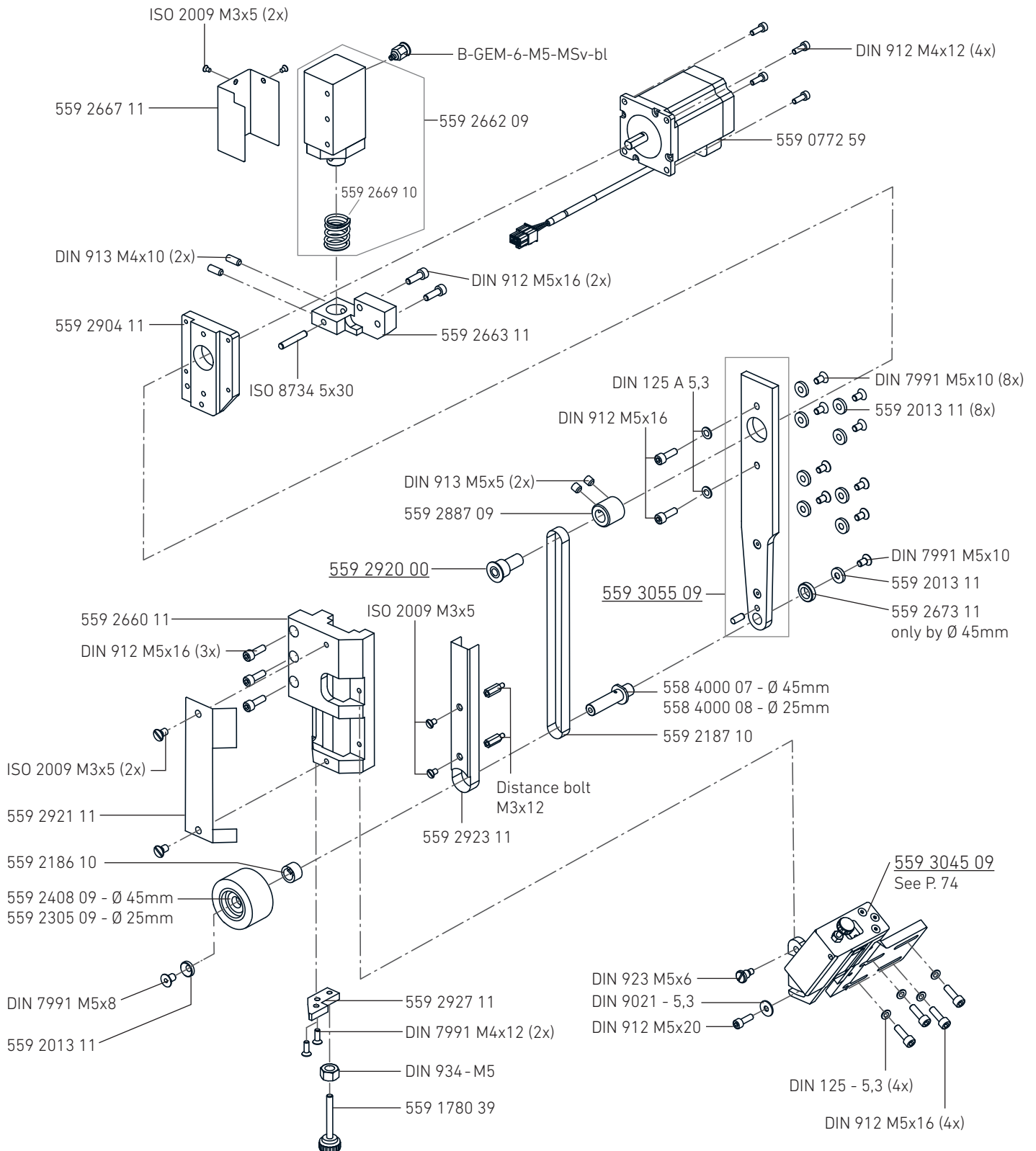
-1-2



NOTE!

Maintenance unit is needed.

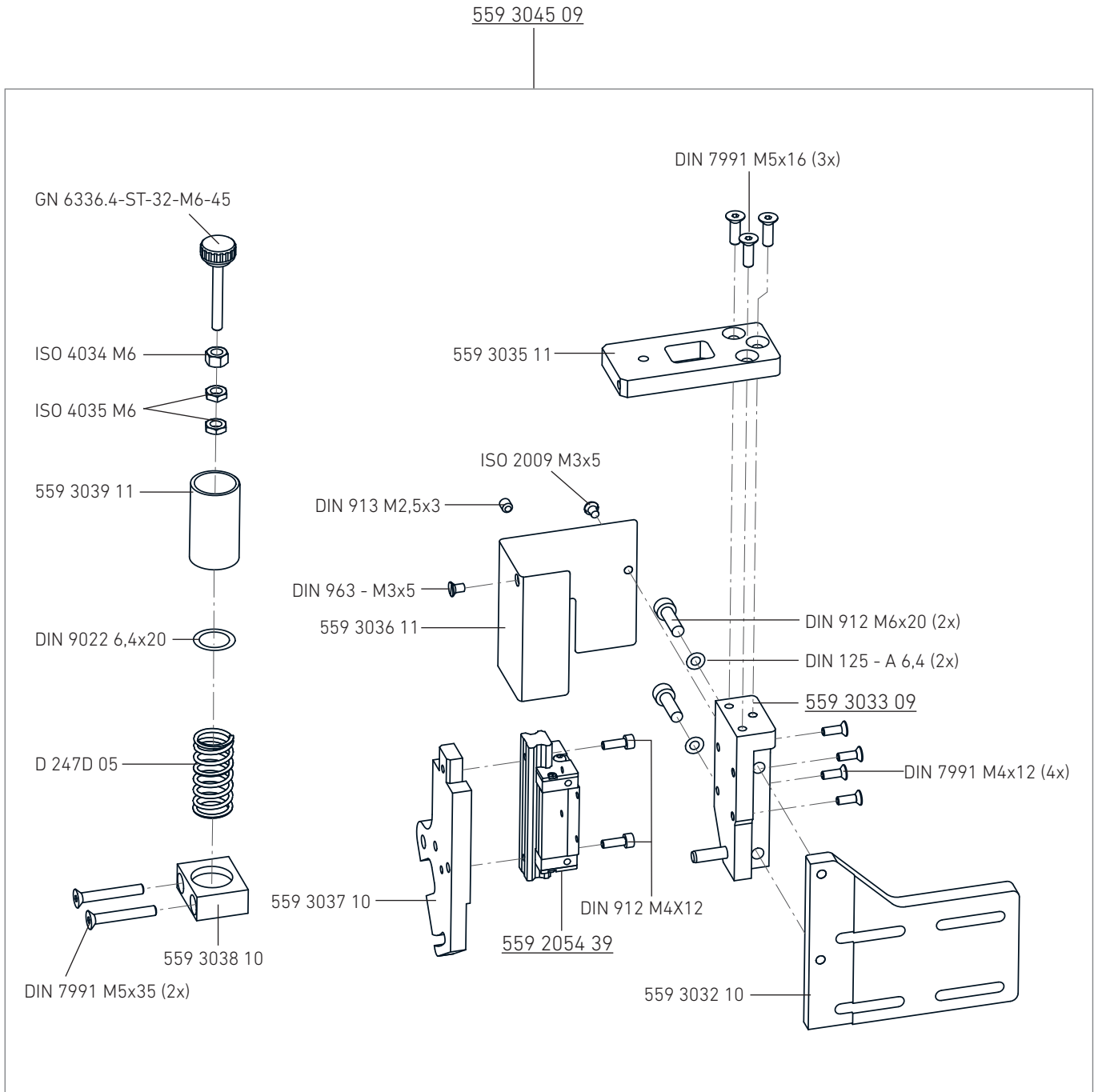
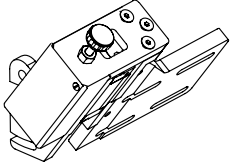
For Spare Parts see **08.04.03.**



08. SEWING ACCESSORIES

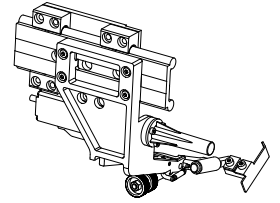
04.05.01. PULLER - AIR - LINEAR GUIDE PULLER ASSY - 559 3045 09

-2-2

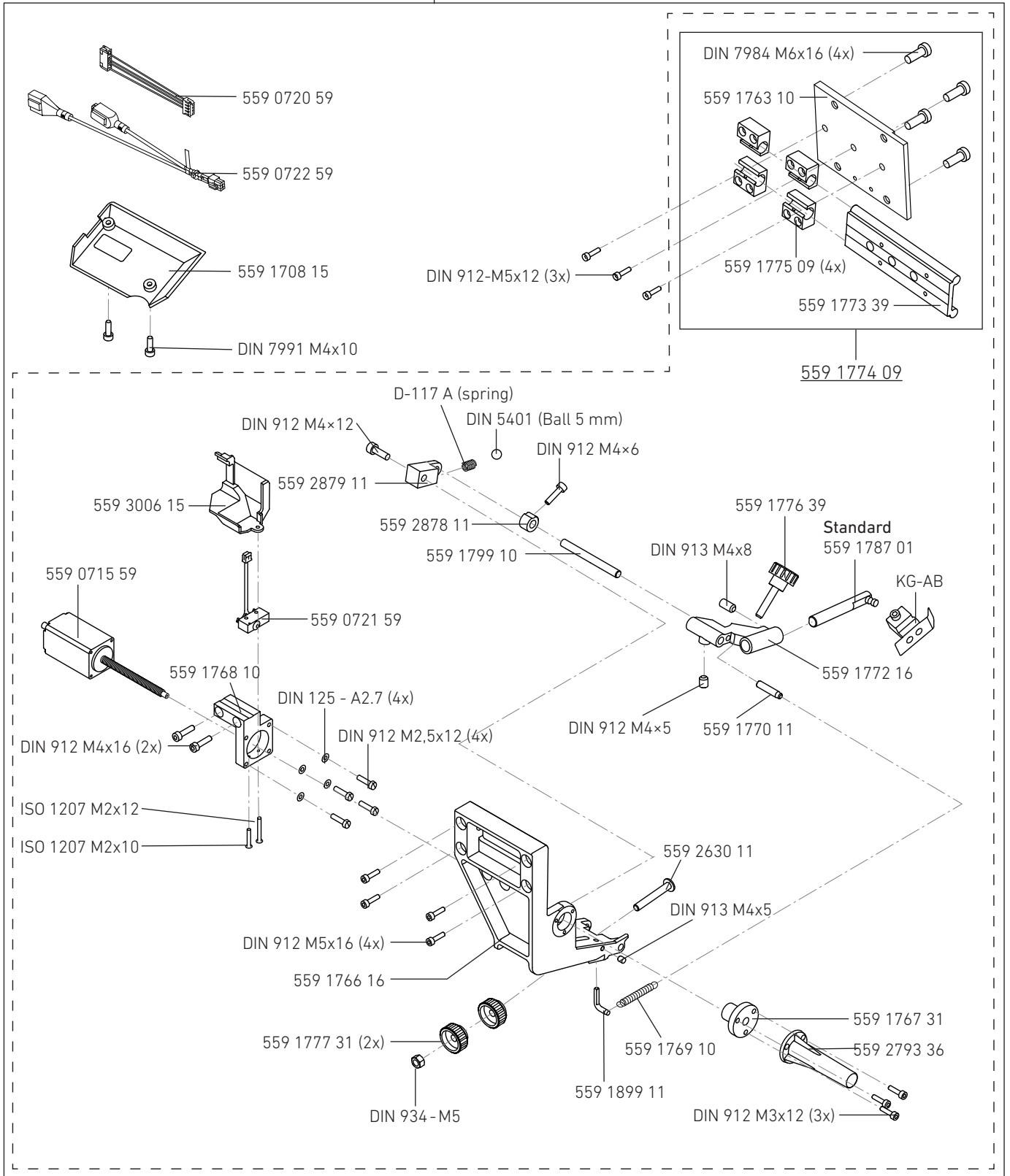


08. SEWING ACCESSORIES

04.06. ELECTRIC EDGE GUIDE - 558 710 000

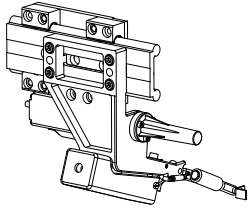


558 710 000

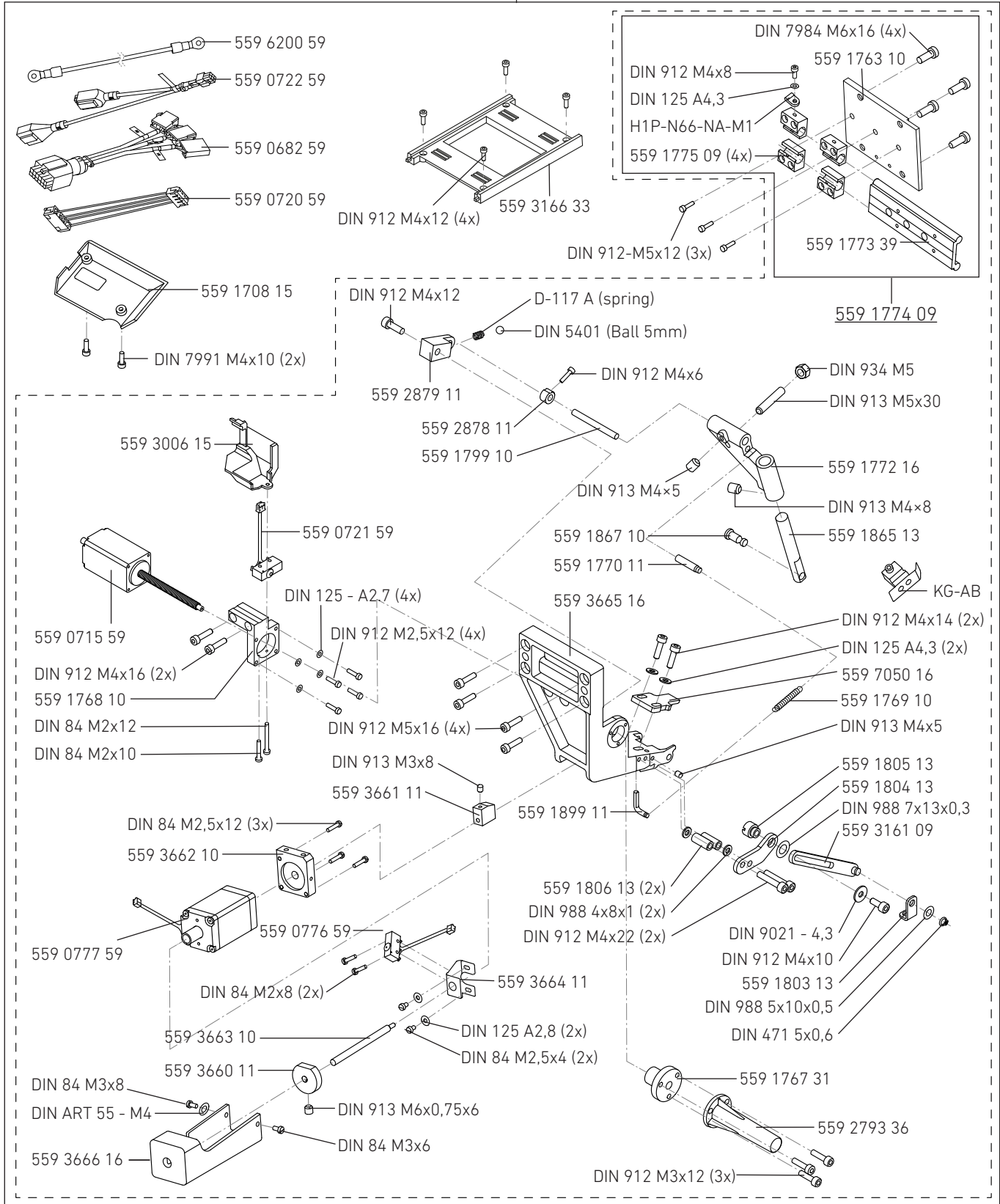


08. SEWING ACCESSORIES

04.07. HEIGHT ADJUSTABLE ELECTRIC EDGE GUIDE - 558 711 000



558 711 000



08. SEWING ACCESSORIES

04.08. EYE GUARD - 558 740 000

EYE GUARD

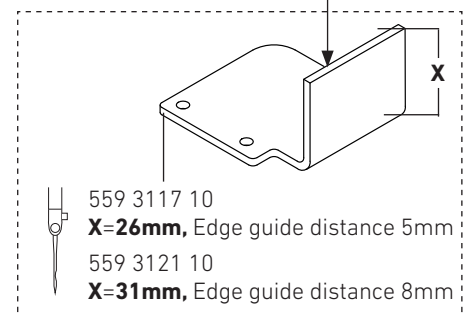
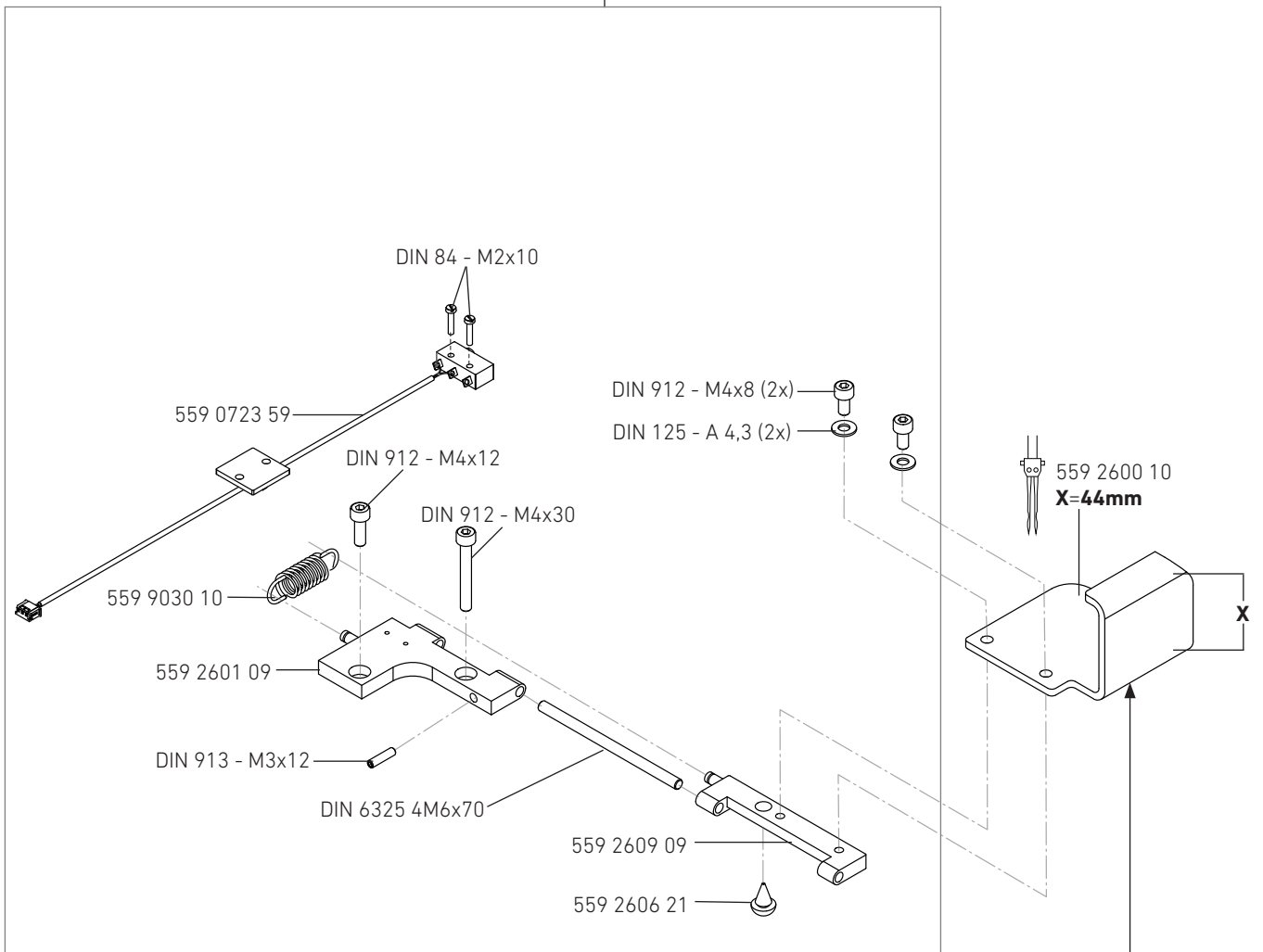
558 740 000 (44mm)

558 740 000 (31mm)

558 740 000 (26mm)

(The number in the brackets refers to the size of the eye protection glas)

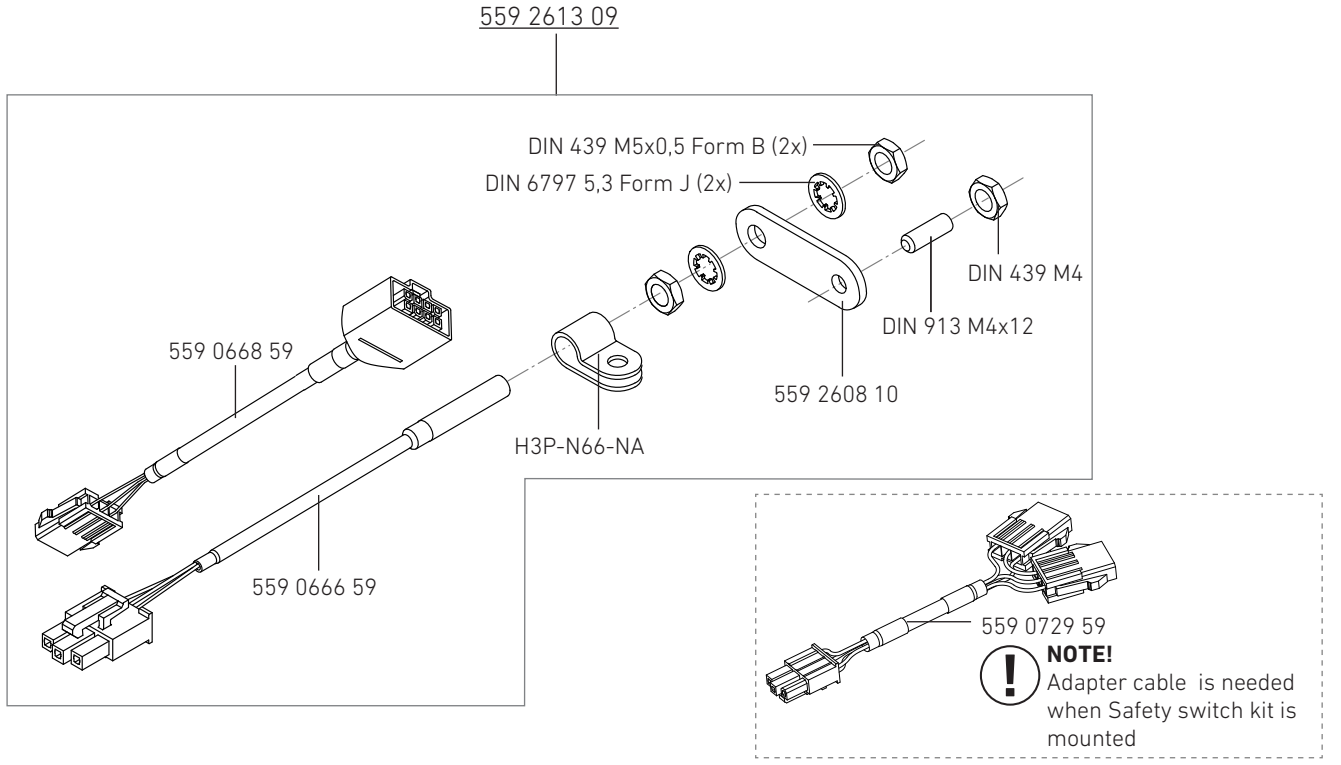
558 740 000



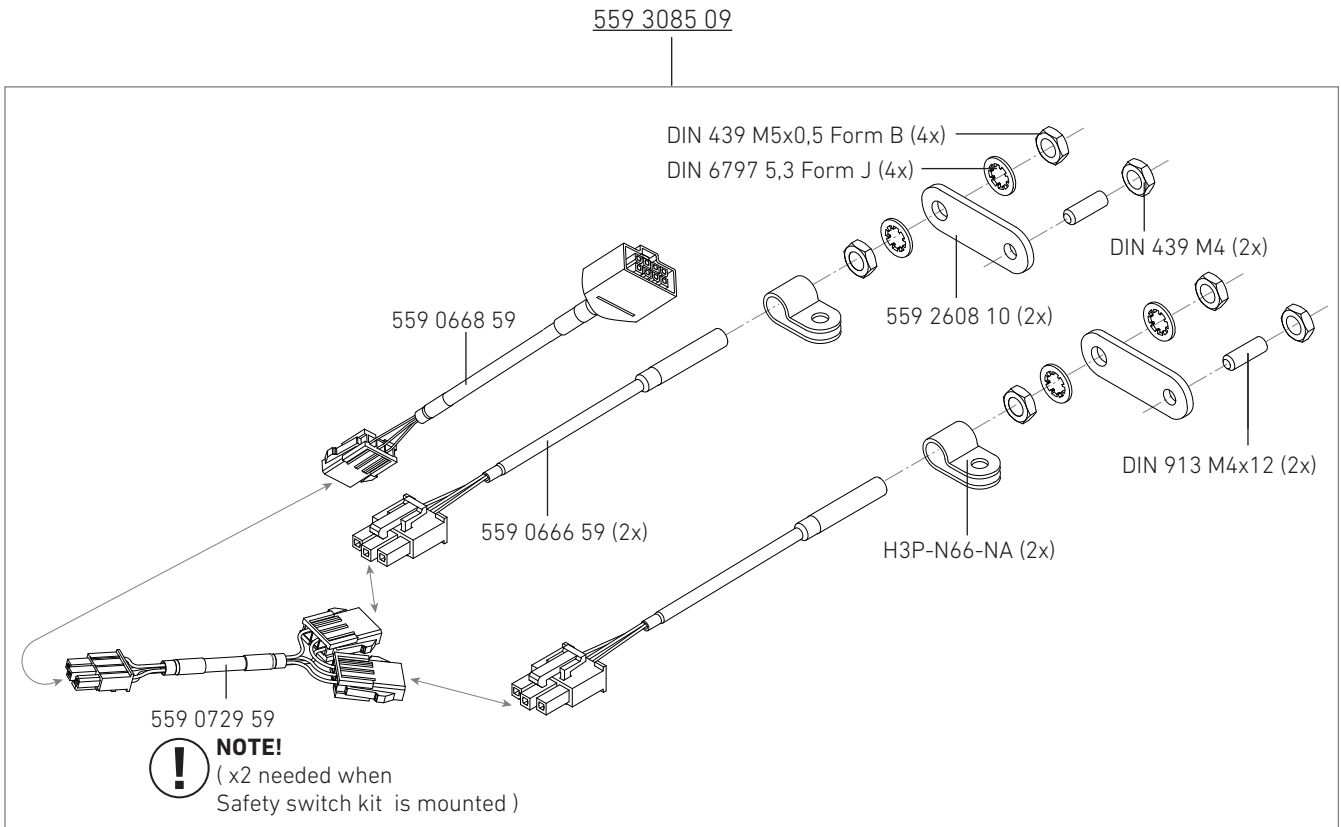
08. SEWING ACCESSORIES

04.09. SLIDE CONTROL - 1- & 2-NEEDLE / STANDARD

1-Needle



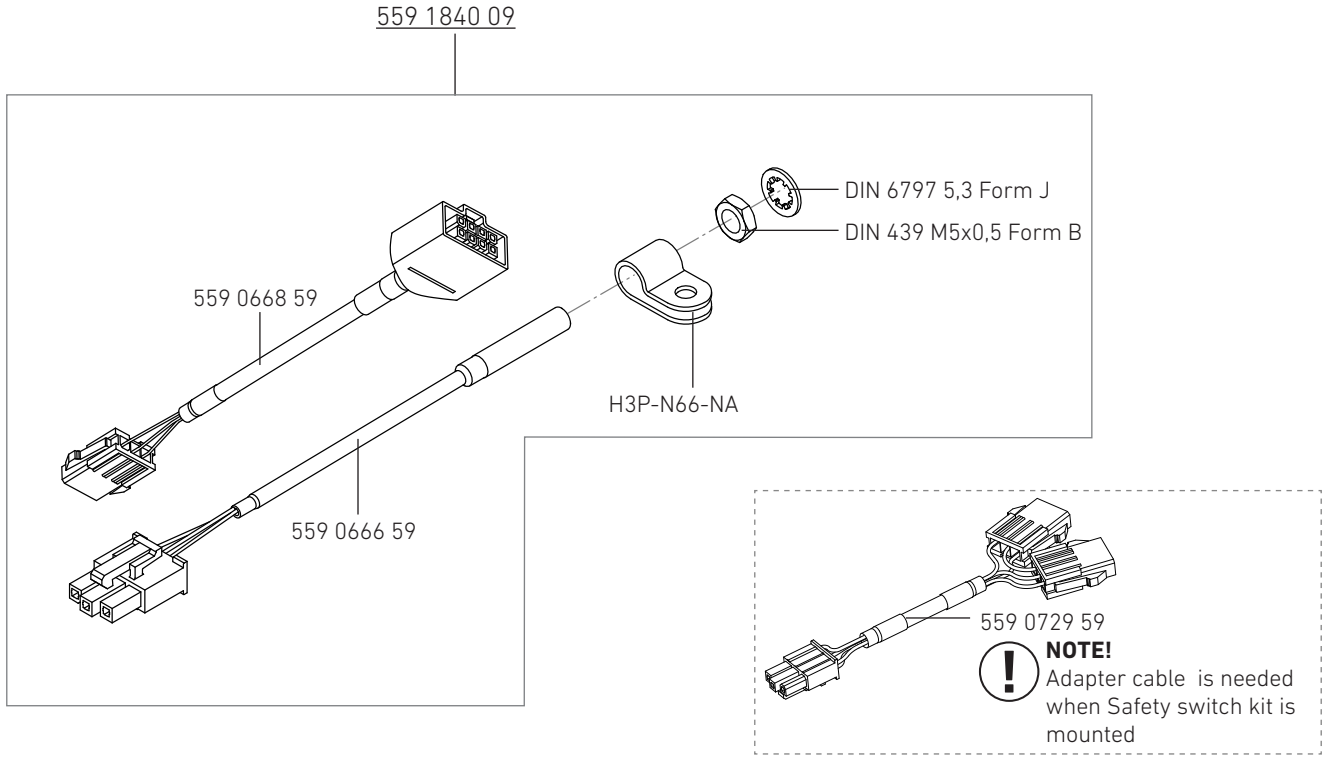
2-Needle



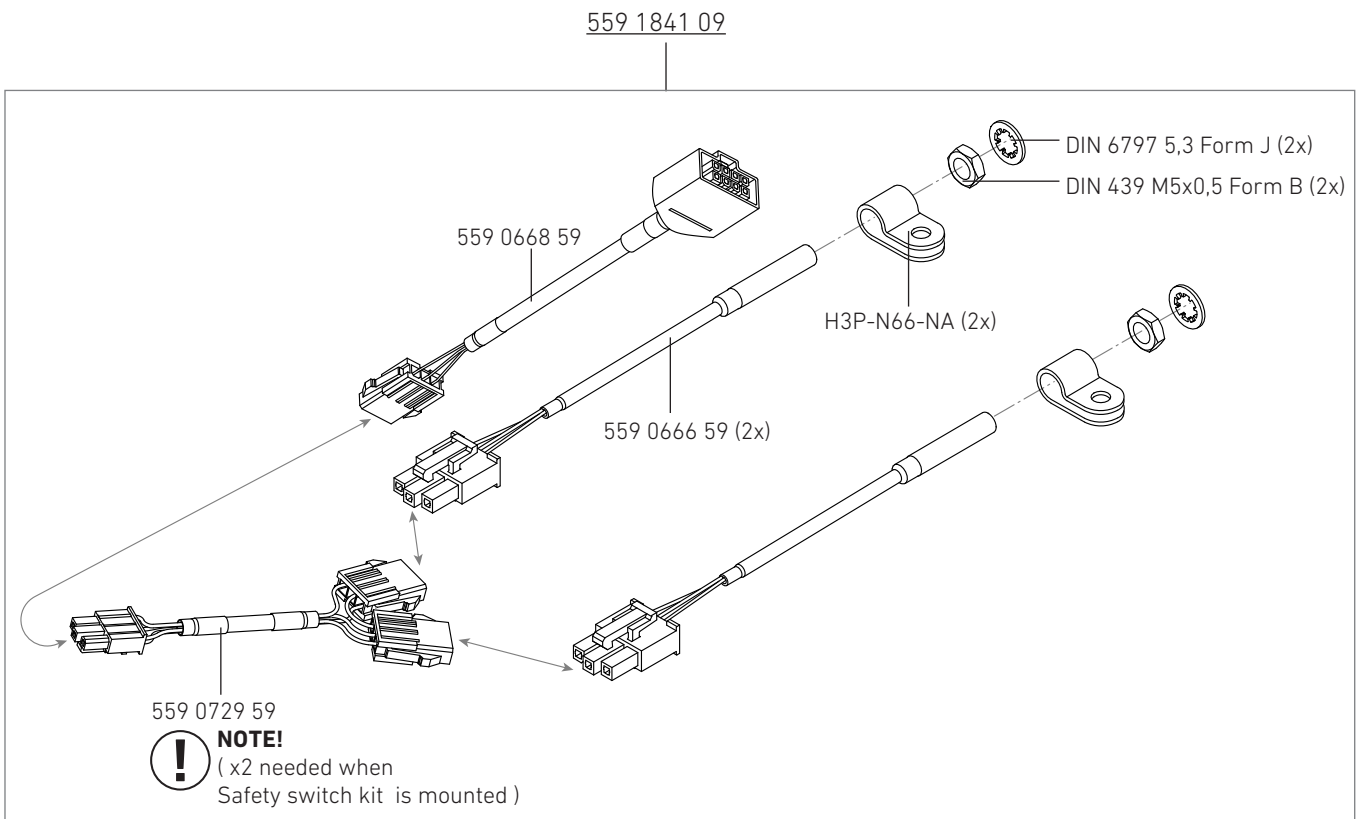
08. SEWING ACCESSORIES

04.09.01. SLIDE CONTROL - 1- & 2-NEEDLE / FOR METAL PLATE ASSY 559 1754 09

1-Needle



2-Needle

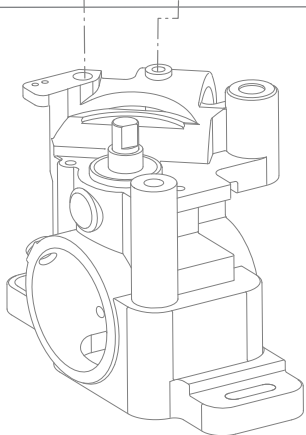
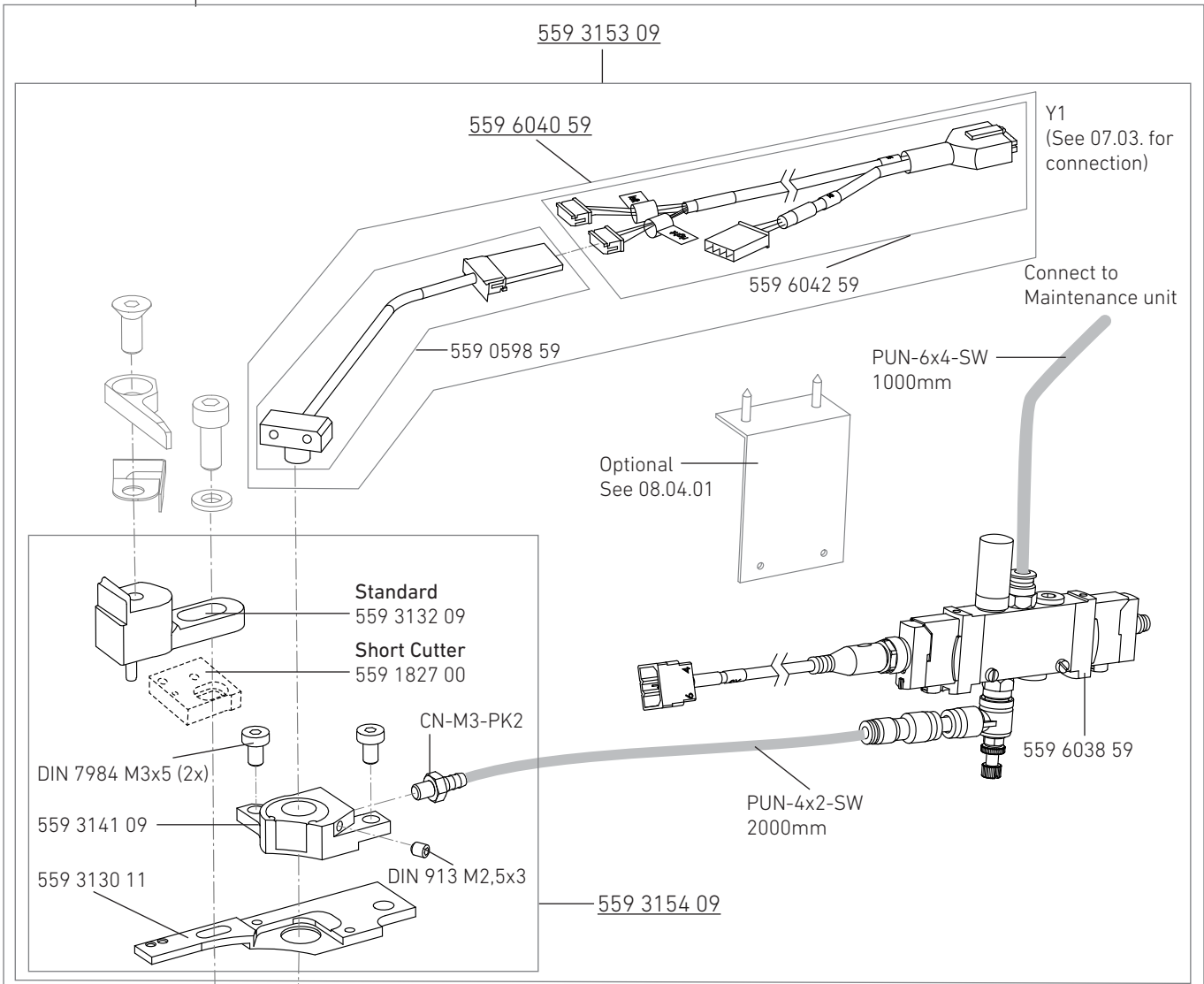


08. SEWING ACCESSORIES

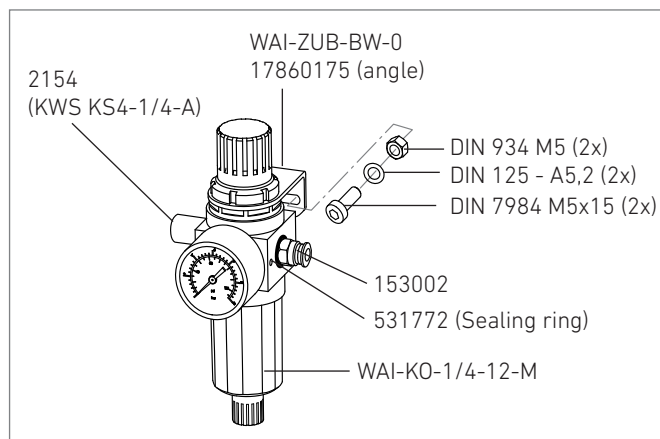
04.10. BOBBIN THREAD MONITORING-KIT 559 7035 09 - 1-NEEDLE / STANDARD & SHORT CUTTER



559 7035 09



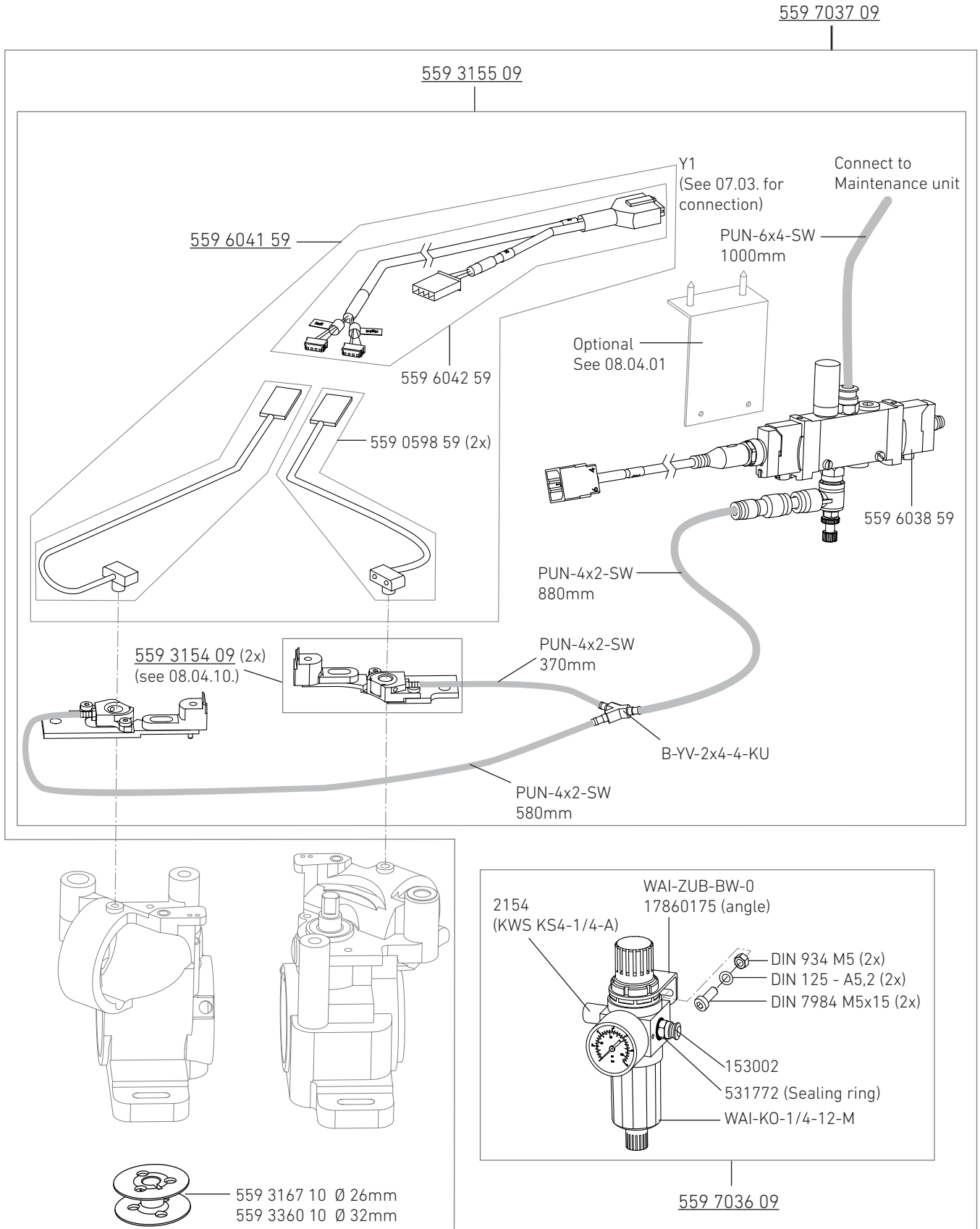
- 559 3167 10 Ø 26mm
- 559 3360 10 Ø 32mm



559 7036 09

08. SEWING ACCESSORIES

04.10.01. BOBBIN THREAD MONITORING-KIT 559 7037 09 - 2-NEEDLE / STANDARD

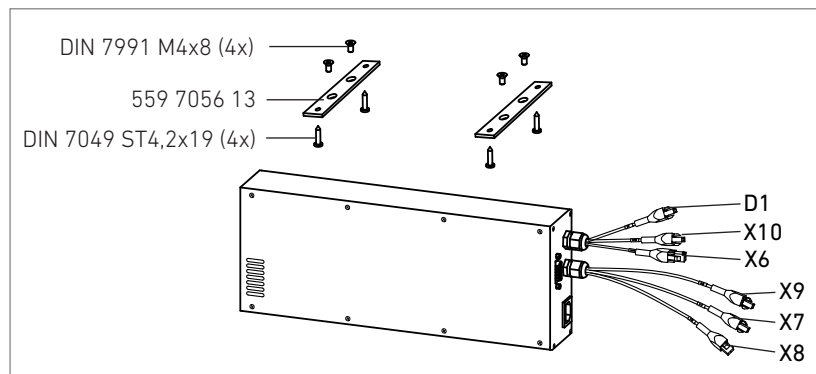
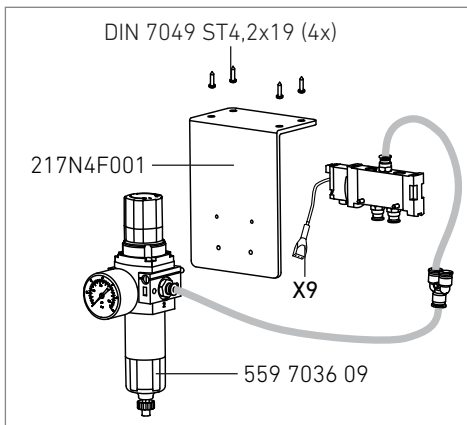
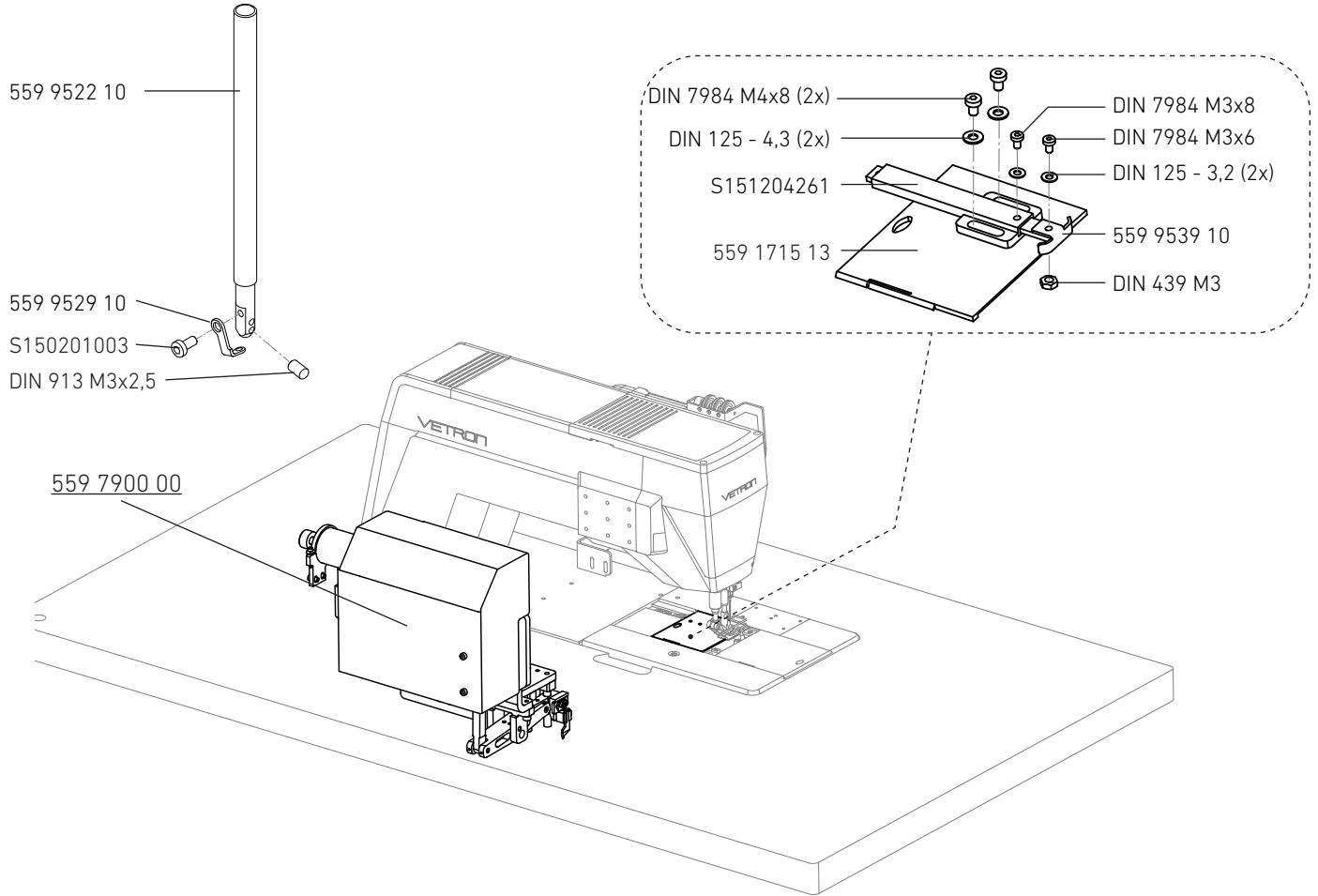


08. SEWING ACCESSORIES

04.11. EDGE TRIMMER 559 9500 00 COMPLETE

-1-2

For gauge parts see **08.07.06.**



559 9572 09

559 9561 59

X7 Cutter motor

X8 Safety switch

X9 Valve

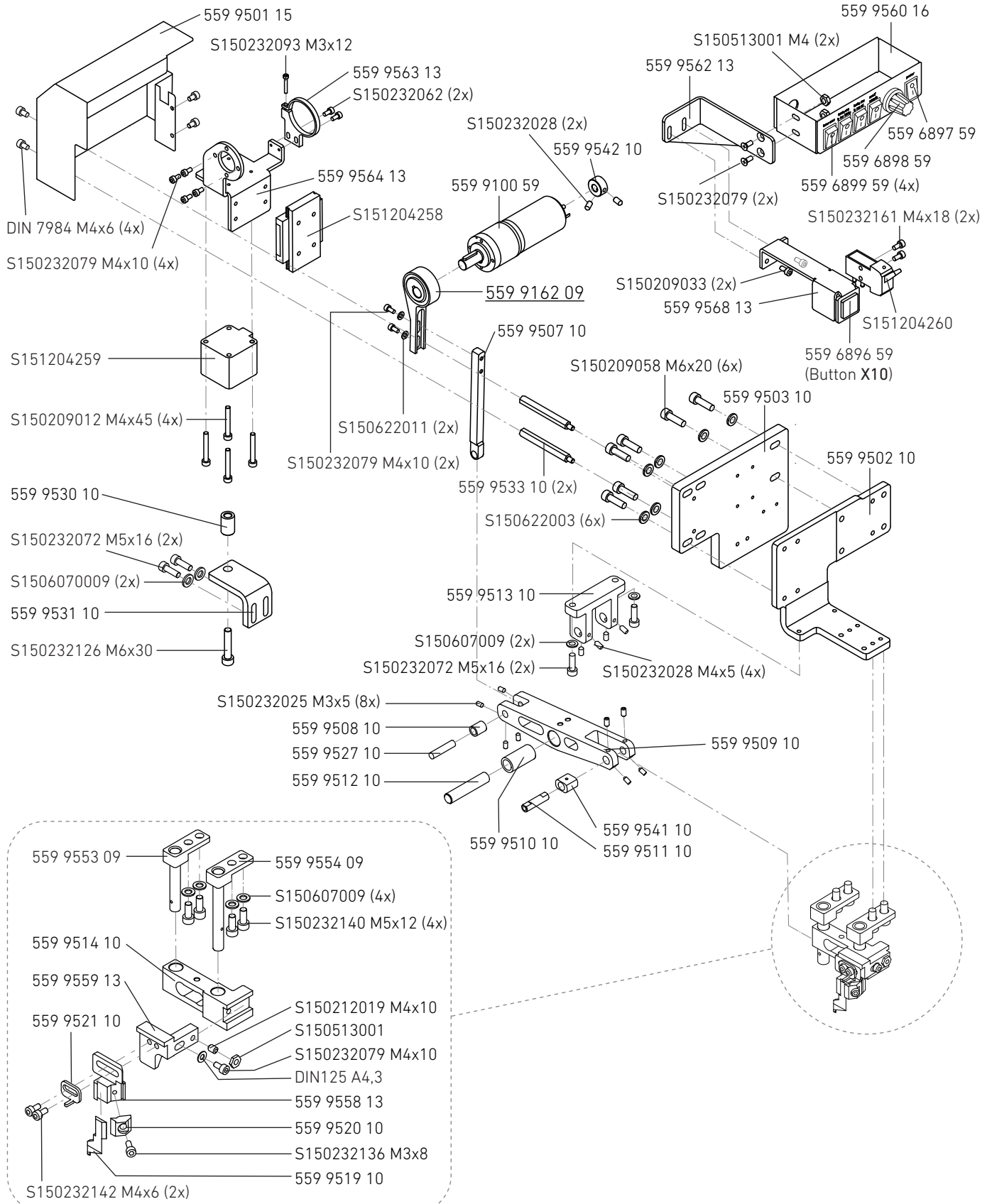
X10 Knife switch

X6 and X6A connects to Main Control Box X2 and X3
D1 is reserved

08. SEWING ACCESSORIES

04.11.01. EDGE TRIMMER 559 7900 00

-2-2

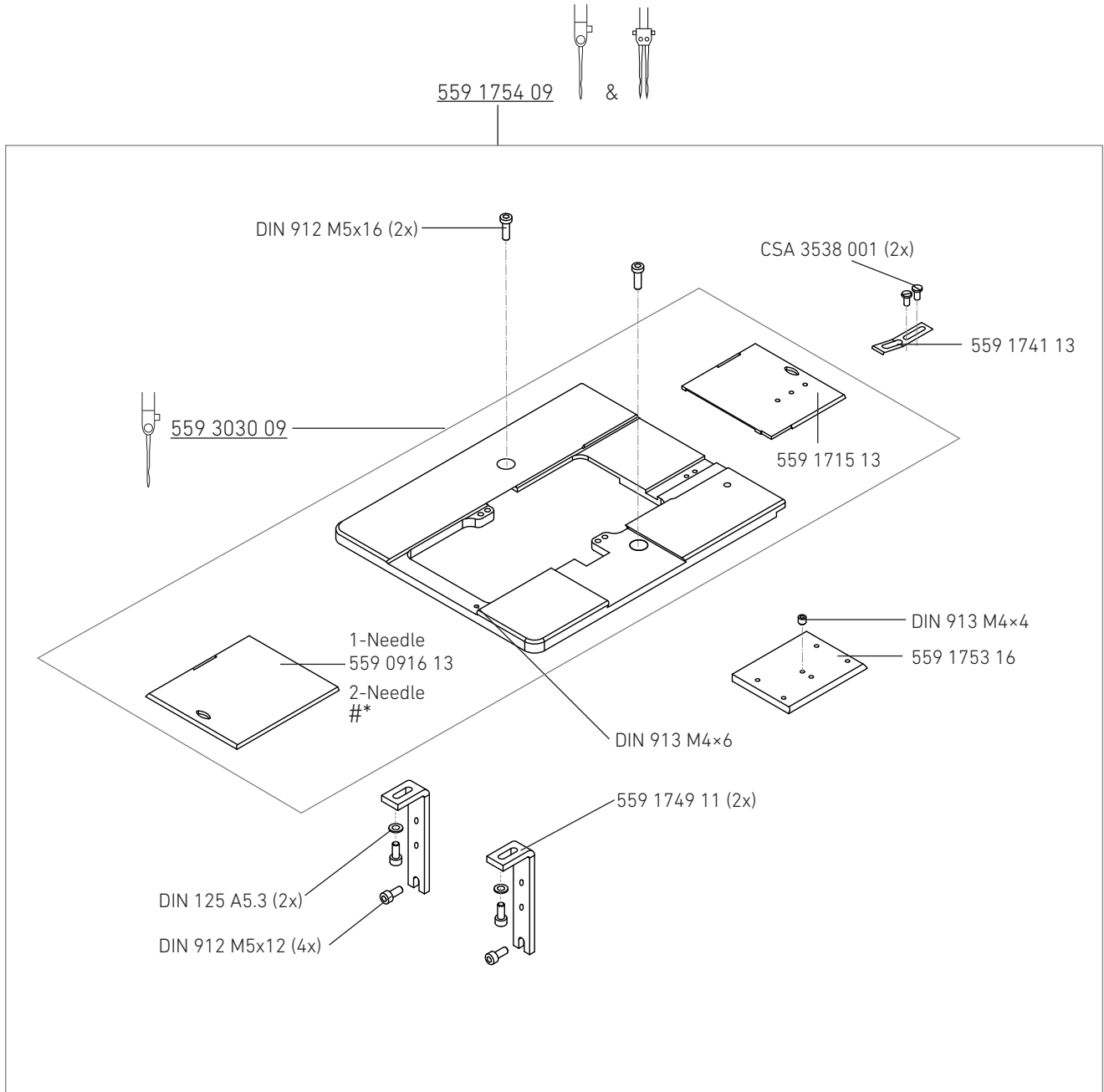


08. SEWING ACCESSORIES

04.12. METAL BED PLATE ASSY - 559 1754 09

#* NOTE!

To order the left slider for a 2-needle machine, see **08.08.01**. Needle gauge parts.

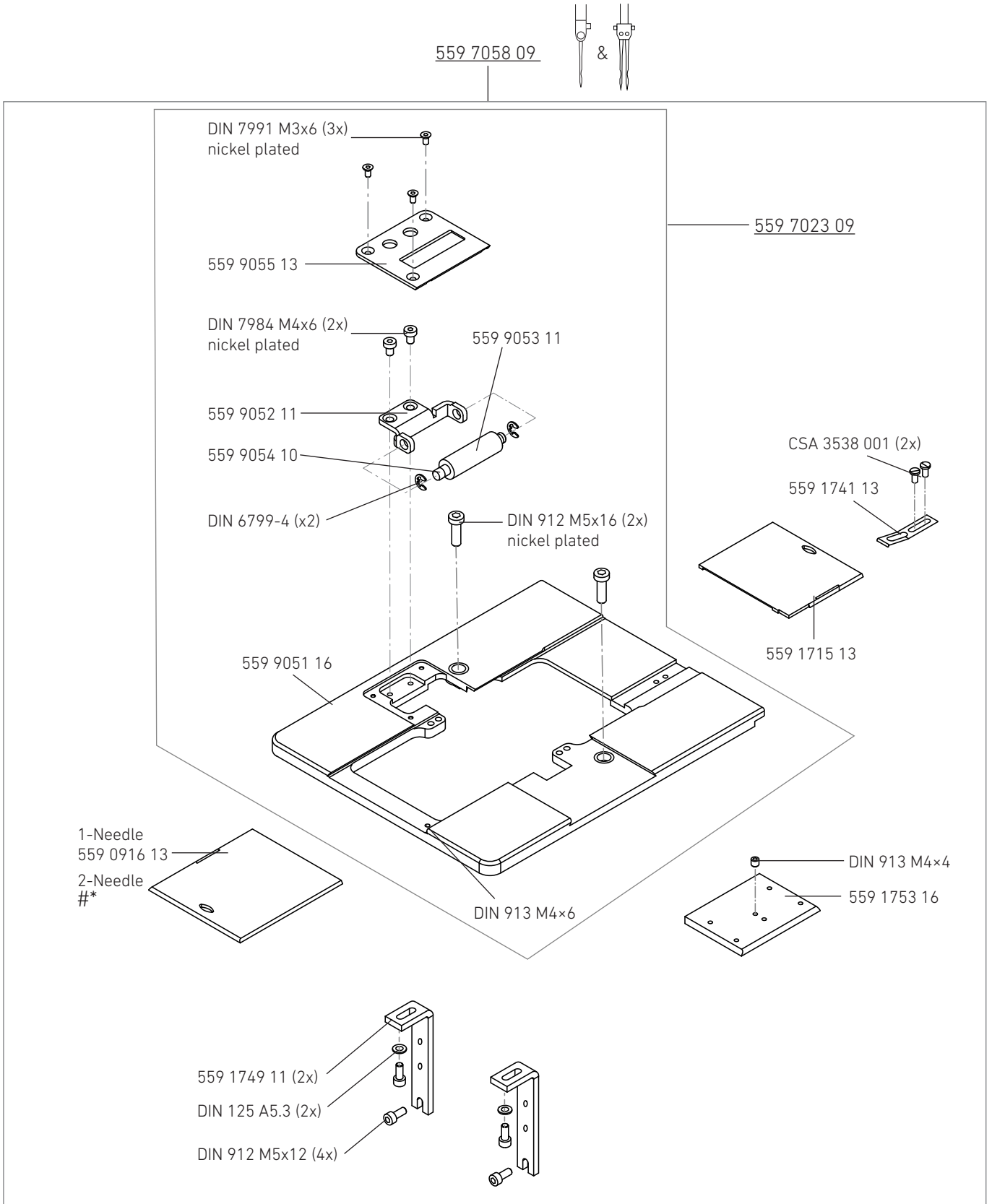


08. SEWING ACCESSORIES

04.13. PULLER BASE PLATE ASSY WITH COUNTERROLLER - 559 7058 09

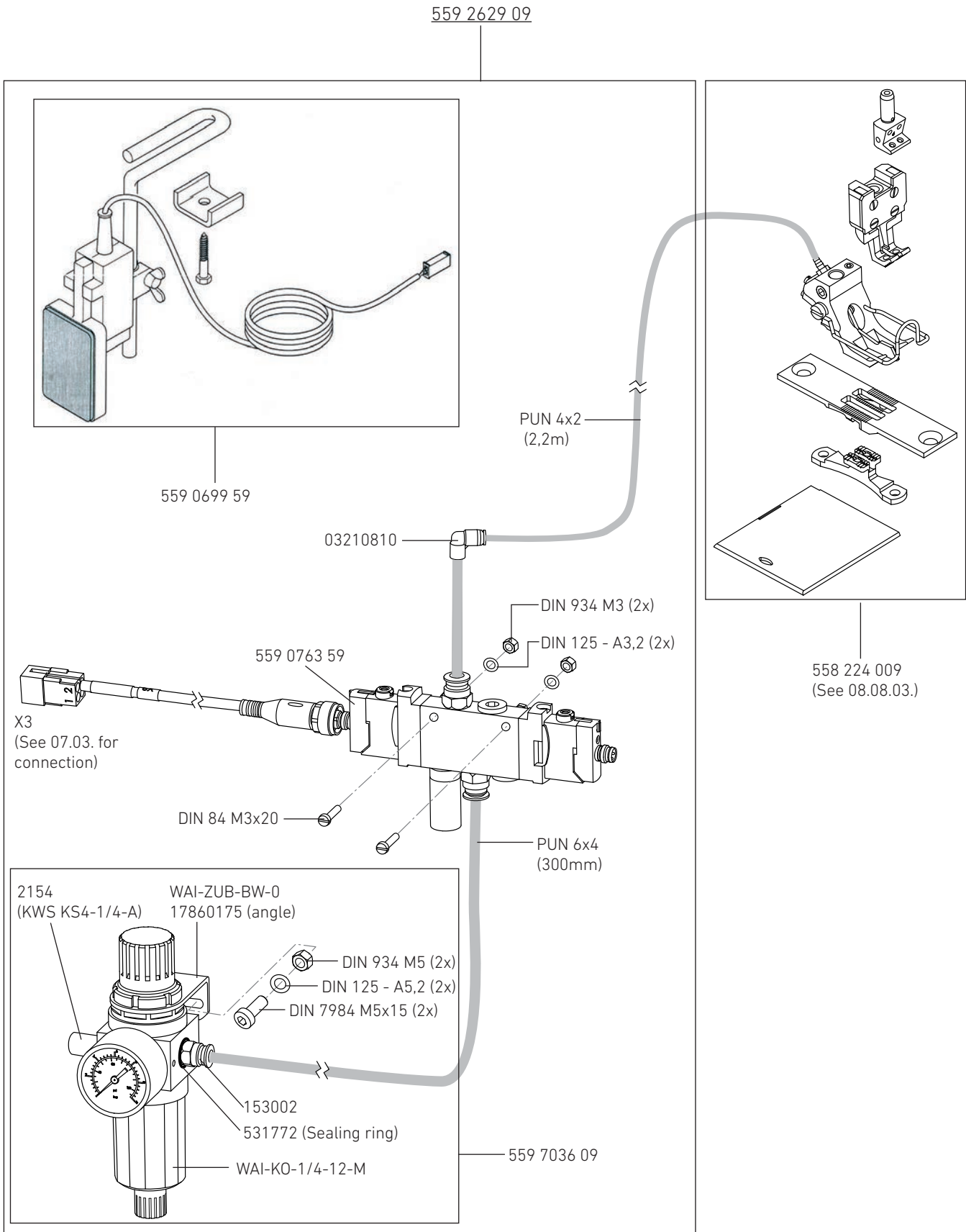
#* **NOTE!**

To order the left slider for a 2-needle machine, see **08.08.01**. Needle gauge parts.



08. SEWING ACCESSORIES

04.14. PNEUMATIC CONNECTION FOR MIDDLE SEAM GUIDE 558 224 009

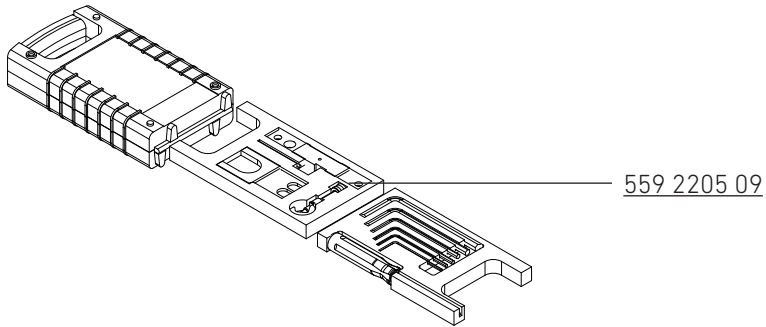


08. SEWING ACCESSORIES

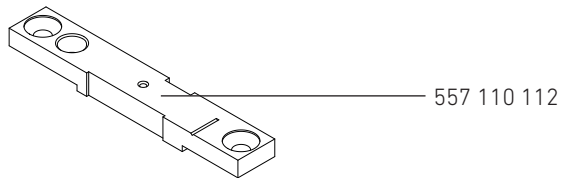
05. SERVICE KIT / ADJUSTMENT GAUGE

DESCRIPTION

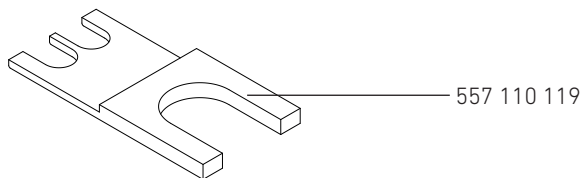
SERVICE KIT



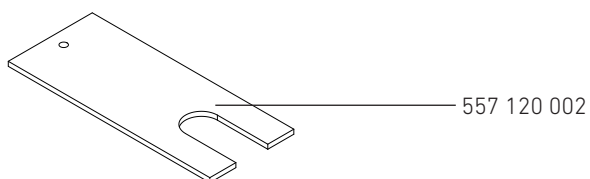
ADJUSTMENT GAUGE



ADJUSTMENT GAUGE



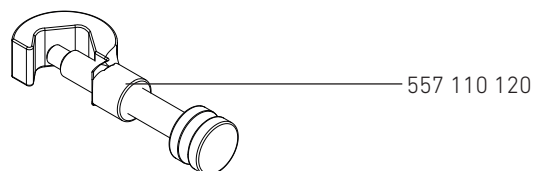
ADJUSTMENT GAUGE



PARALLEL PIN

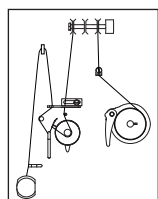


CLAMP

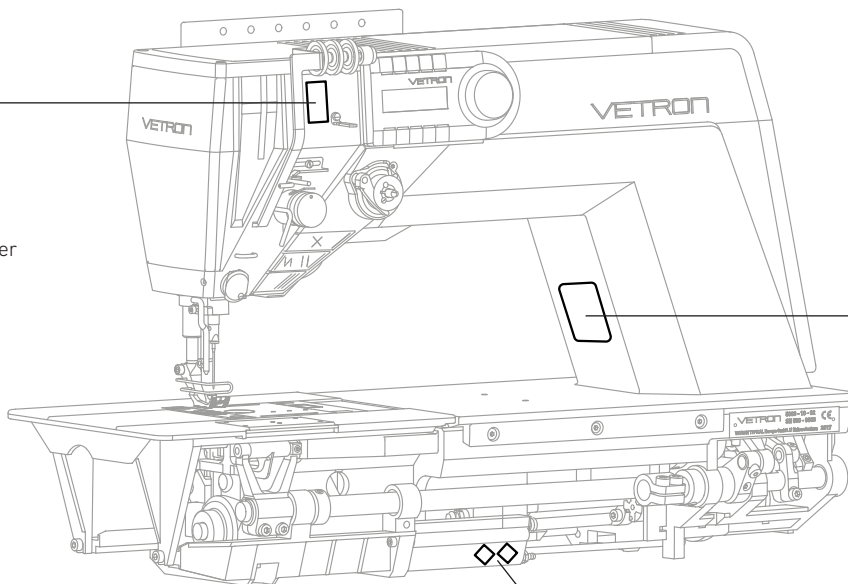


08. SEWING ACCESSORIES

06. STICKERS



Threading Scheme Sticker
559 3192 39



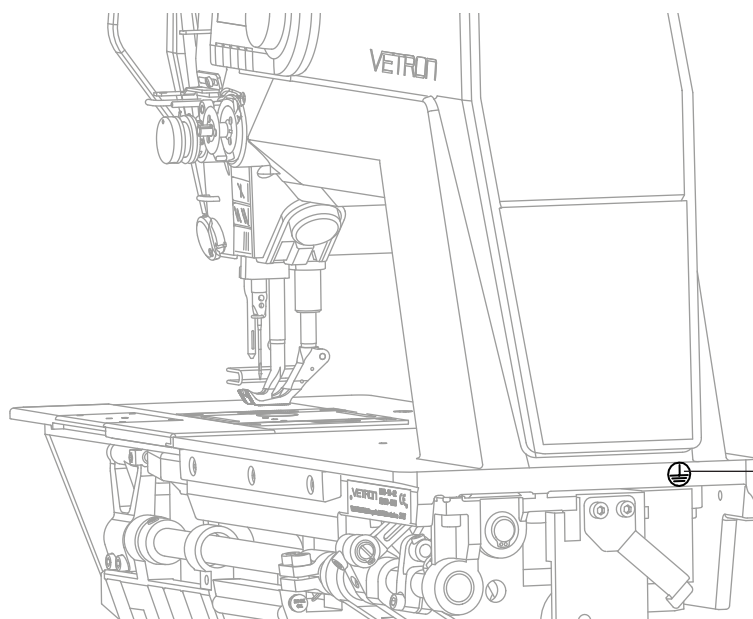
Safety Sticker
QT0000044



Health Hazard Sticker
559 3193 39



Environment Sticker
559 3194 39

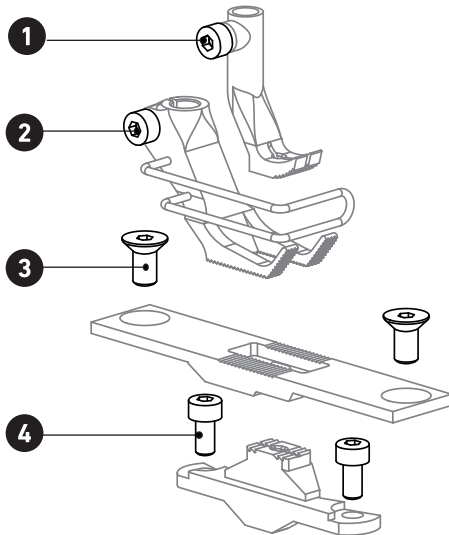


Grounding Sticker
559 3195 39

08. SEWING ACCESSORIES

07. NEEDLE GAUGE PARTS / 1-NEEDLE

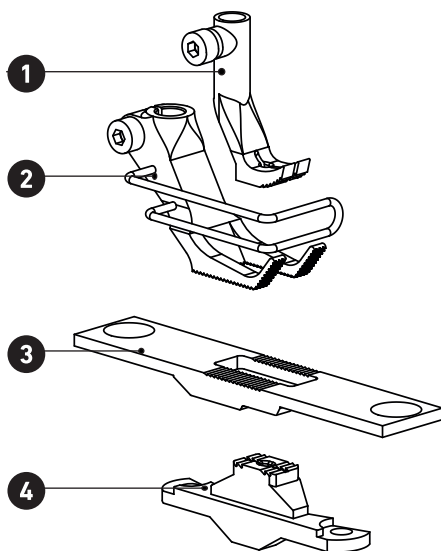
FASTENING PARTS FOR SEWING EQUIPMENTS



	STANDARD	SHORT CUTTER
POS-NR.	PART NAME	
1	DIN 912 - M4x6	nickel plated
2	DIN 912 - M4x10	nickel plated
3	DIN 7991 - M5x10	nickel plated (2x)
4	DIN 912 - M4x8 (2x)	DIN 6912 M4x8

POS-NR.	NEEDLE SIZE	STITCH LENGTH	ORDER #
---------	-------------	---------------	---------

SEWING EQUIPMENT FOR STANDARD SEWING OPERATIONS



POS-NR.	NEEDLE SIZE	STITCH LENGTH	ORDER #
		6.0	558 101 006
	110-140	9.0	558 102 009
		12.0	558 103 012
		6.0	558 104 006
	140-180	9.0	558 105 009
		12.0	558 106 012
1	110-140	6.0 / 9.0 / 12.0	559 4300 13
	140-180		559 4301 13
2	110-140/140-180	6.0	559 4201 09
		9.0	
		12.0	559 4203 09
3	110-140/140-180	6.0	559 4000 13
		9.0	559 4001 13
		12.0	559 4002 13
4	110-140	6.0 / 9.0 / 12.0	559 4100 13
	140-180		559 4101 13

08. SEWING ACCESSORIES

07.01. NEEDLE GAUGE PARTS / 1-NEEDLE

	POS-NR.	NEEDLE SIZE	STITCH LENGTH	ORDER #	
SEWING EQUIPMENT FOR STANDARD SEWING OPERATIONS WITH OPTIMIZED FEEDING CHARACTERISTICS					
<p>1</p> <p>2</p> <p>3</p> <p>4</p>	SET: 1 - 4	110-140	6.0	558 139 006	
			9.0	558 140 009	
			12.0	558 141 012	
			6.0	558 142 006	
		140-180	9.0	558 143 009	
			12.0	558 144 012	
		1	110-140	6.0 / 9.0 / 12.0	559 4300 13
			140-180		559 4301 13
		2	110-140/140-180	6.0	559 4201 09
				9.0	559 4203 09
				12.0	559 4204 09
		3	110-140/140-180	6.0	559 4003 13
			9.0	559 4004 13	
			12.0	559 4005 13	
	4	110-140	6.0 / 9.0 / 12.0	559 4102 13	
		140-180		559 4103 13	

SEWING EQUIPMENT FOR STITCHING ON EDGES ON THE RIGHT OF THE NEEDLE


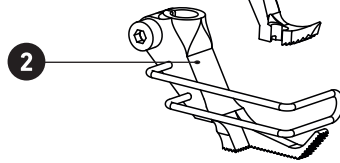
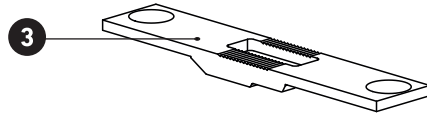
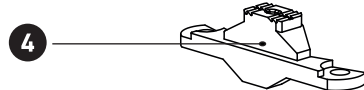
<p>1</p> <p>2</p> <p>3</p> <p>4</p>	SET: 1 - 4		558 107 006
	1		559 4302 13
	2		559 4204 09
	3		559 4000 13
	4		559 4100 13

08. SEWING ACCESSORIES

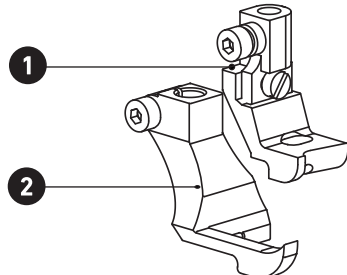
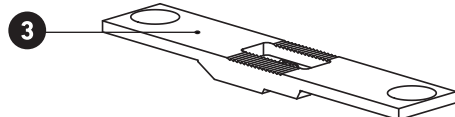
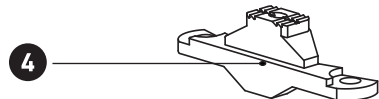

07.02. NEEDLE GAUGE PARTS / 1-NEEDLE

	POS-NR.	NEEDLE SIZE	STITCH LENGTH	ORDER #
--	---------	-------------	---------------	---------

SEWING EQUIPMENT FOR STITCHING ON EDGES ON THE LEFT OF THE NEEDLE

	SET:	ORDER #
	1 - 4	558 108 006
	1	559 4306 13
	2	559 4213 09
	3	559 4000 13
	4	559 4100 13

SEWING EQUIPMENT FOR STITCHING & WELT ATTACHING OPERATIONS

	SET:	NEEDLE SIZE	STITCH LENGTH	ORDER #
	1 - 5	welt groove 5 mm		558 125 006
		welt groove 8 mm		558 128 006
	1	5 mm		559 4305 09
		8 mm		559 4311 09
	2	5 mm		559 4206 13
		8 mm		559 4218 13
	3			559 4000 13
	4			559 4100 13

08. SEWING ACCESSORIES

07.03. NEEDLE GAUGE PARTS / 1- NEEDLE

	POS-NR.	NEEDLE SIZE	STITCH LENGTH	ORDER #	
SEWING EQUIPMENT WITH RIGHT COMPENSATING GUIDE – FOR LAP SEAM OPERATIONS					
	SET:		guide on right side //	558 145 009	
	1 - 4		5 mm		
	1				559 4307 13
	2				559 4209 09
	3			559 4001 13	
	4			559 4100 13	

SEWING EQUIPMENT WITH LEFT COMPENSATING GUIDE – FOR LAP SEAM OPERATIONS					
	SET:		guide on left side //	558 155 009	
	1 - 4		5 mm		
	1				559 4308 13
	2				559 4210 09
	3			559 4001 13	
	4			559 4100 13	

08. SEWING ACCESSORIES

07.04. NEEDLE GAUGE PARTS / 1-NEEDLE

POS-NR.	ORDER #
---------	---------

SEWING EQUIPMENT FOR SHORT CUTTER

SET:		
	1 - 4	558 201 006
	1	559 4300 13
	2	559 4201 09
	3	559 4015 13
	4	559 2655 13
5	DIN 6912 M4x8 (2x)	

SEWING EQUIPMENT FOR SHORT CUTTER (SMALL)

SET:		
	1 - 4	558 202 006
	1	559 4314 13
	2	559 4215 09
	3	559 9075 13
	4	559 9074 13
5	DIN 6912 M4x8 (2x)	

08. SEWING ACCESSORIES

07.05. NEEDLE GAUGE PARTS / 1-NEEDLE

	POS-NR.	ORDER #
SEWING EQUIPMENT FOR SHORT CUTTER - 2MM		
	SET: 1 - 4	558 204 006
	1	559 4309 13
	2	559 4204 09
	3	559 4018 13
	4	559 4117 13
	5	DIN 6912 M4x8 (2x)

08. SEWING ACCESSORIES

07.06. NEEDLE GAUGE PARTS / 1-NEEDLE

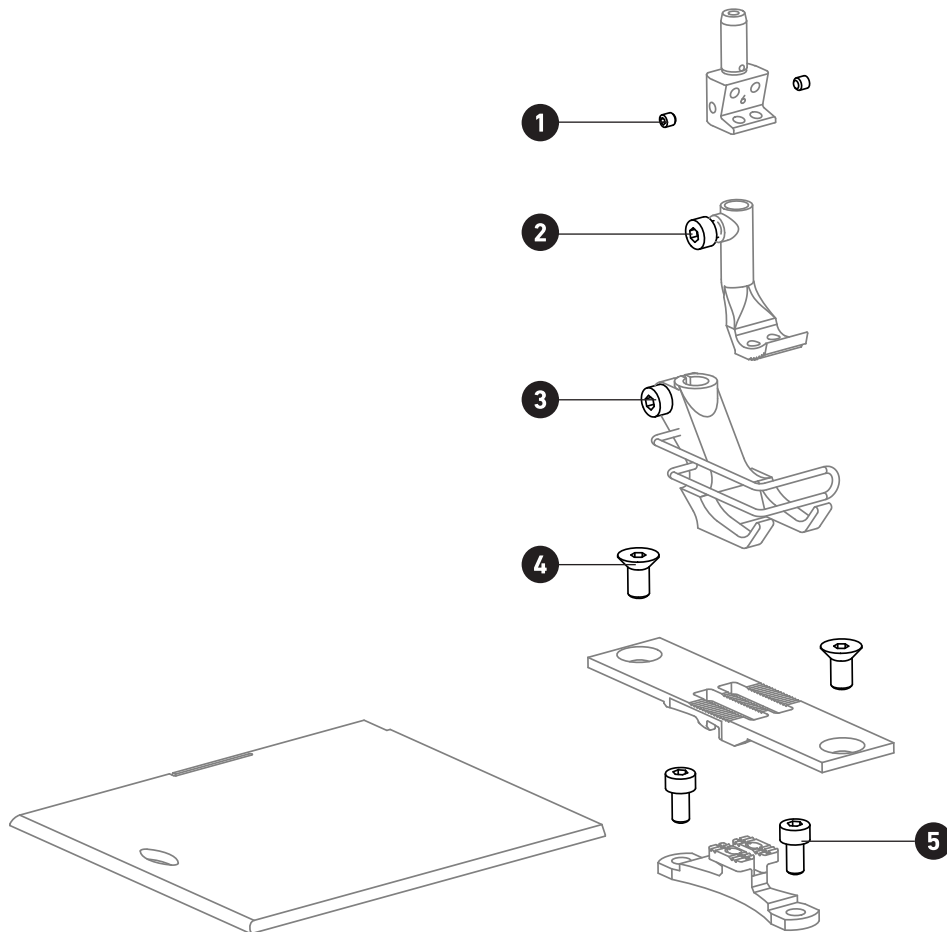
	POS-NR.	DISCRIPTION	EDGE DISTANCE	ORDER #
SEWING EQUIPMENT FOR EDGE TRIMMER - 559 9500 00				
	1	Screw		DIN 912 - M4x6 nickel plated
	2	Inner Foot		559 9524 10
	3	Screw		DIN 912 - M4x10 nickel plated
	4	Outer Foot		559 9535 09
	SET:			
	5 - 12	Gauge part set	1,6mm	558 061 005
			2mm	558 062 005
			3mm	558 064 005
	5	Bottom knife		559 9528 10
	6	Stitch plate	1,6mm	559 9523 10
			2mm	559 9543 10
			3mm	559 9544 10
7	Screw		DIN 6912 M4x8 (2x)	
8	Feed Dog		559 9525 10	
9	Screw		559 9532 10 (2x)	
10	Screw		DIN 1207 M2x6 (3x)	
11	Cover		559 9545 10	
12	Screw		DIN 912 M5x10 (2x)	

08. SEWING ACCESSORIES

08. SEWING ACCESSORIES

08. NEEDLE GAUGE PARTS / 2-NEEDLE

FASTENING PARTS FOR SEWING EQUIPMENT

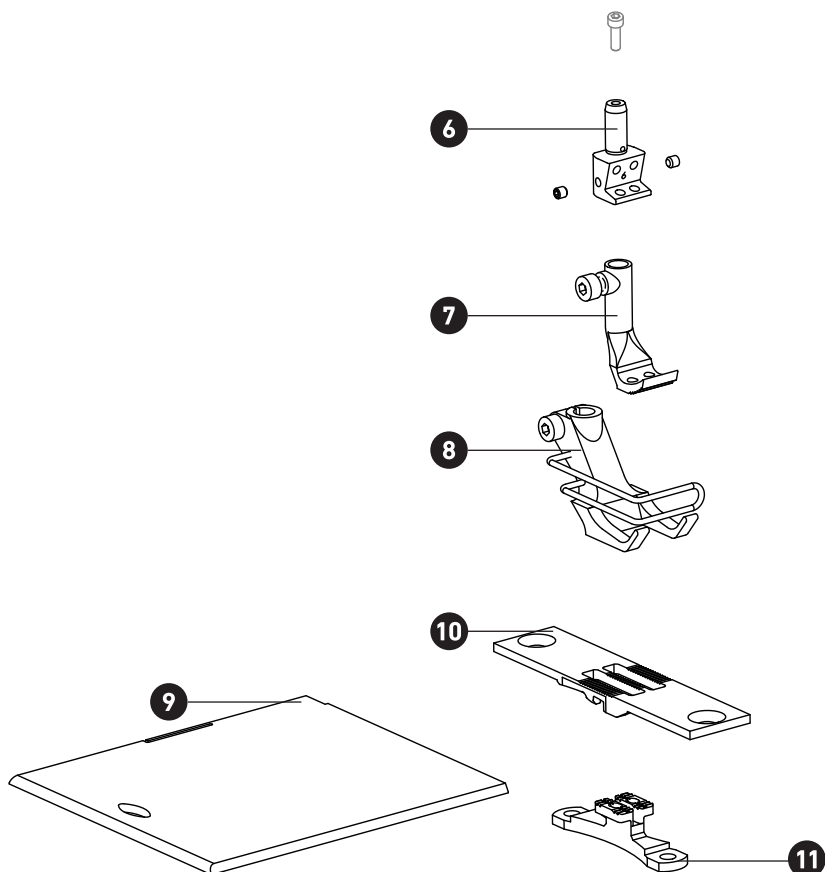


POS-NR.	PART NAME	AMOUNT
1	DIN 913 M3x2,5	2
2	DIN 912 - M4x6 (nickel-plated)	1
3	DIN 912 - M4x10 (nickel-plated)	1
4	DIN 7991 - M5x10 (nickel-plated)	2
5	DIN 912 - M4x8	2

08. SEWING ACCESSORIES

08.01. NEEDLE GAUGE PARTS / 2-NEEDLE

SEWING EQUIPMENT FOR STANDARD SEWING OPERATIONS

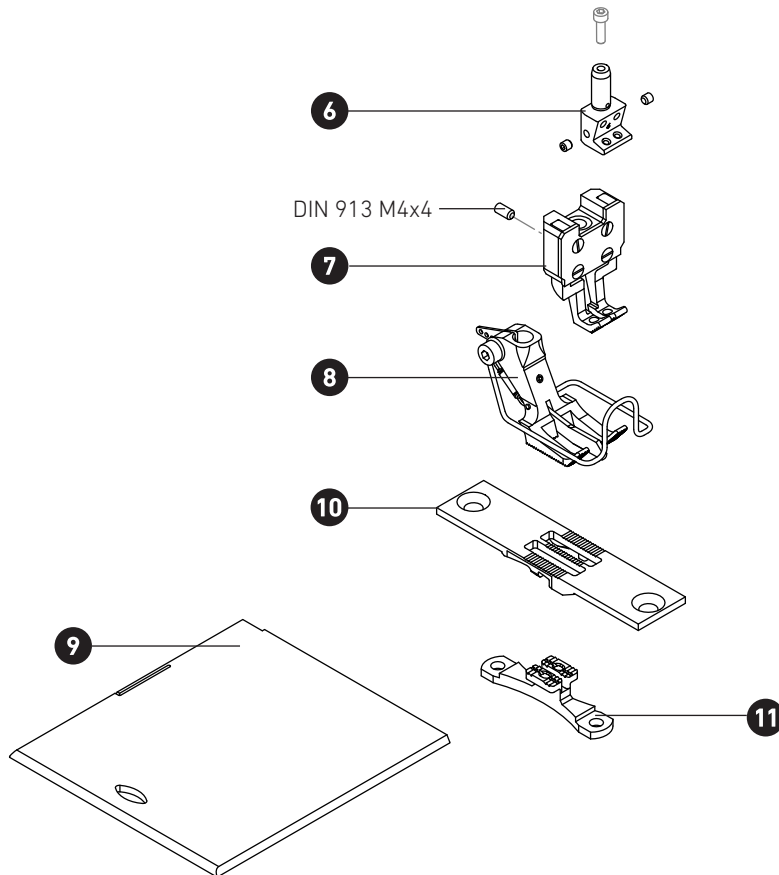


NEEDLE DISTANCE SET: 6 - 11	NEEDLE HOLDER 6	INNER FOOT 7	OUTER FOOT 8	SLIDER - LEFT 9	NEEDLE PLATE 10	FEED DOG 11
6mm 558 221 009-6	559 1203 09	559 4700 13	559 4600 09	559 2741 13	559 4402 13	559 4502 13
8mm 558 221 009-8	559 1204 09	559 4701 13	559 4601 09	559 2732 13	559 4403 13	559 4503 13
10mm 558 221 009-10	559 1205 09	559 4702 13	559 4602 09	559 2733 13	559 4404 13	559 4504 13
12mm 558 221 009-12	559 1206 09	559 4703 13	559 4603 09	559 2734 13	559 4405 13	559 4505 13

08. SEWING ACCESSORIES

08.02. NEEDLE GAUGE PARTS / 2-NEEDLE / MIDDLE SEAM GUIDE AND 2-PART LEVELING FOOT

SEWING EQUIPMENT FOR STANDARD SEWING OPERATIONS - BUT WITH MIDDLE SEAM GUIDE AND 2-PART LEVELING FOOT

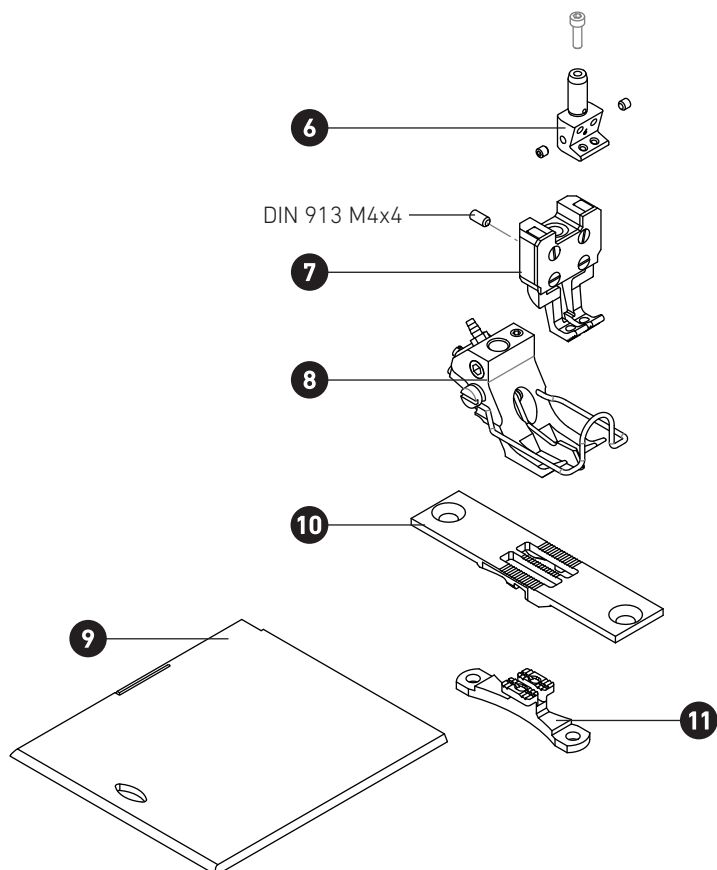


NEEDLE DISTANCE SET: 6 - 11	NEEDLE HOLDER 6	INNER FOOT 7	OUTER FOOT 8	SLIDER - LEFT 9	NEEDLE PLATE 10	FEED DOG 11
6mm 558 241 009-6	559 1203 09	559 4712 09	559 4616 09	559 2741 13	559 4402 13	559 4502 13
8mm 558 241 009-8	559 1204 09	559 4713 09	559 4618 09	559 2732 13	559 4403 13	559 4503 13
10mm 558 241 009-10	559 1205 09	559 4714 09	559 4620 09	559 2733 13	559 4404 13	559 4504 13
12mm 558 241 009-12	559 1206 09	559 4715 09	559 4622 09	559 2734 13	559 4405 13	559 4505 13

08. SEWING ACCESSORIES

08.03. NEEDLE GAUGE PARTS / 2-NEEDLE / MIDDLE SEAM GUIDE AND 2-PART LEVELING FOOT

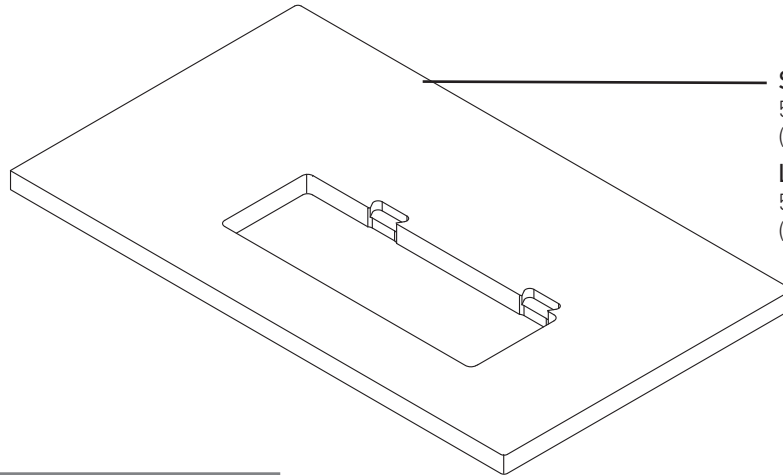
SEWING EQUIPMENT FOR STANDARD SEWING OPERATIONS -
BUT WITH A PNEUMATIC MIDDLE SEAM GUIDE AND 2-PART LEVELING FOOT



NEEDLE DISTANCE SET: 6 - 11	NEEDLE HOLDER 6	INNER FOOT 7	OUTER FOOT 8	SLIDER - LEFT 9	NEEDLE PLATE 10	FEED DOG 11
6mm 558 224 009-6	559 1203 09	559 4712 09	559 4640 09	559 2741 13	559 4402 13	559 4502 13
8mm 558 224 009-8	559 1204 09	559 4713 09	559 4641 09	559 2732 13	559 4403 13	559 4503 13
10mm 558 224 009-10	559 1205 09	559 4714 09	559 4642 09	559 2733 13	559 4404 13	559 4504 13
12mm 558 224 009-12	559 1206 09	559 4715 09	559 4643 09	559 2734 13	559 4405 13	559 4505 13

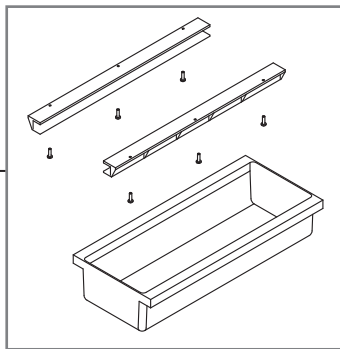
102 **01.** TABLE STAND

09. TABLE STAND



Standard
51-24044-12
(Table plate 1200×600 mm)

Longarm
51-24063-12
(Table plate 1600×600 mm)



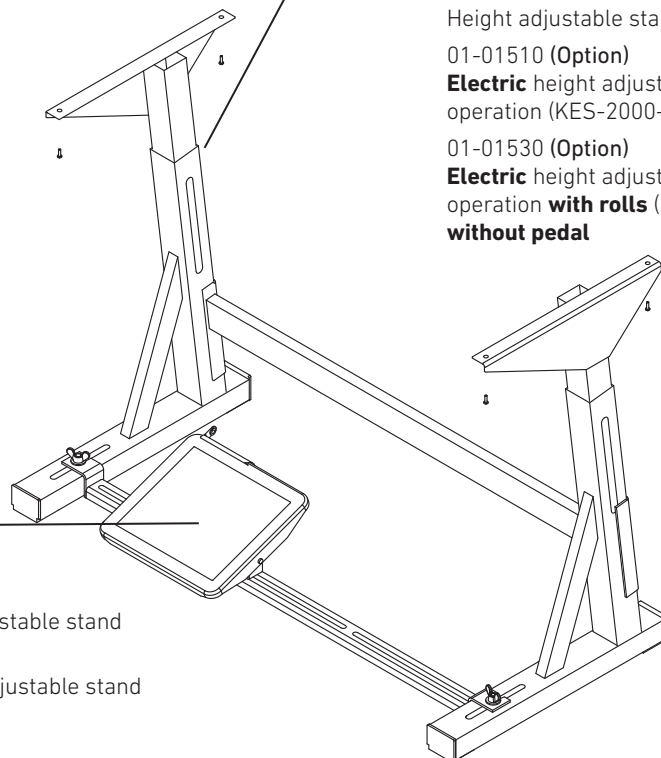
559 3188 09

Standard
01-00115-35
(Height adjustable stand **incl. pedal** (KES-B-1000-L))
01-01500 (Option)
Electric height adjustable stand for sitting or standing position (KES-2000) **without pedal**

01-01520 (Option)
Electric height adjustable stand for sitting or standing position **with rolls** (KES-2000-R0075) **without pedal**

Longarm
01-00118-35
Height adjustable stand **incl. Pedal** (KES-B-14000-L)
01-01510 (Option)
Electric height adjustable stand for sitting or standing operation (KES-2000-1200-660mm) **without pedal**

01-01530 (Option)
Electric height adjustable stand for sitting or standing operation **with rolls** (KES-2000-R0075-1200-660mm) **without pedal**



11-00030-35
Pedal KES-B-1000-L

11-001129-35 (Option)
Pedal K-20 for **electric** height adjustable stand

11-00123-35 (Option)
Pedal K-40-T for **electric** height adjustable stand for sitting or standing operation

INDEX - PARTS OF SEWING MACHINE

At the time of printing, all information and illustrations in this document were up-to-date.

Technical changes without prior notice!



NOTE!

- » Please take note of, we will not be liable for spare parts and accessories, not purchased from us. These parts were neither examined by us, nor released. Consequently, the installation or use of these products can have a negative influence on features and your workflow of the machine.
- » We accept no liability for any damage caused by the use of non-original parts.
- » Parts which are boxed have a underlined number.
These parts have a assembly part number!
- » The part numbers in the box can be seperately ordered.
- » Parts with a ★ means this part is new designed. The previous version is found at the end of the chapter. After consumption they will no longer be available

INDEX - PARTS OF SEWING MACHINE

PART NUMBER	PAGE	PART NUMBER	PAGE
Symbole		500 011 404	19
01-00115-35	102	Screw	
Height adjustable stand incl. Pedal (KES-B-1000-L)		500 034 322	56
01-00118-35	102	Rubber plug	
Height adjustable stand incl. Pedal (KES-B-14000-L)		500 035 330	58
01-01500 (Option)	102	Display button (Jog key)	
Electric height adjustable stand for sitting or standing position (KES-2000) without pedal		500 035 501	58
01-01510 (Option)	102	Display button (AB)	
Electric height adjustable stand for sitting or standing operation (KES-2000-1200-660mm) without pedal		500 035 502	58
01-01520 (Option)	102	Display button (CD)	
Electric height adjustable stand for sitting or standing position with rolls (KES-2000-RO075) without pedal		500 035 506	58
01-01530 (Option)	102	Display button (Parameter)	
Electric height adjustable stand for sitting or standing operation with rolls (KES-2000-RO075-1200-660mm) without pedal		500 035 510	58
1F-014	66	Display button (Escape)	
Thread Stand / 3-Spools		557 110 112	87
006F00030	66	Adjustment gauge	
Thread Stand / 2-Spools		557 110 119	87
11-00030-35	102	Adjustment Gauge	
Pedal KES-B-1000-L		557 110 120	87
11-00123-35 (Option)	102	Clamp	
Pedal K-40-T for electric height adjustable stand for sitting or standing operation		557 120 002	87
11-001129-35 (Option)	102	Adjustment Gauge	
Pedal K-20 for electric height adjustable stand		558 061 005	95
51-24044-12	102	Gauge parts	
Table plate 1200x600 mm		558 062 005	95
51-24063-12	102	Gauge Parts	
Table plate 1600x600 mm		558 064 005	95
93WF1-006	40	Gauge Parts	
Rubber plug		558 101 006	89
93WF2-001	17	Gauge Parts 6,0	
Screw		558 102 009	89
130.13.600	14	Gauge Parts 9,0	
Spring (0,45)		558 103 012	89
179WF5-001	19	Gauge Parts 12,0	
Needle bar (2-Needle)		558 104 006	89
209F01006	64	Gauge Parts 6,0	
Hexagonal wrench for needle screw		558 105 009	89
217 1000 38	55	Gauge Parts 9,0	
Tube clamp		558 106 012	89
217N4F001	82	Gauge Parts 12,0	
Angle		558 107 006	90
230 1000 08	24	Gauge Parts	
Holder		558 108 006	91
		Gauge Parts	
		558 125 006	91
		Gauge Parts	
		558 128 006	91
		Gauge Parts	

INDEX - PARTS OF SEWING MACHINE

PART NUMBER	PAGE	PART NUMBER	PAGE
558 139 006 Gauge Parts 6,0	90	558 4000 07 Bolt - 45mm	73
558 140 009 Gauge Parts 9,0	90	558 4000 08 Bolt - 25mm	73
558 141 012 Gauge Parts 12,0	90	559 0001 10 Collar	40
558 142 006 Gauge Parts 6,0	90	559 0006 11 Collar	12, 13
558 143 009 Gauge Parts 9,0	90	559 0009 09 Cover	24
558 144 012 Gauge Parts 12,0	90	559 0010 09 Cover	09
558 145 009 Gauge Parts	92	559 0011 10 Cam left	42, 43
558 155 009 Gauge Parts	92	559 0014 10 Clamp	24, 48
558 201 006 Gauge Parts	93	559 0016 10 Clamp (Longarm)	24
558 202 006 Gauge Parts	93	559 0026 10 Shaft	33
558 204 006 Gauge Parts	94	559 0027 09 Feeding mechanism assy	33
558 221 009-6 Gauge Parts	98	559 0029 10 Crank	33
558 221 009-8 Gauge Parts	98	559 0032 10 Eccentric bushing	33
558 221 009-10 Gauge Parts	98	559 0035 10 Washer	33
558 221 009-12 Gauge Parts	98	559 0038 10 Shaft	33
558 241 009-6 Gauge Parts	99	559 0042 10 Shaft	33
558 241 009-8 Gauge Parts	99	559 0043 09 Elevator mechanism assy	33
558 241 009-10 Gauge Parts	99	559 0047 10 Crank	33
558 241 009-12 Gauge Parts	99	559 0054 35 Rubber plug	56
558 701 000 Roller & straight guide with fine adjustment	70	559 0060 10 Collar	19
558 702 000 Straight guide with quick adjustment of two distances	70	559 0061 10 Timing belt pulley	47, 52
558 710 000 Electric edge guide	75	559 0062 15 Balance wheel	52
558 711 000 Height adjustable edge guide assy	76	559 0072 10 Crank-arm shaft	17
558 740 000 Eye Guard	77	559 0075 09 Pendular assy	19

INDEX - PARTS OF SEWING MACHINE

PART NUMBER	PAGE	PART NUMBER	PAGE
559 0080 10 Guide way	19	559 0163 09 Stitchregulator - top feed	17, 18
559 0081 10 Plate	19	559 0166 10 Timing belt pulley	47
559 0085 10 Crank	20	559 0169 10 Shaft	17
559 0087 10 Spring guide	20	559 0173 00 Lever with bolt	49
559 0091 10 Gear wheel	21	559 0175 09 Crank assy	48, 49
559 0092 10 Gear wheel	20	559 0181 10 Crank	49
559 0093 10 Spring (Standard)	20	559 0188 10 Timing belt pulley	47
559 0095 10 Shaft	20	559 0192 10 Shaft	47
559 0096 10 Bolt	21	559 0196 10 Gear wheel	48
559 0098 10 Shaft	17	559 0197 10 Bolt	48
559 0099 10 Gear wheel segment	21	559 0199 10 Shaft	48
559 0102 10 Collar	20	559 0218 35 Rubber cushion	65
559 0103 10 Slide block	17	559 0220 35 Rubber cushion	24
559 0104 09 Thread take up lever assy (1-Needle 26mm)	17	559 0227 33 Frame	24
559 0117 10 Gear wheel	21	559 0229 33 Frame behind	24
559 0119 13 Shaft	12, 13	559 0230 35 Cover behind	24
559 0121 33 Cover	09	559 0231 35 Cover	24
559 0126 35 Cover	09	559 0233 35 Oil pan	65
559 0127 36 Cover	09	559 0237 30 Diffusion lens	12, 13
559 0130 09 Frame assy (1-Needle)	12	559 0239 09 Top foot assy	20
559 0132 13 Thread guide	12, 13	559 0241 10 Link lever	20
559 0133 13 Thread guide	12, 13	559 0244 35 Oil pan	65
559 0145 09 Stitchregulator assy	48	559 0252 10 Adapter screw	32, 47
559 0160 09 Coupling assy	47	559 0274 10 Knife	11

INDEX - PARTS OF SEWING MACHINE

PART NUMBER	PAGE	PART NUMBER	PAGE
559 0294 09 Thread tension (2-Needle)	13	559 0393 13 Tension disc	14
559 0296 16 Tension spring	12	559 0394 13 Frame balance wheel	10
559 0299 09 Holder assy	22	559 0395 15 Ballance wheel	10
559 0301 10 Washer	40	559 0396 69 Key cape	10
559 0303 10 Shaft	41	559 0397 69 Key cape	10
559 0309 10 Bobbin case opener (26mm)	40	559 0398 15 Key cape	10
559 0310 10 Carrier	38	559 0407 16 Bed plate cover	29, 30
559 0313 10 Knife	38	559 0408 35 Frame	29, 30
559 0314 09 Lever assy	40	559 0409 19 Slide plate R coated	29, 30
559 0320 10 Thread catcher	38	559 0418 10 Plate	21
559 0321 10 Cover	40	559 0420 00 Gear wheel assy	48
559 0324 14 Felt ring	40	559 0422 00 Gear wheel assy	21
559 0326 10 Thread trapper	38	559 0424 16 Slide plate	29, 30
559 0327 10 Thread cutting cam (26mm & 32mm)	41, 43	559 0425 10 Spring	29, 30
559 0329 10 Bushing	40	559 0429 13 Thread guide	12, 13
559 0331 09 Lever assy	38	559 0430 36 Endcarriage	12
559 0336 14 Spring	40	559 0432 12 Bracket	65
559 0337 35 Rubber plug	40	559 0433 12 Bracket	65
559 0339 00 Knife carrier assy	38	559 0434 09 Lever with bushing	49
559 0351 10 Coupling	41, 43	559 0435 15 Connecting sheet	65
559 0352 14 Star	24, 47	559 0436 15 Sheet (Longarm)	65
559 0354 13 Hinge	65	559 0437 09 Hook oil reservoir assy	56
559 0375 09 1-Needle Thread tension assy	22	559 0441 09 Solenoid thread cutter	38
559 0392 15 Key cape	10	559 0443 10 Connecting adapter	38

INDEX - PARTS OF SEWING MACHINE

PART NUMBER	PAGE	PART NUMBER	PAGE
559 0458 39 Industrial Gas Spring (Standard)	65	559 0560 59 Foot distance sensor PCB assy	16
559 0460 09 Arm shaft assy (Longarm)	24	559 0568 59 Display button (chain program)	58
559 0463 10 Needle bar frame shaft (Longarm)	24	559 0580 59 LED PCB with thermal pad	12, 13, 62
559 0466 10 Feeding shaft (Longarm)	24	559 0598 59 Cable with PCB	80, 81
559 0467 09 Hook drive shaft assy (Longarm)	24	559 0612 59 Cable	59
559 0469 11 Shaft	52	559 0613 59 FFC-Cable	61
559 0471 16 Tension spring	13	559 0618 59 Display connector	10, 61
559 0474 09 Thread take up lever assy (2-Needle 32mm)	17	559 0626 59 USB Flash Drive = Admin	64
559 0479 10 Holder	47	559 0628 59 USB Flash Drive = Operator Optional	64
559 0480 00 Slide rod assy	20	559 0629 59 Control box VE 8340	59
559 0486 00 Shaft with coupling	52	559 0633 59 Head base cable	61
559 0493 13 Thread guide	12, 13	559 0636 59 Light clamp cable (1-Needle)	62
559 0496 10 Bolt	49	559 0637 59 Thread tension cable	62
559 0499 10 Spring	10	559 0638 59 Trimmer cable	38, 62
559 0501 59 LED-PCB	12, 13, 62	559 0641 59 Control panel basic machine	58
559 0506 59 Circuit board	10, 61	559 0644 59 Foot position sensor cable	16, 61
559 0507 59 Head-Base with CPU	10, 61	559 0646 59 CTL-cable	62
559 0514 59 Foot distance sensor PCB assy	22, 61	559 0649 59 Cable	10
559 0528 59 PCB	16	559 0654 59 Power cable	59
559 0551 59 Display button (cut)	58	559 0655 59 Cable encoder	47
559 0552 59 Display button (needle position)	58	559 0657 59 Cable head extension	62
559 0553 59 Display button (light)	58	559 0661 59 Light clamp cable (2-Needle)	13, 62
559 0554 59 Display button (new program)	58	559 0663 59 Bobbin winder cable	10
559 0556 59 Display button (save)	58	559 0666 59 Cable sensor	78, 79

INDEX - PARTS OF SEWING MACHINE

PART NUMBER	PAGE	PART NUMBER	PAGE
559 0667 59 Adapter cable for 2-Needle	38	559 0824 10 Bobbin case opener (32mm)	40
559 0668 59 Adapter slide control cable	72, 78, 79	559 0827 30 Bobbin (Standard / Short Cutter 32mm)	36, 37, 64
559 0682 59 Cable	76	559 0835 09 Foot distance sensor assy	22
559 0698 59 Cable - thread cutter - short	39	559 0841 09 Carrier with solenoid	10
559 0699 59 Knee switch with cable	69, 86	559 0842 35 Foam block	24
559 0704 59 Thread tension actuator	12	559 0844 09 Cover behind - assy	24
559 0710 59 Presser foot stepper motor	21	559 0847 11 Holder	19
559 0713 59 Stepper motor Fei Long	48, 73	559 0856 30 Head cover	64
559 0714 59 Stepper motor Fei Long (x) with cable	21	559 0863 14 Bushing	24, 54
559 0715 59 Linear actuators with nut	75, 76	559 0893 10 Thread cutter	38
559 0716 59 Thread tension actuator (2-Needle)	13	559 0896 14 Felt	19
559 0720 59 Cable	75, 76	559 0899 11 Rubber plug	24, 54
559 0721 59 Cable	75, 76	559 0916 13 Slider left (1-Needle)	31, 84, 85
559 0722 59 Cable	75, 76	559 0921 13 Thread guide	24
559 0723 59 Cable complete	77	559 0922 11 Fixation for Display	58, 64
559 0729 59 Adapter cable (2-Needle)	78, 79	559 0926 09 Thread guide assy	14
559 0763 59 Pneumatic assy	86	559 0953 11 Cable holder	16
559 0776 59 Adapter cable with switch	76	559 0955 14 Vinyl tube 3x5	24
559 0777 59 Stepper Motor with cable	76	559 0956 15 Cover	16
559 0804 10 Plate	24	559 0957 14 Star	24, 52
559 0809 10 Holder	22	559 0958 10 Spring	11
559 0812 10 Screw	20	559 0960 09 Rotary hook assy (Standard 26mm)	36
559 0820 10 Guide assy	16	559 0961 09 Rotary hook assy (Standard 32mm)	36
559 0822 10 Shaft	42, 43	559 0963 14 Felt	19

INDEX - PARTS OF SEWING MACHINE

PART NUMBER	PAGE	PART NUMBER	PAGE
559 0964 01 Plate assy	16	559 1719 09 Frame assy (2-Needle)	13
559 0968 11 Cable holder	16	559 1723 09 Thread tension assy (2-Needle)	13
559 0972 35 Cover for panel connection	58	559 1741 13 Spring	31, 84, 85
559 0976 00 Knife carrier assy	38	559 1742 03 Thread guide (2-Needle)	13
559 0983 13 Thread guide (32mm)	12, 13	559 1749 11 Angle	31, 84, 85
559 0984 11 Holder	16	559 1753 16 Slide plate	31, 84, 85
559 0985 13 Left metal cover	29, 69	559 1754 09 Metal bed plate assy	31, 84, 85
559 0997 30 Head cover (Longarm)	64	559 1760 59 Main motorTypical/YM24-D assy	47
559 0999 10 Adapter for additional equipment	70	559 1763 10 Plate	75, 76
559 1061 11 Angle	11	559 1766 16 Carrier	75
559 1153 11 Holder	72	559 1767 31 Nut	75, 76
559 1155 09 Safety switch kit (for Standard Machine)	72	559 1768 10 Carrier	75, 76
559 1203 09 Needle Holder	98, 99	559 1769 10 Spring Z-081 RI	75, 76
559 1204 09 Needle Holder	98, 99	559 1770 11 Bolt	75, 76
559 1205 09 Needle Holder	98, 99	559 1772 16 Carrier	75, 76
559 1206 09 Needle Holder	98, 99	559 1773 39 DryLin W chain guide	75, 76
559 1700 09 Bobbin winder	11	559 1774 09 Guide bloc	75, 76
559 1708 15 Cover	16, 75, 76	559 1775 09 Housing with bushing	75, 76
559 1709 00 Block assy	13	559 1776 39 Knurled screw	75
559 1710 09 Control & Bobbin winder	10, 61	559 1780 39 Knurled screw	73
559 1711 35 Timing belt 5M-265-9 (Gates)	47	559 1785 09 Industrial Gas Spring (Longarm)	65
559 1712 35 Timing belt 5M-650-9 (Gates)	47	559 1787 01 Bolt assy	75
559 1713 35 Seal ring	47	559 1798 13 Thread guide (26mm)	12, 13
559 1715 13 Slider - right	31, 82, 84, 85	559 1799 10 Pin	75, 76

INDEX - PARTS OF SEWING MACHINE

PART NUMBER	PAGE	PART NUMBER	PAGE
559 1803 13 Angle	76	559 2155 09 Set point device	59
559 1804 13 Bolt	76	559 2161 09 Connecting rod	59
559 1805 13 Bolt	76	559 2162 06 Mounting kit for control box	59
559 1806 13 Bolt	76	559 2186 10 Timing belt pulley	73
559 1827 00 Knife carrier assy (short cutter)	80	559 2187 10 Timing belt 408 3MGT3	73
559 1839 13 Hinge	65	559 2205 09 Service Kit	87
559 1840 09 Slide control kit for Metal plate assy	79	559 2305 09 Wheel 25mm	73
559 1841 09 Slide control-kit for metal plate assy - 2-Needle	79	559 2408 09 Wheel 45 (Silikon)	73
559 1844 13 Plate	65	559 2600 10 Eye guard 44mm	77
559 1846 09 Metal plate assy (2-needle)	30	559 2601 09 Plate assy	77
559 1855 10 Thread take up spring C/D	13	559 2606 21 Buffer	77
559 1856 10 Thread take up spring C/D	13	559 2608 10 Plate	78
559 1865 13 Bolt	76	559 2609 09 Plate assy	77
559 1867 10 Bolt	76	559 2610 10 Plate	16
559 1886 09 Thread take up lever assy (2-Needle 26mm)	17	559 2613 09 Slide control-kit	78
559 1887 09 Thread take up lever assy (1-Needle 32mm)	17	559 2616 10 Copper plate	10
559 1893 09 Barcode scanner	71	559 2617 14 Cover	42, 43
559 1899 11 Bolt	75, 76	559 2618 35 Frame	30
559 1925 09 Rotary hook assy (Standard 26mm)	37	559 2621 34 L-connector	55
559 1926 09 Bobbin case (Short cutter 26mm)	37	559 2622 10 Adapter	13
559 1928 09 Rotary hook assy (Standard 32mm)	37	559 2629 09 Pneumatic connection for middle seam guide	86
559 1929 09 Bobbin case (Short cutter 32mm)	37	559 2630 11 Screw	75
559 2054 39 Linear guide	74	559 2632 13 Thread guide	13
559 2153 16 Carrier	59	559 2633 10 Thread cutting cam left	42, 43

INDEX - PARTS OF SEWING MACHINE

PART NUMBER	PAGE	PART NUMBER	PAGE
559 2640 09 Short cutter assy	39	559 2763 11 Holder	72
559 2654 10 Shaft	39	559 2765 00 Thread cutter	38
559 2655 13 Feed Dog	93	559 2769 09 Head electronics assy without bobbin winder	10
559 2660 11 Carrier	73	559 2773 10 Cotter bolt	65
559 2662 09 Cylinder assy	73	559 2774 10 Cotter pin	65
559 2663 11 Carrier	73	559 2777 11 Plate	65
559 2667 11 Cover	73	559 2793 36 Cover	75, 76
559 2669 10 Spring	73	559 2878 11 Collar	75, 76
559 2670 09 Needle cooling	71	559 2879 11 Bloc	75, 76
559 2673 11 Washer	73	559 2887 09 Bushing	73
559 2679 10 Bobbin (Standard / Short Cutter 26mm)	36, 37, 64	559 2904 11 Plate	73
559 2683 10 Collar	40	559 2920 00 Timing belt pulley	73
559 2692 11 Holder	39	559 2921 11 Cover	73
559 2695 09 Top foot assy	20	559 2923 11 Cover	73
559 2728 11 Spring holder	39	559 2927 11 Plate	73
559 2729 10 Thread cutting cam (short cutter 26mm & 32mm)	41	559 3001 09 Needle bar assy	19
559 2732 13 Slider - Left	98, 99	559 3002 13 Thread guide	19
559 2733 13 Slider - Left	98, 99	559 3006 15 Cable cover	75, 76
559 2734 13 Slider - Left	98, 99	559 3007 10 Spring	38
559 2735 09 Tremba HMF-3830d-15.002	39	559 3009 09 Safety switch kit (for Metal Plat assy)	72
559 2737 35 Rubber cushion	24	559 3025 09 Hook assy	40
559 2741 13 Slider - Left	98, 99	559 3030 09 Metal bed plate with slider	31, 84, 85
559 2754 10 Cam	41, 43	559 3032 10 Plate	74
559 2760 10 Washer	39	559 3033 09 Plate	74

INDEX - PARTS OF SEWING MACHINE

PART NUMBER	PAGE	PART NUMBER	PAGE
559 3035 11 Plate	74	559 3154 09 Bobbin thread monitoring assy	80, 81
559 3036 11 Cover	74	559 3155 09 Bobbin thread monitoring (2-Needle)	81
559 3037 10 Plate	74	559 3157 10 Angle for valve assy.	69
559 3038 10 Spring holder	74	559 3166 33 Frame	24, 76
559 3039 11 Pipe	74	559 3167 10 Bobbin (Ø 26mm)	36, 37, 80, 81
559 3045 09 Linear guide puller assy	73, 74	559 3168 09 Standard Plate, 1-Needle	29
559 3055 09 Plate assy	73	559 3180 09 1-Needle thread tension assy	12
559 3083 09 Oil pipe line assy	40	559 3182 13 Disc	12
559 3084 10 Plate	65	559 3188 09 Drawer	102
559 3085 09 Slide control-Kit 2-Needle	78	559 3192 39 Threading Scheme Sticker	88
559 3106 11 Anti-tamper protection	64	559 3193 39 Health Hazard Sticker	88
559 3107 34 Oil tube 3x5	54, 55	559 3194 39 Environment Sticker	88
559 3108 34 Oil tube 6x8	54, 55	559 3195 39 Grounding Sticker	88
559 3109 34 Oil wick Ø 2mm	54, 55	559 3218 13 Lever	11
559 3110 09 Hook without bobbin case (Standard 26mm)	36	559 3223 10 Shaft	12
559 3111 09 Hook without bobbin case (Standard 32mm)	36	559 3226 10 Spring (0,35)	36, 37
559 3112 09 Hook without bobbin case (Short cutter 26mm)	37	559 3227 10 Spring (0,45)	36
559 3113 09 Hook without bobbin case (Short cutter 32mm)	37	559 3228 10 Spring (0,45)	36
559 3117 10 Eye guard 26mm	77	559 3229 09 Bobbin case (Standard 26mm)	36
559 3121 10 Eye guard 31mm	77	559 3230 09 Bobbin case (Standard 32mm)	36
559 3130 11 Adapter plate	80	559 3233 10 Screw	36, 37
559 3132 09 Knife carrier assy (standard)	80	559 3234 10 Screw	36, 37
559 3141 09 Nozzle assy	80	559 3235 11 Tension spring	36, 37
559 3153 09 Bobbin thread monitoring (1-Needle)	80	559 3237 10 Screw	36, 37

INDEX - PARTS OF SEWING MACHINE

PART NUMBER	PAGE	PART NUMBER	PAGE
559 3238 10 Lubrication plate (26mm)	36, 37	559 3649 09 Pipe (400mm)	67
559 3239 10 Lubrication plate (32mm)	36, 37	559 3650 09 Mounting Kit - Vetron	67
559 3240 10 Hook gib (26mm)	36, 37	559 3652 15 Foam	68
559 3241 10 Hook gib (32mm)	36, 37	559 3653 10 Cover for thread stand cops	68
559 3242 10 Needle guard (26mm)	36, 37	559 3660 11 Collar	76
559 3243 10 Needle guard (32mm)	36, 37	559 3661 11 Cam	76
559 3244 10 Hook gib with heel (26mm)	36, 37	559 3662 10 Plate	76
559 3245 10 Screw	36, 37	559 3663 10 Threaded Spindle	76
559 3341 10 Hook gib with heel (32mm)	36, 37	559 3664 11 Angle	76
559 3360 10 Bobbin (Ø 32mm)	36, 37, 80, 81	559 3665 16 Carrier	76
559 3561 09 Carrier assy	42	559 3666 16 Cover	76
559 3619 09 Thread Stand	67	559 4000 13 Stitch Plate	89, 90, 91
559 3629 03 Thread guide	68	559 4001 13 Stitch Plate	89, 92, 94
559 3633 30 Tube (1000mm)	68	559 4002 13 Stitch Plate	89
559 3637 09 Clamp	67	559 4003 13 Stitch Plate	90
559 3638 30 Tube (400mm)	68	559 4004 13 Stitch Plate	90
559 3640 09 Thread Stand / 1-Needle	66	559 4005 13 Stitch Plate	90
559 3641 09 Thread Stand / 2-Needle	66	559 4015 13 Stitch Plate	93
559 3642 09 Thread Stand / Mounting-Kit-Vetron	66	559 4018 13 Stitch Plate	94
559 3644 09 Spindle shaft clamp	68	559 4100 13 Feed Dog	89, 90, 91, 92, 94
559 3645 09 Pipe (400mm)	67	559 4101 13 Feed Dog	89
559 3646 09 Pipe (600mm)	67	559 4102 13 Feed Dog	90
559 3647 09 Pipe (600mm)	67	559 4103 13 Feed Dog	90
559 3648 09 Pipe (800mm)	67	559 4117 13 Feed Dog	94

INDEX - PARTS OF SEWING MACHINE

PART NUMBER	PAGE	PART NUMBER	PAGE
559 4201 09 Outer Foot	89, 90, 93	559 4503 13 Feed Dog	98, 99
559 4203 09 Outer Foot	89, 90	559 4504 13 Feed Dog	98, 99
559 4204 09 Outer Foot	90, 94, 95	559 4505 13 Feed Dog	98, 99
559 4206 13 Outer Foot	91	559 4600 09 Outer Foot	98
559 4209 09 Outer Foot	92, 94	559 4601 09 Outer Foot	98
559 4210 09 Outer Foot	92	559 4602 09 Outer Foot	98
559 4213 09 Outer Foot	91	559 4603 09 Outer Foot	98
559 4215 09 Outer Foot	93	559 4616 09 Outer Foot	99
559 4218 13 Outer Foot	91	559 4618 09 Outer Foot	99
559 4300 13 Inner Foot	89, 90, 93	559 4620 09 Outer Foot	99
559 4301 13 Inner Foot	89, 90	559 4622 09 Outer Foot	99
559 4302 13 Inner Foot	90	559 4700 13 Inner Foot	98
559 4305 09 Inner Foot	91	559 4701 13 Inner Foot	98
559 4306 13 Inner Foot	91	559 4702 13 Inner Foot	98
559 4307 13 Inner Foot	92, 94	559 4703 13 Inner Foot	98
559 4308 13 Inner Foot	92	559 4712 09 Inner Foot	99
559 4309 13 Inner Foot	94	559 4713 09 Inner Foot	99
559 4311 09 Inner Foot	91	559 4714 09 Inner Foot	99
559 4314 13 Inner Foot	93	559 4715 09 Inner Foot	99
559 4402 13 Needle Plate	98, 99	559 6038 59 Ventil assy	80, 81
559 4403 13 Needle Plate	98, 99	559 6040 59 Cable assy	80
559 4404 13 Needle Plate	98, 99	559 6041 59 Cable assy	81
559 4405 13 Needle Plate	98, 99	559 6042 59 Cable	81
559 4502 13 Feed Dog	98, 99	559 6200 59 Cable	76

INDEX - PARTS OF SEWING MACHINE

PART NUMBER	PAGE	PART NUMBER	PAGE
559 6896 59 Button	83	559 9046 10 Spring	39
559 6897 59 Switch	83	559 9051 16 Steel plate	85
559 6898 59 Knob	83	559 9052 11 Roller holer	85
559 6899 59 Switch	83	559 9053 11 Roller	85
559 7016 09 Holder assy	20	559 9054 10 Roller shaft	85
559 7017 10 Magnet stripe	22	559 9055 16 Roler cover	85
559 7018 09 Foot distance sensor assy	16	559 9074 13 Feed Dog	93
559 7021 09 Assy	22	559 9075 13 Stitch Plate	93
559 7023 09 Steel plate with roll assy	85	559 9100 59 Motor	83
559 7035 09 Bobbin thread monitoring kit (1-Needle)	80	559 9139 09 Light clamp cable with thermal pad (1-Needle)	12
559 7036 09 Maintenance unit	71, 80, 81, 82, 86	559 9141 09 Light cable with thermal pad (2-Needle)	13
559 7037 09 Bobbin thread monitoring kit (2-Needle)	81	559 9162 09 Rod assy	83
559 7050 16 Limit plate	76	559 9500 00 Edge trimmer complete	82
559 7053 10 Knife	39	559 9501 15 Cover	83
559 7054 03 Safety catch	65	559 9502 10 Mounting plate	83
559 7056 13 Carrier	82	559 9503 10 Rail mounting plate	83
559 7058 09 Puller base plate assy with counterroller	85	559 9507 10 Long connecting rod	83
559 7111 10 Thread guide plate	37	559 9508 10 Bushing	83
559 7900 00 Edge trimmer assy	82, 83	559 9509 10 Pendulum	83
559 9007 10 Soft spring	59	559 9510 10 Bushing	83
559 9008 10 Standard spring	59	559 9511 10 Connecting pin	83
559 9029 09 Guide short cutter assy	39	559 9512 10 Pendulum shaft	83
559 9030 10 Spring	77	559 9513 10 Swing rod support	83
559 9044 34 Heat transfer pad	12, 13, 62	559 9514 10 Guide frame	83

INDEX - PARTS OF SEWING MACHINE

PART NUMBER	PAGE	PART NUMBER	PAGE
559 9519 10 Upper knife	83	559 9560 16 Control box	83
559 9520 10 Knife clamp	83	559 9561 59 Control box	82
559 9521 10 Plate	83	559 9562 13 Angle	83
559 9522 10 Needle bar	82	559 9563 13 Holder	83
559 9523 10 Stitch plate	95	559 9564 13 Holder	83
559 9524 10 Inner Foot	95	559 9568 13 Carrier	83
559 9525 10 Feed Dog	95	559 9572 09 Maintenance unit assy	82
559 9527 10 Connecting pin	83	2154 (KWS KS4-1/4-A) Coupling plug	86
559 9528 10 Bottom knife	95	153002 (QS-1-8-6) Coupling plug	86
559 9529 10 Thread guide	82	531772 Sealing ring	86
559 9530 10 Bolt	83	03210810 L-connector	86
559 9531 10 Angle	83	B B966234009 Spring	47
559 9532 10 Screw	95	B966235009 Shell	47
559 9533 10 Bolt	83	B-GEM-6-M5-MSv-bl Connection	73
559 9535 09 Outer Foot	95	BX85720609 Screw	47
559 9539 10 Guide	82	BX85728009 Pipe	56
559 9541 10 Guide slider	83	BX85729009 Oil pipe	40
559 9542 10 Collar	83	BXF7055909 Clamp spring	40, 56
559 9543 10 Stich plate	95	BXF7060009 Oil pipe	56
559 9544 10 Stitch plate	95	B-YV-2x4-4-KU Y-Connector	81
559 9545 10 Plate	95	C C144588201 Thread tension spring (C)	12
559 9553 09 Carrier assy	83	C144588301 Thread tension spring (B)	12
559 9554 09 Carrier assy	83	CN-M3-PK2 Barbed fitting	80
559 9558 13 Cutter seat	83	CSA 3538 001 Screw	84, 85
559 9559 13 Cutter base bracket	83		

INDEX - PARTS OF SEWING MACHINE

PART NUMBER	PAGE	PART NUMBER	PAGE
D		S150209012 M4x45	83
D-117 A	75, 76	Screw	
Spring		S150209033	83
D-194	20	Screw	
Soft spring		S150209058 M6x20	83
D-222 E	20	Screw	
Low pressure spring		S150209239 M4x6	82
D 247D 05	74	Screw	
Spring		S150212019 M4x10	83
G		Screw	
GN 6336.4-ST-32-M6-45	74	S150232005	20
Knurled screw		Screw	
H		S150232025 M3x5	83
H1P-N66-NA-M1	56	Screw	
Clamp		S150232028 M4x5	83
H3P-N66-NA	78, 79	Screw	
Clamp		S150232062	83
K		Screw	
KG-AA	70	S150232072 M5x16	83
Edge guide (43mm)		Screw	
KG-AB	70, 75, 76	S150232079 M4x10	83
Edge guide (30mm)		Screw	
KG-B14	70	S150232093 M3x12	83
Roller Ø 14mm		Screw	
KG-BZ	70	S150232126 M6x30	83
Edge guide (24mm)		Screw	
KG-S04	70	S150232136 M3x8	83
Roller Ø 4mm		Screw	
KG-S11	70	S150232140 M5x12	83
Roller Ø 11mm		Screw	
M		S150232142 M4x6	83
MB3A -N66-NA-C1	56	Screw	
Self cable tie		S150232161 M4x18	83
O		Screw	
O-Ring	39	S150513001	83
5x2		Nut	
P		S150513001 M4	83
PUN-4x2-SW	80, 81, 86	Nut	
Tube		S150607009	83
PUN-6x4-SW	80, 81, 86	Washer	
Tube		S150622011	83
Q		Washer	
QT0000044	88	S151004003	64
Safety Sticker		Hexagonal wrench s=3	
R		S151004004	64
Roller bearing	52	Hexagonal wrench s=4	
K18x22x13		S151004005	64
S		Hexagonal wrench s=5	
S150201003	19, 82		
Screw			

INDEX - PARTS OF SEWING MACHINE

PART NUMBER	PAGE	PART NUMBER	PAGE
S151004010 Hexagonal wrench s=1,5	64		
S151004012 Hexagonal wrench s=2,5	64		
S151204016 O - Ring 3.5×1.2	40		
S151204067 Y-connector (2-Needle)	55		
S151204068 Y-connector (2-Needle)	55		
S151204070 L-connector (2-Needle)	55		
S151204258 Guide assembly	83		
S151204259 Cylinder	83		
S151204260 Switch	83		
S151204261 Cylinder	82		
S151204281 Rubber seal	56		
SuS 6346 Oil can with 0,4l oil	64		
W			
W060302001 Oil can small (empty)	64		
W060401017 Screw Driver L	64		
W060401023 Screw Driver S	64		
WAI-KO-1/4-12-M Maintenance unit	86		
WAI-ZUB-BW-0 Angle	86		
WN56 - 5x30 Screw	65		
WN56 - 6x30 Screw	65		

INDEX - PARTS OF SEWING MACHINE



VETRON TYPICAL EUROPE GmbH

Clara-Immerwahr-Str. 6
67661 Kaiserslautern, Germany
Tel.: +49 6301 320 75-0
Fax: +49 6301 320 75-11

info@vetrontypical.com
www.vetrontypical.com