



# VETRON

## » PARTS LIST

05/2022

### STANDARD 5064 | 5164

- » -2025
- » -2325
- » -3045
- » -3345

© **VETRON | TYPICAL GmbH**

Clara-Immerwahr-Str. 6  
67661 Kaiserslautern, Germany

Tel.: +49 6301 320 75-0

Fax: +49 6301 320 75-11

info@vetrontypical.com

www.vetrontypical.com

**All rights reserved.**

The instructions for use, service instructions, parts lists are protected by copyright. Any reuse of the content outside the copyright is without the written consent of VETRON | Typical GmbH inadmissible and punishable.

VETRON | Typical GmbH is only liable for damage caused by intent or gross negligence on the part of the manufacturer. Moreover, liability is excluded.

**Reserve technical changes!**

The contents were carefully prepared and checked by the publisher. Due to continuous developments, illustrations, functional steps and technical data may differ slightly.

**Updating the documentation**

If you have suggestions for improvement or have detected any irregularities, please contact us.

 The documents for the machines can be accessed by logging on <https://www.vetrontypical.com/> downloaded for free.



<b>04</b>	<b>GENREAL ADVICE</b>	
<b>05</b>	<b>OVERVIEW</b>	
	ULTRASONIC WELDING	
<b>07</b>	<b>01. HEAD MODULE</b>	
	557 140 000 (Ø 25mm) // 557 141 000 (Ø 45mm)	
<b>17</b>	<b>02. FRAME MODULE</b>	
	STANDARD 557 005 000 (Ø 25mm) // 557 006 000 (Ø 45mm)	
	LONGARM 557 007 000 (Ø 25mm) // 557 008 000 (Ø 45mm)	
<b>19</b>	<b>03. TECHNOLOGY MODULE</b>	
	TITAN SONOTRODE 557 241 000 // STEEL SONOTRODE 557 242 000	
<b>23</b>	<b>04. ELECTRONIC PARTS</b>	
<b>31</b>	<b>05. ULTRASONIC ACCESSORIES</b>	
<b>49</b>	<b>06. TABLE STAND</b>	
<b>51</b>	<b>INDEX - ULTRASONIC WELDING</b>	

# GENREAL ADVICE

At the time of printing, all information and illustrations in this document were up-to-date.

Technical changes without prior notice!

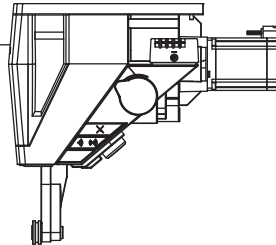


## NOTE!

- » Please take note of, we will not be liable for spare parts and accessories, not purchased from us. These parts were neither examined by us, nor released. Consequently, the installation or use of these products can have a negative influence on features and your workflow of the machine.
- » We accept no liability for any damage caused by the use of non-original parts.
- » Parts which are boxed have a underlined number.  
These parts have a assembly part number!
- » The part numbers in the box can be seperately ordered.
- » Parts with a ★ means this part is new designed. The previous version is found at the end of the chapter. After consumption they will no longer be available.

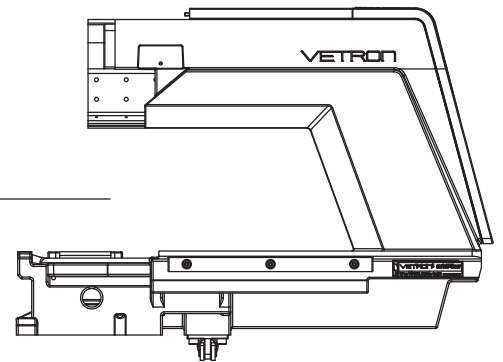
## 01. HEAD MODULE

557 140 000 // 557 141 000  
p. 07



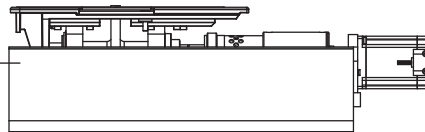
## 02. FRAME MODULE

557 005 000 // 557 006 000  
557 007 000 // 557 008 000  
p. 17



## 03. TECHNOLOGY MODULE

557 241 000 // 557 242 000  
p. 19



## 04. ELECTRONIC PARTS

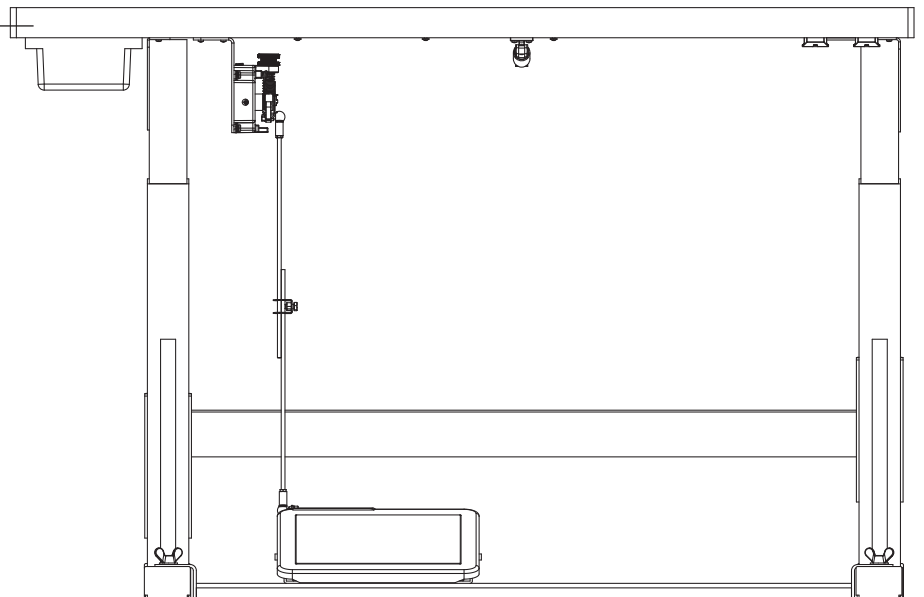
p. 23

## 05. ULTRASONIC ACCESSORIES

p. 31

## 06. TABLE STAND

p. 49





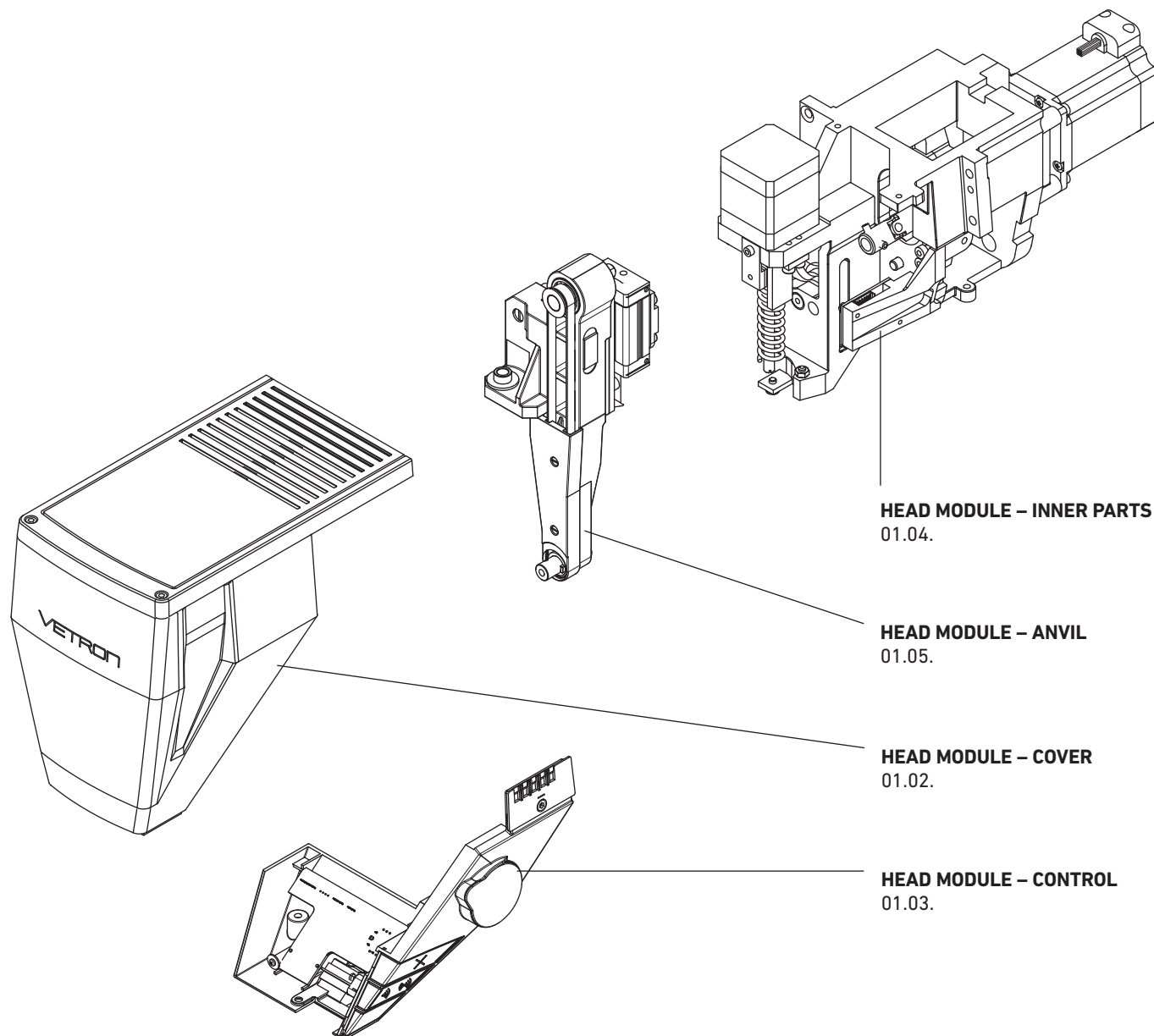
# 01. HEAD MODULE

557 140 000 (Ø 25mm) // 557 141 000 (Ø 45mm)

<b>08</b>	<b>01. OVERVIEW</b>	<hr/>
<b>09</b>	<b>02. COVER</b>	<hr/>
<b>10</b>	<b>03. CONTROL 559 2080 09</b>	<hr/>
<b>11</b>	<b>04. INNER PARTS ONLY 557 140 000 (Ø 25mm)</b>	<hr/>
<b>12</b>	<b>04.01. INNER PARTS ONLY 557 141 000 (Ø 45mm)</b>	<hr/>
<b>13</b>	<b>04.02. INNER PARTS 557 140 000 (Ø 25mm) // 557 141 000 (Ø 45mm)</b>	<hr/>
<b>14</b>	<b>05. ANVIL 559 2188 09 (Ø 25mm) // 559 2144 09 (Ø 45mm)</b>	<hr/>
<b>15</b>	<b>05.01. ANVIL 559 2188 09 (Ø 25mm) // 559 2144 09 (Ø 45mm)</b>	<hr/>

# 01. HEAD MODULE

## 01. OVERVIEW



**HEAD MODULE – INNER PARTS**  
01.04.

**HEAD MODULE – ANVIL**  
01.05.

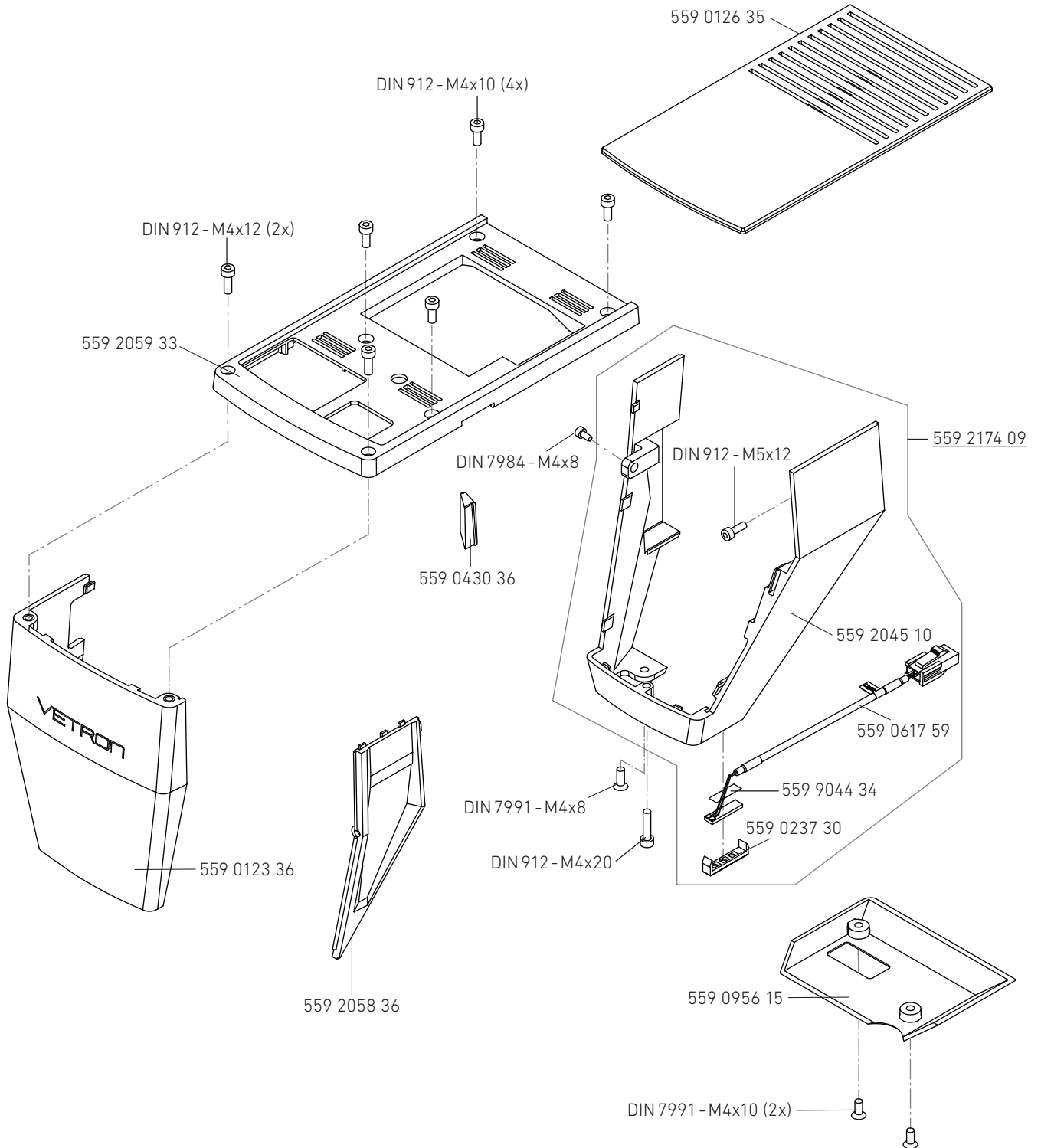
**HEAD MODULE – COVER**  
01.02.

**HEAD MODULE – CONTROL**  
01.03.



# 01. HEAD MODULE

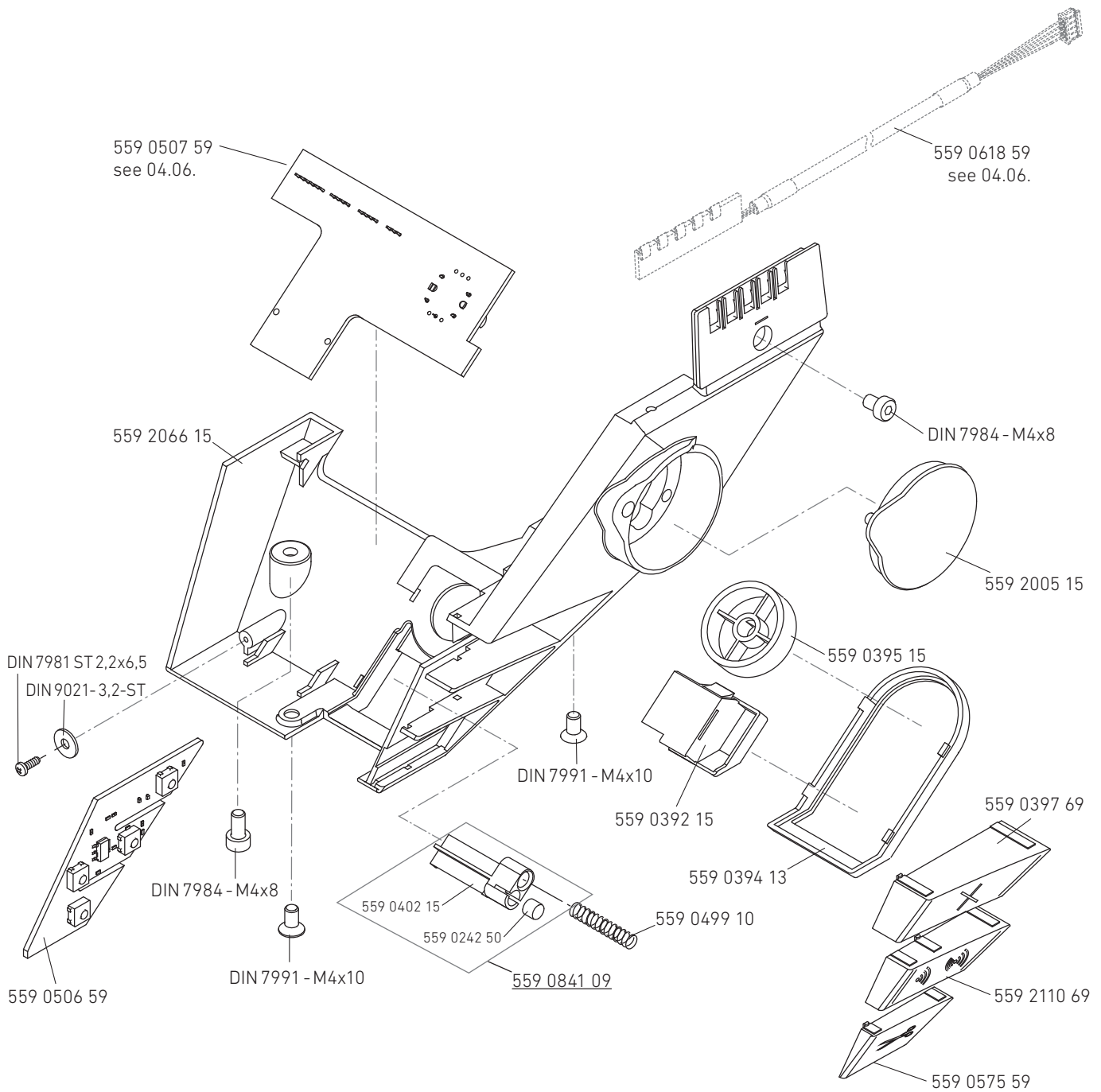
## 02. COVER



# 01. HEAD MODULE

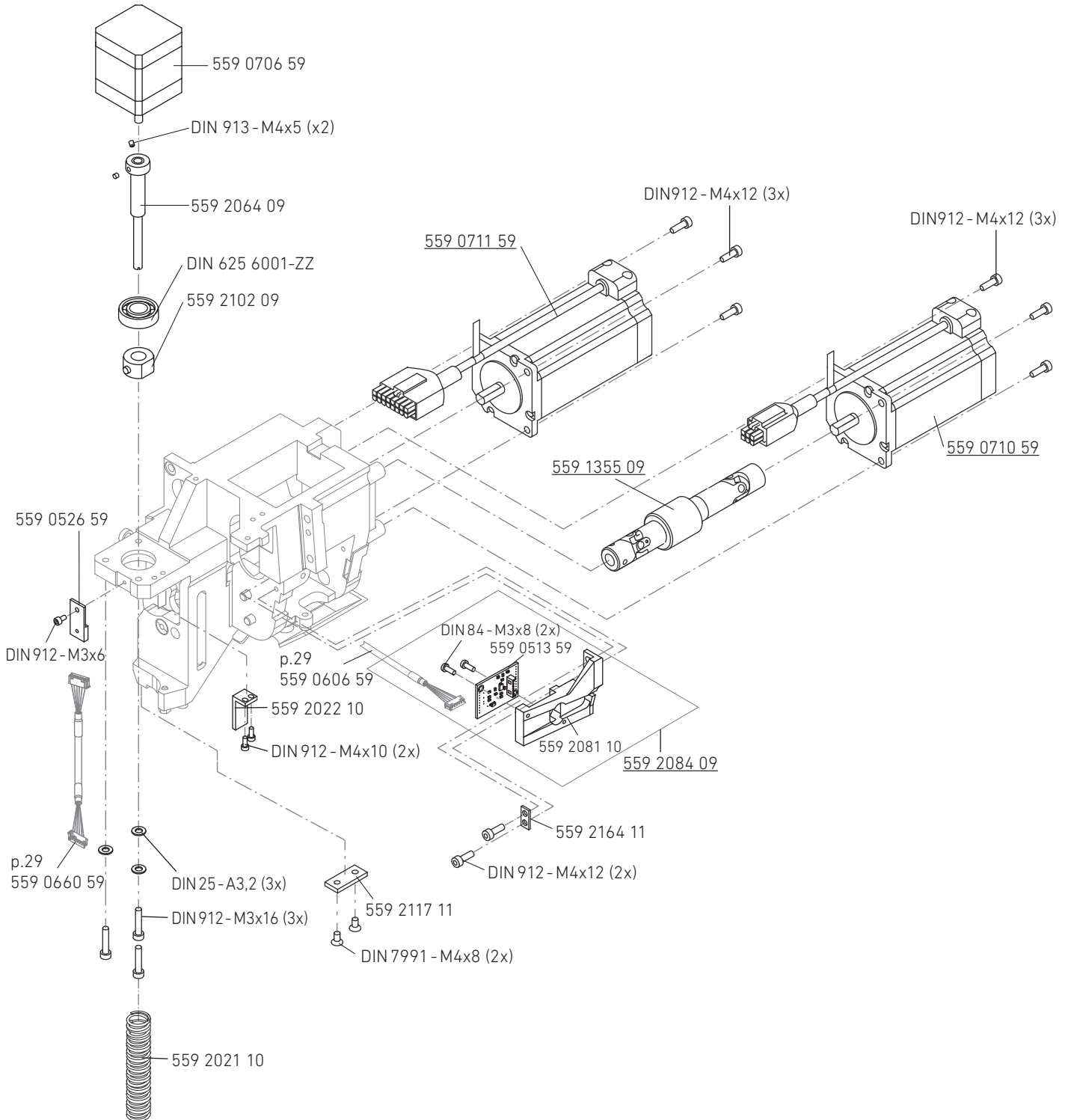
03. CONTROL 559 2080 09

! Cable of the 559 0507 59 Head-Base PCB can be found in chapter 04.06. Electronic Parts on page 29



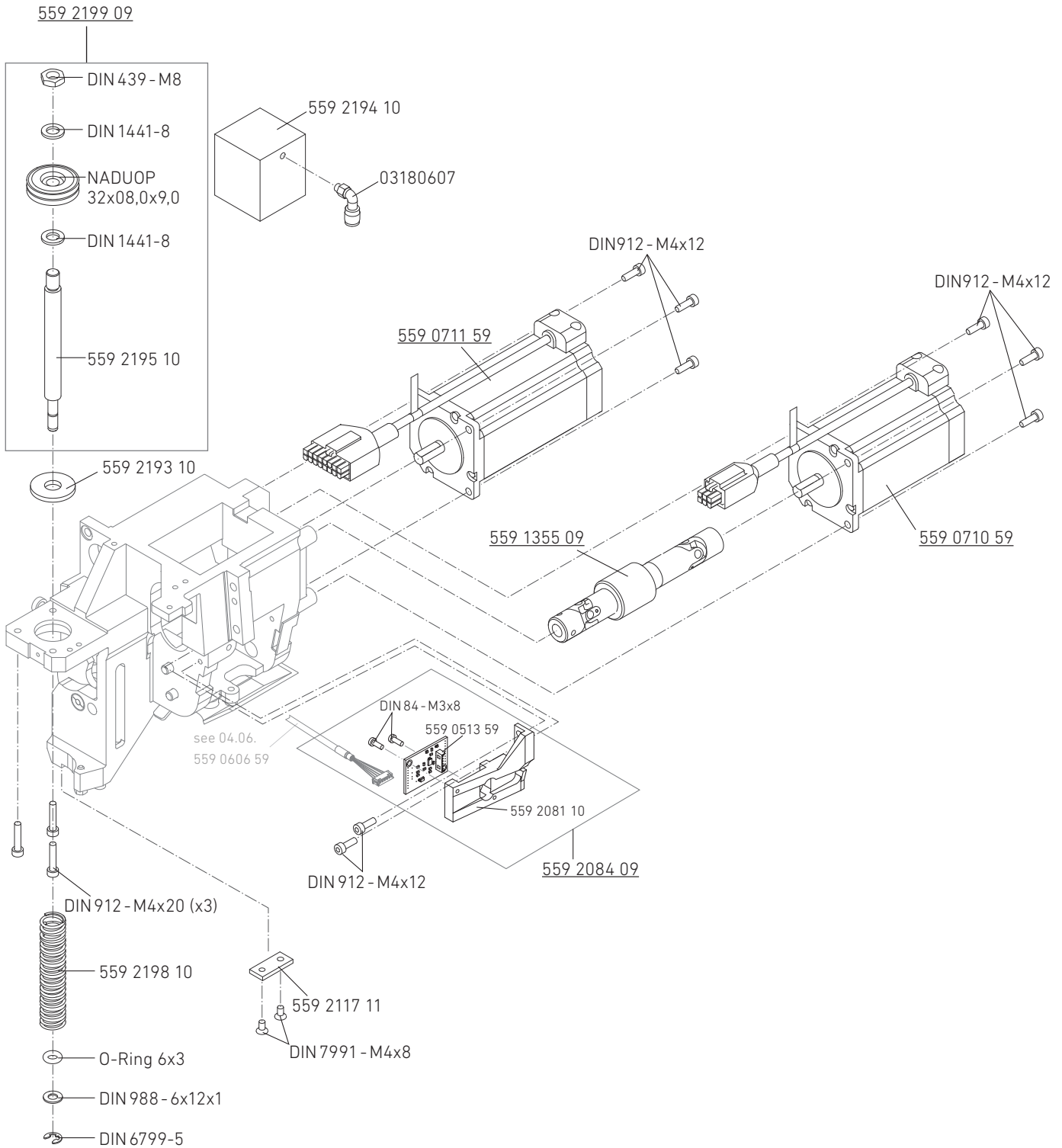
# 01. HEAD MODULE

04. INNER PARTS ONLY 557 140 000 (Ø 25mm)



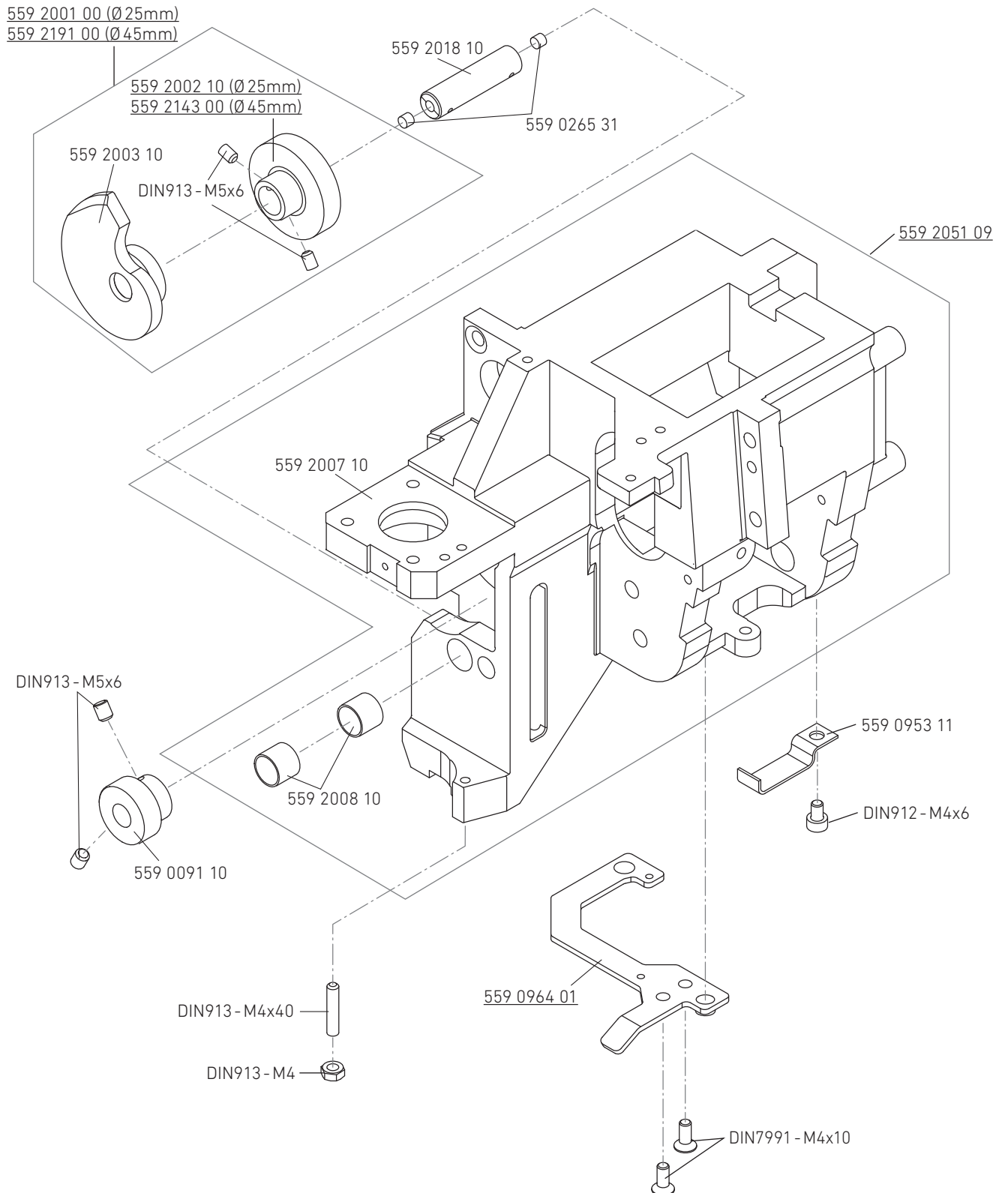
# 01. HEAD MODULE

04.01. INNER PARTS ONLY 557 141 000 (Ø45mm)



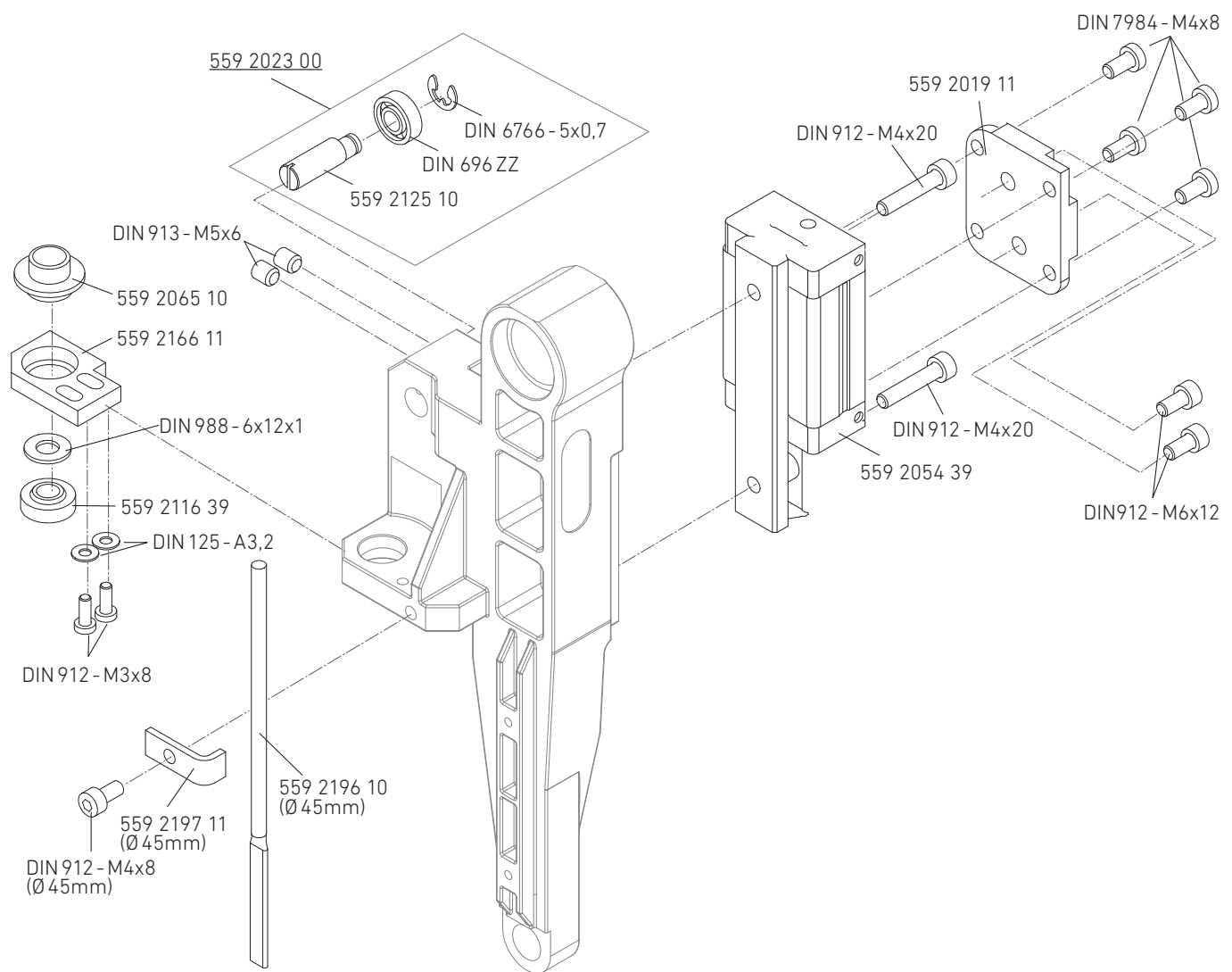
# 01. HEAD MODULE

04.02. INNER PARTS 557 140 000 (Ø25mm) // 557 141 000 (Ø45mm)



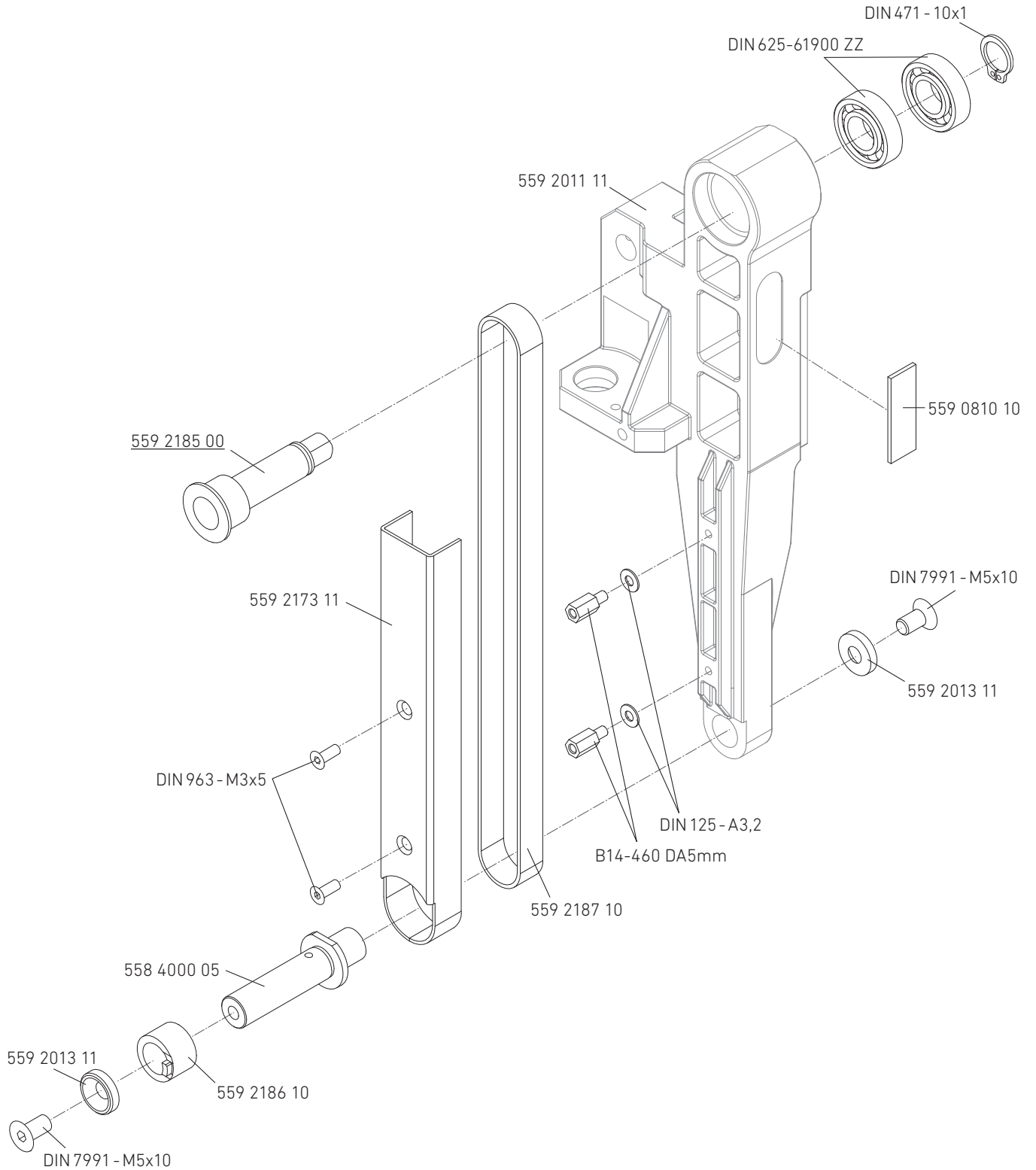
# 01. HEAD MODULE

05. ANVIL 559 2188 09 (Ø25mm) // 559 2144 09 (Ø45mm)



# 01. HEAD MODULE

05.01. ANVIL 559 2188 09 (Ø 25mm) // 559 2144 09 (Ø 45mm)



# 01. HEAD MODULE

---



## 02. FRAME MODULE

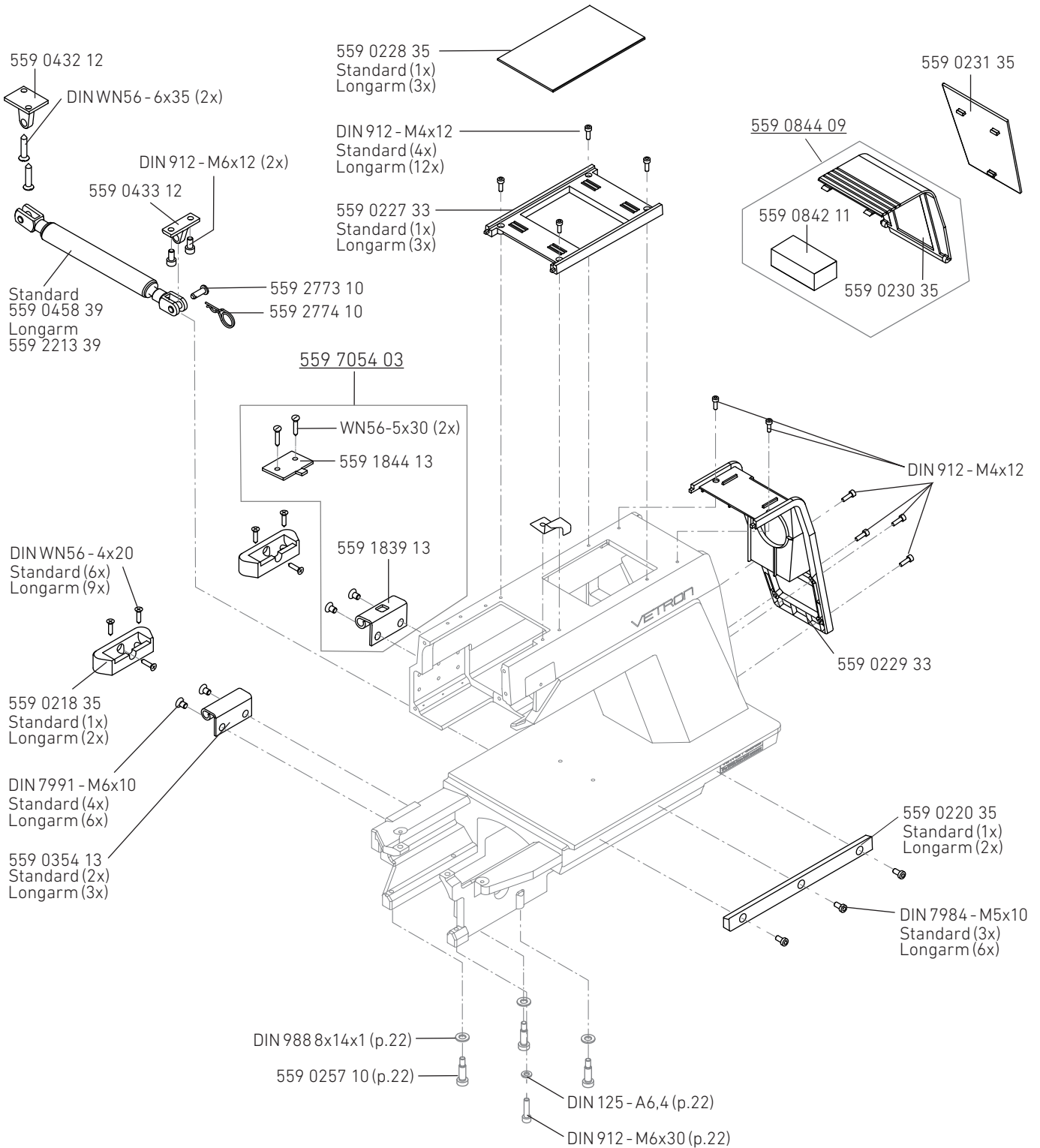
STANDARD 557 005 000 (Ø 25mm) // 557 006 000 (Ø 45mm)  
LONGARM 557 007 000 (Ø 25mm) // 557 008 000 (Ø 45mm)

- 18** **01.** STANDARD 557 005 000 (Ø 25mm) // 557 006 000 (Ø 45mm)  
LONGARM 557 007 000 (Ø 25mm) // 557 008 000 (Ø 45mm)
- 
-

# 02. FRAME MODULE

01. STANDARD 557 005 000 (Ø 25mm) // 557 006 000 (Ø 45mm)

LONGARM 557 007 000 (Ø 25mm) // 557 008 000 (Ø 45mm)



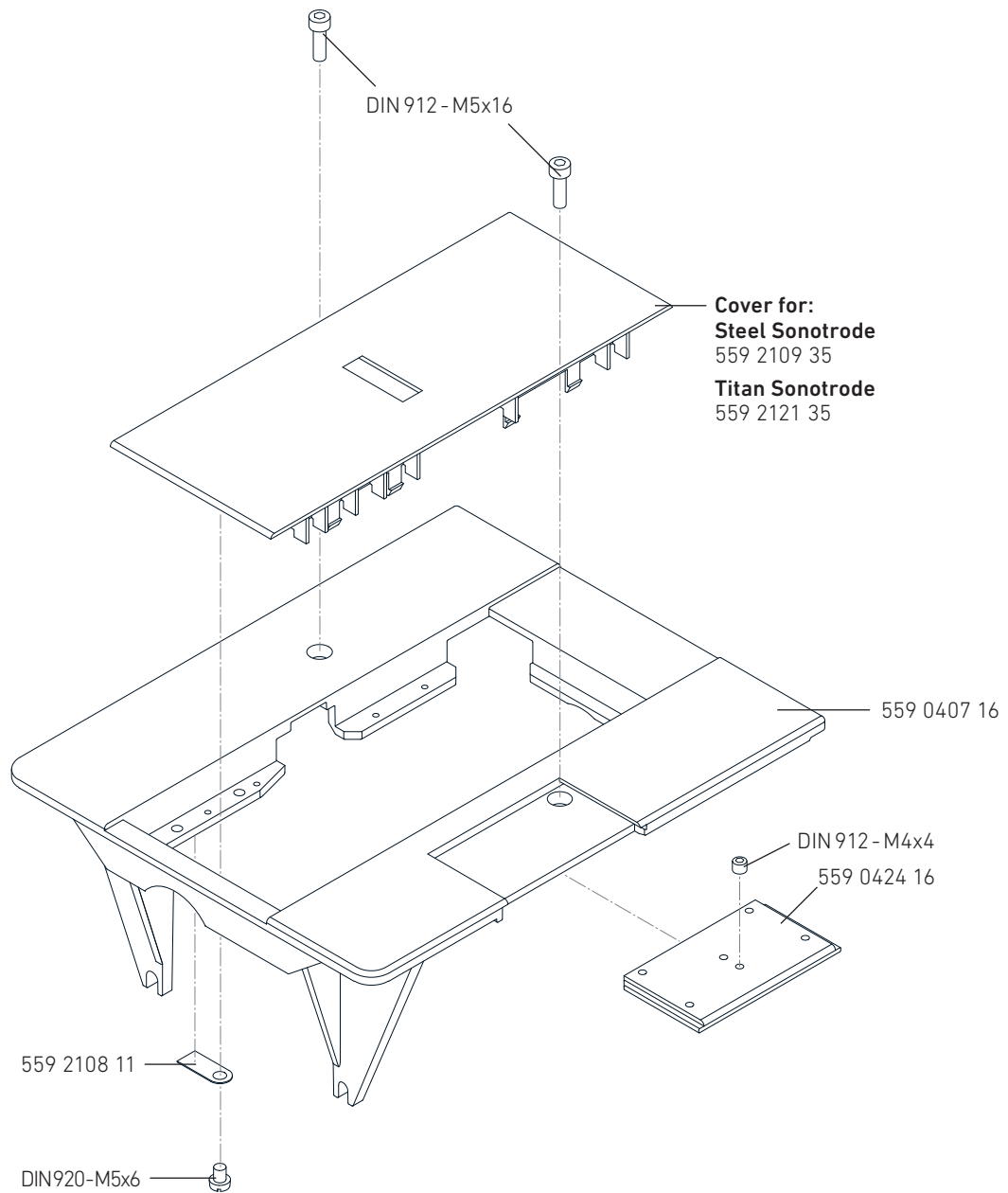
# 03. TECHNOLOGY MODULE

TITAN SONOTRODE 557 241 000 // STEEL SONOTRODE 557 242 000

<b>20</b>	<b>01. COVER</b>	<hr/>
<b>21</b>	<b>02. PULLER BASE PLATE ASSY WITH COUNTERROLLER - 559 3750 09</b>	<hr/>
<b>22</b>	<b>03. TITAN SONOTRODE 557 241 000 // STEEL SONOTRODE 557 242 000</b>	<hr/>

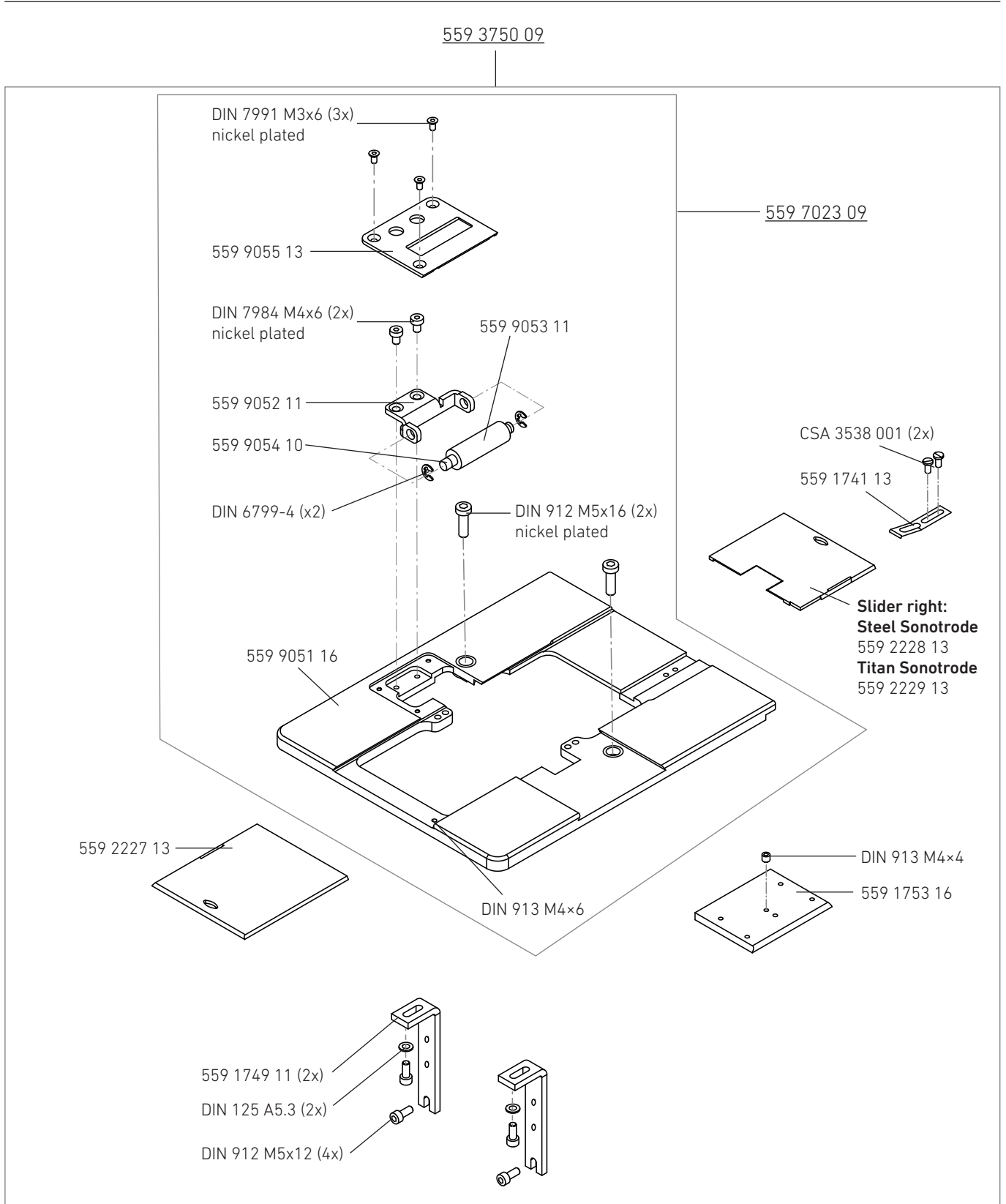
# 03. TECHNOLOGY MODULE

## 01. COVER



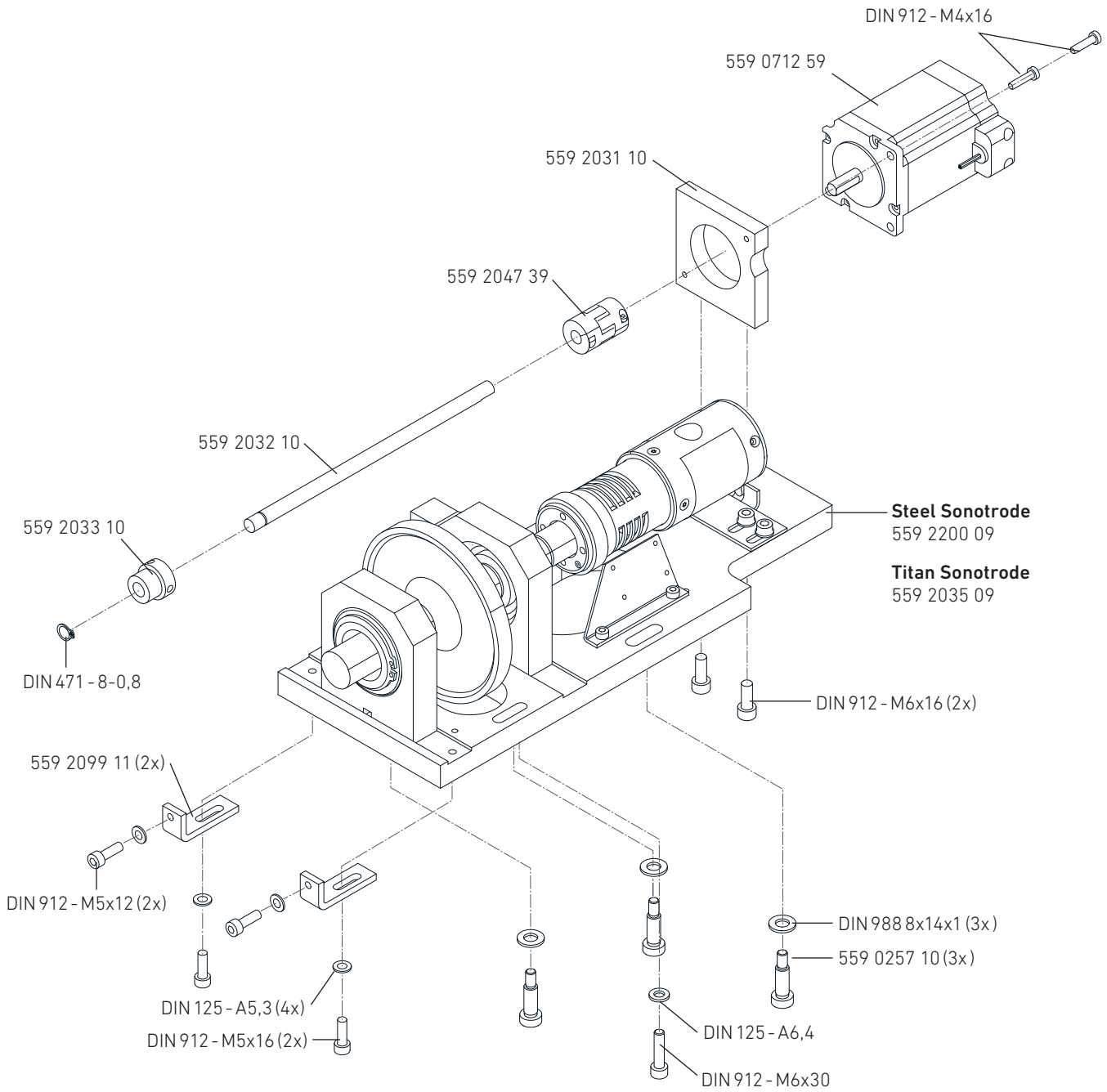
# 03. TECHNOLOGY MODULE

## 02. PULLER BASE PLATE ASSY WITH COUNTERROLLER - 559 3750 09



# 03. TECHNOLOGY MODULE

03. TITAN SONOTRODE 557 241 000 // STEEL SONOTRODE 557 242 000



## 04. ELECTRONIC PARTS

24 **01.** PANEL - 559 0642 59

---

25 **02.** GENERATOR

---

26 **03.** CONTROL BOX - 559 0629 59

---

27 **04.** BACK COVER CONTROL BOX

---

28 **05.** CABLING LIGHT AND FANS

---

29 **06.** CABLING HEAD PCB

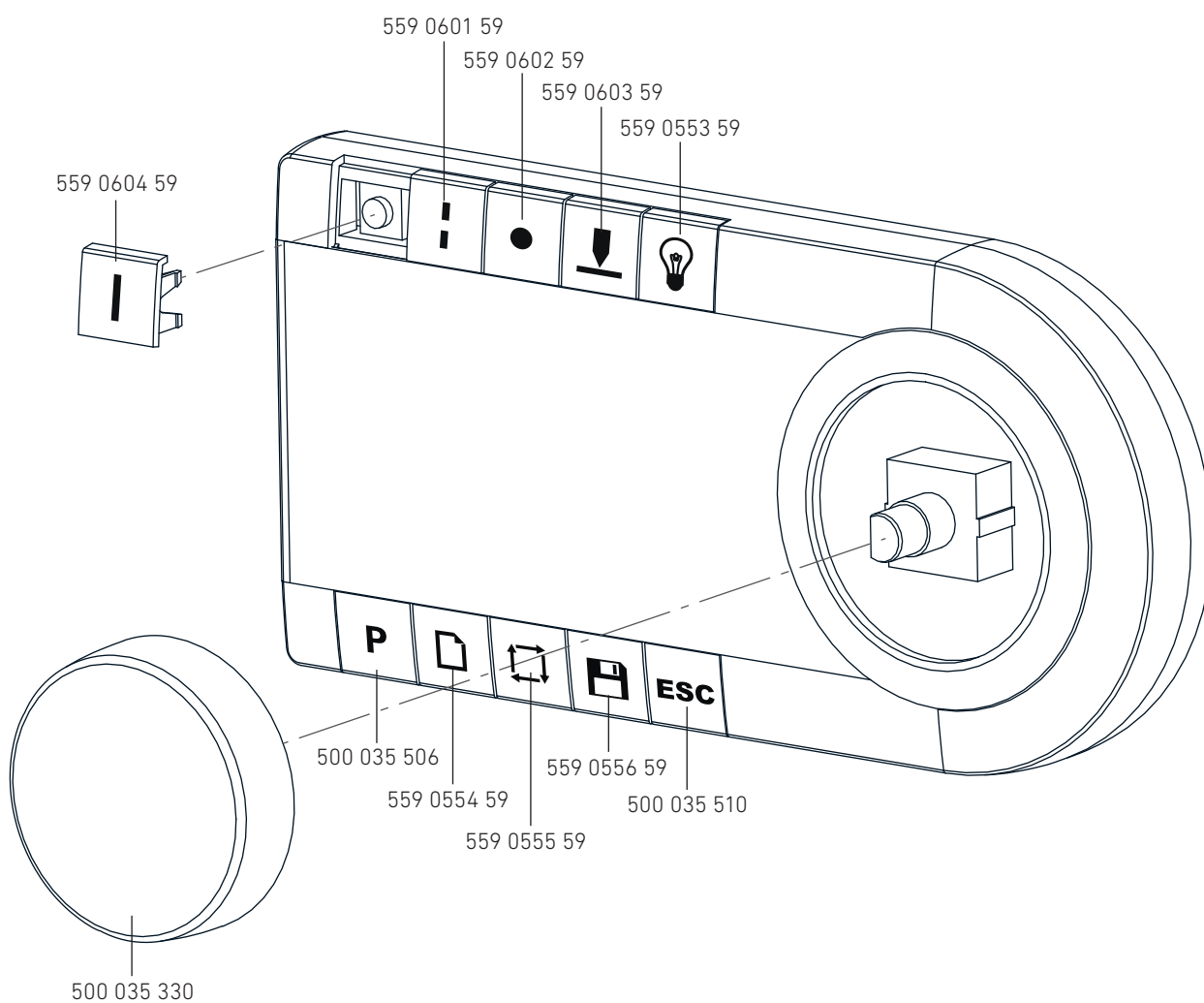
---

30 **07.** PREVIOUS VERSIONS

---

# 04. ELECTRONIC PARTS

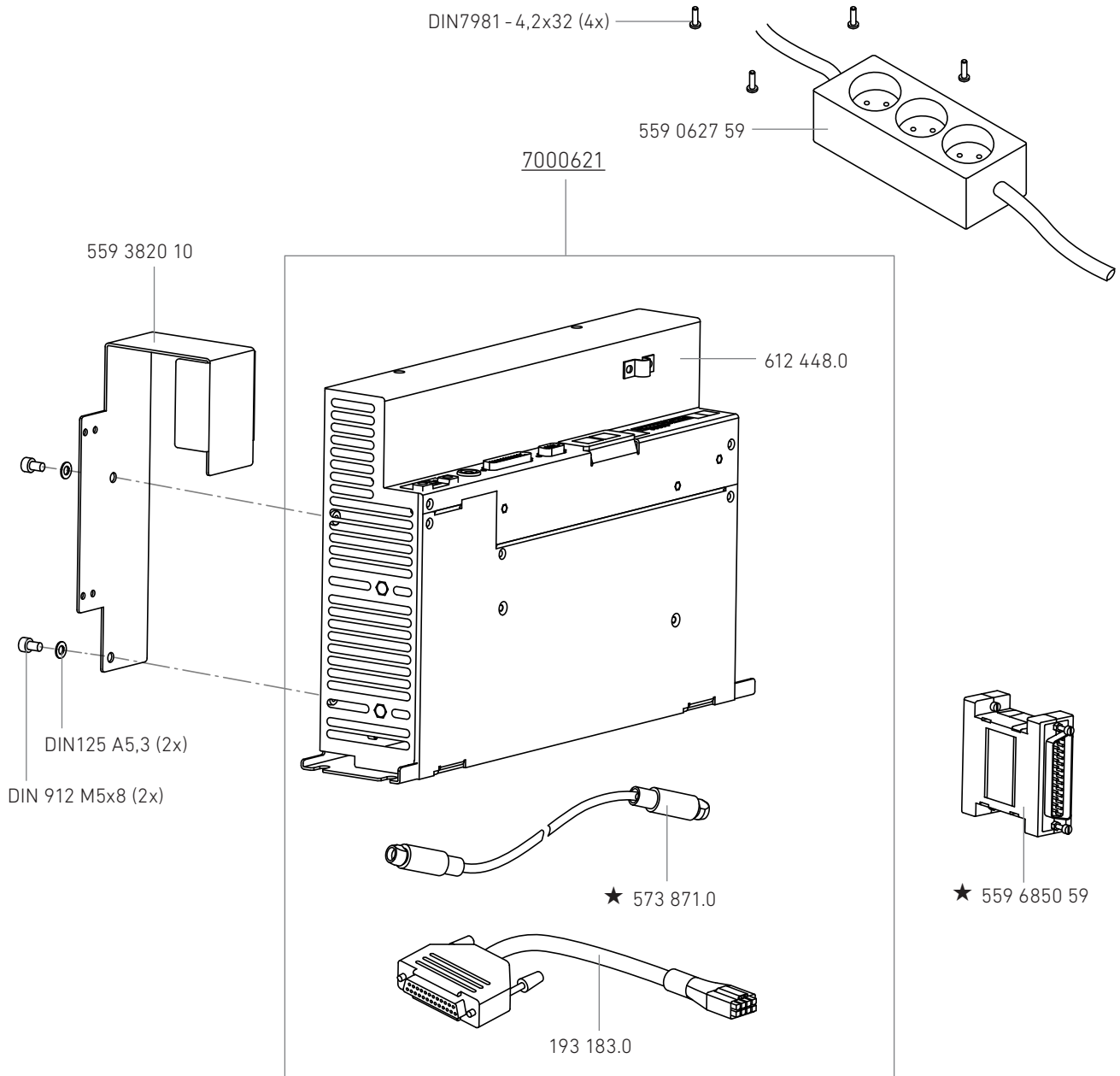
## 01. PANEL - 559 0642 59





# 04. ELECTRONIC PARTS

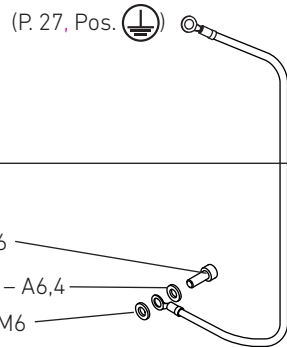
02. GENERATOR



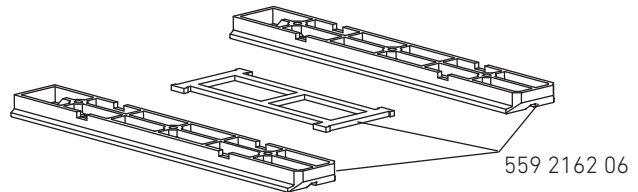
★ New designed. See 04.07. for previous version

# 04. ELECTRONIC PARTS

03. CONTROL BOX - 559 0629 59



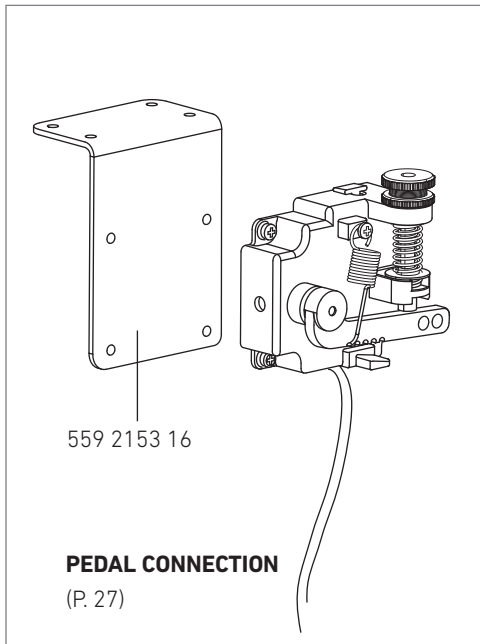
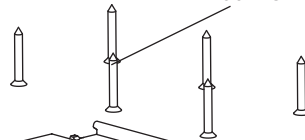
559 0629 59



DIN 7049 – ST 3.5×13 (4x)

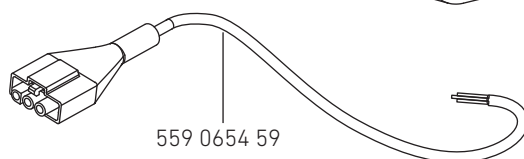
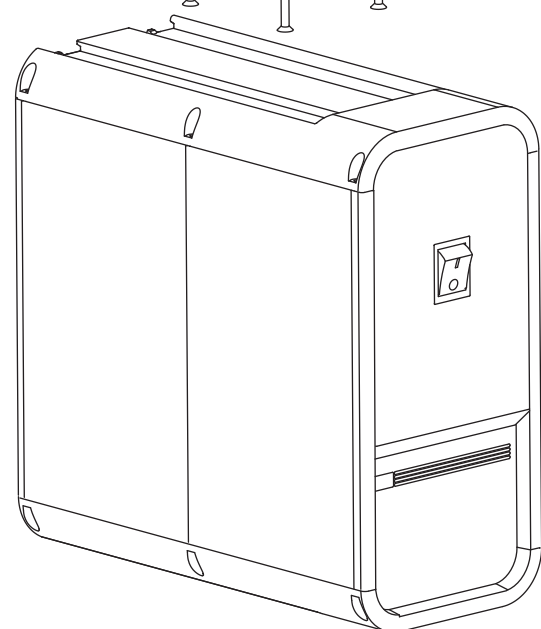


DIN 7983 – ST4,2×32 (6x)



559 2155 09

559 2161 09



# 04. ELECTRONIC PARTS

## 04. BACK COVER CONTROL BOX

- ⊕ 559 0612 59 | p.26

---

- Ⓢ2 Reserve

---

- Ⓢ1 Foot lift Motor | p.XX – 559 0711 59

---

- Ⓟ1 Control Panel | p.29 – 559 0633 59

---

- Ⓟ2 Generator | p.XX – 559 0731 59

---

- Ⓢ4 Anvil Motor | p.XX – 559 0710 59

---

- Ⓢ3 Reserve

---

- Ⓢ6 Sonotrode Motor | p.XX – 559 6036 59

---

- Ⓢ5 Tape Drive | 559 0726 59

---

- POWER** Power | p.26 – 559 0654 59

---

- Ⓜ1 Reserve

---

- Ⓨ1 Reserve

---

- Ⓜ2 Reserve

---

- Ⓨ2 Reserve

---

- Ⓟ4 Reserve

---

- Ⓟ3 Reserve

---

- PEDAL** Pedal | p.26 – 559 2155 59

---

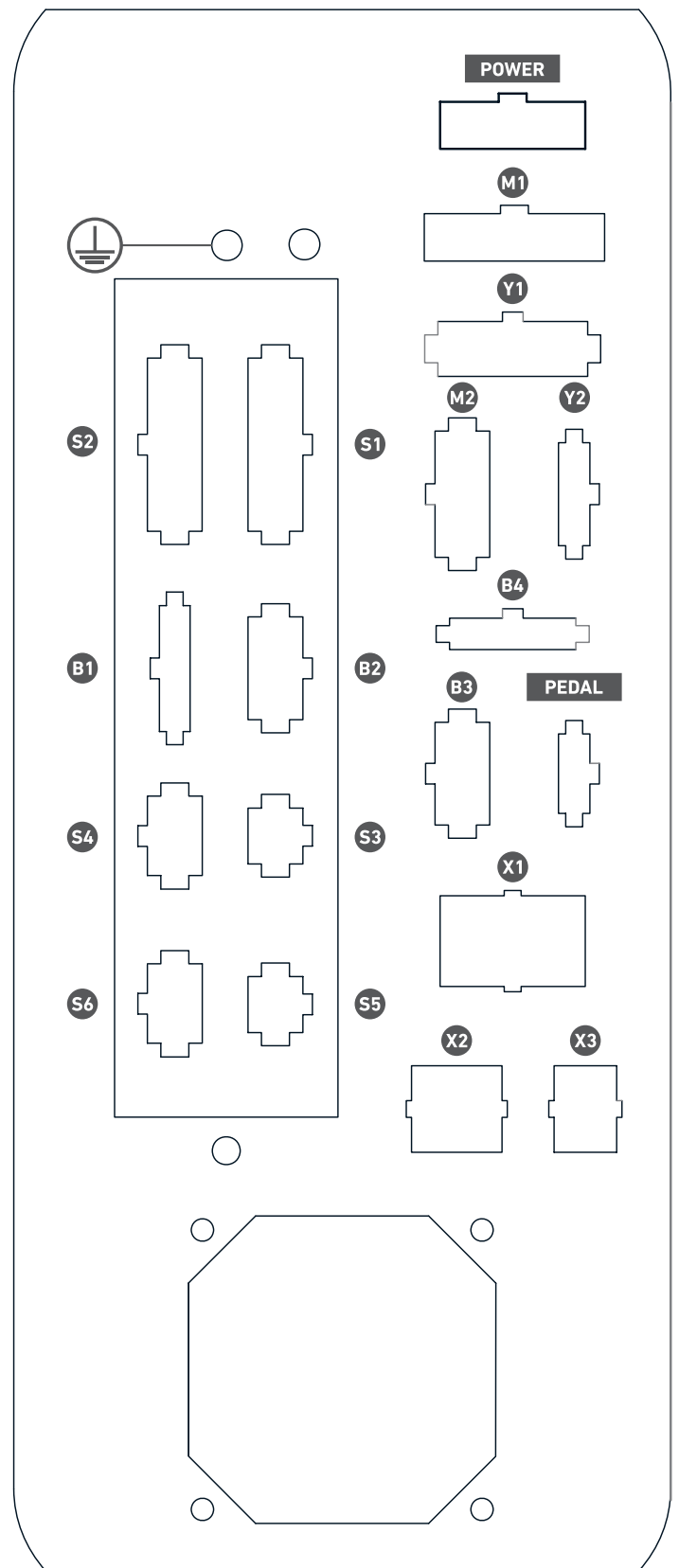
- Ⓧ1 Reserve | p.28– 559 0608 59

---

- Ⓧ2 Reserve

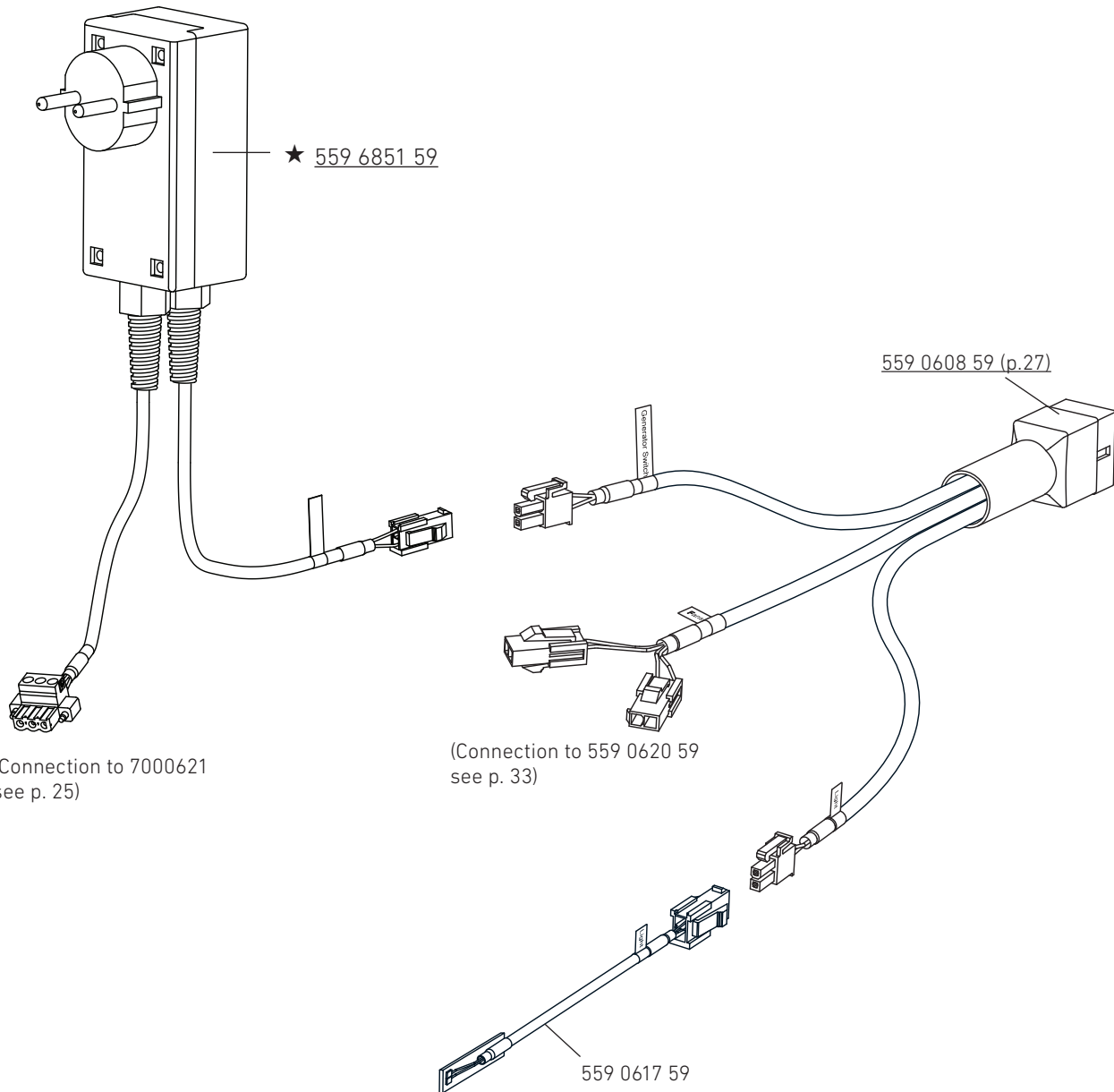
---

- Ⓧ3 Reserve



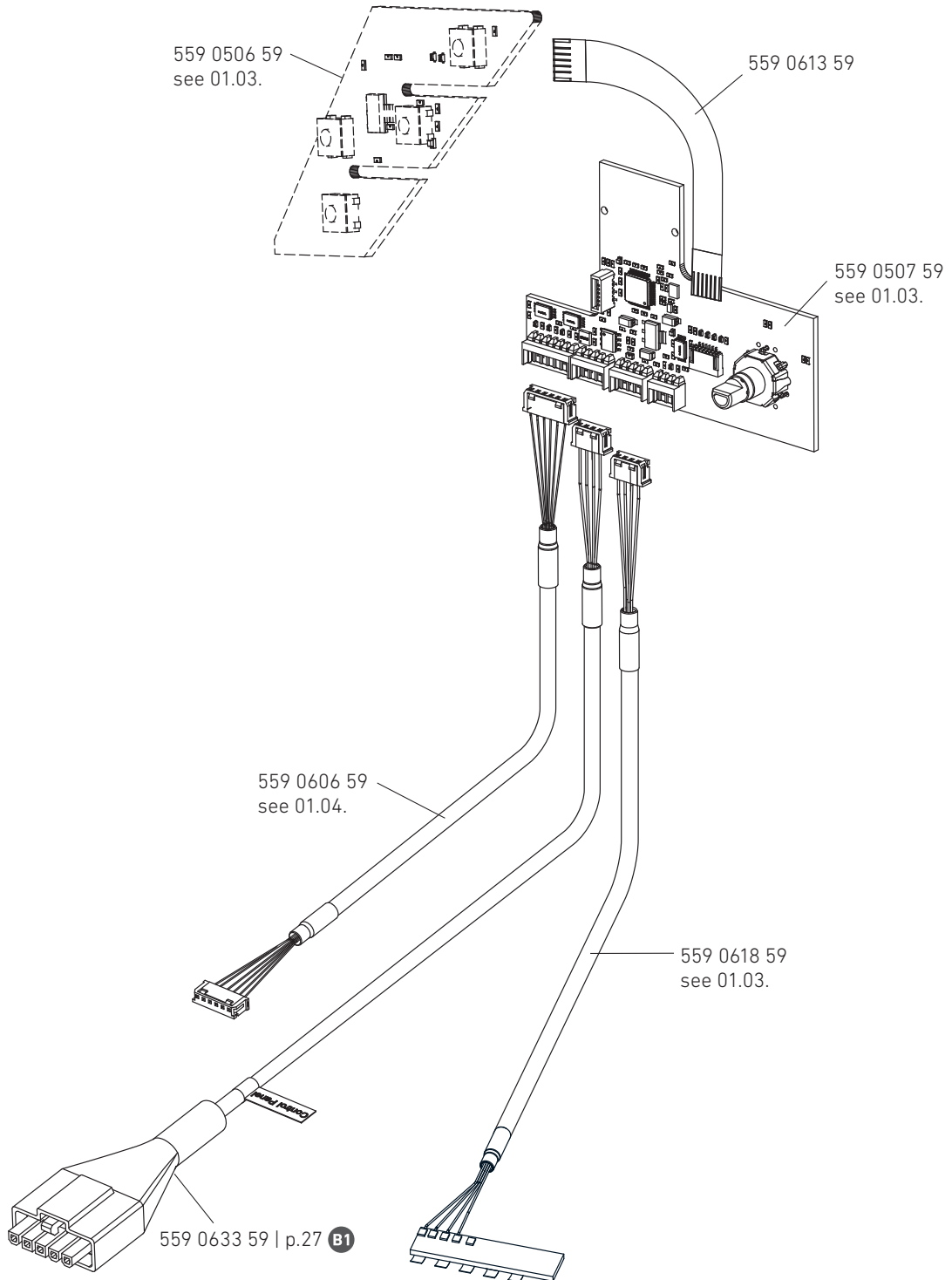
# 04. ELECTRONIC PARTS

## 05. CABLING LIGHT AND FANS



# 04. ELECTRONIC PARTS

## 06. CABLING HEAD PCB




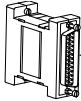
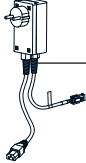
# 04. ELECTRONIC PARTS

## 07. PREVIOUS VERSIONS



**NOTE!**

These parts have been replaced by new designed parts.  
After consumption they will no longer be available.

PREVIOUS VERSION	IS REPLACED BY
 573 871.6	573 871.0 Connecting cable to the Sonotrode
 559 0508 59	559 6850 56
 559 0610 59	559 6851 59

# 05. ULTRASONIC ACCESSORIES

32	<b>01. ACCESSORIES</b>	<hr/>
33	<b>02. SONOTRODE FANS COMPLETE - 559 2124 09</b>	<hr/>
34	<b>03.01. PULLER - AIR - 558 730 000 - Ø 25mm x 16mm // 558 730 001 - Ø 45mm x 26mm</b>	<hr/>
35	<b>03.02. PULLER - AIR - LINEAR GUIDE PULLER ASSY - 559 3045 09</b>	<hr/>
36	<b>04.01. WELDING WHEELS Ø 25mm</b>	<hr/>
41	<b>05.01. WELDING WHEELS Ø 45mm</b>	<hr/>
45	<b>06.01. CUT &amp; UNRUFFED ANVIL WHEEL FOR PULLER FEED</b>	<hr/>

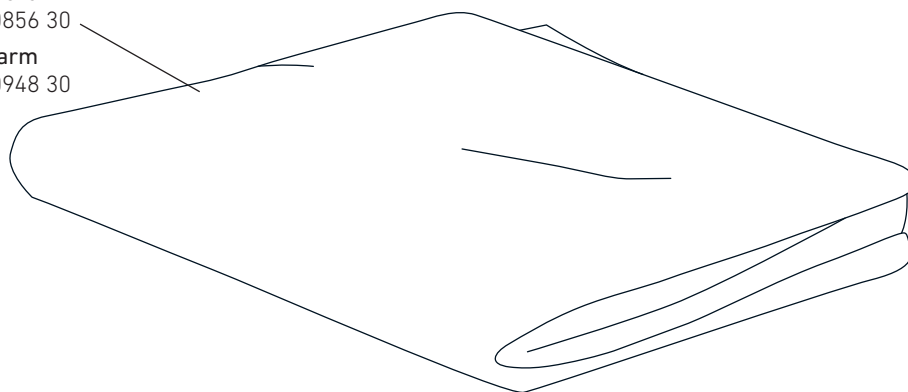
# 05. ULTRASONIC ACCESSORIES

## 01. ACCESSORIES

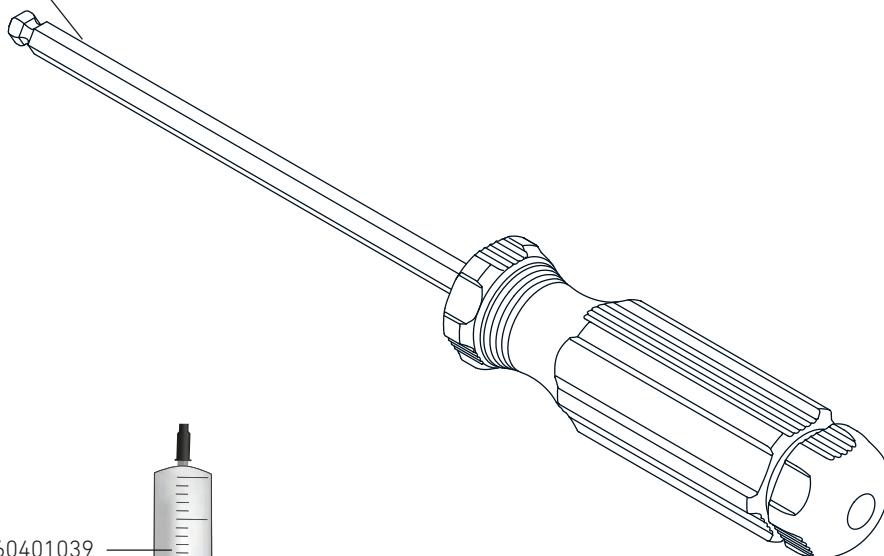
---

Standard  
559 0856 30

Longarm  
559 0948 30



559 2168 39



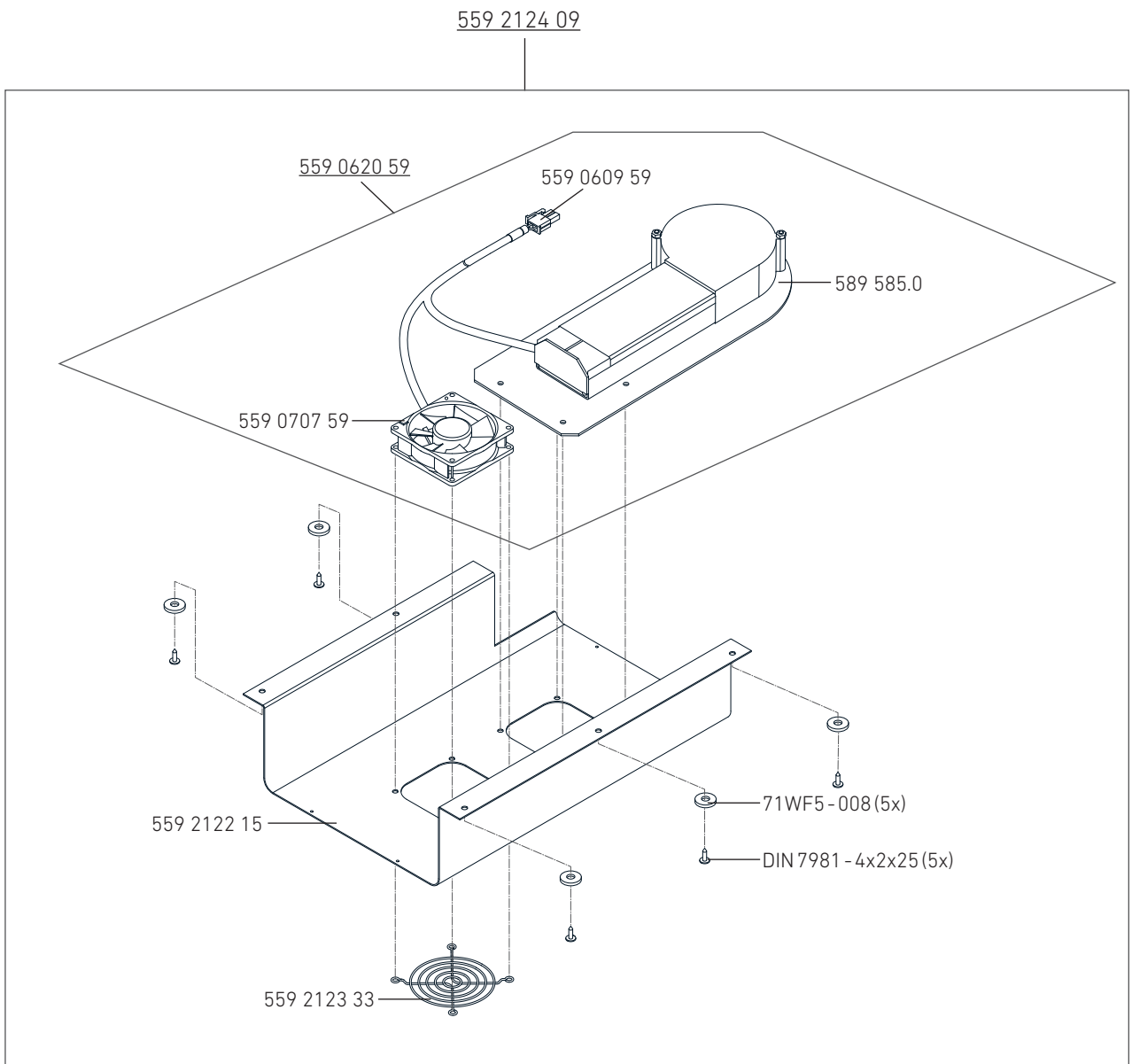
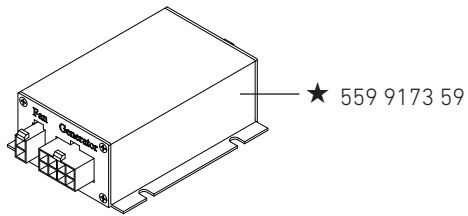
W060401039





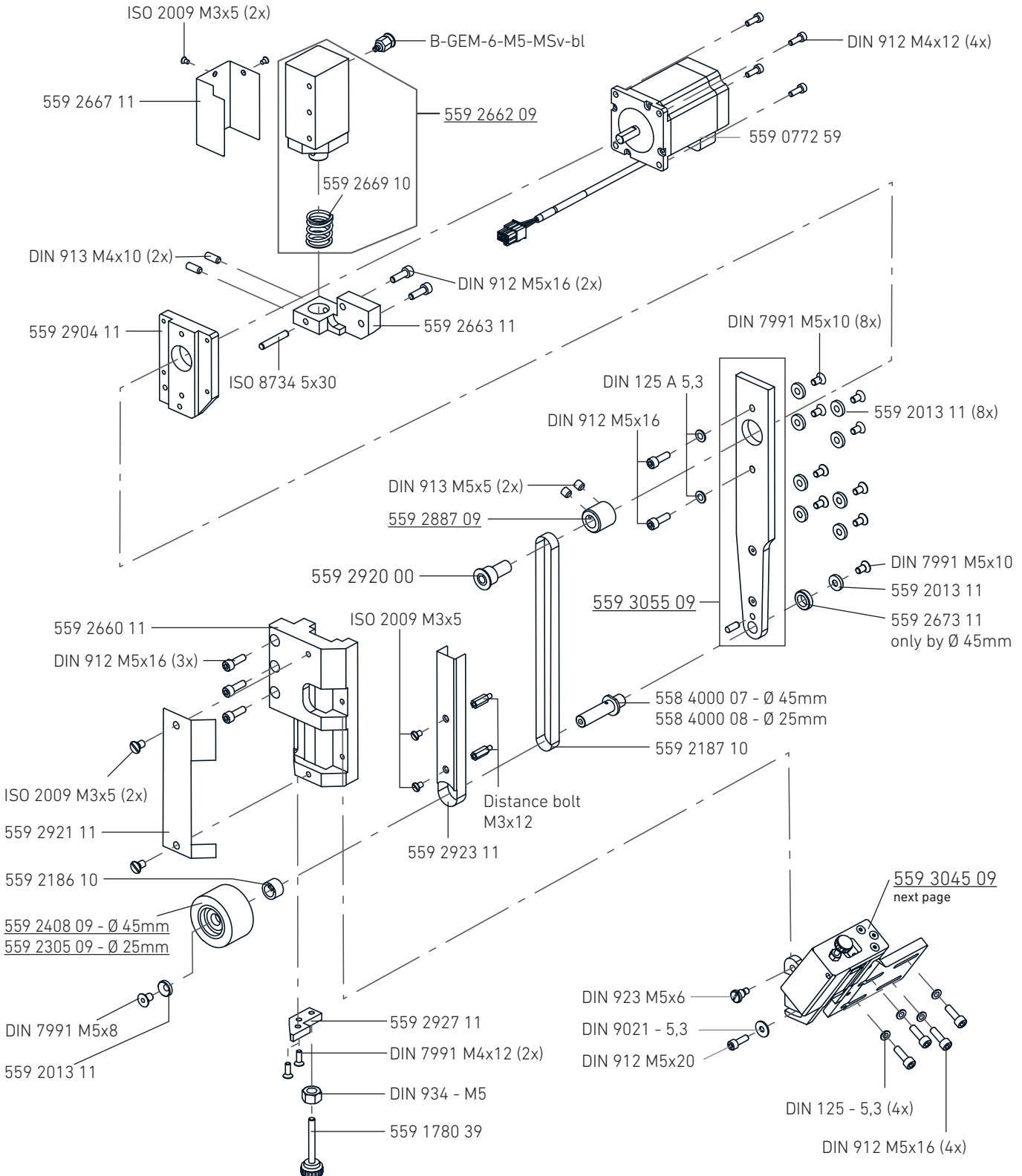
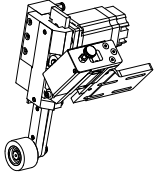
# 05. ULTRASONIC ACCESSORIES

02. SONOTRODE FANS COMPLETE - 559 2124 09



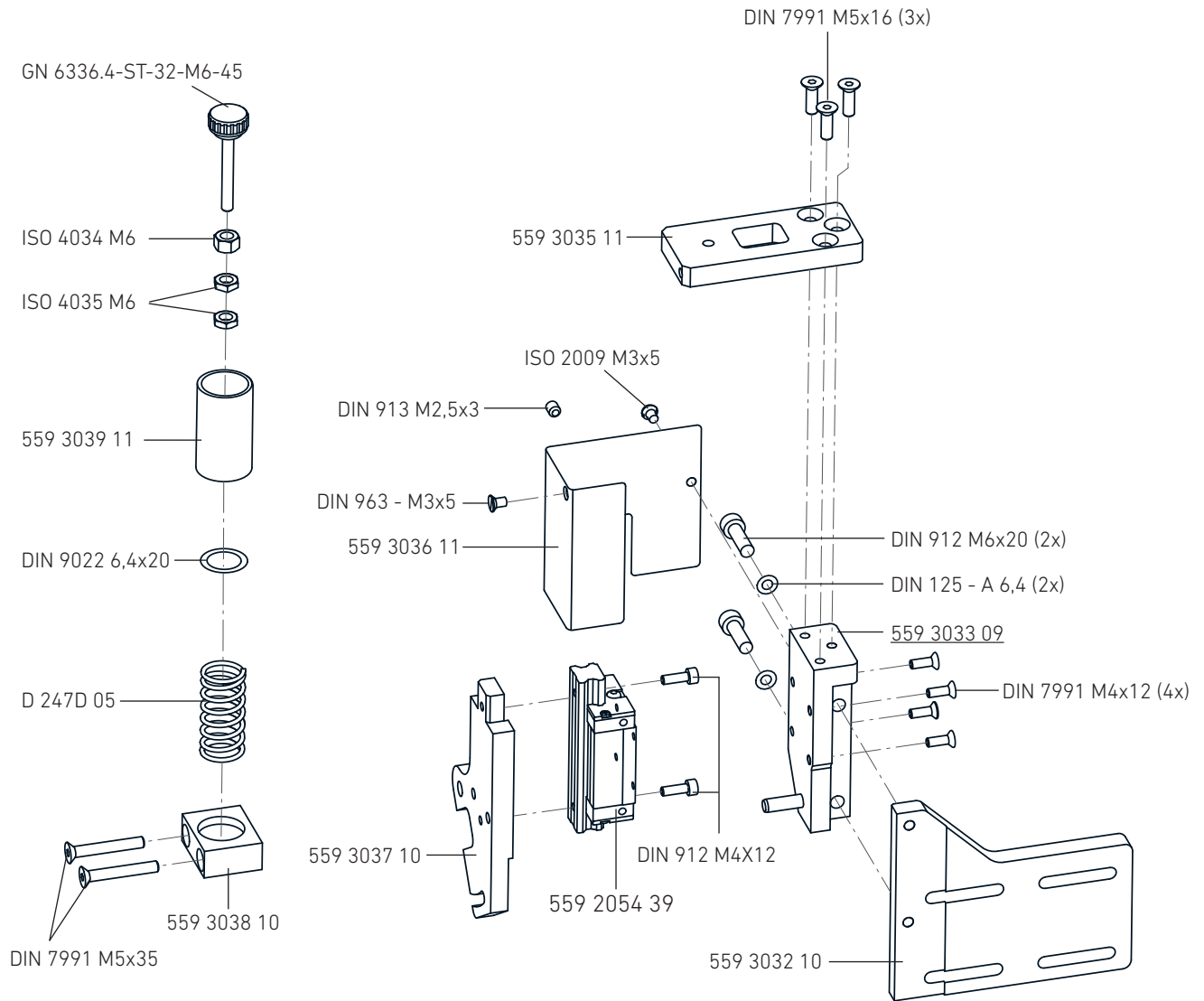
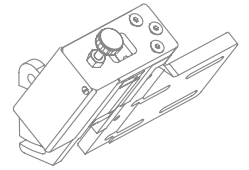
# 05. ULTRASONIC ACCESSORIES

03.01. PULLER - AIR - 558 730 000 - Ø 25mm x 16mm // 558 730 001 - Ø 45mm x 26mm



# 05. ULTRASONIC ACCESSORIES

## 03.02. PULLER - AIR - LINEAR GUIDE PULLER ASSY - 559 3045 09



# 05. ULTRASONIC ACCESSORIES

## 04.01. WELDING WHEELS Ø 25mm



(Scale 1:1)

PROFILE	WIDTH (MM)	# ON WHEEL	ORDER #	
<b>KNURL RGV 0.8</b>				
		3	11801	<b>558 4118 01</b>
		5	12801	<b>558 4128 01</b>
<b>KNURL RGE 0.8</b>				
		2	13020	<b>558 4130 20</b>
<b>KNURL RGV 1</b>				
		4	12001	<b>558 4120 01</b>
		6	13001	<b>558 4130 01</b>
		8	14001	<b>558 4140 01</b>
		10	15001	<b>558 4150 01</b>
		13	16501	<b>558 4165 01</b>
<b>KNURL RGE 1</b>				
		1,5	10285	<b>558 4108 25</b>
		3	11517	<b>558 4115 17</b>
		4	12017	<b>558 4120 17</b>
		6	13017	<b>558 4130 17</b>
		8	14017	<b>558 4140 17</b>
		10	15017	<b>558 4150 17</b>

# 05. ULTRASONIC ACCESSORIES

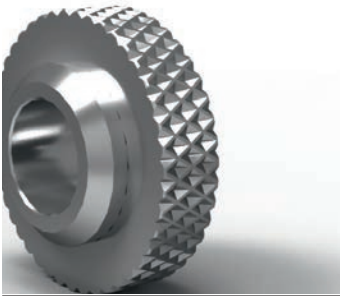
04.02. WELDING WHEELS Ø 25mm



(Scale 1:1)

PROFILE	WIDTH (MM)	# ON WHEEL	ORDER #
---------	------------	------------	---------

## KNURL RGV 1.5



6

13003

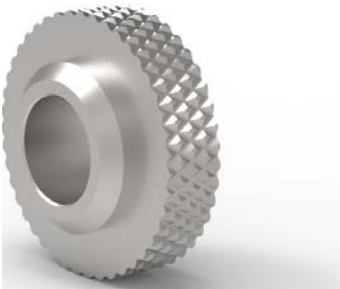
**558 4130 03**

10

15003

**558 4150 03**

## KNURL RGE 1.5



6

13018

**558 4130 18**

## TEETH 60°



2

11002

**558 4110 02**

3

11502

**558 4115 02**

4

12002

**558 4120 02**

5

12502

**558 4125 02**

6

13002

**558 4130 02**

7

13502

**558 4135 02**

8

14002

**558 4140 02**

## LONG HOLE



8

14403

**558 4144 03**

# 05. ULTRASONIC ACCESSORIES

## 04.03. WELDING WHEELS Ø 25mm



(Scale 1:1)

	PROFILE	WIDTH (MM)	# ON WHEEL	ORDER #
<b>DIAMOND</b>				
		8	12904	<b>558 4129 04</b>
		10	13904	<b>558 4139 04</b>
<b>POINT 1-, 2- &amp; 4-ROWED</b>				
		5	11005	<b>558 4110 05</b>
		5	11007	<b>558 4110 07</b>
		8	12033	<b>558 4120 33</b>
<b>OMEGA</b>				
		8	13406	<b>558 4134 06</b>
<b>SEAM IMITATION</b>				
		4	12011	<b>558 4120 11</b>

# 05. ULTRASONIC ACCESSORIES

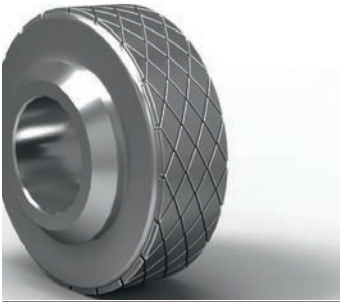
04.04. WELDING WHEELS Ø 25mm



(Scale 1:1)

PROFILE	WIDTH (MM)	# ON WHEEL	ORDER #
---------	------------	------------	---------

## DIAMOND (RAISED)



8

16212

558 4162 12

## T-STITCH WELDING (RAISED)

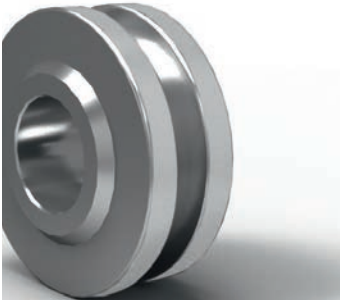


5.5

13013

558 4130 13

## 2-STRIPS (3-3-3 & 3-4-3)



9

13015

558 4130 15



10

13023

558 4130 23

## SEAM-IMITATION & CONTINUOUS SEAM



8

14019

558 4140 19

# 05. ULTRASONIC ACCESSORIES

## 04.05. WELDING WHEELS Ø 25mm



(Scale 1:1)

PROFILE	WIDTH (MM)	# ON WHEEL	ORDER #
---------	------------	------------	---------

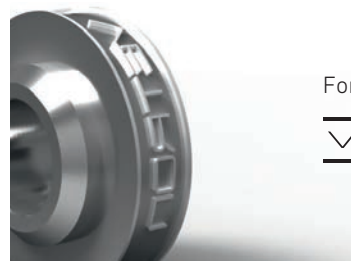
### TEETH & CONTINUOUS SEAM

		6	13021	<b>558 4130 21</b>
		7	14020	<b>558 4140 20</b>

### CONTINUOUS SEAM

		6	13008	<b>558 4130 08</b>
		8	14009	<b>558 4140 09</b>
		10	15010	<b>558 4150 10</b>
		12,5	16321	<b>558 4163 01</b>

Individual logo milling is possible



For example:

VETRON VETP

### Ø 25 MM WHEEL (FOR SAFETY WELD)

PROFILE	WIDTH (MM)	# ON WHEEL	ORDER #
---------	------------	------------	---------

### KNURL RGE 1.5

		3	51505	<b>558 4515 05</b>
		5	53003	<b>558 4530 03</b>



# 05. ULTRASONIC ACCESSORIES

05.01. WELDING WHEELS Ø 45mm



(Scale 1:1)

PROFILE	WIDTH (MM)	# ON WHEEL	ORDER #
---------	------------	------------	---------

## SEAM-IMITATION & CONTINUOUS SEAM

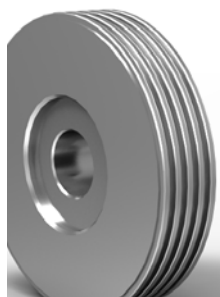


6

14035

558 4140 35

## 5X CONTINUOUS SEAM

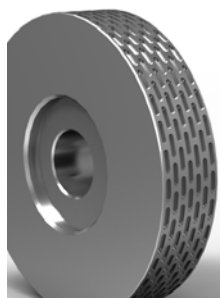


10

15026

558 4150 26

## LONG HOLE



5

12542

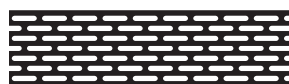
558 4125 42



8

14025

558 4140 25



10

15028

558 4150 28

## CONTINUOUS SEAM



2

11051

558 4110 51

3

13024

558 4130 24

5

15039

558 4150 39

# 05. ULTRASONIC ACCESSORIES

05.02. WELDING WHEELS Ø 45mm



(Scale 1:1)

	PROFILE	WIDTH (MM)	# ON WHEEL	ORDER #
<b>SEAM IMITATION</b>				
		0,8	10801	<b>558 4108 01</b>
		4	11644	<b>558 4116 44</b>
		6	12401	<b>558 4124 01</b>
<b>SEAM-IMITATION</b>				
		3	11011	<b>558 4110 11</b>
		4	12031	<b>558 4120 31</b>
		6	13043	<b>558 4130 43</b>
		10	15031	<b>558 4150 31</b>
<b>OMEGA</b>				
		8	13401	<b>558 4134 01</b>
<b>DIAMOND</b>				
		8	12938	<b>558 4129 38</b>
		10	15037	<b>558 4150 37</b>

# 05. ULTRASONIC ACCESSORIES

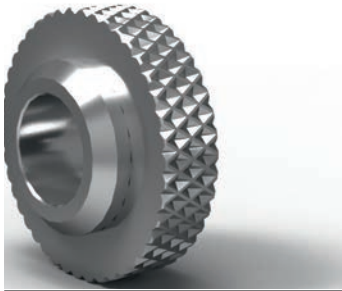
05.03. WELDING WHEELS Ø 45mm



(Scale 1:1)

PROFILE	WIDTH (MM)	# ON WHEEL	ORDER #
---------	------------	------------	---------

## KNURL RGV 1



3

11540

**558 4115 40**

5

12541

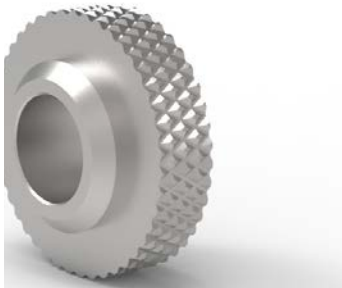
**558 4125 41**

10

15034

**558 4150 34**

## KNURL RGE 1

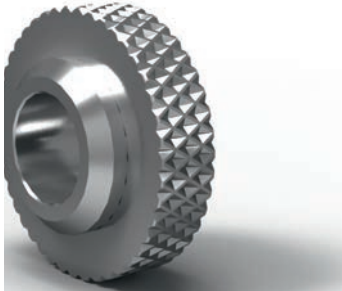


3

11541

**558 4115 41**

## KNURL RGV 1.5



3

11539

**558 4115 39**

5

12537

**558 4125 37**

6

13034

**558 4130 34**

10

15033

**558 4150 33**

# 05. ULTRASONIC ACCESSORIES

05.04. WELDING WHEELS Ø 45mm



(Scale 1:1)

PROFILE	WIDTH (MM)	# ON WHEEL	ORDER #
---------	------------	------------	---------

## SILICONE WHEELS



5 | 50 Shore      12545      **558 4125 45**

5 | 70 Shore      12546      **558 4125 46**

5 | 80 Shore      12547      **558 4125 47**

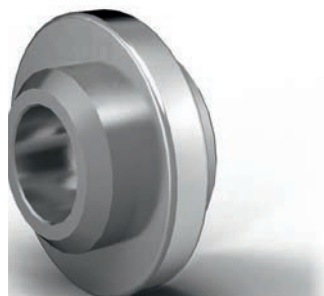


10 | 50 Shore      15043      **558 4150 41**

10 | 70 Shore      15044      **558 4150 44**

10 | 80 Shore      15045      **558 4150 45**

## CONTINUOUS SEAM



3      11542      **558 4115 42**

7      13505      **558 4135 05**

8      14033      **558 4140 33**

10      15032      **558 4150 32**

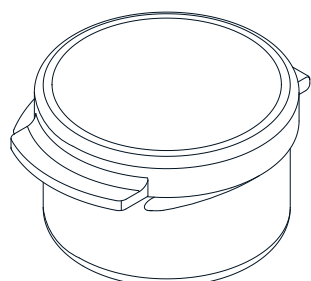
Individual logo milling is possible



For example:

**VETRON VETF**

ITEM	ORDER #
------	---------



Wheel Box Ø 25mm      559 223 30

Wheel Box Ø 45mm      57390

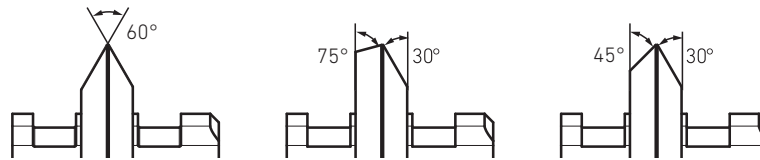
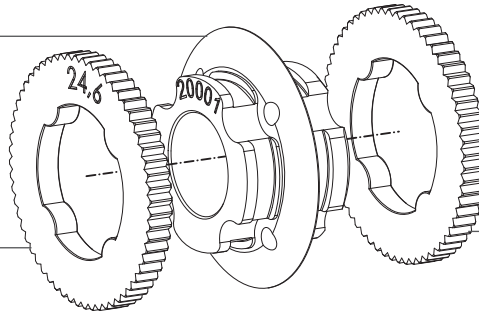
# 05. ULTRASONIC ACCESSORIES

## 06.01. CUT & UNRUFFLED ANVIL WHEEL FOR PULLER FEED

1 CUT WHEEL°

1 UNRUFFLED WHEEL°°

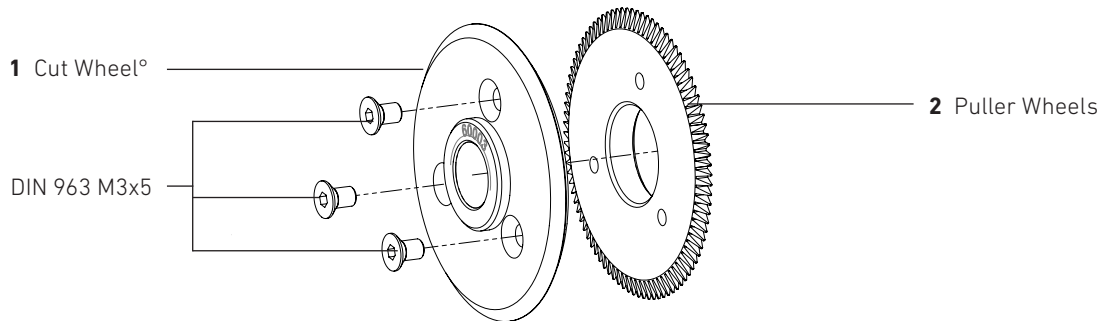
2 PULLER WHEELS



SURFACE	WIDTH (MM)	# ON WHEEL	ORDER #
<b>25 MM CUT WHEELS° (FOR PULLER FEED)</b>			
45° (sym.)		20001	558 4200 01
60° (sym.)		20002	558 4200 02
75° (sym.)		20003	558 4200 03
Left: 45°; Right 30°		20005	558 4200 05
Left: 60°; Right 30°		20006	558 4200 06
Left: 75°; Right 30°		20007	558 4200 07
<b>25 MM UNRUFFLED WHEELS° (FOR PULLER FEED)</b>			
unruffled	1	31001	558 4310 01
unruffled	1.5	31501	558 4315 01
unruffled	2	32001	558 4320 01
unruffled	3	33001	558 4330 01
<b>PULLER WHEELS</b>			
Set of all puller wheels (x2)			558 4900 00
Puller   Rubber	2.5	ø 24.6	558 4900 01
Puller   Rubber	2.5	ø 24.2	558 4900 02
Puller   Rubber	2.5	ø 23.6	558 4900 03
Puller   Rubber	2.5	ø 23.0	558 4900 04
Puller   Rubber	2.5	ø 20.8	558 4900 05
<b>25 MM SPECIAL CUTTING-WHEELS (WITH STEEL PULLER)</b>			
Left: 40°; Right 30°	ø 24.6	20012	558 4200 12
Left: 45°; Right 30°	ø 24.9	20016	558 4200 16
Left: 70°; Right: 70°	ø 24.6	20014	558 4200 14

# 05. ULTRASONIC ACCESSORIES

## 06.02. CUT & UNRUFFED ANVIL WHEEL FOR PULLER FEED



60° (sym.)



75° (sym.)



Left: 45°;  
Right 30°



Left: 60°;  
Right 30°



Left: 75°;  
Right 30°

SURFACE

WIDTH (MM)

# ON WHEEL

ORDER #

### 45 MM CUT WHEELS° (FOR PULLER FEED)

45° (sym.)	60001	<b>558 4600 01</b>
60° (sym.)	60002	<b>558 4600 02</b>
75° (sym.)	60003	<b>558 4600 03</b>
Left: 45°; Right 30°	60005	<b>558 4600 05</b>
Left: 60°; Right 30°	60006	<b>558 4600 06</b>
Left: 75°; Right 30°	60007	<b>558 4600 07</b>
Left: 45°; Right 30°	60008	<b>558 4600 08</b>

### PULLER WHEELS

Puller   Steel	ø 43.0	<b>558 4900 22</b>
Puller   Steel	ø 43.5	<b>558 4900 23</b>
Puller   Steel	ø 44.0	<b>558 4900 09</b>
Puller   Steel	ø 44.2	<b>558 4900 14</b>
Puller   Steel	ø 44.4	<b>558 4900 15</b>
Puller   Steel	ø 44.6	<b>558 4900 17</b>
Puller   Steel	ø 44.8	<b>558 4900 18</b>

### SPECIAL PULLER-WHEELS

Puller	ø 44.0	<b>558 4900 24</b>
Puller	ø 44.4	<b>558 4900 25</b>
Puller	ø 44.8	<b>558 4900 26</b>
Puller	ø 43.0	<b>558 4900 27</b>
Puller	ø 42.0	<b>558 4900 28</b>

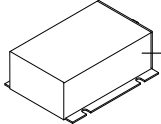

# 05. ULTRASONIC ACCESSORIES

## 07. PREVIOUS VERSIONS



**NOTE!**

These parts have been replaced by new designed parts.  
After consumption they will no longer be available.

PREVIOUS VERSION	IS REPLACED BY
 <p>559 0724 59</p>	559 9173 59
 <p>559 6901 59</p>	Adapter cable is not needed

# 05. ULTRASONIC ACCESSORIES

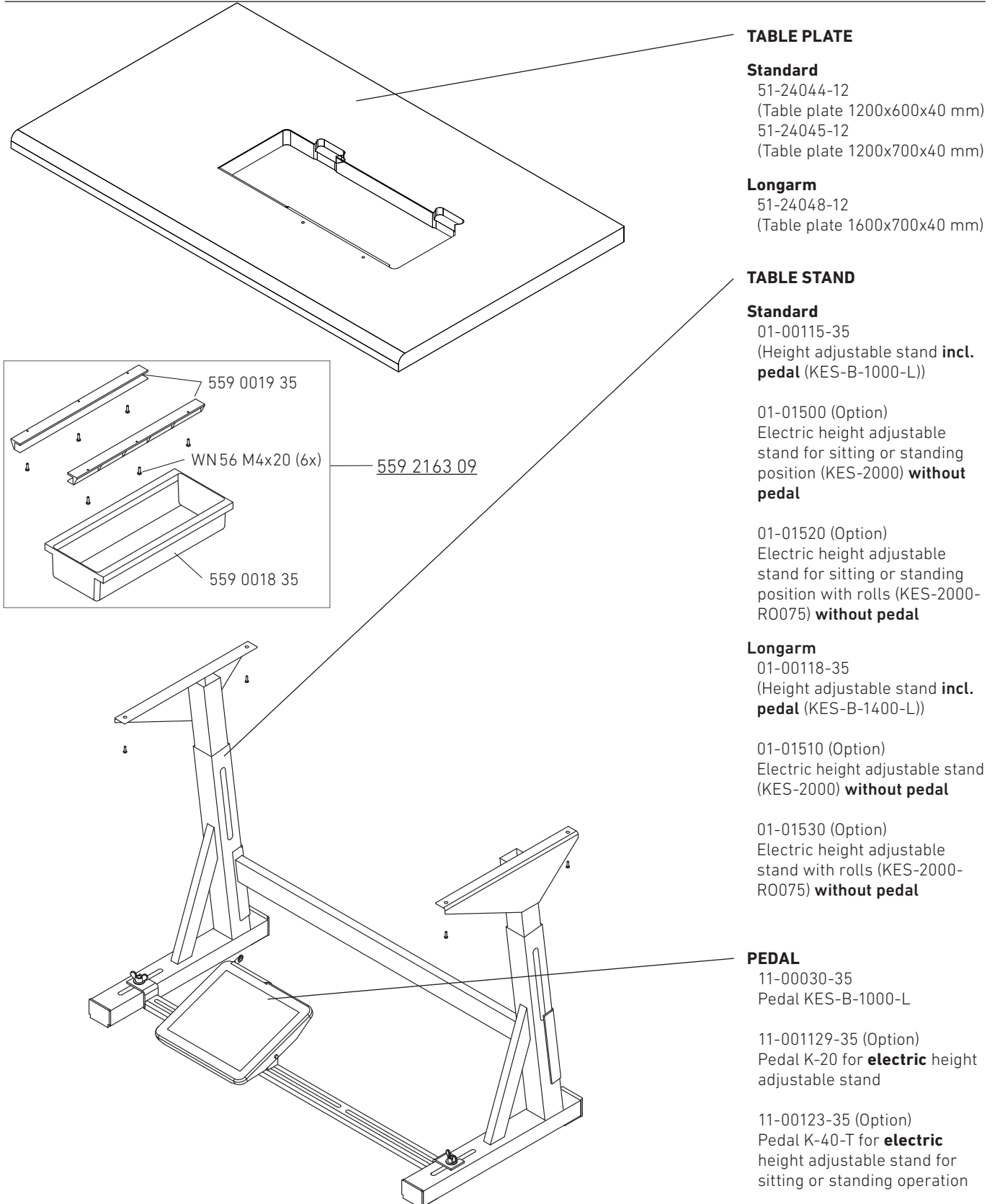


50 01. TABLE STAND

---

# 06. TABLE STAND

## 01. TABLE STAND



# INDEX - ULTRASONIC WELDING

At the time of printing, all information and illustrations in this document were up-to-date.

Technical changes without prior notice!



## NOTE!

- » Please take note of, we will not be liable for spare parts and accessories, not purchased from us. These parts were neither examined by us, nor released. Consequently, the installation or use of these products can have a negative influence on features and your workflow of the machine.
- » We accept no liability for any damage caused by the use of non-original parts.
- » Parts which are boxed have a underlined number.  
These parts have a assembly part number!
- » The part numbers in the box can be seperately ordered.
- » Parts with a ★ means this part is new designed. The previous version is found at the end of the chapter. After consumption they will no longer be available.

# INDEX - ULTRASONIC WELDING

PART NUMBER	PAGE	PART NUMBER	PAGE
<b>01-00115-35</b> Standard   Height adjustable stand incl. pedal (KES-B-1000-L)	50	<b>558 4108 25</b> Knurl RGE 1 - 1,5mm	36
<b>01-00118-35</b> Longarm   Height adjustable stand incl. pedal (KES-B-1400-L)	50	<b>558 4110 02</b> Teeth 60° - 2mm	37
<b>01-01500 (Option)</b> Standard   Electric height adjustable stand for sitting or standing position (KES-2000) without pedal	50	<b>558 4110 05</b> Point 1-, 2- & 4-rowed - 5mm	38
<b>01-01510 (Option)</b> Longarm   Electric height adjustable stand (KES-2000) without pedal	50	<b>558 4110 07</b> Point 1-, 2- & 4-rowed - 5mm	38
<b>01-01520 (Option)</b> Standard   Electric height adjustable stand for sitting or standing position with rolls (KES-2000-R0075) without pedal	50	<b>558 4110 11</b> Seam Imitation - 3mm	42
<b>01-01530 (Option)</b> Longarm   Electric height adjustable stand with rolls (KES-2000-R0075) without pedal	50	<b>558 4110 51</b> Continuous Seam - 2mm	41
<b>11-00030-35</b> Pedal KES-B-1000-L	50	<b>558 4115 02</b> Teeth 60° - 3mm	37
<b>11-00123-35 (Option)</b> Pedal K-40-T for electric height adjustable stand for sitting or standing operation	50	<b>558 4115 17</b> Knurl RGE 1 - 3mm	36
<b>11-001129-35 (Option)</b> Pedal K-20 for electric height adjustable stand	50	<b>558 4115 39</b> Knurl RGV 1,5 - 3mm	43
<b>51-24044-12</b> Standard   Table plate 1200x600x40 mm	50	<b>558 4115 40</b> Knurl RGV 1 - 3mm	43
<b>51-24045-12</b> Standard   Table plate 1200x700x40 mm	50	<b>558 4115 41</b> Knurl RGE 1 - 3mm	43
<b>51-24048-12</b> Longarm   Table plate 1600x700x40 mm	50	<b>558 4115 42</b> Continuous Seam - 3mm	44
<b>71WF5-008</b> Washer	33	<b>558 4116 44</b> Seam Imitation - 4mm	42
<b>500 035 330</b> Printed Button (Jog Key)	24	<b>558 4118 01</b> Knurl RGV 0.8 - 3mm	36
<b>500 035 506</b> Printed Button (Parameter)	24	<b>558 4120 01</b> Knurl RGV 1 - 4mm	36
<b>500 035 510</b> Printed Button (Cancel)	24	<b>558 4120 02</b> Teeth 60° - 4mm	37
<b>558 4000 05</b> Bolt	15	<b>558 4120 11</b> Seam imitation - 4mm	38
<b>558 4000 07</b> Bolt Ø 45mm	34	<b>558 4120 17</b> Knurl RGE 1 - 4mm	36
<b>558 4000 08</b> Bolt Ø 25mm	34	<b>558 4120 31</b> Seam Imitation - 4mm	42
<b>558 4108 01</b> Seam Imitation - 0,8mm	42	<b>558 4120 33</b> Point 1-, 2- & 4-rowed - 8mm	38
		<b>558 4124 01</b> Seam Imitation - 6mm	42
		<b>558 4125 02</b> Teeth 60° - 5mm	37
		<b>558 4125 37</b> Knurl RGV 1,5 - 5mm	43

# INDEX - ULTRASONIC WELDING

PART NUMBER	PAGE	PART NUMBER	PAGE
<b>558 4125 41</b> Knurl RGV1 - 5mm	<b>43</b>	<b>558 4134 06</b> Omega - 8mm	<b>38</b>
<b>558 4125 42</b> Long Hole - 5mm	<b>41</b>	<b>558 4135 02</b> Teeth 60° - 7mm	<b>37</b>
<b>558 4125 45</b> Silicone Wheels	<b>44</b>	<b>558 4135 05</b> Continuous Seam - 7mm	<b>44</b>
<b>558 4125 46</b> Silicone Wheels	<b>44</b>	<b>558 4139 04</b> Diamond - 10mm	<b>38</b>
<b>558 4125 47</b> Silicone Wheels	<b>44</b>	<b>558 4140 01</b> Knurl RGV1 - 8mm	<b>36</b>
<b>558 4128 01</b> Knurl RGV0.8 - 5mm	<b>36</b>	<b>558 4140 02</b> Teeth 60° - 8mm	<b>37</b>
<b>558 4129 04</b> Diamond - 8mm	<b>38</b>	<b>558 4140 09</b> Continuous Seam - 8mm	<b>40</b>
<b>558 4129 38</b> Diamond - 8mm	<b>42</b>	<b>558 4140 17</b> Knurl RGE 1 - 8mm	<b>36</b>
<b>558 4130 01</b> Knurl RGV1 - 6mm	<b>36</b>	<b>558 4140 19</b> Seam-Imitation & Continuous Seam - 8mm	<b>39</b>
<b>558 4130 02</b> Teeth 60° - 6mm	<b>37</b>	<b>558 4140 20</b> Teeth & Continuous Seam - 7mm	<b>40</b>
<b>558 4130 03</b> Knurl RGV1.5 - 6mm	<b>37</b>	<b>558 4140 25</b> Long Hole - 8mm	<b>41</b>
<b>558 4130 08</b> Continuous Seam - 6mm	<b>40</b>	<b>558 4140 33</b> Continuous Seam - 8mm	<b>44</b>
<b>558 4130 13</b> T-Stitch Welding (Raised) - 5,5mm	<b>39</b>	<b>558 4140 35</b> Seam-Imitation & Continuous Seam - 6mm	<b>41</b>
<b>558 4130 15</b> 2-Strips (3-3-3 & 3-4-3) - 9mm	<b>39</b>	<b>558 4144 03</b> Long Hole - 8mm	<b>37</b>
<b>558 4130 17</b> Knurl RGE 1 - 6mm	<b>36</b>	<b>558 4150 01</b> Knurl RGV1 - 10mm	<b>36</b>
<b>558 4130 18</b> Knurl RGe 1.5 - 6mm	<b>37</b>	<b>558 4150 03</b> Knurl RGV1.5 - 10mm	<b>37</b>
<b>558 4130 20</b> Knurl RGE0.8 - 2mm	<b>36</b>	<b>558 4150 10</b> Continuous Seam - 10mm	<b>40</b>
<b>558 4130 21</b> Teeth & Continuous Seam - 6mm	<b>40</b>	<b>558 4150 17</b> Knurl RGE 1 - 10mm	<b>36</b>
<b>558 4130 23</b> 2-Strips (3-3-3 & 3-4-3) - 10mm	<b>39</b>	<b>558 4150 26</b> 5x Continuous Seam - 10mm	<b>41</b>
<b>558 4130 24</b> Continuous Seam - 3mm	<b>41</b>	<b>558 4150 28</b> Standard wheel - Long Hole - 10mm	<b>41</b>
<b>558 4130 34</b> Knurl RGV1,5 - 6mm	<b>43</b>	<b>558 4150 31</b> Seam Imitation - 10mm	<b>42</b>
<b>558 4130 43</b> Seam Imitation - 6mm	<b>42</b>	<b>558 4150 32</b> Continuous Seam - 10mm	<b>44</b>
<b>558 4134 01</b> Omega - 8mm	<b>42</b>	<b>558 4150 33</b> Knurl RGV1,5 - 10mm	<b>43</b>

# INDEX - ULTRASONIC WELDING

PART NUMBER	PAGE	PART NUMBER	PAGE
<b>558 4150 34</b> Knurl RGV1 - 10mm	<b>43</b>	<b>558 4530 03</b> Knurl RGE 1.5 - 5mm	<b>40</b>
<b>558 4150 37</b> Diamond - 10mm	<b>42</b>	<b>558 4600 01</b> 45 mm Cut wheel (for Puller feed)	<b>46</b>
<b>558 4150 39</b> Continuous Seam - 5mm	<b>41</b>	<b>558 4600 02</b> 45 mm Cut wheel (for Puller feed)	<b>46</b>
<b>558 4150 41</b> Silicone Wheels	<b>44</b>	<b>558 4600 03</b> 45 mm Cut wheel (for Puller feed)	<b>46</b>
<b>558 4150 44</b> Silicone Wheels	<b>44</b>	<b>558 4600 04</b> 45 mm Cut wheel (for Puller feed)	<b>46</b>
<b>558 4150 45</b> Silicone Wheels	<b>44</b>	<b>558 4600 05</b> 45 mm Cut wheel (for Puller feed)	<b>46</b>
<b>558 4162 12</b> Diamond (Raised) - 8mm	<b>39</b>	<b>558 4600 06</b> 45 mm Cut wheel (for Puller feed)	<b>46</b>
<b>558 4163 01</b> Continuous Seam - 12,5mm	<b>40</b>	<b>558 4600 07</b> 45 mm Cut wheel (for Puller feed)	<b>46</b>
<b>558 4165 01</b> Knurl RGV1 - 13mm	<b>36</b>	<b>558 4600 08</b> 45 mm Cut wheel (for Puller feed)	<b>46</b>
<b>558 4200 01</b> 25 mm Cut wheels (for Puller feed)	<b>45</b>	<b>558 4900 00</b> Puller wheel	<b>45</b>
<b>558 4200 02</b> 25 mm Cut wheels (for Puller feed)	<b>45</b>	<b>558 4900 01</b> Puller wheel	<b>45</b>
<b>558 4200 03</b> 25 mm Cut wheels (for Puller feed)	<b>45</b>	<b>558 4900 02</b> Puller wheel	<b>45</b>
<b>558 4200 05</b> 25 mm Cut wheels (for Puller feed)	<b>45</b>	<b>558 4900 03</b> Puller wheel	<b>45</b>
<b>558 4200 06</b> 25 mm Cut wheels (for Puller feed)	<b>45</b>	<b>558 4900 04</b> Puller wheel	<b>45</b>
<b>558 4200 07</b> 25 mm Cut wheels (for Puller feed)	<b>45</b>	<b>558 4900 05</b> Puller wheel	<b>45</b>
<b>558 4200 12</b> 5mm Special Cutting-wheel (with steal puller)	<b>45</b>	<b>558 4900 09</b> Puller wheel	<b>46</b>
<b>558 4200 14</b> 5mm Special Cutting-wheel (with steal puller)	<b>45</b>	<b>558 4900 14</b> Puller wheel	<b>46</b>
<b>558 4200 16</b> 5mm Special Cutting-wheel (with steal puller)	<b>45</b>	<b>558 4900 15</b> Puller wheel	<b>46</b>
<b>558 4310 01</b> 25 mm Unruffled wheels (for Puller feed) - 1mm	<b>45</b>	<b>558 4900 17</b> Puller wheel	<b>46</b>
<b>558 4315 01</b> 25 mm Unruffled wheels (for Puller feed) - 1,5mm	<b>45</b>	<b>558 4900 18</b> Puller wheel	<b>46</b>
<b>558 4320 01</b> 25 mm Unruffled wheels (for Puller feed) - 2mm	<b>45</b>	<b>558 4900 22</b> Puller wheel	<b>46</b>
<b>558 4330 01</b> 25 mm Unruffled wheels (for Puller feed) - 3mm	<b>45</b>	<b>558 4900 23</b> Puller wheel	<b>46</b>
<b>558 4515 05</b> Knurl RGE 1.5 - 3mm	<b>40</b>	<b>558 4900 24</b> Special Puller wheel	<b>46</b>

# INDEX - ULTRASONIC WELDING

PART NUMBER	PAGE	PART NUMBER	PAGE
<b>558 4900 25</b> Special Puller wheel	<b>46</b>	<b>559 0397 69</b> Key cape	<b>10</b>
<b>558 4900 26</b> Special Puller wheel	<b>46</b>	<b>559 0402 15</b> Carrier	<b>10</b>
<b>558 4900 27</b> Special Puller wheel	<b>46</b>	<b>559 0407 16</b> Bed plate cover	<b>20</b>
<b>558 4900 28</b> Special Puller wheel	<b>46</b>	<b>559 0424 16</b> Slide plate	<b>20</b>
<b>559 0091 10</b> Gear wheel	<b>13</b>	<b>559 0430 36</b> Endcarriage	<b>09</b>
<b>559 0123 36</b> Cover	<b>09</b>	<b>559 0432 12</b> Bearing bracket	<b>18</b>
<b>559 0126 35</b> Cover	<b>09</b>	<b>559 0433 12</b> Bracket	<b>18</b>
<b>559 0218 35</b> Rubber cushion	<b>18</b>	<b>559 0458 39</b> Industrial Gas Springes GS-70-AD	<b>18</b>
<b>559 0220 35</b> Rubber cushion	<b>18</b>	<b>559 0499 10</b> Spring	<b>10</b>
<b>559 223 30</b> Wheel box for Ø 25mm	<b>44</b>	<b>559 0506 59</b> Head PCB	<b>10 29</b>
<b>559 0227 33</b> Frame	<b>18</b>	<b>559 0507 59</b> Head-Base PCB with CPU	<b>10 29</b>
<b>559 0228 35</b> Cover	<b>18</b>	<b>559 0513 59</b> PCB material thickness sensor	<b>11 12</b>
<b>559 0229 33</b> Frame behind	<b>18</b>	<b>559 0526 59</b> Circuit board	<b>11</b>
<b>559 0230 35</b> Cover behind	<b>18</b>	<b>559 0553 59</b> Printed Button (Light)	<b>24</b>
<b>559 0231 35</b> Cover	<b>18</b>	<b>559 0554 59</b> Printed Button (New Program)	<b>24</b>
<b>559 0237 30</b> Diffusion lens	<b>09</b>	<b>559 0555 59</b> Printed Button (Program Chain)	<b>24</b>
<b>559 0242 50</b> Neodym Scheibenmagnet 5x4 Nd 35	<b>10</b>	<b>559 0556 59</b> Printed Button (Save)	<b>24</b>
<b>559 0257 10</b> Screw	<b>18 22</b>	<b>559 0575 59</b> Key Cape	<b>10</b>
<b>559 0265 31</b> Plug	<b>13</b>	<b>559 0601 59</b> Printed Button (Interval Welding)	<b>24</b>
<b>559 0354 13</b> Hinge	<b>18</b>	<b>559 0602 59</b> Printed Button (Spot Welding)	<b>24</b>
<b>559 0392 15</b> Key cape	<b>10</b>	<b>559 0603 59</b> Printed Button (Cut & Seal)	<b>24</b>
<b>559 0394 13</b> Frame balance wheel	<b>10</b>	<b>559 0604 59</b> Printed Button (Continuous Welding)	<b>24</b>
<b>559 0395 15</b> Balance wheel	<b>10</b>	<b>559 0606 59</b> Foot position Sensor cable	<b>11 29</b>

# INDEX - ULTRASONIC WELDING

PART NUMBER	PAGE	PART NUMBER	PAGE
<b>559 0608 59</b> FGL Cable complete(Fans, Generator,Light)	<b>28</b>	<b>559 0844 09</b> Cover behind assy	<b>18</b>
<b>559 0609 59</b> Sonotrode Fans Cable	<b>33</b>	<b>559 0856 30</b> Cover with Logo	<b>32</b>
<b>559 0612 59</b> Earth cable	<b>26</b>	<b>559 0948 30</b> Cover with Logo (Logarm)	<b>32</b>
<b>559 0613 59</b> FFC-Cable	<b>29</b>	<b>559 0953 11</b> Cable holder	<b>13</b>
<b>559 0617 59</b> LED PCB complete	<b>09 28</b>	<b>559 0956 15</b> Cover	<b>09</b>
<b>559 0618 59</b> Display connector complete	<b>10 29</b>	<b>559 0964 01</b> Plate	<b>13</b>
<b>559 0620 59</b> Sonotrode Fans cable complete	<b>33</b>	<b>559 1355 09</b> Cardan shaft assy	<b>11 12</b>
<b>559 0627 59</b> 3-way socket strip	<b>25</b>	<b>559 1741 13</b> Spring	<b>21</b>
<b>559 0629 59</b> Control Box VE 8340	<b>26</b>	<b>559 1749 11</b> Angle	<b>21</b>
<b>559 0633 59</b> Head based cable	<b>29</b>	<b>559 1753 16</b> Slide plate	<b>21</b>
<b>559 0642 59</b> Display complete welding machine	<b>24</b>	<b>559 1780 39</b> Knurled screw GN 59-18-M5-40	<b>34</b>
<b>559 0654 59</b> Power cable	<b>26</b>	<b>559 1839 13</b> Hinge	<b>18</b>
<b>559 0660 59</b> Cable	<b>11</b>	<b>559 1844 13</b> Plate	<b>18</b>
<b>559 0706 59</b> Stepper motor (welding pressure) S3	<b>11</b>	<b>559 2001 00</b> Cam assy (Ø 25mm)	<b>13</b>
<b>559 0707 59</b> Arctic Fans incl. Screws	<b>33</b>	<b>559 2002 10</b> Gear wheel assy (Ø 25mm)	<b>13</b>
<b>559 0710 59</b> Stepping-Motor Fei Long Type S4	<b>11 12</b>	<b>559 2003 10</b> Cam	<b>13</b>
<b>559 0711 59</b> Stepping-Motor Fei Long with cable (foot lifter) S1	<b>11 12</b>	<b>559 2005 15</b> Cover (glue)	<b>10</b>
<b>559 0712 59</b> Stepping Type 57BYGH250E25(speed)	<b>22</b>	<b>559 2007 10</b> Head housing	<b>13</b>
<b>559 0724 59</b> Fan switch	<b>47</b>	<b>559 2008 10</b> Bushing	<b>13</b>
<b>559 0772 59</b> Stepper motor with cable for Puller	<b>34</b>	<b>559 2011 11</b> Anvil frame	<b>15</b>
<b>559 0810 10</b> Flexible magnet strip 29,5mm	<b>15</b>	<b>559 2013 11</b> Washer	<b>15 34</b>
<b>559 0841 09</b> Carrier with Solenoid	<b>10</b>	<b>559 2018 10</b> Bolt	<b>13</b>
<b>559 0842 11</b> Foam-block	<b>18</b>	<b>559 2019 11</b> Plate	<b>14</b>



# INDEX - ULTRASONIC WELDING

PART NUMBER	PAGE	PART NUMBER	PAGE
<b>559 2021 10</b> Spring	11	<b>559 2110 69</b> Key Cape	10
<b>559 2022 10</b> Bracket	11	<b>559 2116 39</b> Igubal-spherical bearing	14
<b>559 2023 00</b> Bearing pin	14	<b>559 2117 11</b> Plate	11
<b>559 2031 10</b> Plate	22	<b>559 2121 35</b> Cover 11 mm	20
<b>559 2032 10</b> Shaft	22	<b>559 2122 15</b> Cover	33
<b>559 2033 00</b> Timing belt pulley assy	22	<b>559 2123 33</b> Protection Guard Fan	33
<b>559 2035 09</b> Ultrasonic module assy (Titan)	22	<b>559 2125 10</b> Bolt	14
<b>559 2045 10</b> Frame	09	<b>559 2143 00</b> Gear wheel assy (Ø45mm)	13
<b>559 2047 39</b> Metal bellows coupling	22	<b>559 2144 09</b> Anvil frame assy (Ø45mm)	14 15
<b>559 2051 09</b> Head housing assy	13	<b>559 2155 09</b> setpoint device complete	26
<b>559 2054 39</b> Linear guide	14 35	<b>559 2161 09</b> Connecting rod	26
<b>559 2058 36</b> Cover	09	<b>559 2162 06</b> Mounting Kit for control box	26
<b>559 2059 33</b> Frame	09	<b>559 2164 11</b> Plate	11
<b>559 2064 09</b> Gear spindle assy	11	<b>559 2166 11</b> Plate	14
<b>559 2065 10</b> Bushing	14	<b>559 2168 39</b> Wrench	32
<b>559 2066 15</b> Cover	10	<b>559 2173 11</b> Cover	15
<b>559 2080 09</b> Head modulle electronics	10	<b>559 2174 09</b> Cover with light	09
<b>559 2081 10</b> Carrier	11 12	<b>559 2185 00</b> Timing belt pulley assy	15
<b>559 2084 09</b> Carrier assy	11 12	<b>559 2186 10</b> Timing belt pulley	15 34
<b>559 2099 11</b> Carrier	22	<b>559 2187 10</b> Timing belt 408 3MGT3	15 34
<b>559 2102 09</b> Nut with magnet	11	<b>559 2188 09</b> Anvil frame assy (Ø25mm)	14 15
<b>559 2108 11</b> Plate	20	<b>559 2191 00</b> Cam assy (Ø45mm)	13
<b>559 2109 35</b> Cover 14 mm	20	<b>559 2193 10</b> Washer	12

# INDEX - ULTRASONIC WELDING

PART NUMBER	PAGE	PART NUMBER	PAGE
<b>559 2194 10</b> Cylinder	12	<b>559 2923 11</b> Cover	34
<b>559 2195 10</b> Shaft	12	<b>559 2927 11</b> Plate	34
<b>559 2196 10 (Ø45mm)</b> Pipe	14	<b>559 3032 10</b> Plate	35
<b>559 2197 11 (Ø45mm)</b> Angle	14	<b>559 3033 09</b> Holder	35
<b>559 2198 10</b> Spring	12	<b>559 3035 11</b> Plate	35
<b>559 2199 09</b> Piston rod	12	<b>559 3036 11</b> Cover	35
<b>559 2200 09</b> Ultrasonic module assy (Steel)	22	<b>559 3037 10</b> Plate	35
<b>559 2213 39</b> Industrial Gas Springes GS-70-AD	18	<b>559 3038 10</b> Spring holder	35
<b>559 2227 13</b> Slider left	21	<b>559 3039 11</b> Pipe	35
<b>559 2228 13</b> Slider right - for Steel Sonotrode	21	<b>559 3045 09</b> Linear guide puller assy	35
<b>559 2229 13</b> Slider right - for Titan Sonotrode	21	<b>559 3055 09</b> Plate assy	34
<b>559 2305 09</b> Wheel Ø 25mm	34	<b>559 3750 09</b> Puller base plate assy with counterroller	21
<b>559 2408 09</b> Wheel Ø 45mm	34	<b>559 6850 59</b> I2C Interface complete	25
<b>559 2660 11</b> Carrier	34	<b>559 6851 59</b> Generator Switch V1	28
<b>559 2662 09</b> Cylinder assy	34	<b>559 6901 59</b> Adapter cable	47
<b>559 2663 11</b> Carrier	34	<b>559 7023 09</b> Steel plate with roll assy	21
<b>559 2667 11</b> Cover	34	<b>559 7054 03</b> Safety catch	18
<b>559 2669 10</b> Spring	34	<b>559 9044 34</b> Heat transfer pad	09
<b>559 2673 11</b> Washer only by Ø 45mm	34	<b>559 9051 16</b> Steel plate	21
<b>559 2887 09</b> Collar	34	<b>559 9052 11</b> Roller holer	21
<b>559 2904 11</b> Plate	34	<b>559 9053 11</b> Roller	21
<b>559 2920 00</b> Timing belt pulley	34	<b>559 9054 10</b> Roller shaft	21
<b>559 2921 11</b> Cover	34	<b>559 9055 16</b> Roler cover	21

# INDEX - ULTRASONIC WELDING

PART NUMBER	PAGE	PART NUMBER	PAGE
<b>559 9173 59</b> Fan switch	<b>33</b>		
<b>589 585.0</b> Cooling KPL AllCAT	<b>33</b>		
<b>57390</b> Wheel box for Ø 45mm	<b>44</b>		
<b>193183.0</b> Cable	<b>25</b>		
<b>0318067</b> Push-in Fitting	<b>12</b>		
<b>573871.0</b> Connecting cable 35kHz	<b>25</b>		
<b>612448.0</b> Ultrasonic-generator MS SoniGEN	<b>25</b>		
<b>7000621</b> Ultrasonic-generator with cables	<b>25</b>		
<b>B14 - 460 DA 5mm</b> Spacer Bolt	<b>15</b>		
<b>CSA 3538 001</b> Screw	<b>21</b>		
<b>NADUOP 32x08,0x9,0</b> Complete Pistons NADUOP032X08,0X9,0 NBR708	<b>12</b>		
<b>O-Ring</b> 6x3	<b>12</b>		
<b>W060401039</b> Grease syringe	<b>32</b>		
<b>WN56-5x30</b> Srew	<b>18</b>		
<b>WN56-5x60</b> Screw	<b>18</b>		

# INDEX - ULTRASONIC WELDING



**VETRON TYPICAL EUROPE GmbH**  
Clara-Immerwahr-Str. 6  
67661 Kaiserslautern, Germany  
Tel.: +49 6301 320 75-0  
Fax: +49 6301 320 75-11

[info@vetrontypical.com](mailto:info@vetrontypical.com)  
[www.vetrontypical.com](http://www.vetrontypical.com)