



VETRON

» PARTS LIST

05/2022

STANDARD

- » 5300
- » 5320

DEEPSTITCH

- » 5380

© **VETRON | TYPICAL GmbH**

Clara-Immerwahr-Str. 6
67661 Kaiserslautern, Germany

Tel.: +49 6301 320 75-0

Fax: +49 6301 320 75-11

info@vetrontypical.com

www.vetrontypical.com

All rights reserved.

The instructions for use, service instructions, parts lists are protected by copyright. Any reuse of the content outside the copyright is without the written consent of VETRON | Typical GmbH inadmissible and punishable.

VETRON | Typical GmbH is only liable for damage caused by intent or gross negligence on the part of the manufacturer. Moreover, liability is excluded.

Reserve technical changes!

The contents were carefully prepared and checked by the publisher. Due to continuous developments, illustrations, functional steps and technical data may differ slightly.

Updating the documentation

If you have suggestions for improvement or have detected any irregularities, please contact us.

 The documents for the machines can be accessed by logging on <https://www.vetrontypical.com/> downloaded for free.

INDEX PARTS LIST

VETRON 5300 POST BED MACHINE



04	GENERAL
05	SEWING MACHINE
	OVERVIEW - 1 & 2-NEEDLE
06	SEWING MACHINE
	OVERVIEW - DEEPSTITCH
07	01. HEAD MODULE
	557 110 000 (1-NEEDLE)
	557 120 000 (2-NEEDLE)
	557 116 000 (DEEPSTITCH)
23	02. FRAME MODULE
	557 003 000 (POST BED)
25	03. BASE MODULE
	557 213 000 (1-NEEDLE)
	557 223 000 (2-NEEDLE)
	557 216 000 (DEEPSTITCH)
43	04. MAIN DRIVE MODULE
	557 313 000
49	05. HANDWHEEL MODULE
	557 410 000
51	06. LUBRICATION
55	07. ELECTRONIC PARTS SEWING
61	08. SEWING ACCESSORIES
	STANDARD ACCESSORIES - INCLUDED IN DELIVERY
83	09. TABLE STAND
85	INDEX - PARTS OF SEWING MACHINE

GENERAL

At the time of printing, all information and illustrations in this document were up-to-date.

Technical changes without prior notice!

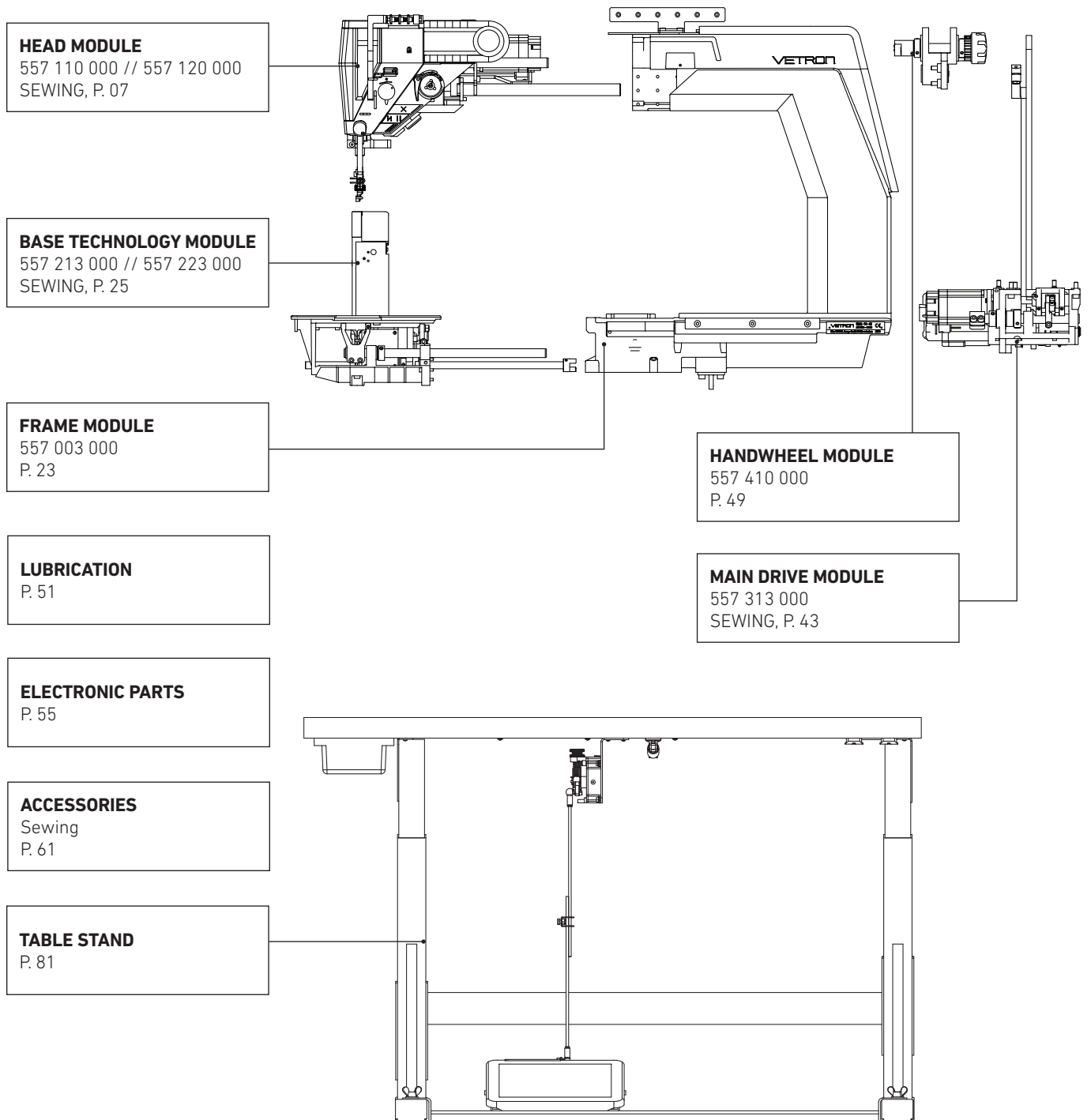


NOTE!

- » Please take note of, we will not be liable for spare parts and accessories, not purchased from us. These parts were neither examined by us, nor released. Consequently, the installation or use of these products can have a negative influence on features and your workflow of the machine.
- » We accept no liability for any damage caused by the use of non-original parts.
- » Parts which are boxed have a underlined number. These parts have a assembly part number!
- » The part numbers in the box can be separately ordered.
- » Parts with a ★ means this part is new designed. The previous version is found at the end of the chapter. After consumption they will no longer be available.

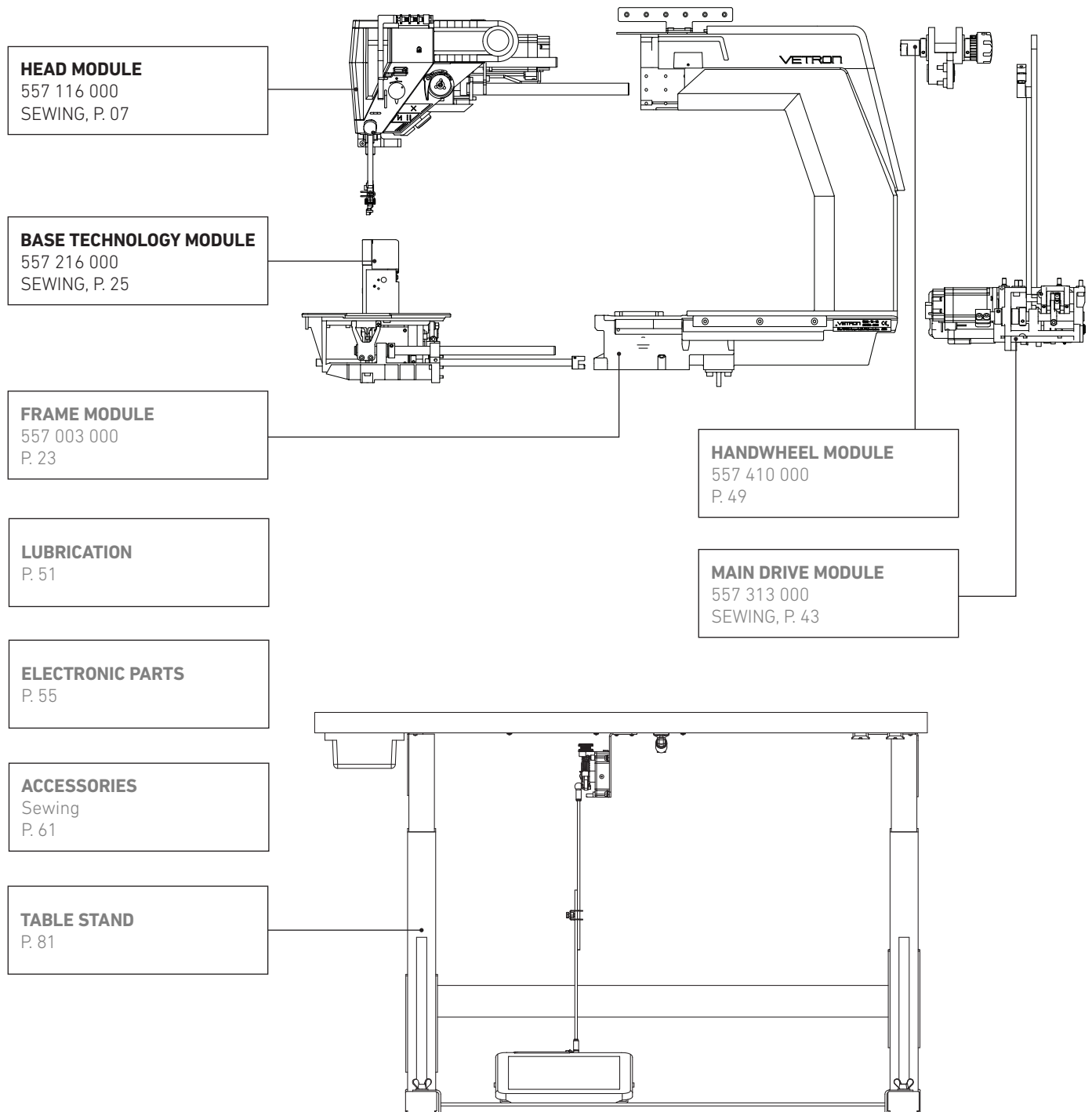
SEWING MACHINE

OVERVIEW - 1 & 2-NEEDLE



SEWING MACHINE

OVERVIEW - DEEPSTITCH



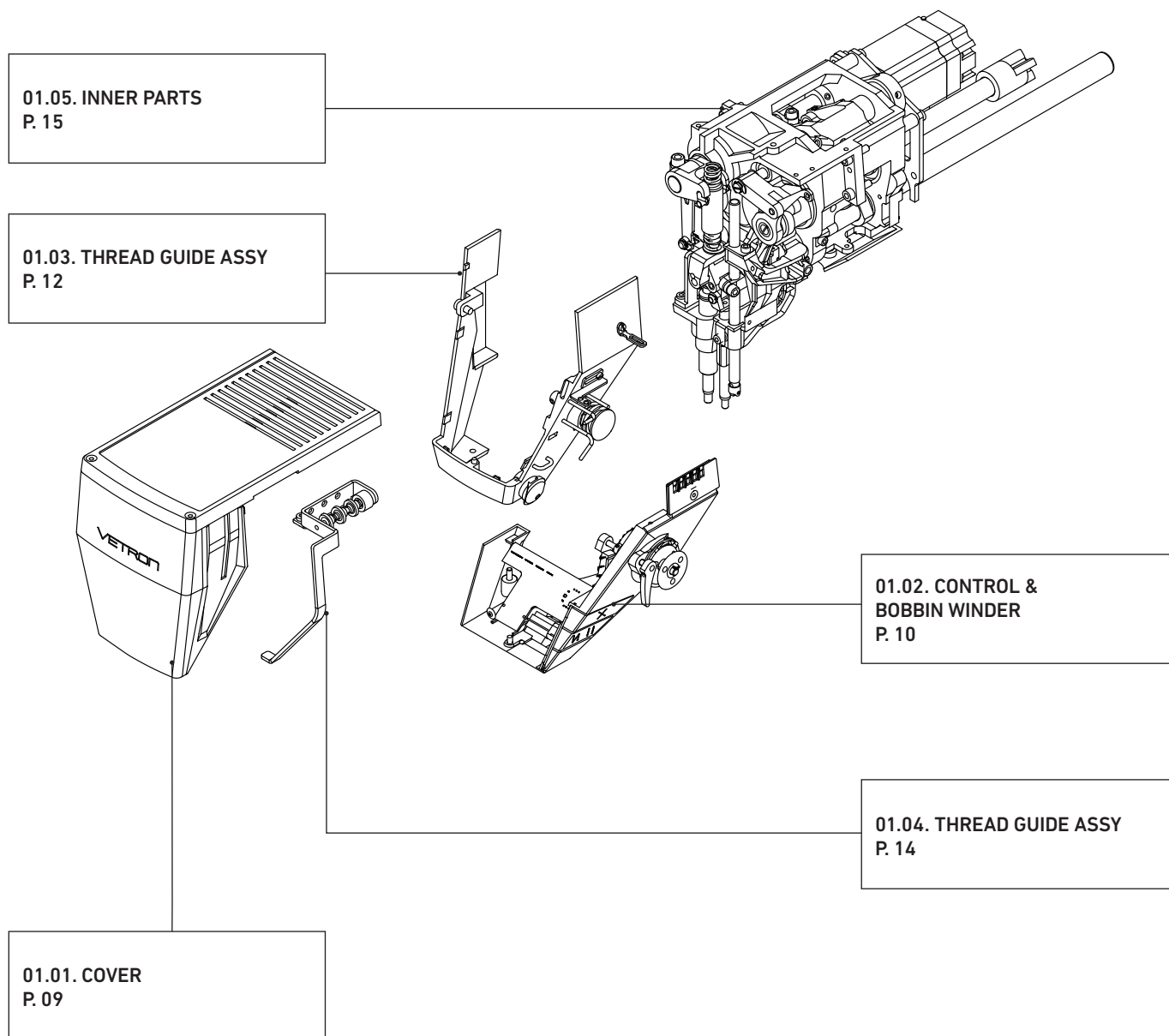
01. HEAD MODULE

557 110 000 (1-NEEDLE)
557 120 000 (2-NEEDLE)
557 116 000 (DEEPSTITCH)

08	OVERVIEW	<hr/>
09	01. COVER	<hr/>
10	02. CONTROL & BOBBIN WINDER	<hr/>
12	03. THREAD GUIDE ASSY - 1-NEEDLE / DEEPSTITCH	<hr/>
14	04. THREAD GUIDE ASSY	<hr/>
15	05. INNER PARTS – OVERVIEW	<hr/>
16	05.01. BEARING & COVER	<hr/>
17	05.02. THREAD TAKE-UP LEVER & STITCH REGULATOR	<hr/>
18	05.03. STITCH REGULATOR – TOP FEED - STROKE	<hr/>
19	05.04. NEEDLE BAR PENDULAR	<hr/>
20	05.05. TOP FEED MECHANISM	<hr/>
21	05.06. STEPPING MOTORS	<hr/>
22	06. PREVIOUS VERSIONS	<hr/>

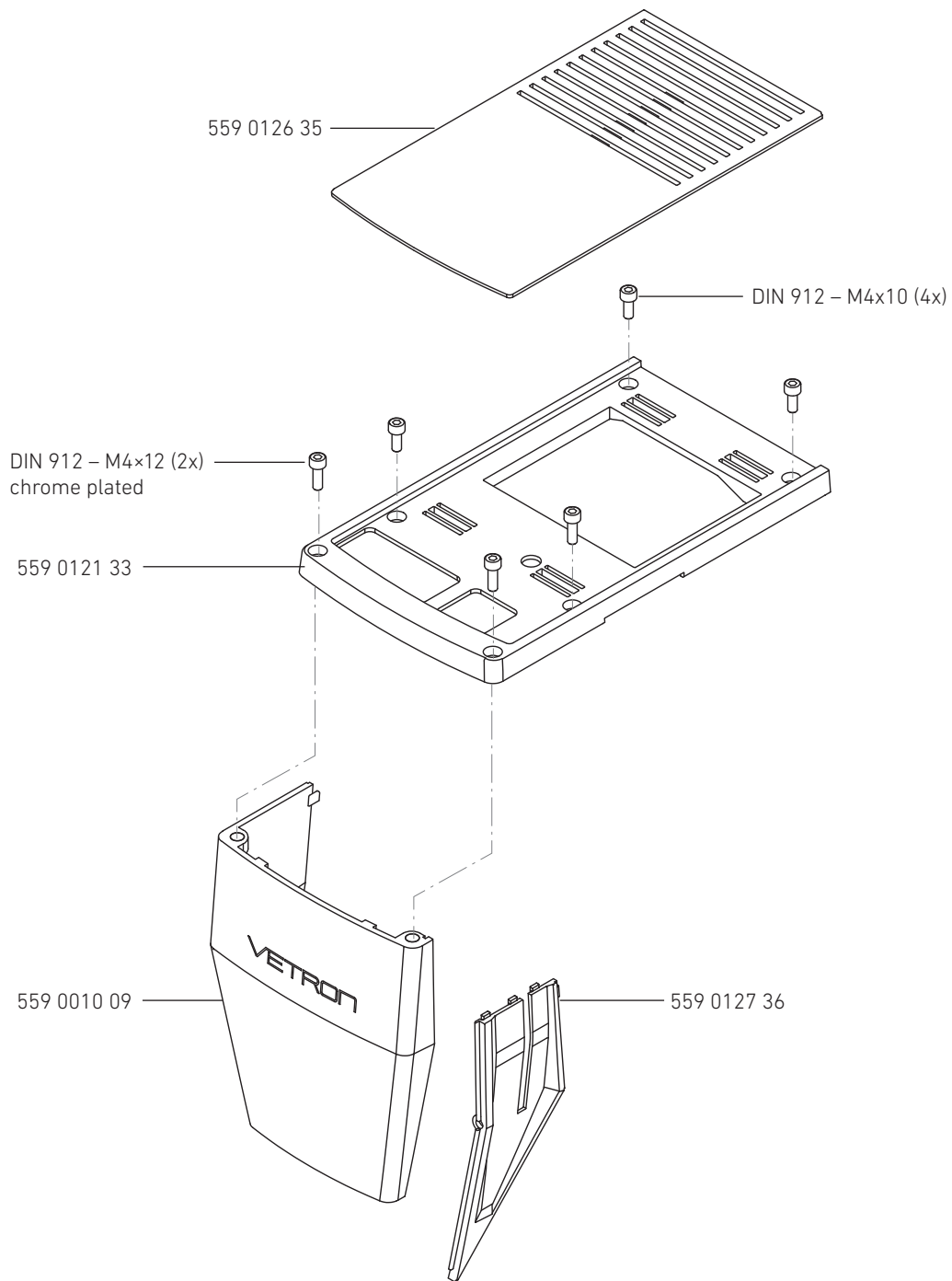
01. HEAD MODULE

OVERVIEW



01. HEAD MODULE

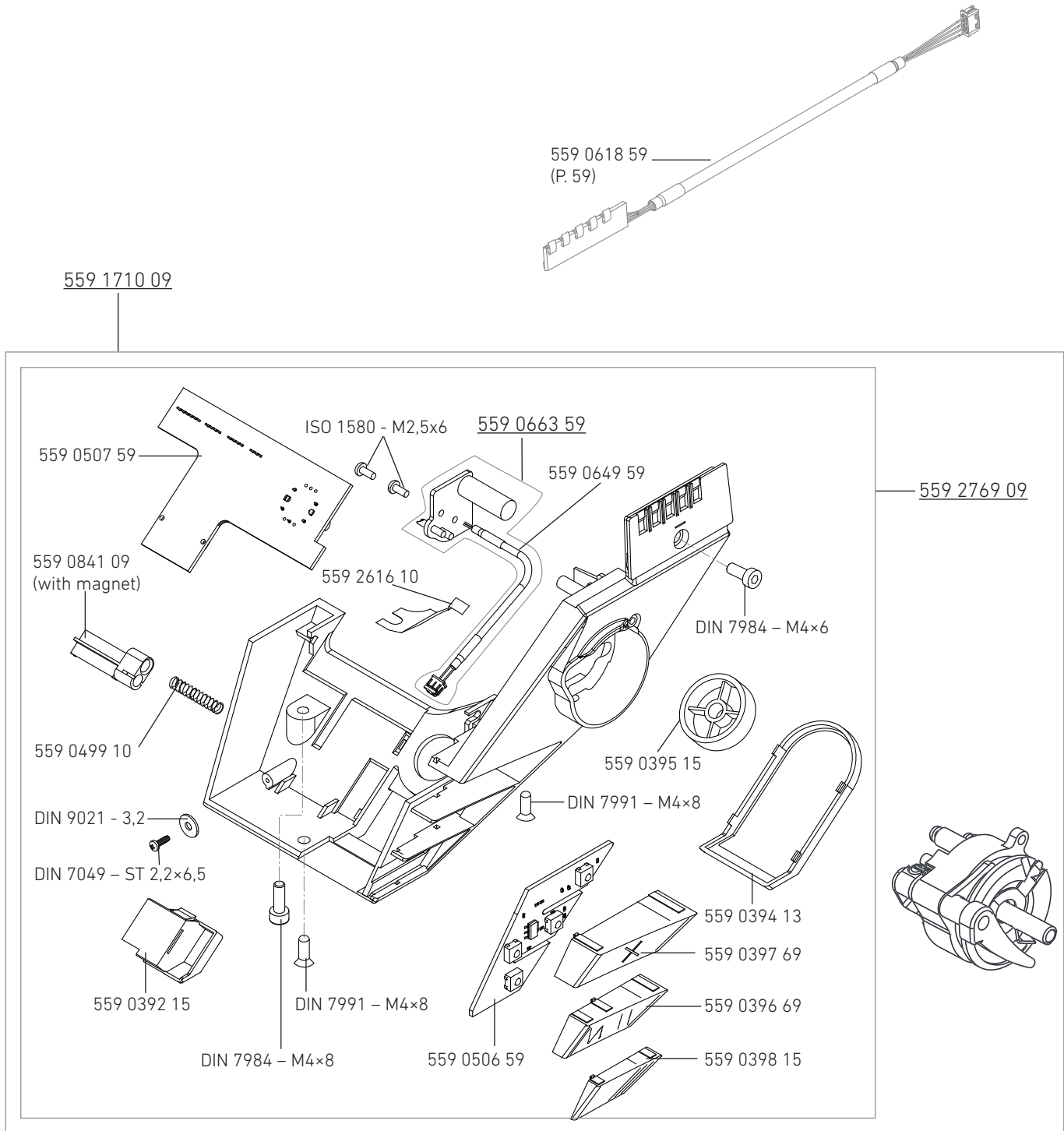
01. COVER



01. HEAD MODULE

02. CONTROL & BOBBIN WINDER

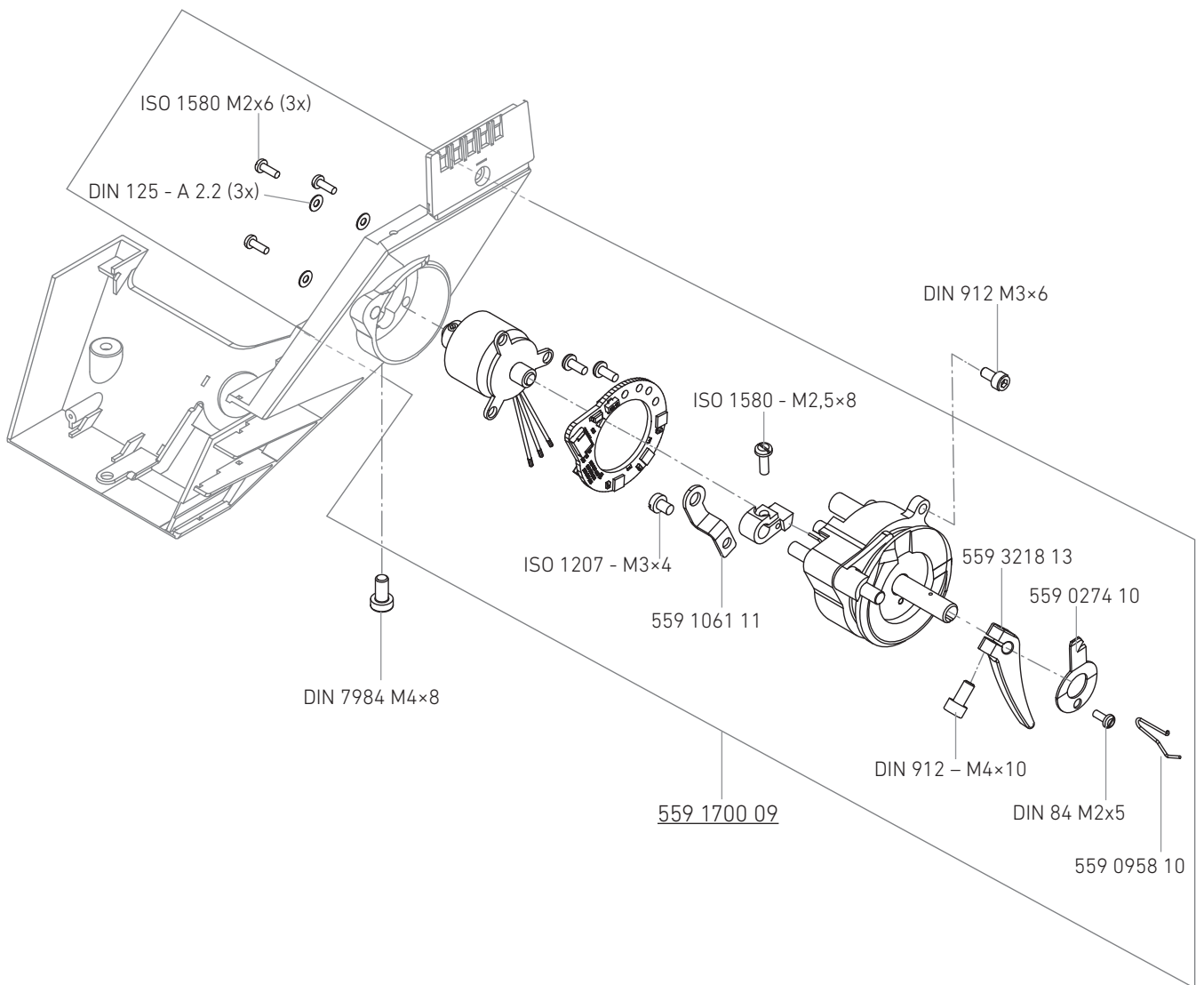
-1-2



01. HEAD MODULE

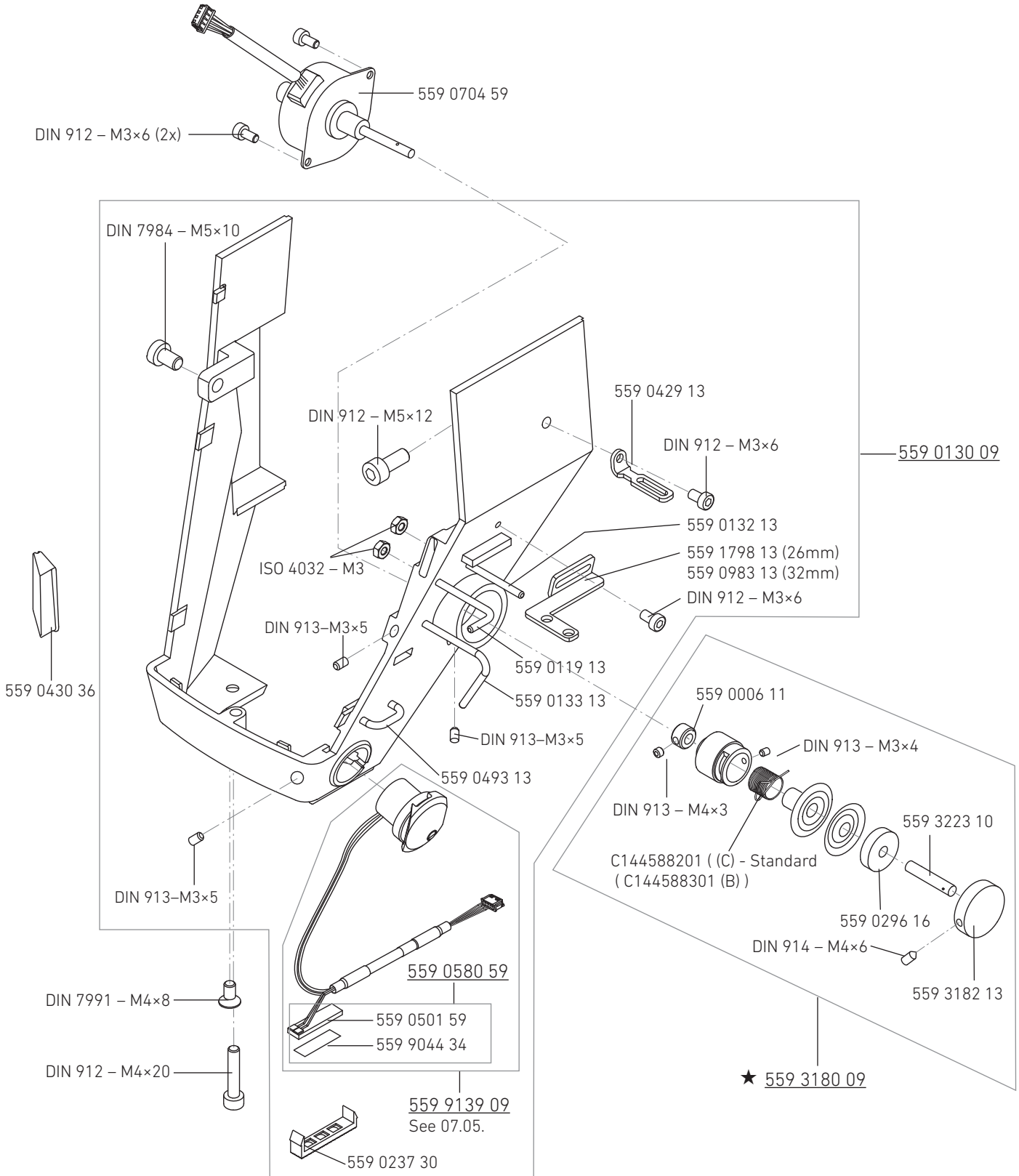
02.01. CONTROL & BOBBIN WINDER

-2-2



01. HEAD MODULE

03. THREAD GUIDE ASSY - 1-NEEDLE / DEEPSTITCH
-1-2

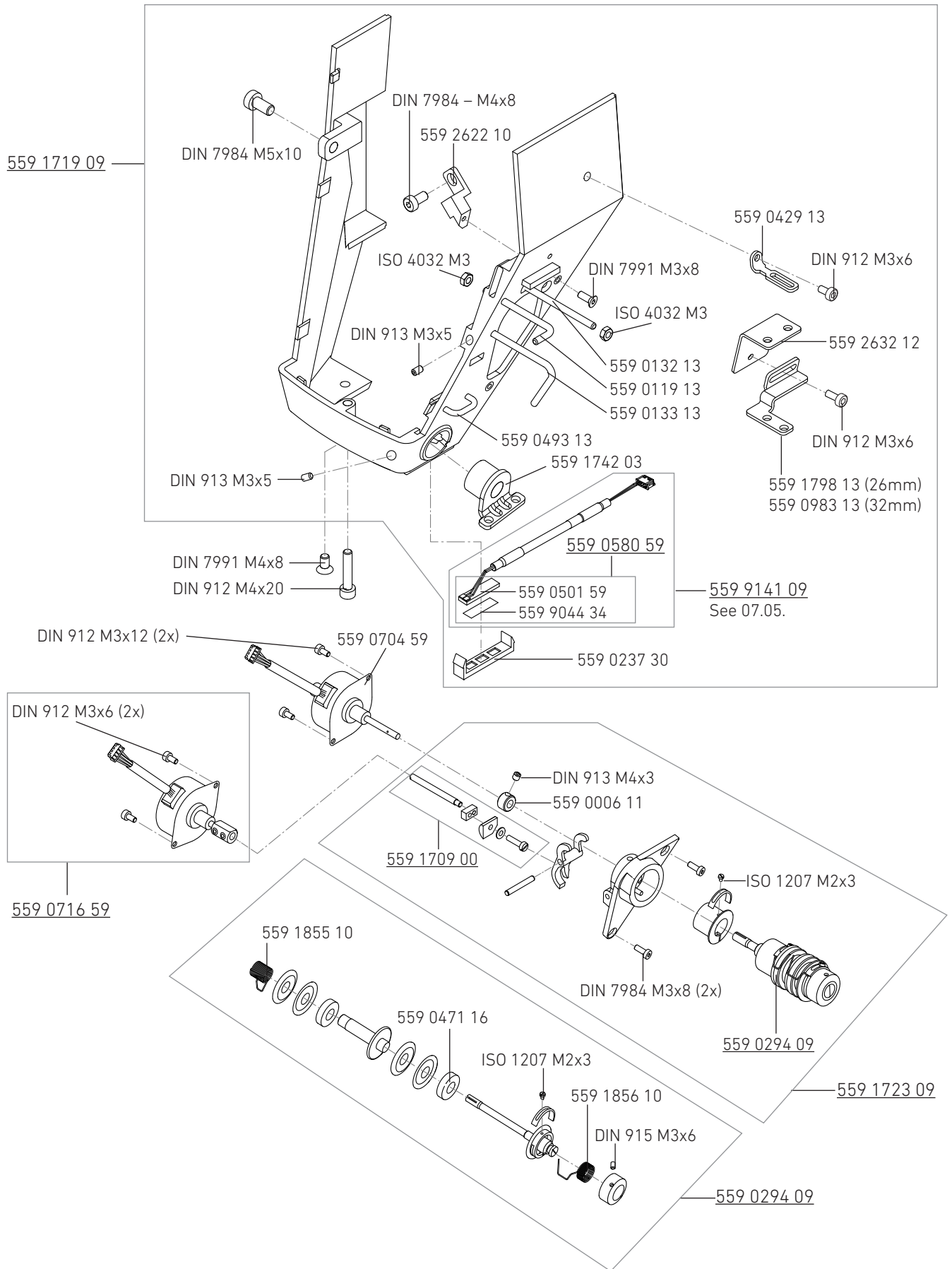




01. HEAD MODULE

03.01. THREAD GUIDE ASSY

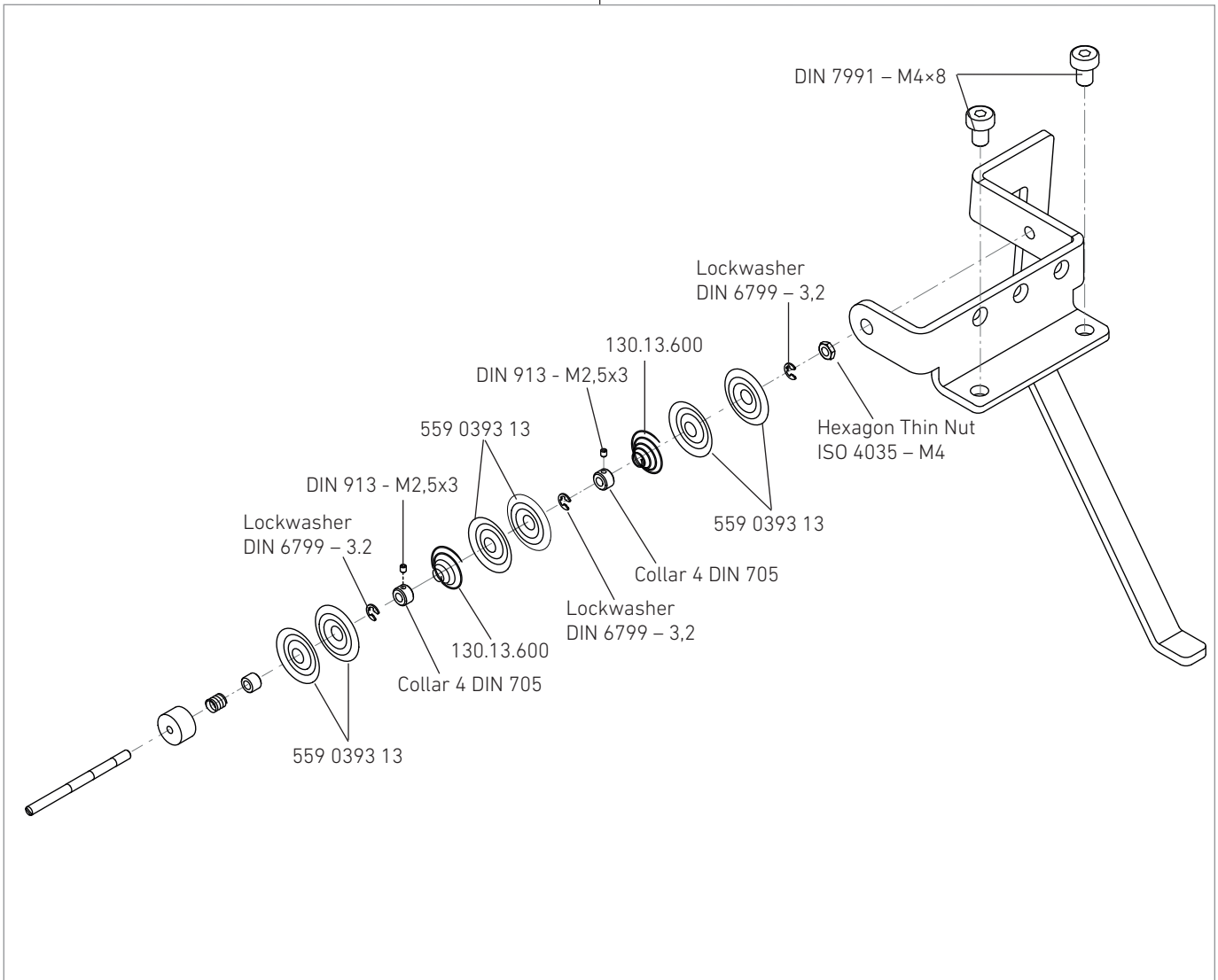
-2-2

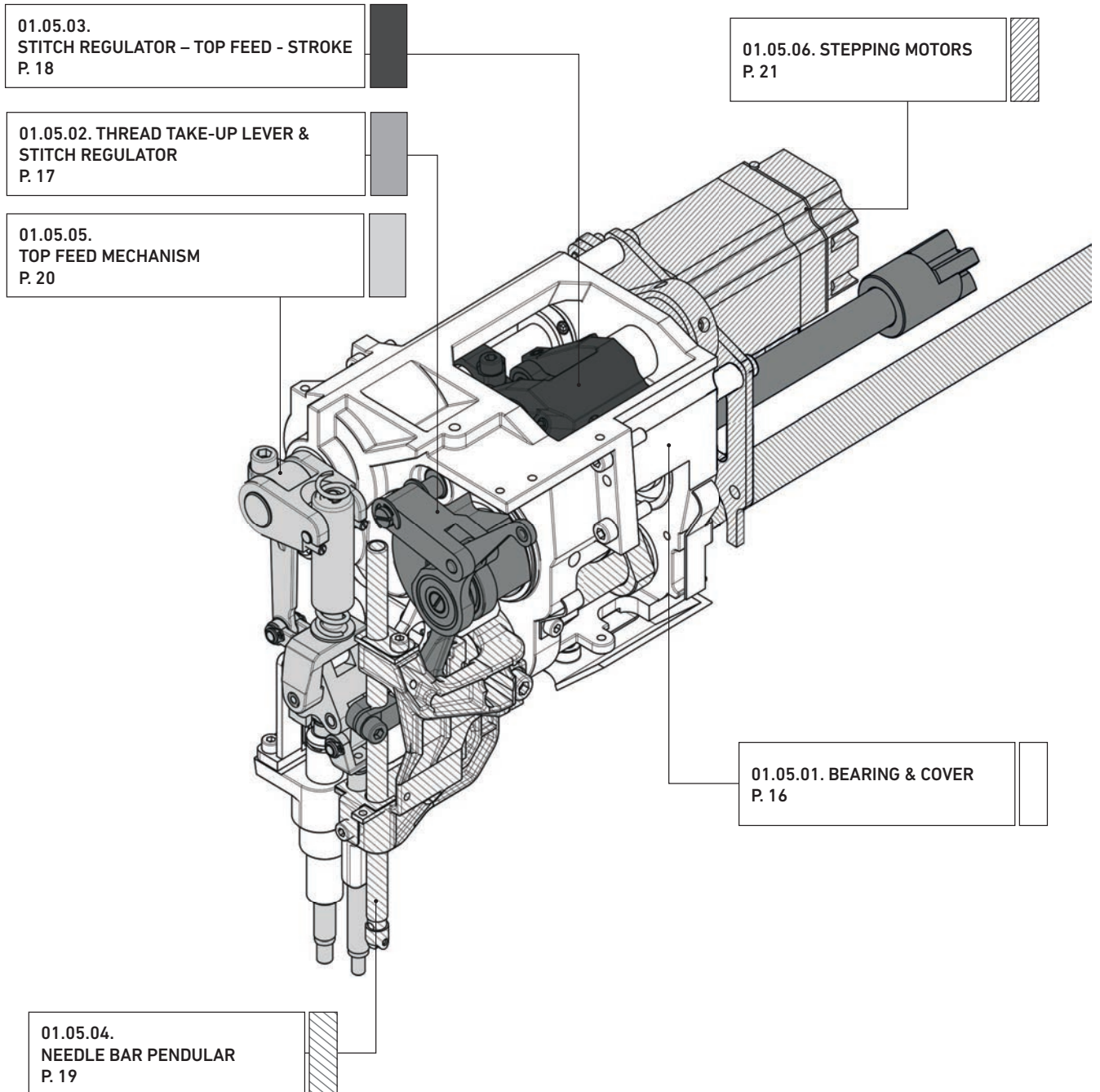


01. HEAD MODULE

04. THREAD GUIDE ASSY

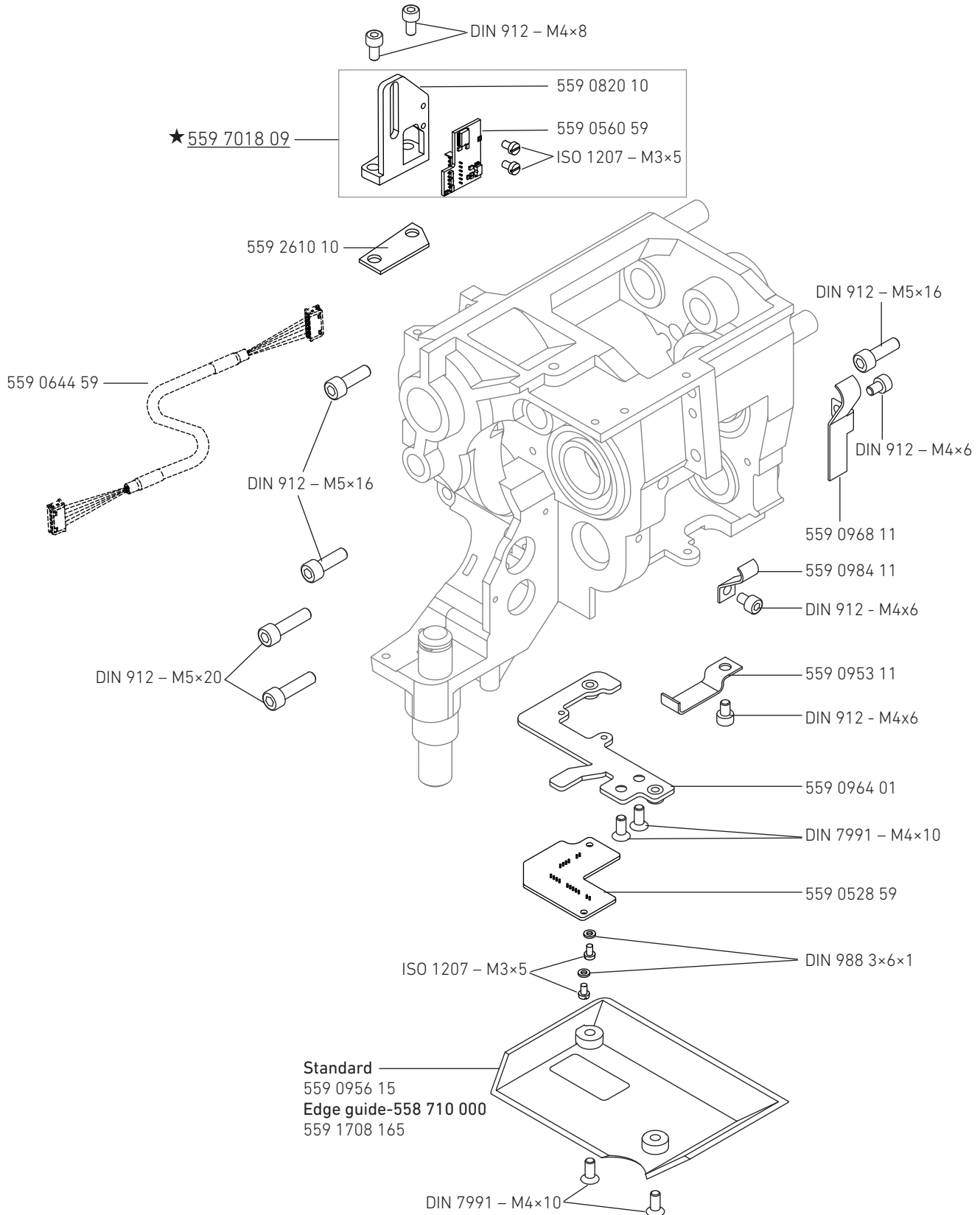
559 0926 09





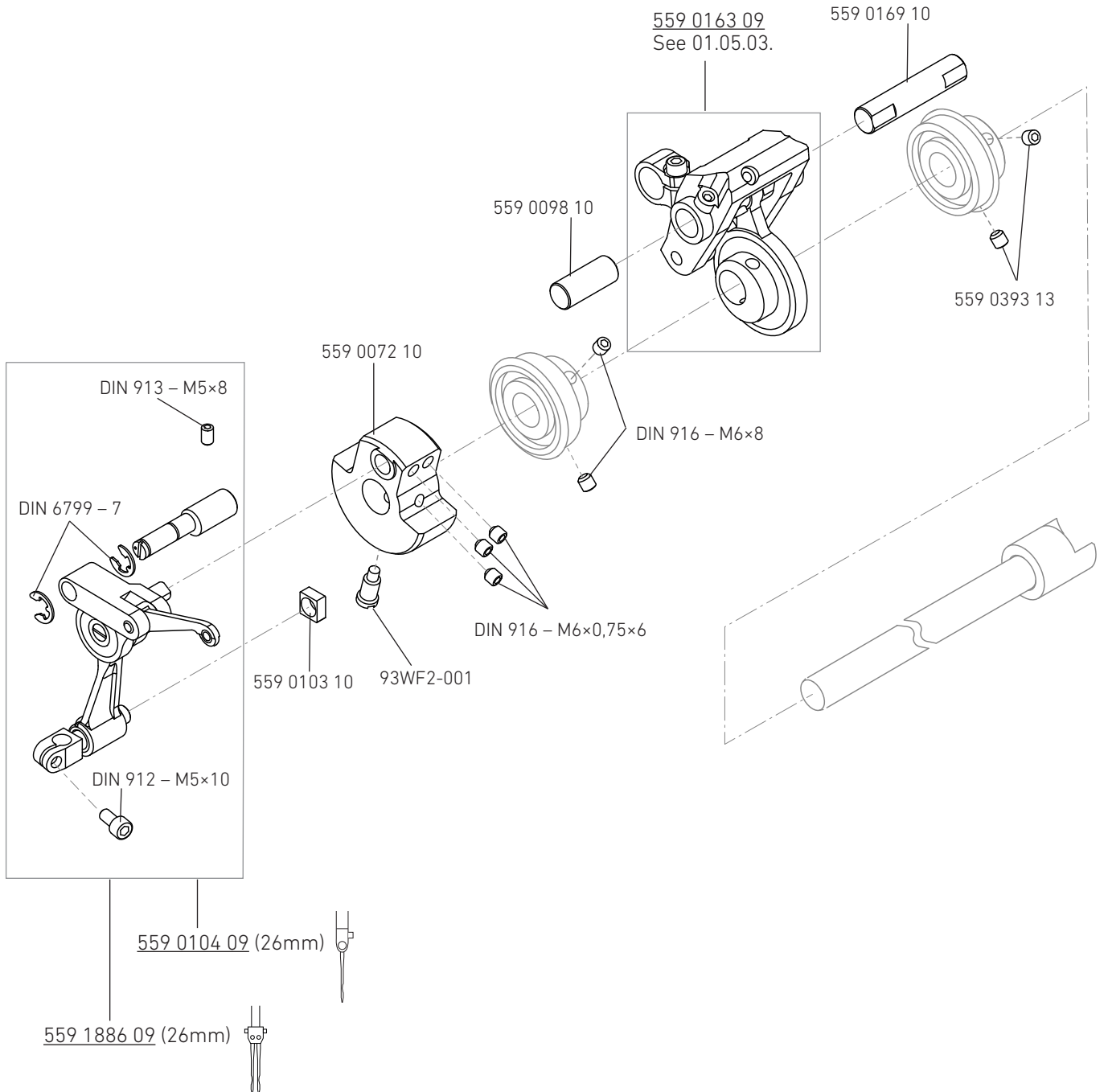
01. HEAD MODULE

05.01. BEARING & COVER



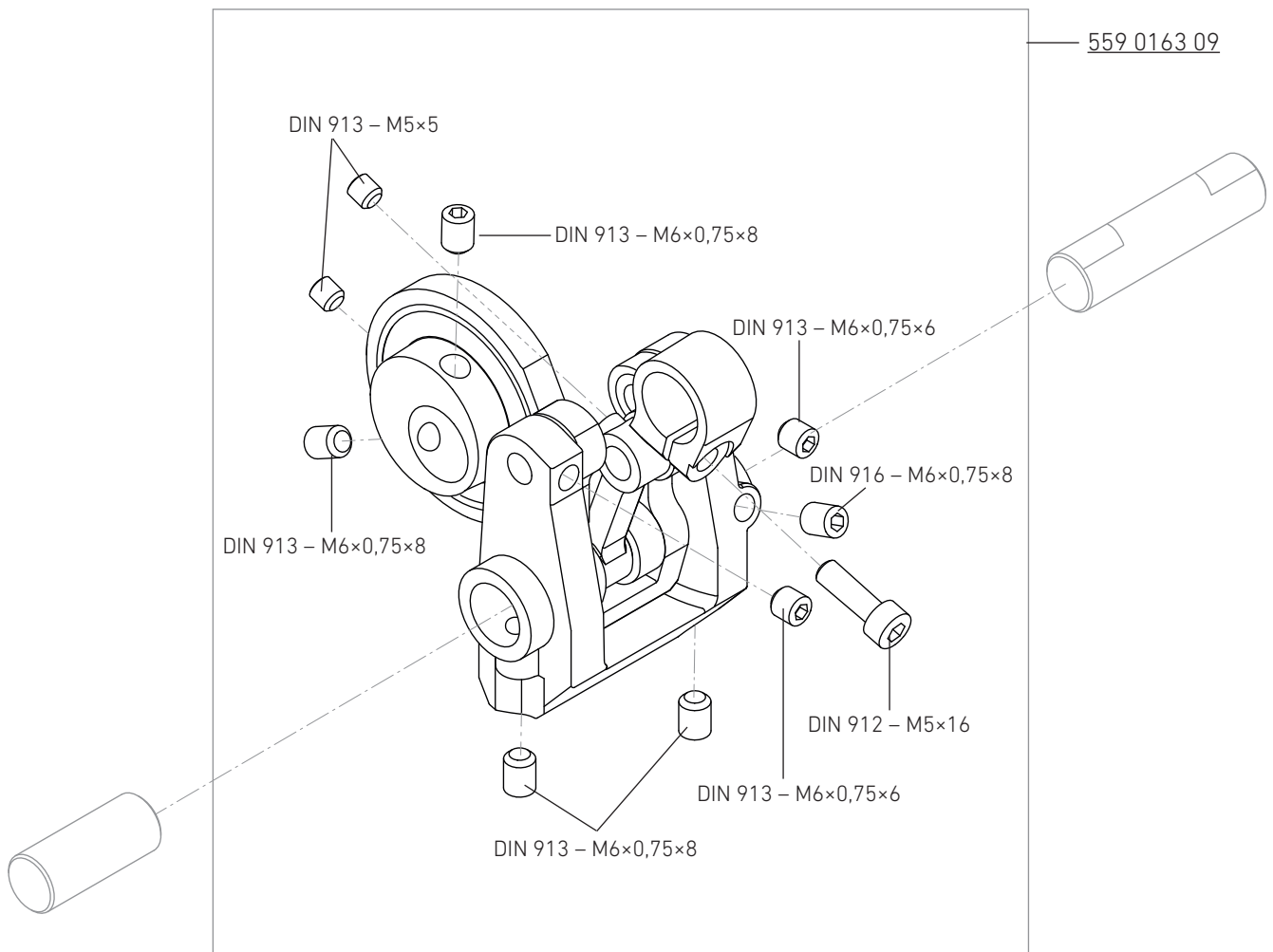
01. HEAD MODULE

05.02. THREAD TAKE-UP LEVER & STITCH REGULATOR



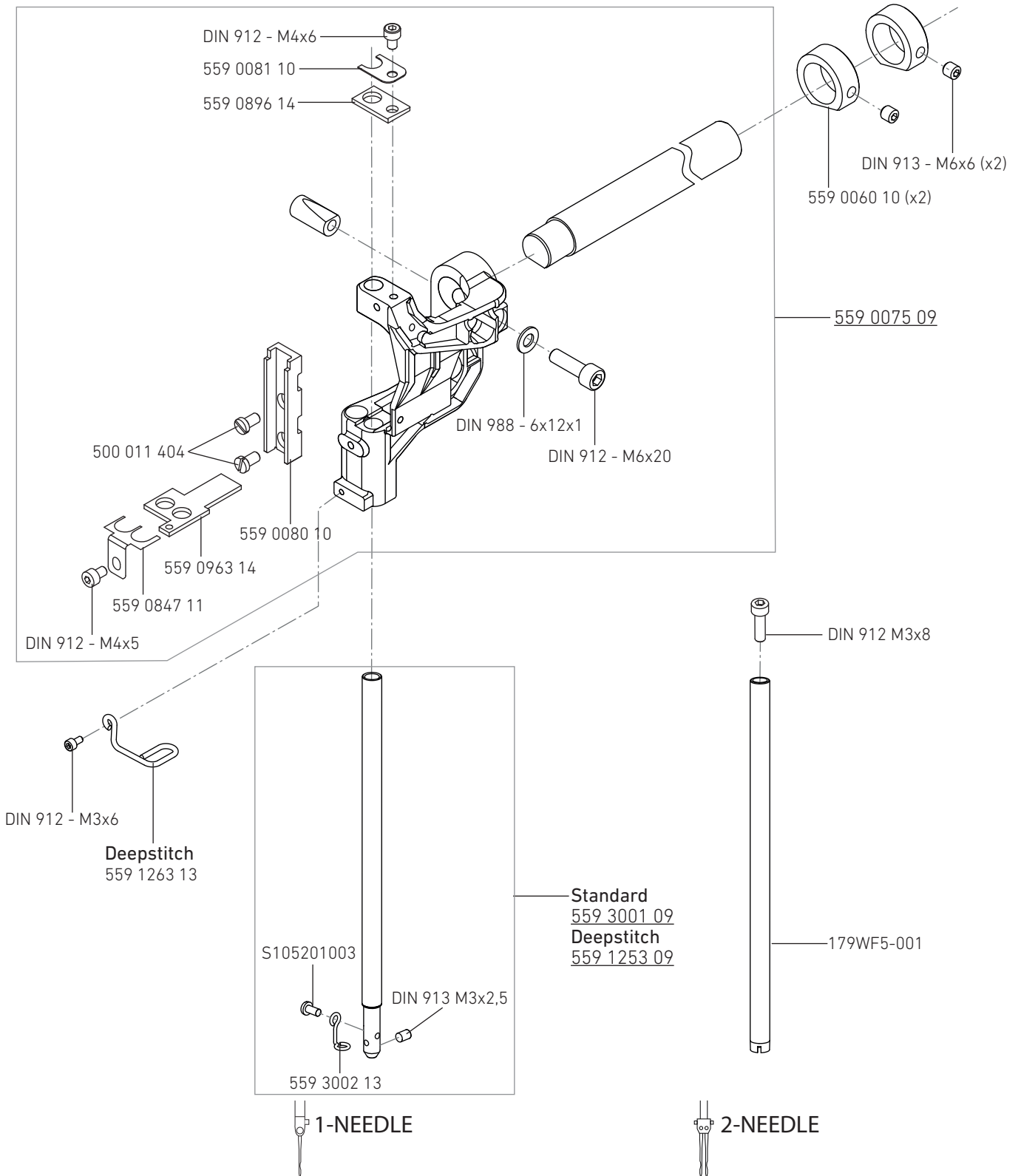
01. HEAD MODULE

05.03. STITCH REGULATOR – TOP FEED – STROKE



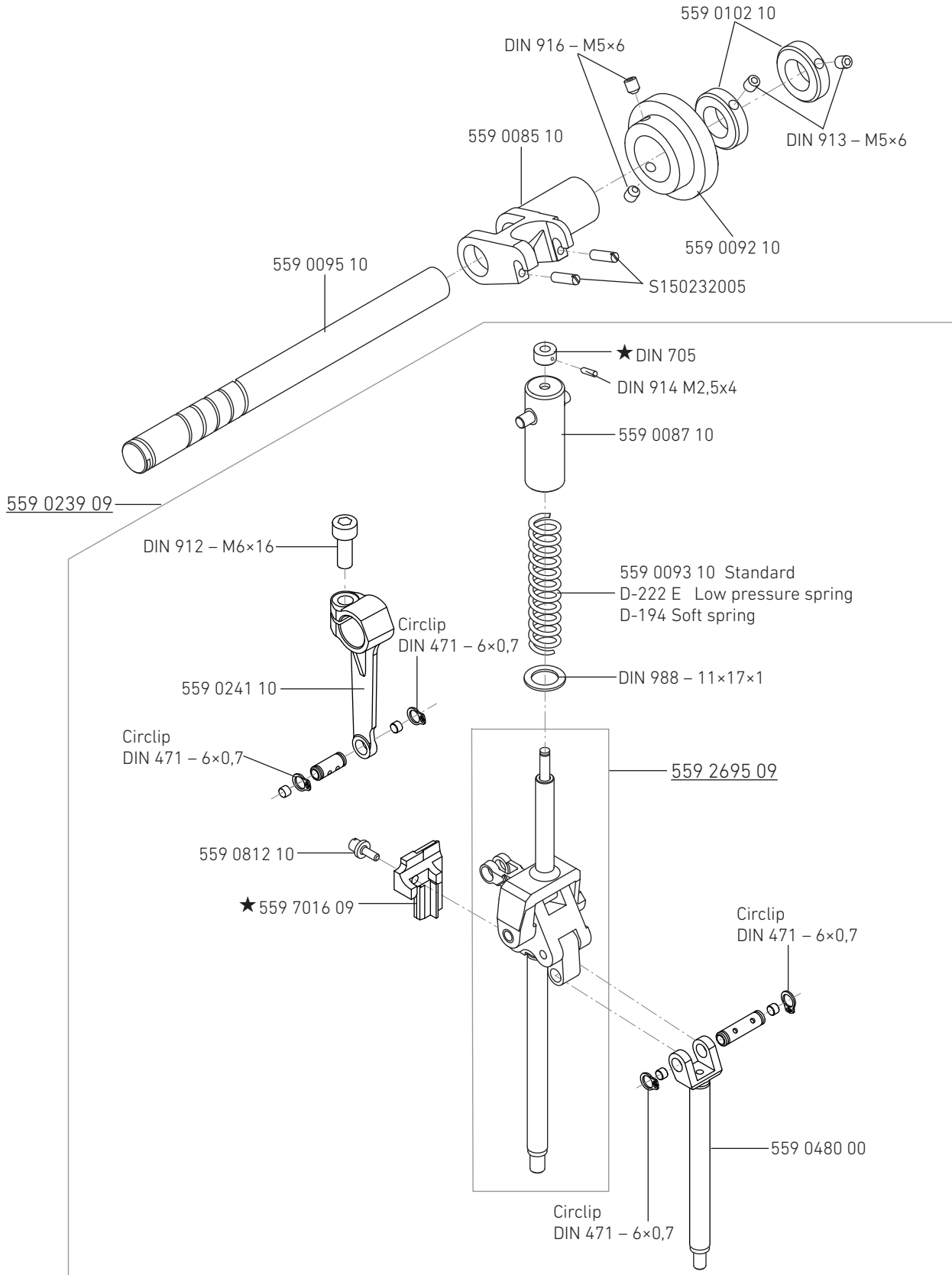
01. HEAD MODULE

05.04. NEEDLE BAR PENDULAR



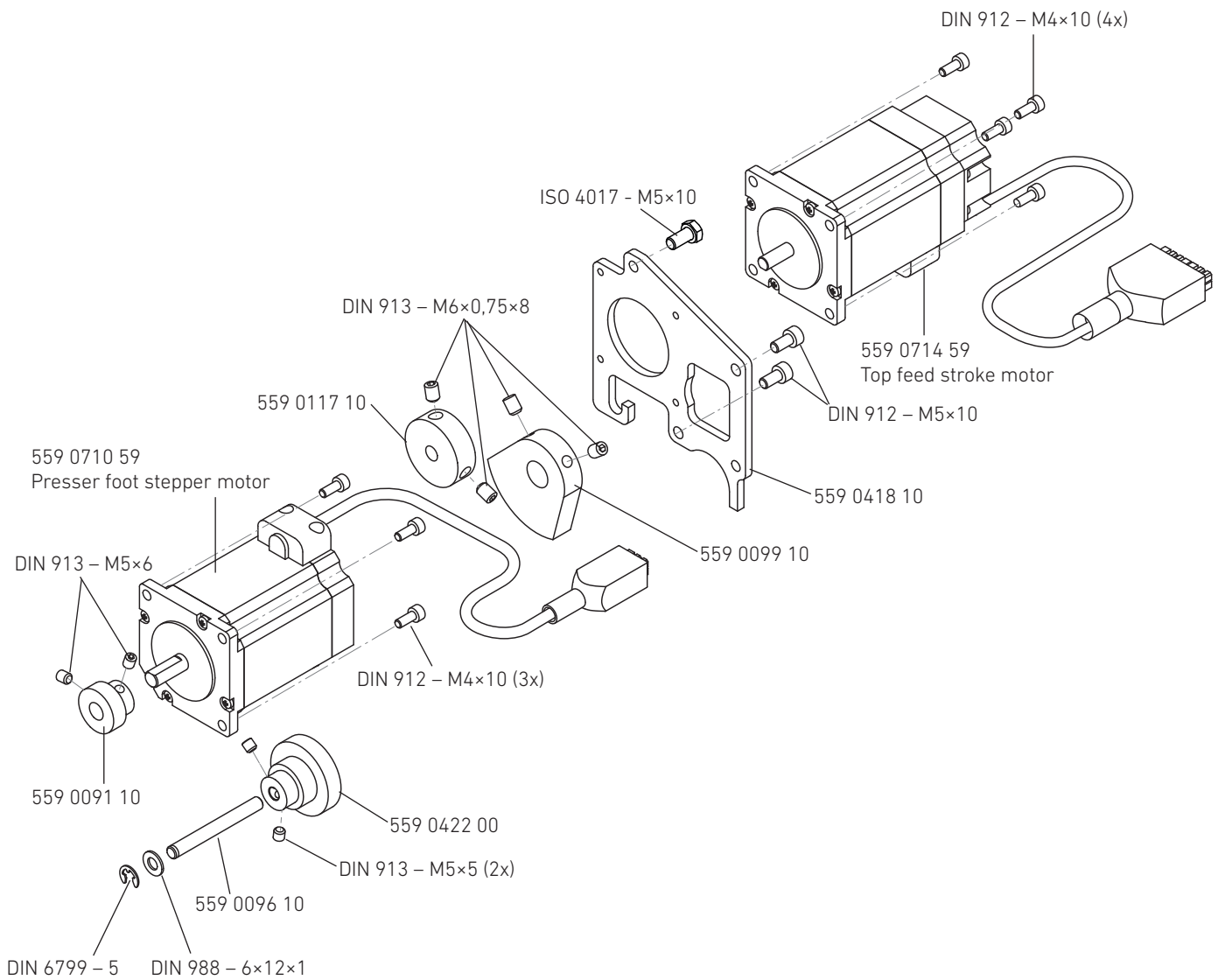
01. HEAD MODULE

05.05. TOP FEED MECHANISM



01. HEAD MODULE

05.06. STEPPING MOTORS



01. HEAD MODULE

06. PREVIOUS VERSIONS



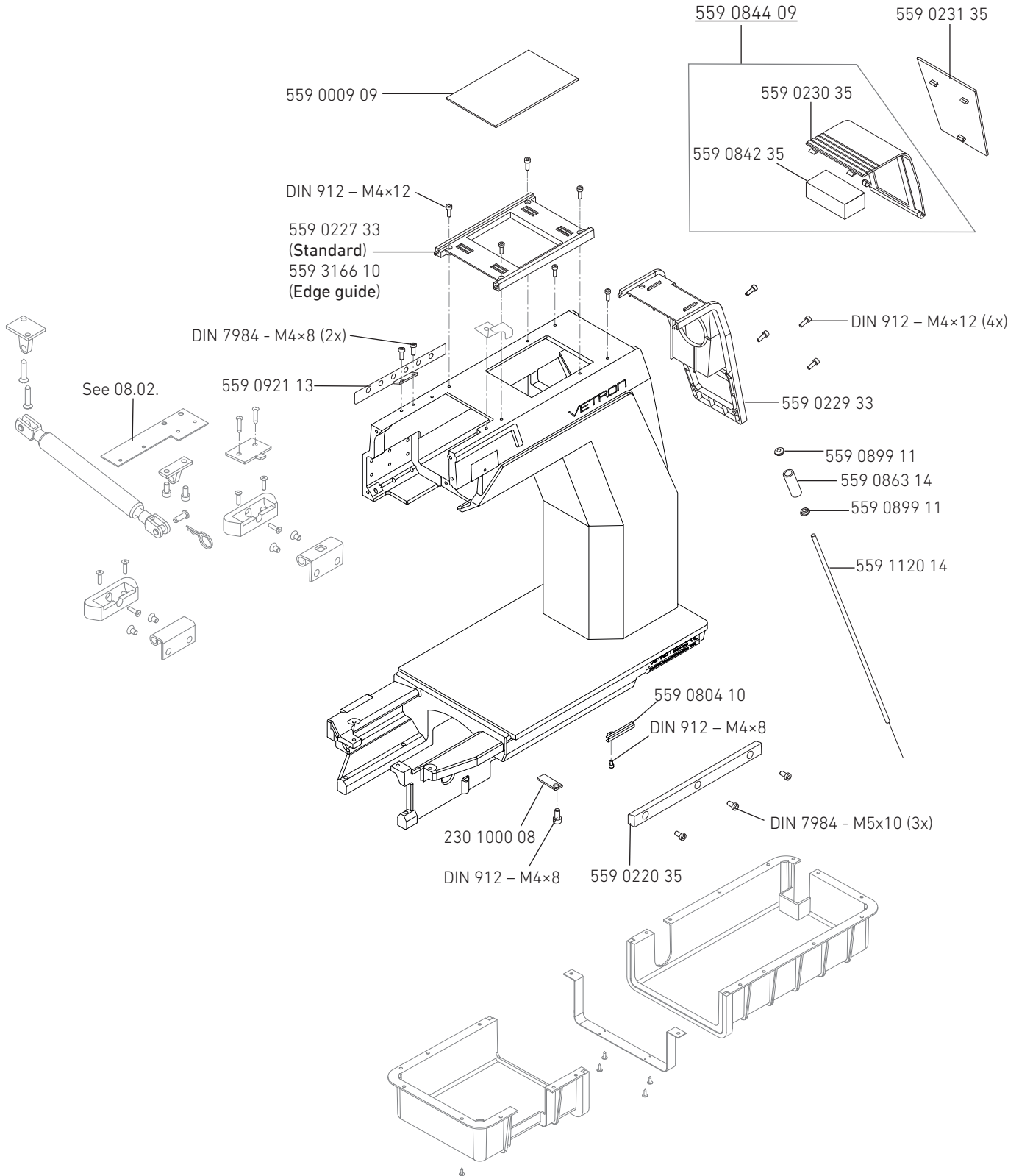
NOTE!

These parts have been replaced by new designed parts.
After consumption they will no longer be available.

PREVIOUS VERSION		IS REPLACED BY
		559 7018 09 Foot distance sensor assy 559 0560 59 Foot distance sensor PCB assy
	If you need to order the PCB or the holder assy, you need to order: 559 7021 09 (contains 559 0560 09 PCB and 559 7016 09 Holder assy)	559 7016 09 Holder assy (is assembled with: 559 0809 10 Holder 559 7017 10 Magnet stripe)
		DIN 705 (4x8x5) Bushing with screw DIN 914 M2,5x4
		559 3180 09 1-Needle Thread tension assy

24 01. FRAME MODULE

02. FRAME MODULE



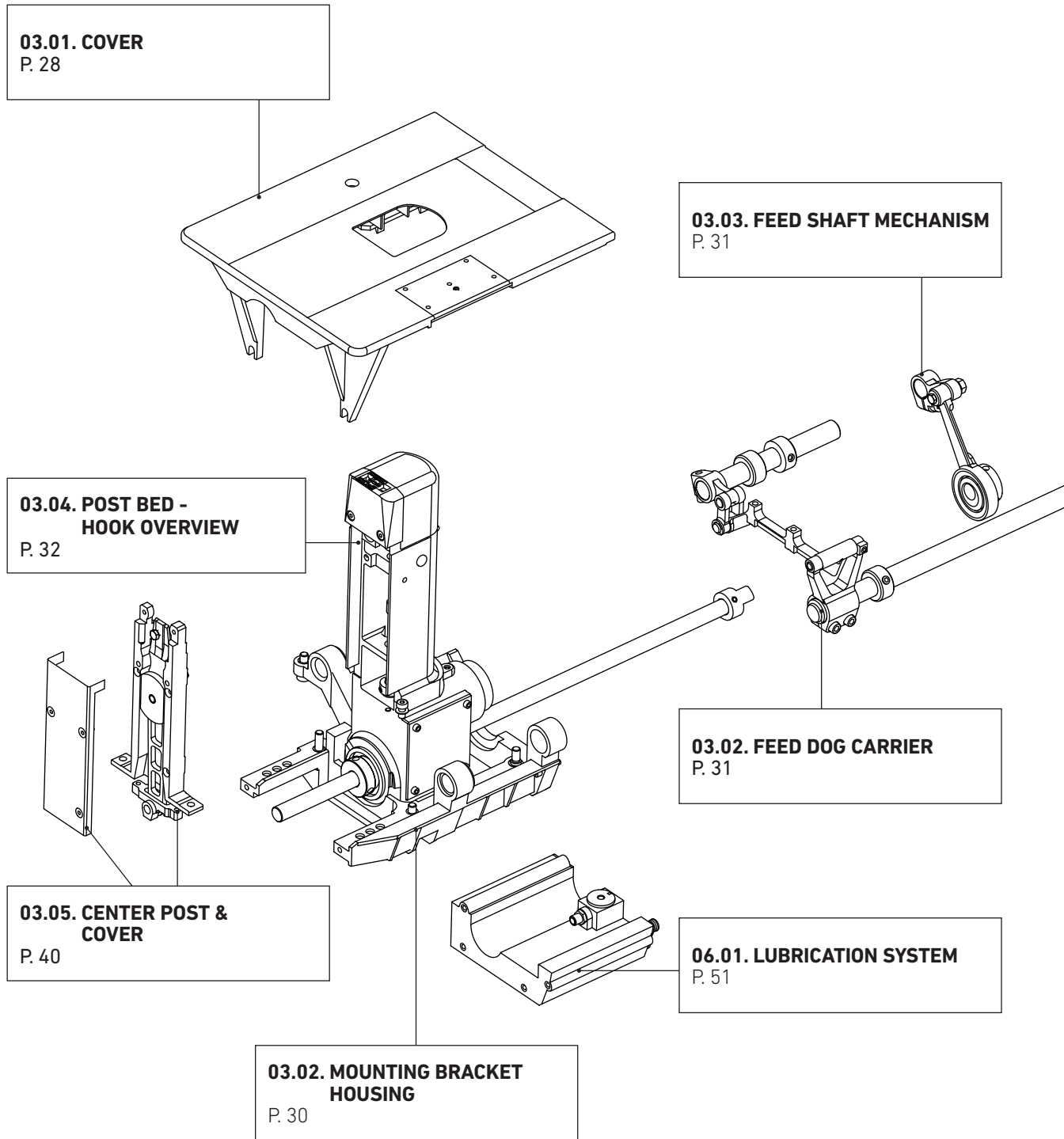
03. BASE MODULE

557 213 000 (1-NEEDLE)
557 223 000 (2-NEEDLE)
557 216 000 (DEEPSTITCH)

26	TECHNOLOGY MODULE – OVERVIEW -1-NEEDLE / DEEPSTITCH
27	TECHNOLOGY MODULE – OVERVIEW - 2-NEEDLE
28	01.02. COVER - 1-NEEDLE / DEEPSTITCH
29	01.01. COVER - 2-NEEDLE
30	02. MOUNTING BRACKET HOUSING
31	03. FEED DOG CARRIER & FEED SHAFT MECHANISM
32	04. HOOK OVERVIEW - 1-NEEDLE / DEEPSTITCH
33	04.01. HOOK OVERVIEW - 2-NEEDLE
35	04.03. HOOK CARRIER & COVER
36	04.04. MECHANICAL OPENER
37	04.05. THREAD CUTTER
38	04.06. HOOK DRIVE SHAFT - 1 NEEDLE / DEEPSTITCH
39	04.07. HOOK DRIVE SHAFT / 2 NEEDLE
40	05. CENTER POST & COVER - 1 NEEDLE / DEEPSTITCH
41	05. CENTER POST / 2 NEEDLE

03. BASE MODULE

TECHNOLOGY MODULE – OVERVIEW -1-NEEDLE / DEEPSTITCH

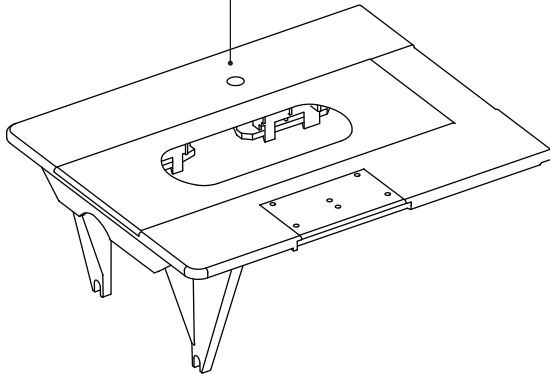


03. BASE MODULE

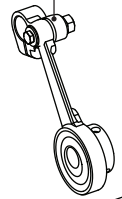
TECHNOLOGY MODULE – OVERVIEW - 2-NEEDLE



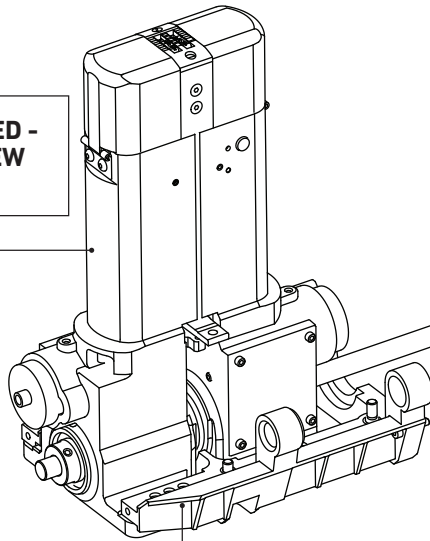
03.01. COVER
P. 29



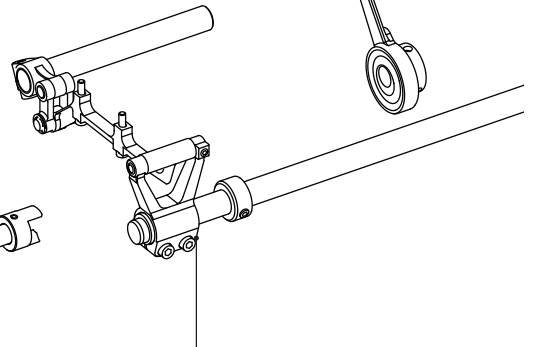
03.03. FEED SHAFT MECHANISM
P. 31



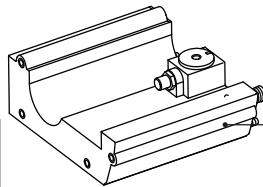
03.04. POST BED - HOOK OVERVIEW
P. 33



03.03. FEED DOG CARRIER
P. 31



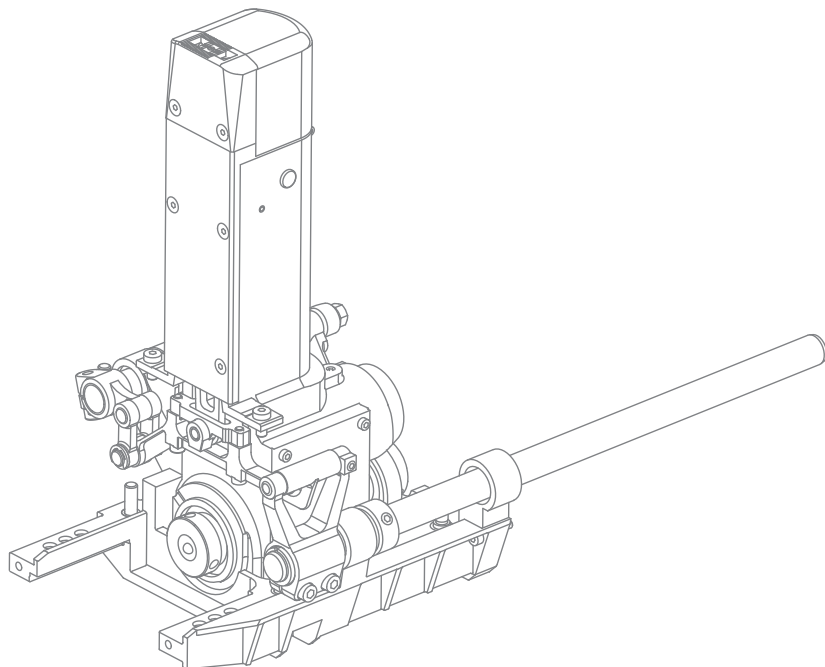
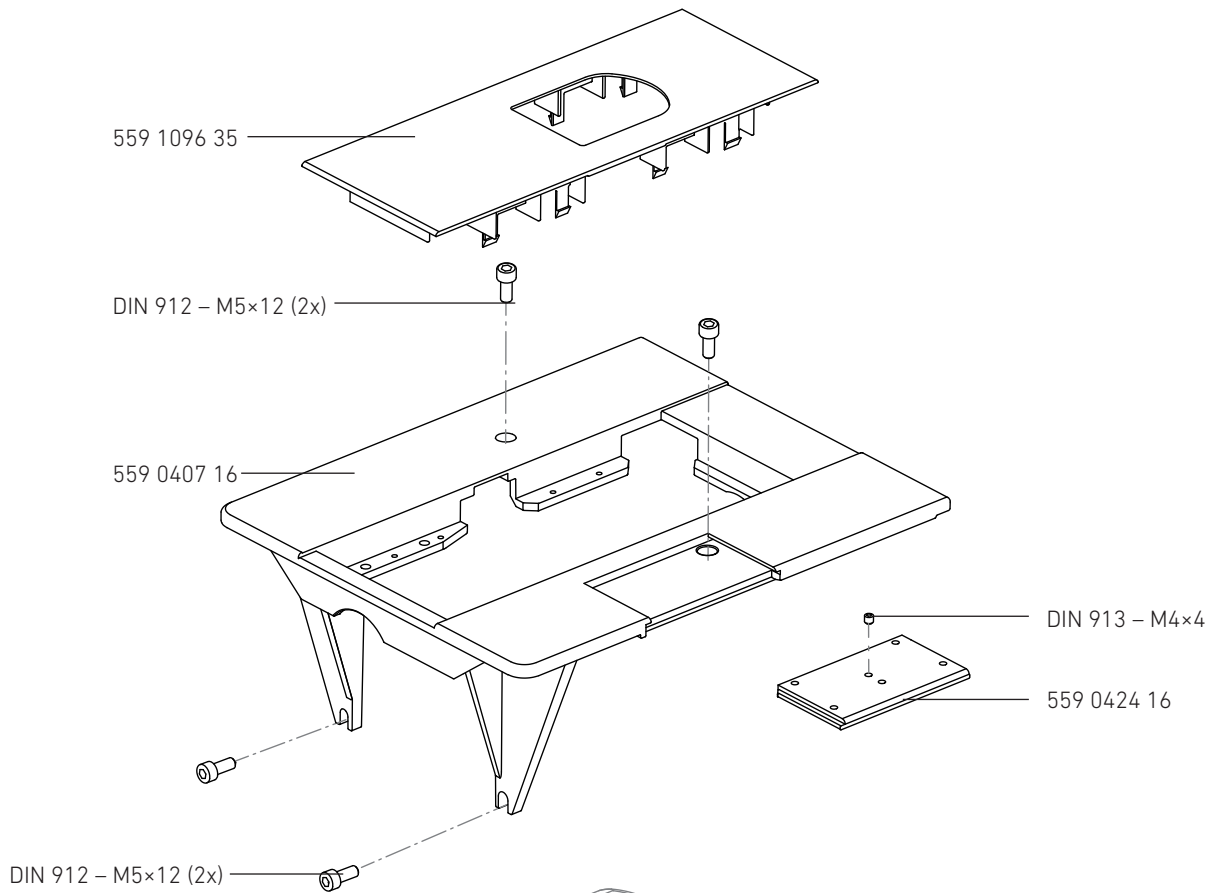
03.02. MOUNTING BRACKET HOUSING
P. 30



06.01. LUBRICATION SYSTEM
P. 51

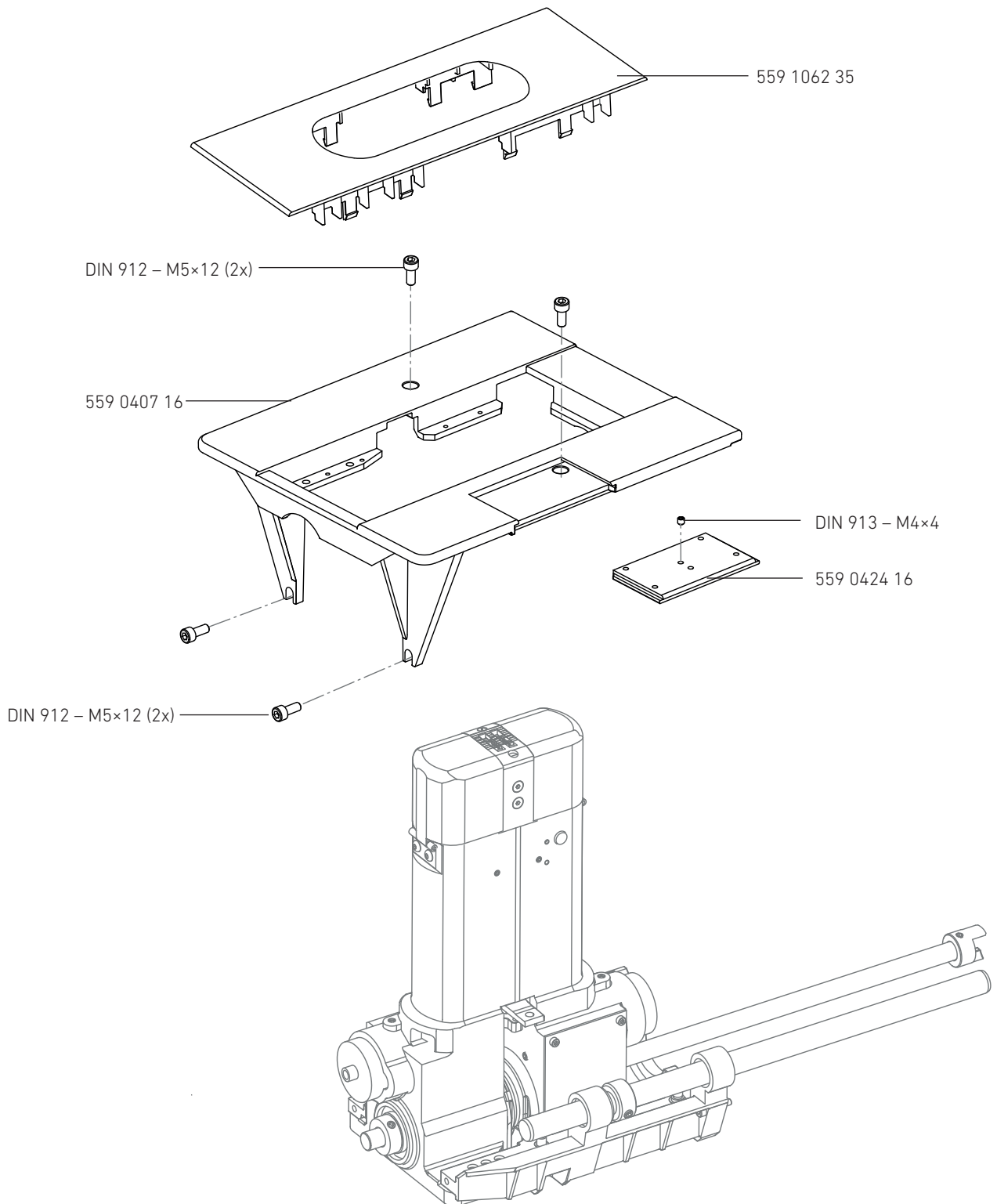
03. BASE MODULE

01.02. COVER - 1-NEEDLE / DEEPSTITCH



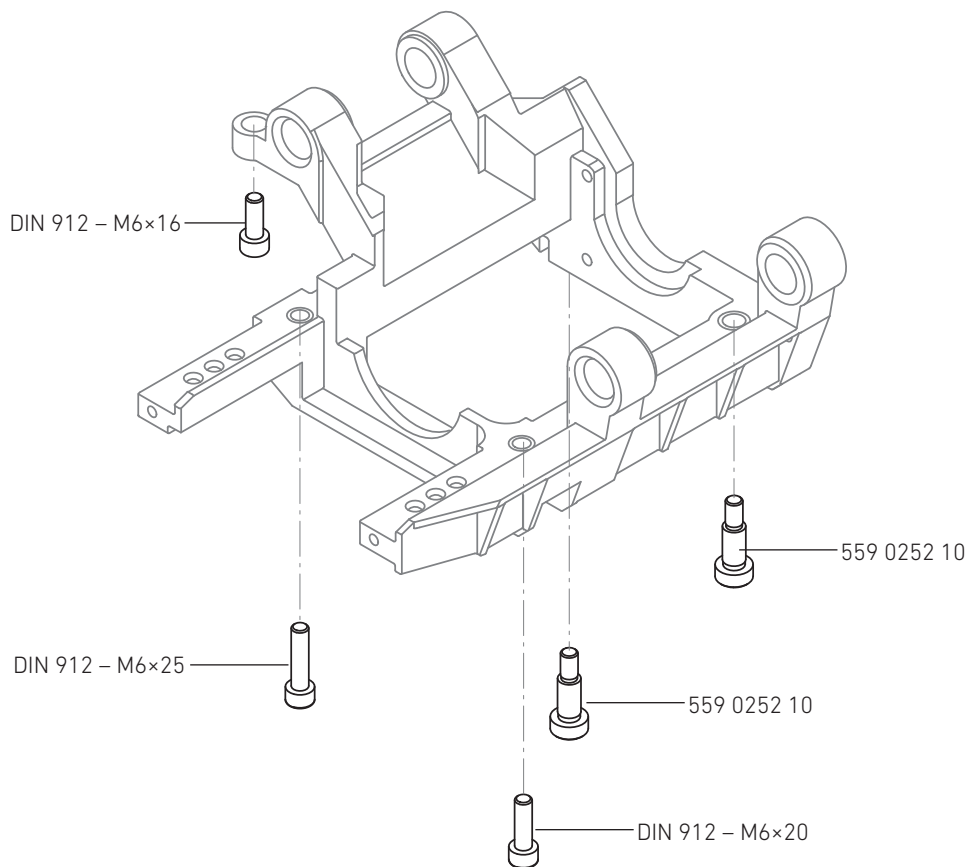
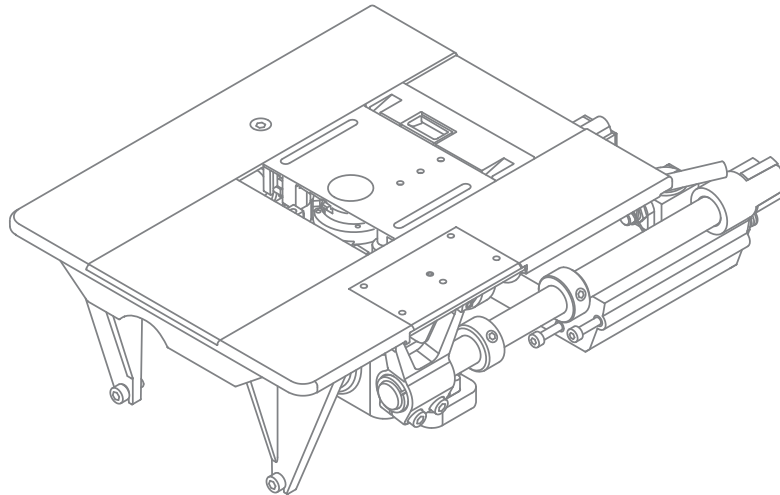
03. BASE MODULE

01.01. COVER - 2-NEEDLE



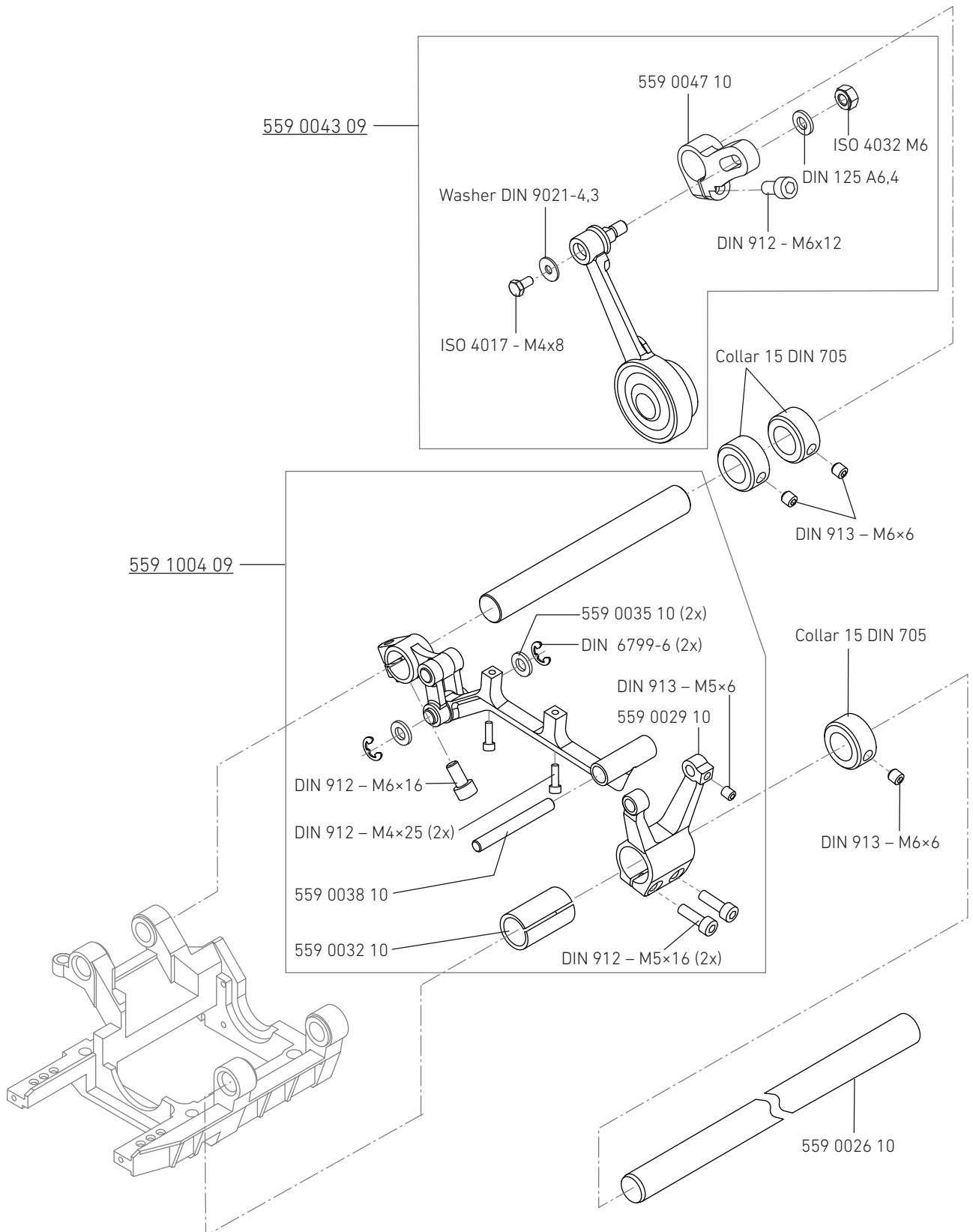
03. BASE MODULE

02. MOUNTING BRACKET HOUSING



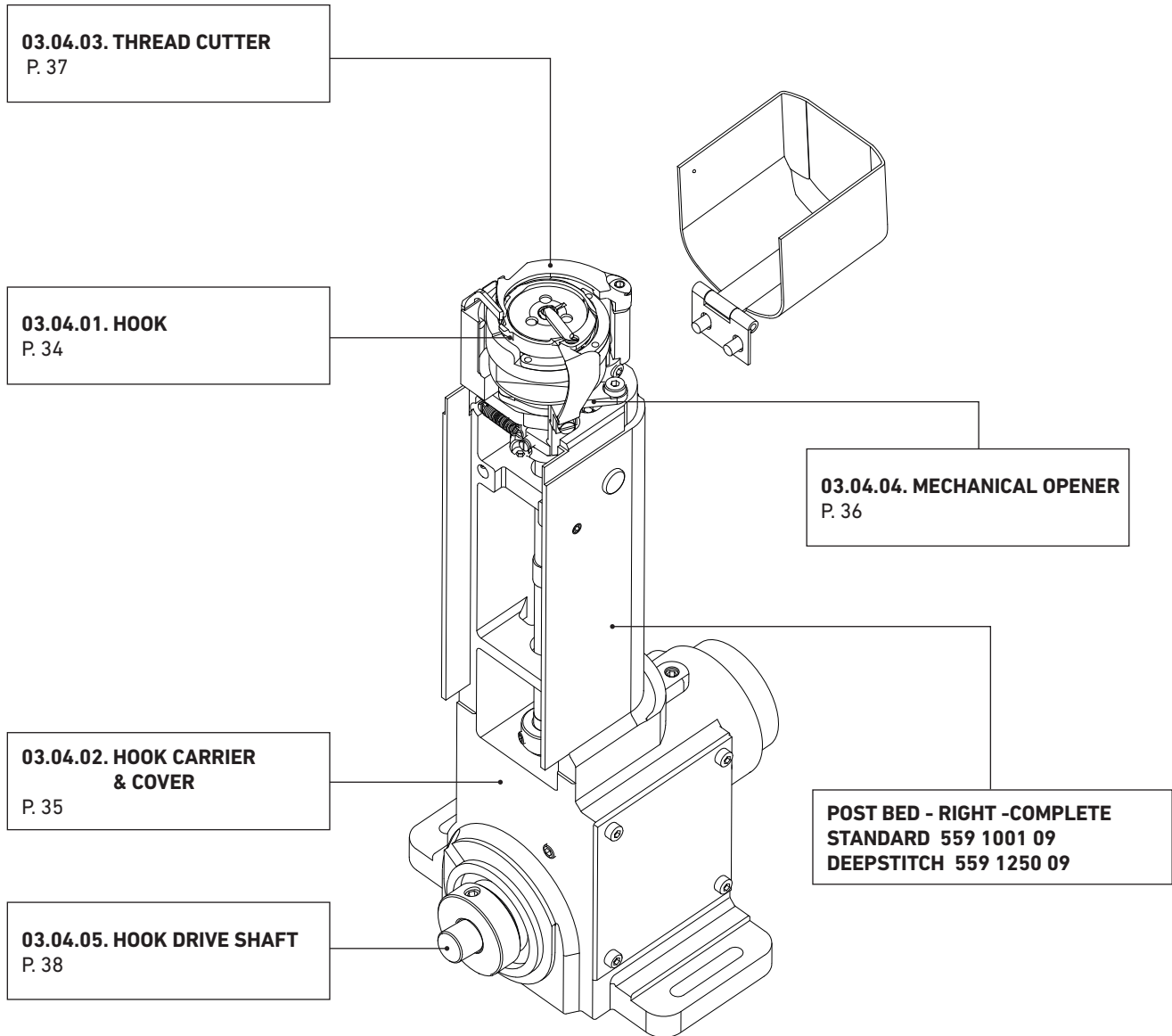
03. BASE MODULE

03. FEED DOG CARRIER & FEED SHAFT MECHANISM



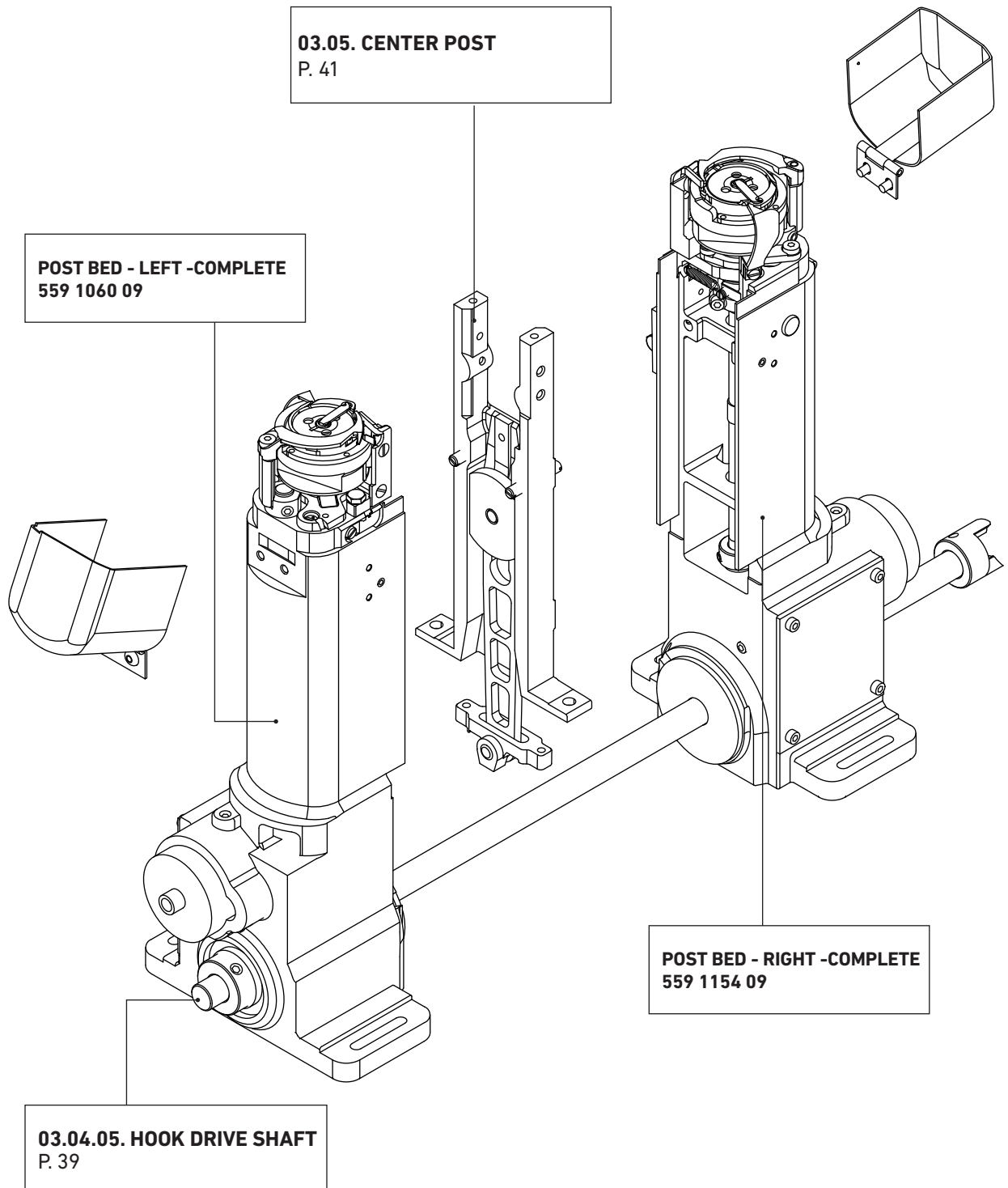
03. BASE MODULE

04. HOOK OVERVIEW - 1-NEEDLE / DEEPSTITCH



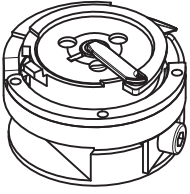
03. BASE MODULE

04.01. HOOK OVERVIEW - 2-NEEDLE



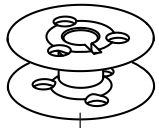
03. BASE MODULE

04.02. HOOK

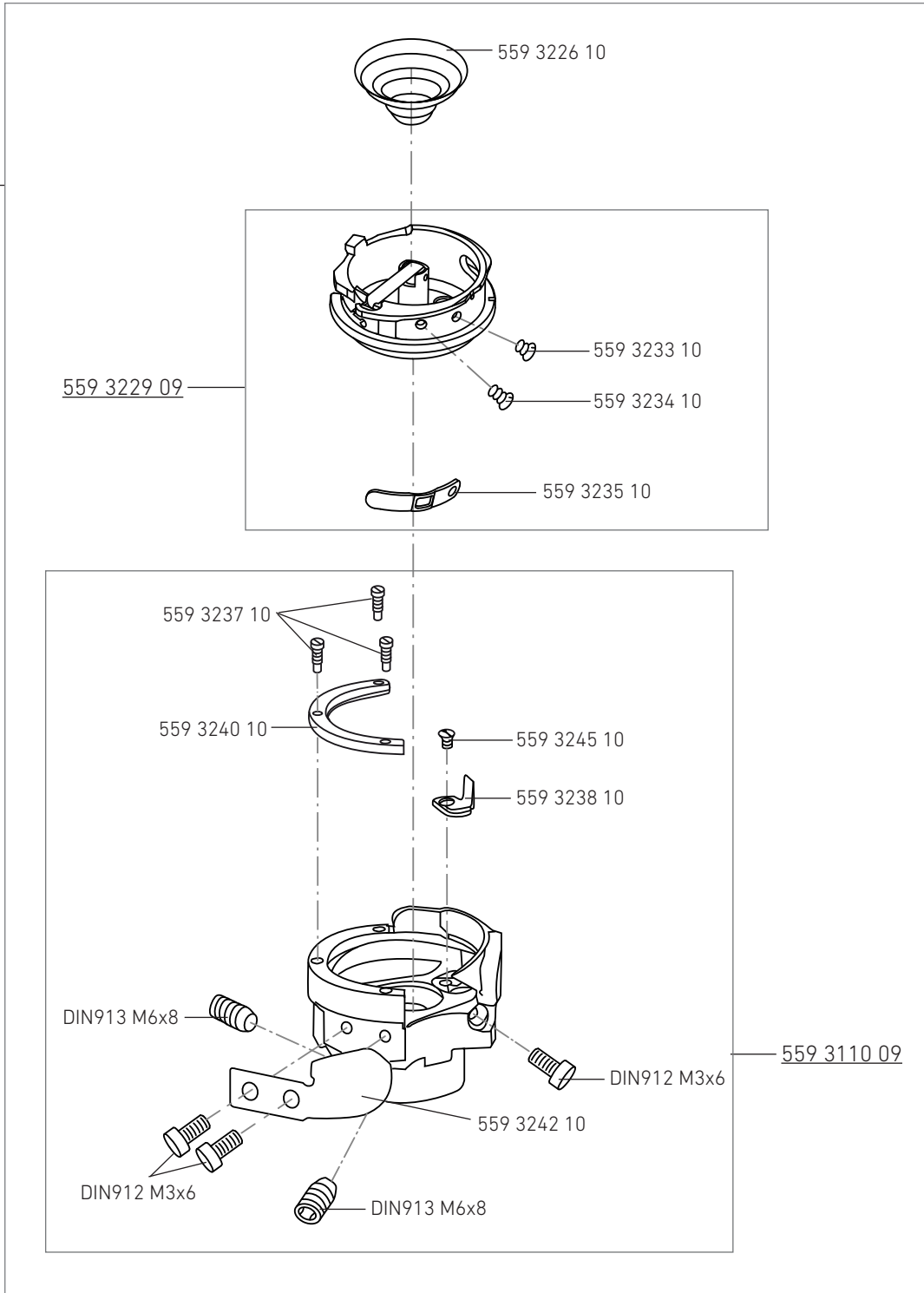


559 0960 09

559 3229 09

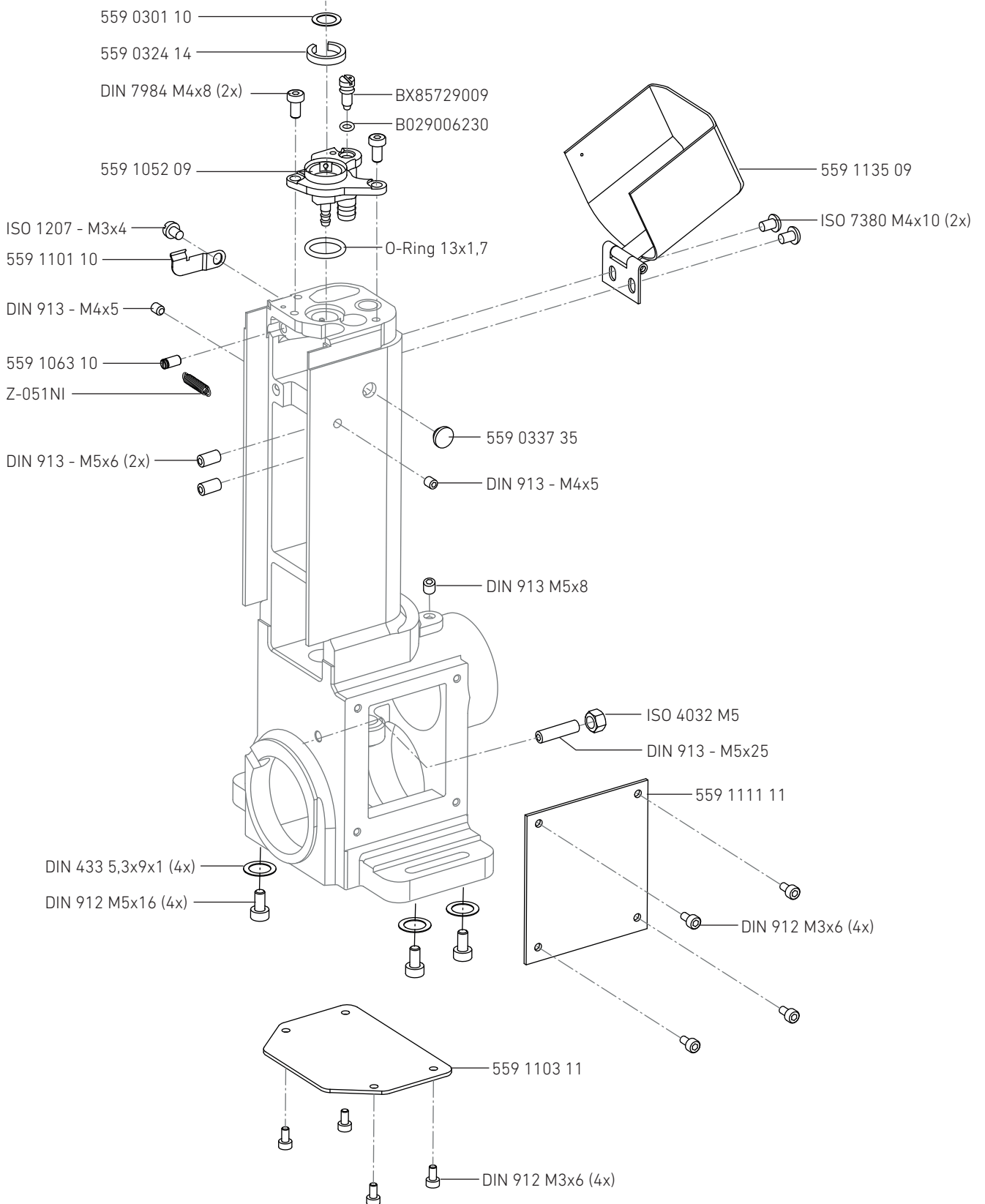


559 2679 10



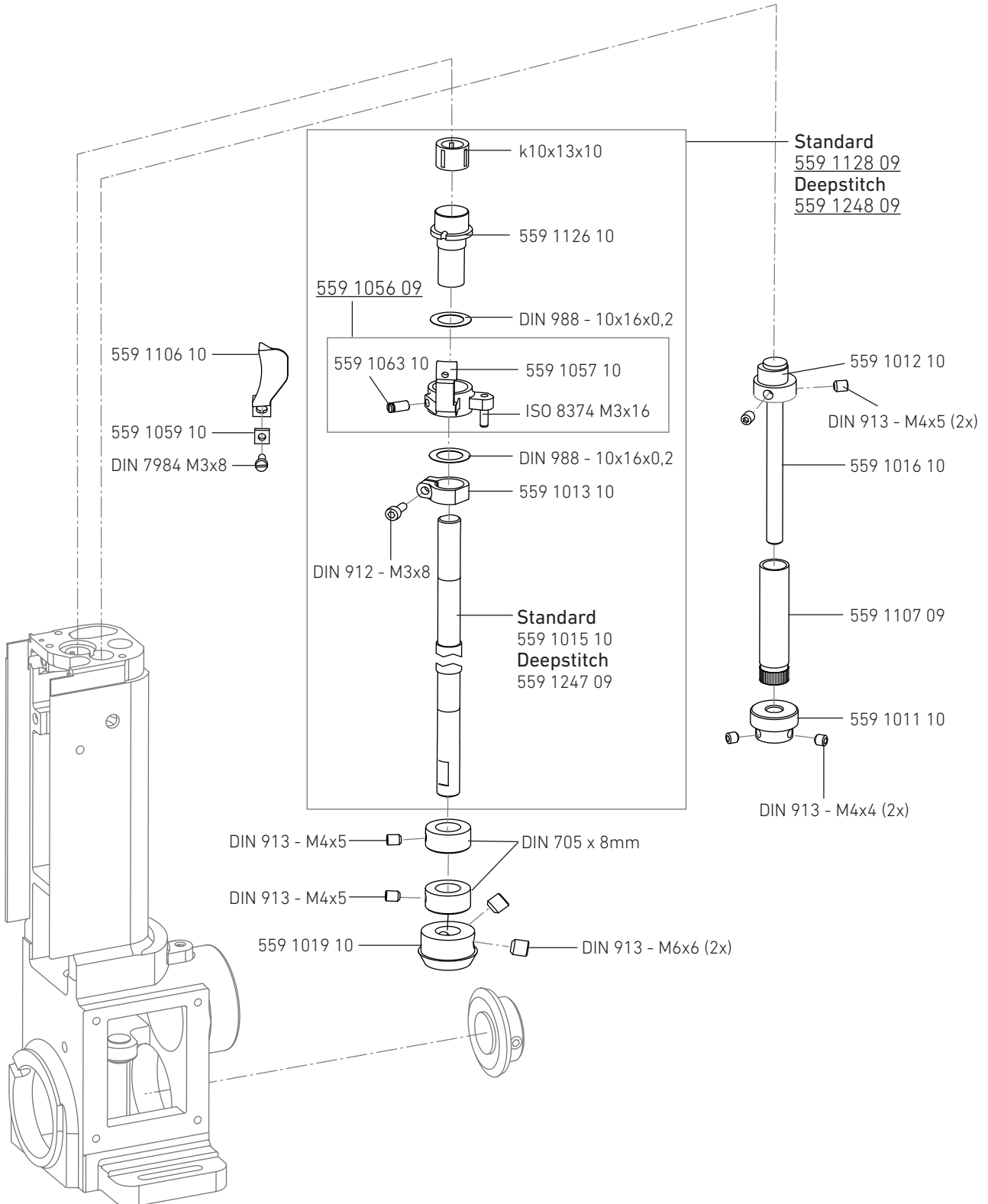
03. BASE MODULE

04.03. HOOK CARRIER & COVER



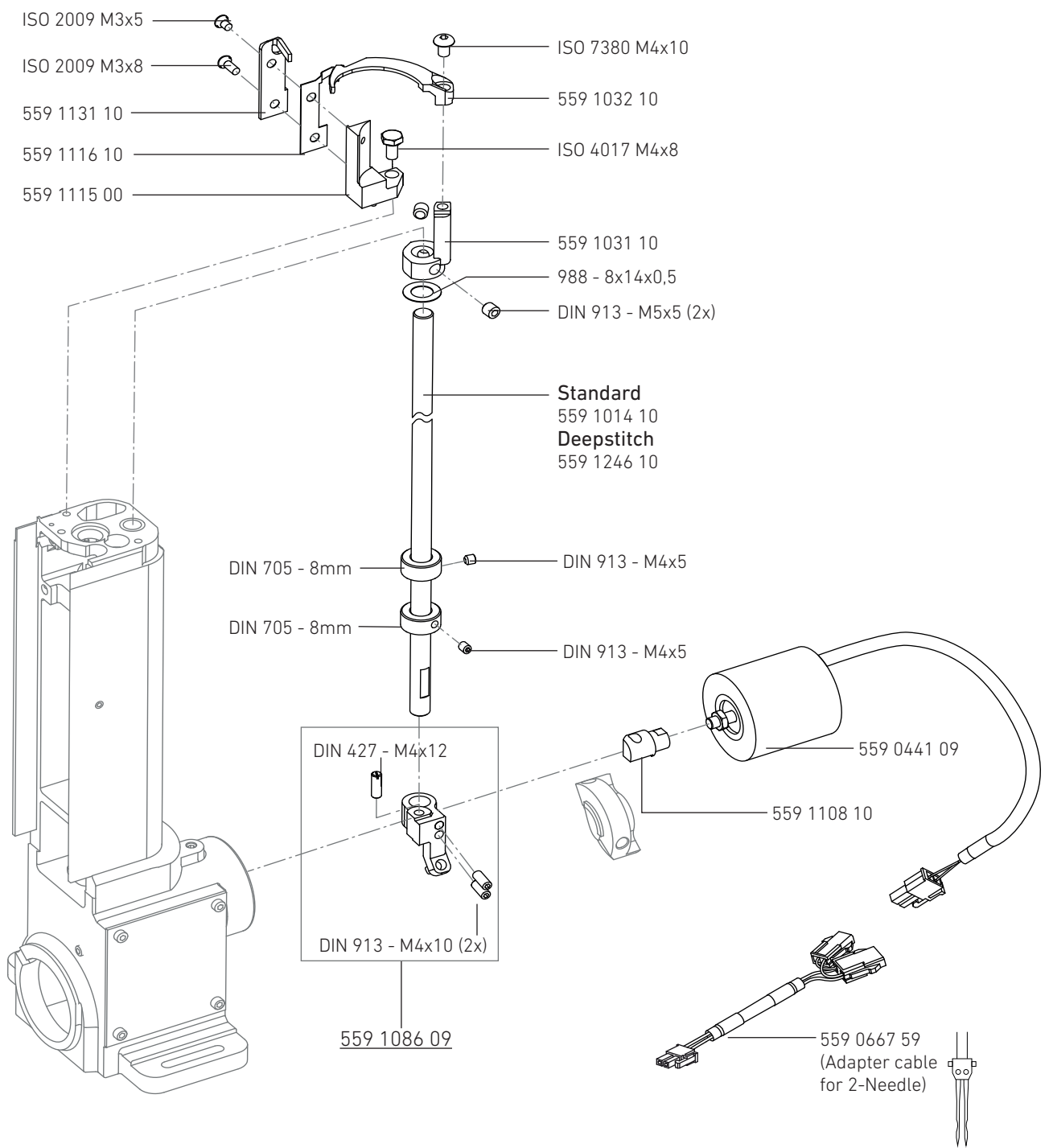
03. BASE MODULE

04.04. MECHANICAL OPENER



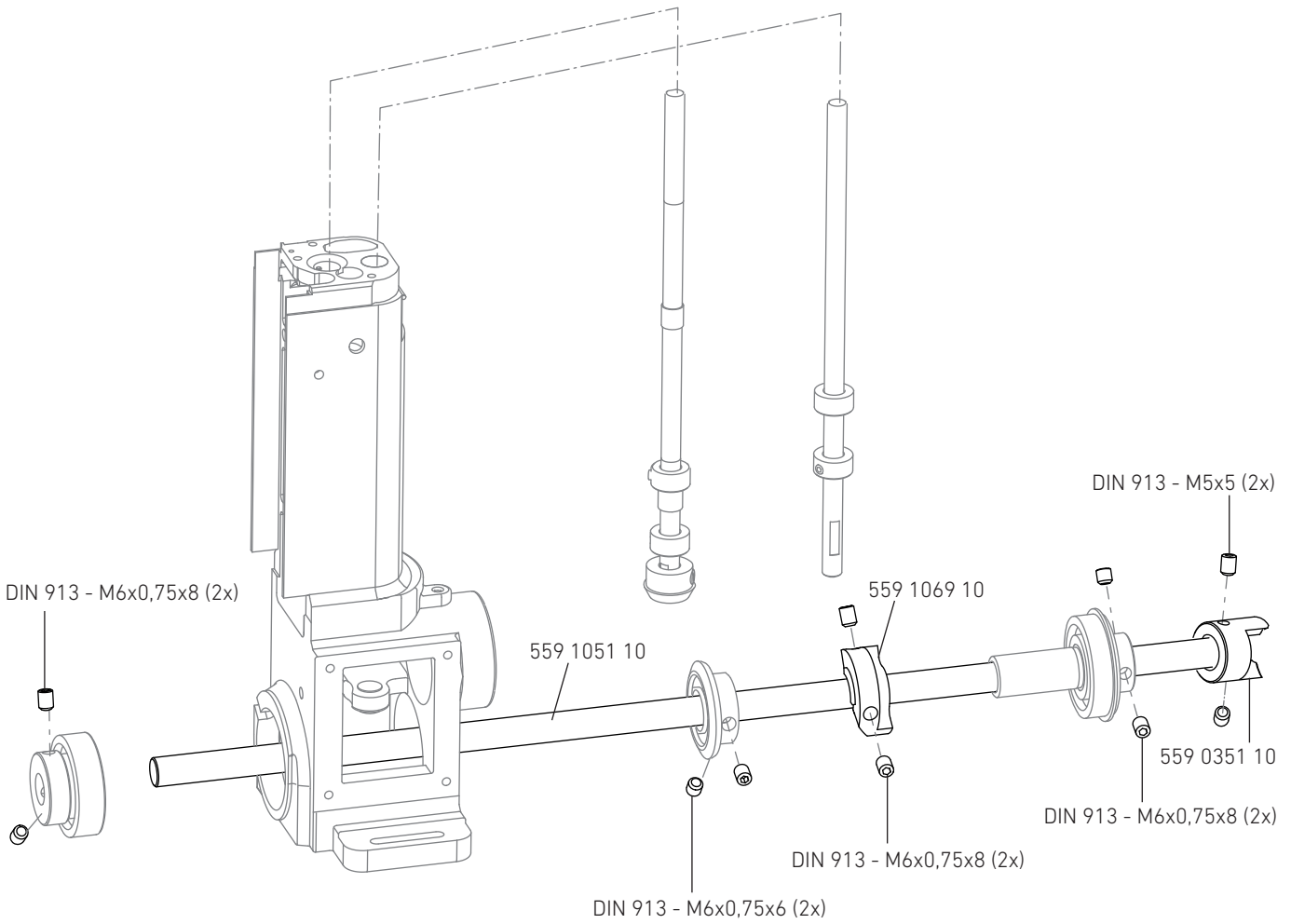
03. BASE MODULE

04.05. THREAD CUTTER



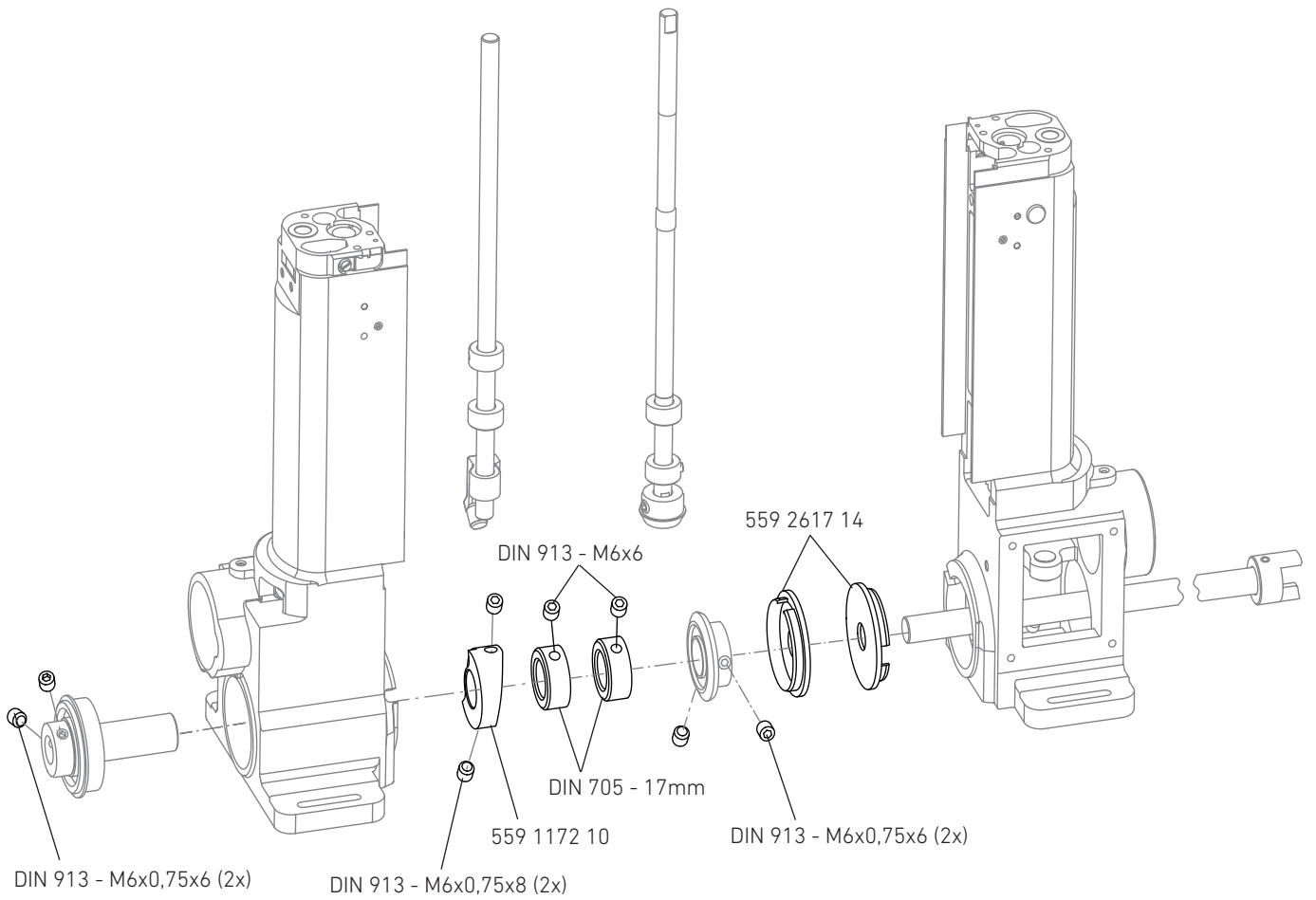
03. BASE MODULE

04.06. HOOK DRIVE SHAFT - 1 NEEDLE / DEEPSTITCH



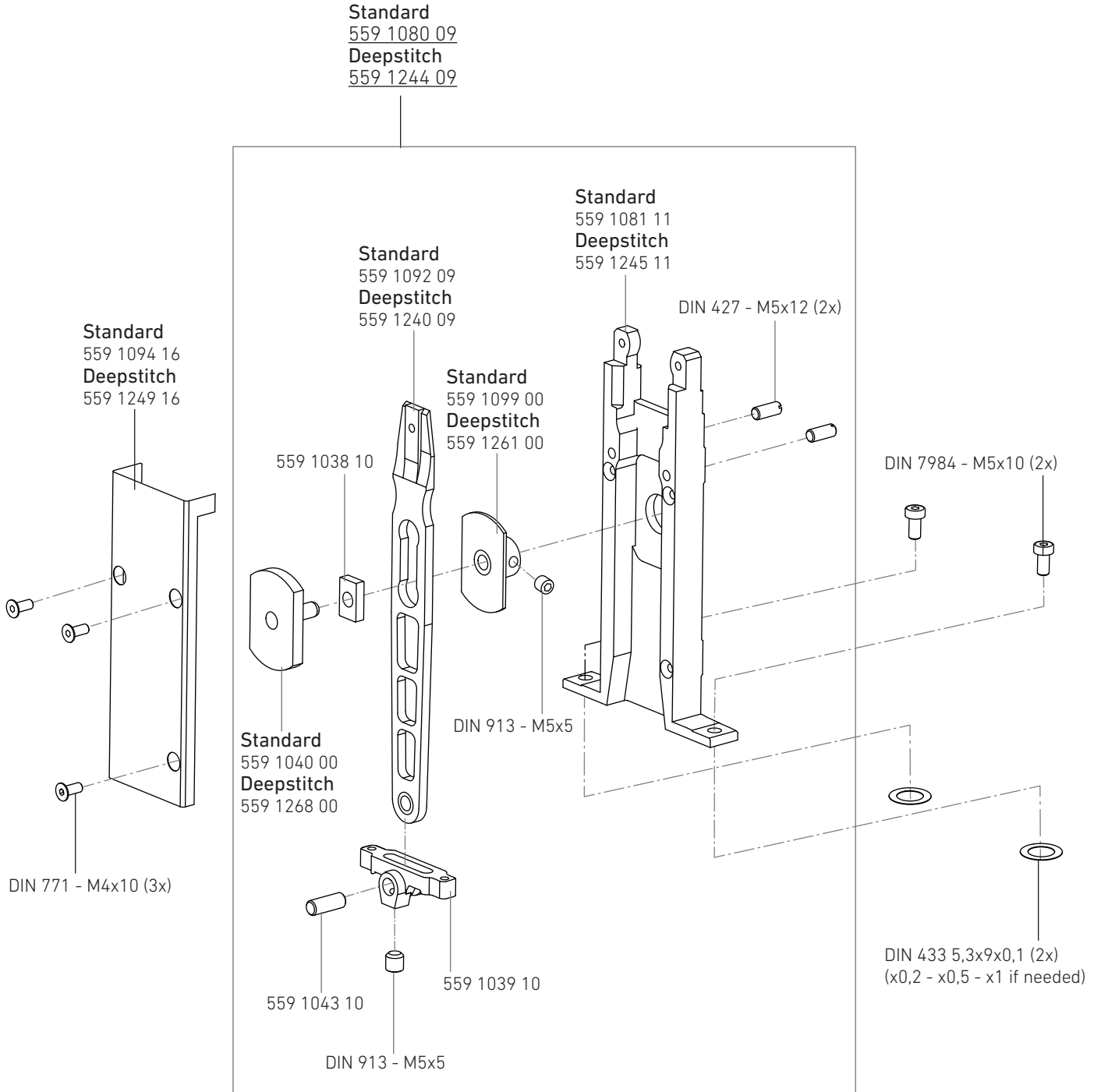
03. BASE MODULE

04.07. HOOK DRIVE SHAFT / 2 NEEDLE



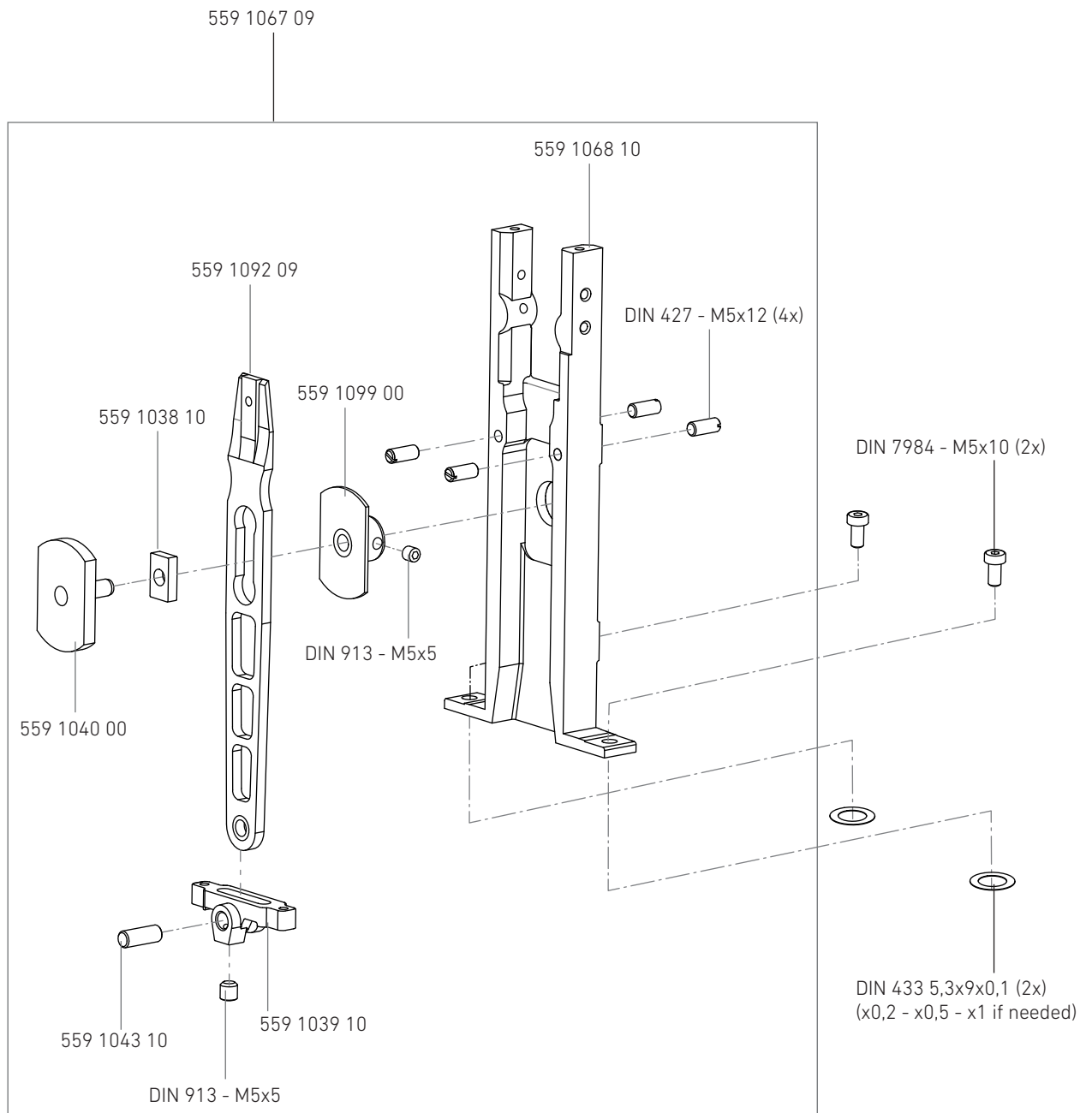
03. BASE MODULE

05. CENTER POST & COVER - 1 NEEDLE / DEEPSTITCH



03. BASE MODULE

05. CENTER POST / 2 NEEDLE



03. BASE MODULE

44 MAIN DRIVE MODULE – OVERVIEW

45 **01.** MAIN MOTOR

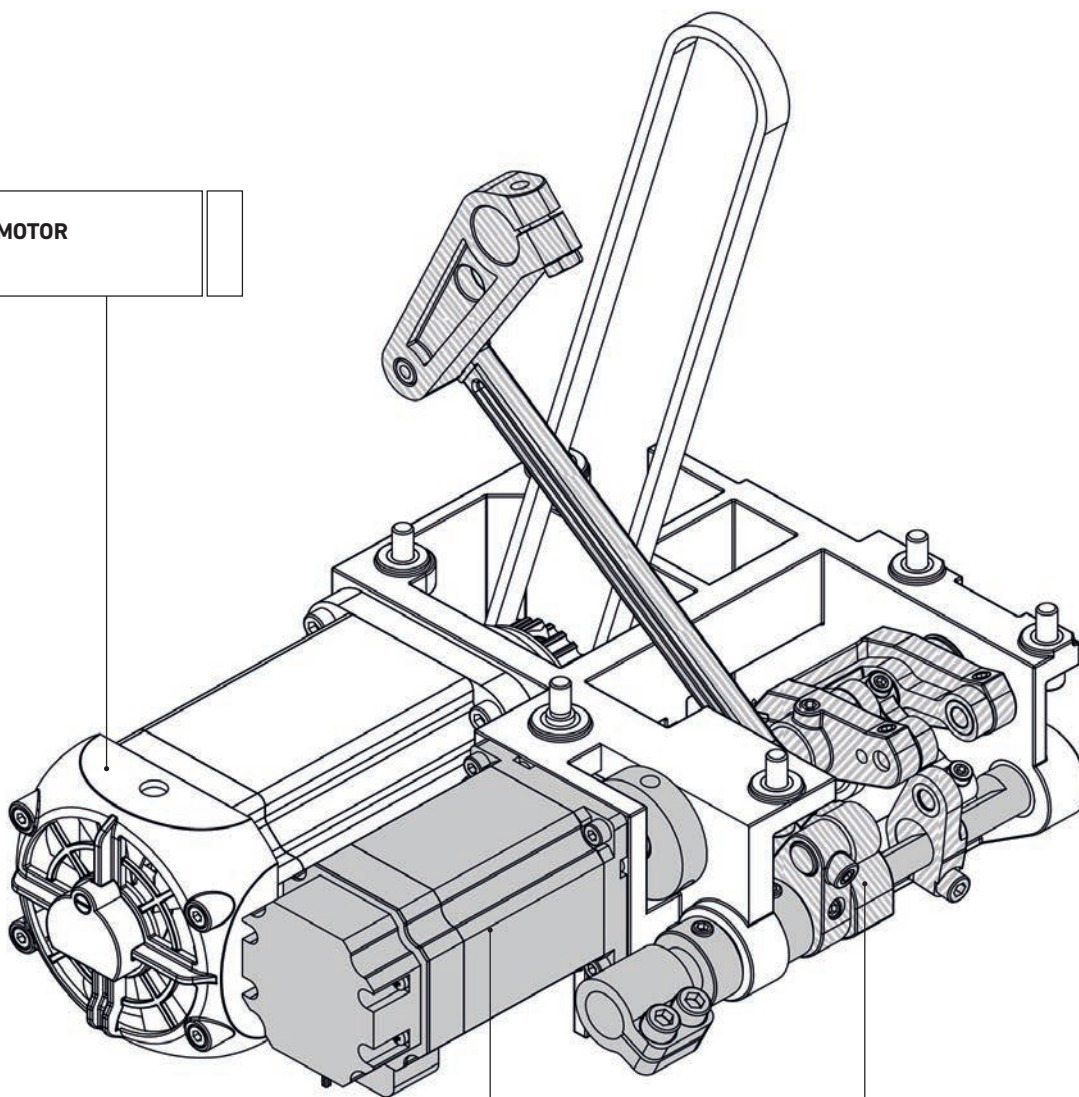
46 **02.** STITCH LENGTH REGULATOR

47 **03.** CRANK ASSY

04. MAIN DRIVE MODULE

MAIN DRIVE MODULE – OVERVIEW

01.01. MAIN MOTOR
P. 45

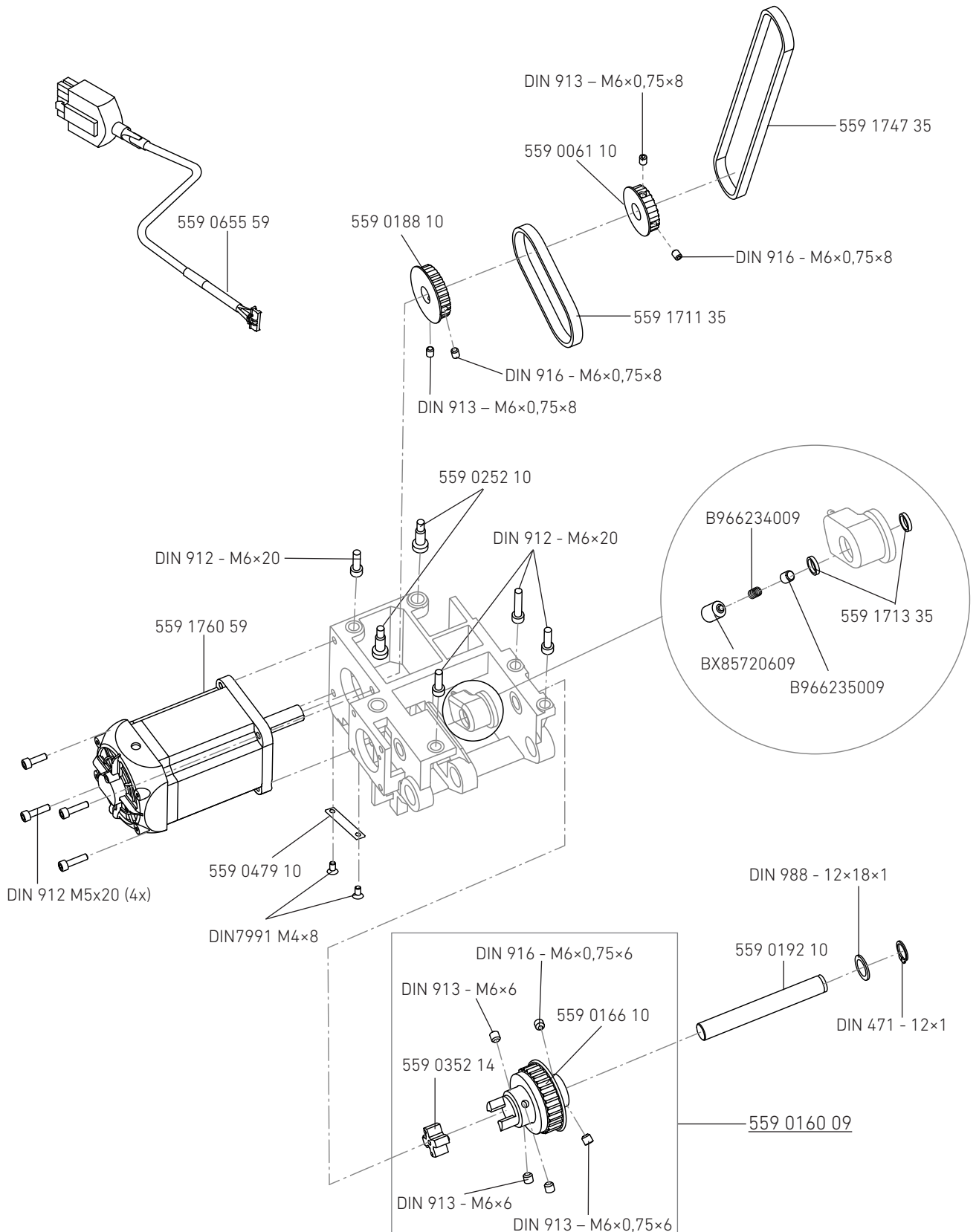


01.03. CRANK ASSY
P. 47

**01.02. STITCHLENGTH
REGULATOR**
P. 46

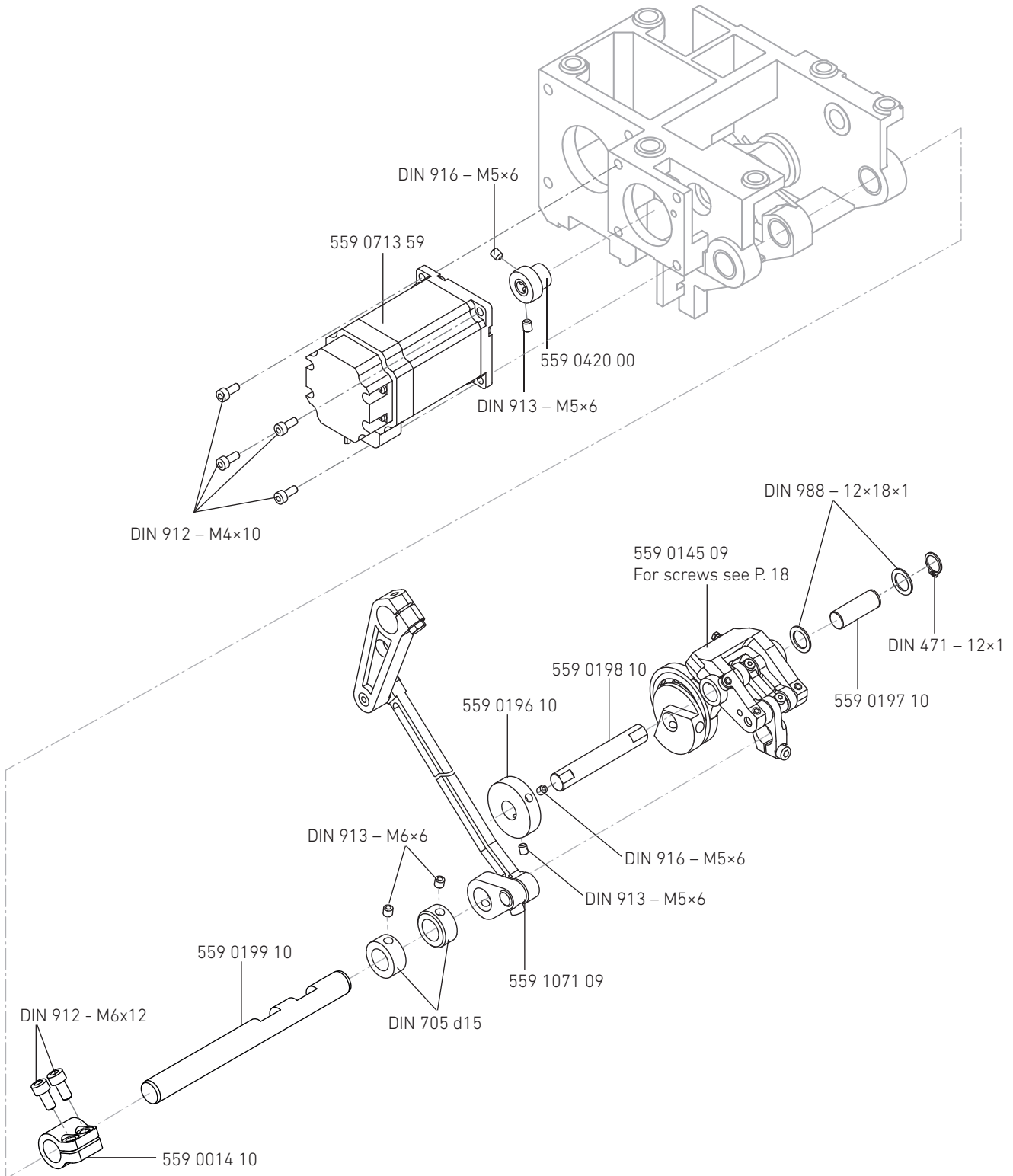
04. MAIN DRIVE MODULE

01. MAIN MOTOR



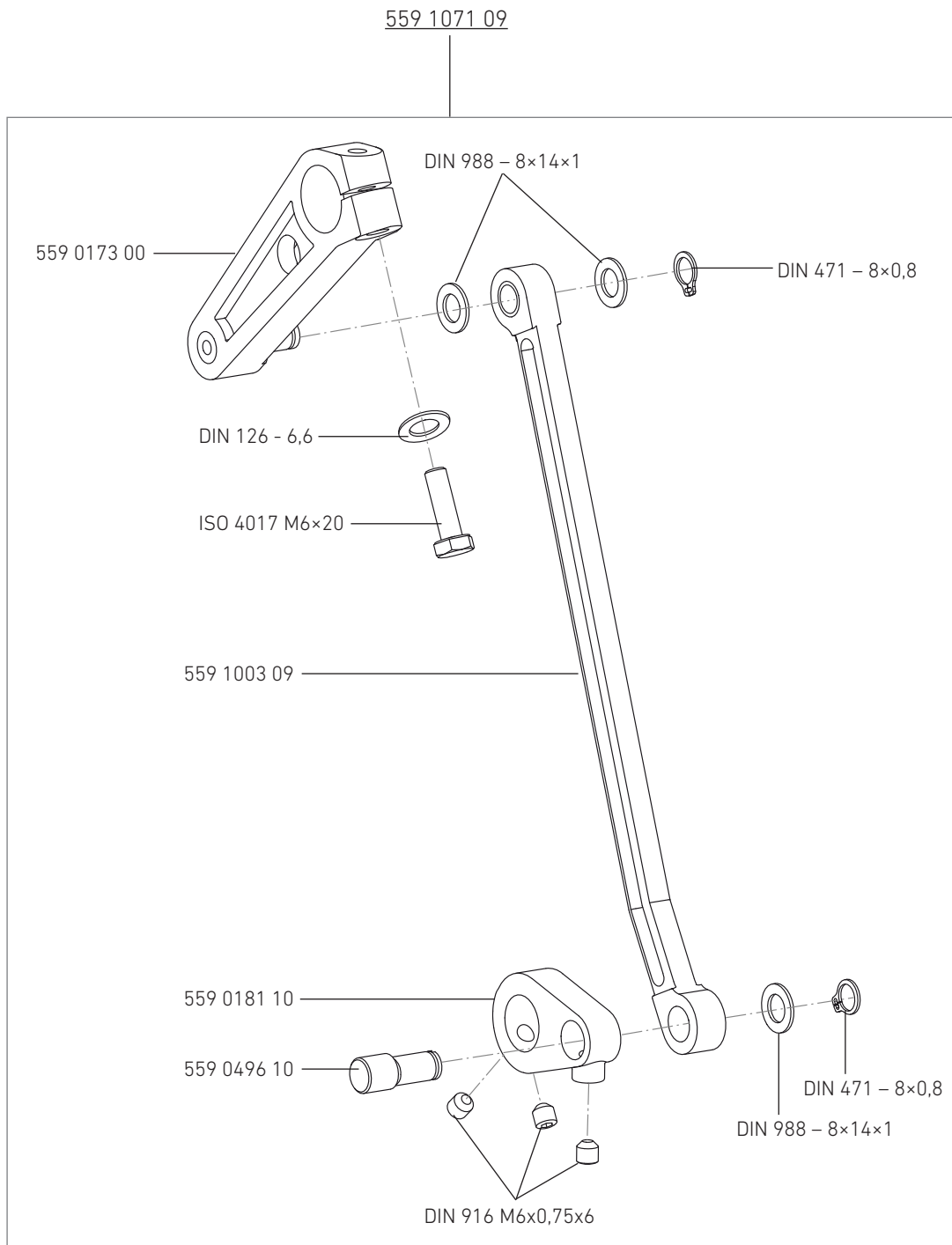
04. MAIN DRIVE MODULE

02. STITCH LENGTH REGULATOR



04. MAIN DRIVE MODULE

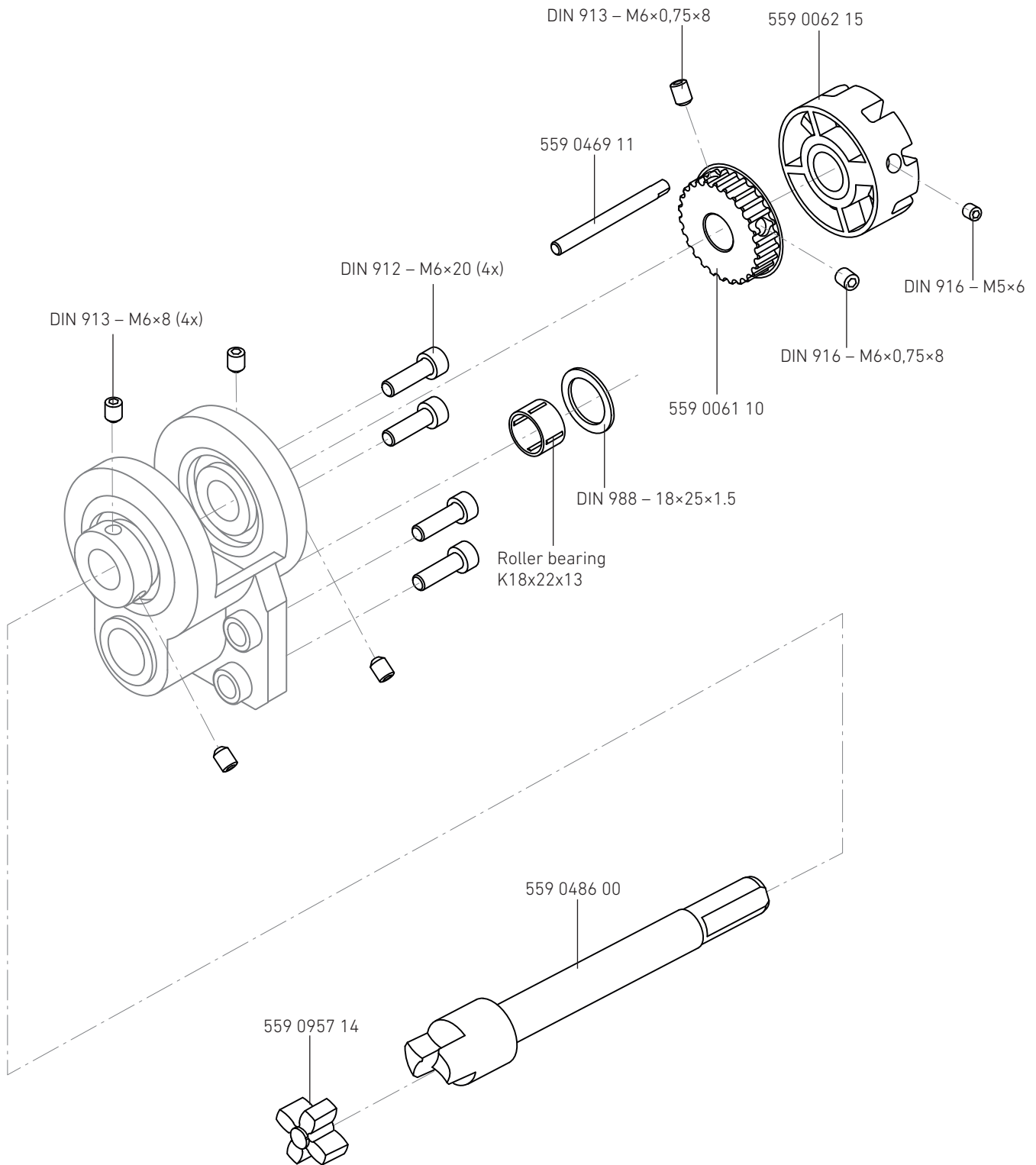
03. CRANK ASSY



04. MAIN DRIVE MODULE

50 **01. HANDWHEEL MODULE**

05. HANDWHEEL MODULE



06. LUBRICATION

52	01. HEAD	<hr/>
53	02. HOOK	<hr/>
54	03. OIL TANK	<hr/>

06. LUBRICATION

01. HEAD



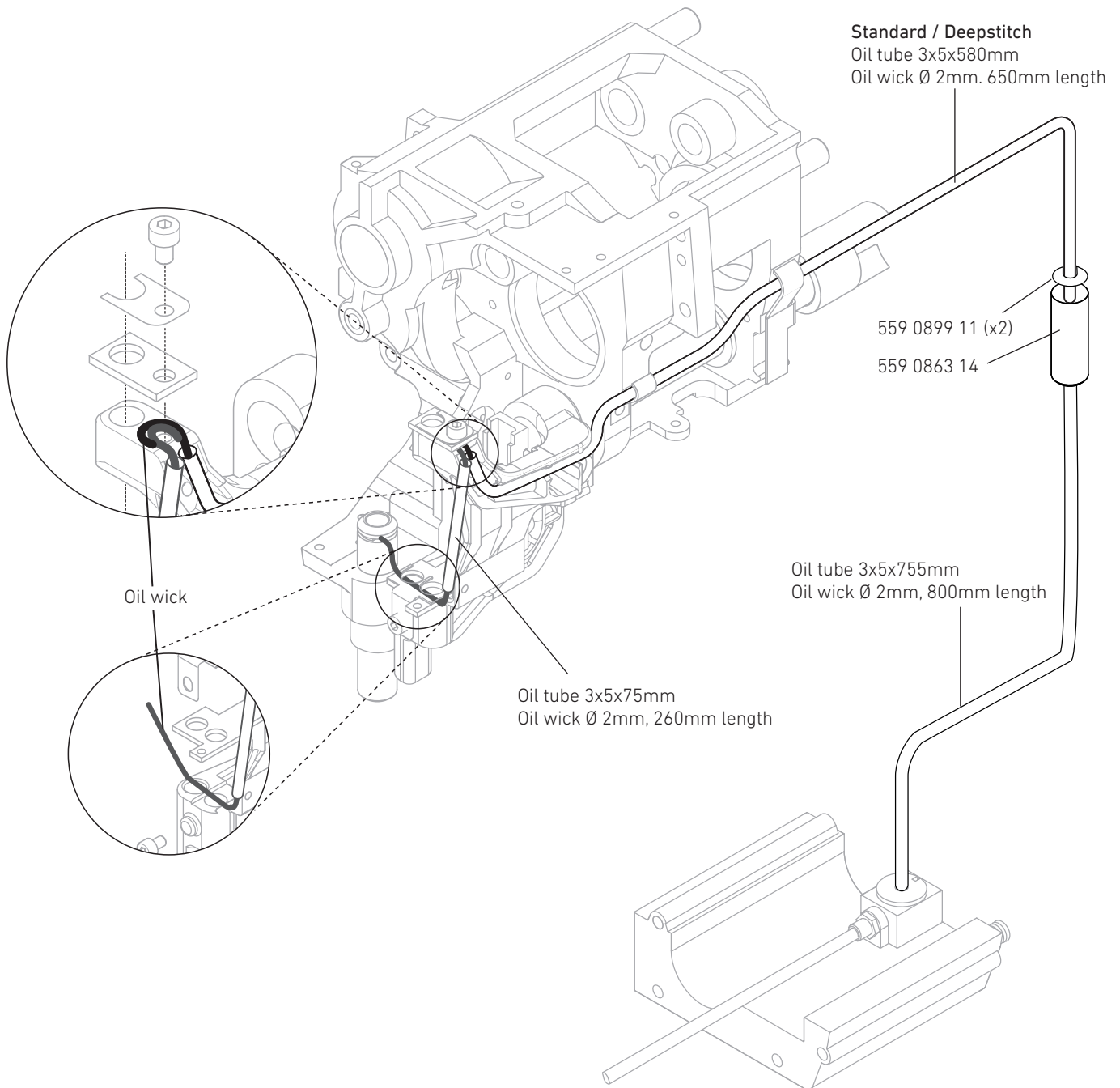
NOTE!

Oil tubes and oil wick can only be **ordered by the meter!**

Oil tube 3x5 : 559 3107 34

Oil tube 6x8 : 559 3108 34

Oil wick : Ø 2mm 559 3109 34





NOTE!

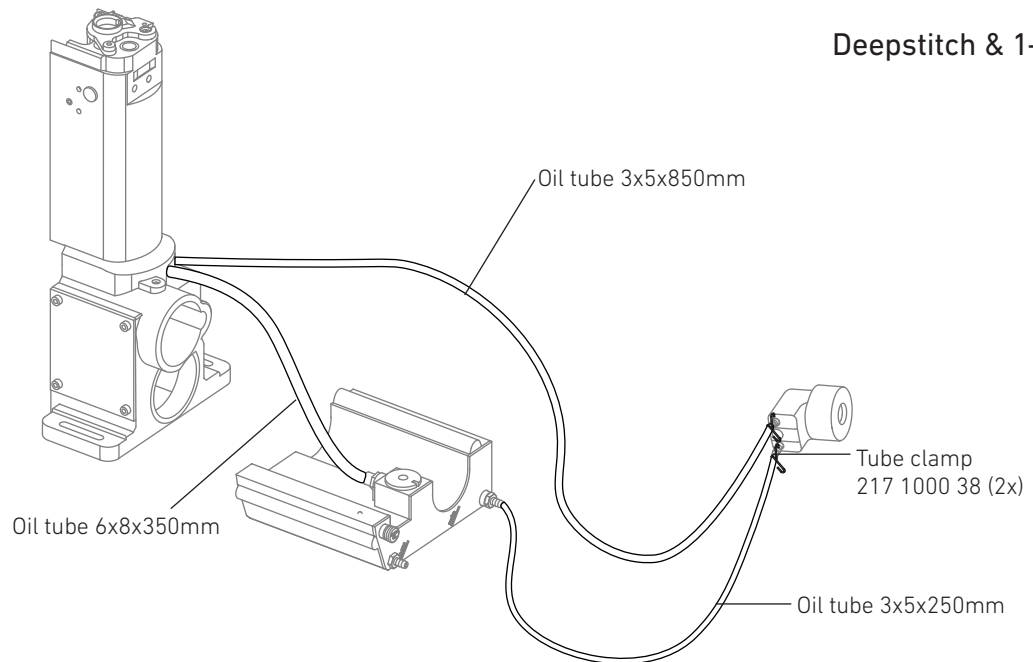
Oil tubes and oil wick can only be **ordered by the meter!**

Oil tube 3x5 : 559 3107 34

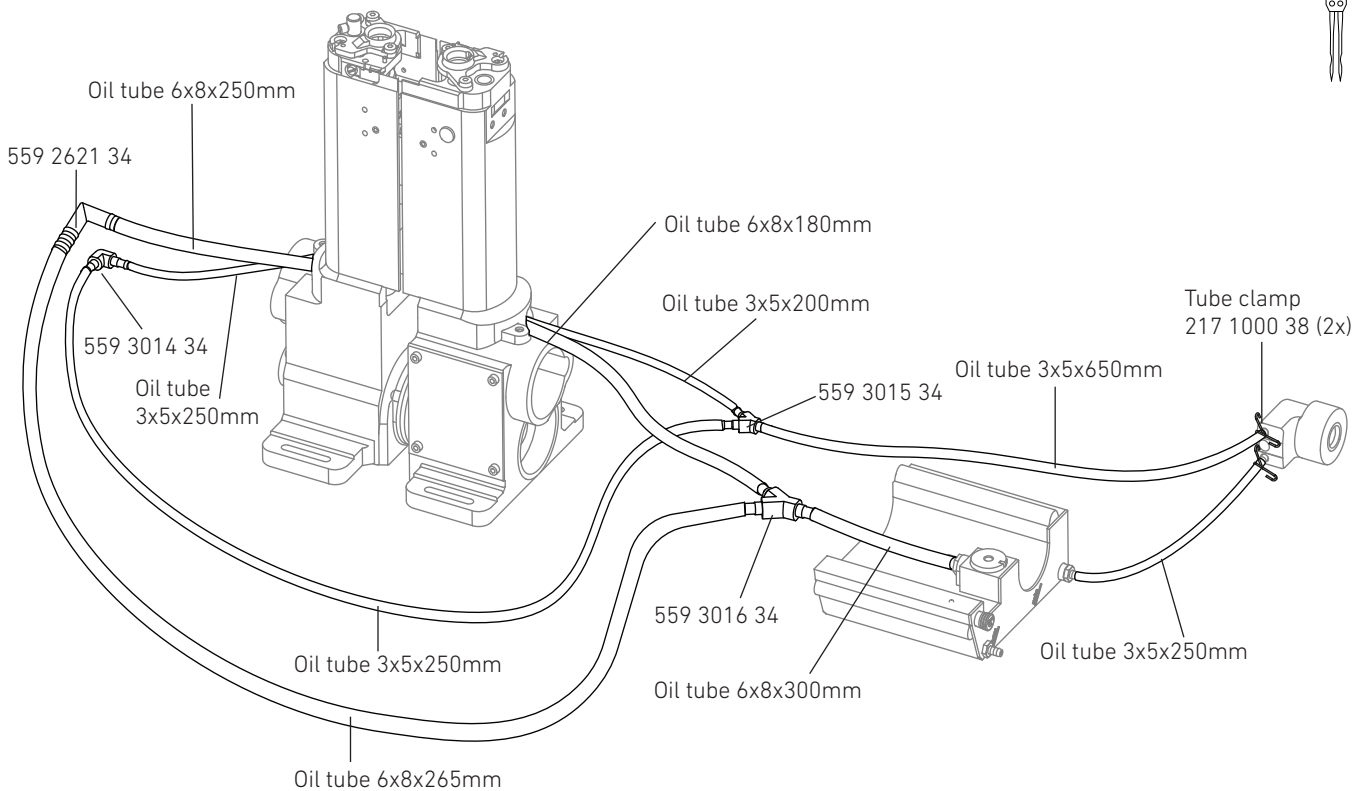
Oil tube 6x8 : 559 3108 34

Oil wick : Ø 2mm 559 3109 34

Deepstitch & 1-Needle

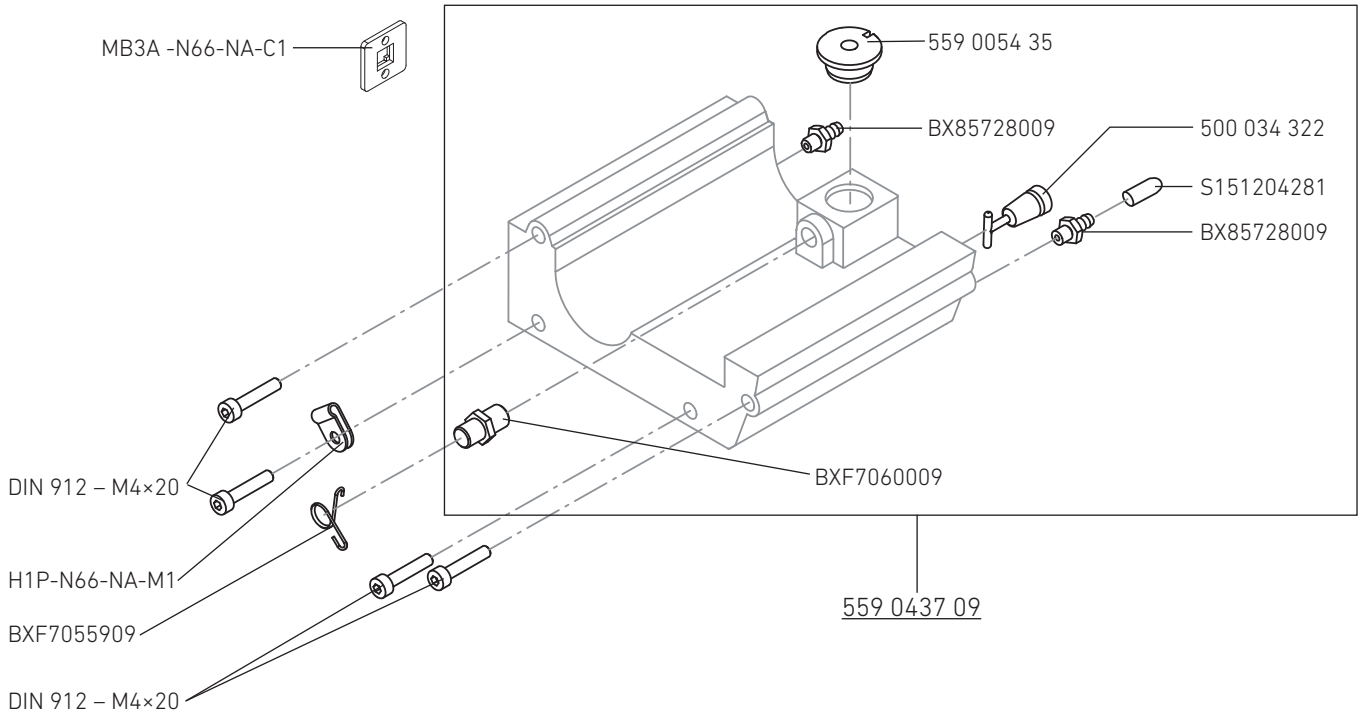


2-Needle



06. LUBRICATION

03. OIL TANK

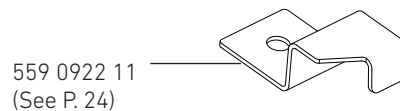
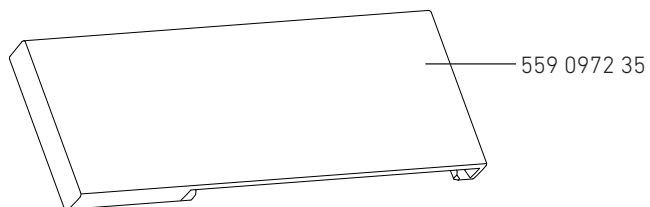


07. ELECTRONIC PARTS SEWING

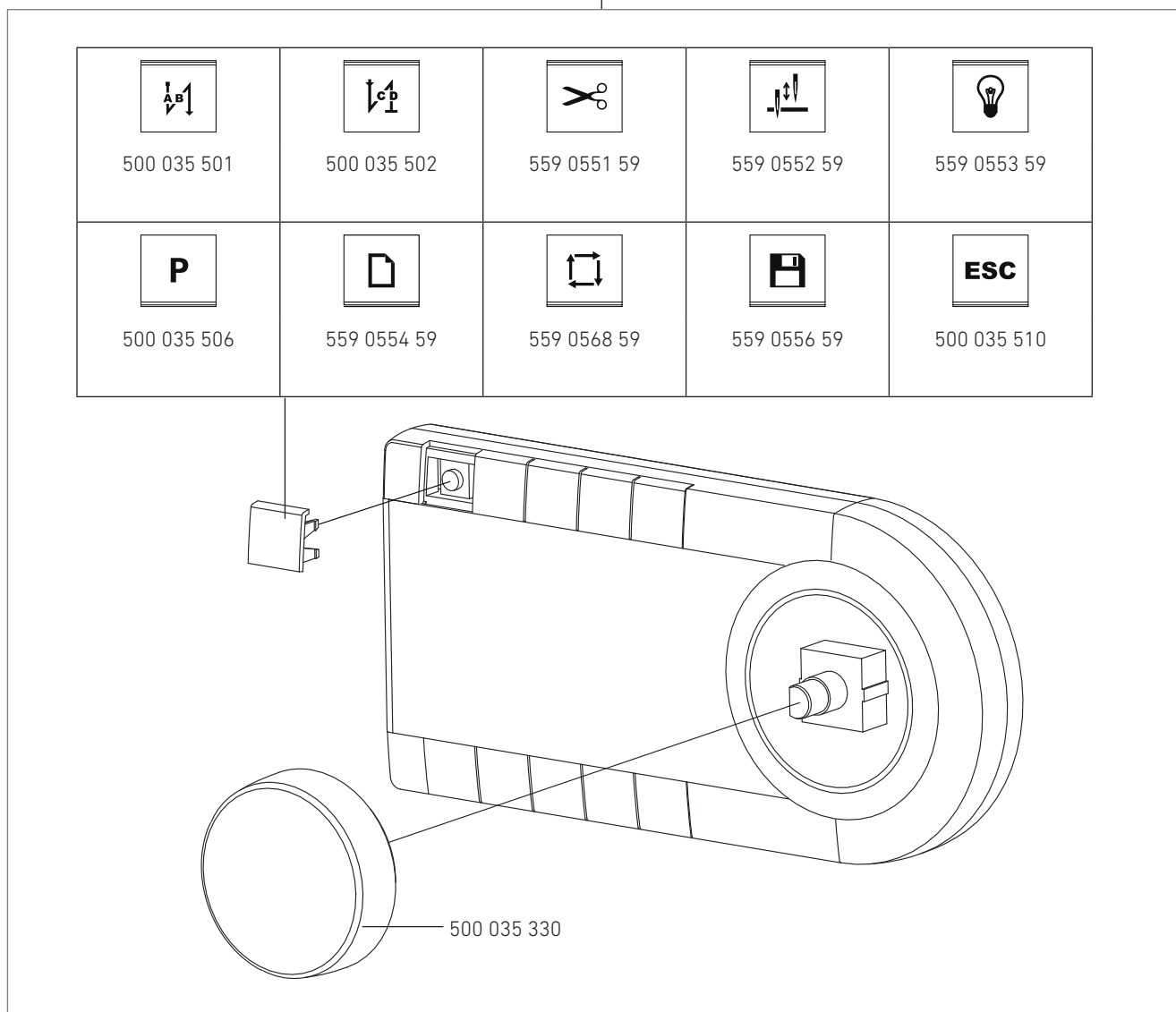
56	01. PANEL
57	02. CONTROL BOX & SETPOINT DEVICE
58	03. BACK COVER CONTROL BOX
59	04. CABLING HEAD PCB
60	05. CABLING

07. ELECTRONIC PARTS SEWING

01. PANEL



559 0641 59



07. ELECTRONIC PARTS SEWING

02. CONTROL BOX & SETPOINT DEVICE

(P. 58, Pos. )

559 0612 59

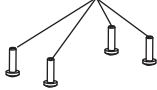
DIN 912 – M6×16

Washer DIN 125 – A6,4

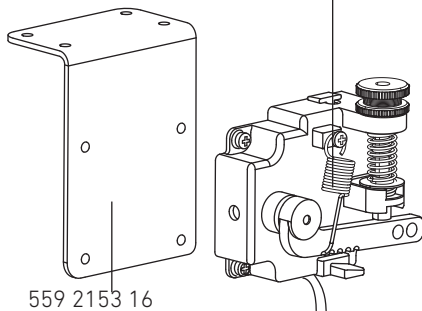
Washer ART 55 M6

559 0629 59

DIN 7049 – ST 3.5×13-C-H-N



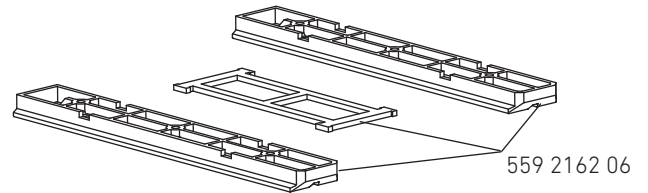
559 9008 10 Standard
559 9007 10 Soft spring



559 2153 16

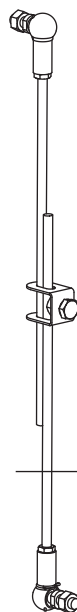
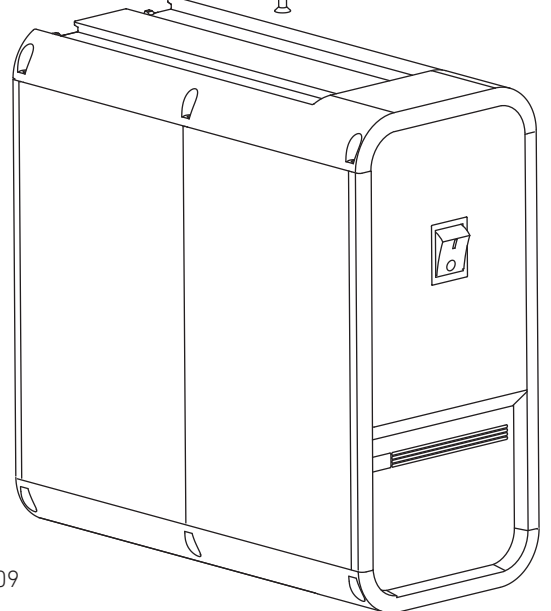
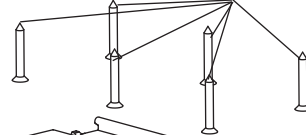
PEDAL CONNECTION
(P. 58)

559 2155 09

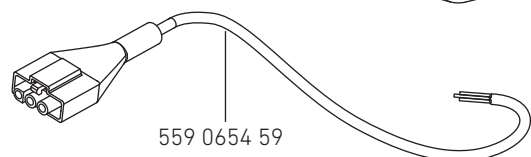


559 2162 06

DIN 7983 – ST4,2×32



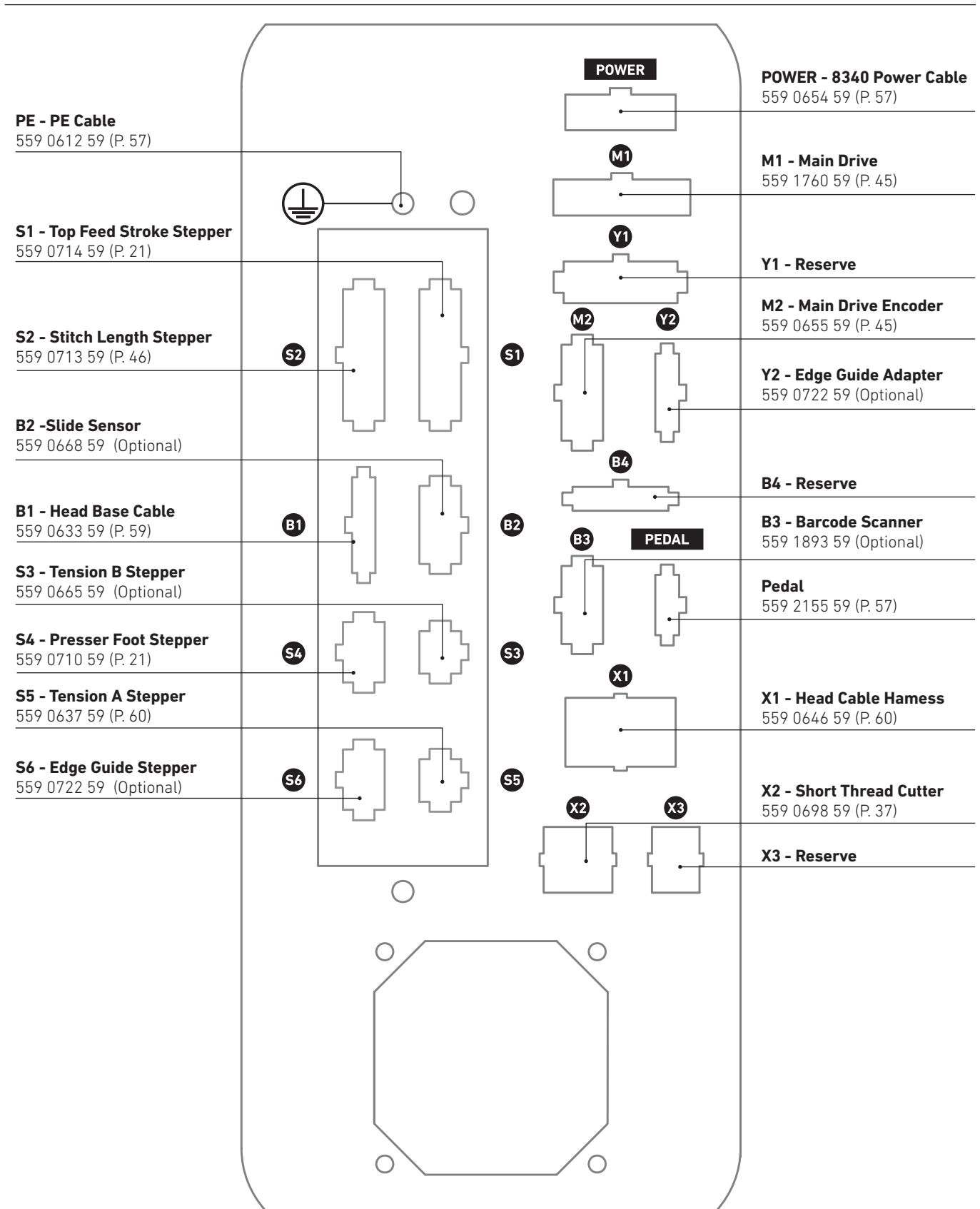
559 2161 09



559 0654 59

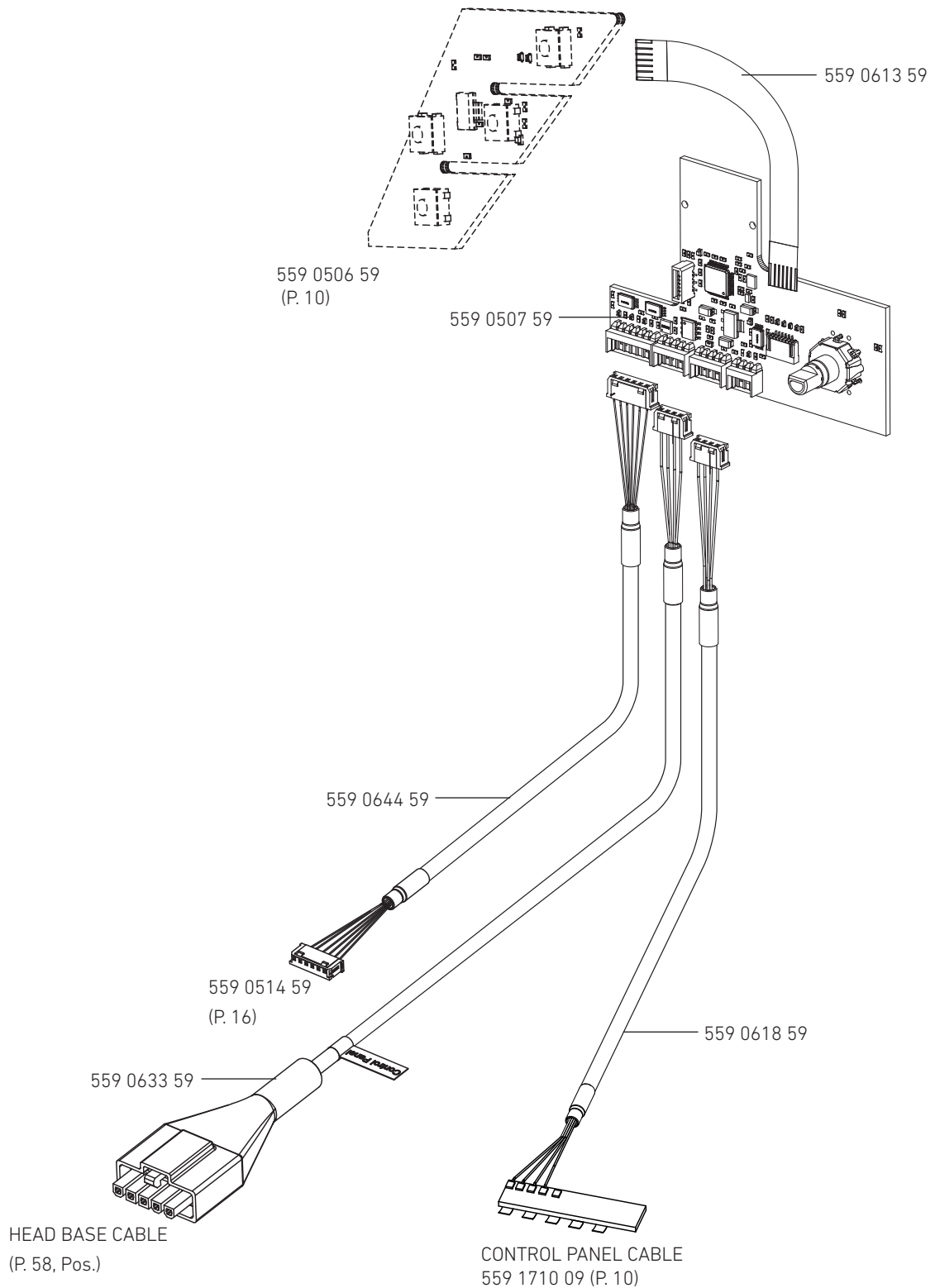
07. ELECTRONIC PARTS SEWING

03. BACK COVER CONTROL BOX



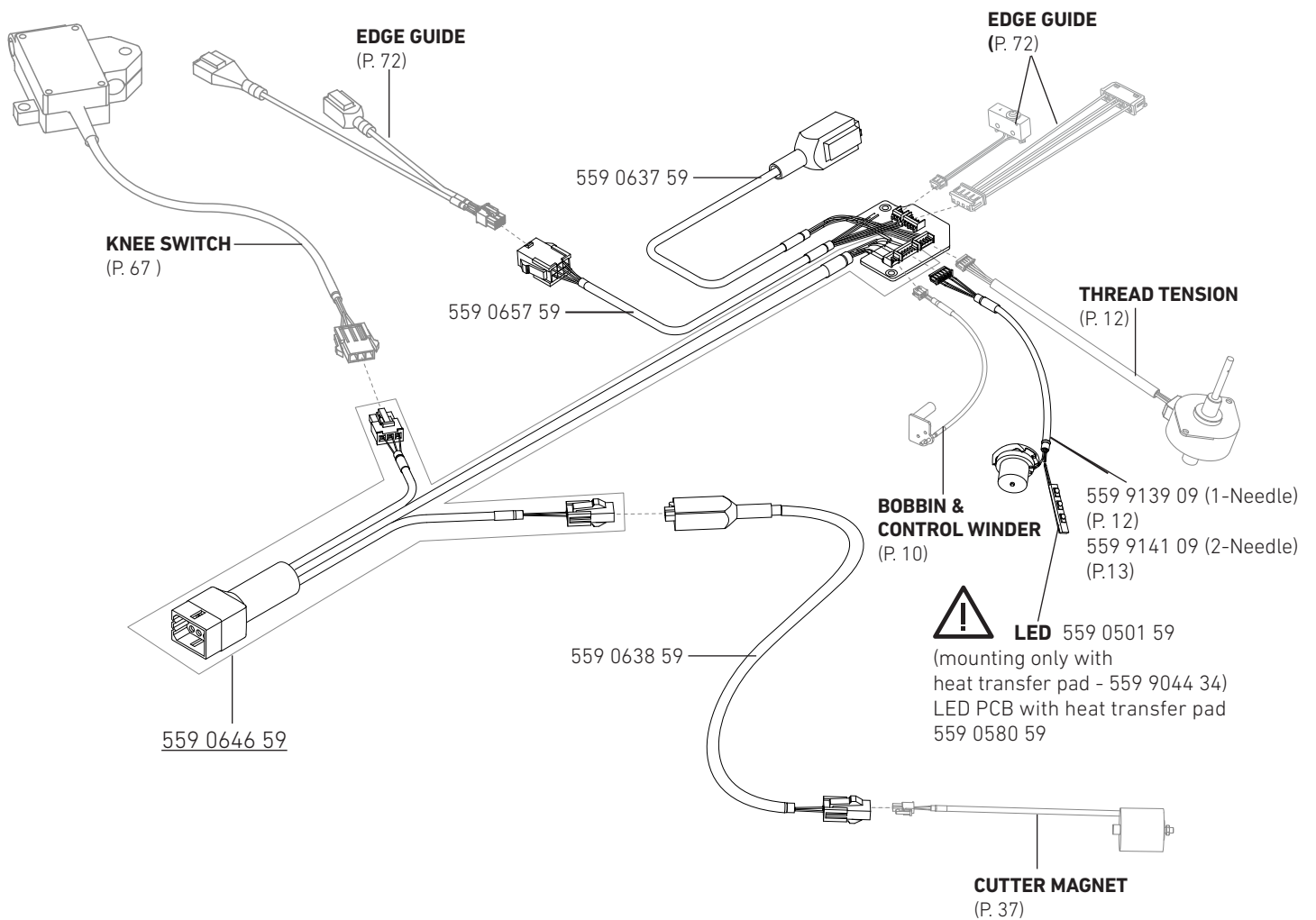
07. ELECTRONIC PARTS SEWING

04. CABLING HEAD PCB



07. ELECTRONIC PARTS SEWING

05. CABLING



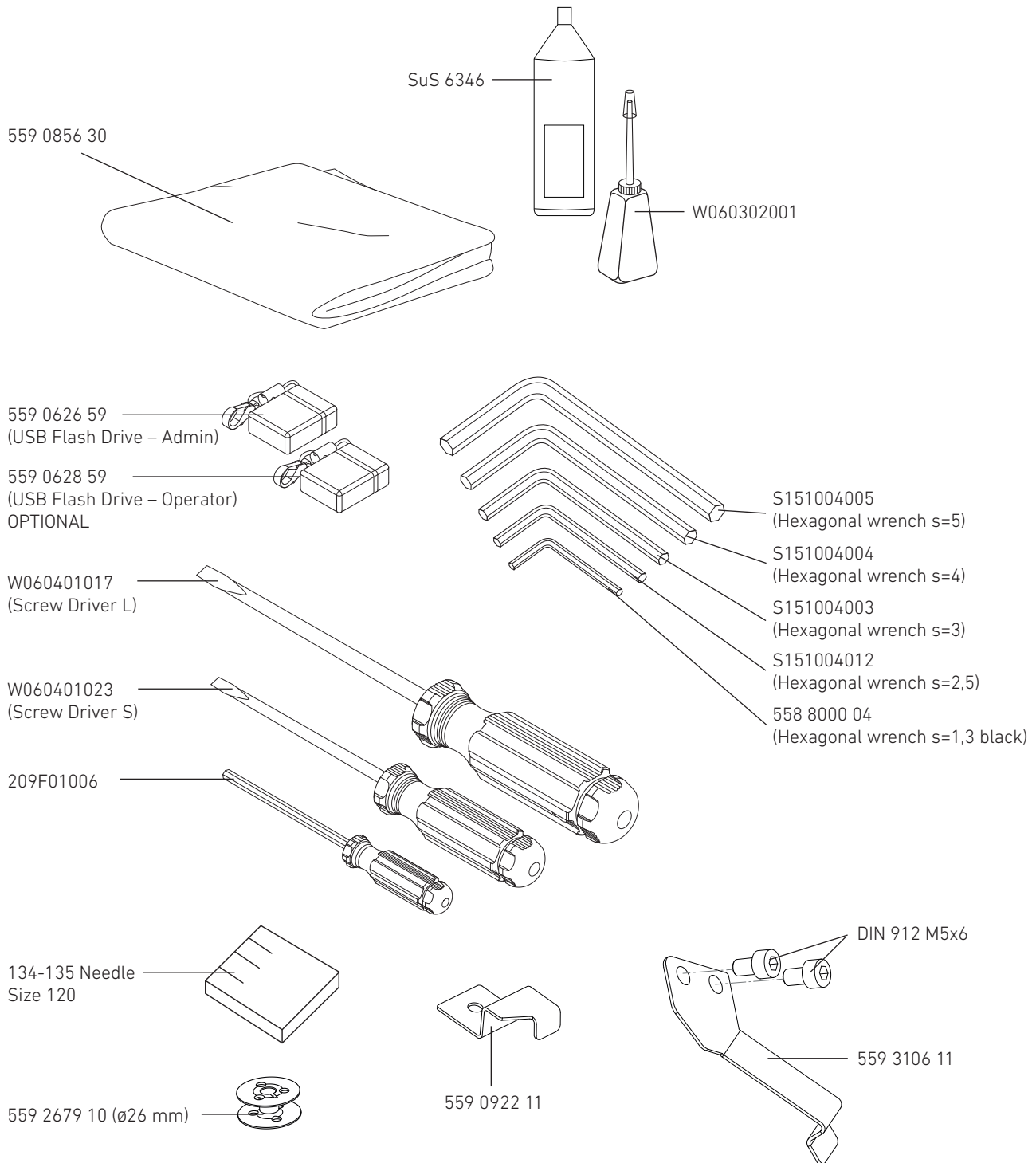
08. SEWING ACCESSORIES

STANDARD ACCESSORIES - INCLUDED IN DELIVERY

62	01. ACCESSORIES	<hr/>
63	02. HEAD - FRAME – ACCESSORIES	<hr/>
64	03. THREAD STAND	<hr/>
66	04. ADDITIONAL EQUIPMENT	<hr/>
70	04.04. SAFETY SWITCH KIT - 559 1155 09	<hr/>
71	04.05. EYE GUARD - 558 740 000	<hr/>
72	04.06. ELECTRIC EDGE GUIDE - 558 710 000	<hr/>
73	04.07. HEIGHT ADJUSTABLE ELECTRIC EDGE GUIDE - 558 711 000	<hr/>
74	04.08. COVER CONTROL KIT - 559 1151 09 / 559 1152 09	<hr/>
75	05. SERVICE KIT / ADJUSTMENT GAUGE	<hr/>
76	06. STICKERS	<hr/>
77	07. NEEDLE GAUGE PARTS / 1-NEEDLE	<hr/>
78	08. NEEDLE GAUGE PARTS / DEEPSTITCH	<hr/>
79	09. NEEDLE GAUGE PARTS / 2-NEEDLE	<hr/>
81	09.02. NEEDLE GAUGE PARTS / 2-NEEDLE / MIDDLE SEAM GUIDE AND 2-PART LEVELING FOOT	<hr/>

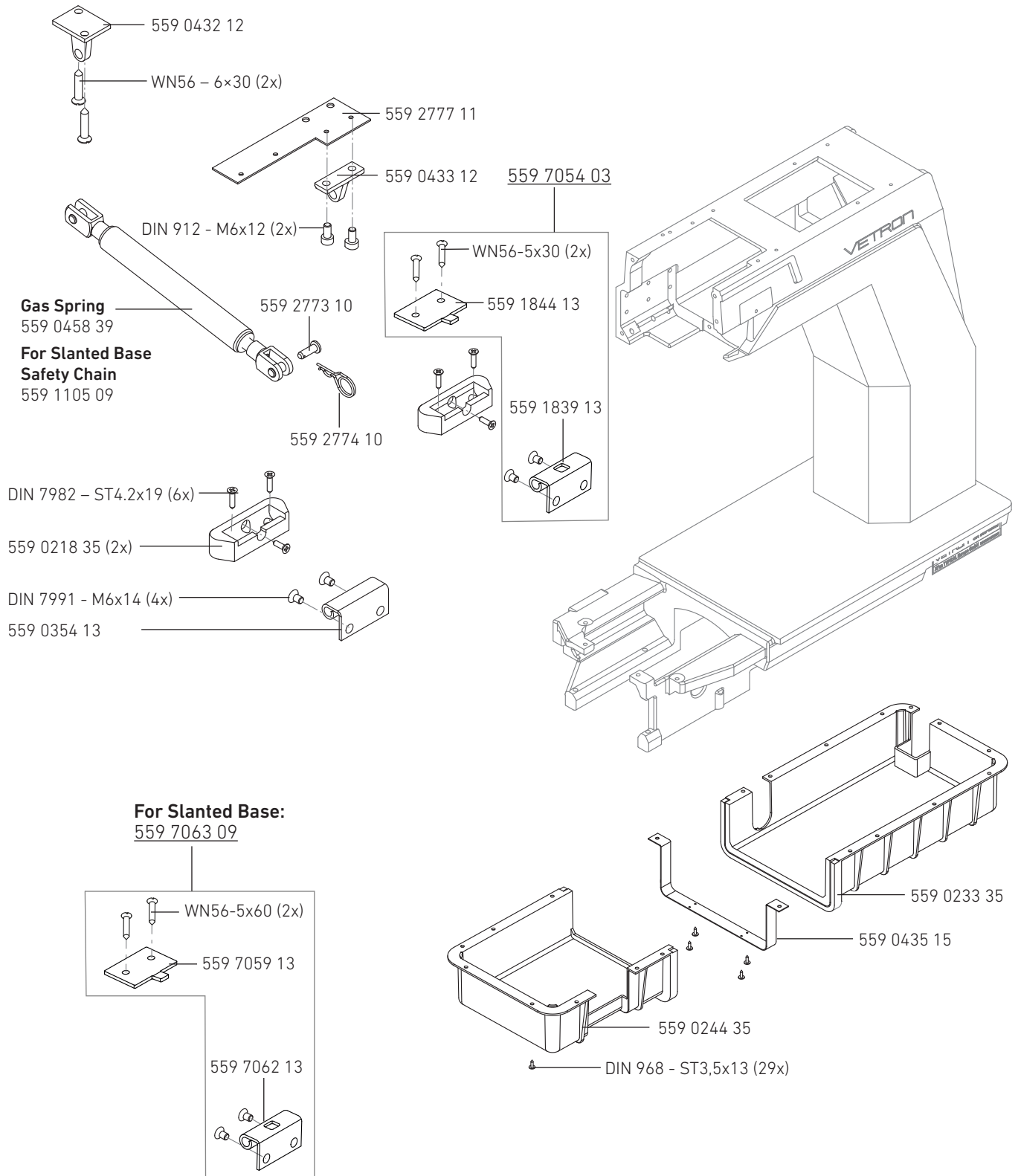
08. SEWING ACCESSORIES

01. ACCESSORIES



08. SEWING ACCESSORIES

02. HEAD - FRAME - ACCESSORIES



08. SEWING ACCESSORIES

03. THREAD STAND

-1-

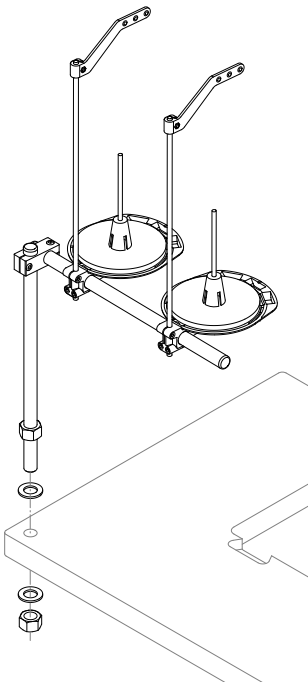
NOTE!

To order individual parts, see next page.



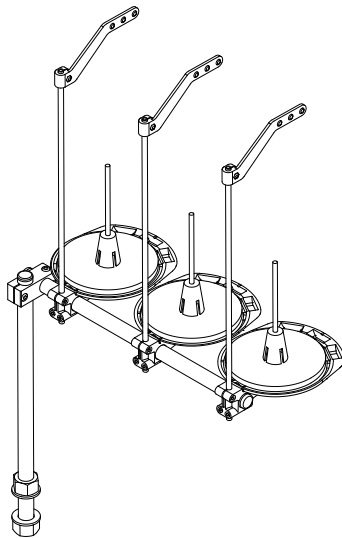
559 3658 09

Thread Stand / 1-Needle
Deepstitch



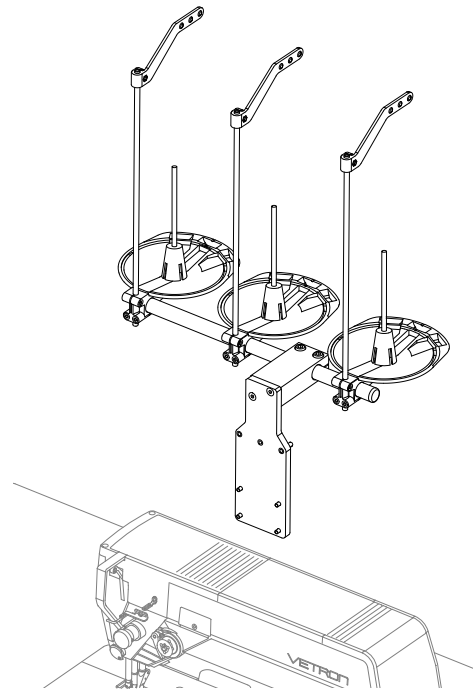
559 3659 09

Thread Stand / 2-Needle



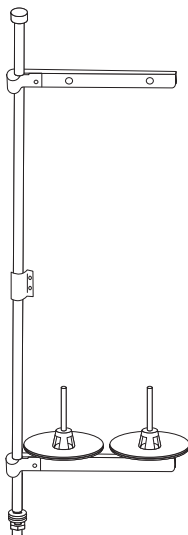
559 3642 09

Thread Stand / Mounting-Kit-Vetron



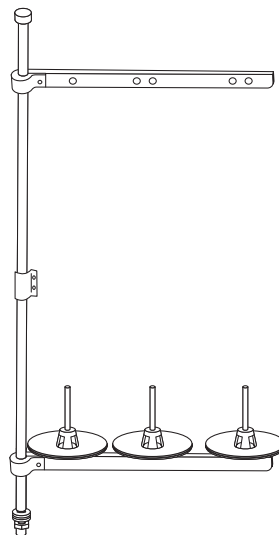
006F00030

Thread Stand / 2-Spools



1F-014

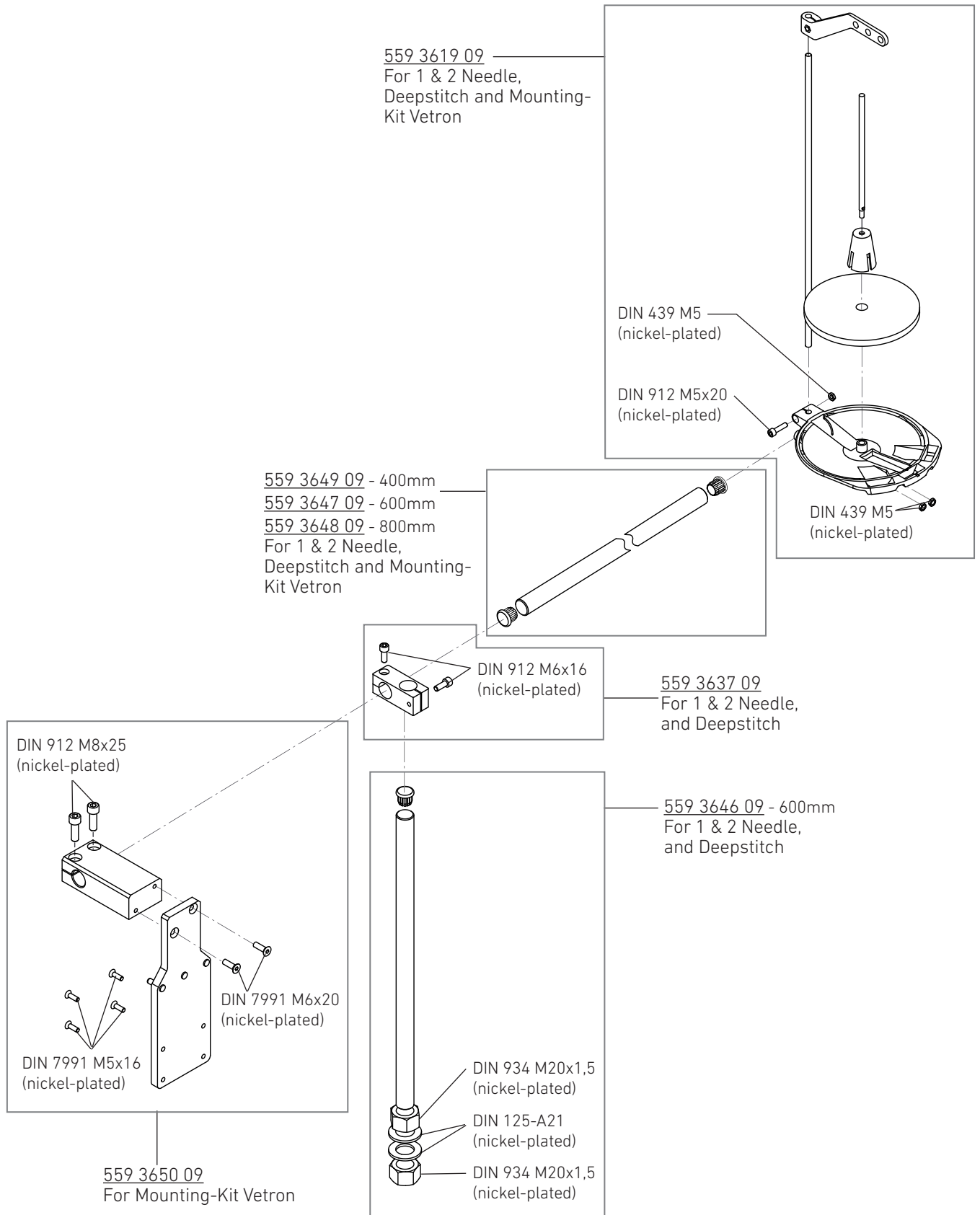
Thread Stand / 3-Spools



08. SEWING ACCESSORIES

03. THREAD STAND

-2-2

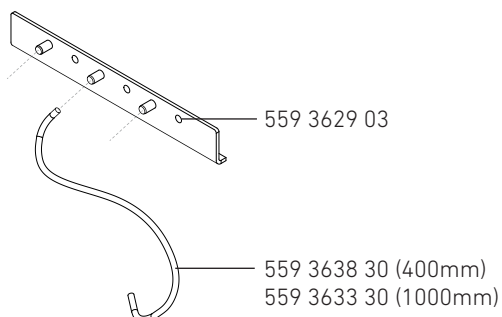


08. SEWING ACCESSORIES

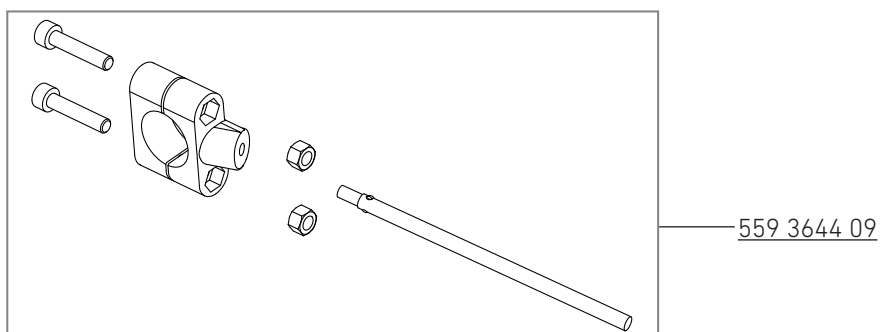
04. ADDITIONAL EQUIPMENT

DESCRIPTION

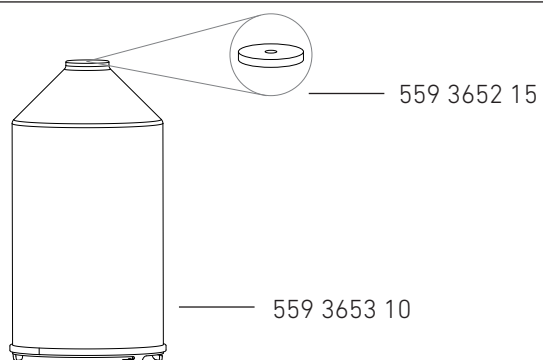
THREAD GUIDE WITH TUBE



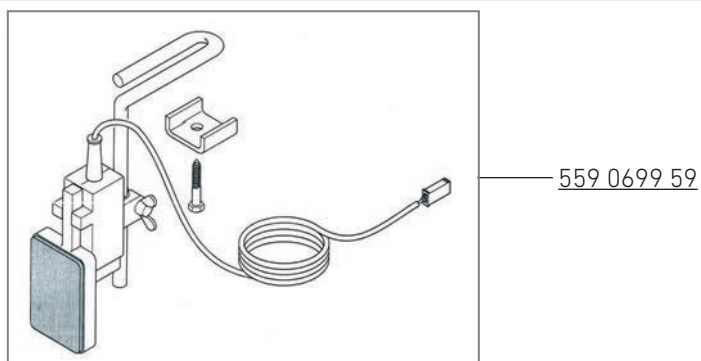
SPINDLE SHAFT CLAMP (THREAD STAND)



COVER FOR THREAD STAND COPS



KNEE SWITCH WITH CABLE



08. SEWING ACCESSORIES

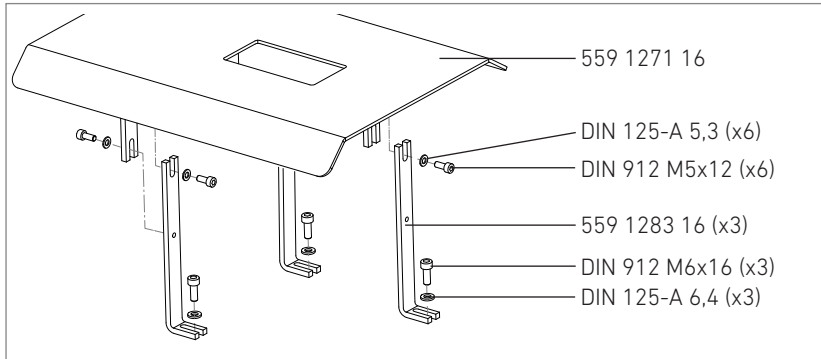
04.01. ADDITIONAL EQUIPMENT

NOTE!

To mount the table assy, you need the **BED PLATE COVER** (559 1156 16).

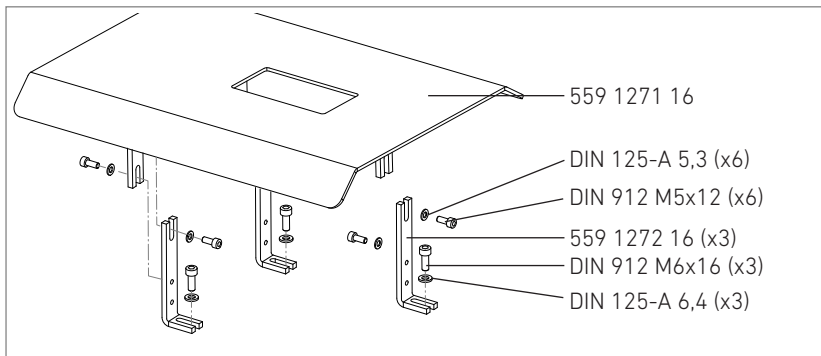
DESCRIPTION

TABLE ASSY. FOR POST BED MACHINE



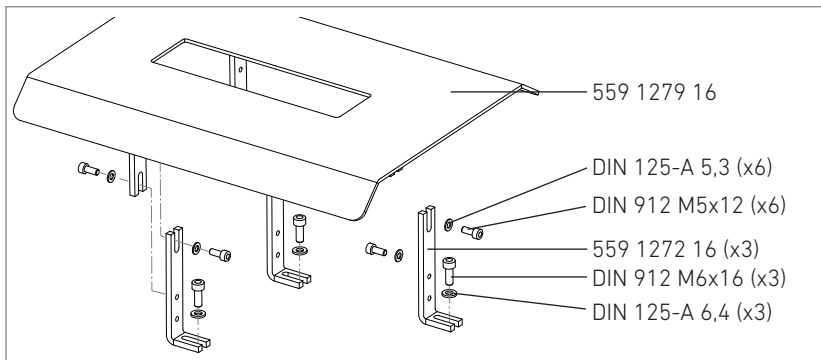
559 1211 09

TABLE ASSY. FOR POST BED MACHINE - DEEPSTITCH, 1-NEEDLE



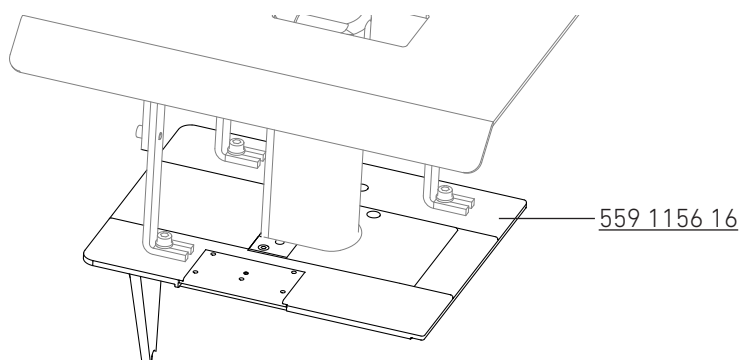
559 1265 09

TABLE ASSY. FOR POST BED MACHINE - DEEPSTITCH, 2-NEEDLE



559 1284 09

BED PLATE COVER

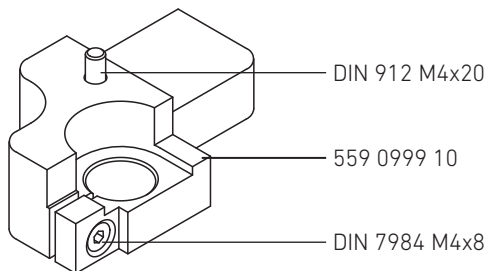


08. SEWING ACCESSORIES

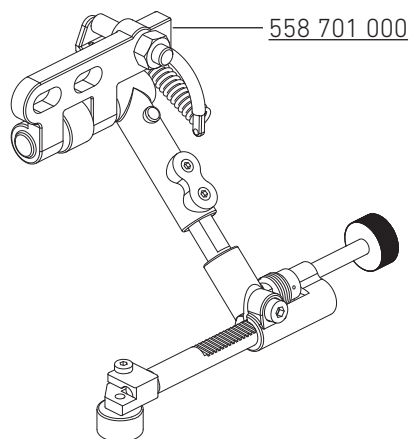
04.02. ADDITIONAL EQUIPMENT

DESCRIPTION

ADAPTER FOR ADDITIONAL EQUIPMENT



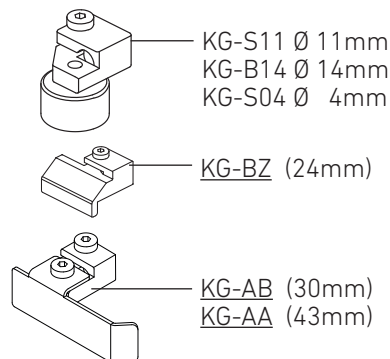
ROLLER & STRAIGHT GUIDE WITH FINE ADJUSTMENT



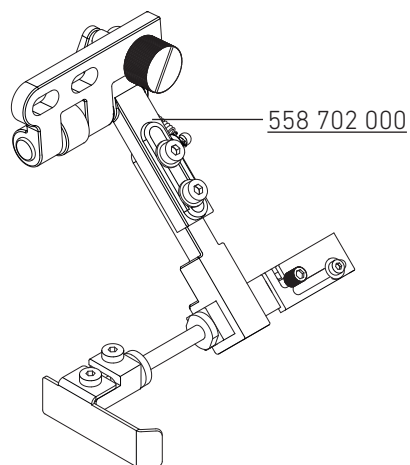
Combined hinged roller & straight guide,
can be raised.
Distance adjustment:

1–30 mm

Optional:



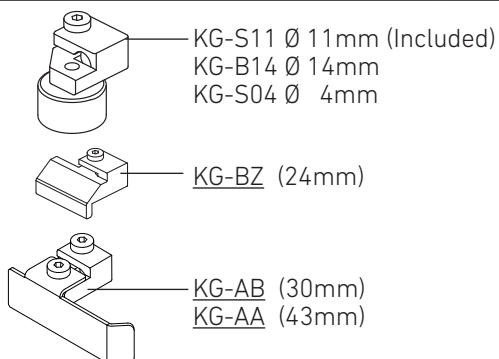
STRAIGHT GUIDE WITH QUICK ADJUSTMENT OF TWO DISTANCES



Straight edge guide right, swing up.
Two stitch width pre-adjusted, with quick change.
Distance adjustment:

1–30 mm

Optional:



08. SEWING ACCESSORIES

04.03. ADDITIONAL EQUIPMENT

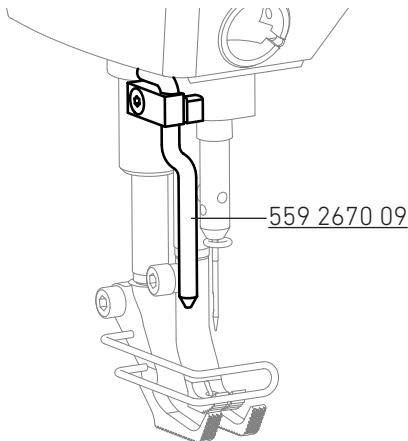
DESCRIPTION

BARCODE SCANNER



559 1893 09

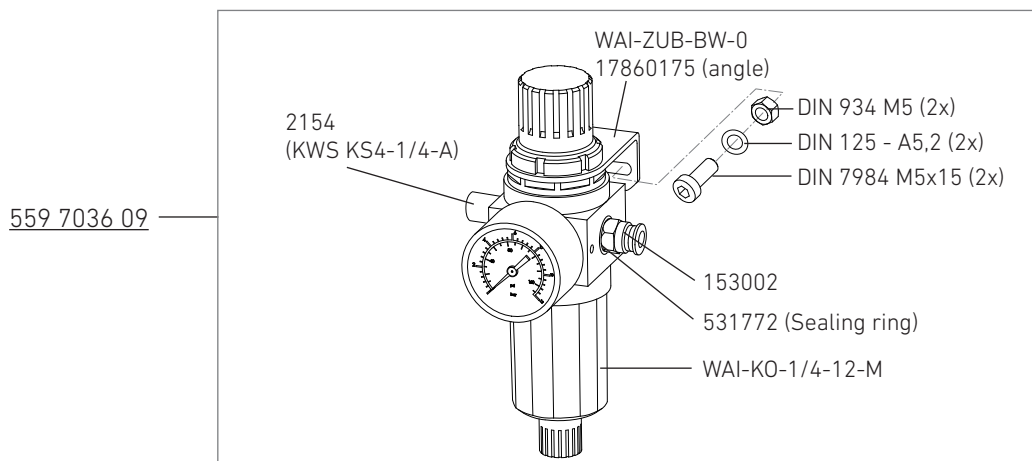
NEEDLE COOLING



Needle Cooling Set 559 2670 09:

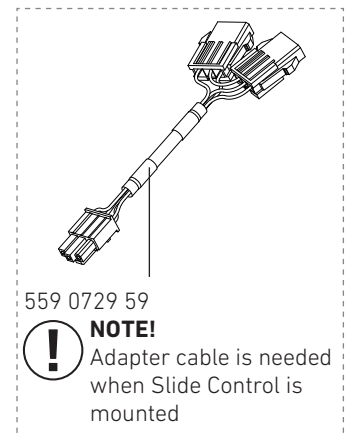
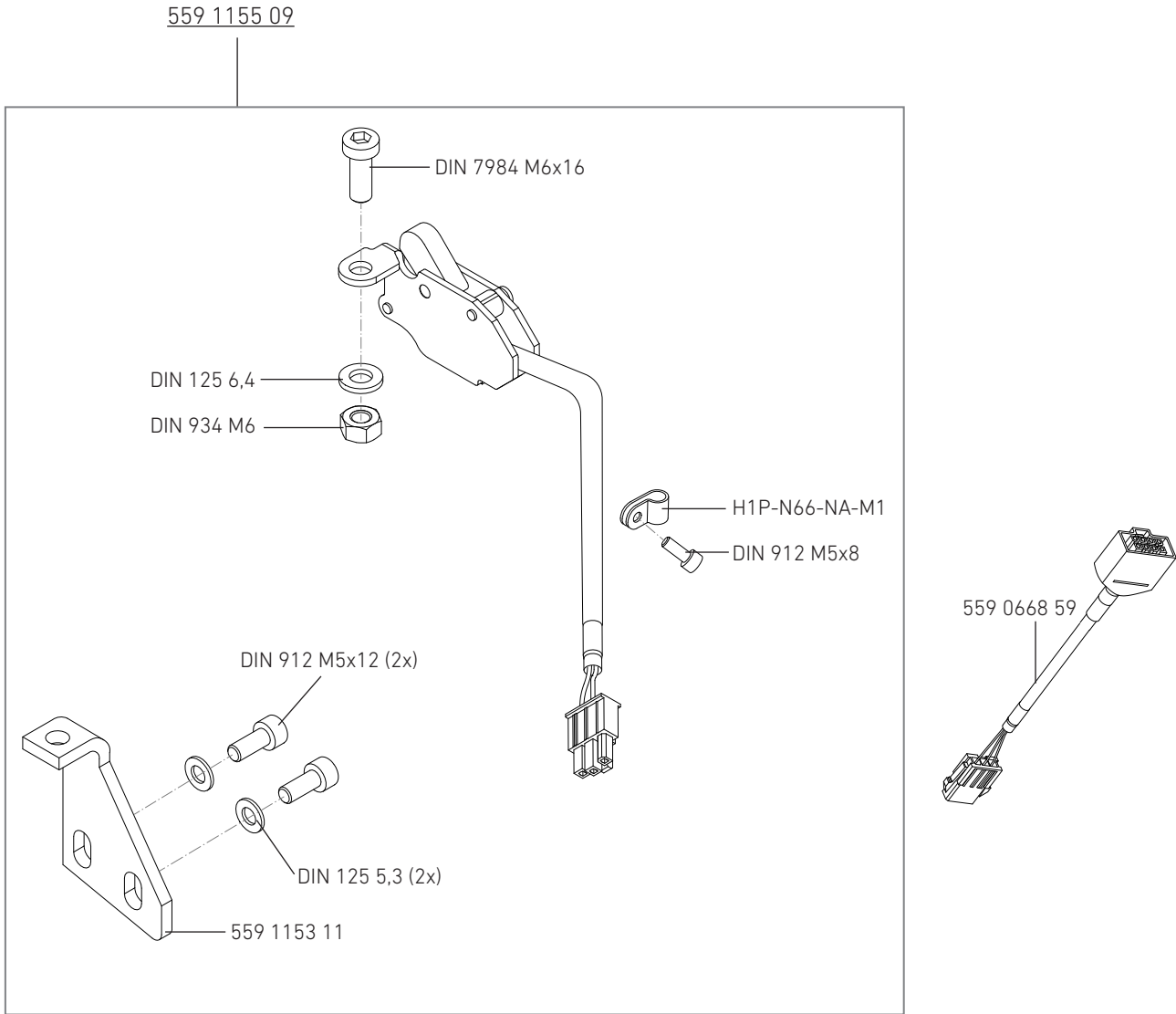
- | | |
|---|---|
| <ul style="list-style-type: none"> » Valve assy
559 0763 59 » Maintenance unit
17860121 » Tube 3x5
559 3107 34 » Tube PUN-6x4-SW
14012625 » Interconnect reduced
100 100 25 » Receptacle QSM-6-4
03070109 | <ul style="list-style-type: none"> » Throttle check valve L-DRV-B6-KU
21110102 » Screw
DIN 7981-4,2x32 (2x) <p>For Rack Mounting:</p> <ul style="list-style-type: none"> » Screw
DIN 912 M3x20 (2x) » Holder
559 2712 10 » Pipe
559 2713 10 » Screw
DIN 7984 M3x6 (zinc plated) |
|---|---|

MAINTENANCE UNIT



08. SEWING ACCESSORIES

04.04. SAFETY SWITCH KIT - 559 1155 09



08. SEWING ACCESSORIES

04.05. EYE GUARD - 558 740 000

EYE GUARD

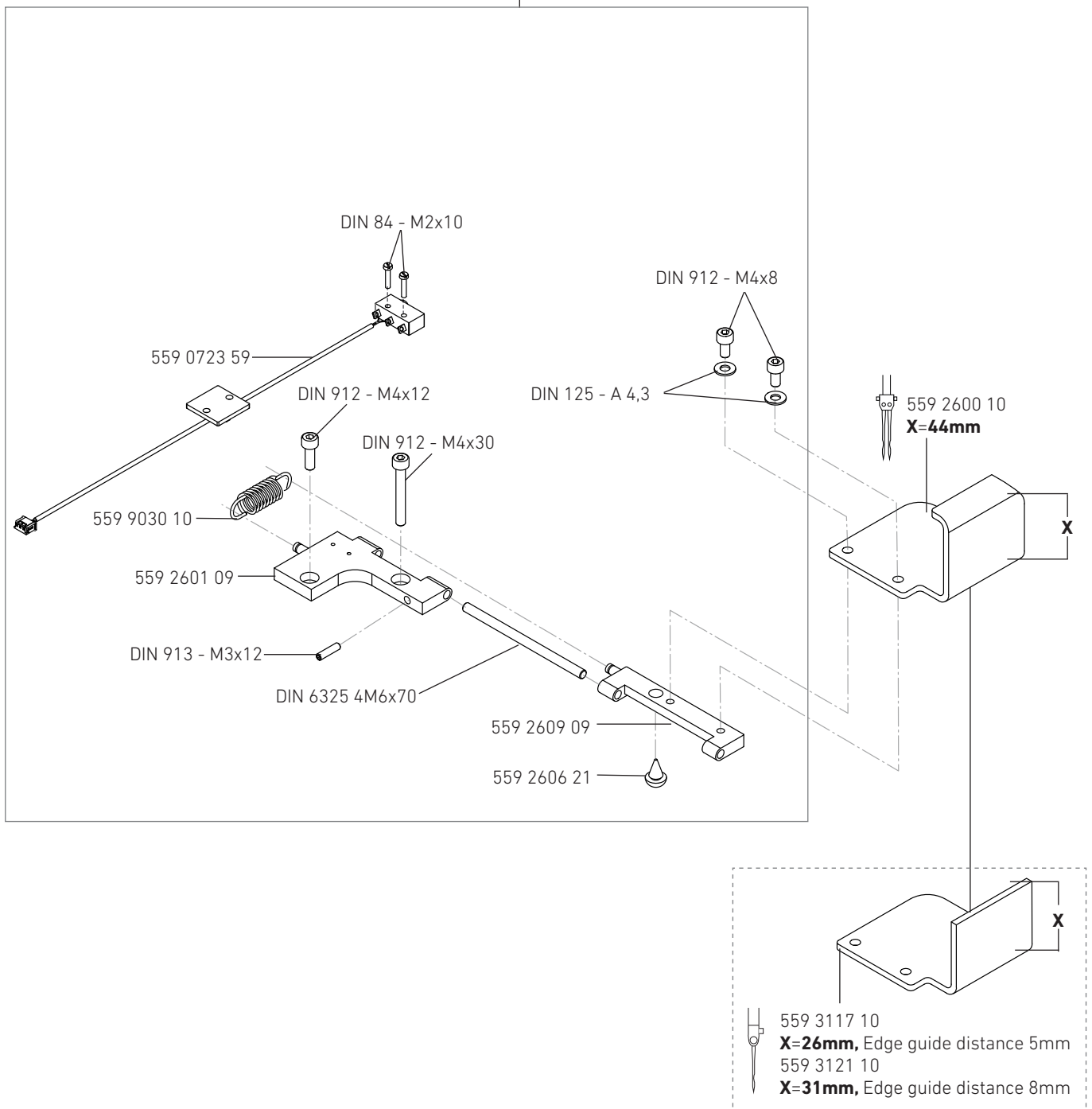
558 740 000 (44mm)

558 740 000 (31mm)

558 740 000 (26mm)

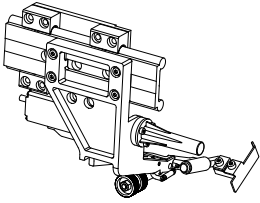
(The number in the brackets refers to the eye protection glas)

558 740 000

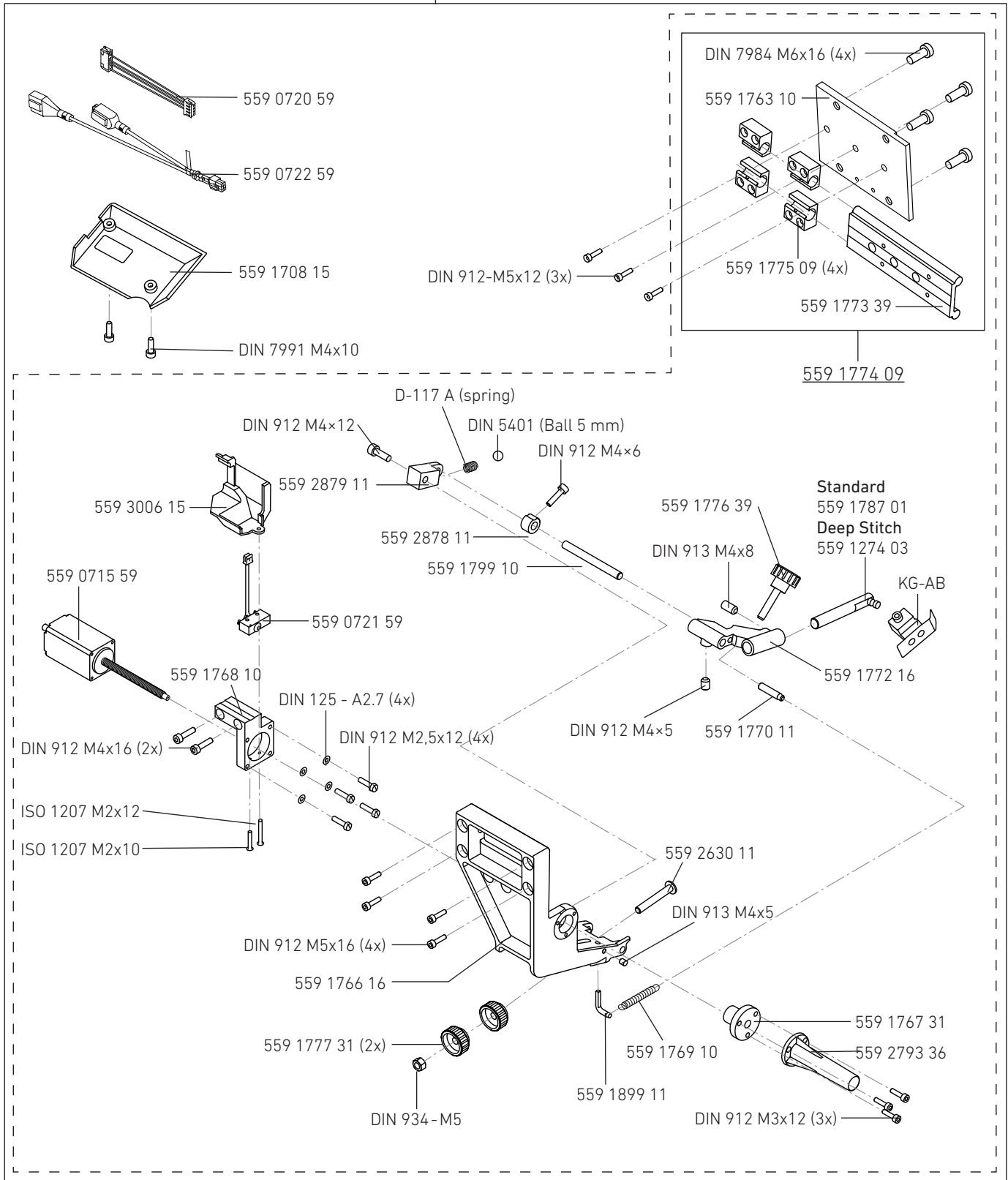


08. SEWING ACCESSORIES

04.06. ELECTRIC EDGE GUIDE - 558 710 000

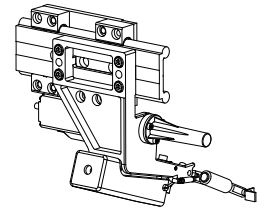


558 710 000

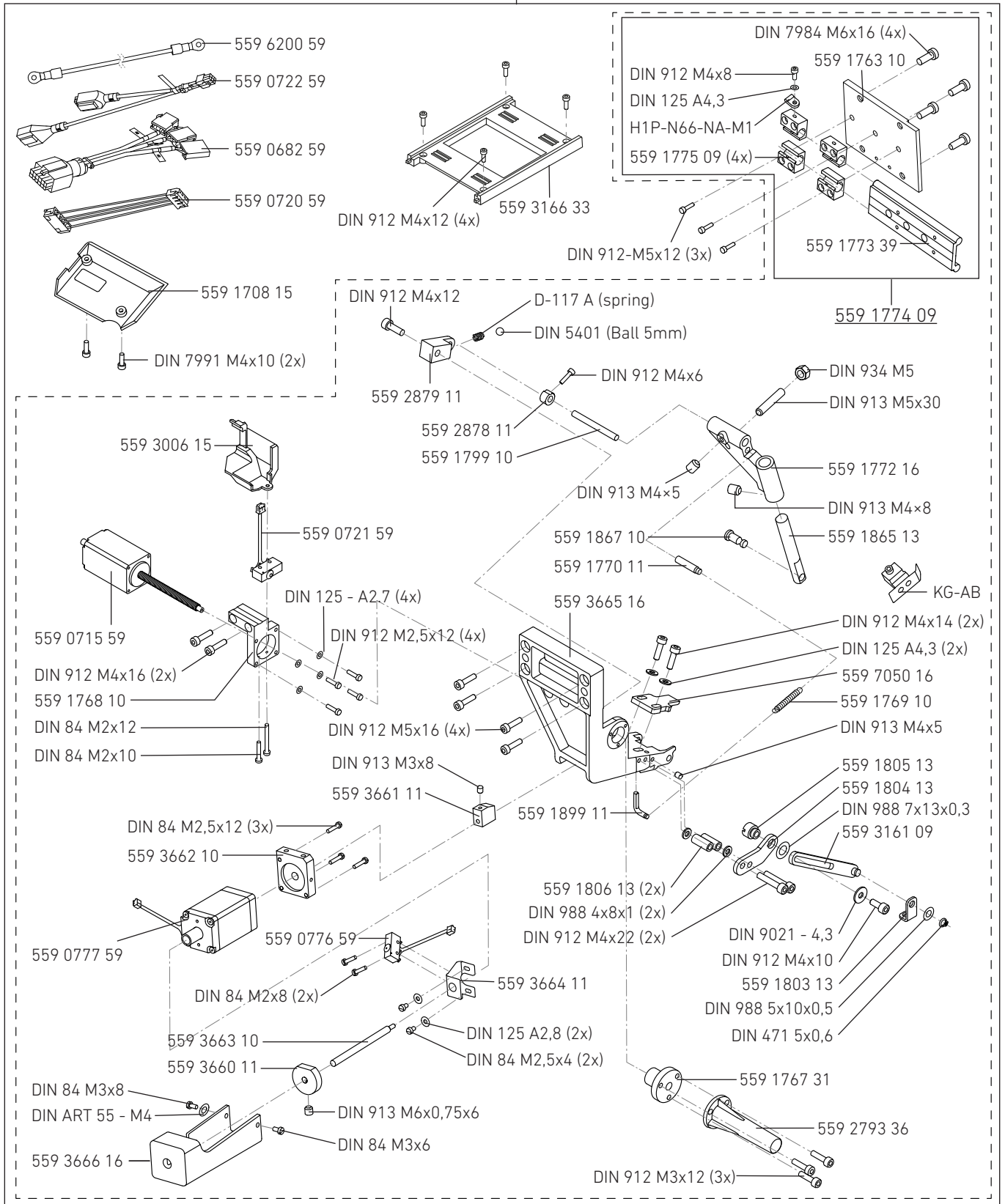


08. SEWING ACCESSORIES

04.07. HEIGHT ADJUSTABLE ELECTRIC EDGE GUIDE - 558 711 000



558 711 000

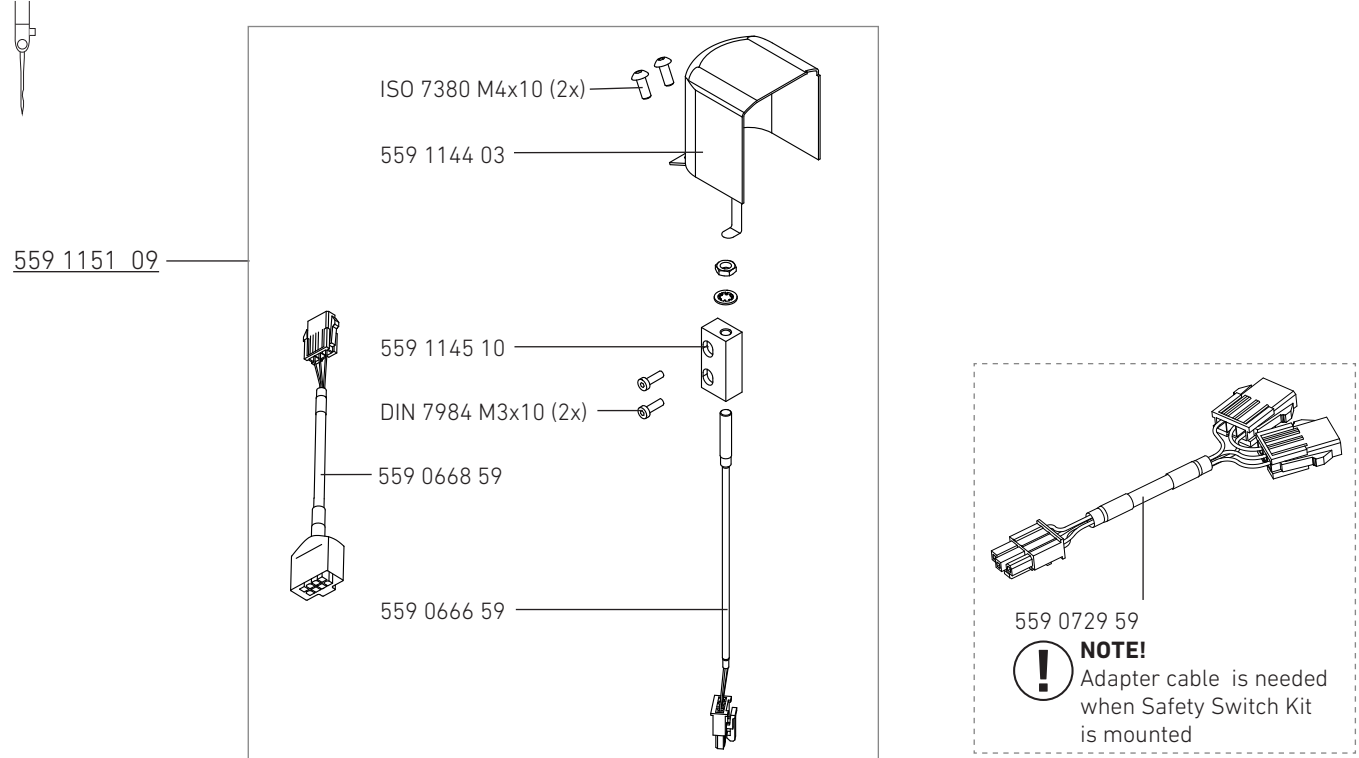


08. SEWING ACCESSORIES

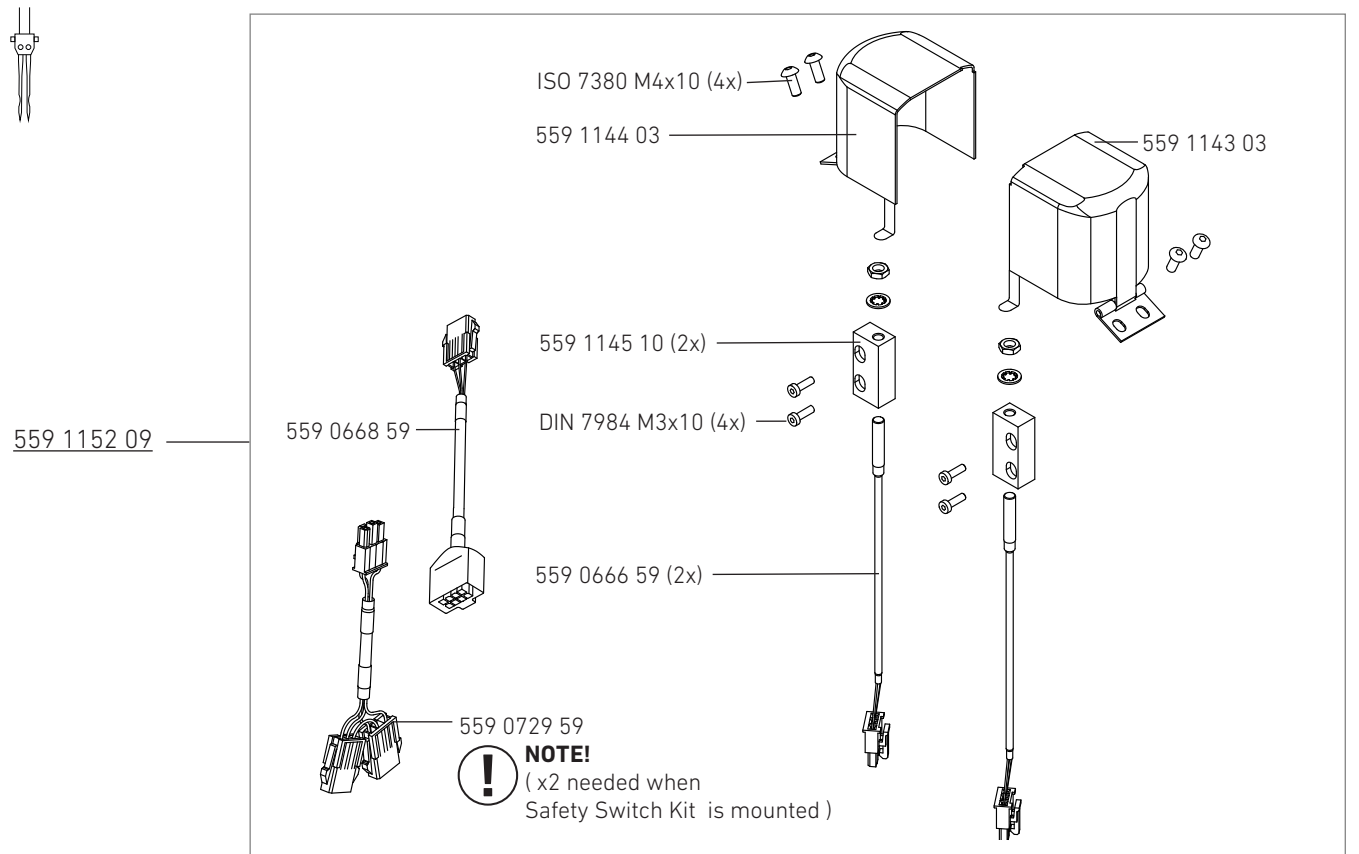
04.08. COVER CONTROL KIT - 559 1151 09 / 559 1152 09

1 / 2-NEEDLE

1-NEEDLE / DEEPSTITCH



2-NEEDLE

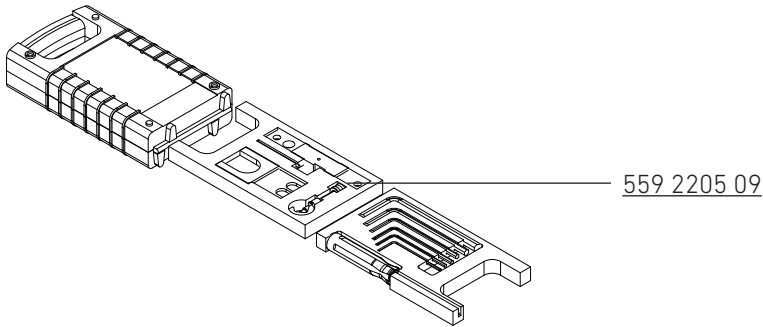


08. SEWING ACCESSORIES

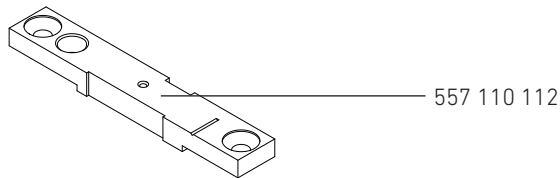
05. SERVICE KIT / ADJUSTMENT GAUGE

DESCRIPTION

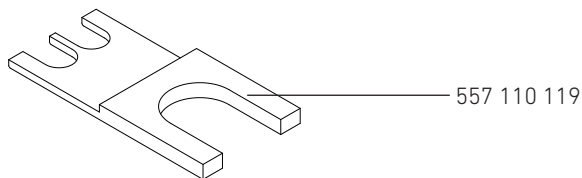
SERVICE KIT



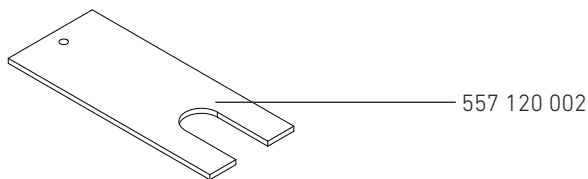
ADJUSTMENT GAUGE



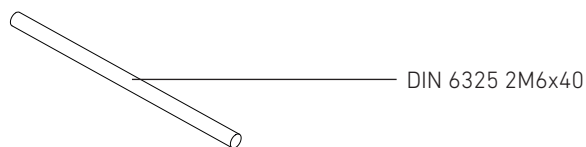
ADJUSTMENT GAUGE



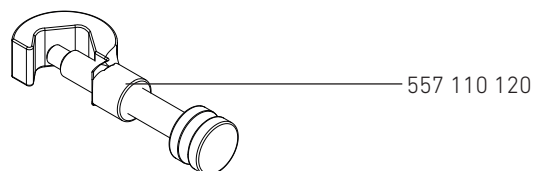
ADJUSTMENT GAUGE



PARALLEL PIN

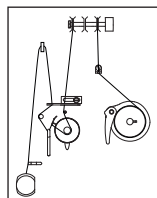


CLAMP

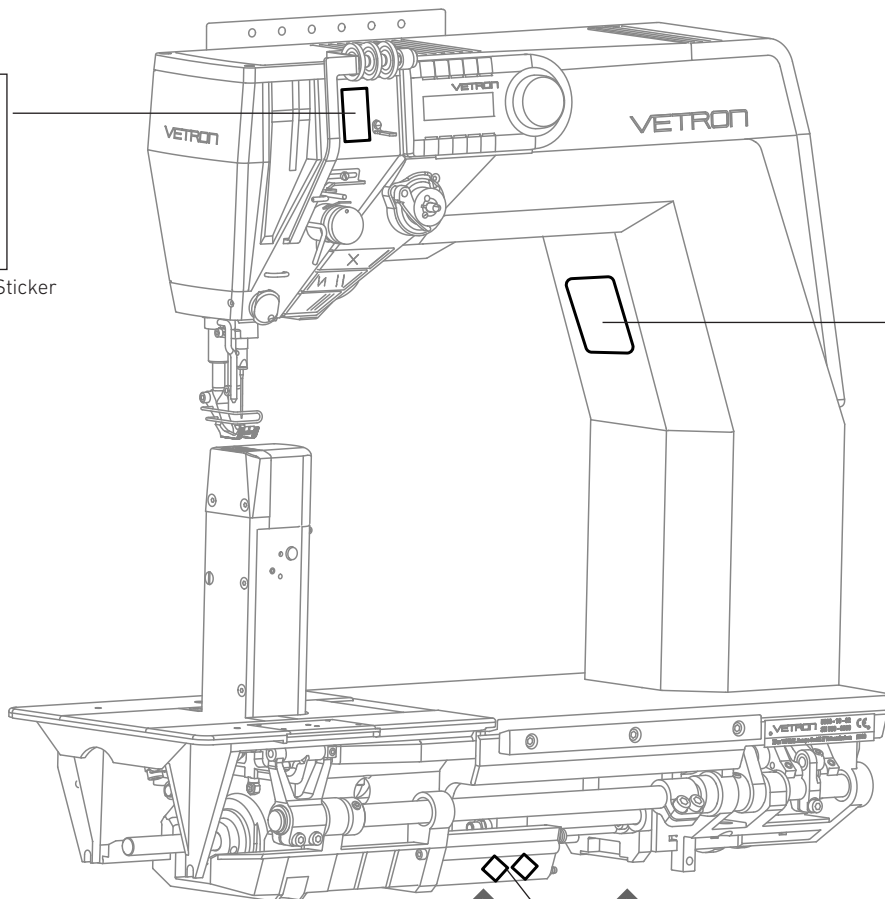


08. SEWING ACCESSORIES

06. STICKERS



Threading Scheme Sticker
559 3192 39



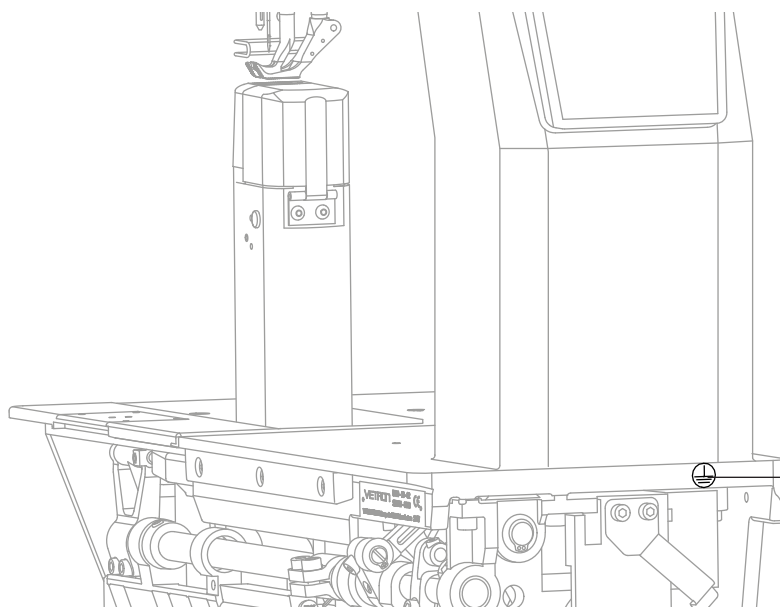
Safety Sticker
QT0000044



Health Hazard Sticker
559 3193 39



Environment Sticker
559 3194 39

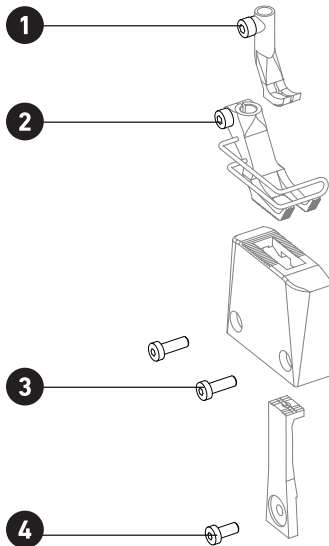


Grounding Sticker
559 3195 39

08. SEWING ACCESSORIES

07. NEEDLE GAUGE PARTS / 1-NEEDLE

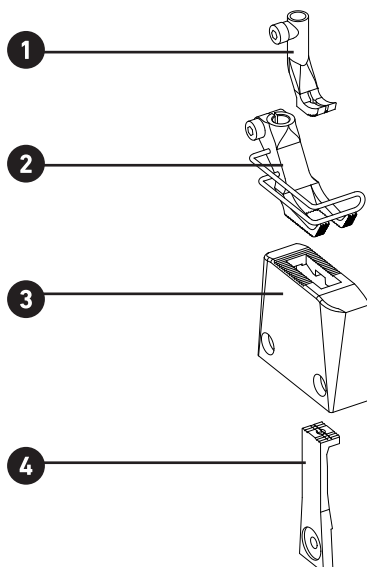
FASTENING PARTS FOR SEWING EQUIPMENTS



POS-Nr.	PART NAME	
1	DIN 912 - M4x6	nickel plated
2	DIN 912 - M4x10	nickel plated
3	DIN 7984 - M4x12	nickel plated
4	Din 912 - M4x8	nickel plated

POS-NR.	MODEL	STITCH LENGTH (mm)	ORDER #
---------	-------	--------------------	---------

SEWING EQUIPMENT FOR STANDARD SEWING OPERATIONS



SET:			ORDER #
1	-	4	558 302 009
1			559 4300 13
2			559 4201 09
3			559 4030 13
4			559 4130 13

08. SEWING ACCESSORIES

07.01. NEEDLE GAUGE PARTS / 1-NEEDLE

	POS-NR.	MODEL	STITCH LENGTH (mm)	ORDER #
SEWING EQUIPMENT WITH RIGHT COMPENSATING GUIDE - FOR LAP SEAM OPERATIONS				
	SET:			558 303 009
	1 - 4			
	1			559 4307 13
	2			559 4209 09
	3			559 4037 13
	4			559 4130 13

	POS-NR.	MODEL	STITCH LENGTH (mm)	ORDER #
SEWING EQUIPMENT WITH LEFT COMPENSATING GUIDE - FOR LAP SEAM OPERATIONS				
	SET:			558 304 009
	1 - 4			
	1			559 4308 13
	2			559 4210 09
	3			559 4037 13
	4			559 4130 13

08. SEWING ACCESSORIES

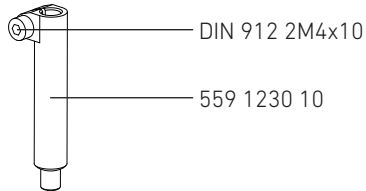
08. NEEDLE GAUGE PARTS / DEEPSTITCH

NOTE!

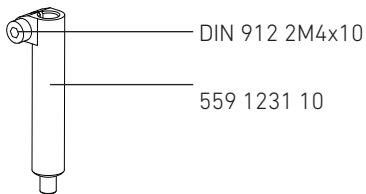
To order fastening screws, see **08.07.**

NOTE: Adapter Assy for Deepstitch are used, when Needle Gauge Parts from VE 5300 are already available

ADAPTER ASSY FOR DEEPSTITCH - OUTER FOOT

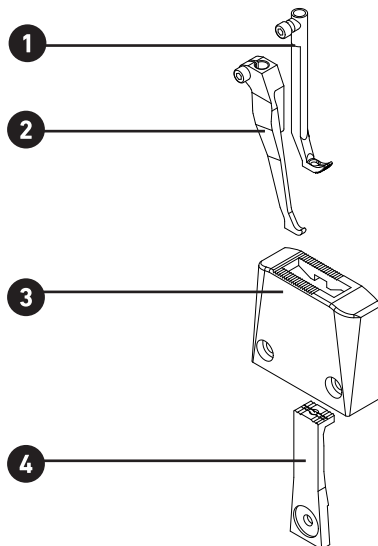


ADAPTER ASSY FOR DEEPSTICH - INNER FOOT



	POS-NR.	MODEL	STITCH LENGTH (mm)	ORDER #
--	---------	-------	--------------------	---------

SEWING EQUIPMENT FOR STITCHING ON EDGES ON THE RIGHT OF THE NEEDLE

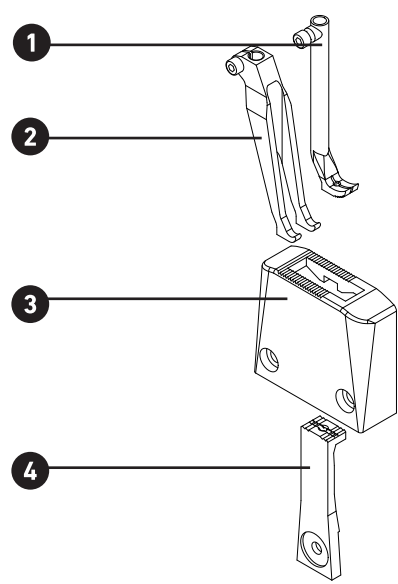


SET:

1 - 4	558 312 006
1	559 4320 13
2	559 4624 13
3	559 4033 13
4	559 4134 13

08. SEWING ACCESSORIES

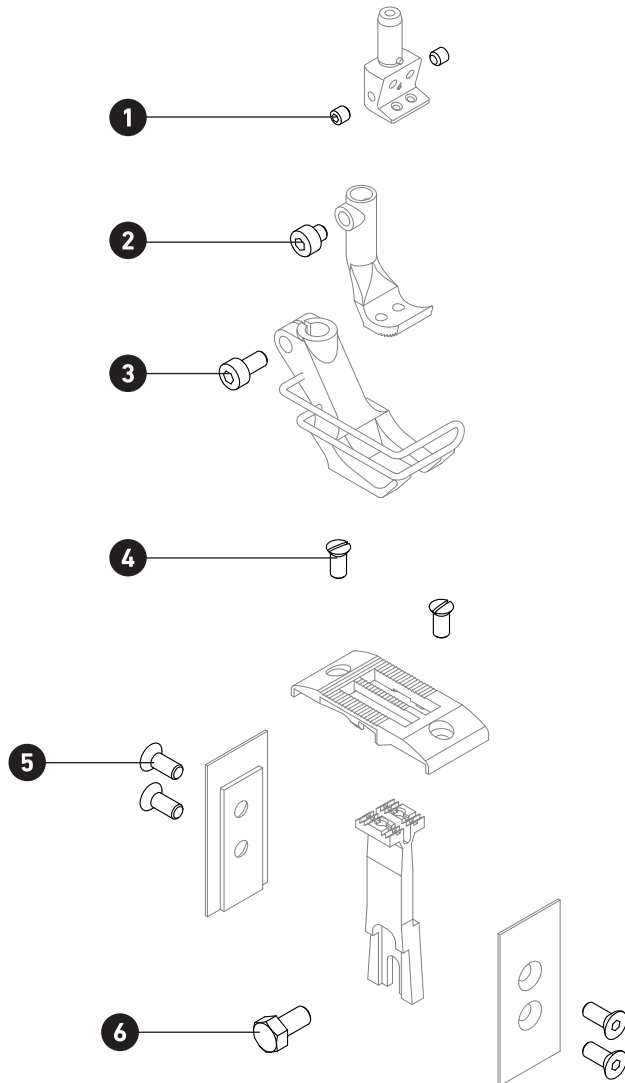
08.01. NEEDLE GAUGE PARTS / DEEPSTITCH

	POS-NR.	MODEL	STITCH LENGTH (mm)	ORDER #
SEWING EQUIPMENT FOR DEEEPSTICH MACHINE				
		SET:		558 311 009
	1	1 - 4		
	2	1		559 4315 13
	3	2		559 4623 13
		3		559 4030 13
		4		559 4130 13

08. SEWING ACCESSORIES

09. NEEDLE GAUGE PARTS / 2-NEEDLE

FASTENING PARTS FOR SEWING EQUIPMENT



FASTENING PARTS FOR SEWING EQUIPMENT

POS-NR.	PART NAME	AMOUNT
1	DIN 913 M3x2,5	2
2	DIN 912 M4x6 (nickel plated)	1
3	DIN 912 - M4x10 (nickel-plated)	1
4	559 1113 13	2
5	DIN 7991 - M4x10 (nickel-plated)	4
6	DIN 933 - M4x8	1

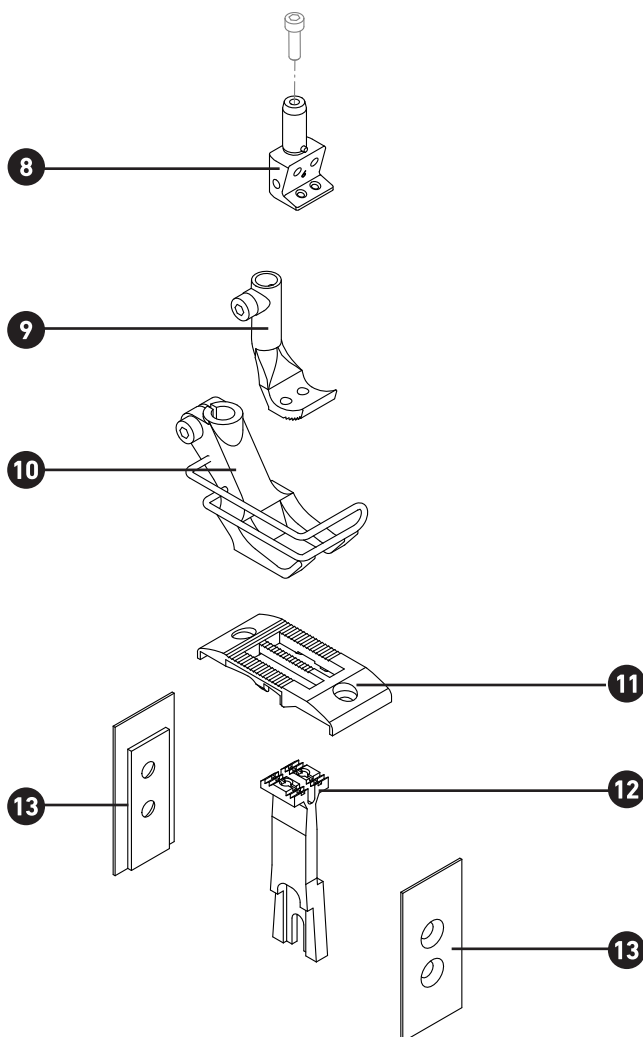
08. SEWING ACCESSORIES

09.01. NEEDLE GAUGE PARTS / 2-NEEDLE

NOTE!

To order fastening screws, see **08.09.**

SEWING EQUIPMENT FOR STANDARD SEWING OPERATIONS



NEEDLE DISTANCE SET: 8 - 13	NEEDLE HOLDER 8	INNER FOOT 9	OUTER FOOT 10	NEEDLE PLATE 11	FEED DOG 12	PLATE 13
6mm 558 321 009/6	559 1203 09	559 4700 13	559 4600 09	559 4420 13	559 4512 13	559 1177 13
8mm 558 321 009/8	559 1204 09	559 4701 13	559 4601 09	559 4421 13	559 4513 13	559 1178 13
10mm 558 321 009/10	559 1205 09	559 4702 13	559 4602 09	559 4422 13	559 4514 13	559 1179 13
12mm 558 321 009/12	559 1206 09	559 4703 13	559 4603 09	559 4423 13	559 4515 13	559 1180 13

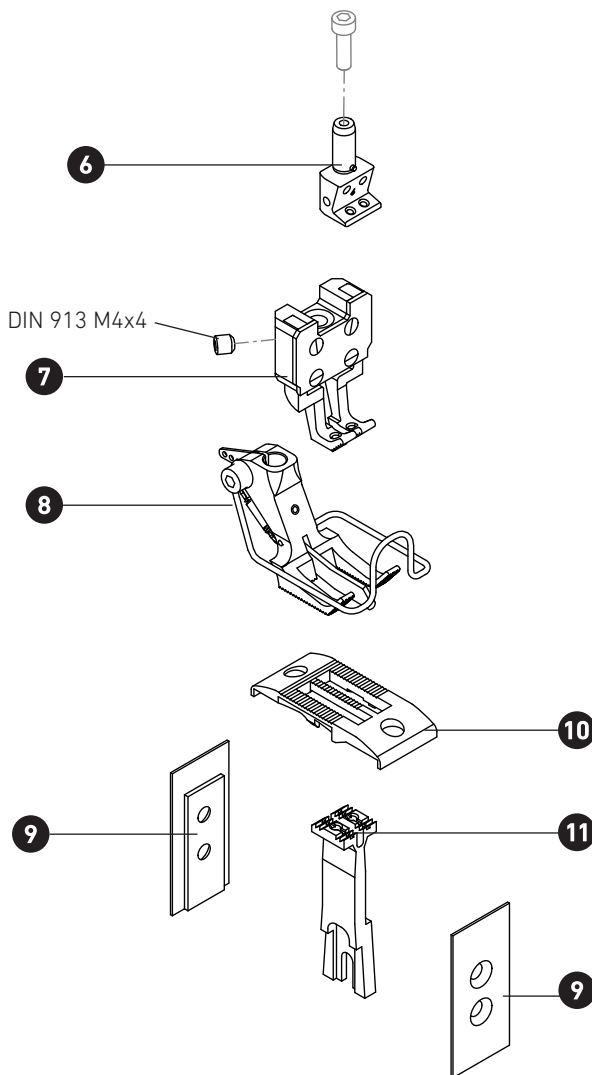
08. SEWING ACCESSORIES

09.02. NEEDLE GAUGE PARTS / 2-NEEDLE / MIDDLE SEAM GUIDE AND 2-PART LEVELING FOOT

NOTE!

To order fastening screws, see **08.09.**

SEWING EQUIPMENT FOR STANDARD SEWING OPERATIONS - BUT WITH MIDDLE SEAM GUIDE AND 2-PART LEVELING FOOT



NEEDLE DISTANCE SET: 6 - 11	NEEDLE HOLDER 6	INNER FOOT 7	OUTER FOOT 8	PLATE 9	NEEDLE PLATE 10	FEED DOG 11
6mm 558 341 009/6	559 1203 09	559 4712 09	559 4616 09	559 1177 13	559 4420 13	559 4512 13
8mm 558 341 009/8	559 1204 09	559 4713 09	559 4618 09	559 1178 13	559 4421 13	559 4513 13
10mm 558 341 009/10	559 1205 09	559 4714 09	559 4620 09	559 1179 13	559 4422 13	559 4514 13
12mm 558 341 009/12	559 1206 09	559 4715 09	559 4622 09	559 1180 13	559 4423 13	559 4515 13

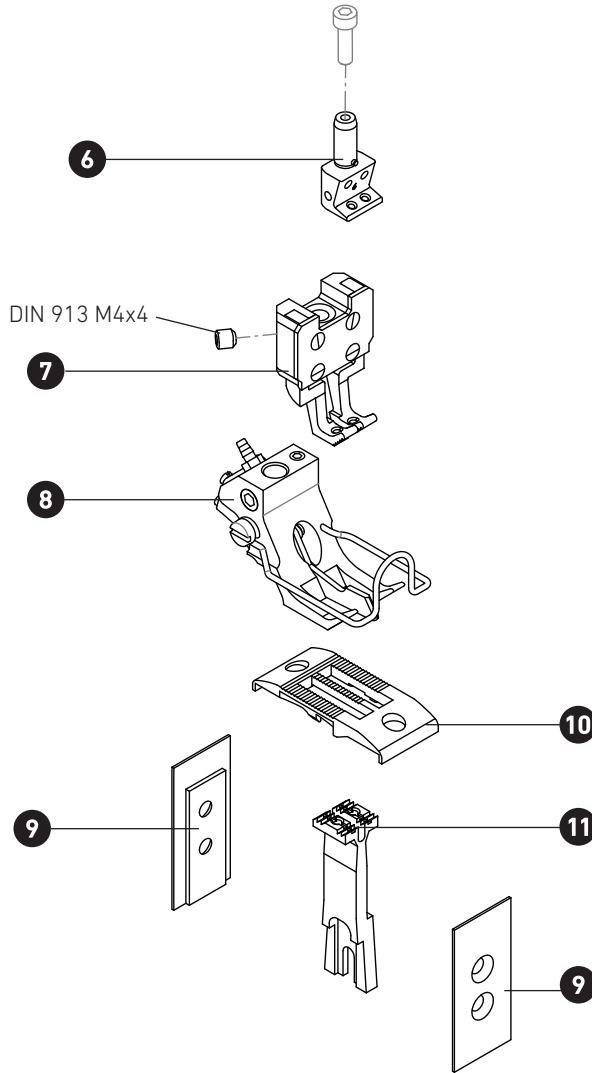
08. SEWING ACCESSORIES

09.03. NEEDLE GAUGE PARTS / 2-NEEDLE / MIDDLE SEAM GUIDE AND 2-PART LEVELING FOOT

NOTE!

- » In order to use the gauge parts, the pneumatic connection 559 2629 09 is required. See **08.09.04.**
- » To order fastening screws, see **08.09.**

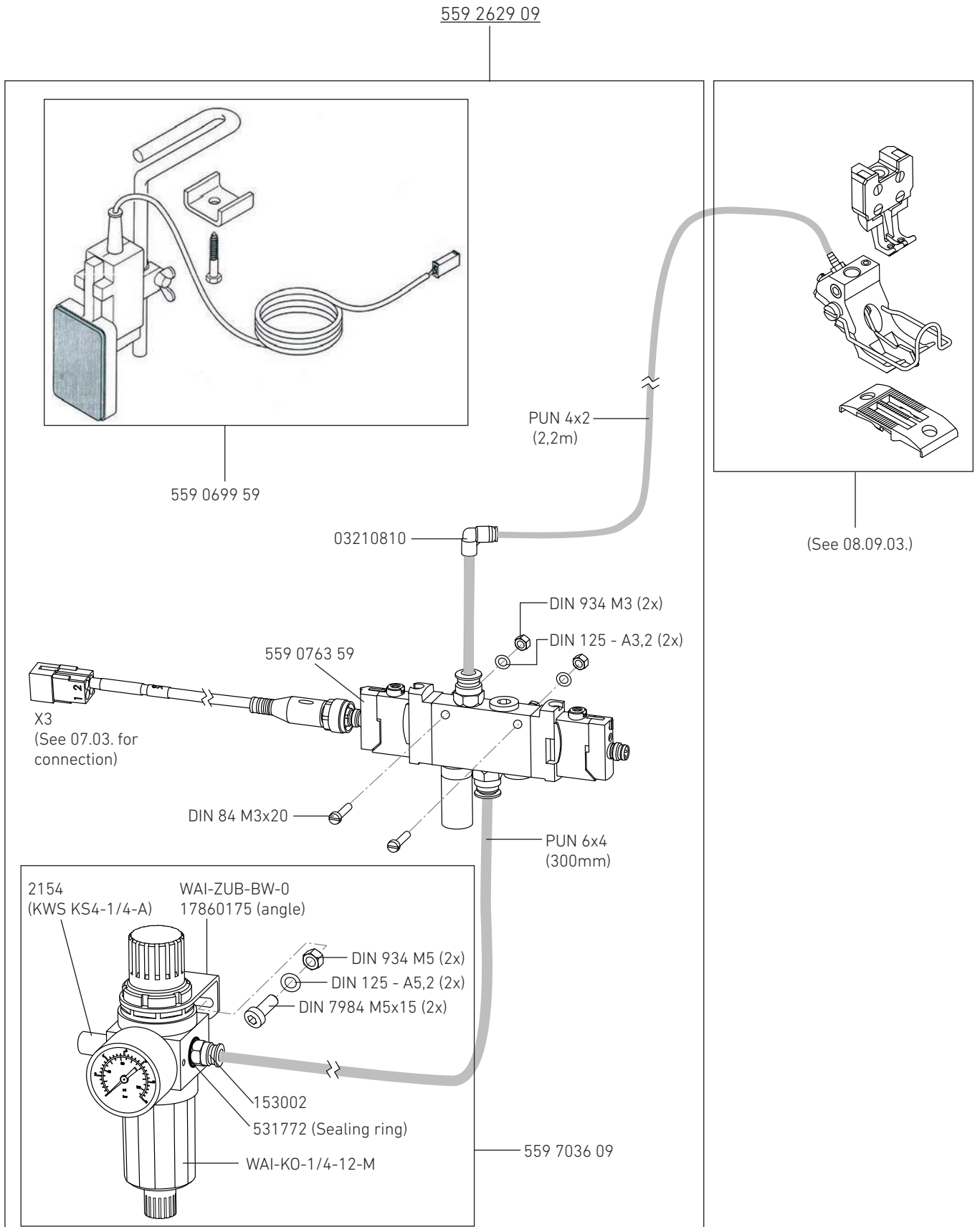
SEWING EQUIPMENT FOR STANDARD SEWING OPERATIONS -
BUT WITH A PNEUMATIC MIDDLE SEAM GUIDE AND 2-PART LEVELING FOOT



NEEDLE DISTANCE SET: 6 - 11	NEEDLE HOLDER 6	INNER FOOT 7	OUTER FOOT 8	PLATE 9	NEEDLE PLATE 10	FEED DOG 11
6mm 558 342 009/6	559 1203 09	559 4712 09	559 4640 09	559 1177 13	559 4420 13	559 4512 13
8mm 558 342 009/8	559 1204 09	559 4713 09	559 4641 09	559 1178 13	559 4421 13	559 4513 13
10mm 558 342 009/10	559 1205 09	559 4714 09	559 4642 09	559 1179 13	559 4422 13	559 4514 13
12mm 558 342 009/12	559 1206 09	559 4715 09	559 4643 09	559 1180 13	559 4423 13	559 4515 13

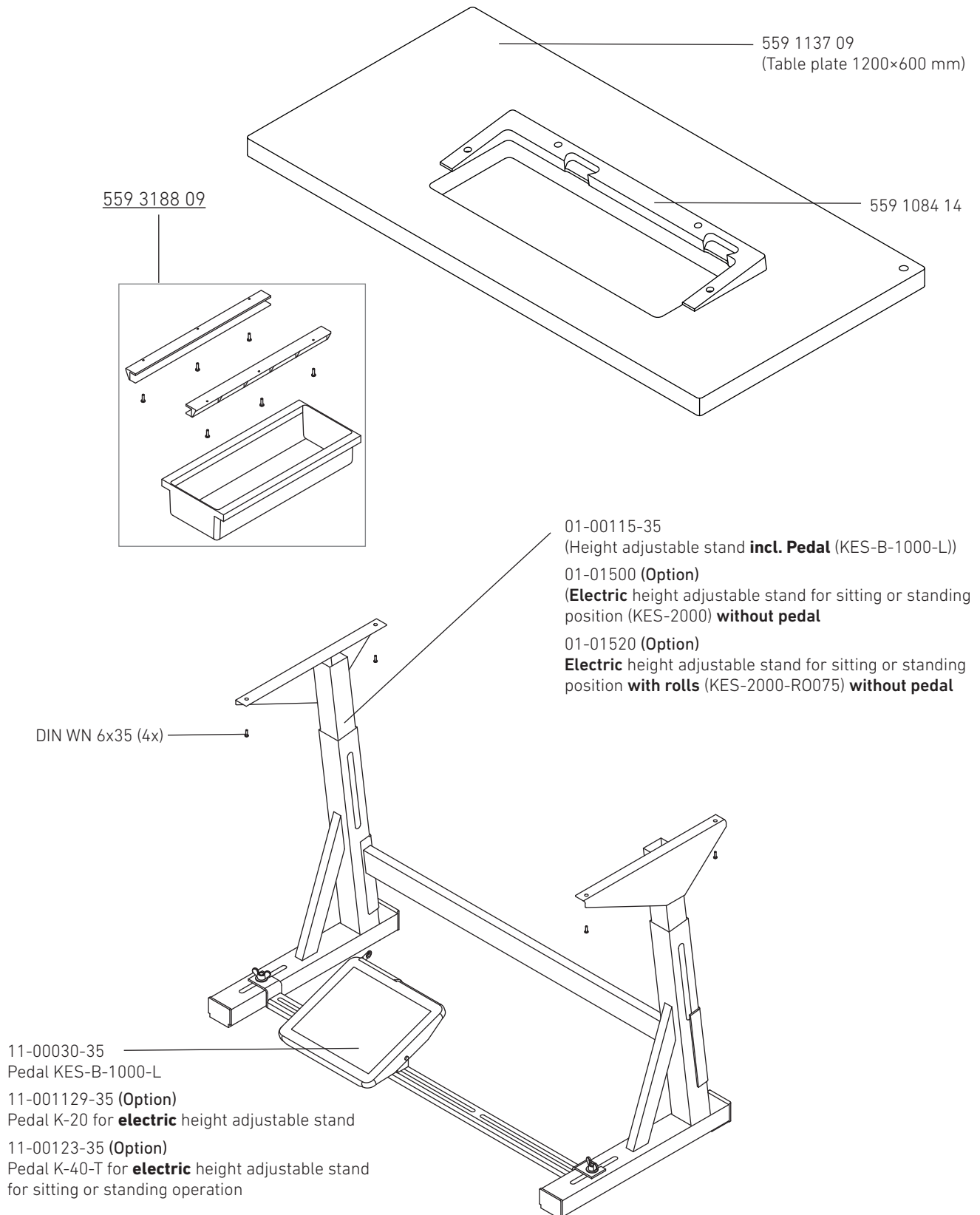
08. SEWING ACCESSORIES

09.04. PNEUMATIC CONNECTION FOR MIDDLE SEAM GUIDE 558 224 009 (SEE 08.09.03.)



86 01. TABLE STAND

09. TABLE STAND



INDEX - PARTS OF SEWING MACHINE

At the time of printing, all information and illustrations in this document were up-to-date.

Technical changes without prior notice!



NOTE!

- » Please take note of, we will not be liable for spare parts and accessories, not purchased from us. These parts were neither examined by us, nor released. Consequently, the installation or use of these products can have a negative influence on features and your workflow of the machine.
- » We accept no liability for any damage caused by the use of non-original parts.
- » Parts which are boxed have a underlined number.
These parts have a assembly part number!
- » The part numbers in the box can be seperately ordered.
- » Parts with a ★ means this part is new designed. The previous version is found at the end of the chapter. After consumption they will no longer be available.

INDEX - PARTS OF SEWING MACHINE

PART NUMBER	PAGE	PART NUMBER	PAGE
Symbole			
01-00115-35	88	557 110 119	75
Height adjustable stand incl. Pedal (KES-B-1000-L)		Adjustment gauge	
01-01500	88	557 110 120	75
(Electric height adjustable stand for sitting or standing position (KES-2000) without pedal (Option))		Clamp	
01-01520 (Option)	88	557 120 002	75
Electric height adjustable stand for sitting or standing position with rolls (KES-2000-RO075) without pedal		Adjustment gauge	
1F-014	64	558 302 009	77
Thread Stand / 3-Spools		Needle gauge parts	
006F00030	64	558 303 009	78
Thread Stand / 2-Spools		Needle gauge parts	
11-00030-35	88	558 304 009	78
Pedal KES-B-1000-L		Needle gauge parts	
11-00123-35	88	558 311 009	79
Pedal K-40-T for electric height adjustable stand for sitting or standing operation (Option)		Needle gauge parts	
11-001129-35	88	558 312 006	79
Pedal K-20 for electric height adjustable stand (Option)		Needle gauge parts	
93WF2-001	17	558 321 009/6	82
Screw		Needle gauge parts	
130.13.600	14	558 321 009/8	82
Spring (0,45)		Needle gauge parts	
179WF5-001	19	558 321 009/10	82
Needle bar (2-Needle)		Needle gauge parts	
209F01006	62	558 321 009/12	82
Hexagonal wrench for needle screw		Needle gauge parts	
217 1000 38	53	558 341 009/6	83
Tube clamp		Needle gauge parts	
230 1000 08	24	558 341 009/8	83
Holder		Needle gauge parts	
500 011 404	19	558 341 009/10	83
Screw		Needle gauge parts	
500 034 322	54	558 341 009/12	83
Rubber plug		Needle gauge parts	
500 035 330	56	558 342 009/6	84
Display button (Joy key)		Needle gauge parts	
500 035 501	56	558 342 009/8	84
Display button AB		Needle gauge parts	
500 035 502	56	558 342 009/10	84
Display button CD		Needle gauge parts	
500 035 506	56	558 342 009/12	84
Display button (Parameter)		Needle gauge parts	
500 035 510	56	558 701 000	68
Display button (Escape)		Roller & straight guide with fine adjustment	
557 110 112	75	558 702 000	68
Adjustment gauge		Straight guide with quick adjustment of two distances	
		558 710 000	72
		Electric edge guide	
		558 711 000	73
		Height adjustable edge guide assy	

INDEX - PARTS OF SEWING MACHINE

PART NUMBER	PAGE	PART NUMBER	PAGE
558 740 000 Eye Guard	71	559 0092 10 Gear wheel	20
558 8000 04 Hexagonal wrench s=1,3 black	62	559 0093 10 Spring (Standard)	20
559 0006 11 Collar	12, 13	559 0095 10 Shaft	20
559 0009 09 Cover	24	559 0096 10 Bolt	21
559 0010 09 Cover	09	559 0098 10 Shaft	17
559 0014 10 Clamp	46	559 0099 10 Gear wheel segment	21
559 0026 10 Shaft	31	559 0102 10 Collar	20
559 0029 10 Crank	31	559 0103 10 Slide block	17
559 0032 10 Eccentric bushing	31	559 0104 09 Thread take up assy (1-Needle 26mm)	17
559 0035 10 Washer	31	559 0117 10 Gear wheel	21
559 0038 10 Shaft	31	559 0119 13 Shaft	12, 13
559 0043 09 Elevator mechanism assy	31	559 0121 33 Cover	09
559 0047 10 Crank	31	559 0126 35 Cover	09
559 0054 35 Rubber plug	54	559 0127 36 Cover	09
559 0060 10 Collar	19	559 0130 09 Frame assy (1-Needle)	12
559 0061 10 Timing belt pulley	45, 50	559 0132 13 Thread guide	12, 13
559 0062 15 Balance wheel	50	559 0133 13 Thread guide	12, 13
559 0072 10 Crank-arm shaft	17	559 0145 09 Stitchregulator assy	46
559 0075 09 Pendular assy	19	559 0160 09 Coupling assy	45
559 0080 10 Guide way	19	559 0163 09 Stitchregulator - top feed	17, 18
559 0081 10 Plate	19	559 0166 10 Timing belt pulley	45
559 0085 10 Crank	20	559 0169 10 Shaft	17
559 0087 10 Spring guide	20	559 0173 00 Lever with bolt	47
559 0091 10 Gear wheel	21	559 0181 10 Crank	47

INDEX - PARTS OF SEWING MACHINE

PART NUMBER	PAGE	PART NUMBER	PAGE
559 0188 10 Timing belt pulley	45	559 0351 10 Coupling	38
559 0192 10 Shaft	45	559 0352 14 Star	45
559 0196 10 Gear wheel	46	559 0354 13 Hinge	63
559 0197 10 Bolt	46	559 0375 09 1-Needle Thread tension assy	22
559 0198 10 Shaft	46	559 0392 15 Key cape	10
559 0199 10 Shaft	46	559 0393 13 Tension disc	14, 17
559 0218 35 Rubber cushion	63	559 0394 13 Frame balance wheel	10
559 0220 35 Rubber cushion (1-Needle)	24	559 0395 15 Ballance wheel	10
559 0227 33 Frame	24	559 0396 69 Key cape	10
559 0229 33 Frame behind	24	559 0397 69 Key cape	10
559 0230 35 Cover behind	24	559 0398 15 Key cape	10
559 0231 35 Cover	24	559 0407 16 Bed plate cover	28, 29
559 0233 35 Oil pan	63	559 0418 10 Plate	21
559 0237 30 Diffusion lens	12, 13	559 0420 00 Gear wheel assy	46
559 0239 09 Top foot assy	20	559 0422 00 Gear wheel assy	21
559 0241 10 Link lever	20	559 0424 16 Slide plate	28, 29
559 0244 35 Oil pan	63	559 0429 13 Thread guide	12, 13
559 0252 10 Adapter screw	30, 45	559 0430 36 Endcarriage	12
559 0294 09 Thread tension (2-Needle)	13	559 0432 12 Bearing bracket	63
559 0296 16 Tension spring	12	559 0435 15 Connection sheet	63
559 0299 09 Holder assy	22	559 0437 09 Hook oil reservoir assy	54
559 0301 10 Washer	35	559 0441 09 Solonoid thread catcher	37
559 0324 14 Felt ring	35	559 0458 39 Industrial Gas Spring GS-22-70-DD	63
559 0337 35 Rapper	35	559 0469 11 Shaft	50

INDEX - PARTS OF SEWING MACHINE

PART NUMBER	PAGE	PART NUMBER	PAGE
559 0471 16 Tension spring	13	559 0628 59 USB Flash Drive - Operator Optional	62
559 0479 10 Holder	45	559 0629 59 Control box VE 8340	57
559 0480 00 Slide rod assy	20	559 0633 59 Head base cable	59
559 0486 00 Shaft with coupling	50	559 0637 59 Thread tension cable	60
559 0493 13 Thread guide	12, 13	559 0638 59 Trimmer cable	60
559 0496 10 Bolt	47	559 0641 59 Control panel basic machine	56
559 0499 10 Spring	10	559 0644 59 Foot position sensor cable	16, 59
559 0501 59 LED-PCB	12, 13	559 0646 59 CTL-cable	60
559 0506 59 Circuit board	10	559 0649 59 Cable	10
559 0507 59 Head base with CPU	59	559 0654 59 Power cable	57
559 0514 59 Foot distance sensor PCB assy	22	559 0655 59 Cable encoder	45
559 0528 59 PCB	16	559 0657 59 Head cable extension	60
559 0551 59 Display button (cut)	56	559 0663 59 Bobbin winder cable	10
559 0552 59 Display button (needle position)	56	559 0666 59 Cable sensor	74
559 0553 59 Display button (light)	56	559 0667 59 Aptapter cable for 2-Needle	37
559 0554 59 Display button (new program)	56	559 0668 59 Adapter slide control cable	70, 74
559 0556 59 Display button (save)	56	559 0682 59 Cable	73
559 0560 59 Foot distance sensor PCB assy	16	559 0699 59 Knee switch with cable	66, 85
559 0568 59 Display button (chain program)	56	559 0704 59 Thread tension actuator	12, 13
559 0580 59 LED PCB with thermal pad	12, 13	559 0710 59 Presser foot stepper motor	21
559 0612 59 Cable	57	559 0713 59 Steppermotor Fei long	46
559 0613 59 FFC-Cable	59	559 0714 59 Top feed stroke motor	21
559 0618 59 Display Connector	10, 59	559 0715 59 Linear actuators with nut	72, 73
559 0626 59 USB Flash Drive - Admin	62	559 0716 59 Thread tension actuator (2-Needle)	13

INDEX - PARTS OF SEWING MACHINE

PART NUMBER	PAGE	PART NUMBER	PAGE
559 0720 59 Cable	72, 73	559 0926 09 Thread guide assy	14
559 0721 59 Cable	72, 73	559 0953 11 Cable holder	16
559 0722 59 Cable	72, 73	559 0956 15 Cover	16
559 0723 59 Adapter electr. eye guard assy	71	559 0957 14 Star	50
559 0729 59 Adapter cable	74	559 0958 10 Spring	11
559 0763 59 Pneumatic assy	85	559 0960 09 Rotary hook assy (26mm)	34
559 0776 59 Adapter cable with switch	73	559 0963 14 Felt	19
559 0777 59 Stepper Motor with cable	73	559 0964 01 Plate assy	16
559 0804 10 Plate	24	559 0968 11 Cable holder	16
559 0809 10 Holder	22	559 0972 35 Cover for panel connection	56
559 0812 10 Screw	20	559 0984 11 Holder	16
559 0820 10 Guide assy	16	559 0999 10 Adapter for additional equipment	68
559 0835 09 Foot distance sensor assy	22	559 1003 09 Lever with bushing	47
559 0841 09 Carrier with solenoid	10	559 1004 09 Feeding mechanism assy	31
559 0842 35 Foam block	24	559 1011 10 Gear wheel	36
559 0844 09 Cover behind - assy	24	559 1012 10 Cam	36
559 0847 11 Holder	19	559 1013 10 Clamp	36
559 0848 10 Screw	16	559 1014 10 Shaft	37
559 0856 30 Head cover	62	559 1015 10 Shaft with gear wheel	36
559 0863 14 Bushing	24, 52	559 1016 10 Shaft	36
559 0896 14 Felt	19	559 1019 10 Gear wheel	36
559 0899 11 Rubber plug	24, 52	559 1031 10 Carrier	37
559 0921 13 Thread guide	24	559 1032 10 Catcher	37
559 0922 11 Fixation for Display	56, 62	559 1038 10 Slide block	40, 41

INDEX - PARTS OF SEWING MACHINE

PART NUMBER	PAGE	PART NUMBER	PAGE
559 1039 10 Carrier	40, 41	559 1103 11 Cover	35
559 1040 00 Plate assy	40, 41	559 1105 09 Chain with plastik tube	63
559 1043 10 Bolt	40, 41	559 1106 10 Bobbin case opener	36
559 1051 10 Shaft	38	559 1107 09 Bushing assy	36
559 1052 09 Oil distributor assy	35	559 1108 10 Correcting adapter	37
559 1056 09 Bobbin case opener assy	36	559 1111 11 Plate	35
559 1057 10 Carrier	36	559 1115 00 Holder assy	37
559 1059 10 Plate	36	559 1116 10 Thread trapper	37
559 1061 11 Angle	11	559 1120 14 Oil tube	24
559 1062 35 Plate (2-Needle)	29	559 1126 10 Bushing	36
559 1063 10 Spring holder	35, 36	559 1128 09 Bushing with needle ring	36
559 1067 09 Center post 2-Needle	41	559 1131 10 Knife	37
559 1068 10 Post bed center 2-Needle	41	559 1135 09 Cover assy	35
559 1069 10 Thread cutting cam	38	559 1137 09 Table plate 1200x600	88
559 1071 09 Crank assy	46, 47	559 1143 03 Cover - left	74
559 1080 09 Center post assy	40	559 1144 03 Cover - right	74
559 1081 11 Post bed center 1-Needle	40	559 1145 10 Holder	74
559 1084 14 Socket	88	559 1151 09 Cover control kit 1-Needle	74
559 1086 09 Lever assy	37	559 1152 09 Cover control kit 2-Needle	74
559 1092 09 Lever assy	40, 41	559 1153 11 Holder	70
559 1094 16 Cover	40	559 1155 09 Safety Switch Kit	70
559 1096 35 Plate (1-Needle)	28	559 1156 16 Bed plate cover	67
559 1099 00 Plate assy	40, 41	559 1172 10 Thread cutting cam left	39
559 1101 10 Spring	35	559 1177 13 Plate	82, 83, 84

INDEX - PARTS OF SEWING MACHINE

PART NUMBER	PAGE	PART NUMBER	PAGE
559 1178 13 Plate	82, 83, 84	559 1274 03 Bolt assy - Deepstitch	72
559 1179 13 Plate	82, 83, 84	559 1279 16 Table	67
559 1180 13 Plate	82, 83, 84	559 1283 16 Angle	67
559 1203 09 Needle holder	82, 83, 84	559 1284 09 Table assy	67
559 1204 09 Needle holder	82, 83, 84	559 1700 09 Bobbin winder	11
559 1205 09 Needle holder	82, 83, 84	559 1708 15 Cover	16, 72, 73
559 1206 09 Needle holder	82, 83, 84	559 1709 00 Block assy	13
559 1211 09 Table assy	67	559 1710 09 Control & Bobbin Winder	10
559 1230 10 Adapter assy for deepstitch - outer foot	79	559 1711 35 Timing belt	45
559 1231 10 Adapter assy for deepstitch - inner foot	79	559 1713 35 Seal ring	45
559 1240 09 Lever assy	40	559 1719 09 Frame assy (2-Needle)	13
559 1244 09 Center post assy - Deepstitch	40	559 1723 09 Thread tension assy (2-Needle)	13
559 1245 11 Post bed center Deepstitch	40	559 1742 03 Thread guide (2-Needle)	13
559 1246 10 Shaft	37	559 1747 35 Timing belt	45
559 1247 09 Shaft with gear wheel	36	559 1760 59 Main motor Typical/YM24-D assy	45
559 1248 09 Bushing with needle ring	36	559 1763 10 Plate	72, 73
559 1249 16 Cover	40	559 1766 16 Carrier	72
559 1253 09 Needle bar assy - Deepstitch	19	559 1767 31 Nut	72, 73
559 1261 00 Plate assy	40	559 1768 10 Carrier	72, 73
559 1263 13 Thread guide	19	559 1769 10 Spring Z-081 RI	72, 73
559 1265 09 Table assy	67	559 1770 11 Bolt	73
559 1268 00 Plate assy	40	559 1772 16 Carrier	72, 73
559 1271 16 Table	67	559 1773 39 DryLyn W chain guide	72
559 1272 16 Angle	67	559 1774 09 Guide bloc	72, 73

INDEX - PARTS OF SEWING MACHINE

PART NUMBER	PAGE	PART NUMBER	PAGE
559 1775 09 Housing with bushing	72, 73	559 2600 10 Eye guard 44mm	71
559 1776 39 Knurled screw	72	559 2601 09 Plate assy	71
559 1777 31 Knurled nut	72	559 2606 21 Buffer	71
559 1787 01 Bolt assy	72, 73	559 2609 09 Plate assy	71
559 1798 13 Thread guide (26mm)	12, 13	559 2610 10 Plate	16
559 1799 10 Pin	72, 73	559 2616 10 Copper plate	10
559 1803 13 Angle	73	559 2617 14 Cover	39
559 1804 13 Holder	73	559 2621 34 L-connector	53
559 1805 13 Bolt	73	559 2622 10 Adapter	13
559 1806 13 Bolt	73	559 2629 09 Pneumatic connection for middle seam guide	85
559 1839 13 Hinge	63	559 2630 11 Bolt	72
559 1844 13 Plate	63	559 2632 12 Thread guide	13
559 1855 10 Thread take up spring C/D	13	559 2670 09 Needle cooling	69
559 1856 10 Thread take up spring C/D	13	559 2679 10 Bobbin (26mm)	34, 62
559 1865 13 Bolt	73	559 2695 09 Top foot assy	20
559 1867 10 Bolt	73	559 2769 09 Head electronics assy without bobbin winder	10
559 1886 09 Thread take up assy (2-Needle 26mm)	17	559 2773 10 Cotter bolt	63
559 1893 09 Barcode scanner	69	559 2774 10 Cotter pin	63
559 1899 11 Bolt	72, 73	559 2777 11 Plate	63
559 2153 16 Carrier	57	559 2793 36 Cover	72, 73
559 2155 09 Set point device	57	559 2878 11 Collar	72, 73
559 2161 09 Connecting rod	57	559 2879 11 Bloc	72, 73
559 2162 06 Mounting kit for control box	57	559 3001 09 Needle bar assy	19
559 2205 09 Service Kit	75	559 3002 13 Thread guide	19

INDEX - PARTS OF SEWING MACHINE

PART NUMBER	PAGE	PART NUMBER	PAGE
559 3006 15 Cover	72, 73	559 3233 10 Screw	34
559 3014 34 L-connector	53	559 3234 10 Screw	34
559 3015 34 Y-connector	53	559 3235 10 Tension spring (26mm)	34
559 3016 34 Y-connector	53	559 3237 10 Screw	34
559 3106 11 Anti-tamper protection	62	559 3238 10 Lubrication plate (26mm)	34
559 3107 34 Oil tube 3x5	52, 53	559 3240 10 Hook gib (26mm)	34
559 3108 34 Oil tube 6x8	52, 53	559 3242 10 Needle guard (26mm)	34
559 3109 34 Oil wick Ø 2mm	52, 53	559 3245 10 Screw	34
559 3110 09 Hook without bobbin case (26mm)	34	559 3619 09 Tread stand	65
559 3117 10 Eye guard 26mm	71	559 3629 03 Thread guide with tube	66
559 3121 10 Eye guard 31mm	71	559 3633 30 Tube 1000mm	66
559 3161 09 Connecting rod assy	73	559 3637 09 Clamp	65
559 3166 10 Frame	24, 73	559 3638 30 Tube 400mm	66
559 3180 09 1-Needle thread tension assy	12	559 3642 09 Thread Stand / Mounting-Kit-Vetron	64
559 3182 13 Disc	12	559 3644 09 Spindle shaft clamp	66
559 3188 09 Drawer	88	559 3646 09 Pipe- 600mm	65
559 3192 39 Threading Scheme Sticker	76	559 3647 09 Pipe - 600mm	65
559 3193 39 Health Hazard Sticker	76	559 3648 09 Pipe - 800mm	65
559 3194 39 Environment Sticker	76	559 3649 09 Pipe - 400mm	65
559 3195 39 Grounding Sticker	76	559 3650 09 Mounting-Kit Vetron	65
559 3218 13 Lever	11	559 3652 15 Foam	66
559 3223 10 Shaft	12	559 3653 10 Cover for thread stand cops	66
559 3226 10 Spring (0,35)	34	559 3658 09 Thread Stand - 1-Needle / Deepstitch	64
559 3229 09 Bobbin case (26mm)	34	559 3659 09 Thread Stand / 2-Needle	64

INDEX - PARTS OF SEWING MACHINE

PART NUMBER	PAGE	PART NUMBER	PAGE
559 3660 11 Collar	73	559 4512 13 Feed dog	82, 83, 84
559 3661 11 Cam	73	559 4513 13 Feed dog	82, 83, 84
559 3662 10 Plate	73	559 4514 13 Feed dog	82, 83, 84
559 3663 10 Threaded Spindle	73	559 4515 13 Feed dog	82, 83, 84
559 3664 11 Angle	73	559 4600 09 Outer foot	82
559 3665 16 Carrier	73	559 4601 09 Outer foot	82
559 3666 16 Cover	73	559 4602 09 Outer foot	82
559 4030 13 Stitch plate	77, 80	559 4603 09 Outer foot	82
559 4033 13 Stitch plate	79	559 4616 09 Outer foot	83
559 4037 13 Stitch plate	78	559 4618 09 Outer foot	83
559 4130 13 Feed dog	77, 78, 80	559 4620 09 Outer foot	83
559 4134 13 Feed dog	79	559 4622 09 Outer foot	83
559 4201 09 Outer foot	77	559 4623 13 Outer foot	80
559 4209 09 Outer foot	78	559 4624 13 Outer foot	79
559 4210 09 Outer foot	78	559 4640 09 Outer foot	84
559 4300 13 Inner foot	77, 78, 79, 80	559 4641 09 Outer foot	84
559 4307 13 Inner foot	78	559 4642 09 Outer foot	84
559 4308 13 Inner foot	78	559 4643 09 Outer foot	84
559 4315 13 Inner foot	80	559 4700 13 Inner foot	82
559 4320 13 Inner foot	79	559 4701 13 Inner foot	82
559 4420 13 Needle plate	82, 83, 84	559 4702 13 Inner foot	82
559 4421 13 Needle plate	82, 83, 84	559 4703 13 Inner foot	82
559 4422 13 Needle plate	82, 83, 84	559 4712 09 Inner foot	83, 84
559 4423 13 Needle plate	82, 83, 84	559 4713 09 Inner foot	83, 84

INDEX - PARTS OF SEWING MACHINE

PART NUMBER	PAGE	PART NUMBER	PAGE
559 4714 09 Inner foot	83, 84	B966234009 Spring	45
559 4715 09 Inner foot	83, 84	B966235009 Shell	45
559 6200 59 Cable	73	BX85720609 Screw	45
559 7016 09 Holder assy	20	BX85728009 Pipe	54
559 7017 10 Magnet stripe	22	BX85729009 Screw	35
559 7018 09 Foot distance sensor assy	16	BXF7055909 Clamp spring	54
559 7021 09 Assy	22	BXF7060009 Oil pipe	54
559 7036 09 Maintenance unit	69, 85	C C144588201 Thread tension spring (C) - standard	12
559 7050 16 Limit plate	73	C144588301 Thread tension spring (B)	12
559 7054 03 Safety catch	63	D D-117 A Spring	72, 73
559 7059 13 Plate	63	D-194 Soft spring	20
559 7062 13 Hinge	63	D-222 E Spring - Low pressure	20
559 7063 09 Safety catch for slanted base	63	H H1P-N66-NA-M1 Clamp	54, 73
559 9007 10 Soft spring	57	K k10x13x10 Needle ring	36
559 9008 10 Standard spring	57	KG-AA Edge guide (43mm)	68
559 9030 10 Spring	71	KG-AB Edge guide (30mm)	68, 72, 73
559 9044 34 Heat transfer pad	12, 13, 60	KG-B14 Ø 14mm Roller Ø 14mm	68
559 9139 09 Light clamp cable with thermal pad (1-Needle)	12, 60	KG-BZ Edge guide (24mm)	68
559 9141 09 Light clamp cable with thermal pad (2-Needle)	13, 60	KG-S04 Ø 04mm Roller Ø 04mm	68
2154 (KWS KS4-1/4-A) Coupling plug	85	KG-S11 Ø 11mm Roller Ø 11mm	68
153002 (QS-1-8-6) Coupling plug	85	M MB3A -N66-NA-C1 Self cable tie	54
531772 Sealing ring	85	O O-Ring 13x1,7	35
03210810 L-connector	85		
B B029006230 O-Ring 3,5x1,5	35		

INDEX - PARTS OF SEWING MACHINE

PART NUMBER	PAGE	PART NUMBER	PAGE
P			
PUN-4x2-SW Tube	85		
PUN-6x4-SW Tube	85		
Q			
QT0000044 Safety Sticker	76		
R			
Roller bearing K18x22x13	50		
S			
S105201003 Screw	19		
S150232005 Srew	20		
S151004003 Hexagonal wrench s=3	62		
S151004004 Hexagonal wrench s=4	62		
S151004005 Hexagonal wrench s=5	62		
S151004012 Hexagonal wrench s=2,5	62		
SuS 6346 Oil can with 0,4l oil	62		
W			
W060302001 Oil	62		
W060401017 Screw driver L	62		
W060401023 Screw driver S	62		
WAI-KO-1/4-12-M Maintenance unit	85		
WAI-ZUB-BW-0 Angle	85		
WN56 - 5x30 Screw	63		
WN56 - 6x30 Bolt	63		
WN56 - 6x60 Bolt	63		
Z			
Z-051NI Spring	35		

INDEX - PARTS OF SEWING MACHINE



VETRON TYPICAL EUROPE GmbH
Clara-Immerwahr-Str. 6
67661 Kaiserslautern, Germany
Tel.: +49 6301 320 75-0
Fax: +49 6301 320 75-11

info@vetrontypical.com
www.vetrontypical.com