



VETRON

» PARTS LIST

09/2021

STANDARD

- » 5400
- » 5410

© **VETRON | TYPICAL GmbH**

Clara-Immerwahr-Str. 6
67661 Kaiserslautern, Germany
Tel.: +49 6301 320 75-0
Fax: +49 6301 320 75-11
info@vetrontypical.com
www.vetrontypical.com

All rights reserved.

The instructions for use, service instructions, parts lists are protected by copyright. Any reuse of the content outside the copyright is without the written consent of VETRON | Typical GmbH inadmissible and punishable.

VETRON | Typical GmbH is only liable for damage caused by intent or gross negligence on the part of the manufacturer. Moreover, liability is excluded.

Reserve technical changes!

The contents were carefully prepared and checked by the publisher. Due to continuous developments, illustrations, functional steps and technical data may differ slightly.

Updating the documentation

If you have suggestions for improvement or have detected any irregularities, please contact us.

 The documents for the machines can be accessed by logging on <https://www.vetrontypical.com/> downloaded for free.



CE marked after §7 Prod SG

INDEX PARTS LIST

VETRON 5400 CYLINDER ARM MACHINE



04	GENERAL	
05	SEWING MACHINE OVERVIEW	
07	01. HEAD MODULE	
		557 110 000
23	02. FRAME MODULE	
		557 004 000
35	03. HANDWHEEL MODULE	
		557 410 000
37	04. LUBRICATION	
41	05. ELECTRONIC PARTS SEWING	
47	06. SEWING ACCESSORIES	
63	07. TABLE STAND	
65	INDEX - PARTS OF SEWING MACHINE	

GENERAL

At the time of printing, all information and illustrations in this document were up-to-date.

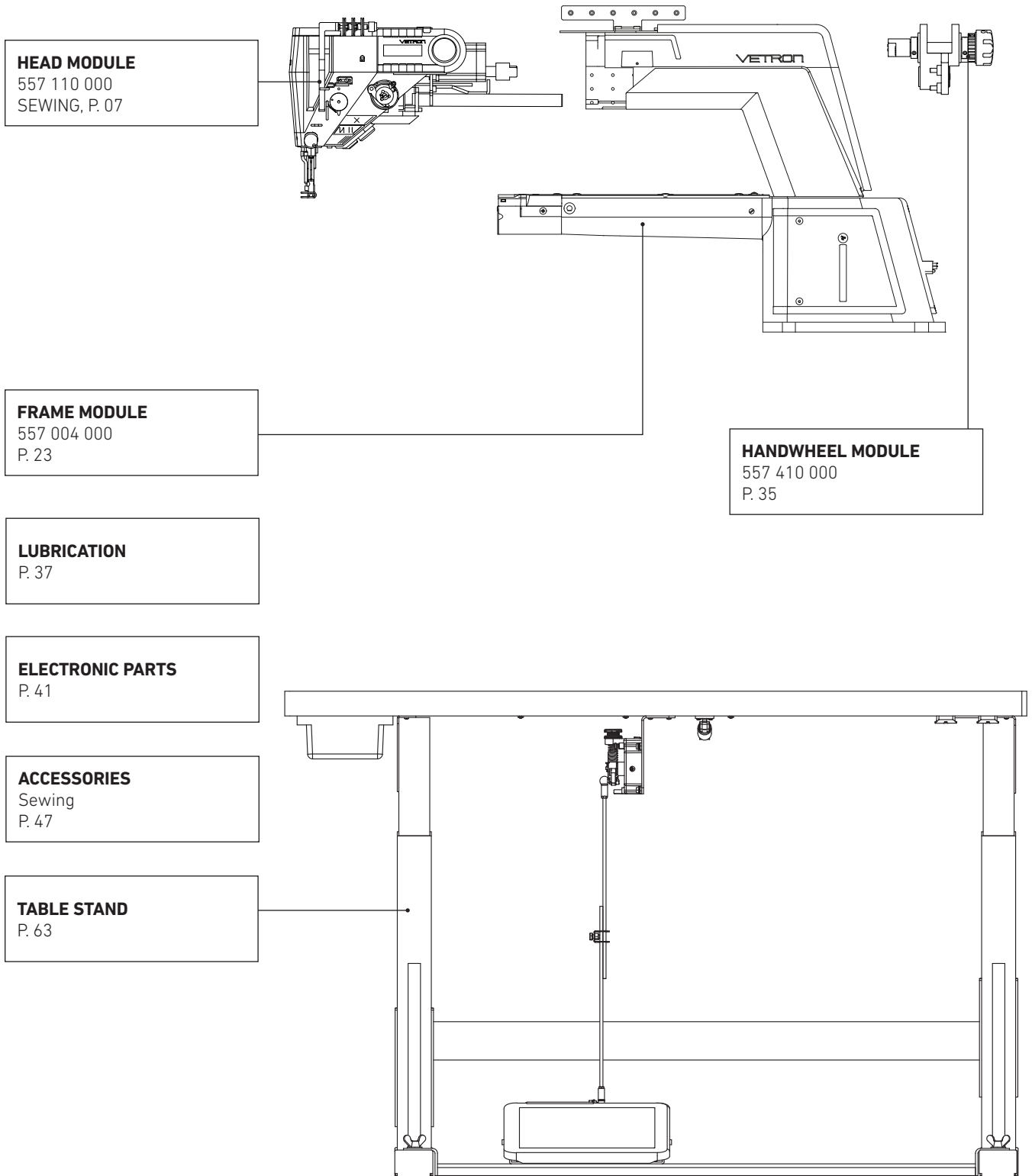
Technical changes without prior notice!



NOTE!

- » Please remember that we are not liable for spare parts and accessories not purchased from us. These parts were neither examined by us, nor released. Consequently, the installation or use of these products can have a negative influence on features and your workflow of the machine.
- » We accept no liability for any damage caused by the use of non-original parts.
- » Parts which are boxed have a underlined number. These parts have an assembly part number!
- » The part numbers in the box can be separately ordered.
- » Parts with a ★ have a new design. The previous version is found at the end of the chapter. After the parts in stock have been used up, they will no longer be available.

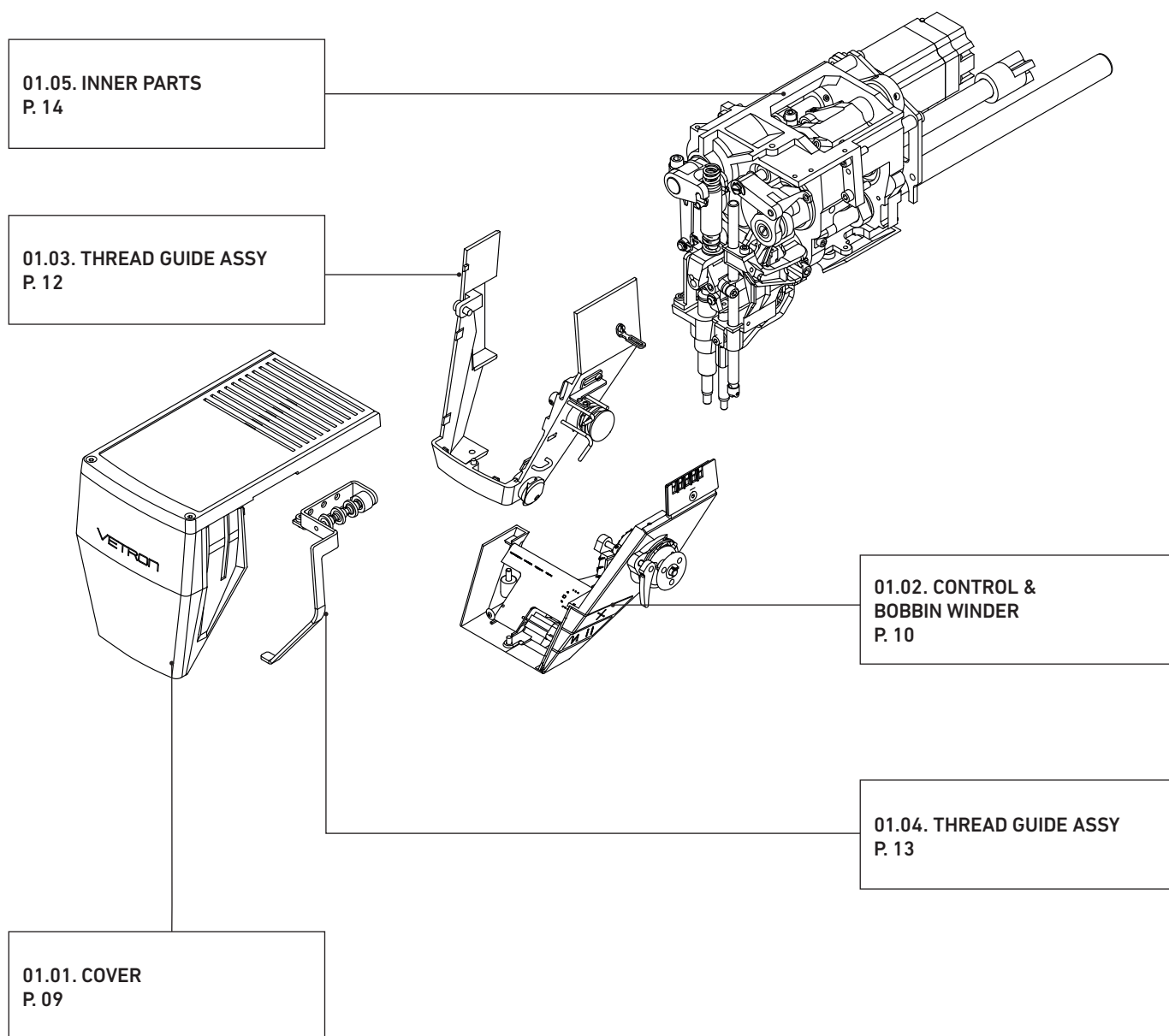
SEWING MACHINE OVERVIEW



08	01. OVERVIEW	<hr/>
09	02. COVER	<hr/>
10	03. HEAD ELECTRONICS ASSY & BOBBIN WINDER	<hr/>
11	04. BOBBIN WINDER	<hr/>
12	05. THREAD GUIDE ASSY	<hr/>
13	06. THREAD GUIDE ASSY	<hr/>
14	07. INNER PARTS – OVERVIEW	<hr/>
15	07.01. BEARING & COVER	<hr/>
16	07.02. THREAD TAKE-UP LEVER & STITCH REGULATOR	<hr/>
17	07.03. STITCH REGULATOR – TOP FEED - STROKE	<hr/>
18	07.04. NEEDLE BAR PENDULAR	<hr/>
19	07.05. TOP FEED MECHANISM	<hr/>
20	07.06. STEPPING MOTORS	<hr/>
21	08. PREVIOUS VERSIONS	<hr/>

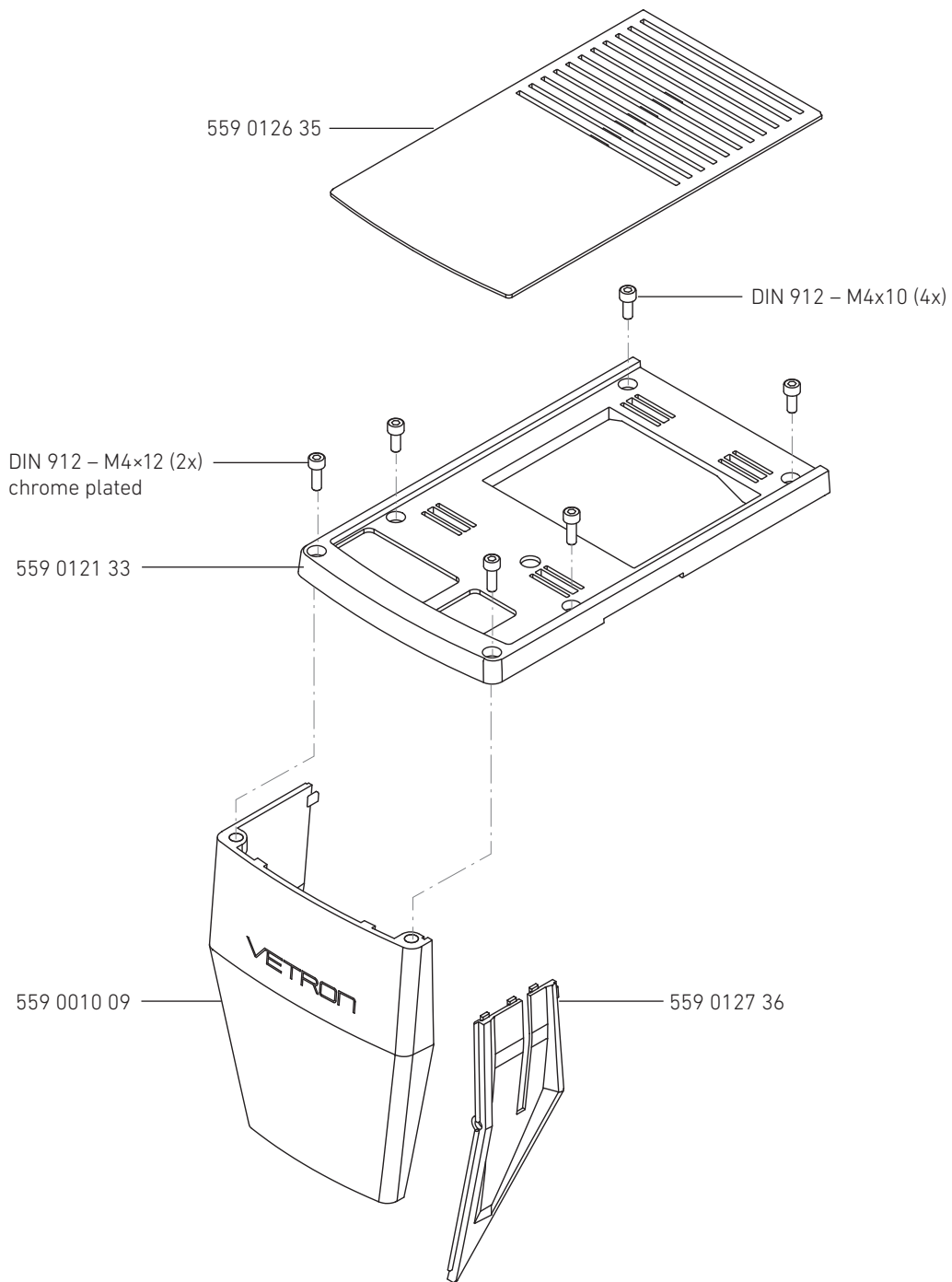
01. HEAD MODULE

01. OVERVIEW



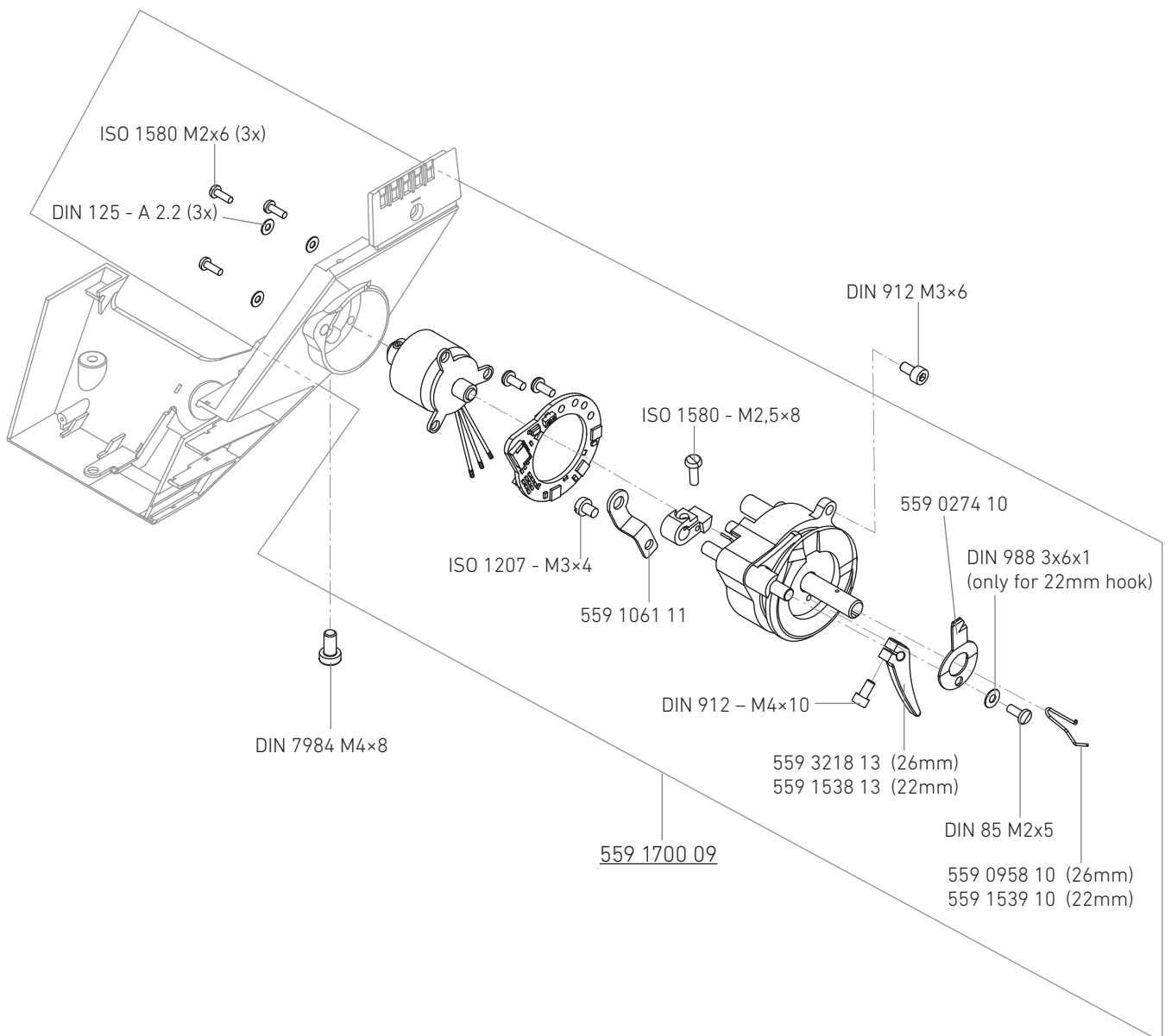
01. HEAD MODULE

02. COVER



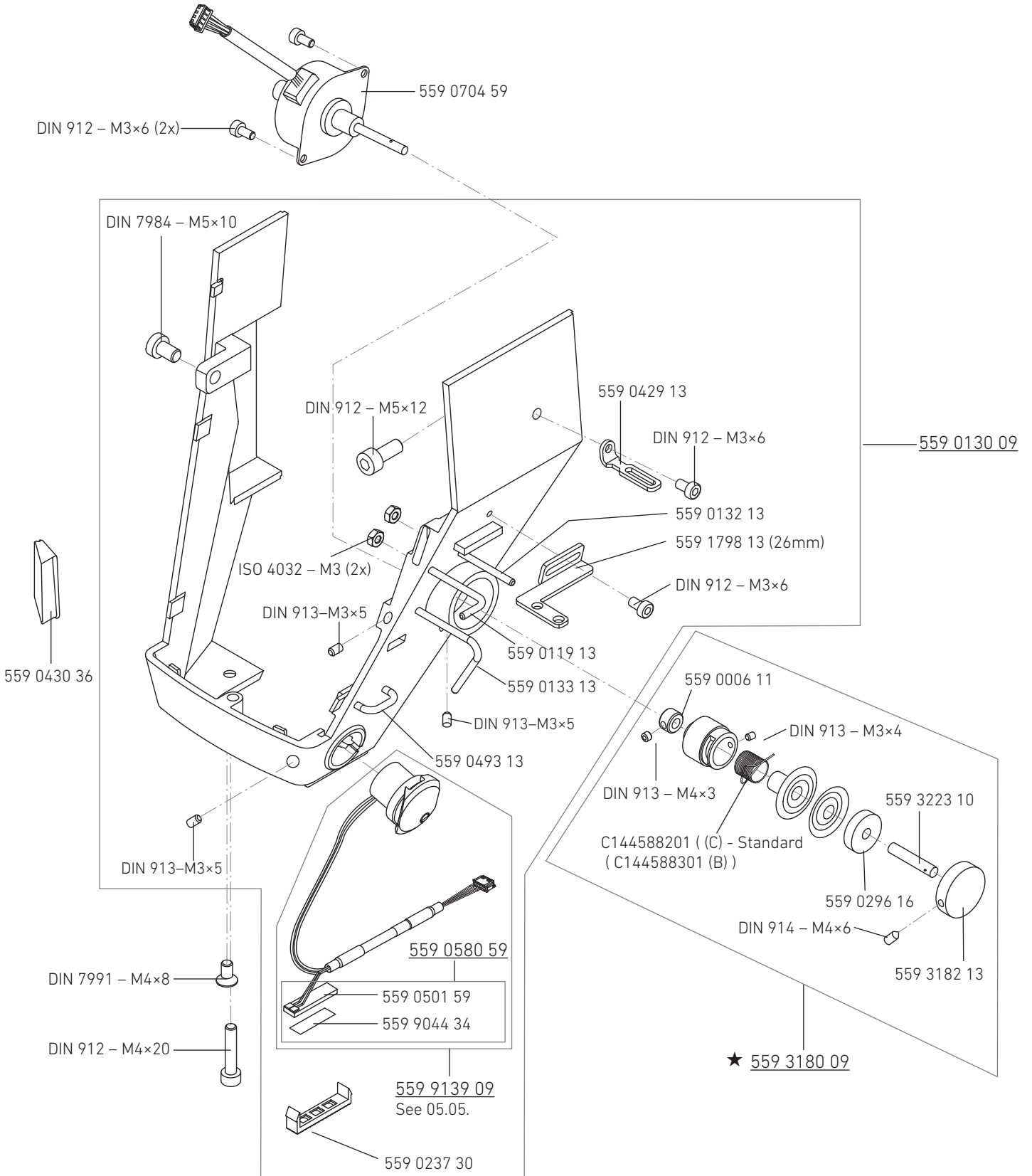
01. HEAD MODULE

04. BOBBIN WINDER

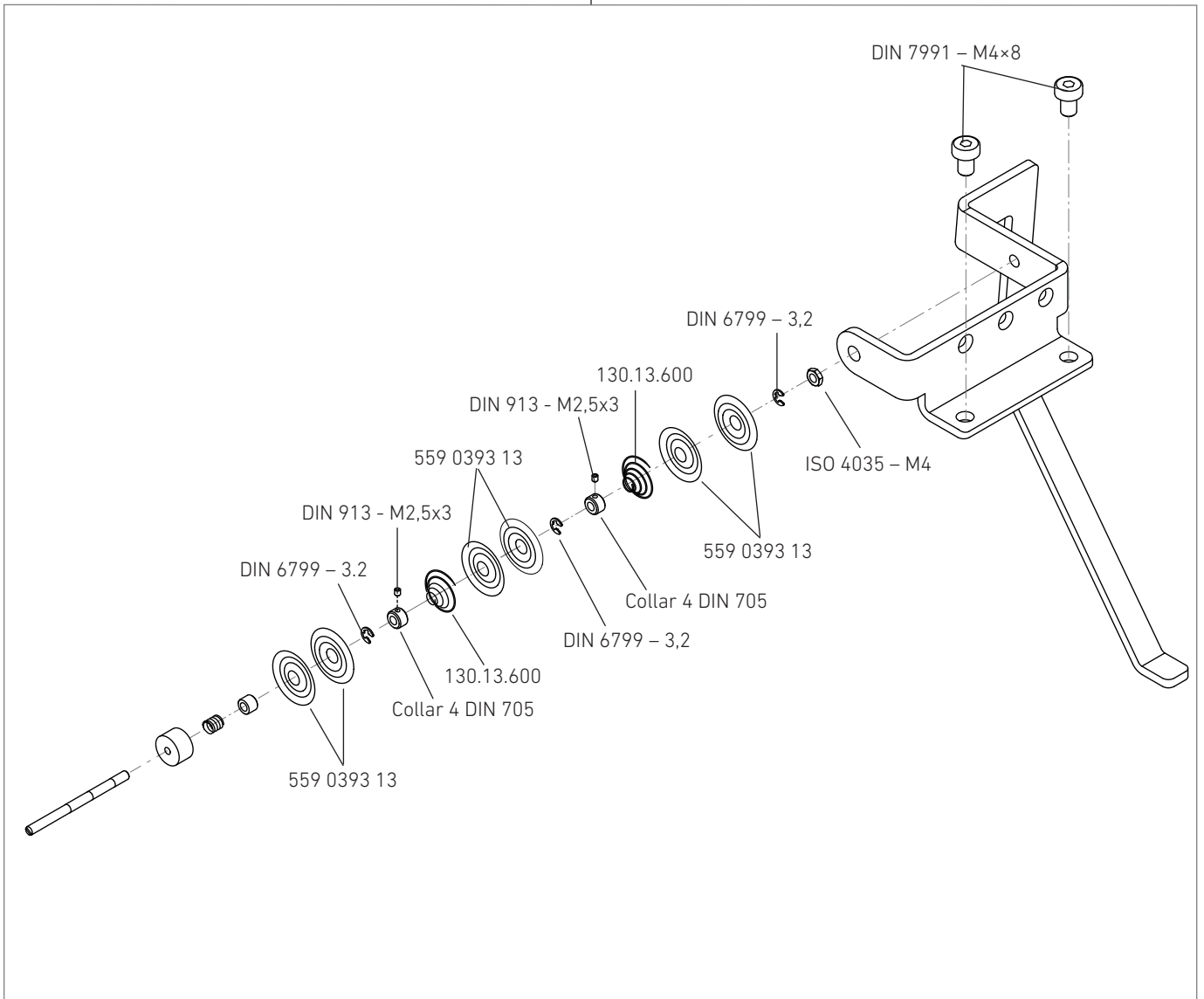


01. HEAD MODULE

05. THREAD GUIDE ASSY

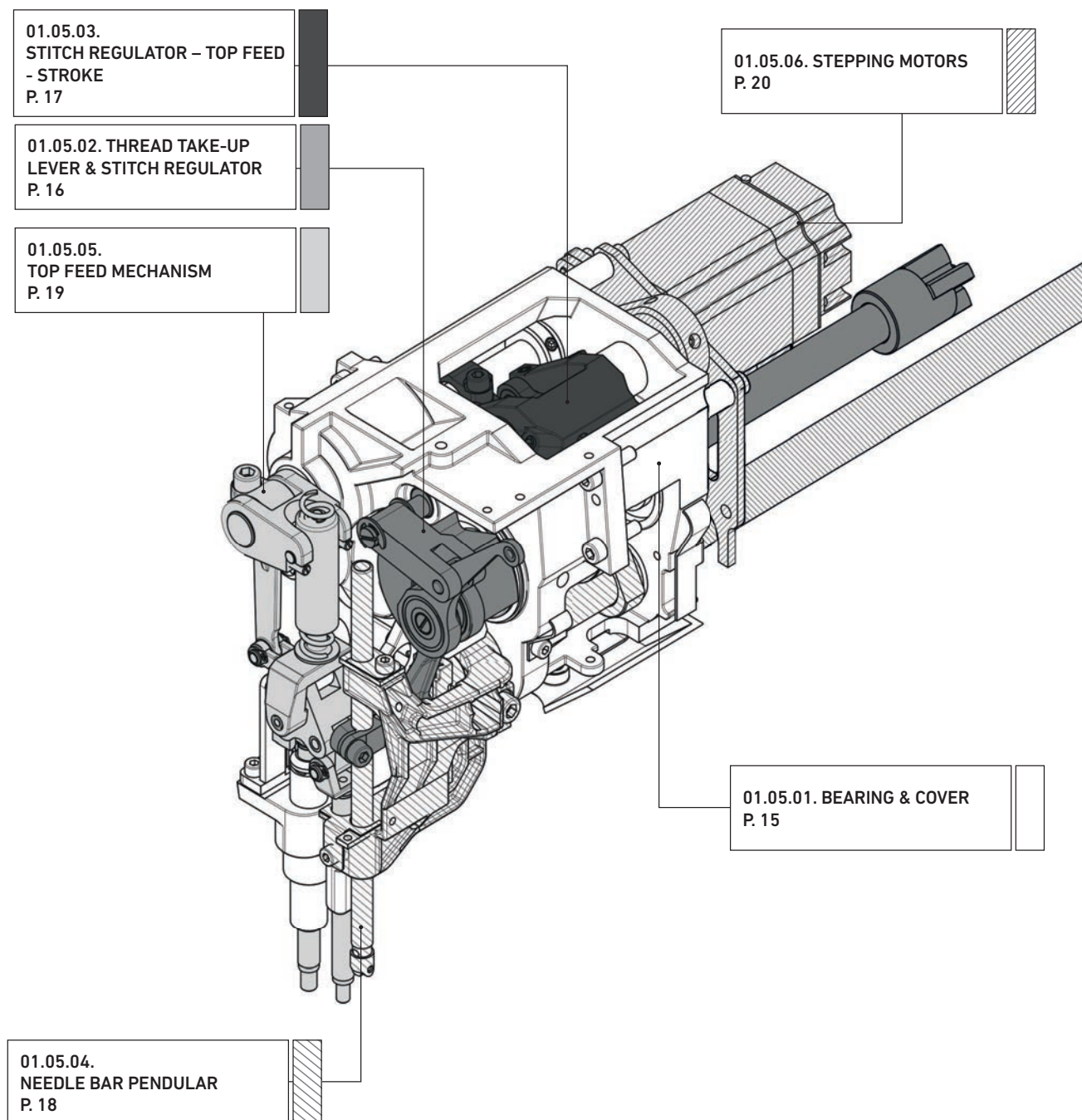


559 0926 09



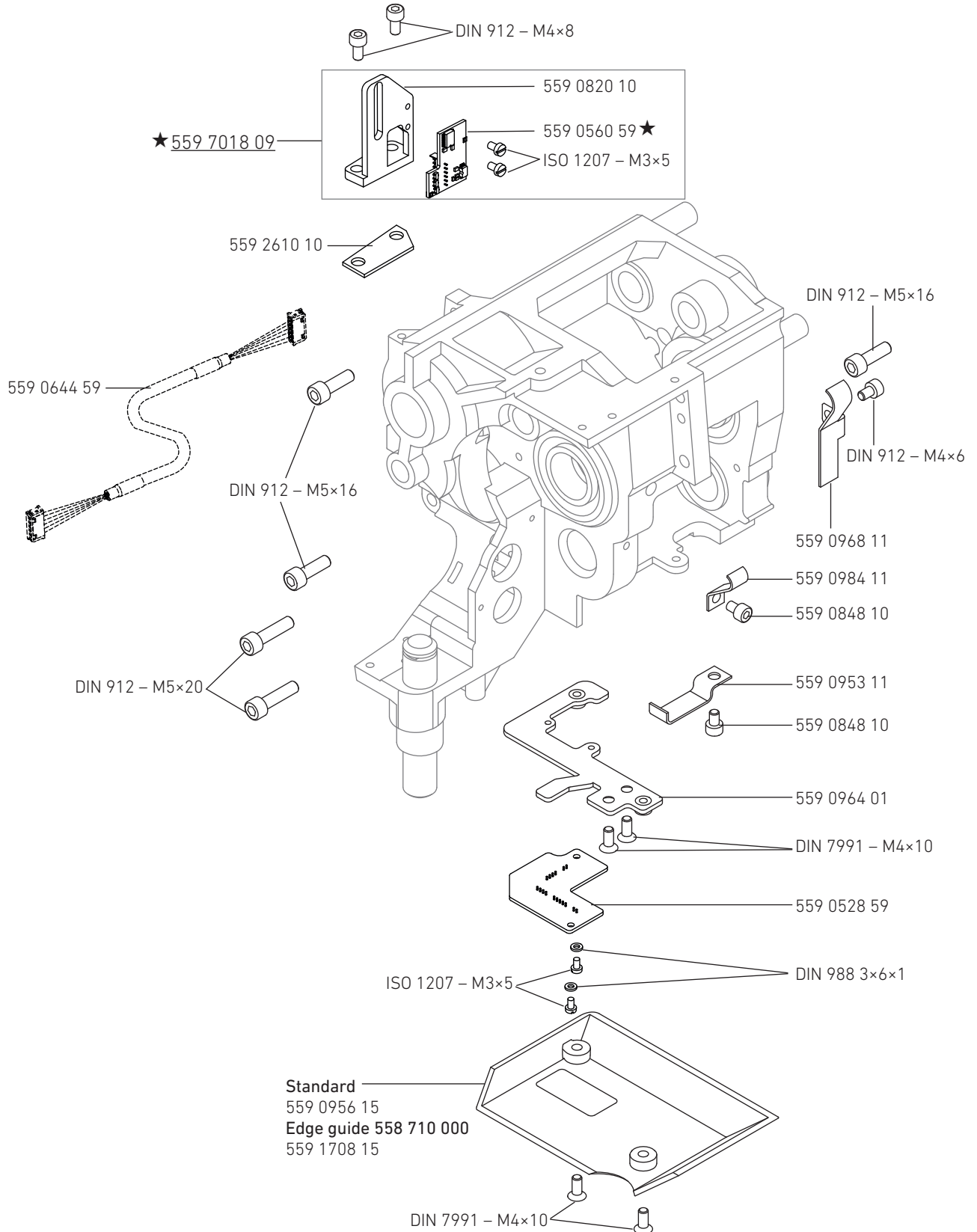
01. HEAD MODULE

07. INNER PARTS – OVERVIEW



01. HEAD MODULE

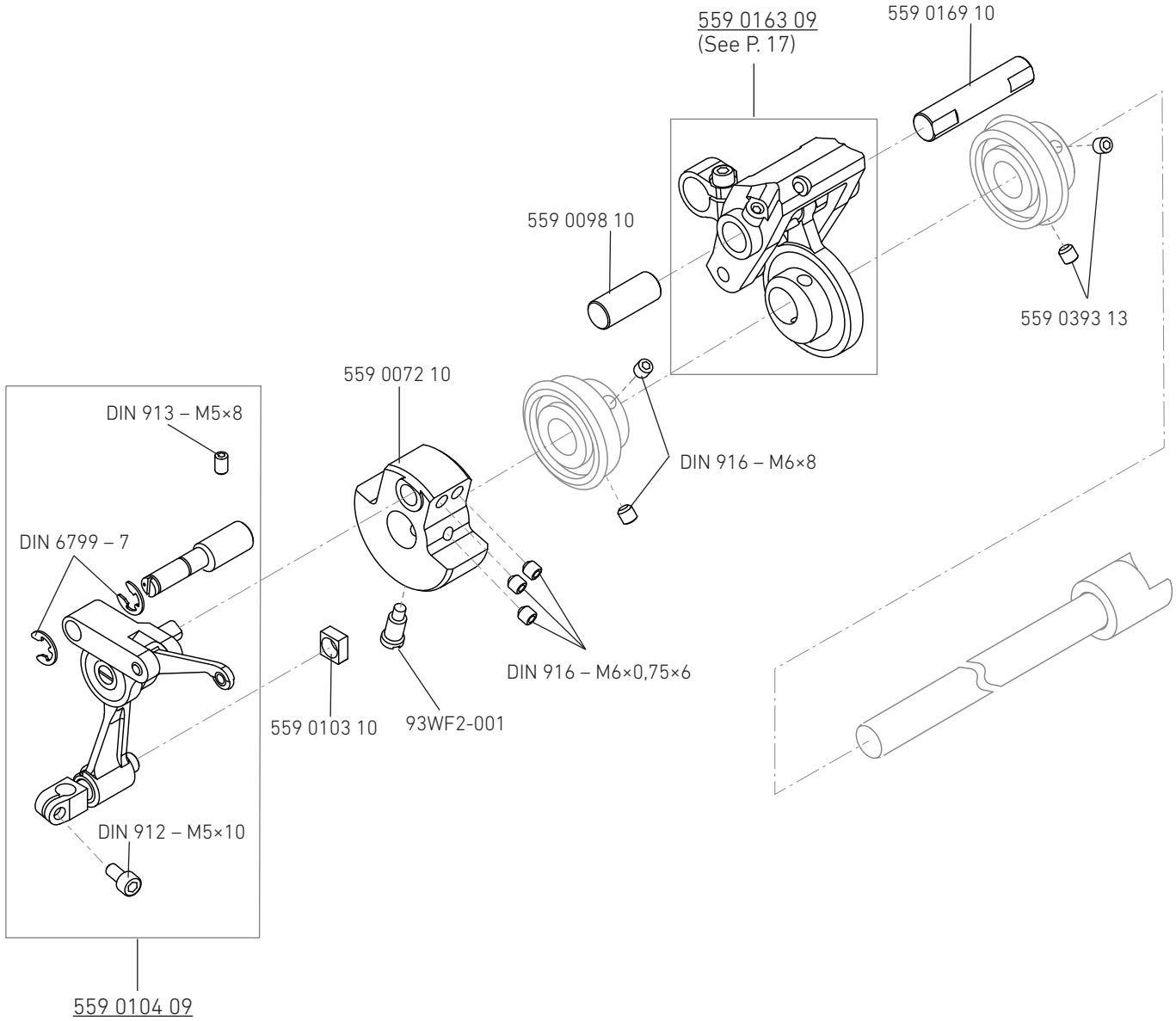
07.01. BEARING & COVER



★ New designed. See 01.08. for previous version

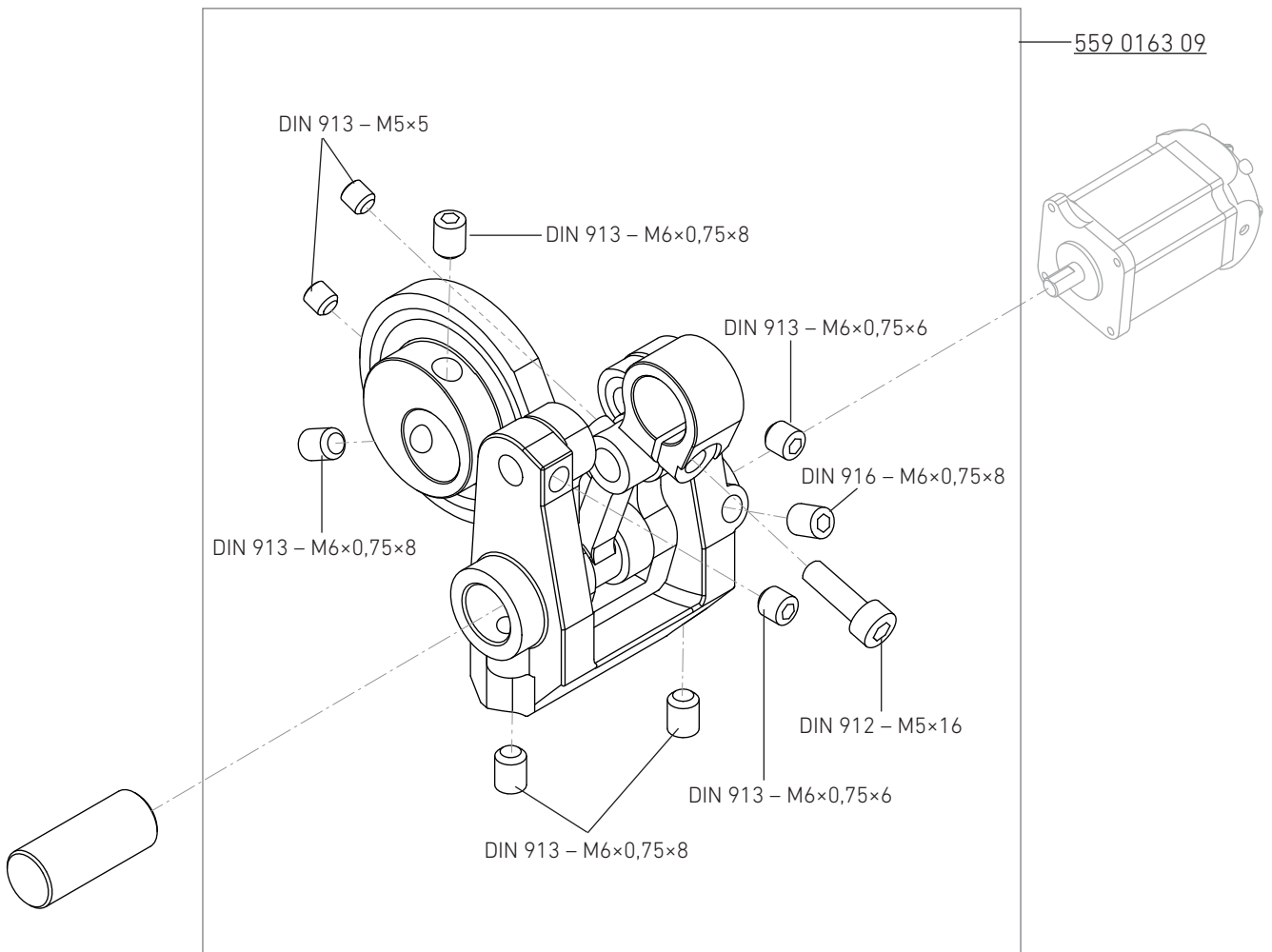
01. HEAD MODULE

07.02. THREAD TAKE-UP LEVER & STITCH REGULATOR



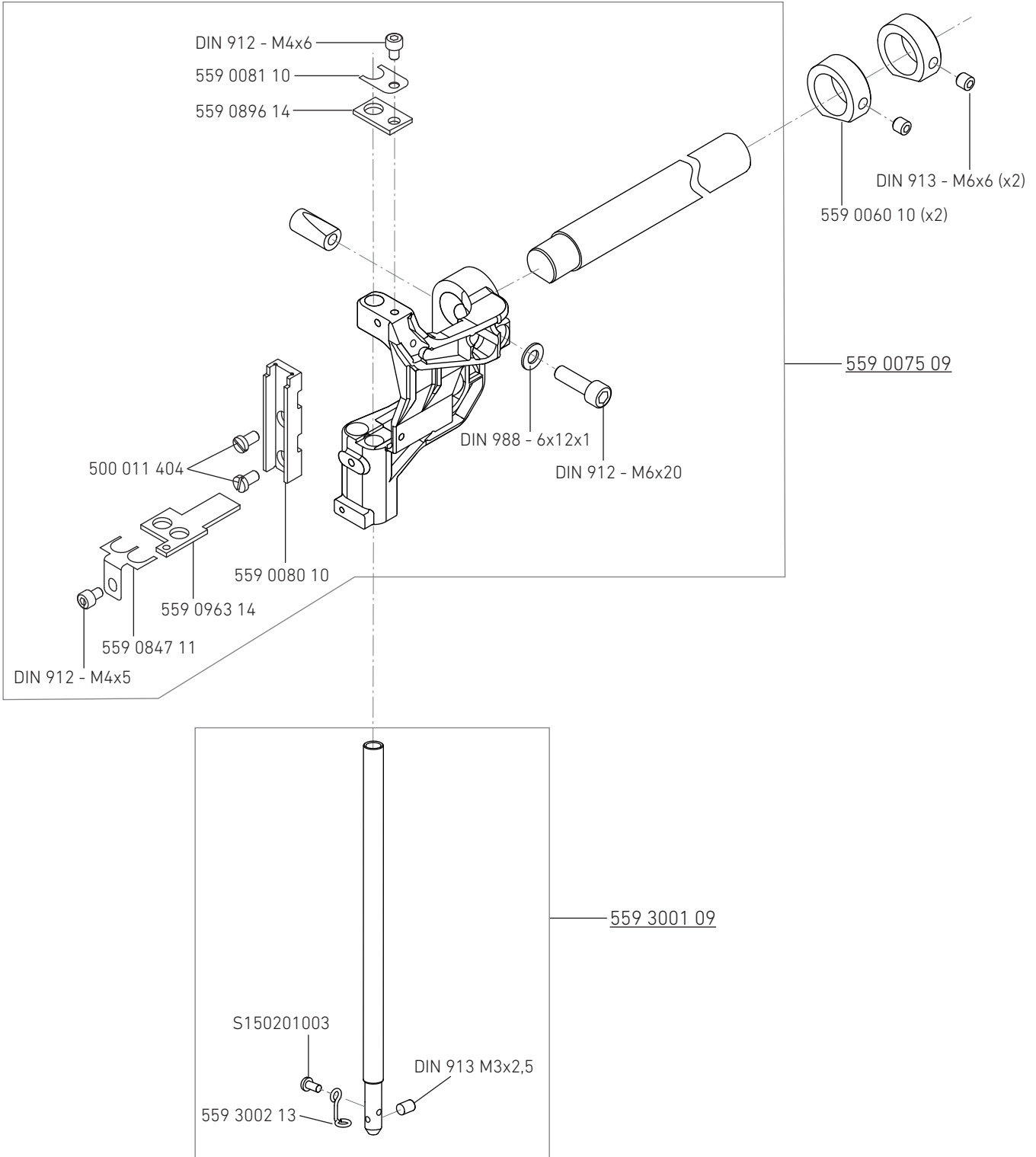
01. HEAD MODULE

07.03. STITCH REGULATOR – TOP FEED - STROKE



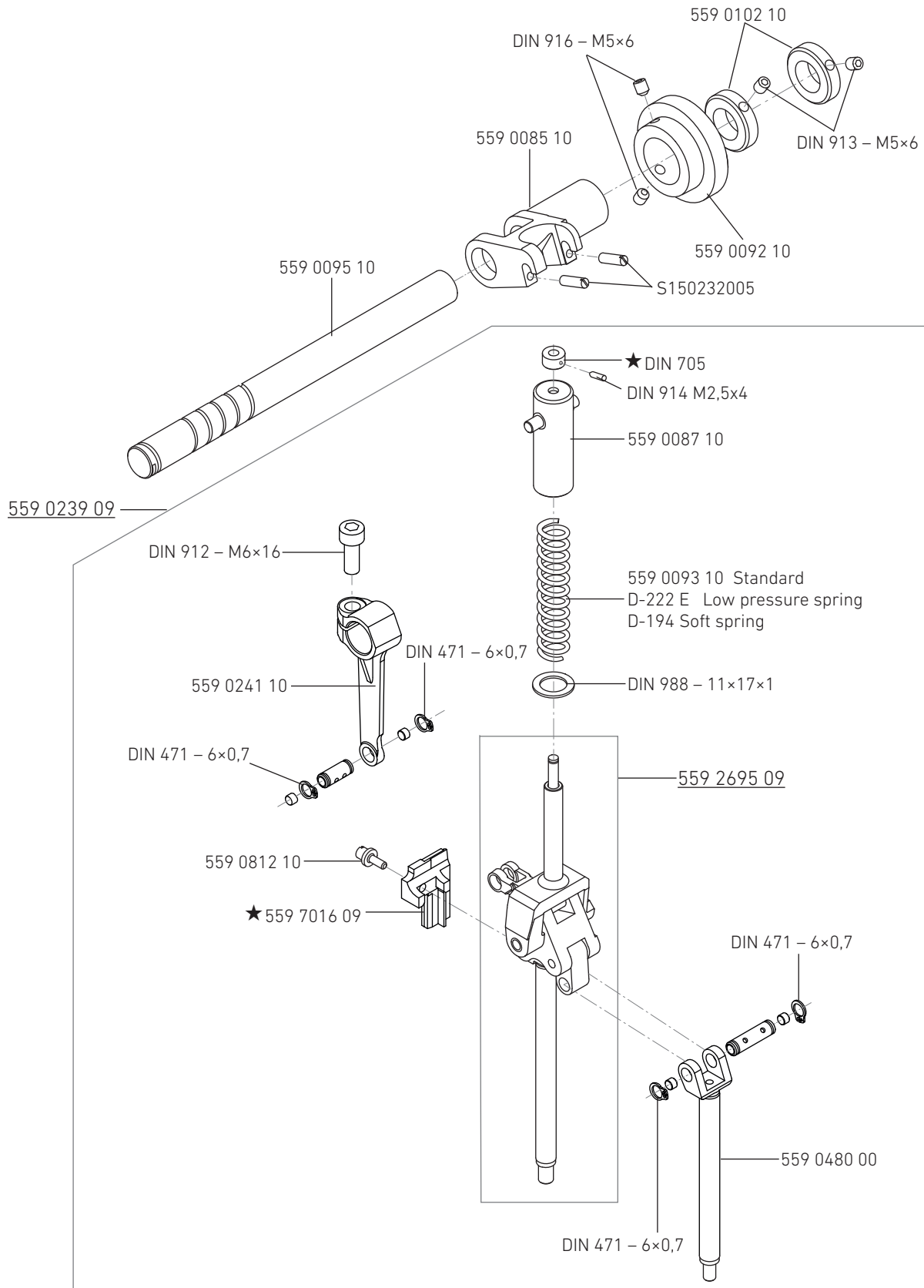
01. HEAD MODULE

07.04. NEEDLE BAR PENDULAR



01. HEAD MODULE

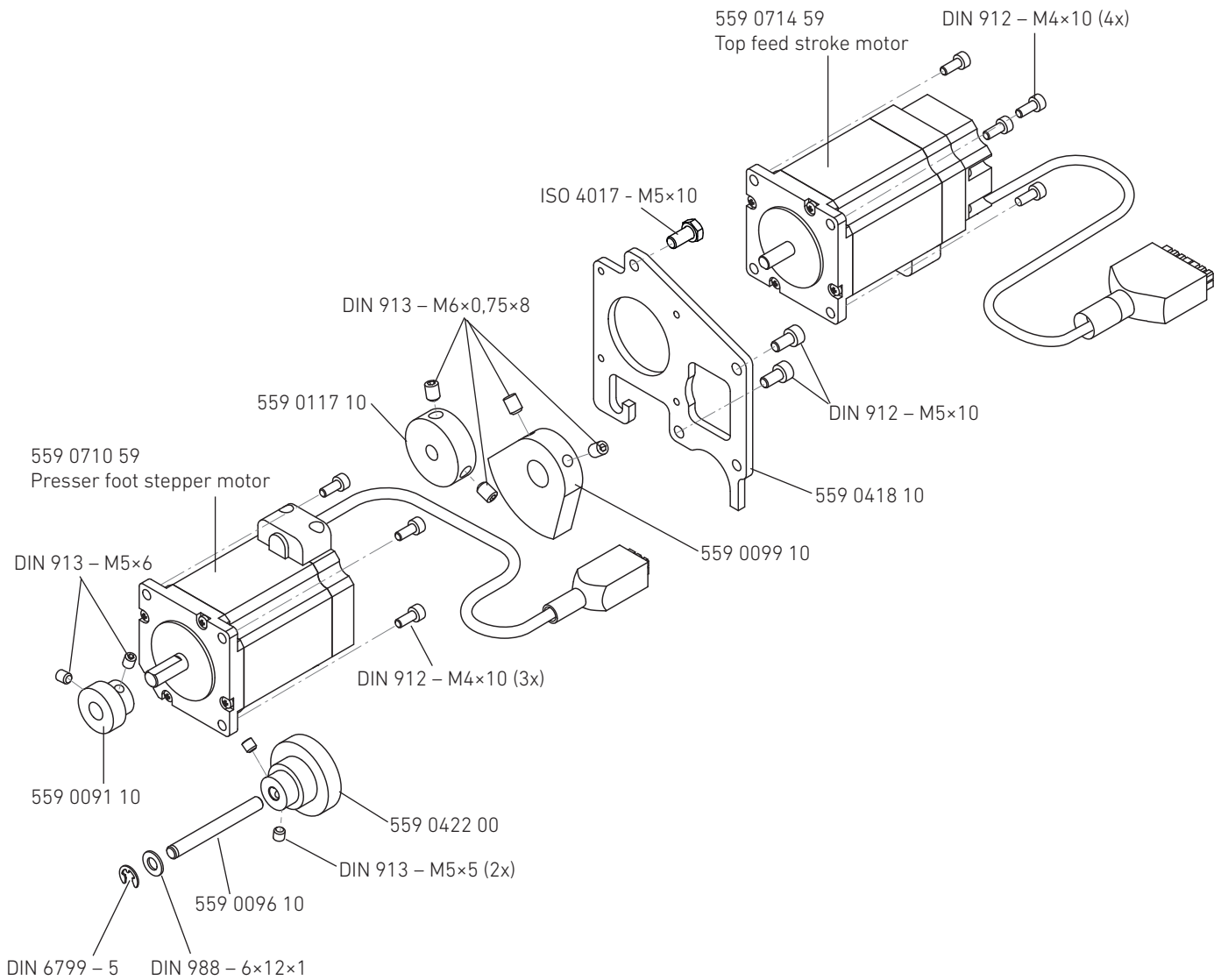
07.05. TOP FEED MECHANISM



★ New designed. See 01.08. for previous version

01. HEAD MODULE

07.06. STEPPING MOTORS



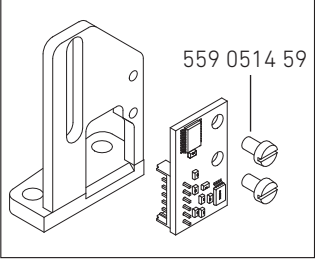
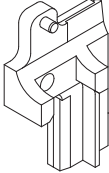

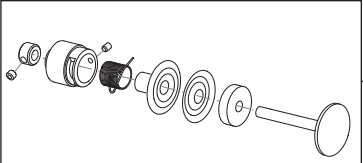
01. HEAD MODULE

08. PREVIOUS VERSIONS



NOTE!

These parts have been replaced by new designed parts. After the parts in stock have been used up, they will no longer be available.

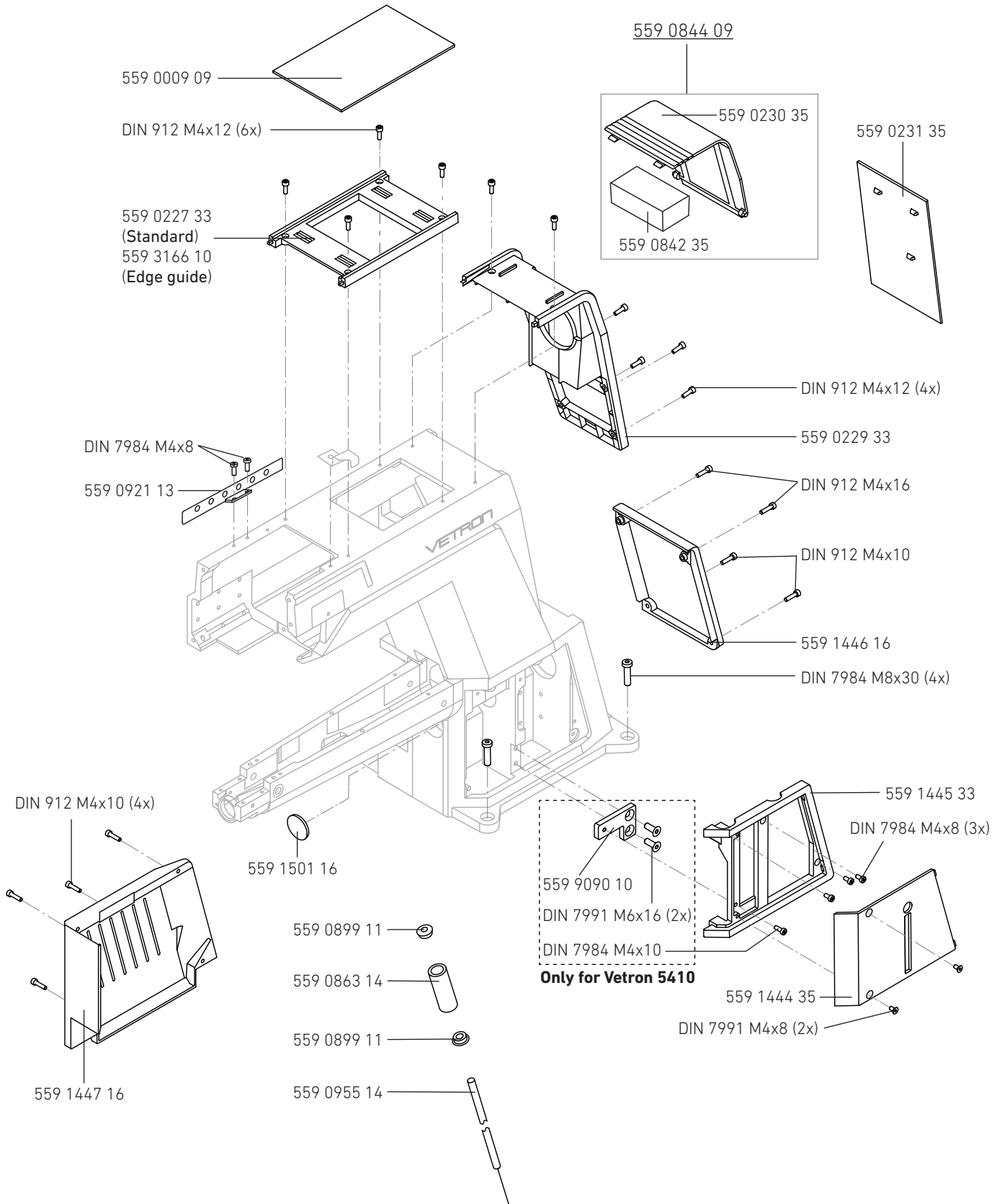
PREVIOUS VERSION		IS REPLACED BY
	<p>If you need to order the PCB or the holder assy, you need to order:</p>	<p>559 7018 09 Foot distance sensor assy</p> <p>559 0560 59 Foot distance sensor PCB assy</p>
	<p>559 7021 09 (contains 559 0560 09 PCB and 559 7016 09 Holder assy)</p>	<p>559 7016 09 Holder assy (is assembled with: 559 0809 10 Holder 559 7017 10 Magnet stripe)</p>
	<p>DIN 6799 - 3,2</p>	<p>DIN 705 (4x8x5) Bushing with screw DIN 914 M2,5x4</p>
	<p>559 0375 09</p>	<p>559 3180 09 1-Needle Thread tension assy</p>

01. HEAD MODULE

24	01. COVERS	<hr/>
25	02. PLATES & FEED CRANK ASSY	<hr/>
26	03. MAIN DRIVE OVERVIEW	<hr/>
27	03.01. MAIN DRIVE	<hr/>
28	03.02. STITCH LENGTH REGULATOR	<hr/>
29	03.03. CRANK ASSY	<hr/>
30	03.04. STITCH REGULATOR – TOP FEED - STROKE	<hr/>
31	03.05. HOOK DRIVE	<hr/>
32	03.06. THREAD CUTTING DRIVE ONLY FOR HOOK 26mm	<hr/>
33	03.07. HOOK	<hr/>
34	04. PREVIOUS VERSIONS	<hr/>

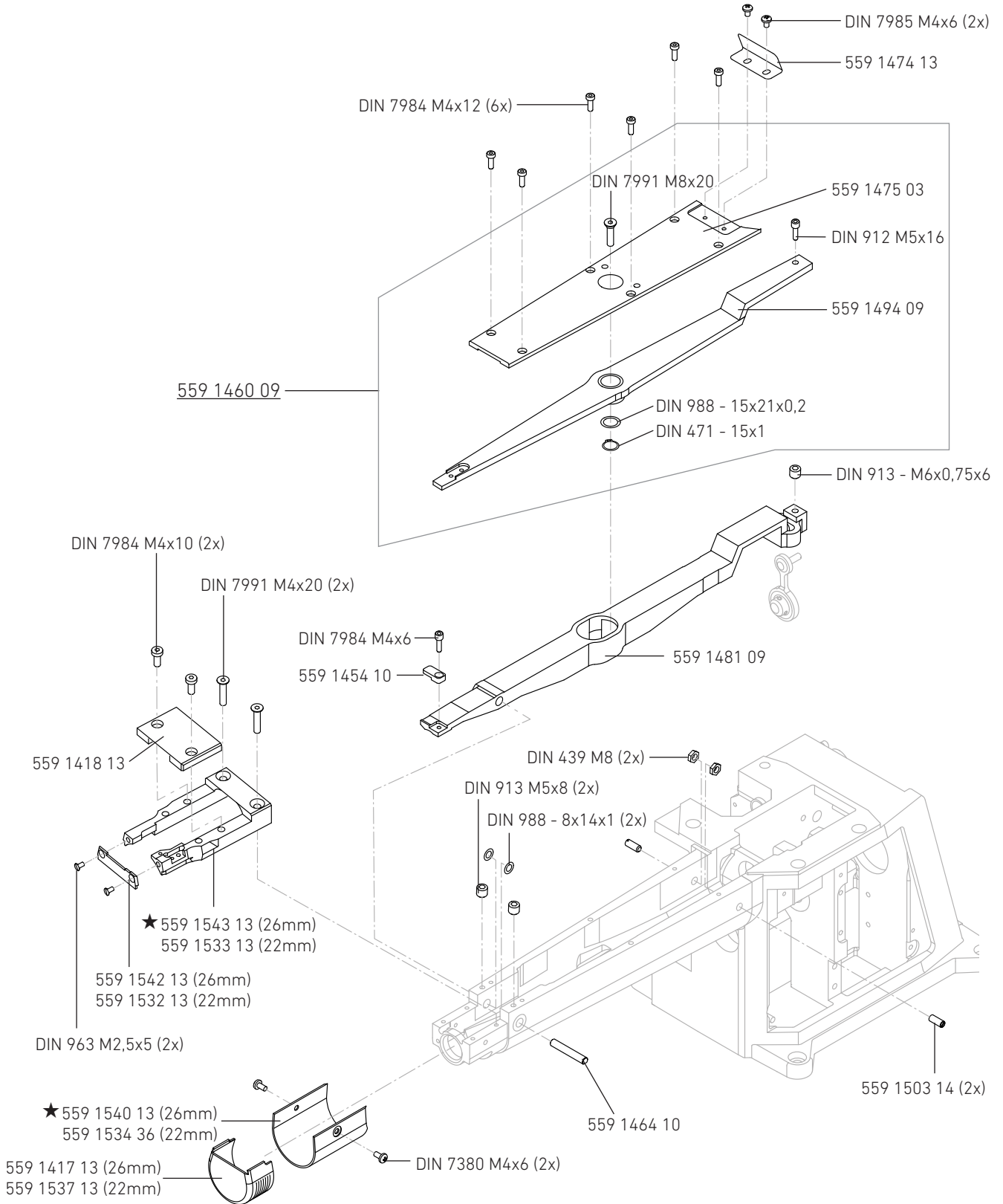
02. FRAME MODULE

01. COVERS



02. FRAME MODULE

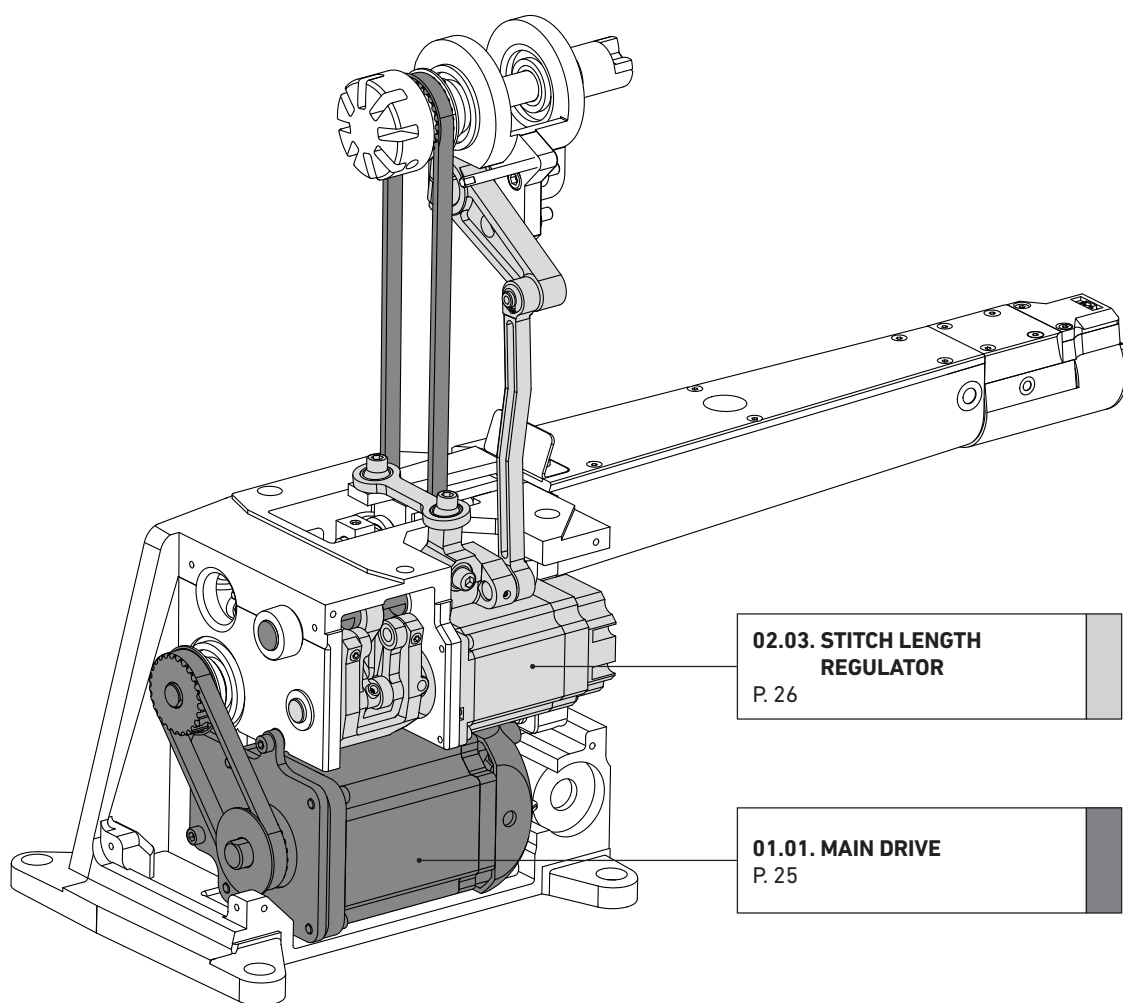
02. PLATES & FEED CRANK ASSY



★New designed. See 02.04. for previous version

02. FRAME MODULE

03. MAIN DRIVE OVERVIEW

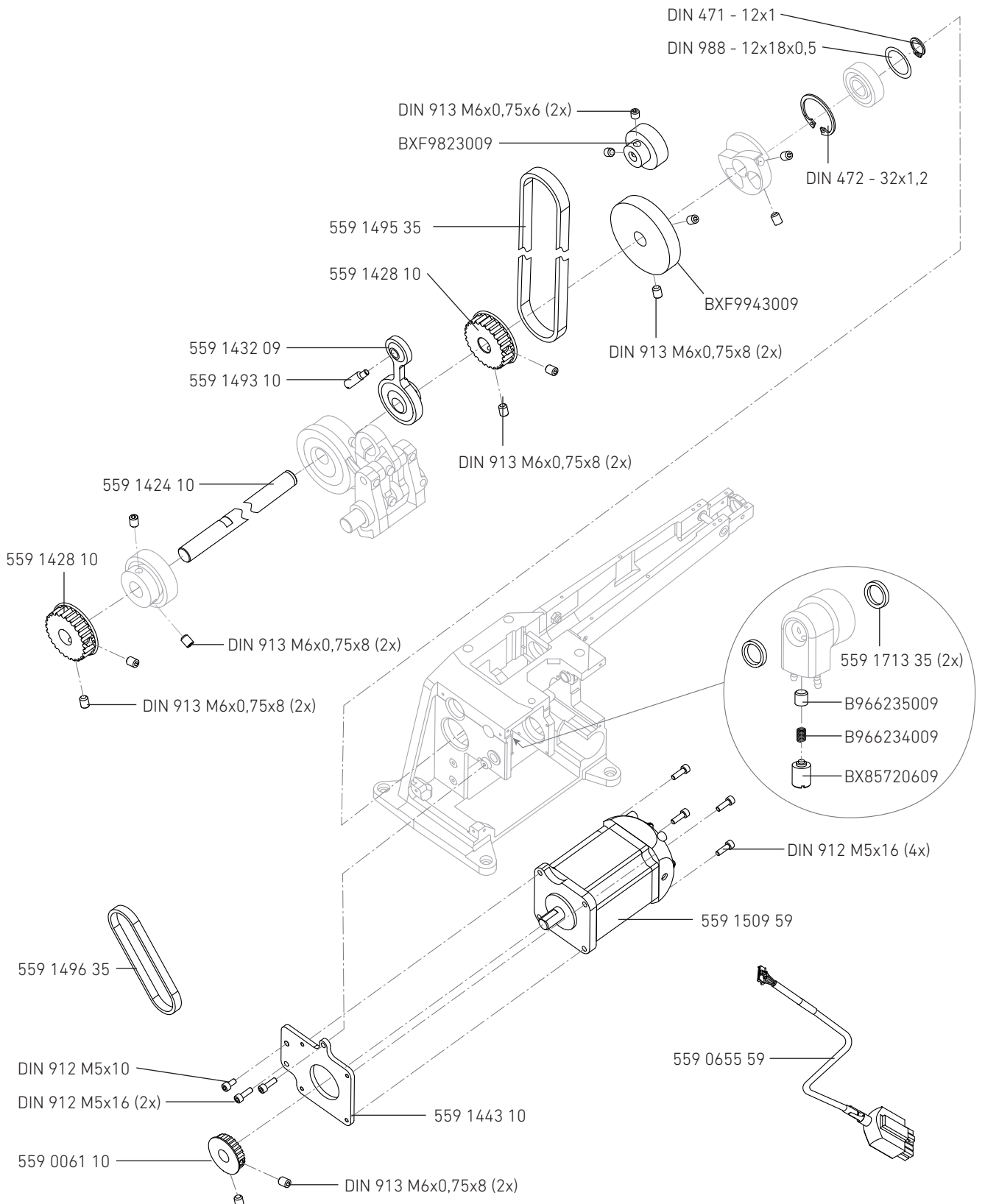


**02.03. STITCH LENGTH
REGULATOR**
P. 26

01.01. MAIN DRIVE
P. 25

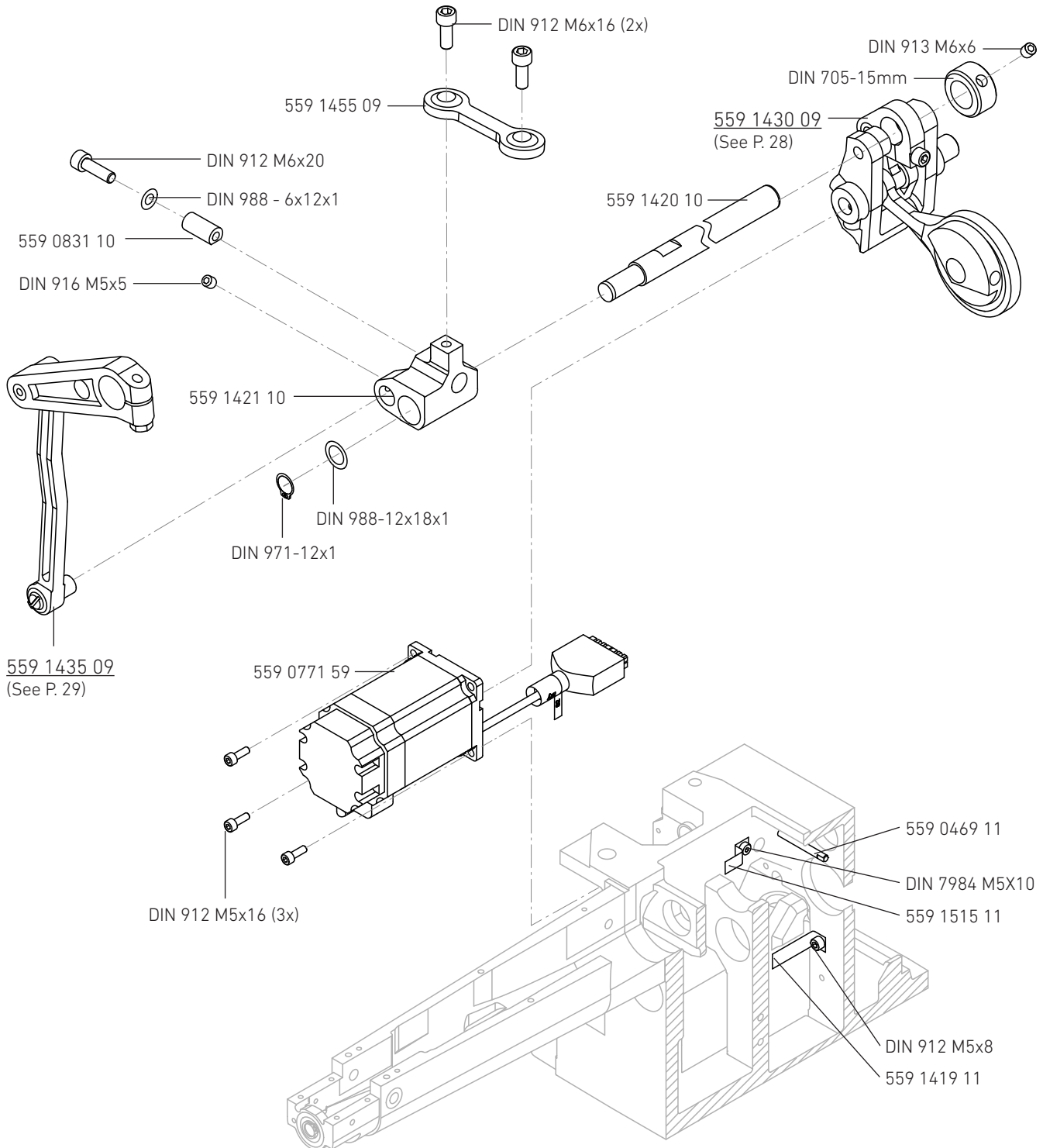
02. FRAME MODULE

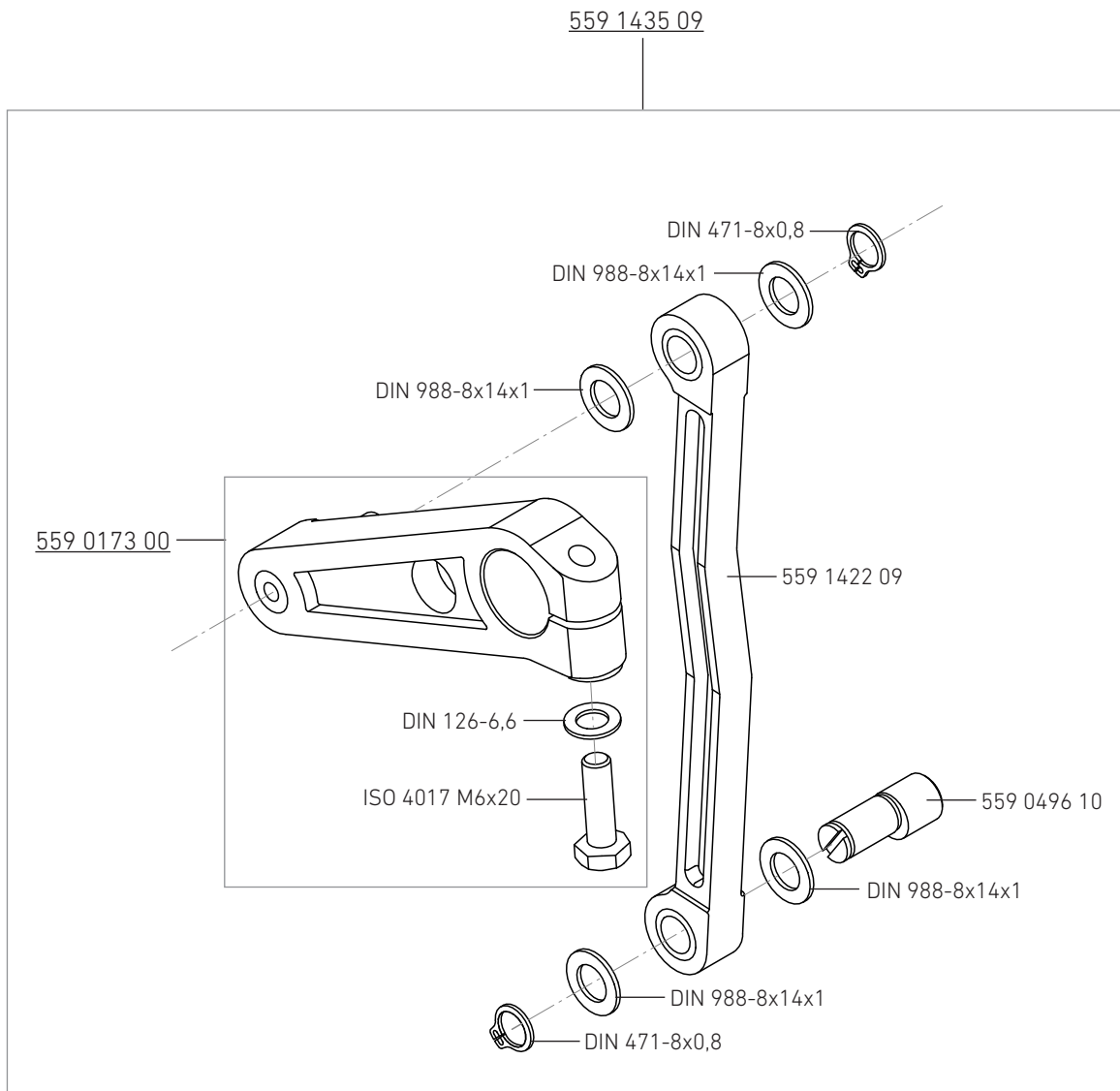
03.01. MAIN DRIVE



02. FRAME MODULE

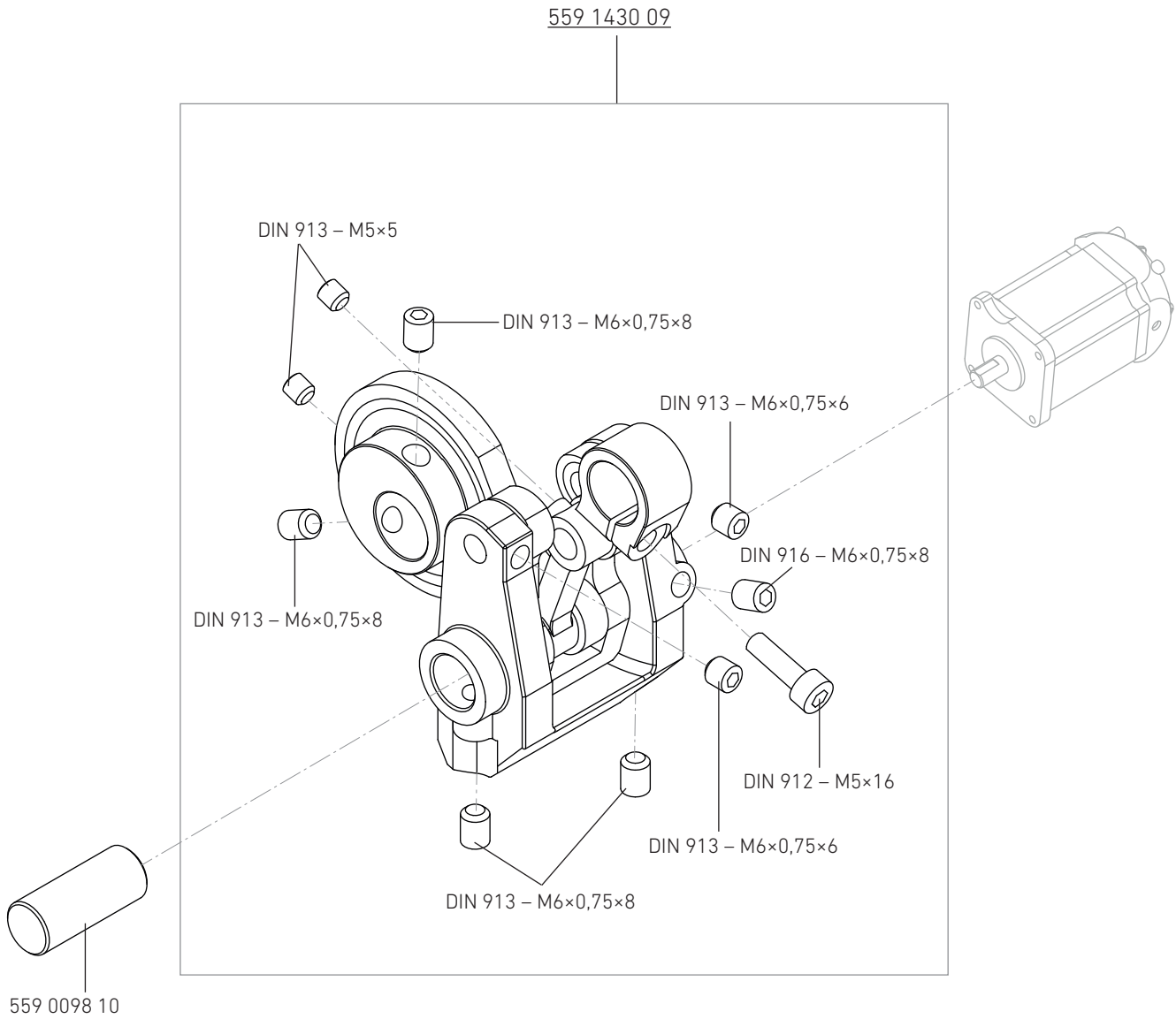
03.02. STITCH LENGTH REGULATOR





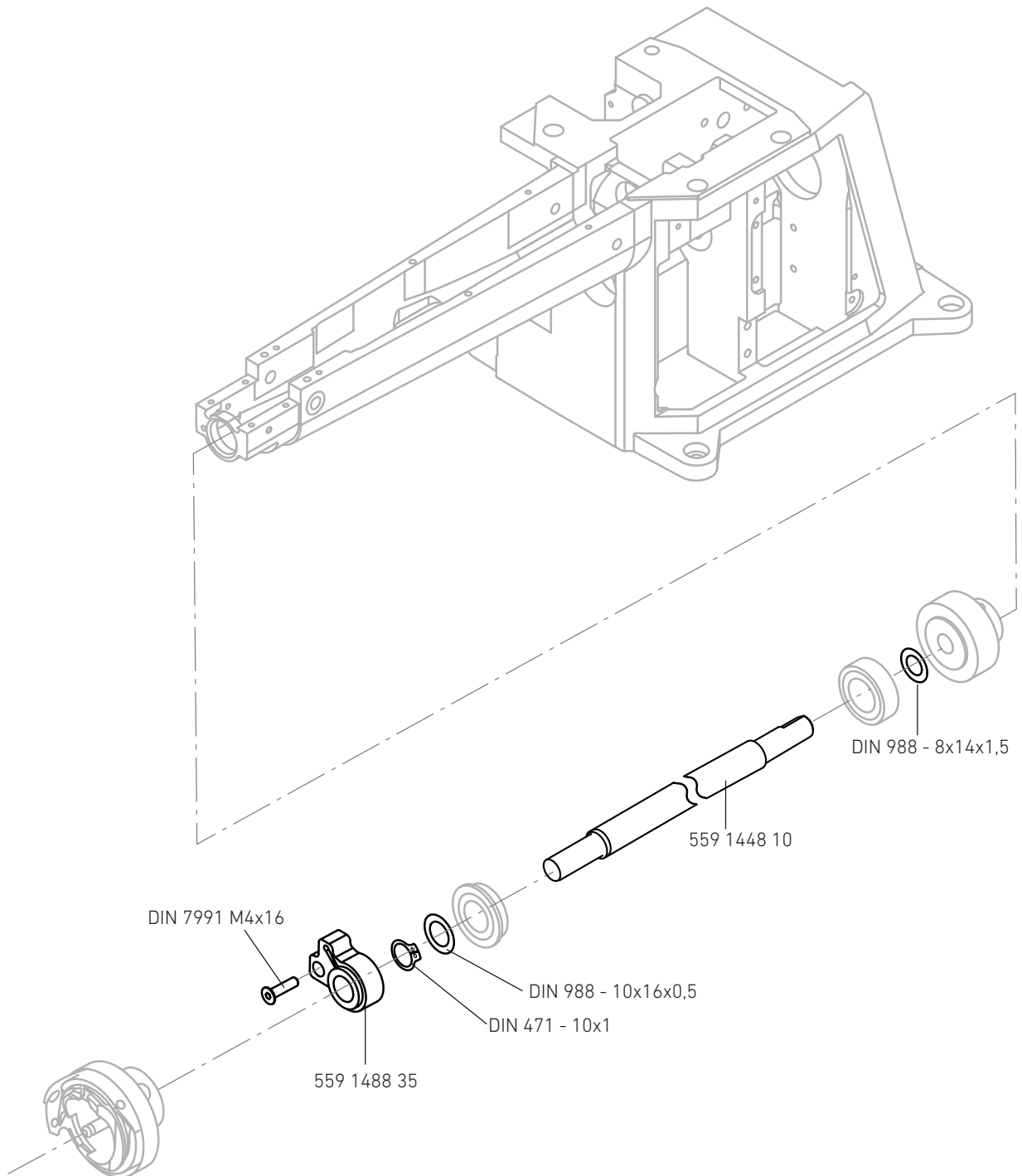
02. FRAME MODULE

03.04. STITCH REGULATOR – TOP FEED - STROKE



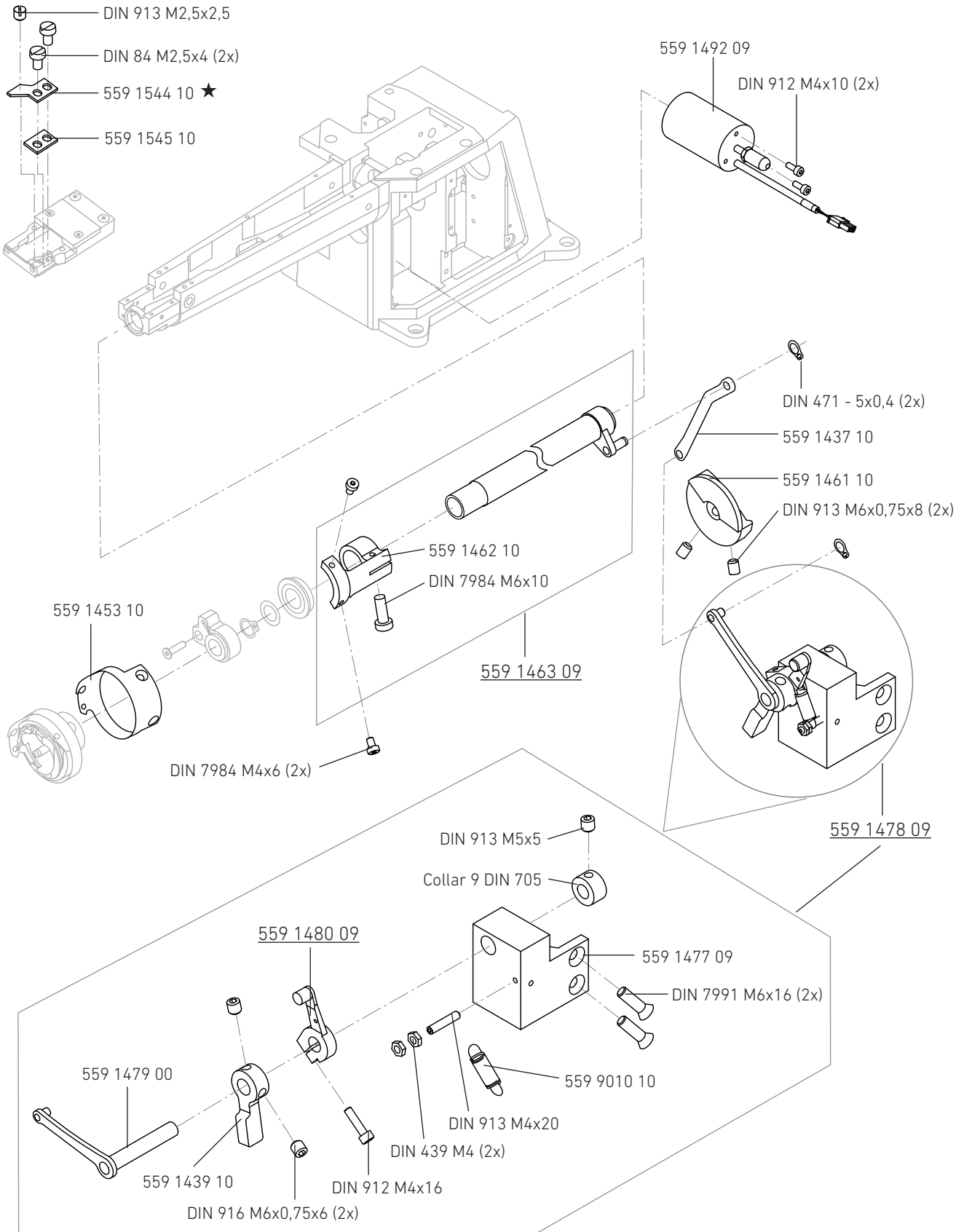
02. FRAME MODULE

03.05. HOOK DRIVE



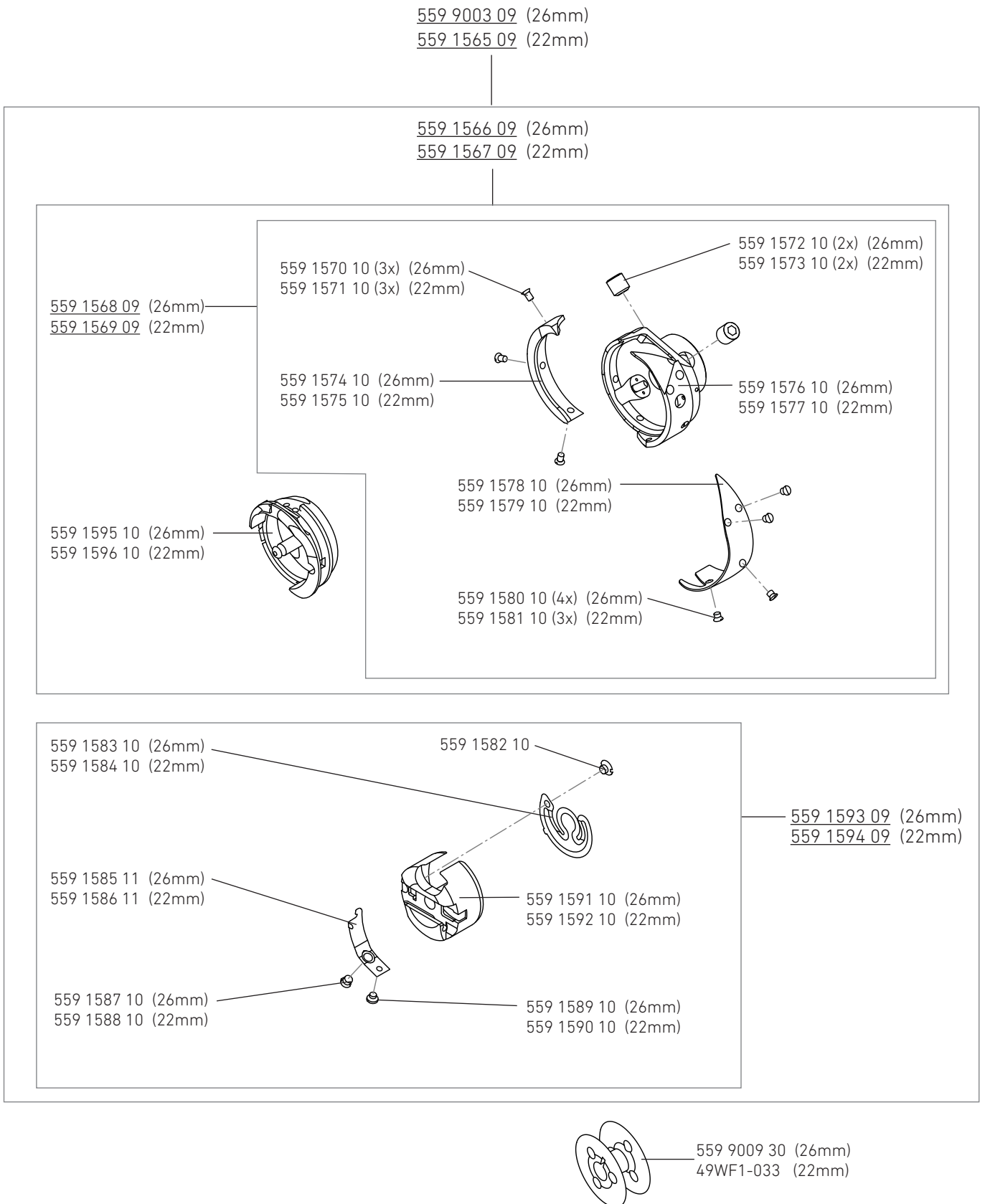
02. FRAME MODULE

03.06. THREAD CUTTING DRIVE ONLY FOR HOOK 26mm



02. FRAME MODULE

03.07. HOOK



02. FRAME MODULE

04. PREVIOUS VERSIONS



NOTE!

These parts have been replaced by new designed parts. After the parts in stock have been used up, they will no longer be available.

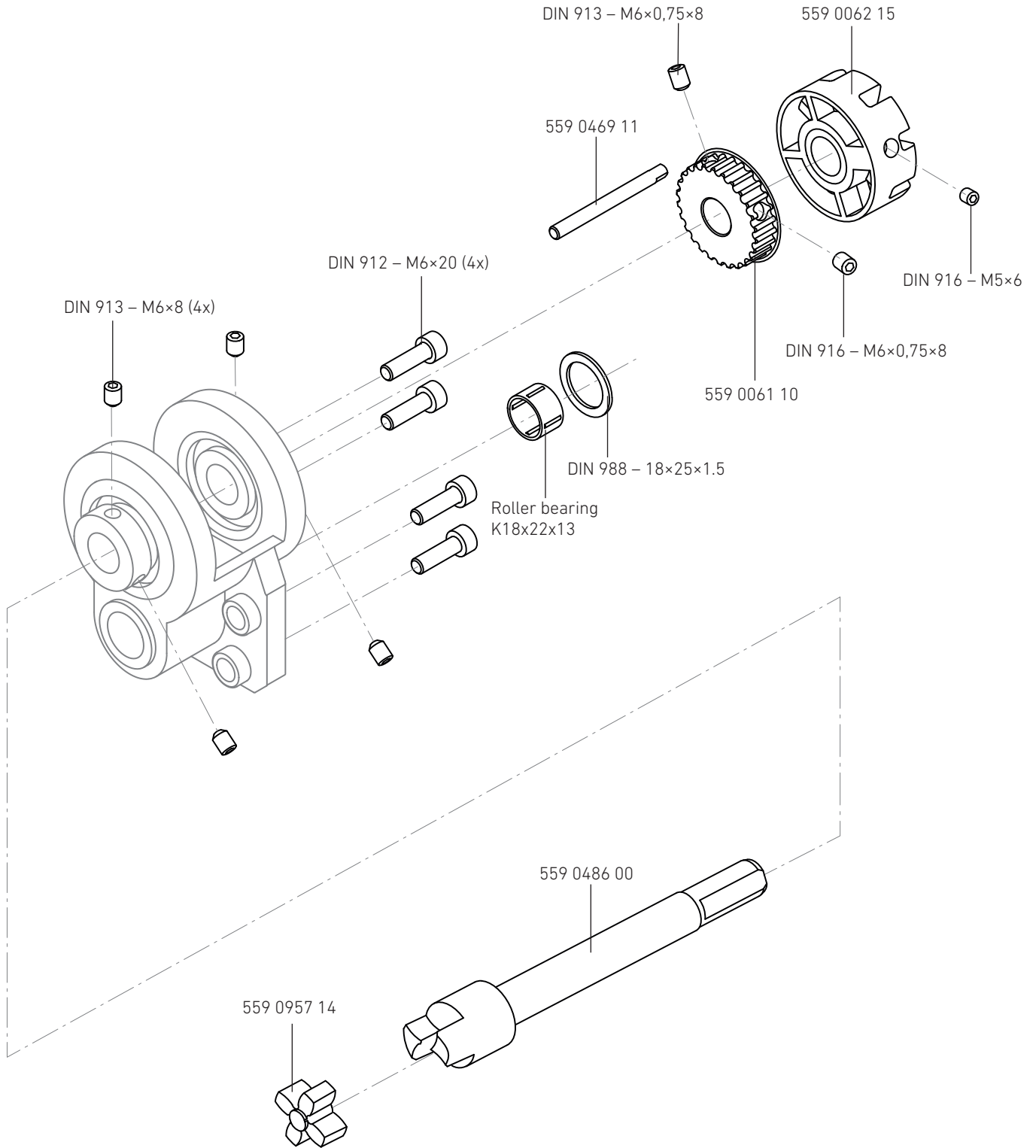
PREVIOUS VERSION	IS REPLACED BY
<p>559 1426 10</p> <p>559 1427 13</p>	<p>559 1544 10 Knife</p> <p>559 1543 13 (26mm) Needle Plate Holder</p>
<p>559 1508 13</p>	<p>559 1540 13 (26mm) Cover</p>

03. HANDWHEEL MODULE

557 410 000

36 **01. HANDWHEEL MODULE**

03. HANDWHEEL MODULE



04. LUBRICATION

38 **01.** HEAD & HOOK

39 **02.** OIL TANK

04. LUBRICATION

01. HEAD & HOOK

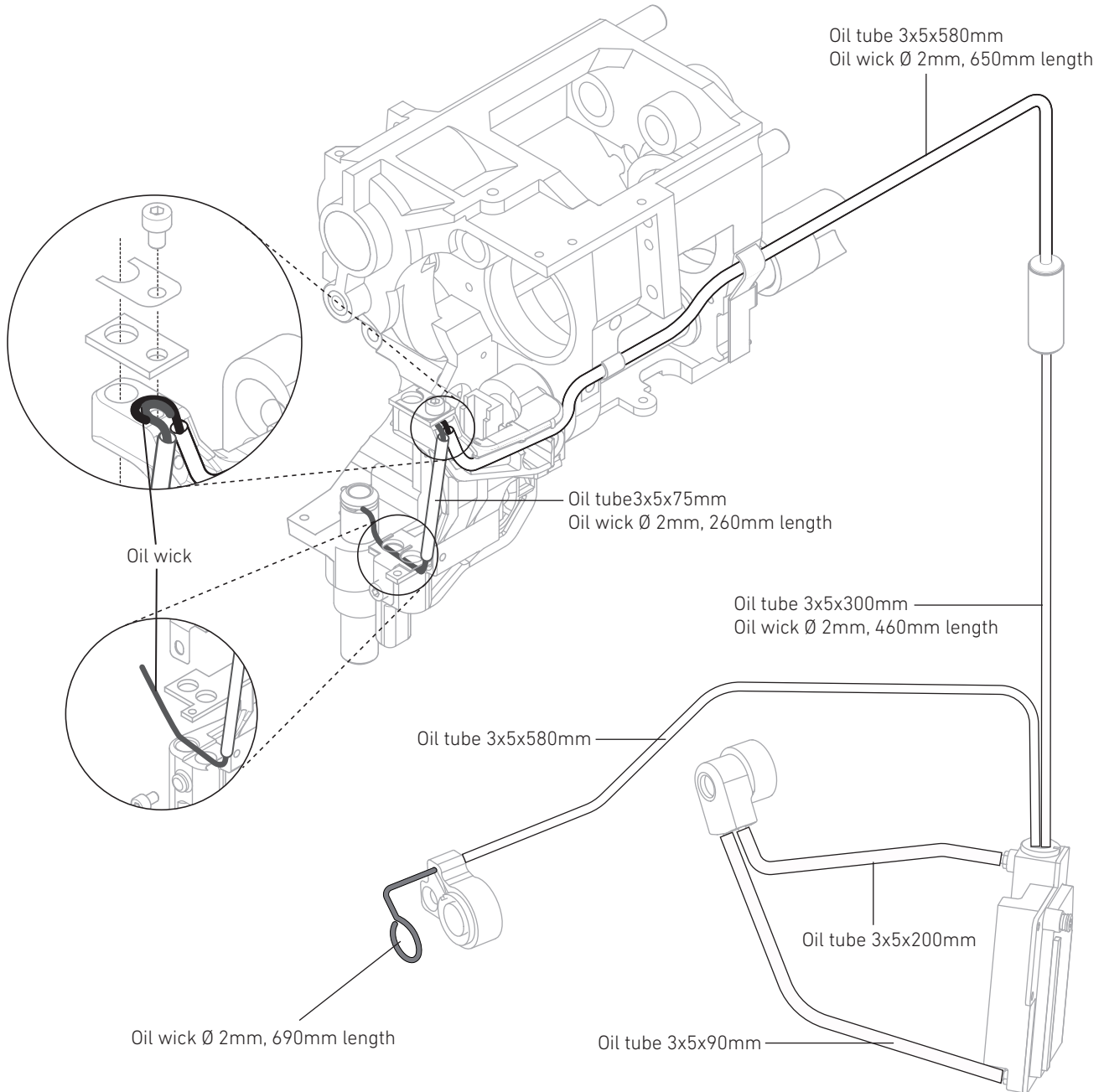


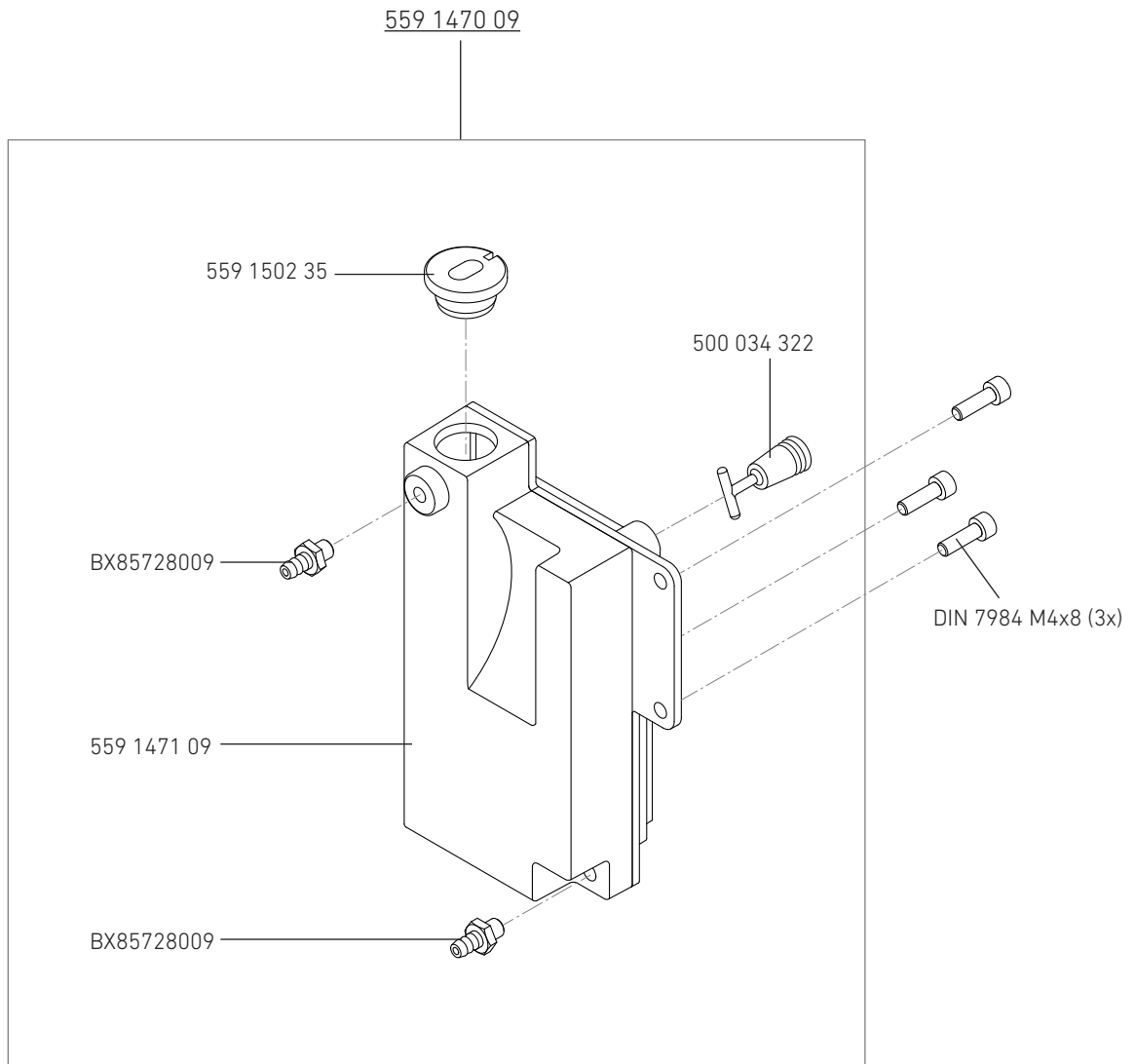
NOTE!

Oil tubes and oil wick can only be **ordered by the meter!**

Oil tube 3x5 : 559 3107 34

Oil wick : Ø 2mm 559 3109 34





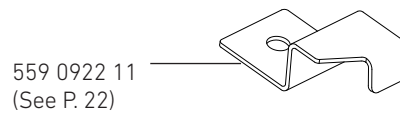
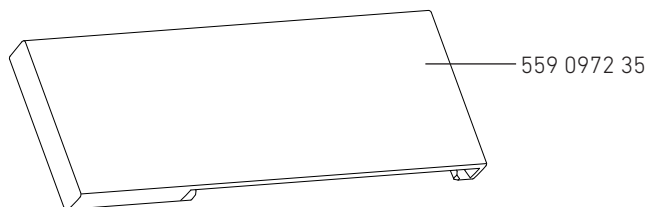
04. LUBRICATION

05. ELECTRONIC PARTS SEWING

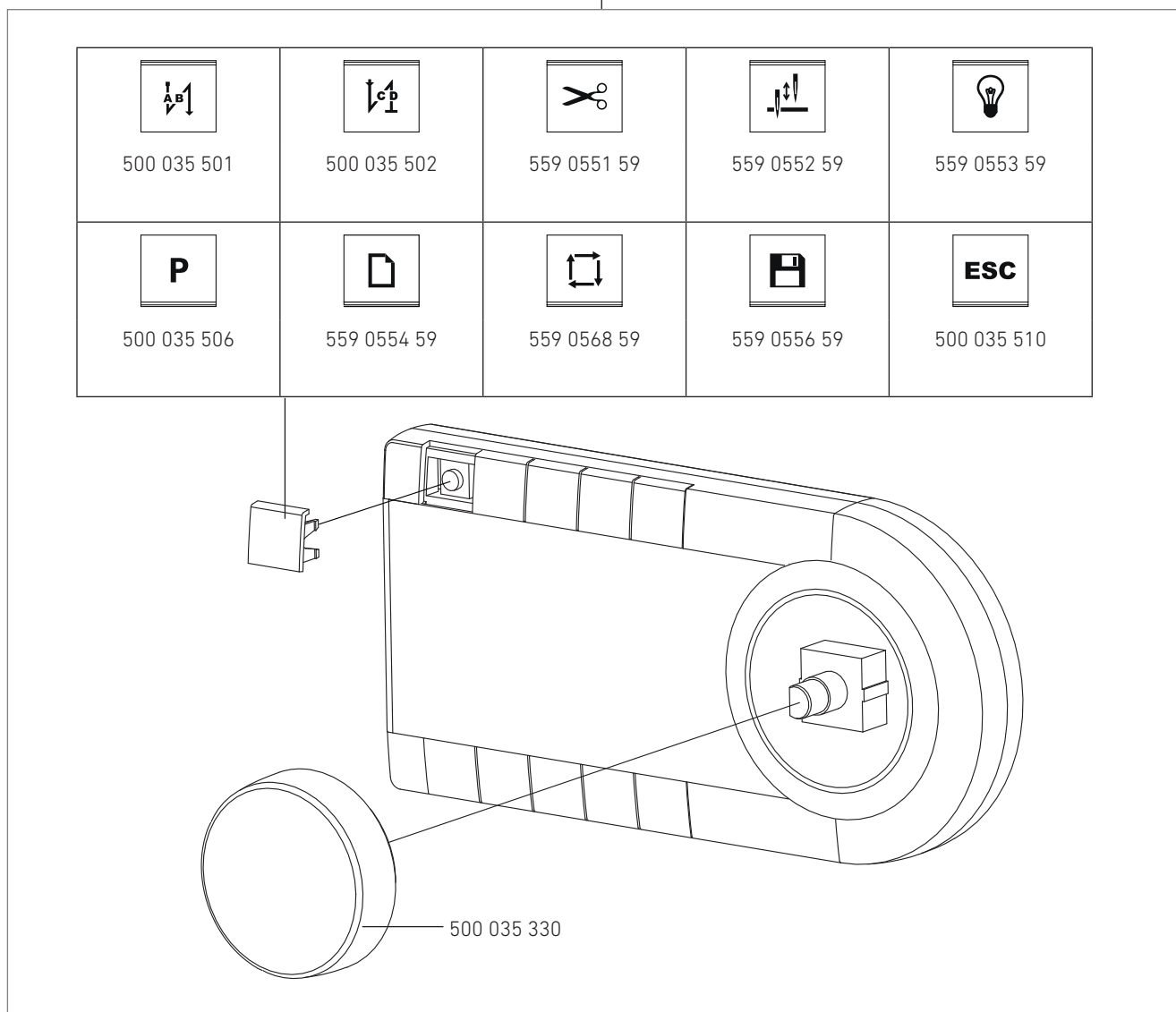
42	01. PANEL
41	02. CONTROL BOX & SETPOINT DEVICE
42	03. BACK COVER CONTROL BOX
43	04. CABLING HEAD PCB
44	05. CABLING

05. ELECTRONIC PARTS SEWING

01. PANEL



559 0641 59



05. ELECTRONIC PARTS SEWING

02. CONTROL BOX & SETPOINT DEVICE

(P. 42, Pos. )

559 0612 59

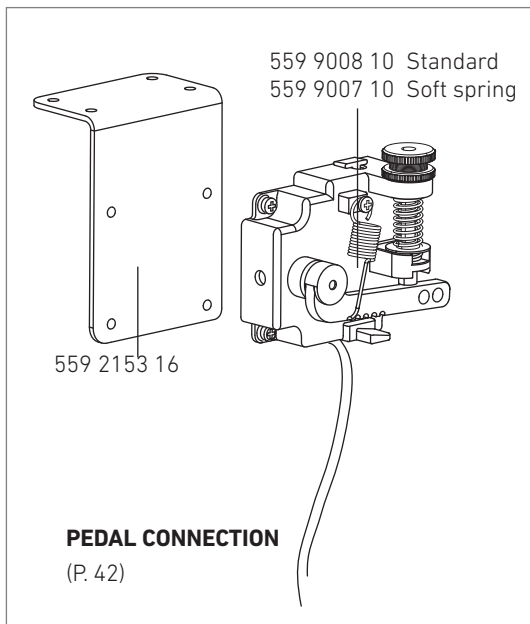
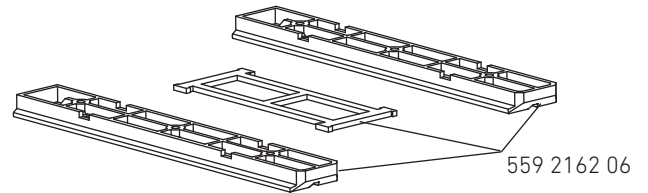
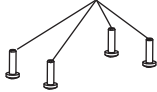
DIN 912 – M6×16

Washer DIN 125 – A6,4

Washer ART 55 M6

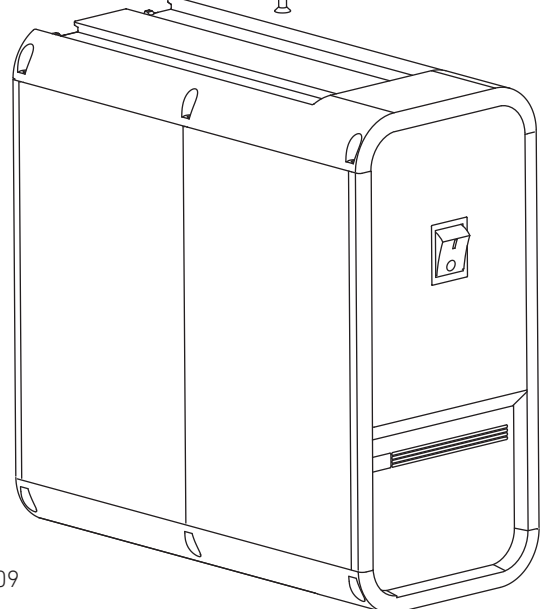
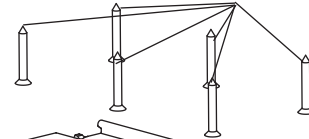
559 0629 59

DIN 7049 – ST 3.5×13-C-H-N

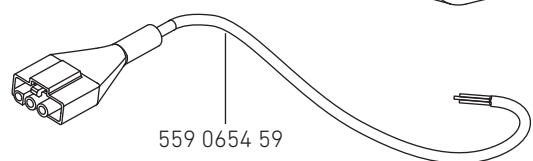


559 2155 09

DIN 7983 – ST4,2×32



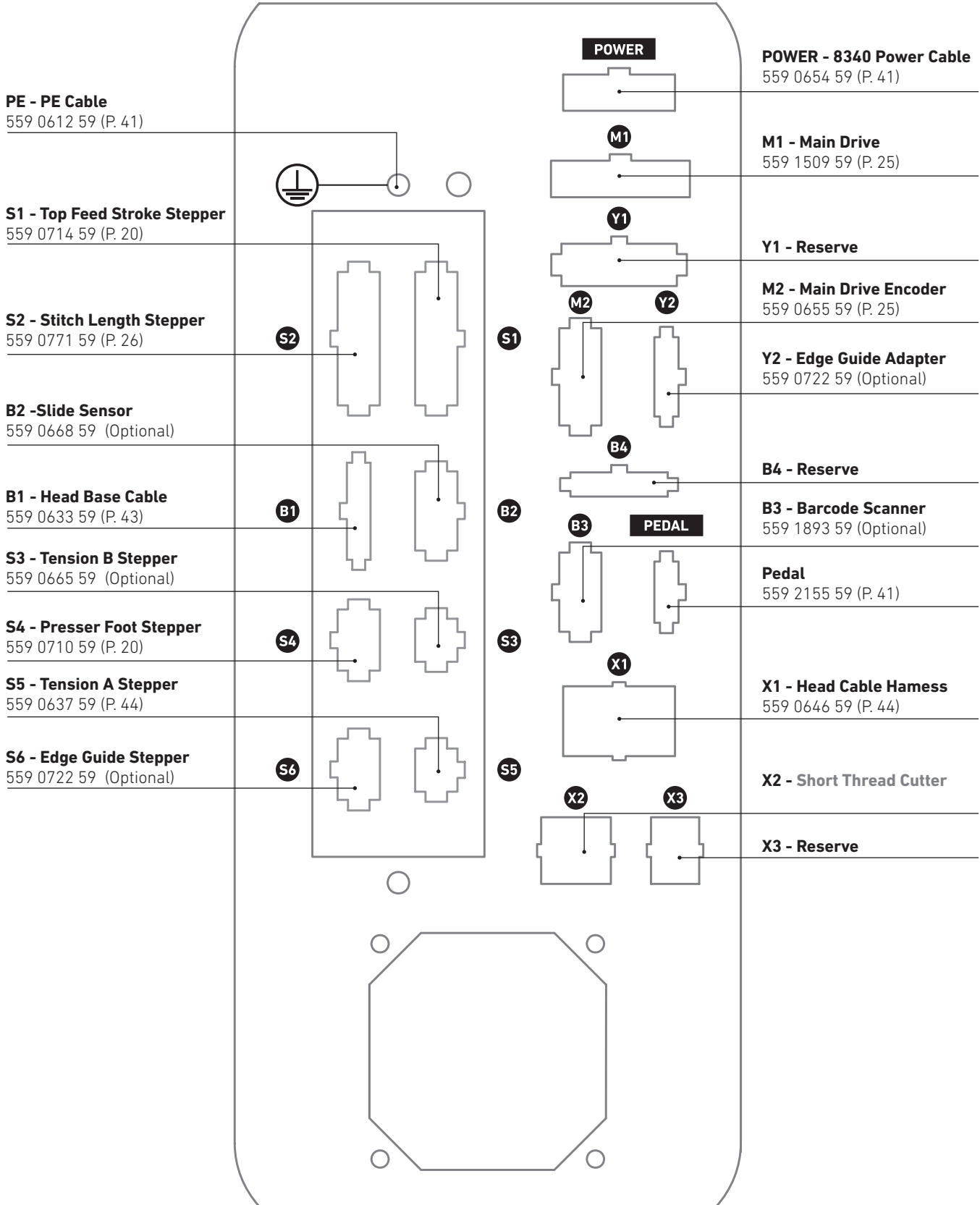
559 2161 09



559 0654 59

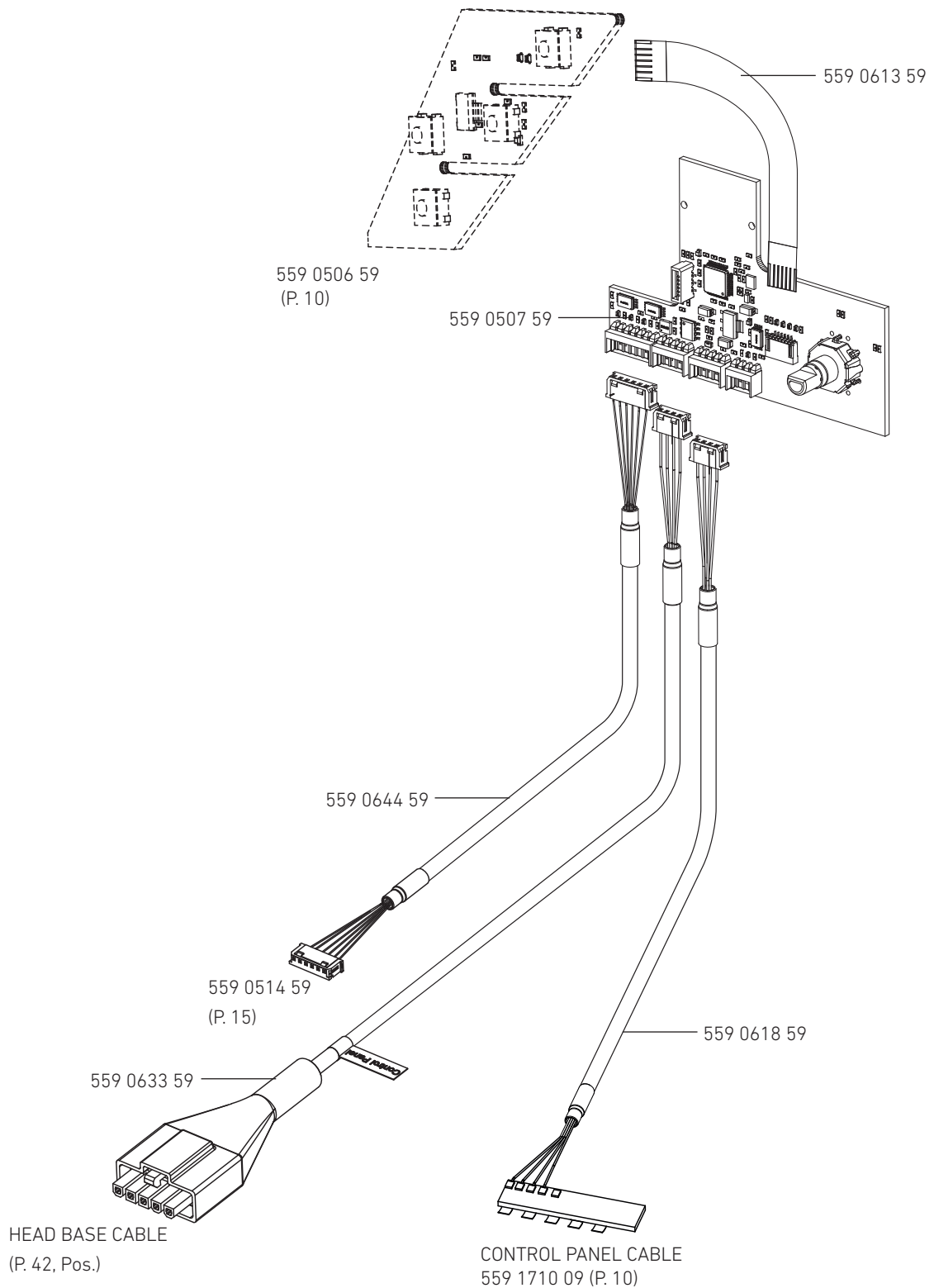
05. ELECTRONIC PARTS SEWING

03. BACK COVER CONTROL BOX



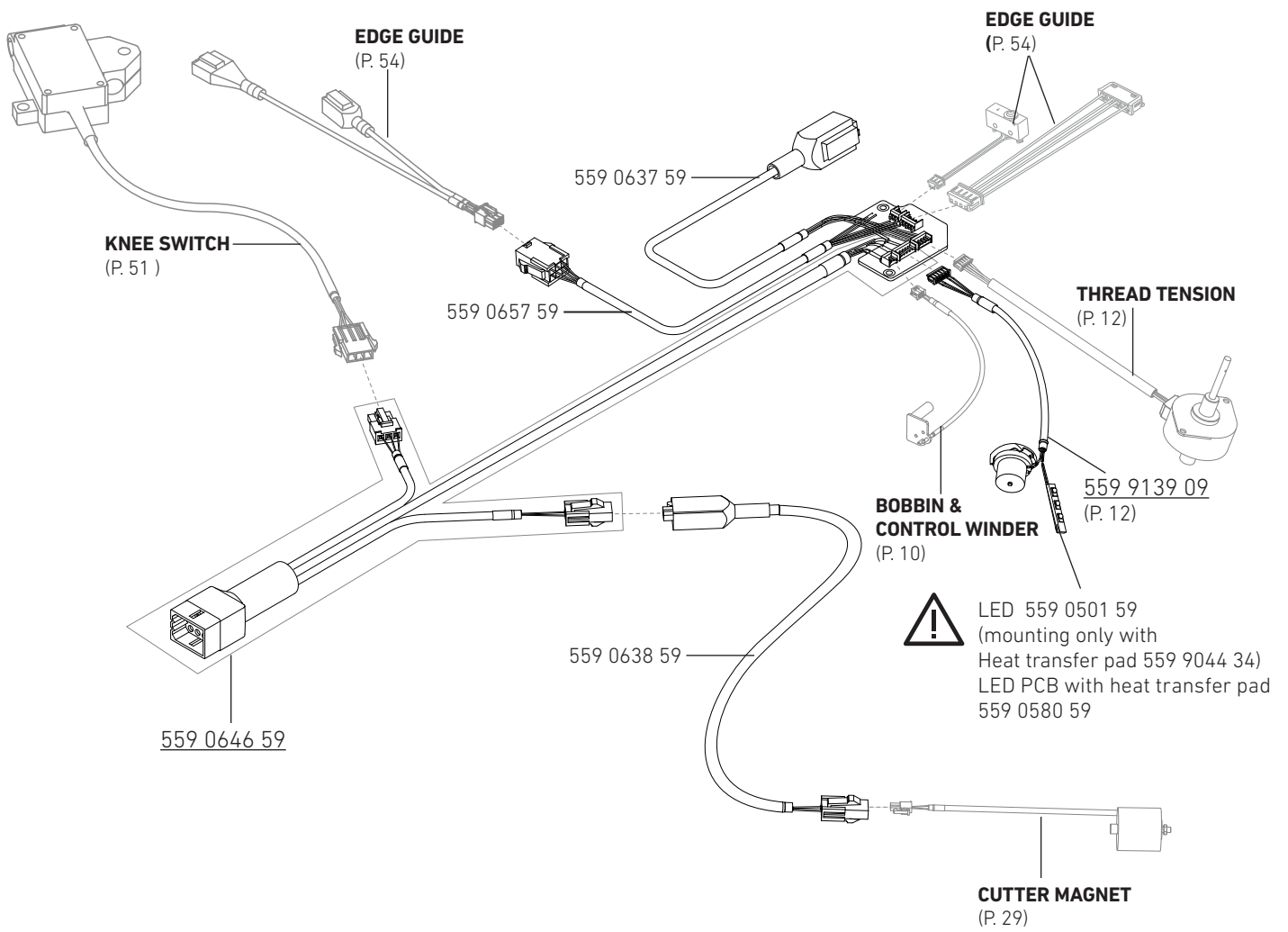
05. ELECTRONIC PARTS SEWING

04. CABLING HEAD PCB



05. ELECTRONIC PARTS SEWING

05. CABLING



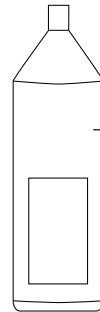
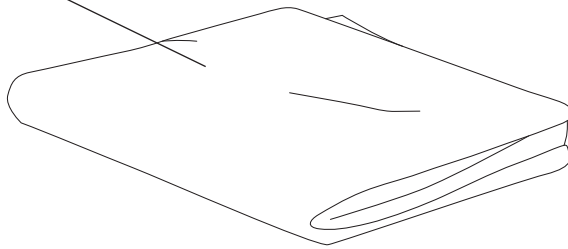
06. SEWING ACCESSORIES

48	01. ACCESSORIES
49	02. SERVICE KIT / ADJUSTMENT GAUGE
50	03. THREAD STAND
52	04. ADDITIONAL EQUIPMENT
56	04.04. ELECTRIC EDGE GUIDE - 558 710 000
57	04.05. HEIGHT ADJUSTABLE ELECTRIC EDGE GUIDE - 558 711 000
58	04.06. BINDER
59	04.07. EYE GUARD - 558 740 000
60	05. STICKERS
61	06. NEEDLE GAUGE PARTS

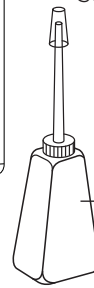
06. SEWING ACCESSORIES

01. ACCESSORIES

559 0856 30

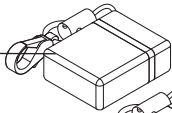


SuS 6346

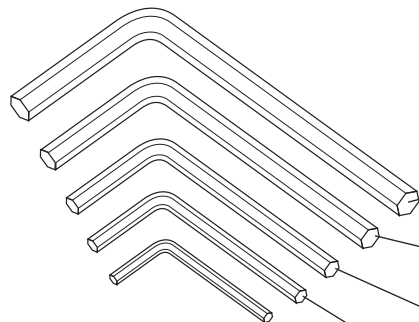
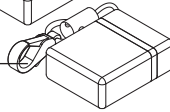


W060302001

559 0626 59
(USB Flash Drive – Admin)



559 0628 59
(USB Flash Drive – Operator)
OPTIONAL



S151004005
(Hexagonal wrench s=5)

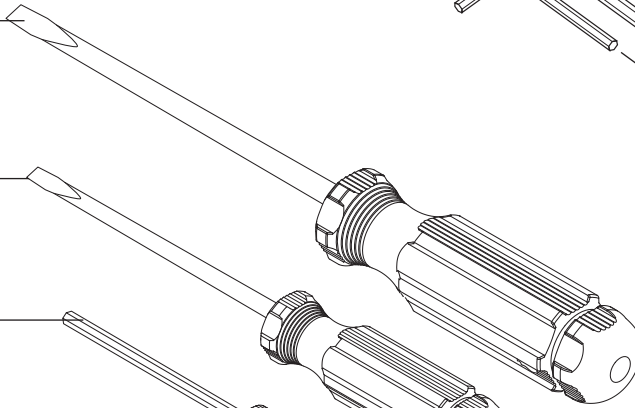
S151004004
(Hexagonal wrench s=4)

S151004003
(Hexagonal wrench s=3)

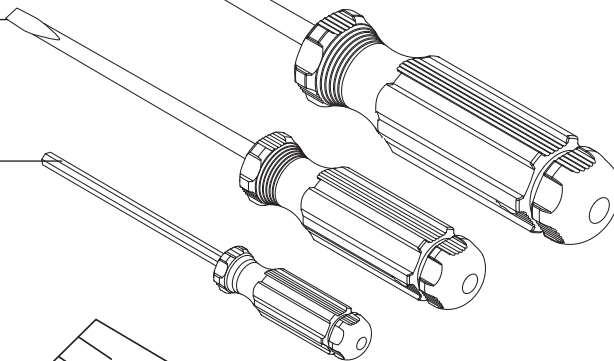
S151004012
(Hexagonal wrench s=2,5)

S151004010
(Hexagonal wrench s=1,5)

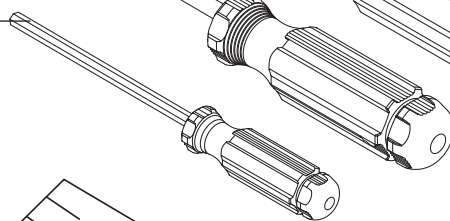
W060401017
(Screw Driver L)



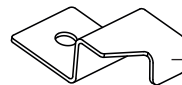
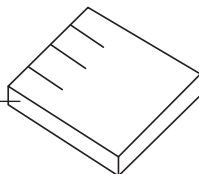
W060401023
(Screw Driver S)



209F01006



134-35 Needle
Size 120



559 0922 11

559 9009 30 (26 mm)
49WF1-033 (22mm)

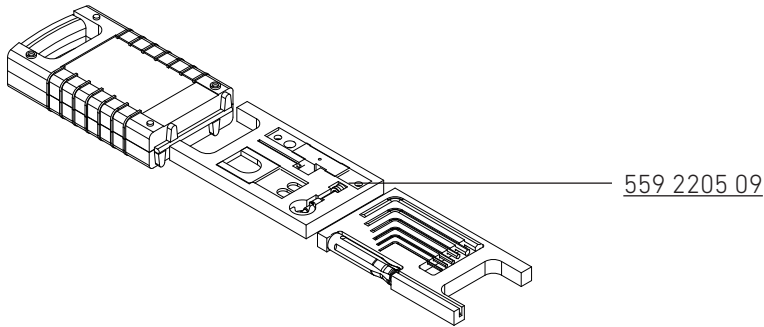


06. SEWING ACCESSORIES

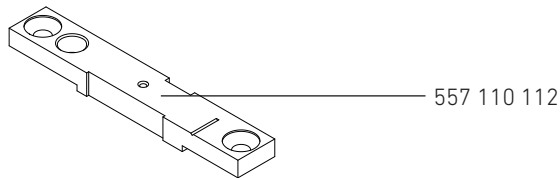
02. SERVICE KIT / ADJUSTMENT GAUGE

DESCRIPTION

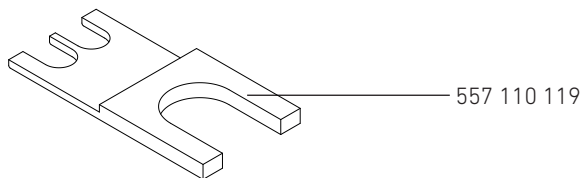
SERVICE KIT



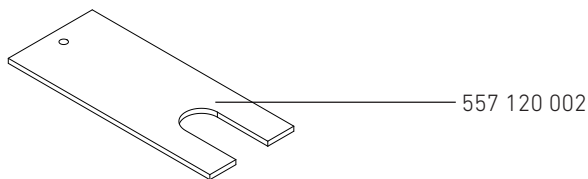
ADJUSTMENT GAUGE



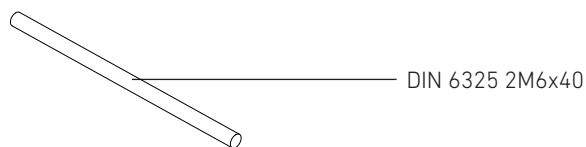
ADJUSTMENT GAUGE



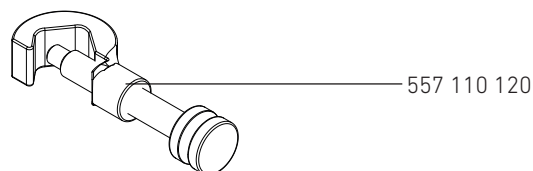
ADJUSTMENT GAUGE



PARALLEL PIN



CLAMP



06. SEWING ACCESSORIES

03. THREAD STAND

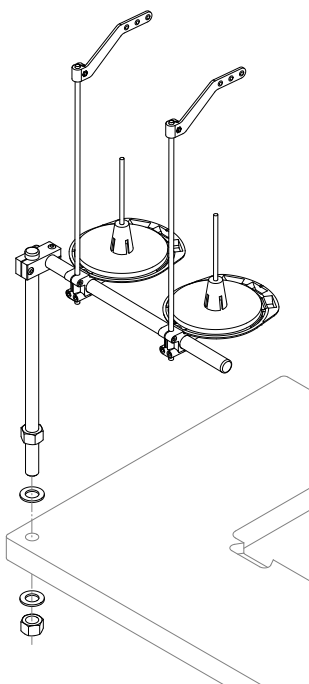
-1-2

NOTE!

To order individual parts, see next page.

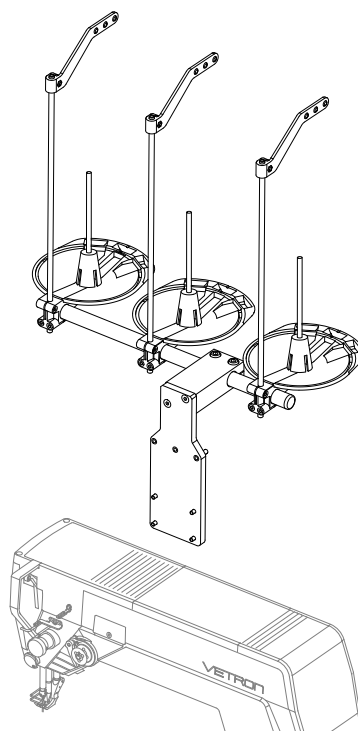
559 3640 09

Thread Stand



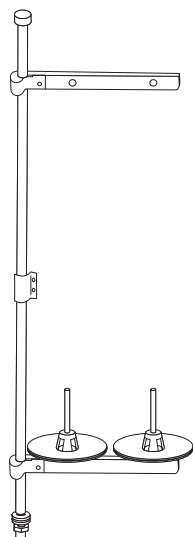
559 3642 09

Thread Stand / Mounting-Kit-Vetron



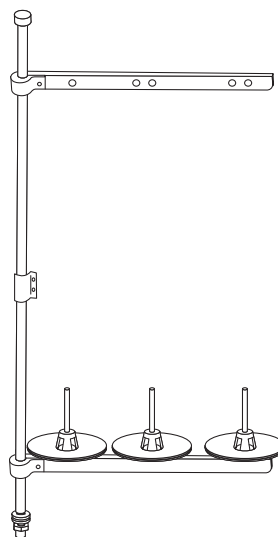
006F00030

Thread Stand / 2-Spools



1F-014

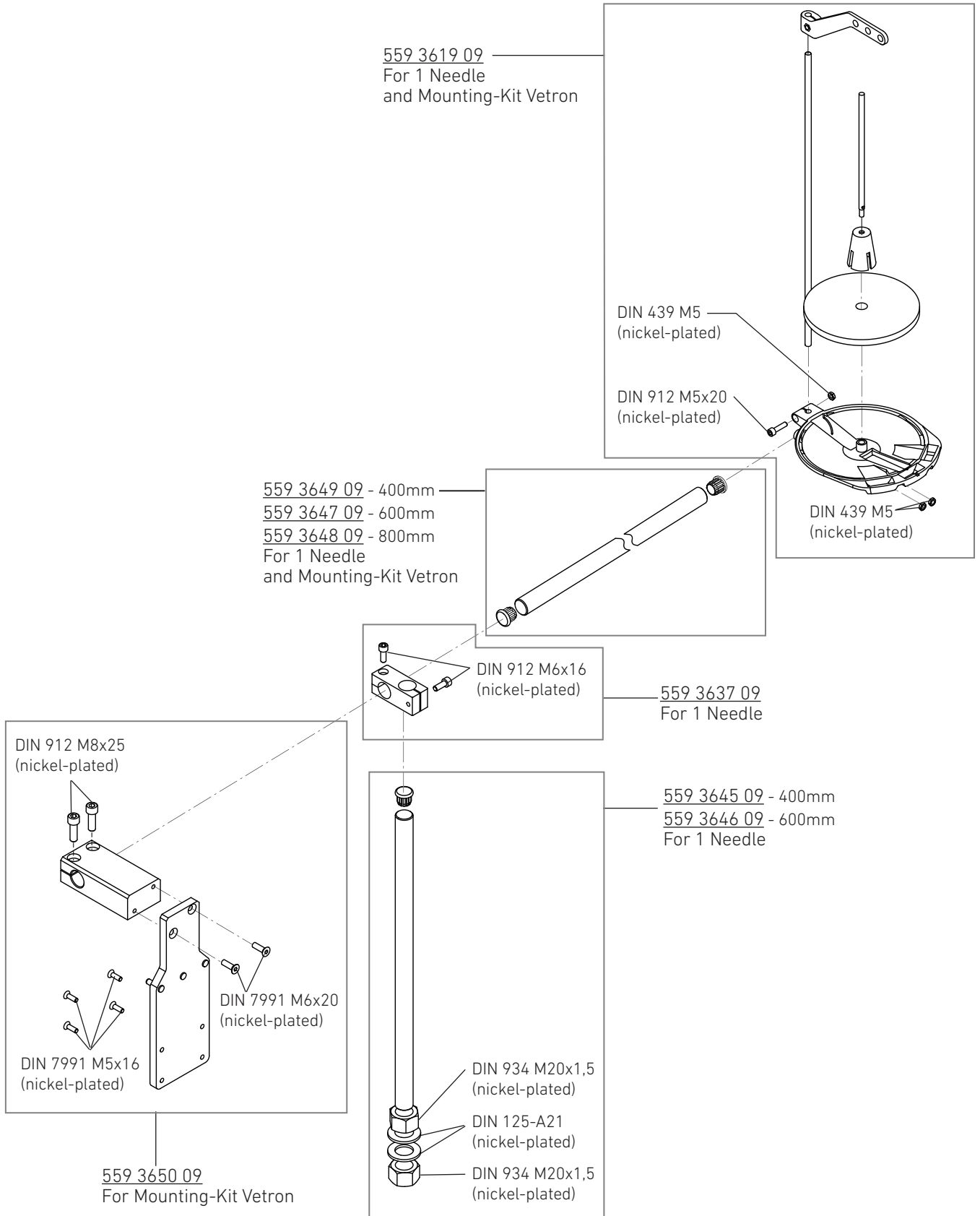
Thread Stand / 3-Spools



06. SEWING ACCESSORIES

03. THREAD STAND

-2-2

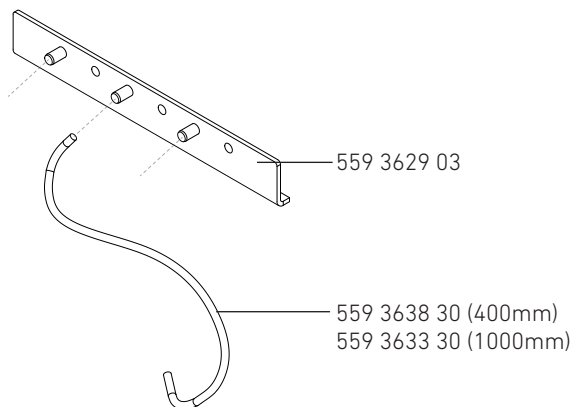


06. SEWING ACCESSORIES

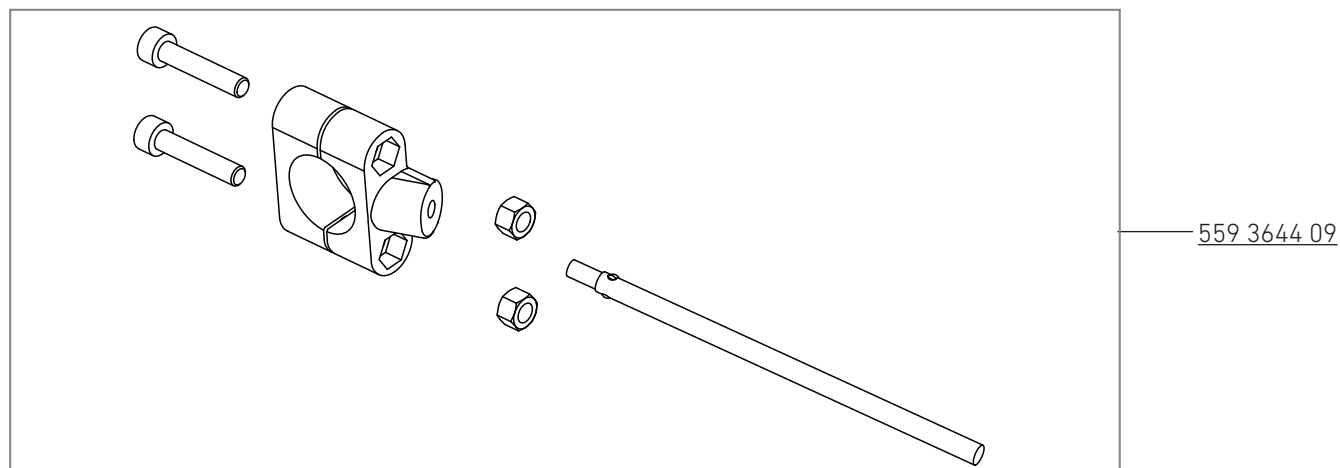
04. ADDITIONAL EQUIPMENT

DESCRIPTION

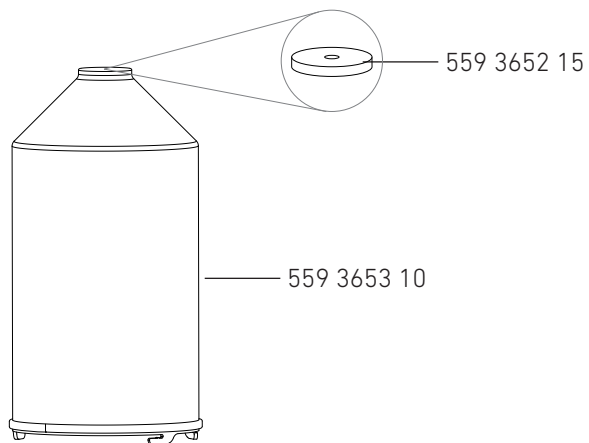
THREAD GUIDE WITH TUBE



SPINDLE SHAFT CLAMP (THREAD STAND)

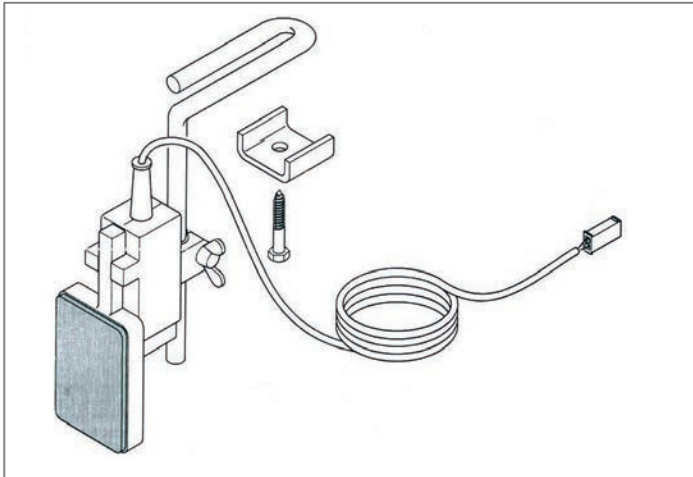


COVER FOR THREAD-COPS (THREAD STAND)



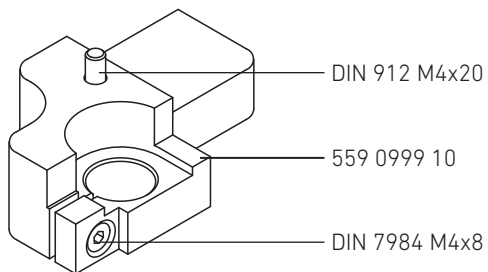
DESCRIPTION

KNEE SWITCH WITH CABLE



559 0699 59

ADAPTER FOR ADDITIONAL EQUIPMENT



DIN 912 M4x20

559 0999 10

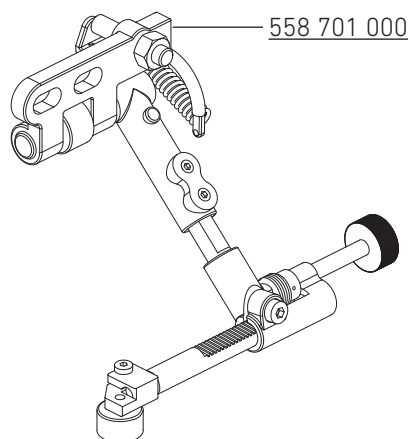
DIN 7984 M4x8

06. SEWING ACCESSORIES

04.02. ADDITIONAL EQUIPMENT

DESCRIPTION

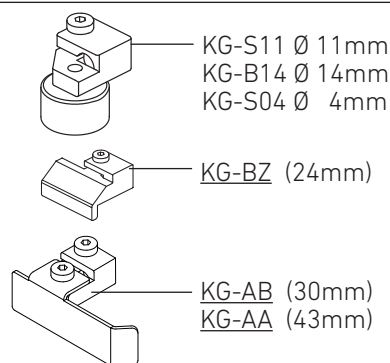
ROLLER & STRAIGHT GUIDE WITH FINE ADJUSTMENT



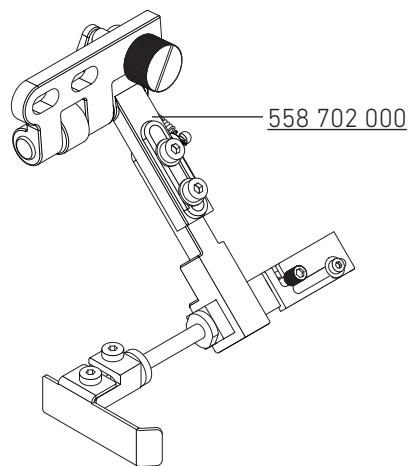
Combined hinged roller & straight guide,
can be raised.
Distance adjustment:

1–30 mm

Optional:



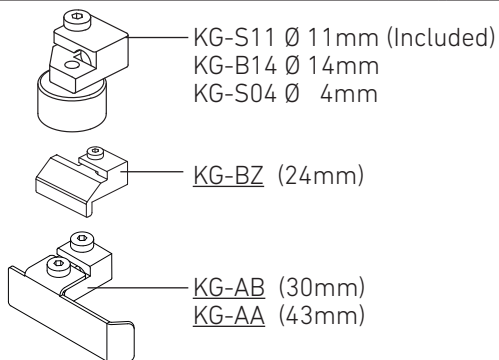
STRAIGHT GUIDE WITH QUICK ADJUSTMENT OF TWO DISTANCES



Straight edge guide right, swing up.
Two stitch width pre-adjusted, with quick change.
Distance adjustment:

1–30 mm

Optional:



06. SEWING ACCESSORIES

04.03. ADDITIONAL EQUIPMENT

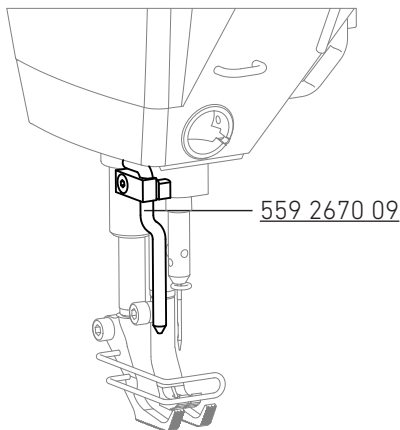
DESCRIPTION

BARCODE SCANNER



559 1893 09

NEEDLE COOLING

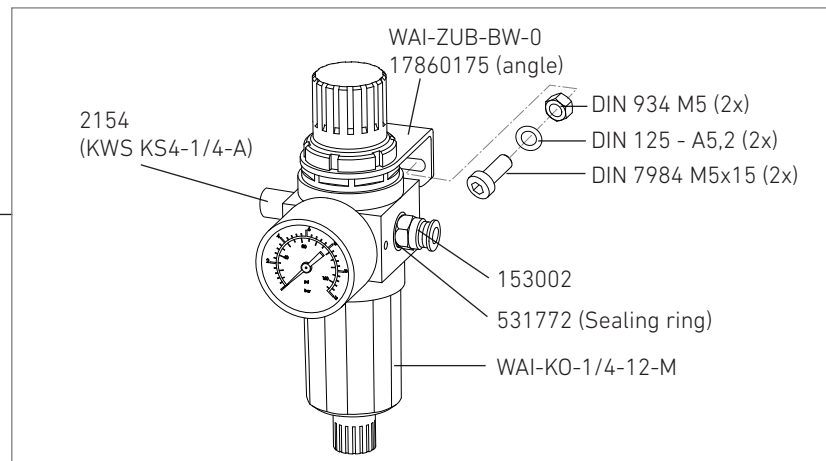


Needle Cooling Set 559 2670 09:

- | | |
|---|---|
| <ul style="list-style-type: none"> » Valve assy
559 0763 59 » Maintenance unit
17860121 » Tube 3x5
559 3107 34 » Tube PUN-6x4-SW
14012625 » Interconnect reduced
100 100 25 » Receptacle QSM-6-4
03070109 | <ul style="list-style-type: none"> » Throttle check valve L-DRV-B6-KU
21110102 » Screw
DIN 7981-4,2x32 (2x) <p>For Rack Mounting:</p> <ul style="list-style-type: none"> » Screw
DIN 912 M3x20 (2x) » Holder
559 2712 10 » Pipe
559 2713 10 » Screw
DIN 7984 M3x6 (zinc plated) |
|---|---|

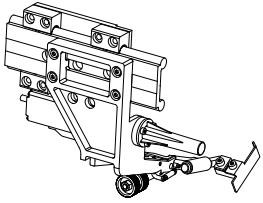
PNEUMATIC UNIT

559 7036 09

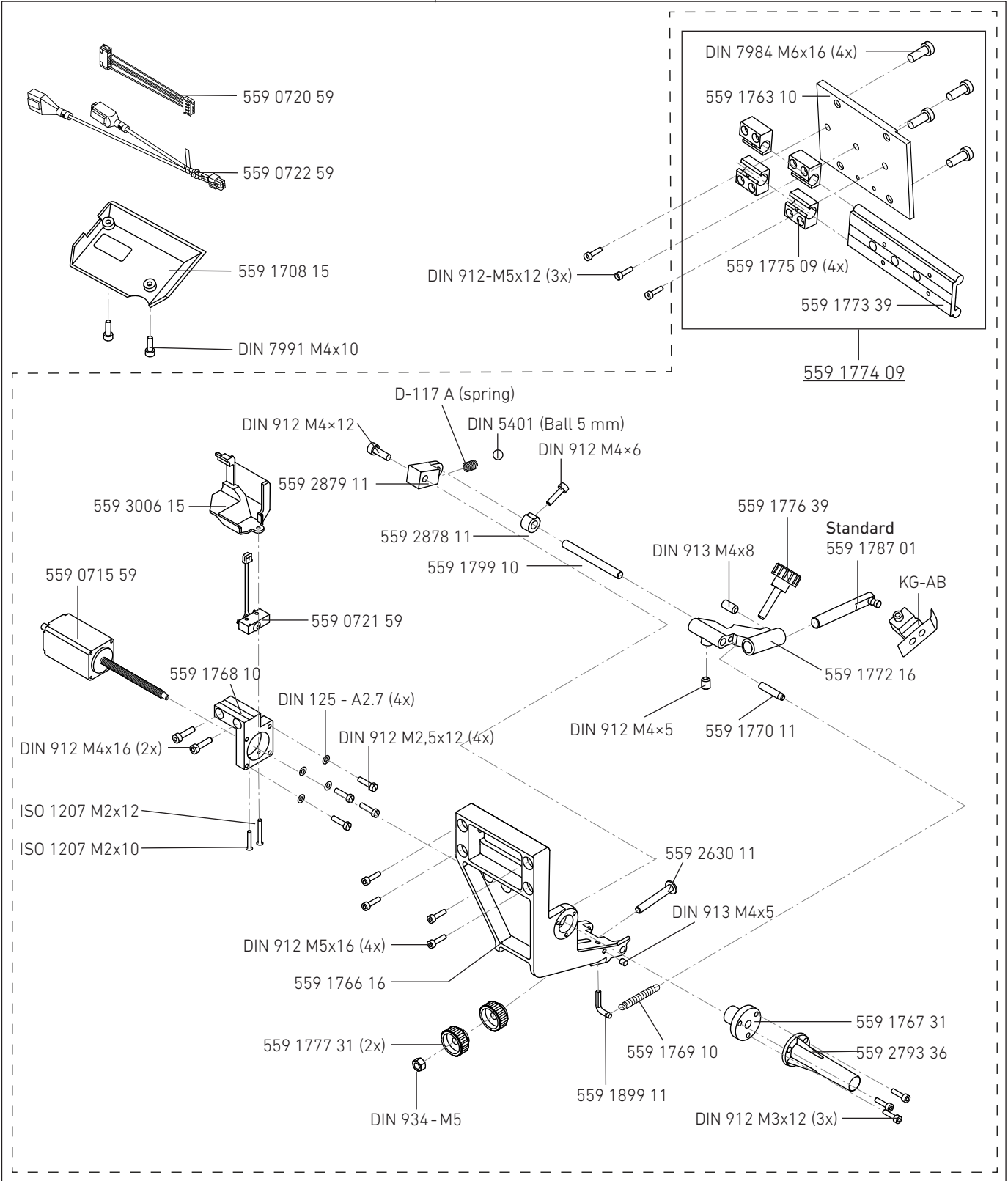


06. SEWING ACCESSORIES

04.04. ELECTRIC EDGE GUIDE - 558 710 000

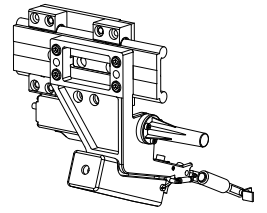


558 710 000

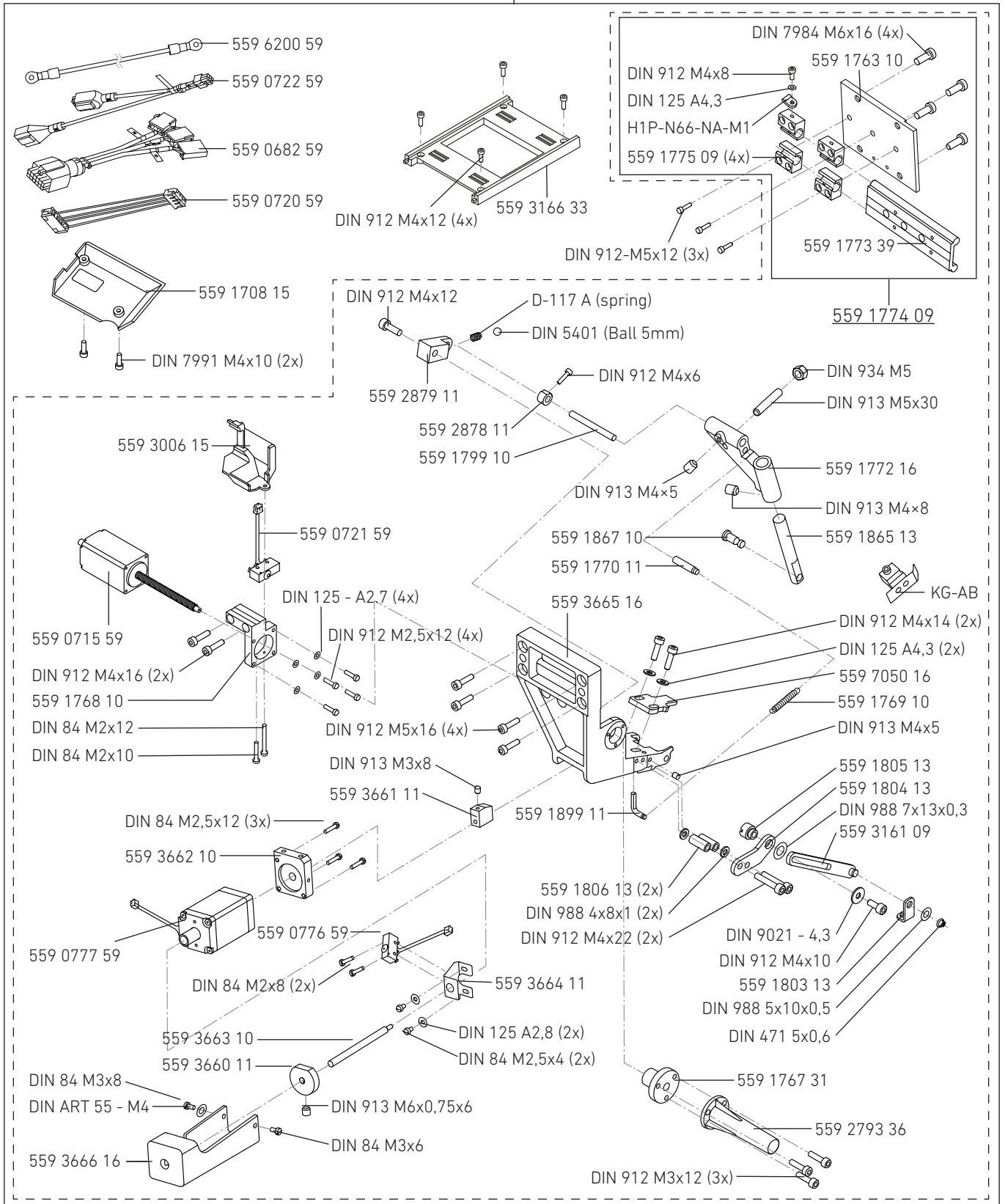


06. SEWING ACCESSORIES

04.05. HEIGHT ADJUSTABLE ELECTRIC EDGE GUIDE - 558 711 000



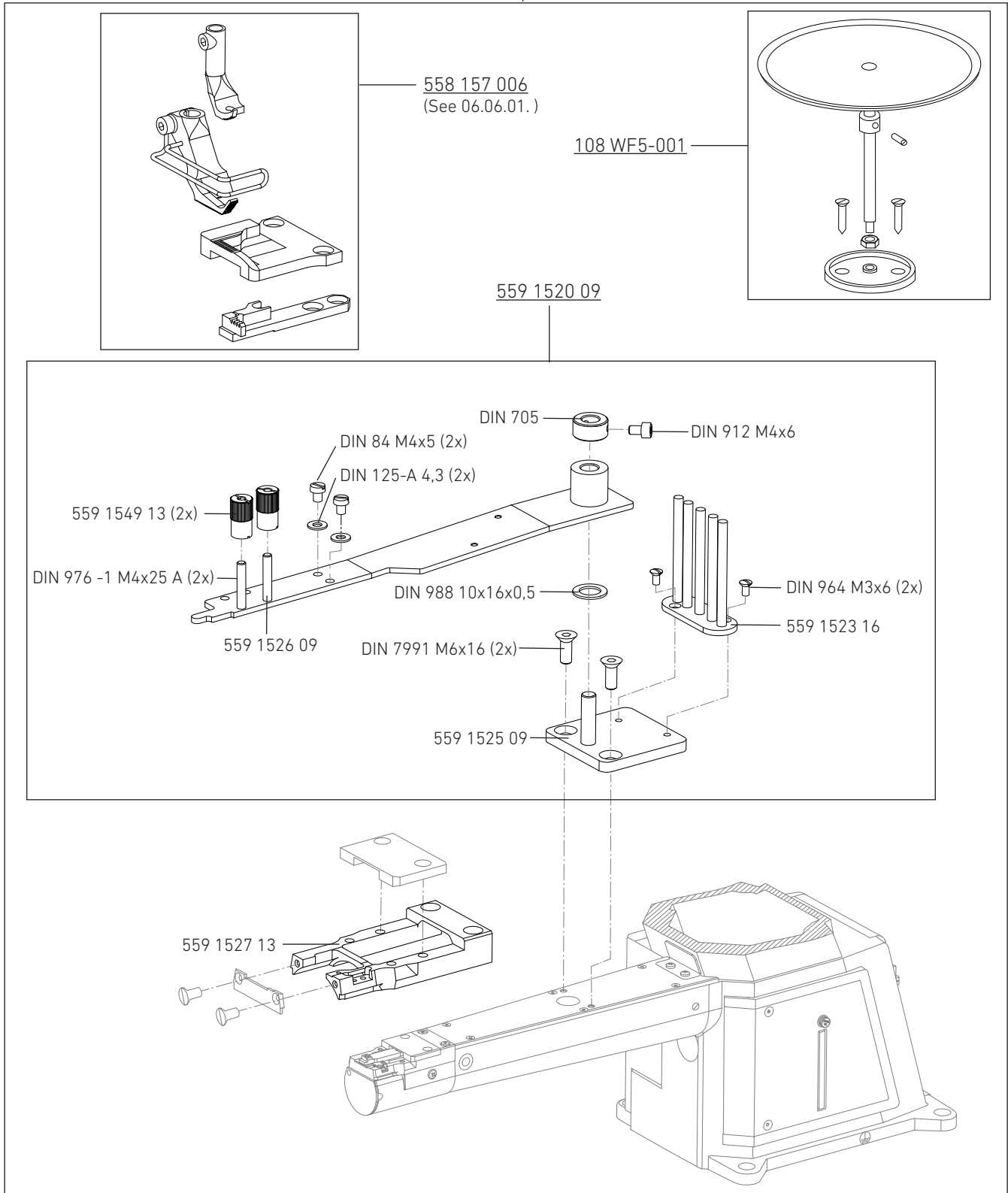
558 711 000



06. SEWING ACCESSORIES

04.06. BINDER

558 153 006



06. SEWING ACCESSORIES

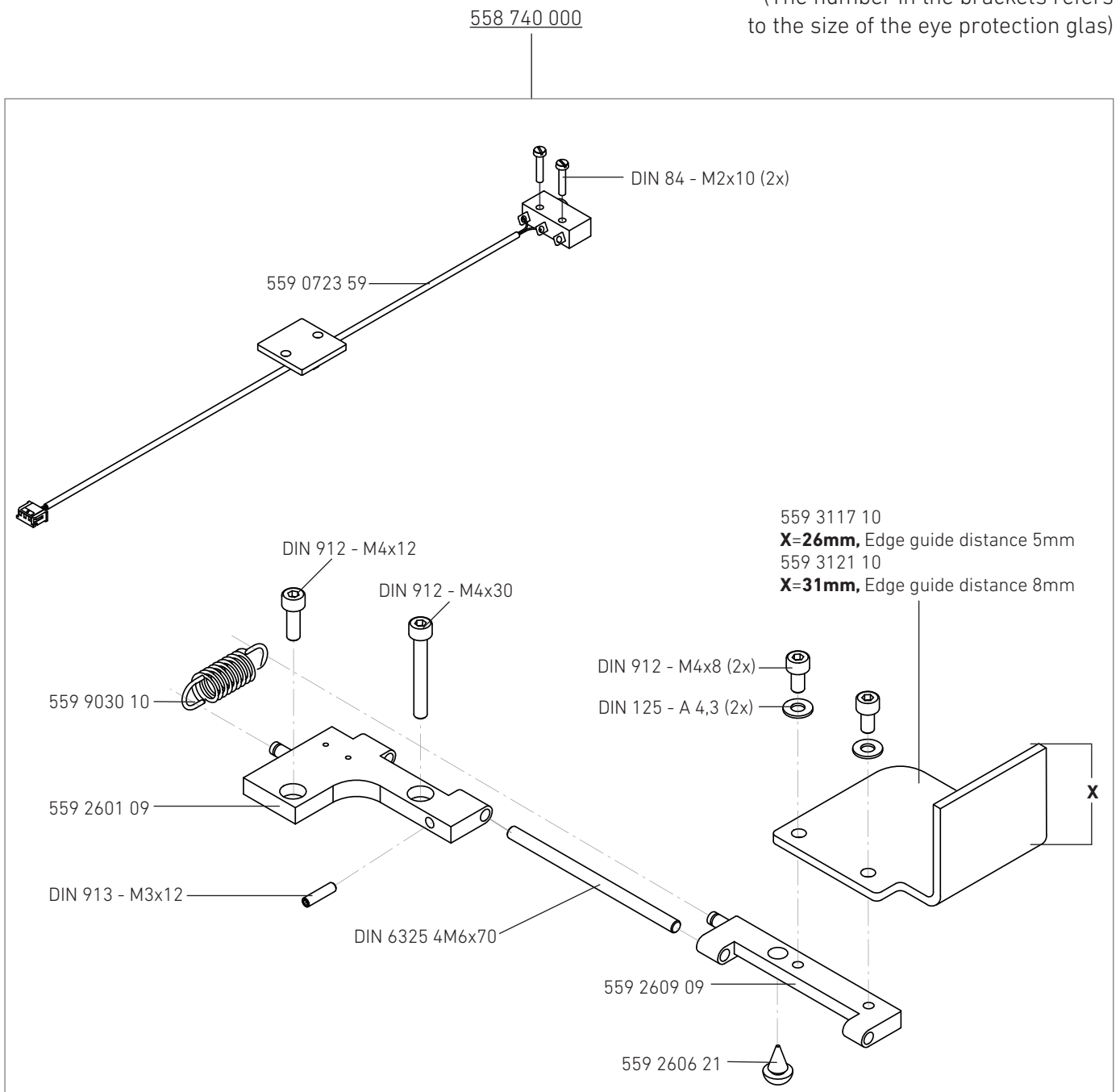
04.07. EYE GUARD - 558 740 000

EYE GUARD

558 740 000 (31mm)

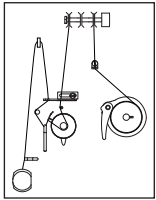
558 740 000 (26mm)

(The number in the brackets refers to the size of the eye protection glass)

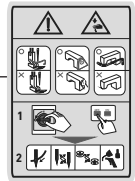
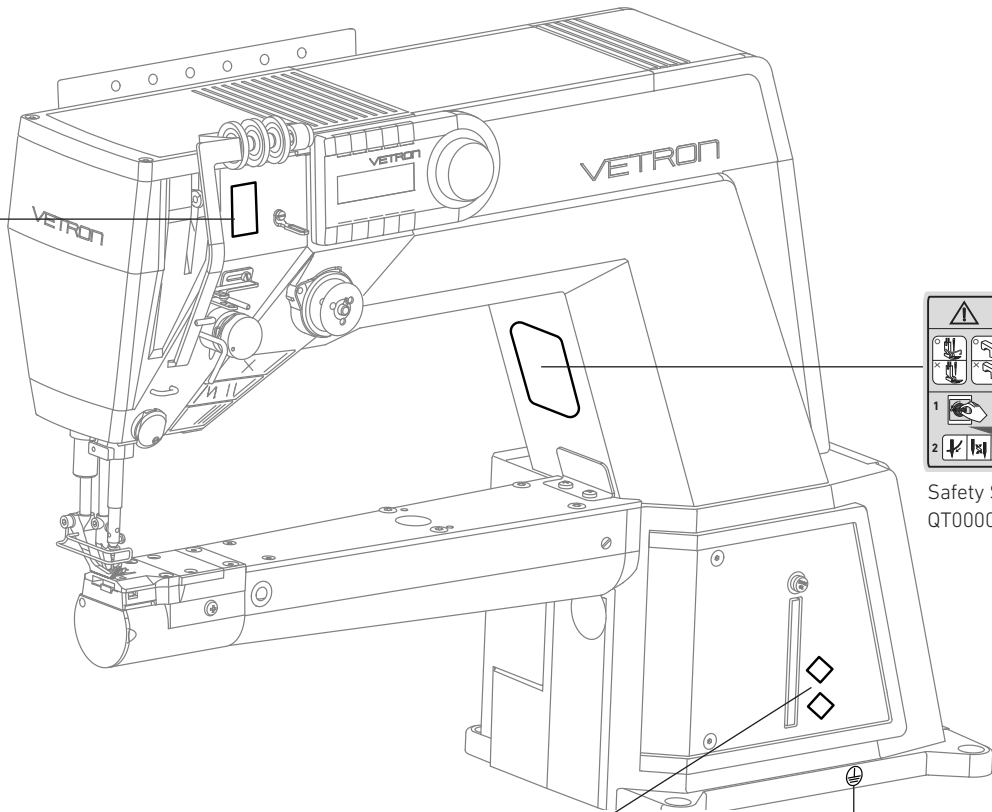


06. SEWING ACCESSORIES

05. STICKERS



Threading Scheme Sticker
559 3192 39



Safety Sticker
QT0000044



Health Hazard Sticker
559 3193 39



Environment Sticker
559 3194 39

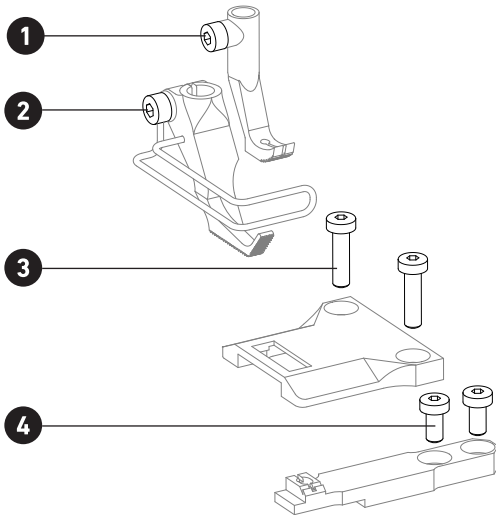


Grounding Sticker
559 3195 39

06. SEWING ACCESSORIES

06. NEEDLE GAUGE PARTS

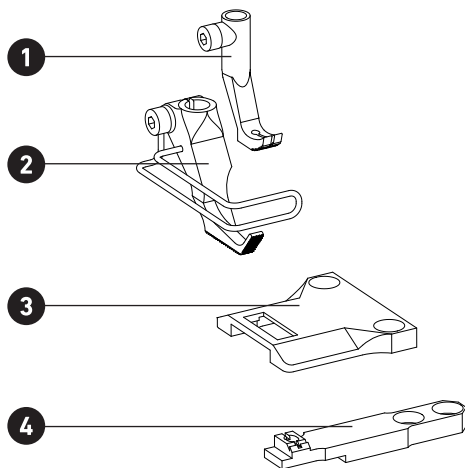
FASTENING PARTS FOR SEWING EQUIPMENTS



POS-NR.	PART NAME
1	DIN 912 - M4x6 nickel plated
2	DIN 912 - M4x10 nickel plated
3	DIN 7984 - M4x10 nickel plated (2x)
4	DIN 7984 - M4x6 (2x)

	POS-NR.	STITCH LENGTH	ORDER #
--	---------	---------------	---------

SEWING EQUIPMENT FOR STANDARD SEWING OPERATIONS



	SET:	6.0	558 152 006
	1 - 4	9.0	558 152 009
	1	6.0 / 9.0	559 4316 13
	2	6.0 / 9.0	559 4216 09
	3	6.0	559 4016 13
		9.0	559 4017 13
	4	6.0 / 9.0	559 4116 13

06. SEWING ACCESSORIES

06.01. NEEDLE GAUGE PARTS

	POS-NR.	STITCH LENGTH	ORDER #
SEWING EQUIPMENT FOR SMALL STITCH LENGTH (4MM)			
	SET:		
	1 - 4	4.0	558 152 004
	1	4.0	559 4327 13
	2	4.0	559 4226 09
	3	4.0	559 4021 13
	4	4.0	559 4123 13

	POS-NR.	STITCH LENGTH	ORDER #
SEWING EQUIPMENT FOR BINDING			
	SET:		
	1 - 4	6.0	558 157 006
	1	6.0	559 4321 13
	2	6.0	559 4228 09
	3	6.0	559 4022 13
	4	6.0	559 4124 13

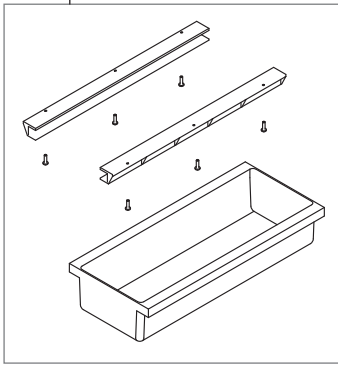
07. TABLE STAND

64 01. TABLE STAND

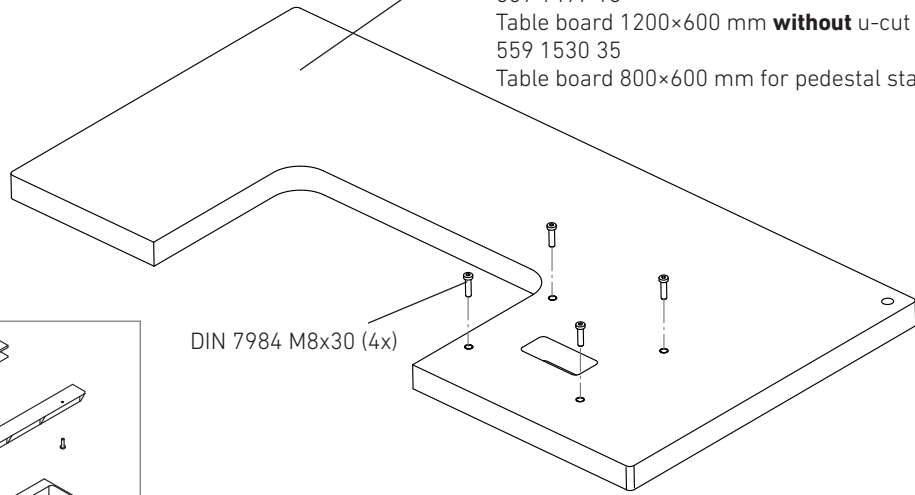
07. TABLE STAND

- 559 1510 35
Table board 1200×600 mm **with** u-cut
- 559 1497 16
Table board 1200×600 mm **without** u-cut
- 559 1530 35
Table board 800×600 mm for pedestal stand set up

559 3188 09

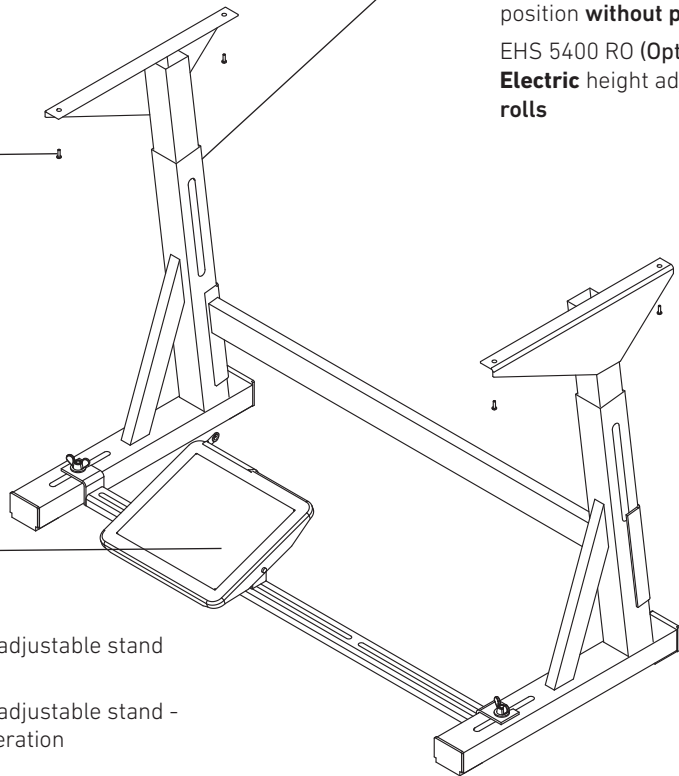


DIN 7984 M8x30 (4x)



- BF 767 SL 960
Height adjustable stand **incl. Pedal**
- EHS 97-107-220 (Option)
Electric height adjustable stand for sitting or standing position **without pedal**
- EHS 5400 RO (Option)
Electric height adjustable cylinder arm stand **with rolls**

DIN WN 6x35 (4x)



11-00030-35

- Pedal
- P-K 20 (Option)
Pedal for **electric** height adjustable stand
- P-K 40 (Option)
Pedal for **electric** height adjustable stand -
for sitting or standing operation

INDEX - PARTS OF SEWING MACHINE

At the time of printing, all information and illustrations in this document were up-to-date.

Technical changes without prior notice!



NOTE!

- » Please remember that we are not liable for spare parts and accessories not purchased from us. These parts were neither examined by us, nor released. Consequently, the installation or use of these products can have a negative influence on features and your workflow of the machine.
- » We accept no liability for any damage caused by the use of non-original parts.
- » Parts which are boxed have a underlined number. These parts have a assembly part number!
- » The part numbers in the box can be seperately ordered.
- » Parts with a ★ means this part is new designed. The previous version is found at the end of the chapter. After consumption they will no longer be available.

INDEX - PARTS OF SEWING MACHINE

PART NUMBER	PAGE	PART NUMBER	PAGE
Symbole		558 701 000	54
1F-014	50	Roller & straight guide with fine adjustment	
Thread Stand / 3-Spools		558 702 000	54
006F00030	50	Straight guide with quick adjustment of two distances	
Thread Stand / 2-Spools		558 710 000	56
11-00030-35	64	Electric edge guide	
Pedal		558 711 000	57
49WF1-033	33, 48	Height adjustable edge guide assy	
Bobbin (22mm)		558 740 000	59
93WF2-001	16	Eye Guard	
Screw		559 0006 11	12
108 WF5-001	58	Collar	
Tape roll carrier		559 0009 09	24
130.13.600	13	Cover	
Spring (0,45)		559 0010 09	09
209F01006	48	Cover	
Hexagonal wrench for needle screw		559 0060 10	18
500 011 404	18	Collar	
Screw		559 0061 10	27, 36
500 034 322	39	Timing belt pulley	
Rubber plug		559 0062 15	36
500 035 330	42	Balance wheel	
Display button (Jog key)		559 0072 10	16
500 035 501	42	Crank-arm shaft	
Display button AB		559 0075 09	18
500 035 502	42	Pendular assy	
Display button CD		559 0080 10	18
500 035 506	42	Guide way	
Display button (Parameter)		559 0081 10	18
500 035 510	42	Plate	
Display button (Escape)		559 0085 10	19
557 110 112	49	Crank	
Adjustment gauge		559 0087 10	19
557 110 119	49	Spring guide	
Adjustment gauge		559 0091 10	20
557 110 120	49	Gear wheel	
Clamp		559 0092 10	19
557 120 002	49	Gear wheel	
Adjustment gauge		559 0093 10	19
558 152 004	62	Spring (Standard)	
Needle Gauge Parts		559 0095 10	19
558 152 006	61	Shaft	
Needle Gauge Parts		559 0096 10	20
558 152 009	61	Bolt	
Needle Gauge Parts		559 0098 10	16, 30
558 153 006	58	Shaft	
Binder assy		559 0099 10	20
558 157 006	58, 62	Gear wheel segment	
Needle Gauge Parts			

INDEX - PARTS OF SEWING MACHINE

PART NUMBER	PAGE	PART NUMBER	PAGE
559 0102 10 Collar	19	559 0375 09 1-Needle Thread tension assy	21
559 0103 10 Slide block	16	559 0392 15 Key cape	10
559 0104 09 Thread take up assy	16	559 0393 13 Tension disc	13, 16
559 0117 10 Gear wheel	20	559 0394 13 Frame balance wheel	10
559 0119 13 Shaft	12	559 0395 15 Ballance wheel	10
559 0121 33 Cover	09	559 0396 69 Key cape	10
559 0126 35 Cover	09	559 0397 69 Key cape	10
559 0127 36 Cover	09	559 0398 15 Key cape	10
559 0130 09 Frame assy	12	559 0418 10 Plate	20
559 0132 13 Thread guide	12	559 0422 00 Gear wheel assy	20
559 0133 13 Thread guide	12	559 0429 13 Thread guide	12
559 0163 09 Stitchregulator - top feed	16, 17	559 0430 36 Endcarriage	12
559 0169 10 Shaft	16	559 0469 11 Shaft	28, 36
559 0173 00 Lever with bolt	29	559 0480 00 Slide rod assy	19
559 0227 33 Frame	24	559 0486 00 Shaft with coupling	36
559 0229 33 Frame behind	24	559 0493 13 Thread guide	12
559 0230 35 Cover behind	24	559 0496 10 Bolt	29
559 0231 35 Cover	24	559 0499 10 Spring	10
559 0237 30 Diffusion lens	12	559 0501 59 LED-PCB	12, 46
559 0239 09 Top foot assy	19	559 0506 59 Circuit board	10
559 0241 10 Link lever	19	559 0507 59 Head base with CPU	10, 45
559 0282 13 Lever	11	559 0514 59 Sensor	21
559 0296 16 Tension spring	12	559 0528 59 PCB	15
559 0299 09 Holder assy	21	559 0551 59 Display button (cut)	42

INDEX - PARTS OF SEWING MACHINE

PART NUMBER	PAGE	PART NUMBER	PAGE
559 0552 59 Display button (needle position)	42	559 0682 59 Cable	57
559 0553 59 Display button (light)	42	559 0699 59 Knee switch with cable	53
559 0554 59 Display button (new program)	42	559 0704 59 Thread tension actuator	12
559 0556 59 Display button (save)	42	559 0710 59 Presser foot stepper motor	20
559 0560 59 Sensor	15	559 0714 59 Top feed stroke motor	20
559 0568 59 Display button (chain program)	42	559 0715 59 Linear actuators with nut	56, 57
559 0580 59 LED PCB with thermal pad	12, 46	559 0720 59 Cable	56, 57
559 0612 59 Cable	43	559 0721 59 Cable	56, 57
559 0613 59 FFC-Cable	45	559 0722 59 Cable	56, 57
559 0618 59 Display Connector	10, 45	559 0723 59 Cable complete	59
559 0626 59 USB Flash Drive – Admin	48	559 0771 59 Foot pressure stepper Fei Long Type	28
559 0628 59 (USB Flash Drive – Operator) Optional	48	559 0776 59 Adapter cable with switch	57
559 0629 59 Control box VE 8340	43	559 0777 59 Stepper Motor with cable	57
559 0633 59 Head base cable	45	559 0809 10 Holder	21
559 0637 59 Thread tension cable	46	559 0812 10 Screw	19
559 0638 59 Trimmer cable	46	559 0820 10 Guide assy	15
559 0641 59 Control panel basic machine	42	559 0831 10 Key	28
559 0644 59 Foot position sensor cable	45	559 0835 09 Foot distance sensor assy	21
559 0646 59 CTL-cable	46	559 0841 09 Carrier with solenoid	10
559 0649 59 Cable	10	559 0842 35 Foam block	24
559 0654 59 Power cable	43	559 0844 09 Cover behind - assy	24
559 0655 59 Cable encoder	27	559 0847 11 Holder	18
559 0657 59 Head cable extension	46	559 0848 10 Screw	15
559 0663 59 Bobbin winder cable	10	559 0856 30 Head cover	48

INDEX - PARTS OF SEWING MACHINE

PART NUMBER	PAGE	PART NUMBER	PAGE
559 0863 14 Bushing	24	559 1424 10 Shaft	27
559 0896 14 Felt	18	559 1428 10 Timing belt pulley	27
559 0899 11 Rubber plug	24	559 1430 09 Stitch regulator assy	28, 30
559 0921 13 Thread guide	24	559 1432 09 Crank gear assy	27
559 0922 11 Fixation for Display	42, 48	559 1435 09 Crank assy	28, 29
559 0926 09 Thread guide assy	13	559 1437 10 Lever	32
559 0953 11 Cable holder	15	559 1439 10 Lever	32
559 0955 14 Vinyl tube 3x5	24	559 1443 10 Plate	27
559 0956 15 Cover	15	559 1444 35 Cover	24
559 0957 14 Star	36	559 1445 33 Frame	24
559 0958 10 Spring	11	559 1446 16 Cover	24
559 0963 14 Felt	18	559 1447 16 Cover	24
559 0964 01 Plate assy	15	559 1448 10 Shaft	31
559 0968 11 Cable holder	15	559 1453 10 Catcher	32
559 0972 35 Cover for panel connection	42	559 1454 10 Spacer	25
559 0984 11 Holder	15	559 1455 09 Crank with bearing	28
559 0999 10 Adapter for additional equipment	53	559 1460 09 Feed crank assy	25
559 1061 11 Angle	11	559 1461 10 Cam	32
559 1417 13 Cover (26mm)	25	559 1462 10 Carrier	32
559 1418 13 Cover	25	559 1463 09 Carrier assy	32
559 1419 11 Holder	28	559 1464 10 Shaft	25
559 1420 10 Shaft	28	559 1470 09 Hook oil reservoir assy	39
559 1421 10 Crank	28	559 1471 09 Hook oil reservoir assy	39
559 1422 09 Lever with bushing	29	559 1474 13 Plate	25

INDEX - PARTS OF SEWING MACHINE

PART NUMBER	PAGE	PART NUMBER	PAGE
559 1475 03 Plate assy	25	559 1530 35 Table board 800x600 mm for pedestal stand set up	64
559 1477 09 Carrier	32	559 1532 13 Plate with cam (22mm)	25
559 1478 09 Carrier assy	32	559 1533 13 Needle plate holder (22mm)	25
559 1479 00 Lever assy	32	559 1534 36 Cover (22mm)	25
559 1480 09 Lever assy	32	559 1537 13 Cover (22mm)	25
559 1481 09 Carrier assy	25	559 1538 13 Lever (22mm)	11
559 1488 35 Oil ring	31, 32	559 1539 10 Spring	11
559 1492 09 Solenoid thread cutter	32	559 1540 13 Cover (26mm)	25
559 1493 10 Eccentric bolt	27	559 1542 13 Plate with cam (26mm)	25
559 1494 09 Carrier assy	25	559 1543 13 Needle plate holder (26mm)	25
559 1495 35 Timing belt 665-5MGT3-9	27	559 1544 10 Knife	32
559 1496 35 Timing belt 300-5MGT3-9	27	559 1545 10 Washer	32
559 1497 16 Table board 1200x600 mm without u-cut	64	559 1549 13 Knurled screw	58
559 1501 16 Rubber plug	24	559 1565 09 Hook (22mm)	33
559 1502 35 Rubber plug	39	559 1566 09 Hook without bobbin case (26mm)	33
559 1503 14 Screw	25	559 1567 09 Hook without bobbin case (22mm)	33
559 1509 09 Main motor / Typical YM24-D assy	27	559 1568 09 Hook without bobbin case holder (26mm)	33
559 1510 35 Table board 1200x600 mm with u-cut	64	559 1569 09 Hook without bobbin case holder (22mm)	33
559 1515 11 Holder	28	559 1570 10 Screw	33
559 1520 09 Binder	58	559 1571 10 Screw	33
559 1523 13 Guide	58	559 1572 10 Screw	33
559 1525 09 Plate assy	58	559 1573 10 Screw	33
559 1526 09 Carrier	58	559 1574 10 Hook gib (26mm)	33
559 1527 13 Needle plate holder	58	559 1575 10 Hook gib (22mm)	33

INDEX - PARTS OF SEWING MACHINE

PART NUMBER	PAGE	PART NUMBER	PAGE
559 1576 10 Hook body (26mm)	33	559 1713 35 Seal ring	27
559 1577 10 Hook body (22mm)	33	559 1763 10 Plate	56, 57
559 1578 10 Thread guard (26mm)	33	559 1766 16 Carrier	56
559 1579 10 Thread guard (22mm)	33	559 1767 31 Nut	56, 57
559 1580 10 Screw	33	559 1768 10 Carrier	56, 57
559 1581 10 Screw	33	559 1769 10 Spring Z-081 RI	56, 57
559 1582 10 Screw	33	559 1770 11 Bolt	56, 57
559 1583 10 Bobbin brake spring (26mm)	33	559 1772 16 Carrier	56, 57
559 1584 10 Bobbin brake spring (22mm)	33	559 1773 39 DryLin W chain guide	56, 57
559 1585 11 Tension spring (26mm)	33	559 1774 09 Guide bloc	56, 57
559 1586 11 Tension spring (22mm)	33	559 1775 09 Housing with bushing	56, 57
559 1587 10 Screw	33	559 1776 39 Knurled screw	56
559 1588 10 Screw	33	559 1787 01 Bolt assy	56
559 1589 10 Screw	33	559 1798 13 Thread guide (26mm)	12
559 1590 10 Screw	33	559 1799 10 Pin	56, 57
559 1591 10 Bobbin case body (26mm)	33	559 1803 13 Angle	57
559 1592 10 Bobbin case body (22mm)	33	559 1804 13 Bolt	57
559 1593 09 Bobbin case (26mm)	33	559 1805 13 Bolt	57
559 1594 09 Bobbin case (22mm)	33	559 1806 13 Bolt	57
559 1595 10 Bobbin case holder (26mm)	33	559 1865 13 Bolt	57
559 1596 10 Bobbin case holder (22mm)	33	559 1867 10 Bolt	57
559 1700 09 Bobbin winder	11	559 1893 09 Barcode scanner	55
559 1708 15 Cover	15, 56, 57	559 1899 11 Bolt	56, 57
559 1710 09 Control & Bobbin Winder	10	559 2153 16 Carrier	43

INDEX - PARTS OF SEWING MACHINE

PART NUMBER	PAGE	PART NUMBER	PAGE
559 2155 09 Set point device	43	559 3166 33 Frame	57
559 2161 09 Connecting rod	43	559 3180 09 1-Needle thread tension assy	12
559 2162 06 Mounting kit for control box	43	559 3182 13 Disc	12
559 2205 09 Service kit	49	559 3188 09 Drawer	64
559 2601 09 Plate assy	59	559 3192 39 Threading Scheme Sticker	60
559 2606 21 Buffer	59	559 3193 39 Health Hazard Sticker	60
559 2609 09 Plate assy	59	559 3194 39 Environment Sticker	60
559 2610 10 Plate	15	559 3195 39 Grounding Sticker	60
559 2616 10 Copper plate	10	559 3218 13 Lever (26mm)	11
559 2630 11 Screw	56	559 3223 10 Shaft	12
559 2670 09 Needle cooling	55	559 3619 09 Thread Stand	51
559 2695 09 Top foot assy	19	559 3629 03 Thread guide	52
559 2769 09 Head electronics assy without bobbin winder	10	559 3633 30 Tube (1000mm)	52
559 2793 36 Cover	56, 57	559 3637 09 Clamp	51
559 2878 11 Collar	56, 57	559 3638 30 Tube (400mm)	52
559 2879 11 Bloc	56, 57	559 3640 09 Thread Stand / 1-Needle	50
559 3001 09 Needle bar assy	18	559 3642 09 Thread Stand / Mounting-Kit-Vetron	50
559 3002 13 Thread guide	18	559 3644 09 Spindle shaft clamp	52
559 3006 15 Cable cover	56, 57	559 3645 09 Pipe (400mm)	51
559 3107 34 Oil tube 3x5	38	559 3646 09 Pipe (600mm)	51
559 3109 34 Oil wick Ø 2mm	38	559 3647 09 Pipe (600mm)	51
559 3117 10 Eye guard 26mm	58, 59	559 3648 09 Pipe (800mm)	51
559 3121 10 Eye guard 31mm	59	559 3649 09 Pipe (400mm)	51
559 3166 10 Frame	24	559 3650 09 Mounting Kit - Vetron	51

INDEX - PARTS OF SEWING MACHINE

PART NUMBER	PAGE	PART NUMBER	PAGE
559 3652 15 Foam	52	559 7017 10 Magnet stripe	21
559 3653 10 Cover for thread stand cops	52	559 7018 09 Foot distance sensor assy	15
559 3660 11 Collar	57	559 7021 09 Assy	21
559 3661 11 Cam	57	559 7036 09 Maintenance unit	55
559 3662 10 Plate	57	559 7050 16 Limit plate	57
559 3663 10 Threaded Spindle	57	559 9003 09 Hook (26mm)	33
559 3664 11 Angle	57	559 9007 10 Soft spring	43
559 3665 16 Carrier	57	559 9008 10 Standard spring	43
559 3666 16 Cover	57	559 9009 30 Bobbin (Standard 26mm)	33, 48
559 4016 13 Needle Plate	61	559 9030 10 Spring	59
559 4017 13 Needle Plate	61	559 9044 34 Heat transfer pad	12, 46
559 4021 13 Needle Plate	62	559 9090 10 Carrier	24
559 4022 13 Needle Plate	62	559 9139 09 Light clamp cable	12, 46
559 4116 13 Feed Dog	61	B	
559 4123 13 Feed Dog	62	B966234009 Spring	27
559 4124 13 Feed Dog	62	B966235009 Bolt	27
559 4216 09 Outer Foot	61	BF 767 SL 960 Height adjustable stand incl. Pedal	64
559 4226 09 Outer Foot	62	BX85720609 Screw	27
559 4228 09 Outer Foot	62	BX85728009 Oil pipe	39
559 4316 13 Inner Foot	61	BXF9823009 Gear	27
559 4321 13 Inner Foot	62	BXF9943009 Gear	27
559 4327 13 Inner Foot	62	C	
559 6200 59 Cable	57	C144588201 Thread tension spring (C) - standard	12
559 7016 09 Holder assy	19	C144588301 Thread tension spring (B)	12
		D	
		D-117 A Spring	56, 57

INDEX - PARTS OF SEWING MACHINE

PART NUMBER	PAGE	PART NUMBER	PAGE
D-194 Soft spring	19	S150201003 Screw	18
D-222 E Spring - Low pressure	19	S150232005 Screw	19
DIN 934 - M5 Nut	56	S151004003 Hexagonal wrench s=3	48
E		S151004004 Hexagonal wrench s=4	48
EHS 97-107-220 Electric height adjustable stand for sitting or standing position without pedal (Option)	64	S151004005 Hexagonal wrench s=5	48
EHS 5400 RO Electric height adjustable cylinder arm stand with rolls	64	S151004010 Hexagonal wrench s=1,5	48
K		S151004012 Hexagonal wrench s=2,5	48
KG-AA Edge guide (43mm)	54	SuS 6346 Oil can with 0,4l oil	48
KG-AB Edge guide (30mm)	54, 56, 57	W	
KG-B14 Roller Ø 14mm	54	W060302001 Oil can small (empty)	48
KG-BZ Edge guide (24mm)	54	W060401017 Screw Driver L	48
KG-S04 Roller Ø 4mm	54	W060401023 Screw Driver S	48
KG-S11 Roller Ø 11mm	54		
P			
P-K 20 Pedal for electric height adjustable stand (Option)	64		
P-K 40 Pedal for electric height adjustable stand for sitting or standing operation (Option)	64		
Q			
QT0000044 Safety Sticker	60		
R			
Roller bearing K18x22x13	36		
S			



VETRON TYPICAL EUROPE GmbH
Clara-Immerwahr-Str. 6
67661 Kaiserslautern, Germany
Tel.: +49 6301 320 75-0
Fax: +49 6301 320 75-11

E-mail: info@vetrontypical.com
www.vetrontypical.com