



# TYPICAL

---

## GC6760MD3/EP

SPECIAL PARTS

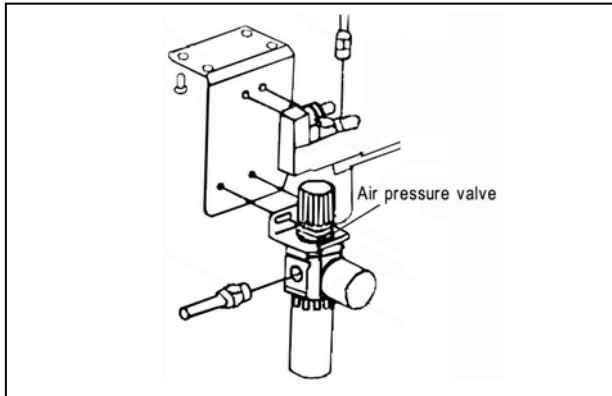
---

XI'AN TYPICAL INDUSTRIES CO.,LTD.

## ADJUSTMENT INSTRUCTIONS OF ELECTRONIC PULLER DEVICE

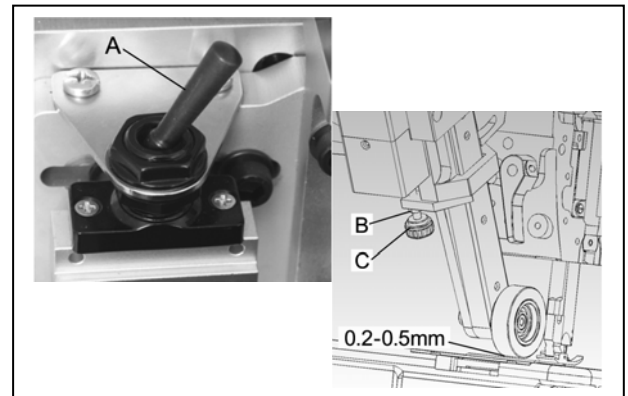
### 1. Prepare for operation

Check the air supply system before operation, the air pressure in the work area is adjusted to 0.4Mpa through the air pressure valve. It can be detected whether the proper working air pressure has been adjusted on the barometer. It can be adjusted by the pressure valve if necessary.



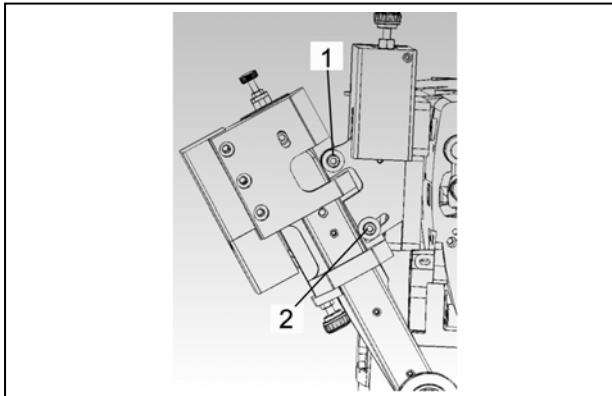
### 2. Wheel height adjustment

Pull pneumatic valve A, put the wheel in low position. Adjust limit screw C of the wheel. Adjust the gap between the upper and lower wheel by 0.2 - 0.5mm according to the thickness of the sewing material, and then tighten the nut B.



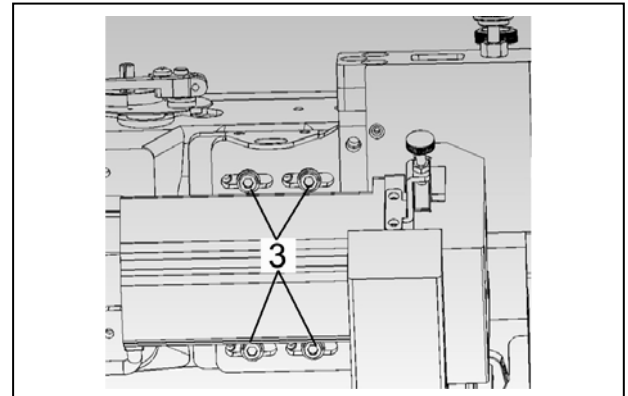
### 3. Front and rear direction adjustment

Loosen the screws 1 and 2, and rotate the puller device back and forth to ensure that the center of the upper wheel and the lower wheel are aligned.



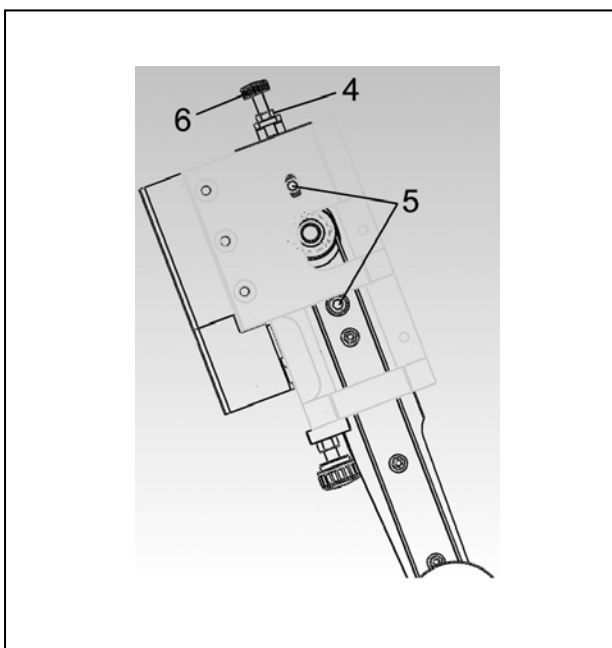
### 4. Left and right direction adjustment

Loosen the screw 3 and move the puller device left and right. Confirm the left and right positions of the wheel. Tighten the screw 3.



### 5. Timing belt adjustment:

When the timing belt tension becomes smaller, loosen nut 4 & screw 5, turn the plastic head screw 6. Adjust the timing belt slightly, confirm the tension by hand, tighten screw 5 and nut 4.

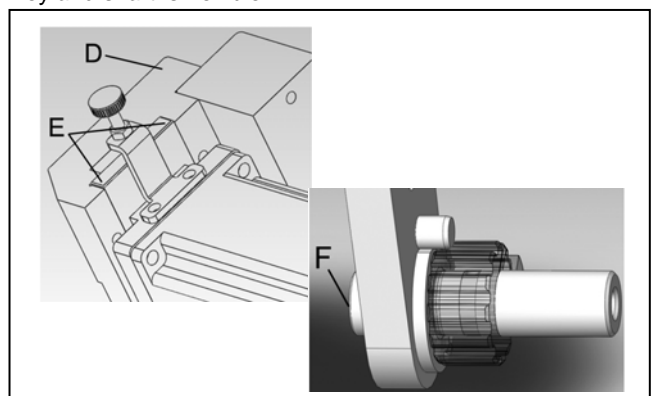


### 6. Add grease to the puller mechanism:

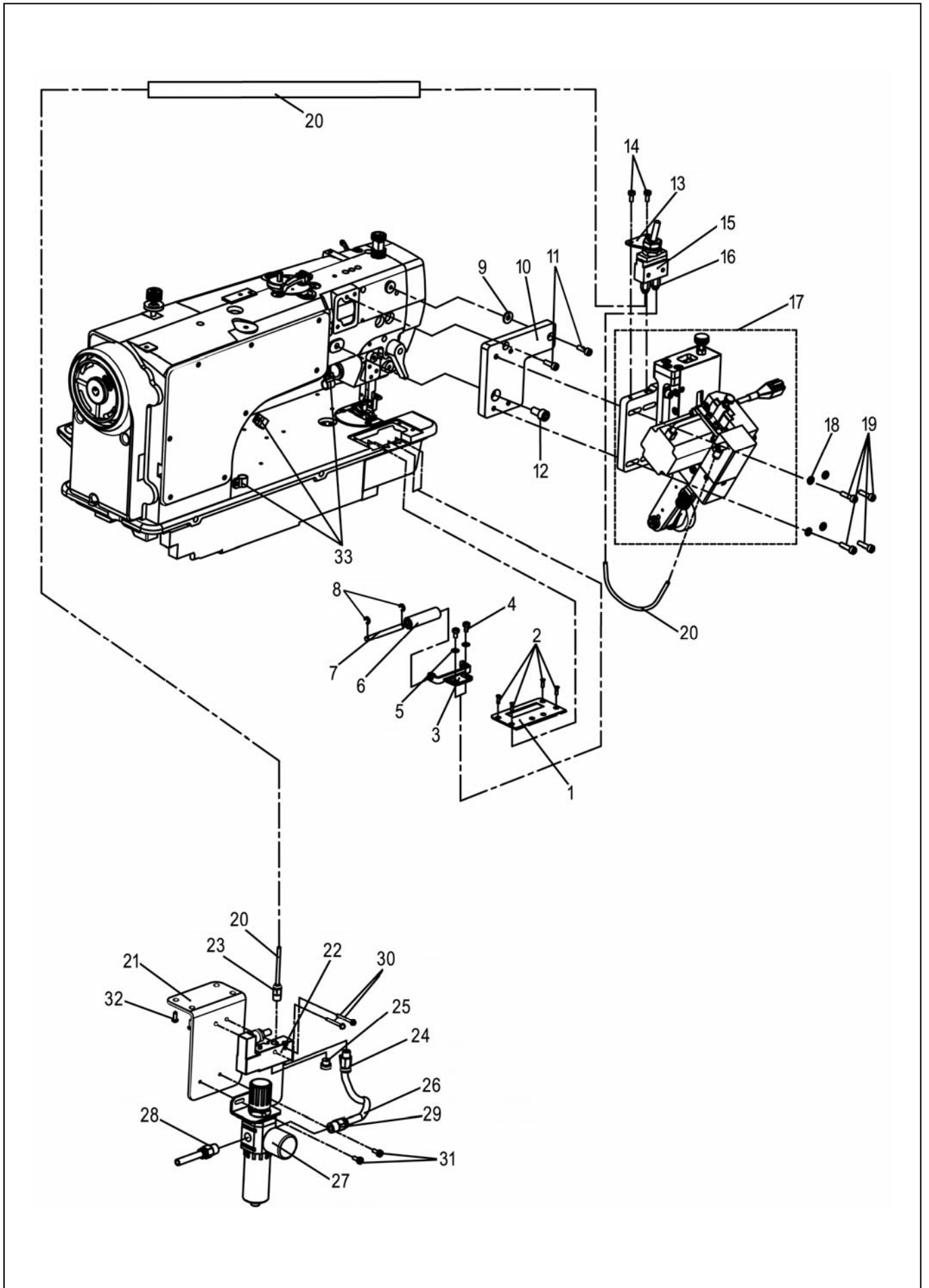
Grease is regularly added to the parts of the puller mechanism, as follows :

1 ) Guide movement plane: After using the puller mechanism for one month, remove the bracket D, clean the sliding surface E, add grease evenly, and ensure flexible movement up and down.

2 ) Lower timing belt pulley matching surface: After using the puller mechanism for 2 weeks, remove the screws from the F direction. Use a syringe to inject grease from the F hole into the oil reservoir on the shaft, Ensure that the matching surface of the lower timing belt pulley and shaft is flexible.



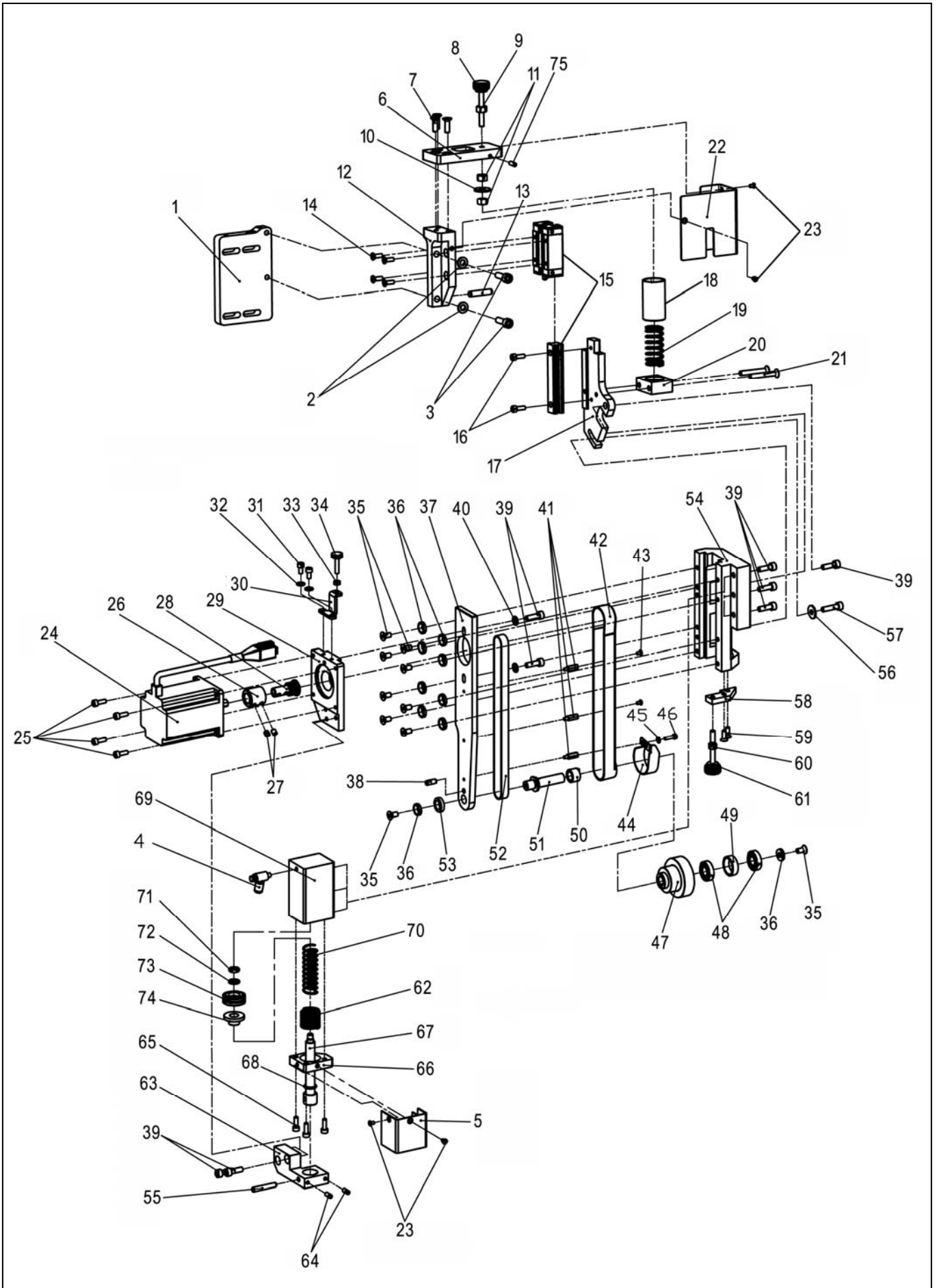
# 6760MD3/EP SPECIAL PARTS



## 6760MD3/EP SPECIAL PARTS

Item	Part number	Name	Quantity
1	217N40003	Plate	1
2	197720004	Screw SM9/64"(3.57)x40	4
3	217N32015	Holder	1
4	S150209023	Screw M4x8	2
5	B085060878	Washer 4	2
6	217N32031	Lower puller assy. ( Polyurethane )	1
7	217N32017	Shaft	1
8	B062060768	Lock washerE4	2
9	B994448007	Washer	1
10	217N40001	Plate	1
11	B092509474	Screw M5x12 GB70 - 85	2
12	S150209040	Screw M6x10 GB70 - 85	1
13	217N40002	Valve support	1
14	B040600294	Screw M4x8	2
15	S151099280	Valve	1
16	S151099161	Joint APC4 - M5	2
17	217N40300	Puller assy.	1
18	S150209121	Screw M5x20 GB70 - 85	4
19	110200005	Washer	4
20	S151099022	Pipe $\phi$ 4	2
21	217N4F001	Mounting rack	1
22	217N40200	Solenoid valve	1
23	S151099270	Joint X - APC401	1
24	S151099271	Joint X - APC601	1
25	S151099272	Noise - insulating plate X - BSL01	1
26	S151099254	Pipe $\phi$ 6	1
27	S151099109	Filter pressure regulating valve GFR200 - 08 - M - F1	1
28	S151099159	APC8 - 02	1
29	159R80003	Joint APC602	1
30	S150209211	Screw M3x22	2
31	B048600494	Screw M4X6	2
32	S150229001	Tapping screw 5x20	4
33	S151099004	Small thread clamp UC - 1	3

# 6760MD3/EP SPECIAL PARTS



## 6760MD3/EP SPECIAL PARTS

Item	Part number	Name	Quantity
1	217N40301	Plate of puller	1
2	S150622051	Washer 6.6	2
3	S150209123	Hexagon screw M6X20	2
4	S151099145	ASL4 - M5 One - way throttle valve	1
5	217N40302	Cover	1
6	559303511	Plate	1
7	S150232179	Countersunk hexagon screw M5 x 16	3
8	S151204237	Button M6 - 45	1
9	S150513002	Hexagon nut M6	1
10	S150610007	Washer 6.4	1
11	S150505013	Hexagon nut M6	2
12	559303410	Mounting bracket	1
13	S150412015	Bolt 6 x 28	1
14	S150232188	Countersunk hexagon screw M4X14	4
15	217N40313	Linear guide components EGH15CA	1
16	S150232152	Hexagon screw M4 x 12	2
17	217N40307	Plate	1
18	559303911	Pipe sleeve	1
19	S151204236	Spring D - 247D - 05	1
20	559303810	Spring plate	1
21	S150232178	Countersunk hexagon screw M5 x 35	2
22	559303611	Cover	1
23	S150232066	Countersink screw M3X5	4
24	237400023	Puller motor	1
25	S150232152	Hexagon screw M4 x 12	4
26	217N40314	Coupling	1
27	S150232031	Screw M5 x 6	2
28	217N40322	Timing belt pulley	1
29	217N40308	Plate of puller motor	1
30	217N40311	Belt tensioning support	1
31	S150232042	Hexagon screw M4 x 8	2
32	S150622011	Washer 4 x 8 x 1	2
33	S150513001	Nut M4	1
34	S151099283	Screw M4x20	1
35	S150232015	Hexagon socket countersunk screws M5x10	10
36	559201311	Washer	10
37	217N40305	Plate	1
38	S150412016	Bolt 5X12	1
39	S150232072	Hexagon screw M5 x 16	8
40	S150607018	Washer 5.3	2
41	559901310	Screw 6 hole M3X12	3
42	217N40319	Cover	1
43	S150211007	Screw M3x8	2
44	217N40312	Dam - board	1
45	S150622028	Screw 3 x 6 x 1	1

## 6760MD3/EP SPECIAL PARTS

Item	Part number	Name	Quantity
46	S150232156	Screw M3 x 10	1
47	217N40303	Convex roller	1
48	S150899048	Bearing 61900 - ZZ	2
49	559259011	Bushing	1
50	217N40323	Timing belt pulley	1
51	558400007	Shaft	1
52	217N40324	Timing belt 3MGT3x408x9	1
53	559267311	Washer of puller	1
54	217N40306	Puller holder	1
55	S150412012	Bolt 5x30	1
56	S150622050	Washer 5.3	1
57	S150209121	Screw M5X20	1
58	217N40309	Height limit plate	1
59	S150232139	Hexagon socket countersunk screws M4x12	2
60	S150513003	Nut M5	1
61	559178039	Knurled screw	1
62	559262910	Spring D - 209	1
63	559266311	Cylinder joint	1
64	S150232113	Screw M4 x 10	2
65	S150232152	Hexagon screw M4 x 12	3
66	559266411	Cylinder cover	1
67	559266111	Cylinder shaft	1
68	S150622078	O - ring 10 x 3 NBR 70	1
69	559266610	Pneumatic cylinder	1
70	559267710	Spring D - 206G	1
71	S150513002	M6 Nut	1
72	S150622003	Washer 6,4	1
73	S151204235	Cylinder piston NADUOP025X07,0X8,0 NBR 708	1
74	559266811	Coil spring tray	1
75	S150232102	Screw M4 x 6	1

- Besides adjusting stitch, please laypeople don't debug or maintain.
- Parts are subject to changes in design without prior notice.

**XI'AN TYPICAL INDUSTRIES CO.,LTD.**

---

Add: No. 335 Taibai South Road,  
Xi'an, P.R. China-710068  
Tel: +86-29-88279091 88279150  
Fax: +86-29-88279715 88275215  
E-mail: typical@chinatypical.com  
[Http://www.chinatypical.com](http://www.chinatypical.com)  
[Http://www.chinatypical.com](http://www.chinatypical.com)