

# TW1-898/-D2 TW2-898/D2

PARTSLIST



HIGH SPEED COMPOUND FEED AND  
WALKING FOOT LOCKSTITCH SEWING MACHINE

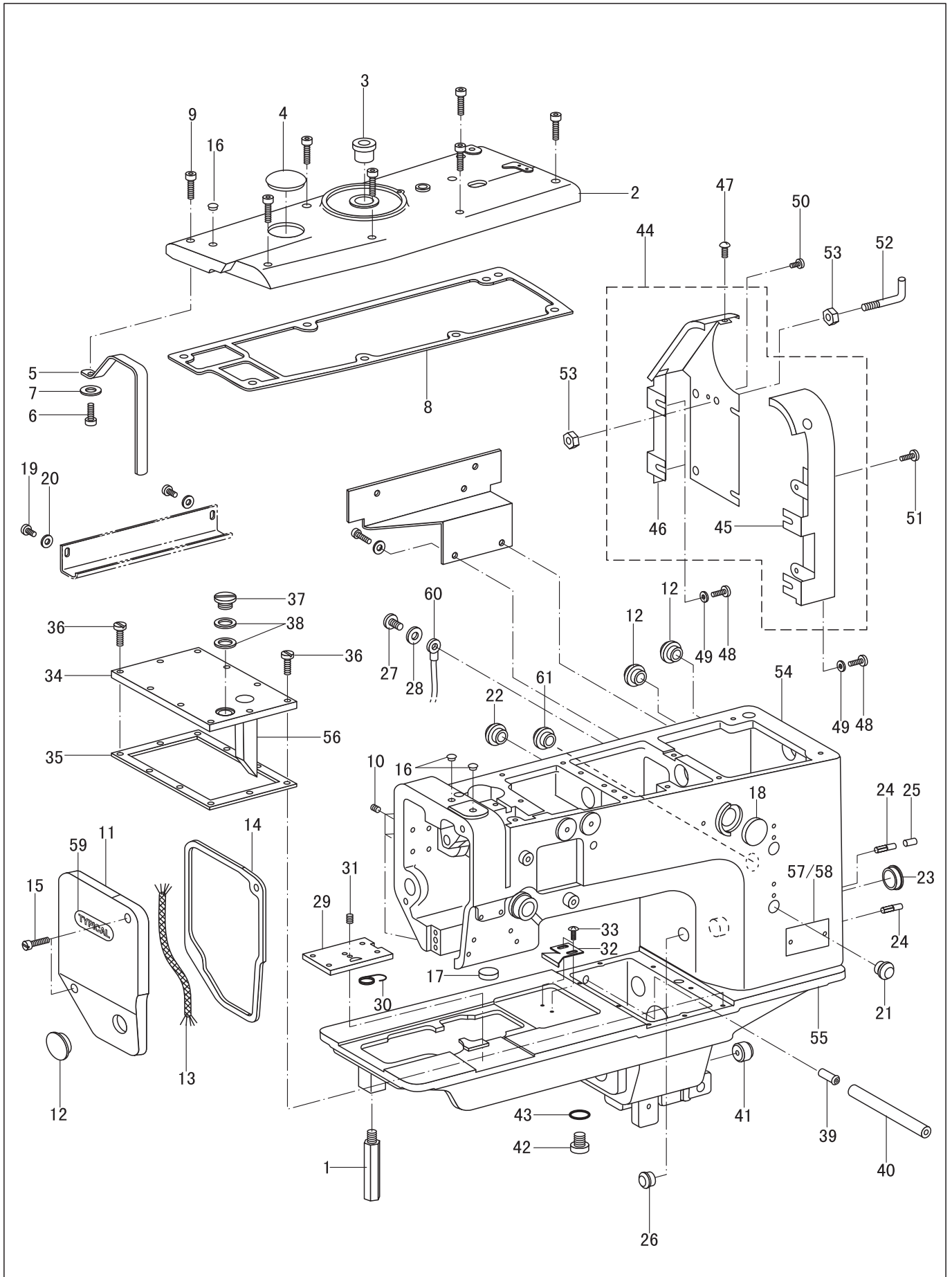
**TYPICAL**



# CONTENTS

1. Machine body	1-2
2. Upper shaft mechanism	3-4
3. Upper feed mechanism	5
4. Quick reverse mechanism	6
5. Needle bar and thread take-up mechanism	7-10
6. Presser bar mechanism	11-12
7. Feed mechanism	13-14
8. Presser foot adjusting mechanism	15-16
9. Alternating presser foot lifter mechanism	17
10. Quick reverse mechanism	18
11. Upper feed mechanism	19-20
12. Lower feed shaft mechanism	21-22
13. Needle plate, presser foot	23-25
14. Rotary hook shaft timing mechanism	26-29
15. Lower shaft mechanism	30-31
16. Lubrication mechanism	32-35
17. Bobbin winder mechanism	36-37
18. Tension release mechanism	38
19. Thread trimmer mechanism	39-42
20. Thread tension mechanism	43-46
21. Manual switch mechanism	47
22. Air presser mechanism	48
23. Presser foot actuator mechanism	49
24. Accessories	50-51

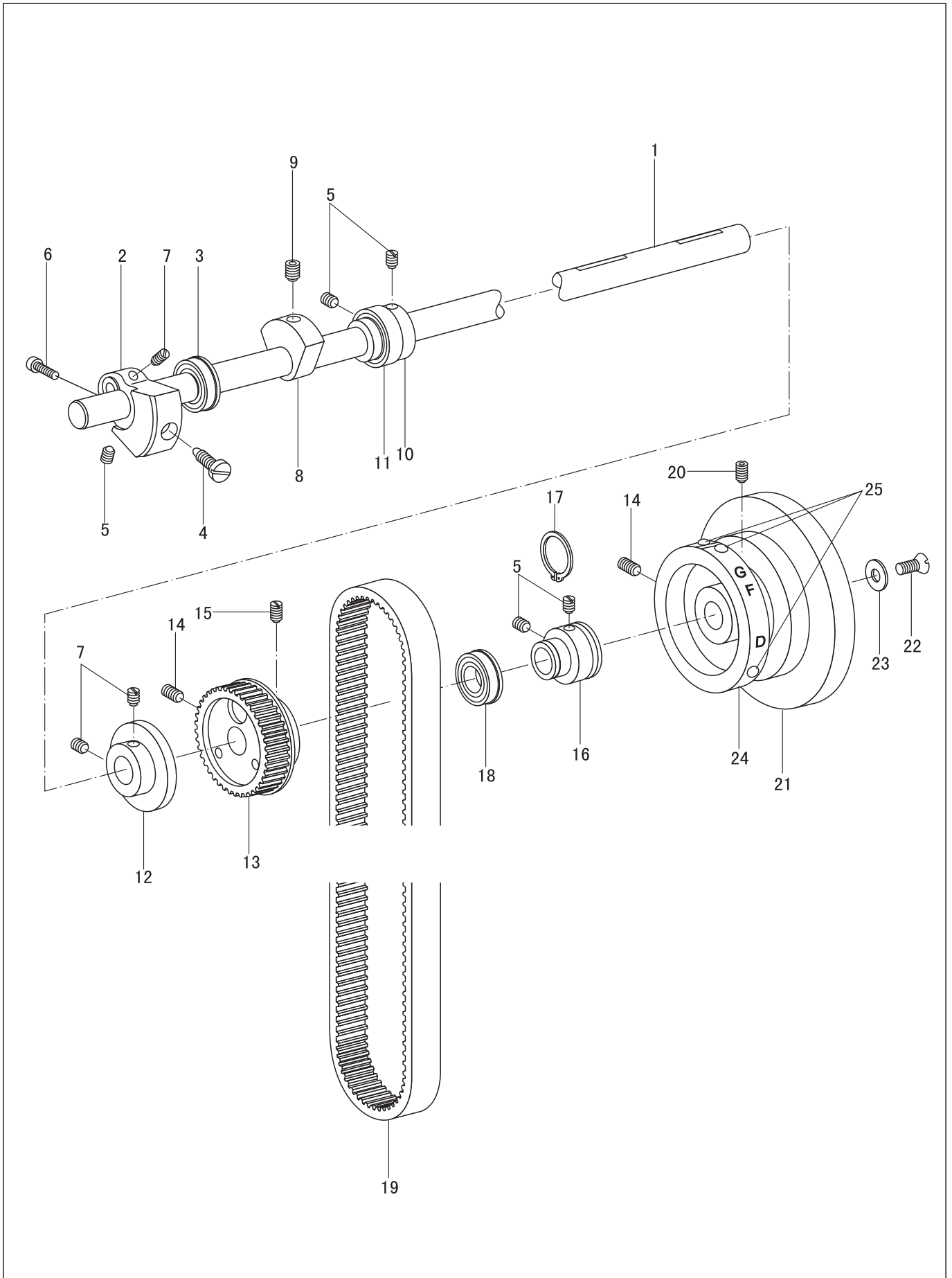
# 1. Machine body



# 1. Machine body

NO.	PARTS NO.	PARTS NAME	QTY		REMARK
			TW1-898	TW1-898-D2	
1	93WF1-021	Support bar	1	1	
2	93WF1-022	Top cover	1	1	
3	93WF1-001	Dial bushing	1	1	
4	93WF1-002	Rubber cap, 32.8	1	1	
5	93WF1-023	Thread take-up lever cover	1	1	
6	93WF1-024	Bolt	1	1	
7		Washer	1	1	
8	93WF1-003	Sheet packing	1	1	GB/T 97.1 4
9	93WF1-026	Bolt	7	7	
10	93WF1-027	Set screw	4	4	
11	93WF1-028	Face plate	1	1	
12	93WF1-004	Rubber cap, 20.5	2	2	
13		Oil wick	1	1	
14	93WF1-005	Packing	1	1	130mm
15	93WF1-029	Bolt	2	2	
16	93WF1-006	Rubber cap, 9.5	3	3	
17	93WF1-007	Rubber cap	1	1	
18	93WF1-008	Oil window	1	1	
19	13WF1-008	Screw	-	2	
20	93WF1-009	Washer	-	2	SM9/64" ×40
21	93WF1-049	Rubber cap	1	-	
22	93WF1-048	Rubber cap	1	-	
23	93WF1-010	Bushing	2	2	
24	2KT3-006	Pin	2	2	
25	2KT3-007	Nylon tube	1	1	140063-0
26	93WF1-11	Rubber cap, 10.5	1	1	153132-0
27		Screw	-	1	
28		Washer	-	1	GB/T 818 M4×6
29	93WF1-032	Slide plate	1	1	GB/T 97.1 4
30	93WF1-012	Spring	1	1	
31		Set screw	1	1	
32	93WF1-013	Stopper	1	1	GB/T 77 M4×5
33	1WF1-026	Screw	2	2	
34	93WF1-034	Upper cover assy	1	1	SM9/64" ×40
35	93WF1-014	Sheet packing	1	1	
36	93WF1-024	Bolt	10	10	
37	93WF1-015	Screw	1	1	
38	93WF1-016	Packing	2	2	
39	93WF1-017	Pipe	1	1	
40		Tube	1	1	
41	93WF1-018	Oil cap	1	1	L=120
42	93WF1-019	Screw	1	1	
43		O-ring	1	1	
44		Belt cover set	1	1	6.9×1.8A GB 3452.1
45	93WF1-037	Belt cover, L	1	1	
46	93WF1-038	Belt cover, R	1	1	
47	93WF1-058	Screw	1	1	
48		Bolt	4	4	
49		Washer	4	4	GB/T 70.1 M6×10
50		Screw	1	1	GB/T 97.1 6
51	93WF1-059	Screw	2	2	GB/T 65 M4×5
52	93WF1-020	Supporting rod	-	1	
53		Nut	-	2	
54	93WF1-046	Machine boy	1	1	GB/T 6172 M6
55	93WF1-047	Machine bed	1	1	
56	93WF1-050	Oil gauge	1	1	
57	93WF1-056	Model label	1	-	
	117WF1-001	Model label	-	1	
58	93WF1-057	Model label	1	-	
	117WF1-002	Model label	-	1	
59	93WF1-052	Brand label	1	1	
60	117WF1-006	Ground wire	-	1	
61	93WF1-048	Rubber plug	1	-	

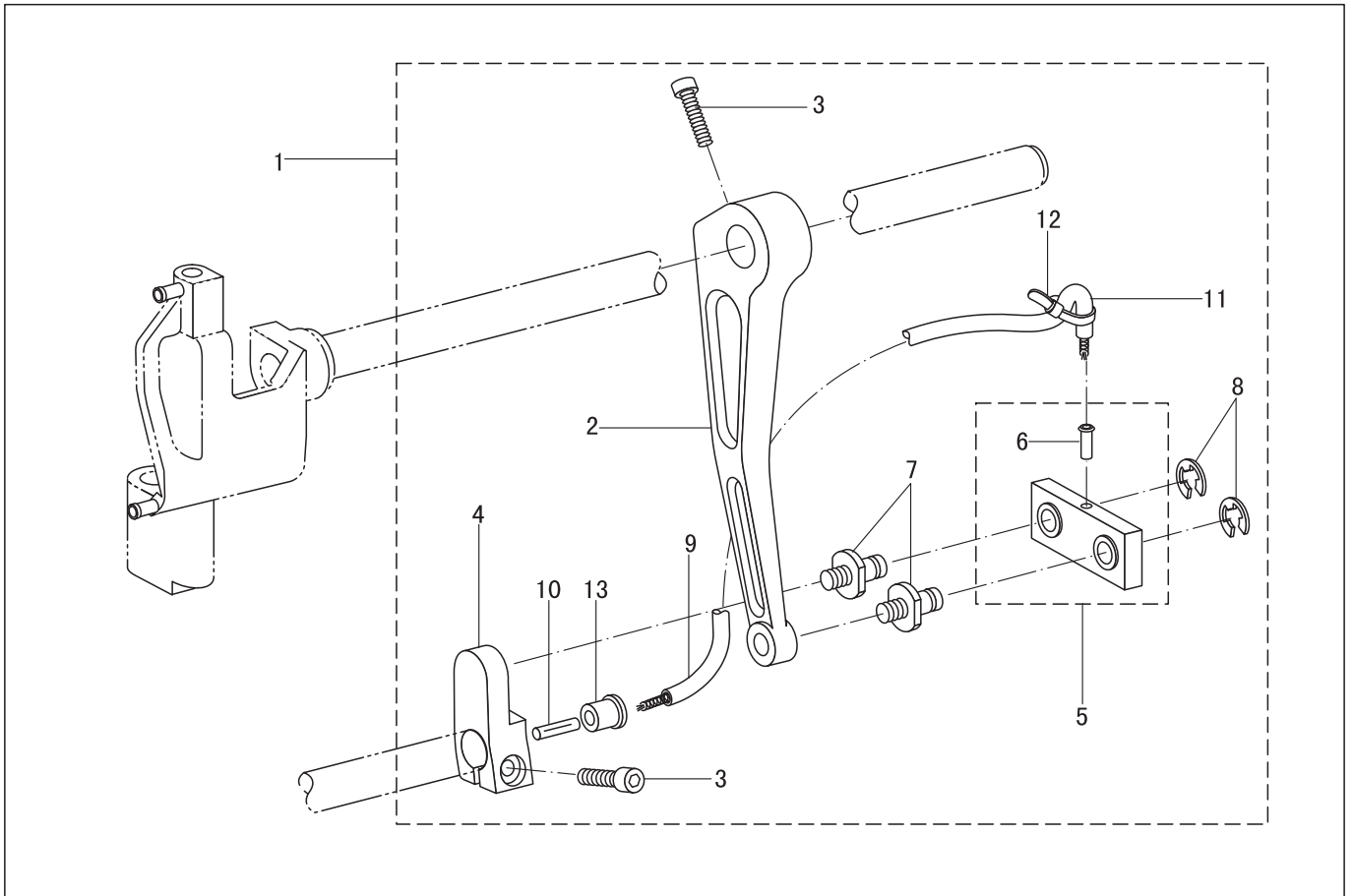
## 2. Upper shaft mechanism



## 2. Upper shaft mechanism

NO.	PARTS NO.	PARTS NAME	QTY		REMARK
			TW1-898	TW1-898-D2	
1	93WF2-004	Upper shaft	1	1	
2	93WF2-005	Crank motion cam	1	1	
3		Bearing, upper shaft	1	1	
4	93WF2-001	Screw	1	1	
5	93WF1-027	Set screw	5	5	
6	93WF1-026	Bolt	2	2	
7	93WF2-008	Set screw	3	3	6204-2ZNR 20×47×14
8	93WF2-009	Balancer	1	1	
9		Set screw	1	1	
10	93WF2-011	Collar, middle upper shaft	1	1	
11		Bearing	1	1	
12	93WF2-013	Collar, bobbin winder	1	1	
13	93WF2-002	Upper belt pulley	1	1	GB/T 80 M8×12
14	93WF2-014	Set screw	2	2	
15	93WF2-015	Set screw	1	1	62/22-2Z 22×50×14
16	93WF2-016	Collar, back upper shaft	1	1	
17		Retaining ring	1	1	
18		Bearing	1	1	
19	93WF2-003	Timing belt	1	1	
20	93WF2-014	Set screw	1	1	
21	93WF2-020	Machine pulley	1	1	GB 894.2 20
22	13WF1-051	Screw	1	1	6.34-2ZNR 20×52×15
23	13WF1-050	Washer	1	1	
24	93WF2-021	Rotation gauge	1	1	
25	661118	Rivet	3	3	

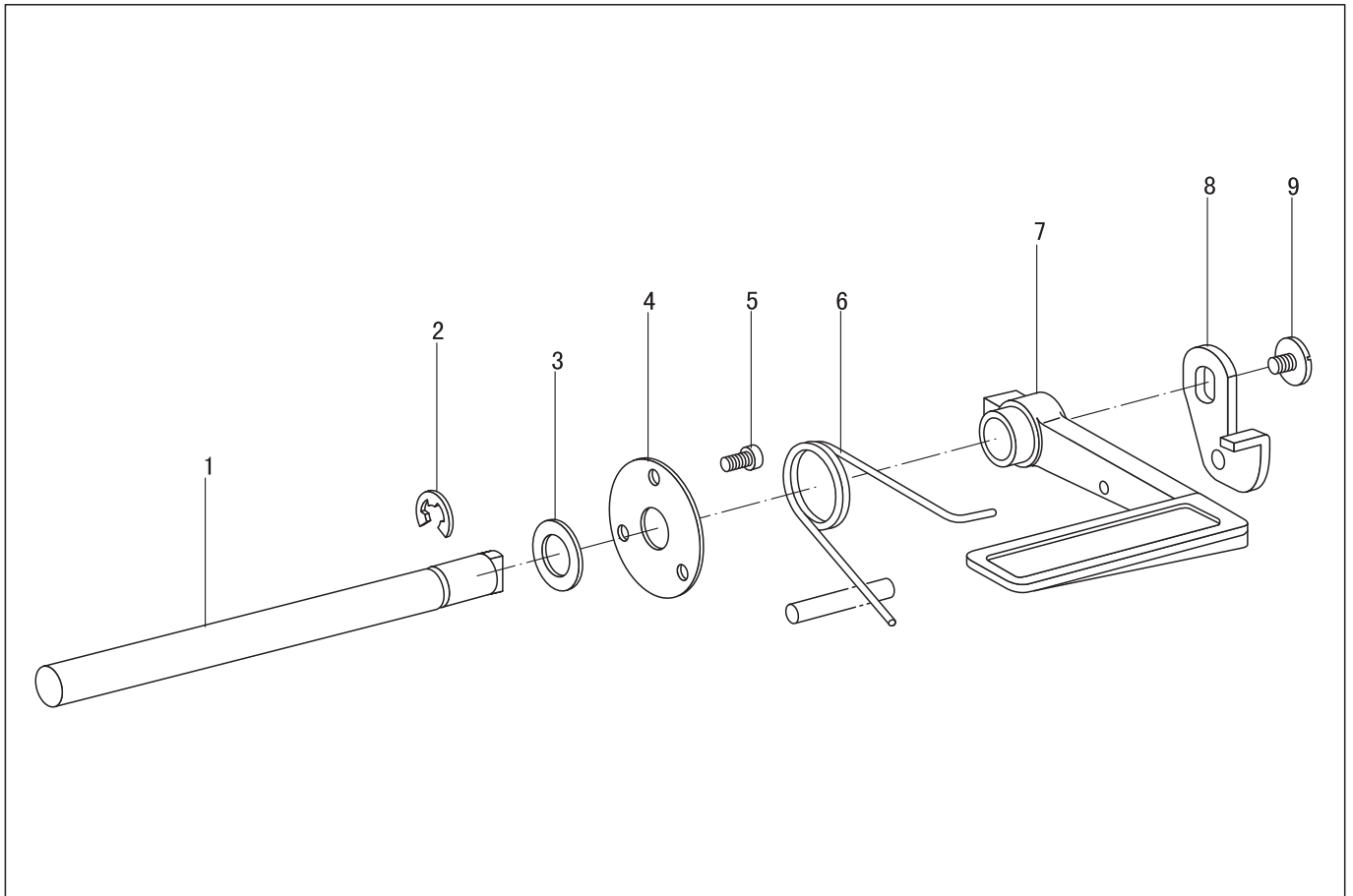
### 3. Upper feed mechanism



NO.	PARTS NO.	PARTS NAME	QTY	REMARK
			TW1-898-D2	
1	93WF3-003	Upper feed connecting rod assy	1	
2	93WF3-004	Upper feed connecting rod	1	
3	93WF3-005	Bolt	2	
4	93WF3-006	Connecting lever	1	
5	93WF3-007	Upper feed connection assy	1	
6	93WF3-001	Pipe	1	
7	93WF3-002	Shoulder screw	2	
8		Retaining ring	2	GB 896 8
9		Tube	1	L=250
10		Felt	1	3×8
11		Oil wick	1	L=170
12	258753	Fastening band	1	
13	93WF3-010	Rubber cap	1	

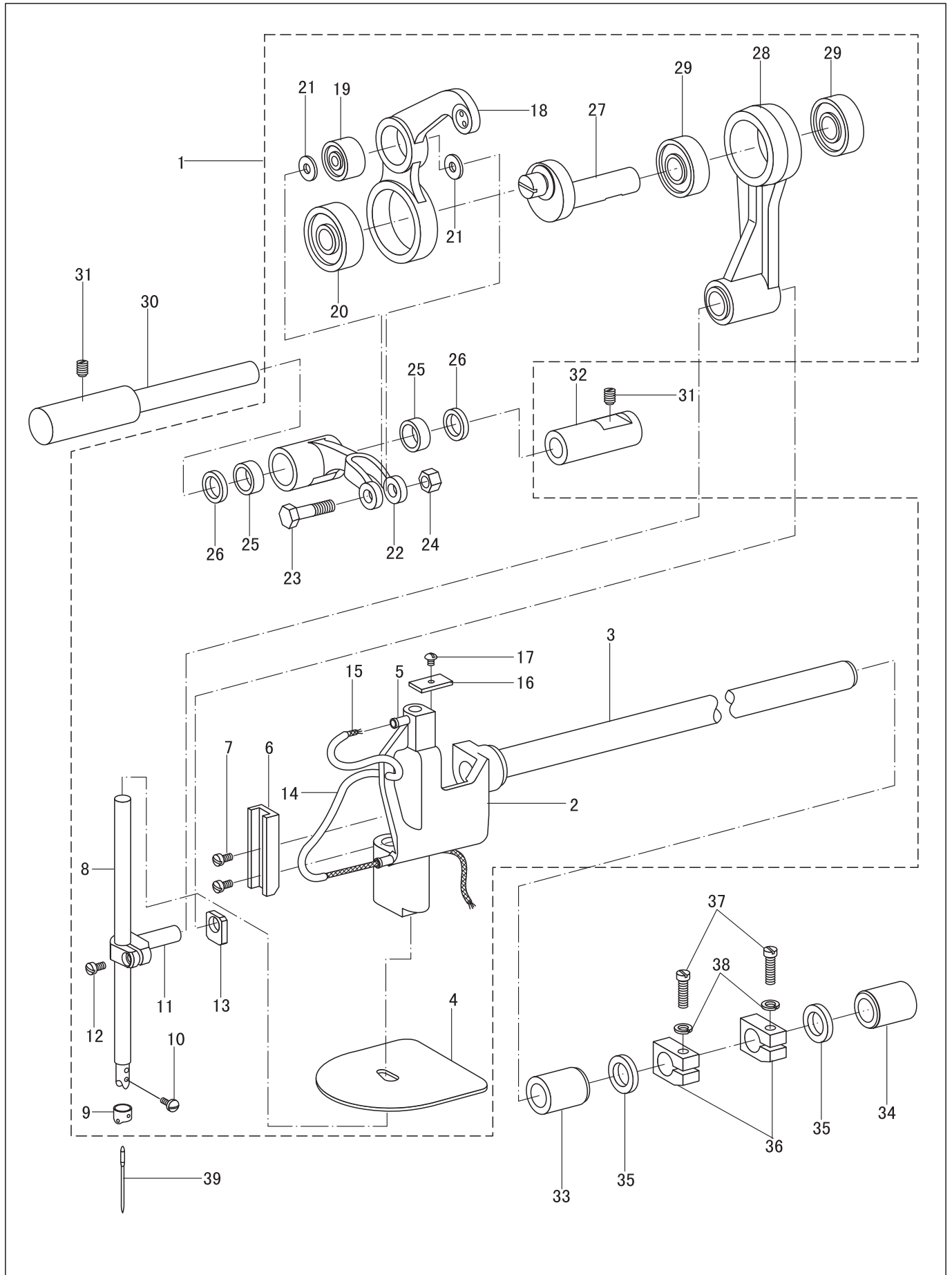


## 4. Quick reverse mechanism



NO.	PARTS NO.	PARTS NAME	QTY		REMARK
			TW1-898	TW1-898-D2	
1	93WF4-003	Shaft, Reverse stitching lever	1	1	
2	93WF4-004	Retaining ring	1	1	
3	93WF4-001	Washer	1	1	
4	93WF4-002	Spacer	1	1	
5		Bolt	3	3	GB/T 70.1 M4×6
6	21WF3-043	Spring	1	1	
7	62WF-003	Reverse stitching lever	1	1	
8	62WF5-024E	Reverse stitching lever plate	1	1	
9	2KT3-005	Screw	1	-	100511-003

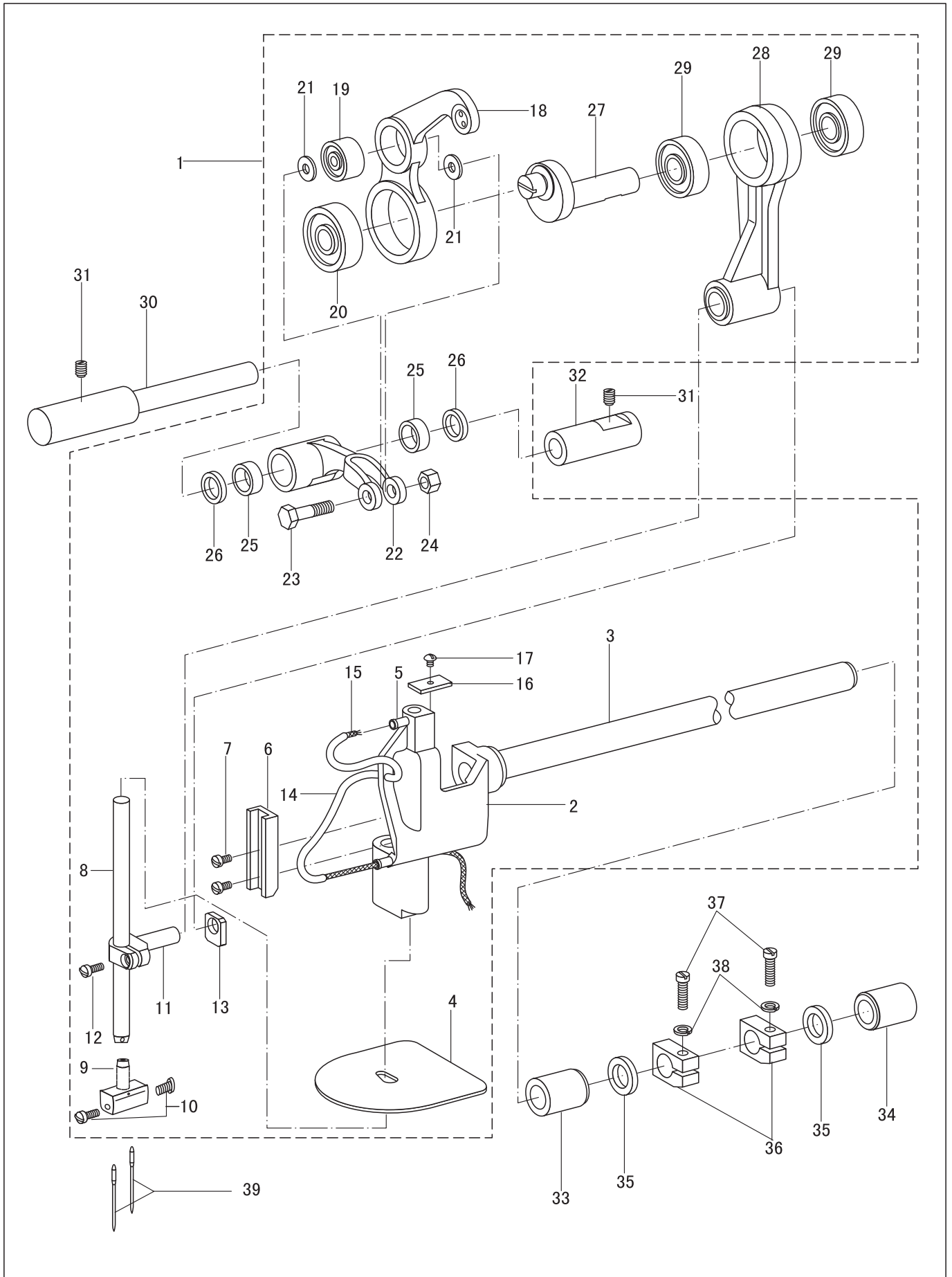
# 5. Needle bar and thread take-up mechanism



## 5. Needle bar and thread take-up mechanism

NO.	PARTS NO.	PARTS NAME	QTY		REMARK
			TW1-898	TW1-898-D2	
1		Needle bar bracket assy	1	1	
2	93WF5-010	Needle bar bracket	1	1	
3	93WF5-011	Needle bar bracket shaft	1	1	
4	93WF5-001	Rubber sheet	2	2	
5	93WF3-001	Pin	1	1	
6	93WF5-012	Guide rail	2	2	
7	491115	Screw	1	1	
8	93WF5-014	Needle bar	1	1	
9	93WF5-002	Thread guide, N-bar	1	1	
10	17WF5-037	Set screw	1	1	
11	93WF5-015	Needle bar clamp	1	1	
12	13WF3-018	Screw	1	1	
13	93WF5-016	Slide block, N-bar clamp	1	1	
14		Oil tube	1	1	L=110
15		Oil wick	1	1	L=700
16	93WF5-003	Sponge	1	1	
17		Screw	1	1	GB/T 65 M4×6
18	93WF5-018	Thread take-up lever complete	1	1	
19		Bearing, S, T-take-up	1	1	80024 4×13×5
20		Bearing, L, T-take-up	1	1	80018 8×14×10
21		Washer, T-take-up	2	2	GB/97.1 4
22	93WF5-022	Thread take-up support	1	1	
23	93WF5-023	Support screw	1	1	
24		Nut	1	1	GB/T 6170 M4
25		Needle roller bearing	2	2	29241/7 7×10×8
26	93WF5-004	Support ring	2	2	
27	93WF5-026	Crank	1	1	
28	93WF5-027	Needle bar crank rod assy	1	1	
29		Bearing	2	2	698-2Z 8×19×6
30	93WF5-029	Pin, T-take-up	1	1	
31	93WF5-030	Set screw	2	2	
32	93WF5-005	Bushing, T-take-up pin	1	1	
33	93WF5-006	Bushing	1	1	
34	93WF5-007	Bushing	1	1	
35	93WF5-008	Ring	2	2	
36	93WF5-031	Collar	2	2	
37	93WF1-029	Bolt	2	2	
38		Washer, spring	2	2	GB 859 5
39		Needle	1	1	DP×17 22#

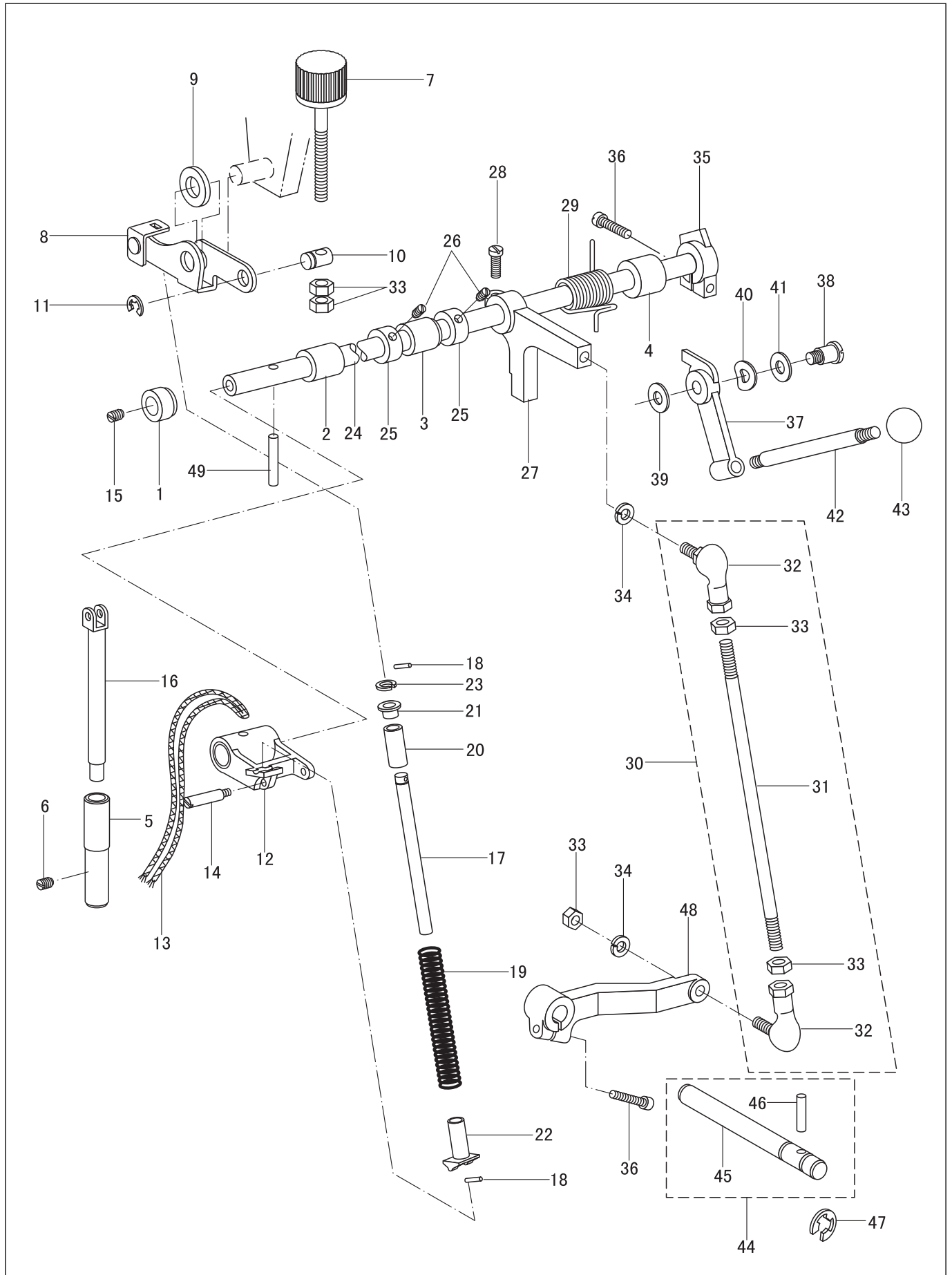
# 5. Needle bar and thread take-up mechanism (TW2-898-D2)



## 5. Needle bar and thread take-up mechanism (TW2-898-D2)

NO.	PARTS NO.	PARTS NAME	QTY			REMARK
			TW1-898	TW1-898-D2	TW2-898-D2	
1		Needle bar bracket assy	1	1	1	
2	93WF5-010	Needle bar bracket	1	1	1	
3	93WF5-011	Needle bar bracket shaft	1	1	1	
4	93WF5-001	Rubber sheet	1	1	1	
5	93WF3-001	Pin	2	2	2	
6	93WF5-012	Guide rail	1	1	1	
7	93WF5-013	Screw	2	2	2	
8	179WF5-001	Needle bar	-	-	1	
9	193WF13-001e	Needle clamp	-	-	1	
10	179WF5-004	Set screw	-	-	2	
11	93WF5-015	Needle bar connector	1	1	1	
12	13WF3-018	Screw	1	1	1	
13	93WF5-016	Slide block, N-bar clamp	1	1	1	
14		Oil tube	1	1	1	L=110
15		Oil wick	1	1	1	L=700
16	93WF5-003	Sponge	1	1	1	
17		Screw	1	1	1	GB/T 65 M4×6
18	93WF5-018	Thread take-up lever complete	1	1	1	
19		Bearing, S, T-take-up	1	1	1	80024 4×13×5
20		Bearing, L, T-take-up	1	1	1	80018 8×14×10
21		Washer, T-take-up	2	2	2	GB/97.1 4
22	93WF5-022	Thread take-up support	1	1	1	
23	93WF5-023	Support screw	1	1	1	GB/T 6170 M4
24		Nut	1	1	1	29241/7 7×10×8
25		Needle roller bearing	2	2	2	
26	93WF5-004	Support ring	2	2	2	
27	93WF5-026	Crank	1	1	1	
28	93WF5-027	Needle bar crank rod assy	1	1	1	
29		Bearing	2	2	2	698-2Z 8×19×6
30	93WF5-029	Pin, T-take-up	1	1	1	
31	93WF5-030	Set screw	2	2	2	
32	93WF5-005	Bushing, T-take-up pin	1	1	1	
33	93WF5-006	Bushing	1	1	1	
34	93WF5-007	Bushing	1	1	1	
35	93WF5-008	Ring	2	2	2	
36	93WF5-031	Collar	2	2	2	
37		Bolt	2	2	2	GB/T 70.1 M5×16
38		Washer, spring	2	2	2	GB 859 5
39		Needle	1	1	2	DP×17 22#

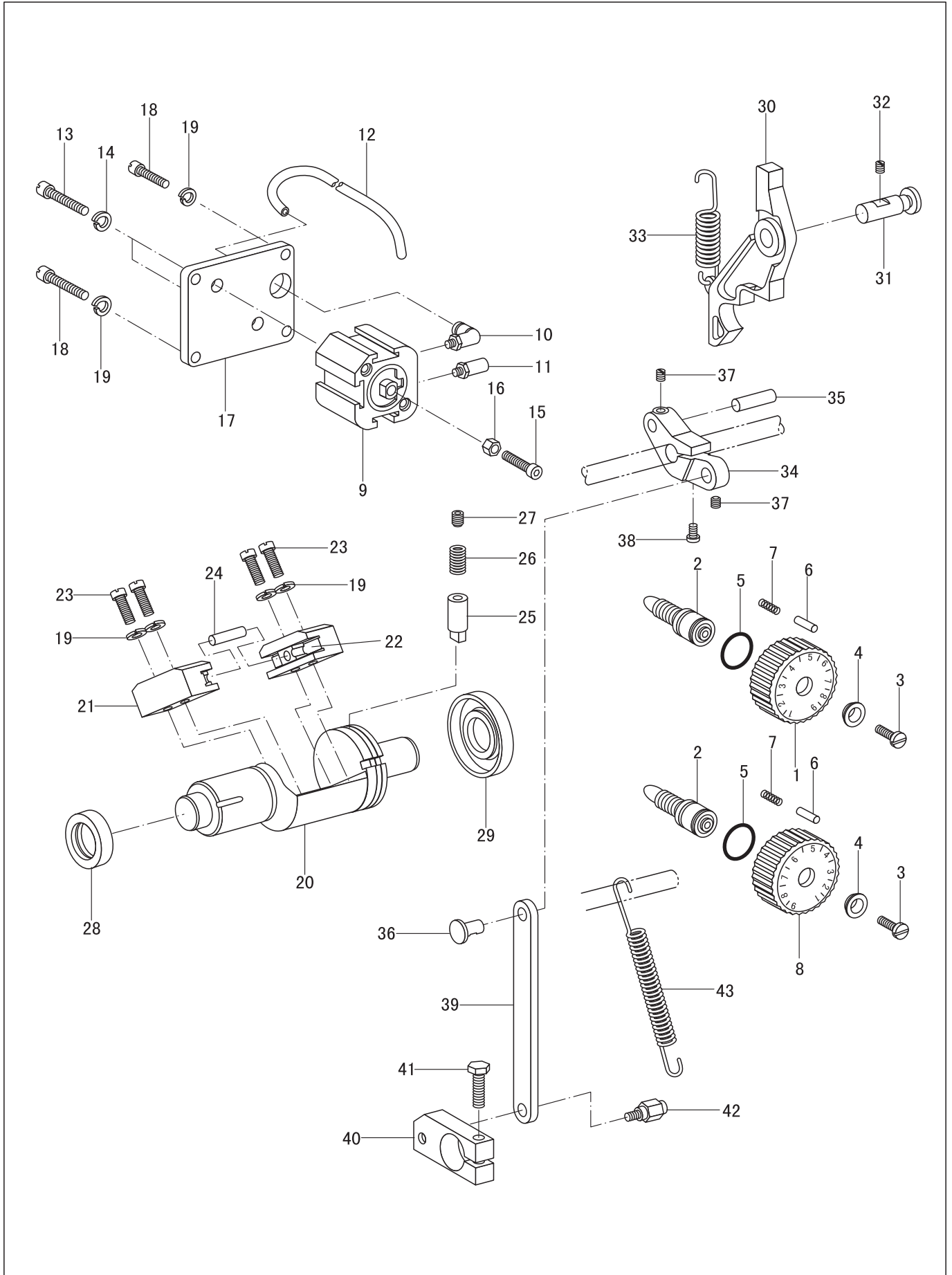
## 6. Presser bar mechanism



## 6. Presser bar mechanism

NO.	PARTS NO.	PARTS NAME	QTY		REMARK
			TW1-898	TW1-898-D2	
1	93WF6-001	Bushing A, P-foot lifter shaft	1	1	
2	93WF6-002	Bushing B	1	1	
3	93WF6-003	Bushing C, P-foot lifter shaft	1	1	
4	93WF6-004	Bushing D	1	1	
5	93WF6-021	Bushing, P-bar	1	1	
6	93WF6-030	Set screw	1	1	
7	93WF6-005	Pressure adjusting dial	1	1	
8	93WF6-022	Pressure adjusting plate assy	1	1	
9	93WF6-006	Felt	1	1	
10	93WF6-023	Pin	1	1	
11	93WF6-007	Retaining ring	1	1	
12	93WF6-024	P-foot lifter connection assy	1	1	
13		Oil wick	1	1	L=400
14	93WF6-025	Pin	1	1	
15	93WF2-015	Set screw	1	1	
16	93WF6-026	Presser bar	1	1	
17	93WF6-027	Shaft, presser bar spring	1	1	
18		Pin	2	2	GB/T 879.1 3×8
19	93WF6-008	Presser spring	1	1	
20	93WF6-009	Collar	1	1	
21	93WF6-029	Spring support, U	1	1	
22	93WF6-028	Spring support, D	1	1	
23	35WF4-005	Retaining ring	1	1	
24	93WF6-032	Presser bar lifter shaft	1	1	
25	93WF6-010	Set screw collar	2	2	
26	93WF2-008	Set screw	2	2	
27	93WF6-034	Knee lifter arm, U	1	1	
28	93WF6-035	Bolt	1	1	
29	93WF6-036	Spring	1	1	
30		K-lifter connecting bar assy			
31	93WF6-038	Knee lifter connecting bar	1	1	
32	93WF6-011A	Link ball	2	2	
33		Nut	5	5	GB/T 6172 M6
34		Retaining ring	2	2	GB 859 6
35	93WF6-041	Presser bar lifter cam, U	1	1	
36	93WF6-042	Bolt	2	2	
37	93WF6-043	Presser bar lifter cam, D	1	1	
38	93WF6-013	Shoulder screw	1	1	
39	93WF6-014	Washer	1	1	
40	93WF6-044	Washer	1	1	
41	93WF6-015	Washer	1	1	
42	93WF6-016	Presser lifter bar	1	1	
43	93WF6-017	Lever grip	1	1	
44	93WF6-045	Knee lifter shaft assy	1	1	
45	93WF6-046	Knee lifter shaft	1	1	
46	93WF6-018	Needle roller	1	1	
47	93WF6-019	Retaining ring	1	1	
48	93WF6-047	Knee lifter arm	1	1	
49	93WF6-020	Bolt	1	1	

# 7. Feed mechanism

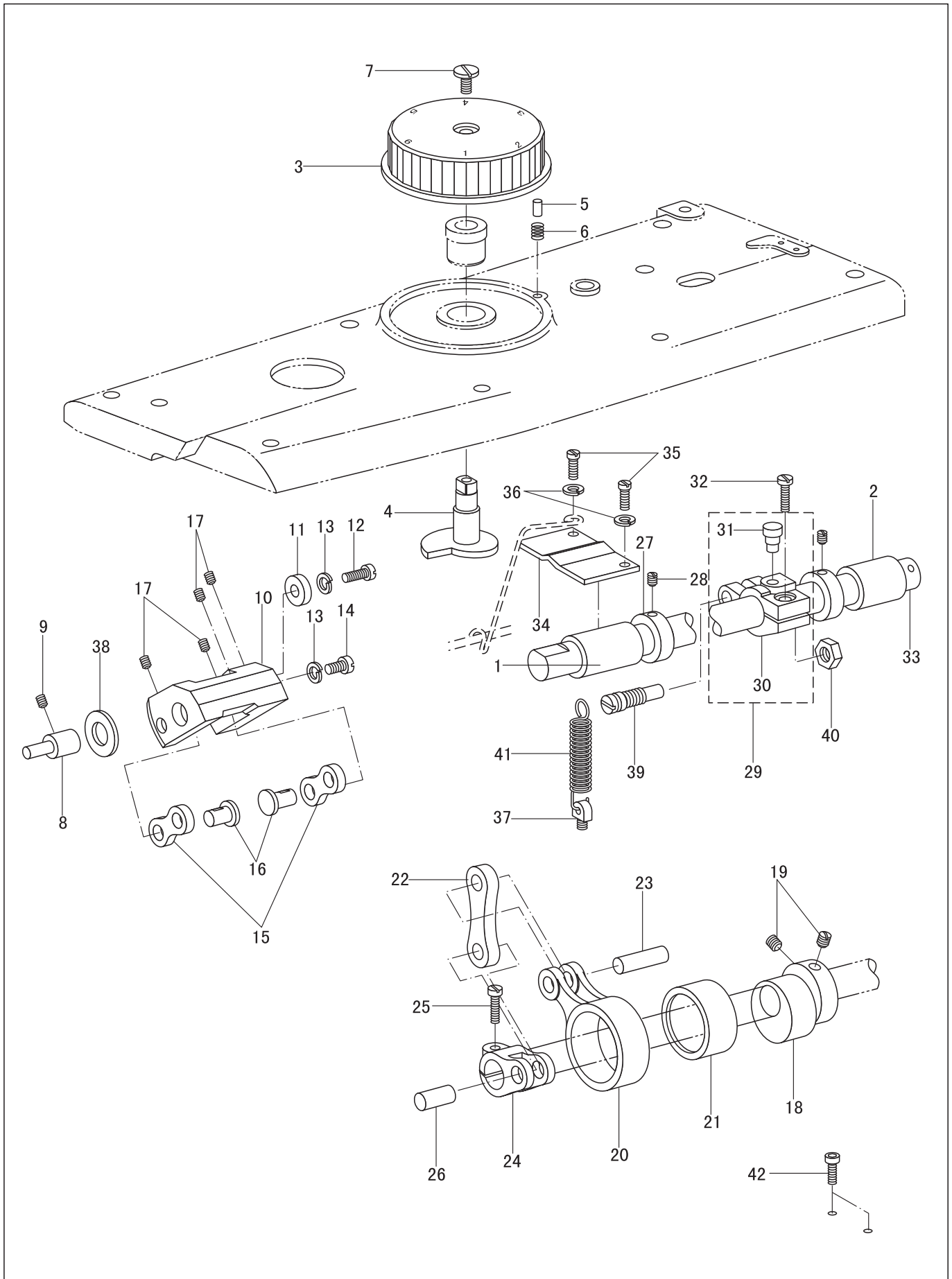




## 7. Feed mechanism

NO.	PARTS NO.	PARTS NAME	QTY		REMARK
			TW1-898	TW1-898-D2	
1	93WF7-001	Feed adjusting dial, U	1	1	
2	93WF7-005	Adjusting screw	1	2	
3	93WF7-002	Screw	1	2	
4	36T5-007D4	Bushing	1	2	
5	124T5-00A3	O ring	1	2	
6	93WF7-006	Positioning pin	1	2	
7	21WF3-046	Spring, compression	1	2	
8	93WF7-003	Feed adjusting dial, D	-	1	
9	93WF7-007	Cylinder	-	1	SDA25×10 SU045
10	93WF7-008	Joint	-	1	PL4-M5
11	93WF7-009	Silencer	-	1	BSLM-M5
12		Tube	-	1	L=1000
13	93WF7-010	Bolt	-	2	
14		Washer	-	2	GB 955 6
15	93WF3-005	Bolt	-	1	
16		Nut	-	1	GB/T 6172 M6
17	93WF7-013	Setting plate	-	1	
18	93WF7-014	Bolt	-	4	
19		Washer	-	8	GB 859 5
20	93WF7-015	Roller	1	1	
21	93WF7-016	Guide rail	2	2	
22	93WF7-017	Guide rail	2	2	
23	93WF1-029	Bolt	4	4	
24	93WF7-018	Pin	1	1	
25	93WF7-019	Cylinder guide pin	1	1	
26	93WF7-020	Spring	1	1	
27		Set screw	1	1	GB/T 77 M10×10
28	93WF7-022	Oil seal, front	1	1	20×30×7
29	93WF7-023	Oil seal, back	1	1	20×47×7
30	93WF7-024	Feed adjustment arm	1	1	
31	93WF7-025	Pin	1	1	
32	93WF1-027	Set screw	1	1	
33	93WF7-026	Spring	1	1	
34	93WF7-027	Feed adjusting lever	1	1	
35	93WF7-004	Needle roller	1	1	
36	93WF7-028	Link pin	1	1	
37	93WF7-029	Set screw	2	2	
38		Screw	1	1	GB/T 65 M5×25
39	93WF7-031	Feed adjusting connection rod	1	1	
40	93WF7-032	Connecting block	1	1	
41	93WF7-033	Bolt	1	1	
42	93WF7-034	Pin screw	1	1	
43	93WF7-035	Spring	1	1	

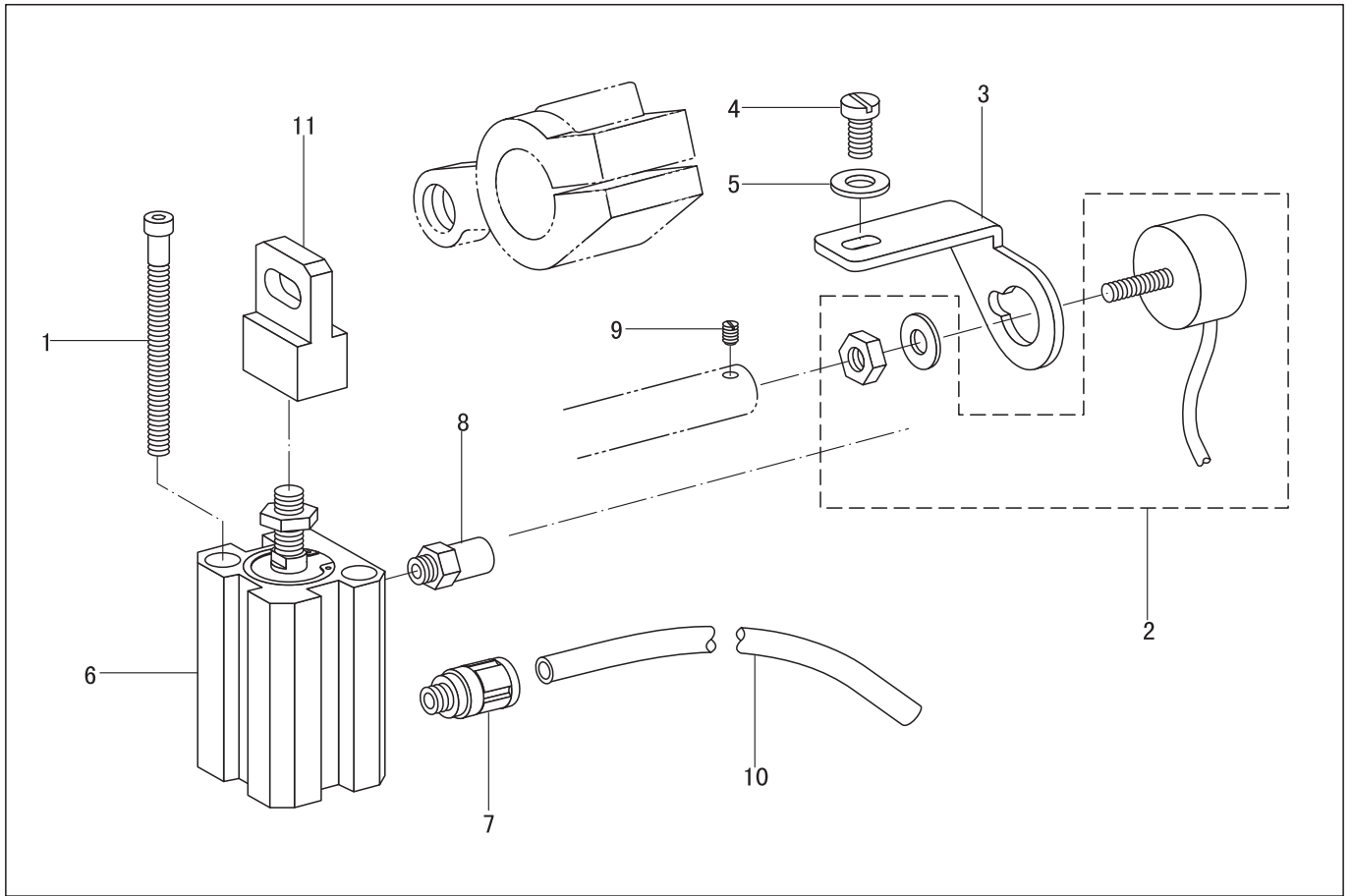
## 8. Presser foot adjusting mechanism



## 8. Presser foot adjusting mechanism

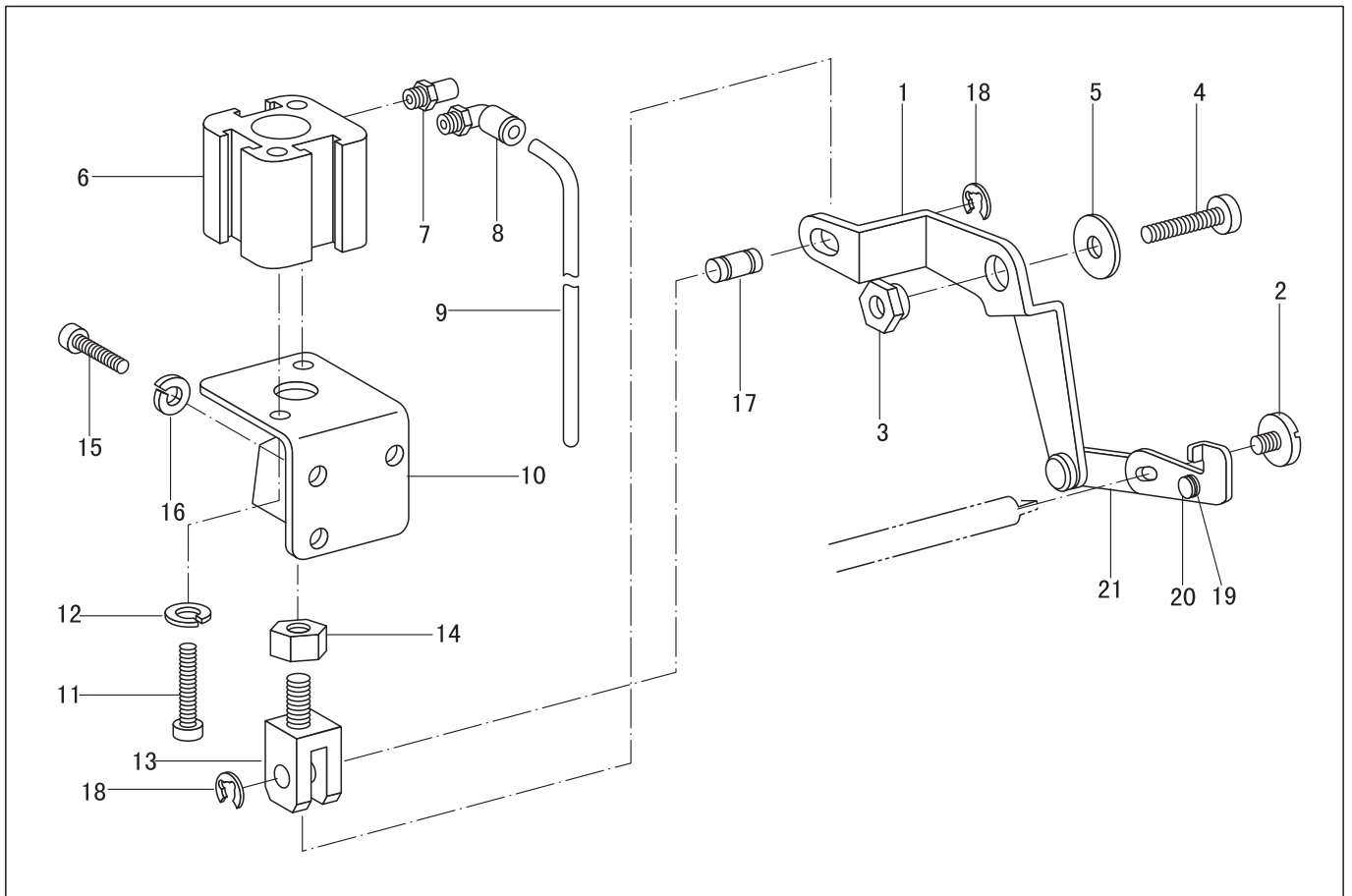
NO.	PARTS NO.	PARTS NAME	QTY		REMARK
			TW1-898	TW1-898-D2	
1	93WF8-005	Bushing, adjusting shaft	1	1	
2	93WF5-007	Bushing	1	1	
3	93WF8-001	Dial	1	1	
4	93WF8-006	Dial cam	1	1	
5	93WF8-007	Dial pin	1	1	
6	93WF8-002	Spring	1	1	
7	302395	Set screw	1	1	
8	93WF8-009	Support pin	1	1	
9	93WF5-030	Set screw	1	1	
10	93WF8-010	Adjusting bracket	1	1	
11	93WF8-011	Adjusting bracket collar	1	1	
12	93WF1-026	Bolt	1	1	
13		Washer, spring	2	2	GB 859 5
14	93WF8-037	Bolt	1	1	
15	93WF8-013	Link assy	2	2	
16	93WF8-014	Link pin	2	2	
17	93WF8-015	Set screw	4	4	
18	93WF8-016	Inner presser cam	1	1	
19	93WF1-027	Set screw	2	2	
20	93WF8-017	Link	1	1	
21	93WF8-018	Needle bearing	1	1	HK3016 30×37×16
22	93WF8-019	Link	1	1	
23	93WF8-020	Pin	1	1	
24	93WF8-021	Connecting crank	1	1	
25	93WF6-042	Bolt	1	1	
26	93WF8-022	Pin	1	1	
27	93WF8-023	Collar	2	2	
28	93WF7-029	Set screw	2	2	GB/T 80 M5×5
29	93WF8-025	Connecting lever assy	1	1	
30	93WF8-027	Connecting lever	1	1	
31	93WF8-028	Pin	1	1	
32	93WF3-005	Bolt	1	1	
33	93WF8-029	Adjusting shaft	1	1	
34	93WF8-030	Support plate	1	1	
35	93WF8-031	Bolt	2	2	
36		Washer	2	2	GB 859 4
37	93WF8-003	Support screw	1	1	
38	93WF8-004	Felt	1	1	
39	93WF8-033	Spring hook	1	1	
40		Nut	1	1	GB/T 6172 M8
41	117WF8-001	Spring	1	1	
42	93WF8-036	Bolt	2	-	

## 9. Alternating presser foot lifter mechanism



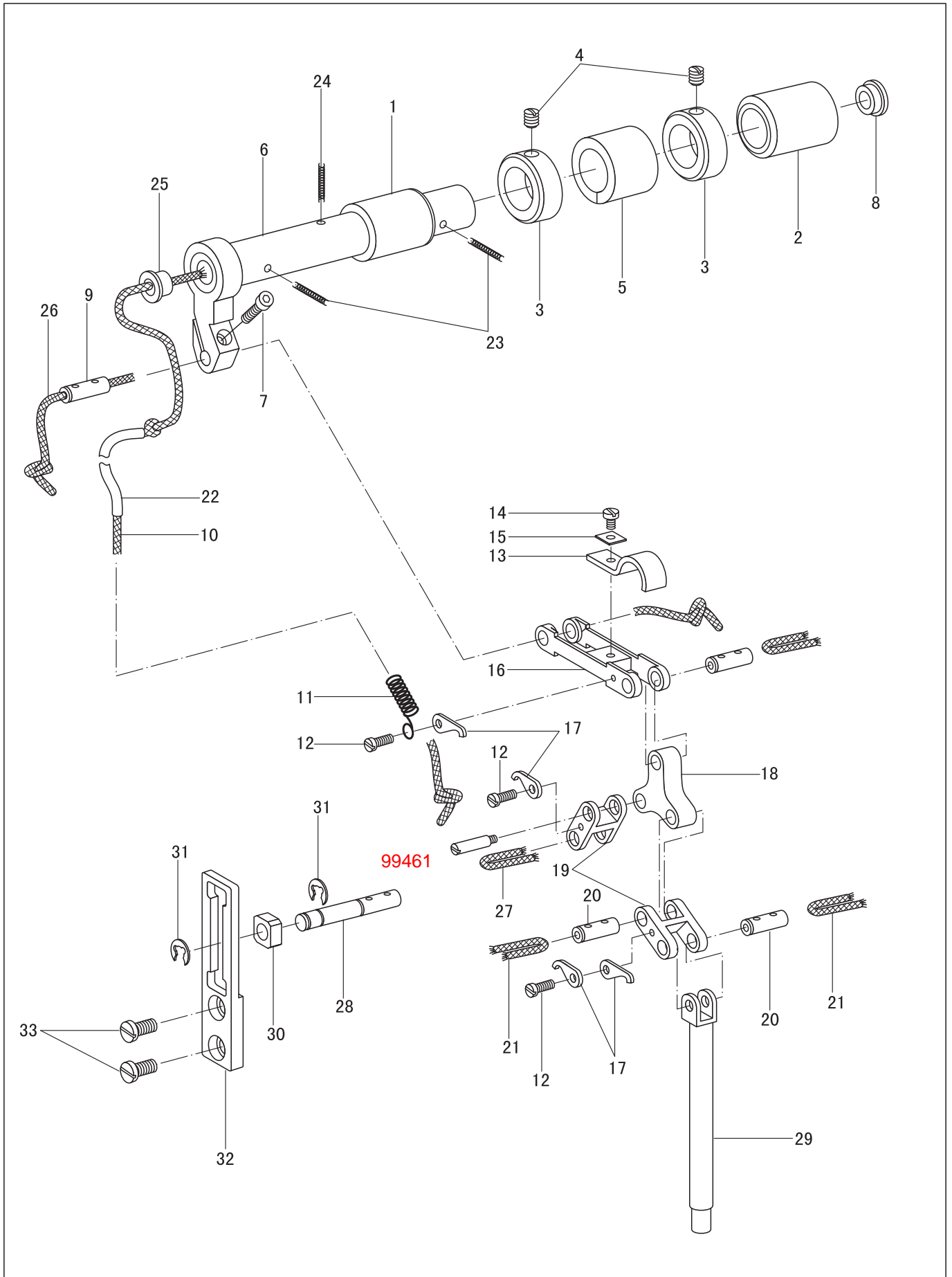
NO.	PARTS NO.	PARTS NAME	QTY	REMARK
			TW1-898-D2	
1	93WF9-002	Bolt	1	
2	93WF9-003	Potentiometer assy	1	
3	93WF9-001	Setting plate	1	
4		Bolt	1	GB/T 70.1 M4×6
5		Washer	1	GB/T 97.1 4
6	93WF9-004	Cylinder	1	SDA16×25
7	93WF9-005	Joint	1	ALP4-M5
8	93WF7-009	Silencer	2	BSL-M5
9		Set screw	1	GB/T 70.1 M3×45
10		Air tube	1	L=1000
11	93WF9-007	Knuckle	1	

## 10. Quick reverse mechanism



NO.	PARTS NO.	PARTS NAME	QTY		REMARK
			TW1-898-D2		
1	93WF10-003	Cylinder connection assy	1		
2	2KT3-005	Screw	1		
3	62WF5-025	Stud	1		
4	21WF2-048	Screw	1		
5	62WF5-026	Washer	1		
6	93WF10-004	Cylinder	1		SDA25×15 SU046
7	93WF7-009	Silencer	1		
8	93WF7-008	Joint	1		
9		Air tube, 4mm	1		L=840
10	93WF10-001	Setting plate	1		
11	93WF10-006	Bolt	2		
12		Washer, spring	2		GB 93. 6
13	93WF10-008	Knuckle	1		
14		Nut	1		GB/T6172 M6
15	93WF7-014	Bolt	3		
16		Washer, spring	3		GB/T 859 5
17	93WF10-002	Coupling pin	1		
18		Retaining ring	2		GB/T 896 4
19	62WF5-024D	Nylon washer	2		
20	62WF5-024C	Pin	2		
21	62WF5-024B	Link rod, reverse stitching lever	1		

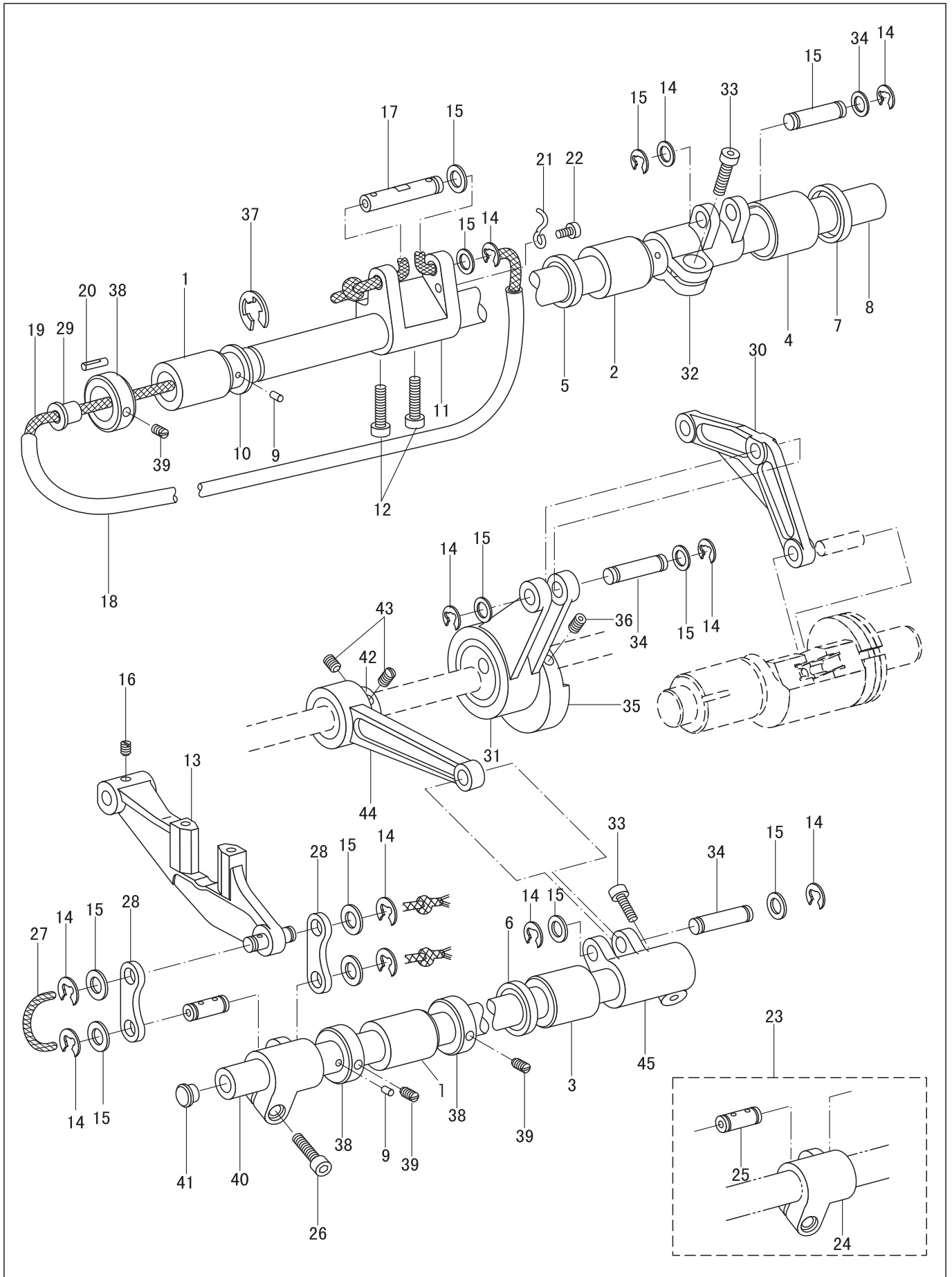
# 11. Upper feed mechanism



## 11. Upper feed mechanism

NO.	PARTS NO.	PARTS NAME	QTY		REMARK
			TW1-898	TW1-898-D2	
1	93WF5-007	Bushing, F	1	1	
2	93WF11-001	Bushing, B	1	1	
3	93WF8-023	Collar	2	2	
4	93WF7-029	Set screw	2	2	
5	93WF11-002	Sponge	1	1	
6	93WF11-008	Shaft assy	1	1	
7	93WF8-031	Bolt	1	1	
8	93WF11-003	Rubber cap	1	1	
9	93WF11-009	Connecting pin	1	1	
10		Oil wick	1	1	L235
11	93WF11-010	Tube guide	1	1	
12	93WF11-011	Bolt	3	3	
13	93WF11-004	Leather	1	1	
14	93WF8-036	Bolt	1	1	
15	93WF11-013	Washer	1	1	
16	93WF11-014	Connection	1	1	
17	93WF11-005	Stopper claw	4	4	
18	93WF11-015	Presser connection plate	1	1	
19	93WF11-016	Presser bar connection	2	2	
20	93WF11-009	Connection pin	3	3	
21		Oil wick	1	1	L=50
22		Oil tube	1	1	L=75
23		Oil wick	1	1	L=75
24		Felt	1	1	L=20
25	93WF3-010	Rubber cap	1	1	
26		Oil wick	1	1	L=80
27		Oil wick	1	1	
28	93WF11-019	Inner presser bar	1	1	
29	93WF11-020	Presser bar	1	1	
30	93WF11-021	Slide block	1	1	
31	93WF11-006	Retaining ring	2	2	
32	93WF11-022	Steady plate	1	1	
33	13WF7-015	Screw	2	2	

# 12. Lowerfeed shaft mechanism

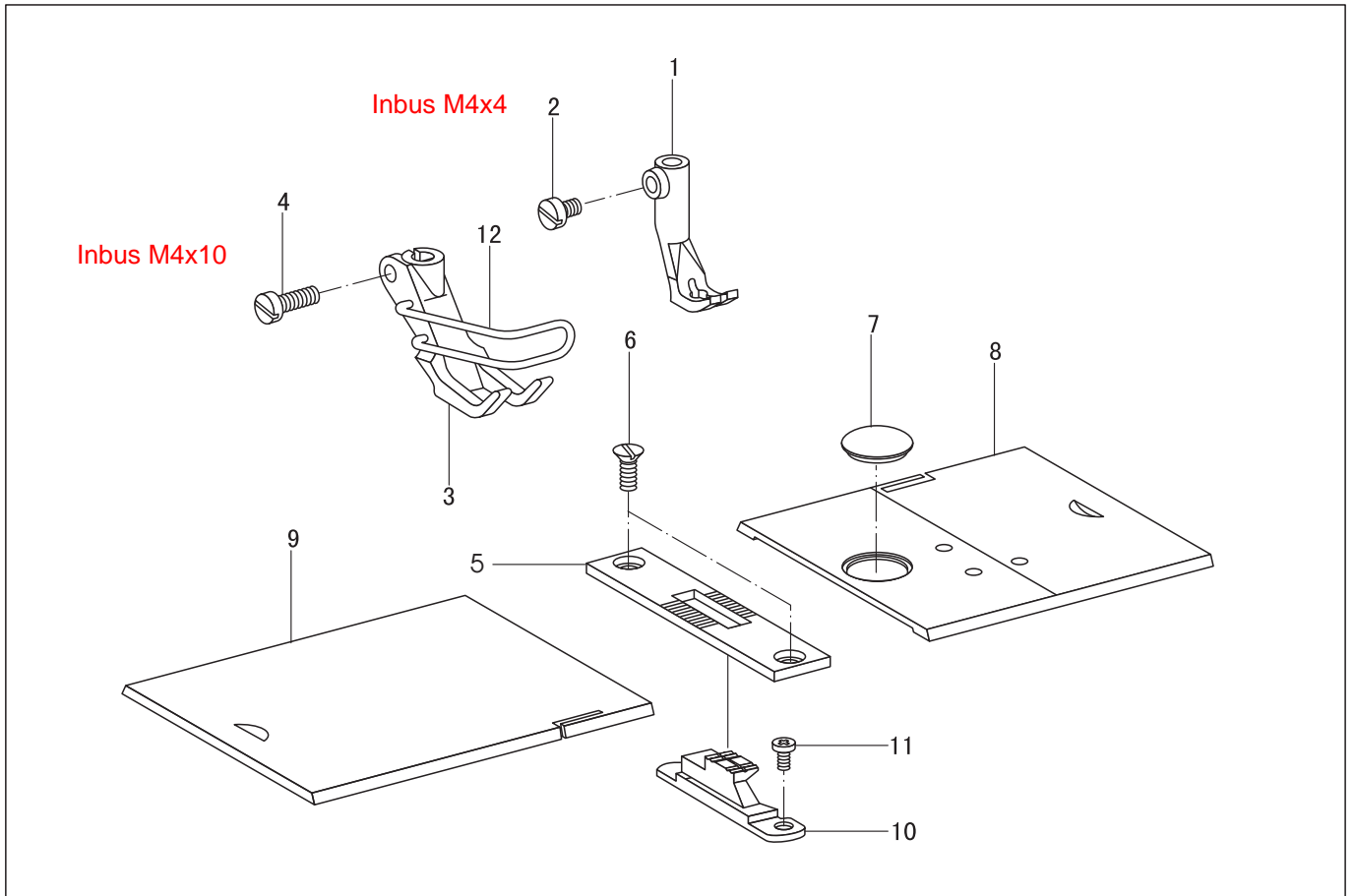




## 12. Lower feed shaft mechanism

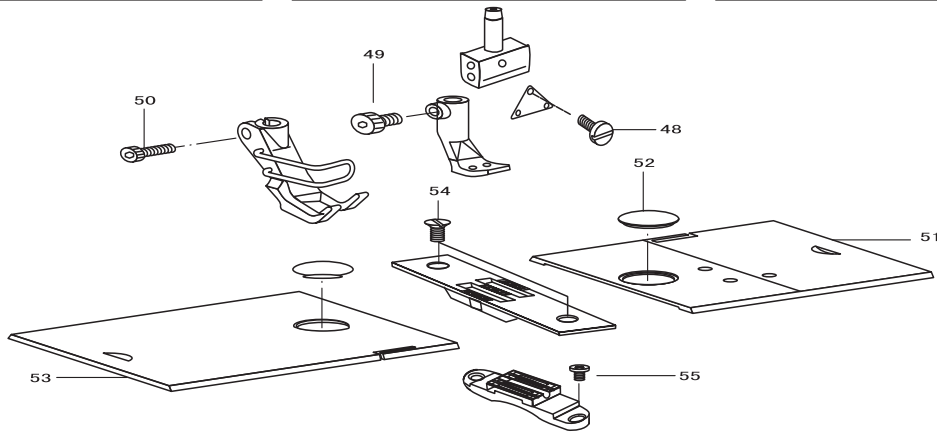
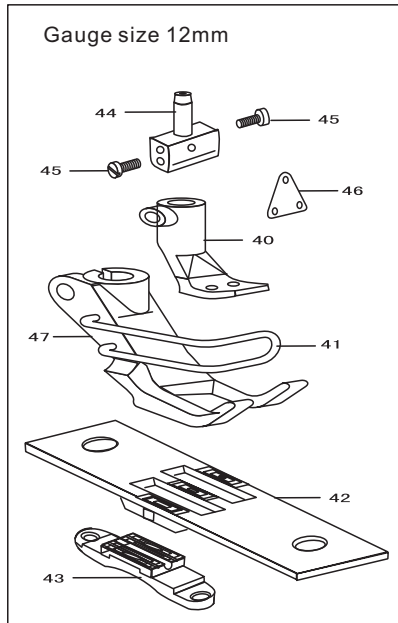
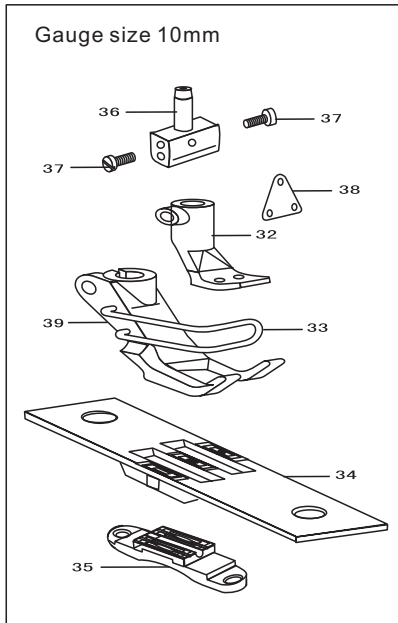
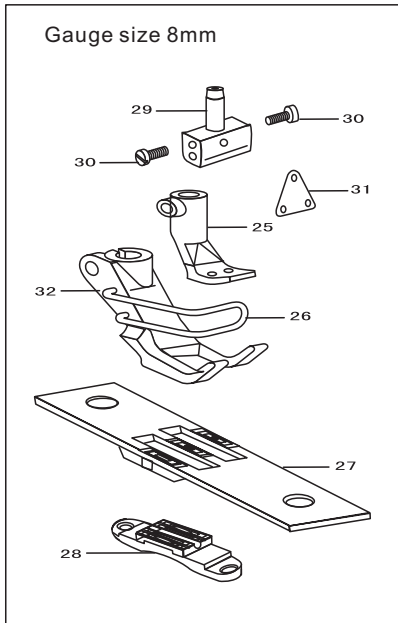
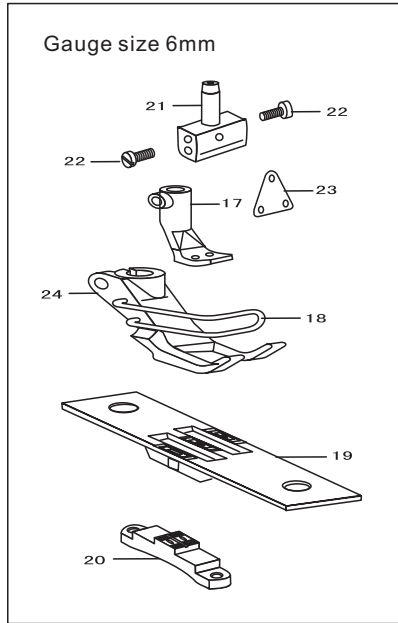
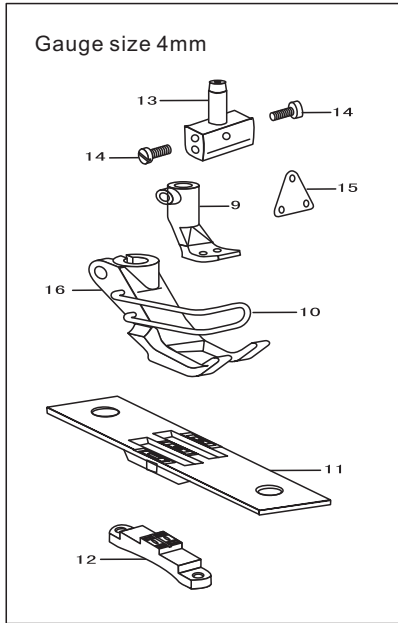
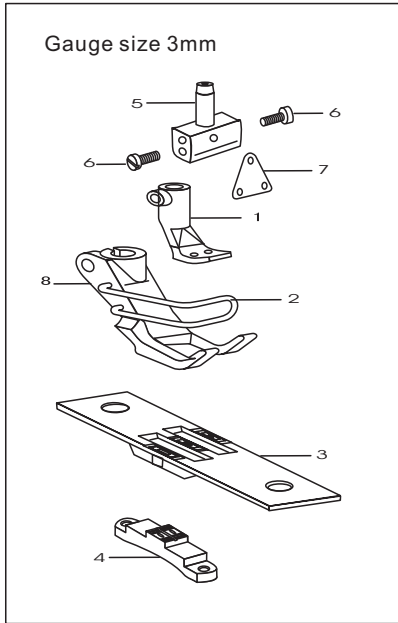
NO.	PARTS NO.	PARTS NAME	QTY		REMARK
			TW1-898	TW1-898-D2	
1	93WF5-007	Feed shaft bushing, F	2	2	
2	93WF12-001	Feed shaft bushing, M	1	1	
3	93WF12-002	Bushing, F	1	1	
4	93WF12-003	Feed shaft bushing	1	1	
5	93WF12-008	Oil seal	1	1	15×24×7
6	93WF12-008	Oil seal	1	1	15×24×7
7	93WF12-010	Oil seal	1	1	15×24×7
8	93WF12-011	Feed shaft	1	1	
9		Felt	2	2	
10	93WF12-004	Ring	1	1	
11	93WF12-012	Feed arm	1	1	
12	93WF10-006	Bolt	2	2	
13	93WF12-013	Feed bracket assy	1	1	
14	266097	Retaining ring	11	11	
15	93WF12-005	Washer	12	12	
16	93WF12-035	Set screw	1	1	
17	93WF12-015	Pin	1	1	
18		Oil tube	1	1	L=200
19		Oil wick	1	1	L=300
20		Felt	1	1	3×18
21	93WF12-006	Tube holder	1	1	
22		Bolt	1	1	GB/T 70.1 M4×6
23	93WF12-016	Feed connection arm assy	1	1	
24	93WF12-017A	Feed connection arm	1	1	
25	93WF12-018B	Pin	1	1	
26	93WF12-019	Bolt	1	1	
27		Oil wick	1	1	L=110
28	93WF12-020	Feed link assy	1	1	
29	93WF3-010	Rubber cap	1	1	
30	93WF12-022	Back cylinder connection	1	1	
31	93WF12-023	Connection rod assy, L-feed	1	1	
32	93WF12-034	Feed shaft arm	1	1	
33	93WF7-012	Bolt	2	2	
34	93WF12-026	Pin	3	3	
35	93WF12-027	Lower feed cam	1	1	
36	93WF1-027	Set screw	2	2	
37	93WF12-007	Retaining ring	1	1	
38	93WF8-023	Collar, adjust shaft	3	3	
39	93WF7-029	Set screw	3	3	
40	93WF12-029	Adjust-shaft	1	1	
41	93WF11-003	Rubber cap	1	1	
42	93WF12-031	Feed cam	1	1	
43	93WF2-008	Set screw	2	2	
44	93WF12-033	Feed rod	1	1	
45	93WF12-034	Feed shaft arm	1	1	

### 13. Needle plate, presser foot



NO.	PARTS NO.	PARTS NAME	QTY		REMARK
			TW1-898	TW1-898-D2	
1	93WF13-003	Inner presser foot	1	1	
2	93WF13-004	Bolt	1	1	
3	93WF13-005	Walking foot assy	1	1	
4	93WF13-006	Bolt	1	1	
5	93WF13-007	Needle plate	1	1	
6	93WF13-001	Screw	2	2	
7	21WF4-059	Bobbin window	1	1	
8	93WF13-008	Slide plate, R	1	1	
9	93WF13-009	Slide plate, L	1	1	
10	93WF13-010	Feed dog	1	1	
11	93WF13-002	Screw	2	2	
12	93WF13-011	Finger guard	1	1	

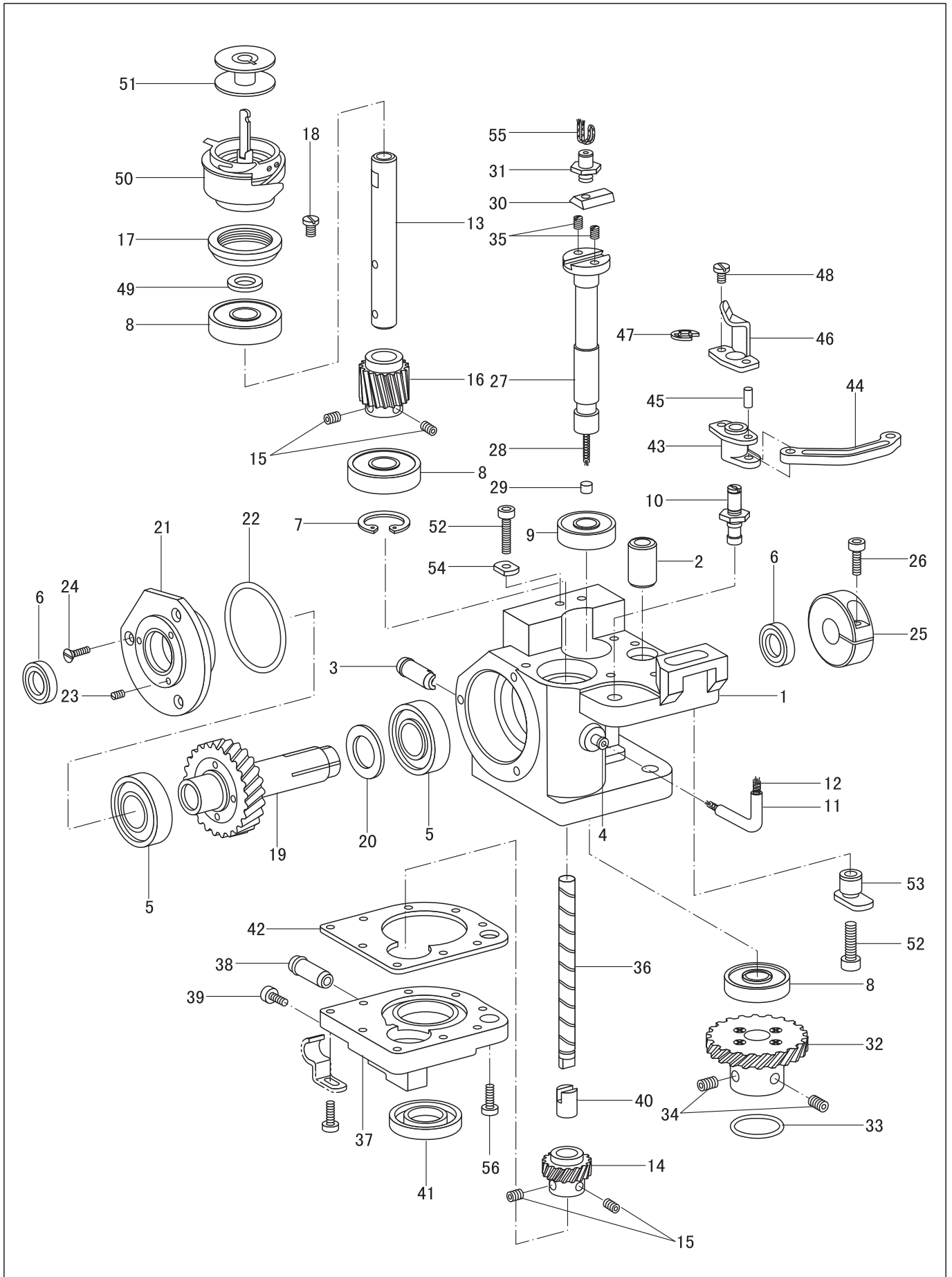
# 13. Needle plate, presser foot (TW2-898-D2)



### 13. Needle plate, presser foot (TW2-898-D2)

NO.	PARTS NO.	PARTS NAME	QTY	REMARK
			TW2-898-D2	
1	193WF13-001a	Inner presser foot (3)	1	
2	193WF13-006a	Finger guard	1	
3	193WF13-003a	Needle plate (3)	1	
4	193WF13-005a	Feed dog (3)	1	
5	193WF5-001a	Needle clamp (3)	1	
6	179WF5-004	Screw	2	
7	193WF5-002a	Thread guide	1	
8	193WF13-002a	Walking foot (3-4)	1	
9	193WF13-001b	Innder presser foot (4)	1	
10	193WF13-006a	Finger guard	1	
11	193WF13-003b	Needle plate	1	
12	193WF13-005b	Feed dog (4)	1	
13	193WF5-001b	Needle clamp (4)	1	
14	179WF5-004	Screw (4)	2	
15	193WF5-002a	Thread guide	1	
16	193WF13-002a	Walking foot (3-4)	1	
17	193WF13-001c	Inner foot (6)	1	
18	193WF13-006a	Finger guard	1	
19	193WF13-003c	Needle plate (6)	1	
20	193WF13-005c	Feed dog (6)	1	
21	193WF5-001c	Needle clamp (6)	1	
22	179WF5-004	Screw	2	
23	193WF5-002a	Thread guide	1	
24	193WF13-002b	Walking foot (6)	1	
25	193WF13-001d	Inner foot (8)	1	
26	193WF13-006b	Finger guard	1	
27	193WF13-003d	Needle plate (8)	1	
28	193WF13-005d	Feed dog (8)	1	
29	193WF5-003d	Needle clamp (8)	1	
30	179WF5-004	Screw	2	
31	193WF5-002a	Thread guide	1	
32	193WF13-001e	Inner foot (10)	1	
33	193WF13-006b	Finger guard	1	
34	193WF13-003d	Needle plate (10)	1	
35	193WF13-005e	Feed dog (10)	1	
36	193WF5-001d	Needle clamp (10)	1	
37	179WF5-004	Screw	2	
38	193WF5-002a	Thread guide	1	
39	193WF13-002d	Walking foot (10)	1	
40	193WF13-001f	Inner foot (12)	1	
41	193WF13-006b	Finger guard	1	
42	193WF13-003f	Needle plate (12)	1	
43	193WF13-005f	Feed dog (12)	1	
44	193WF5-001f	Needle clamp (12)	1	
45	179WF5-004	Screw	2	
46	193WF5-002b	Thread guide	1	
47	193WF13-002e	Walking foot (12)	1	
48	16WF1-006	Screw	1	
49	93WF13-004	Screw	1	
50	93WF13-006	Screw	1	
51	93WF13-008	Sliding plate (R)	1	
52	21WF4-059	Window plate	2	
53	193WF13-004	Sliding plate (L)	1	
54	93WF13-001	Screw	2	
55	93WF13-002	Screw	2	

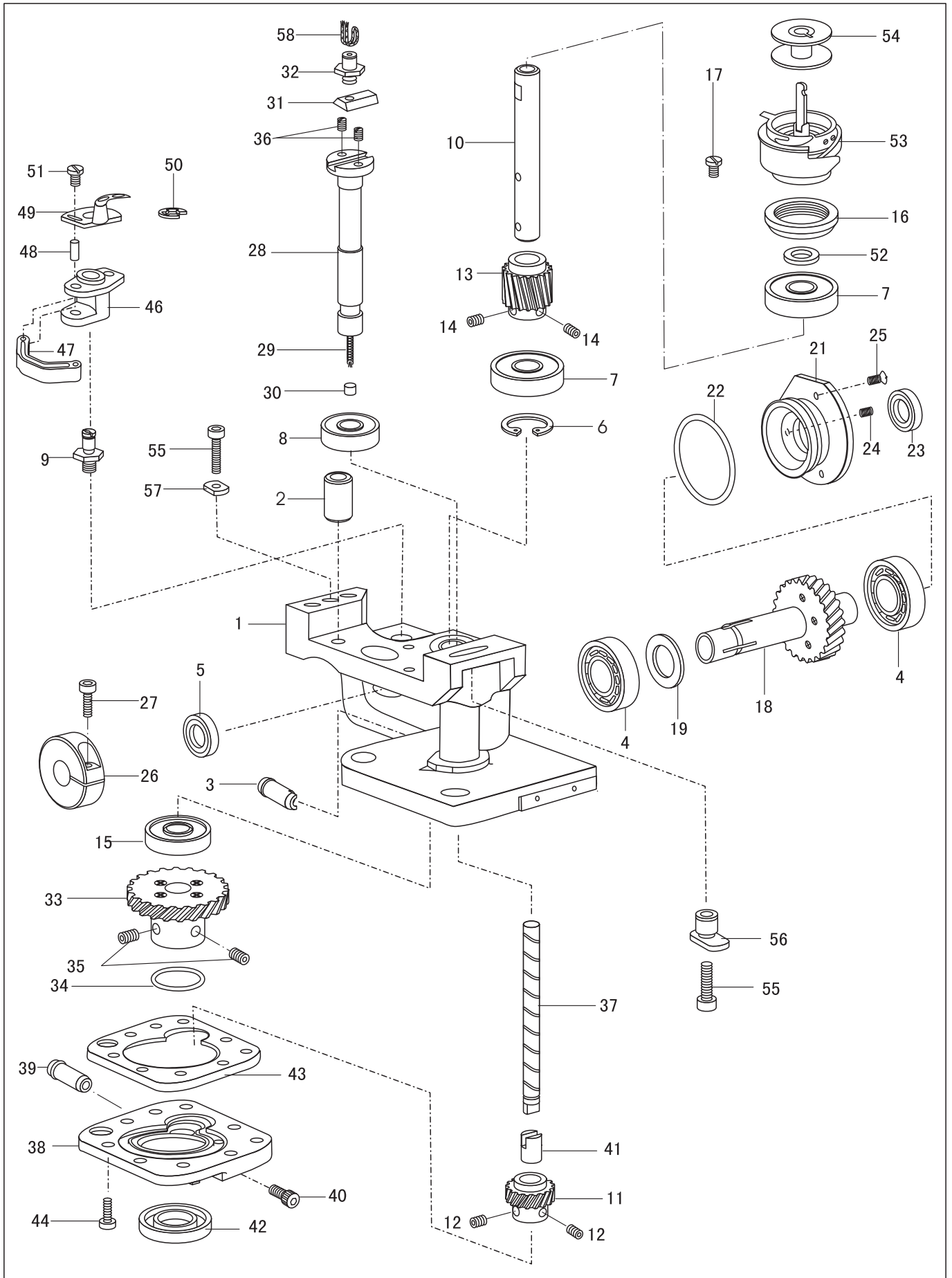
# 14. Rotary hook shaft timing mechanism



## 14. Rotary hook shaft timing mechanism

NO.	PARTS NO.	PARTS NAME	QTY		REMARK
			TW1-898	TW1-898-D2	
1	93WF14-012	Horizontal hook base	1	1	
2	93WF14-013	Bushing	1	1	
3	93WF14-001	Drain pipe	1	1	
4	93WF3-001	Pipe	1	1	
5	93WF14-014	Ball bearing	2	2	16002 15×32×8
6	93WF14-015	Oil seal	2	2	15×21×3
7		Retaining ring	1	1	GB893.1 26
8	93WF14-017	Ball bearing	3	3	6000 10×26×8
9	93WF14-018	Bearing	1	1	6002Z 10×26×8
10	93WF14-019	Pin	1	1	
11		Oil tube	1	1	
12		Oil wick	1	1	
13	93WF14-020	Shaft, rotary hook	1	1	
14	93WF14-002	Gear, OP-shaft	1	1	
15	93WF7-029	Set screw	4	4	
16	93WF14-003	Gear	1	1	
17	93WF14-021	Supporter	1	1	
18	496512	Screw	2	2	
19	93WF14-047	Gear assy	1	1	
20	93WF14-023	Washer	1	1	
21	93WF14-046	Lower shaft holder	1	1	
22	93WF14-005	O ring	1	1	
23		Set screw	3	3	GB/T77 M4×5
24		Screw	3	3	GB/T68 M4×4
25	93WF14-025	Collar	1	1	
26	93WF3-005	Bolt	1	1	
27	93WF14-026	Opener shaft	1	1	
28		Oil wick	1	1	L=80
29	93WF14-006	Rubber cap, 4.2mm	1	1	
30	93WF14-027	Adjusting guide rail	1	1	
31	93WF14-028	Adjusting pin	1	1	
32	93WF14-048	Gear assy	1	1	
33	33T2-30-A	O ring	1	1	
34	93WF8-015	Set screw	2	2	
35	93WF14-030	Set screw	2	2	
36	93WF14-031	Lubrication shaft	1	1	
37	93WF14-032	Oil tank, hook base	1	1	
38	93WF1-017	Pipe	1	1	
39	93WF8-036	Bolt	1	1	
40	93WF14-033	Bushing	1	1	
41	93WF14-034	Oil seal	1	1	22×32×7
42	93WF14-008	Sheet packing	1	1	
43	93WF14-035	Setting bracket, opener	1	1	
44	93WF14-036	Opener arm	1	1	
45	93WF14-037	Pin	1	1	
46	93WF14-038	Opener	1	1	
47	93WF14-009	Retaining ring, 4mm	1	1	
48	13WF1-015	Screw	2	2	
49	93WF14-040	Washer	1	1	t1=0.3/t2=0.4/t3=0.5/t4=0.2
50	93WF14-041	Rotary hook assy	1	1	
51	93WF14-042	Bobbin	1	1	
52	93WF14-043	Bolt	2	2	
53	93WF14-044	Eccentric collar	1	1	
54	93WF14-045	Washer	1	1	
55		Oil wick	1	1	L=50
56	93WF13-006	Bolt	9	9	

# 14. Rotary hook shaft timing mechanism (TW2-898-D2)

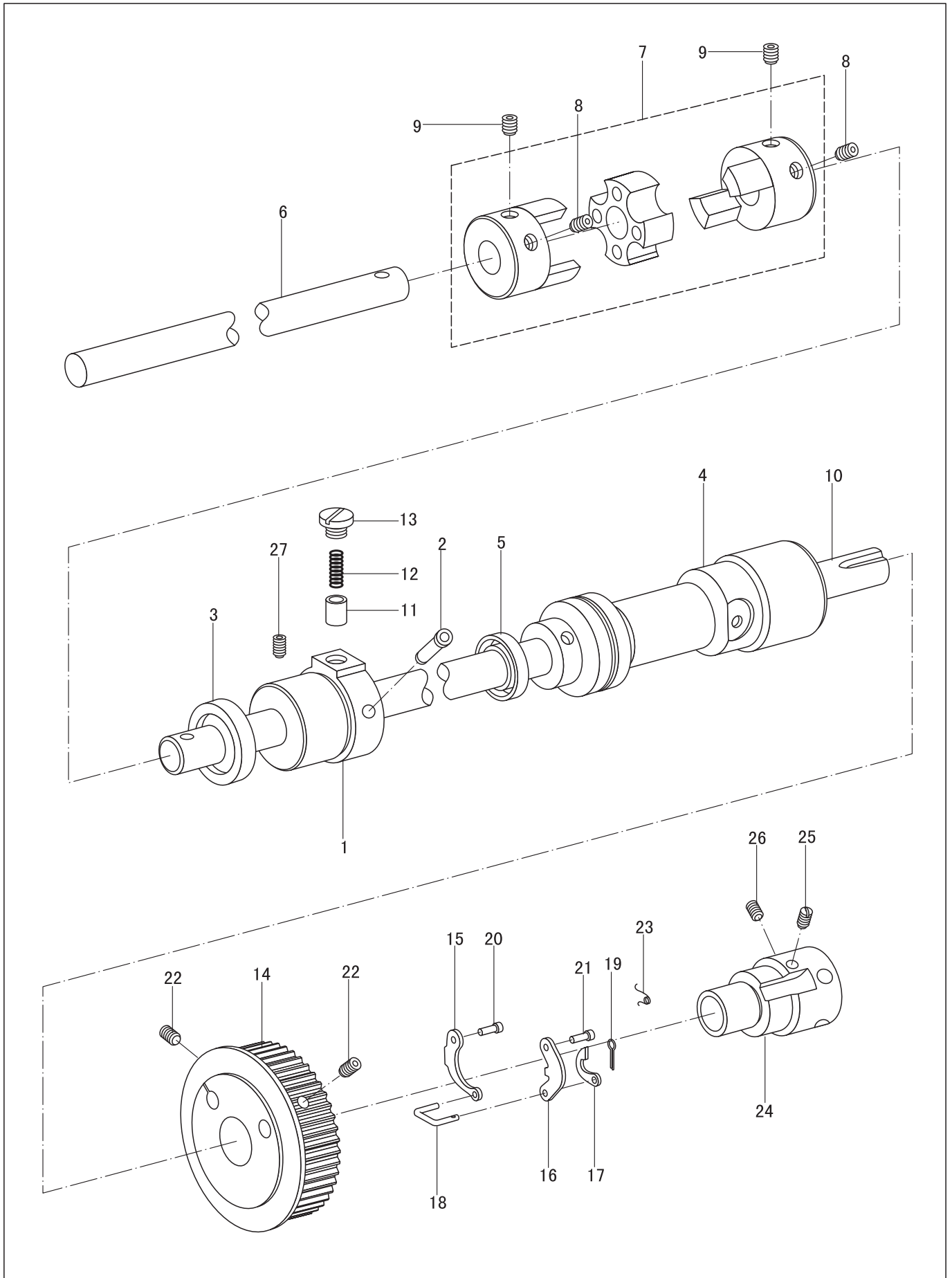


## 14. Rotary hook shaft timing mechanism(TW2-898-D2)

NO.	PARTS NO.	PARTS NAME	QTY	REMARK
			TW2-898-D2	
1	193WF14-001	Horizontal hook base (L)	1	
2	93WF14-013	Bushing	1	
3	93WF14-001	Drain pipe	1	
4	93WF14-014	Ball bearing	2	16002 15×32×8
5	93WF14-015	Oil seal	1	15×21×3
6		Retaining ring	2	GB893.1 26
7	93WF14-017	Ball bearing	2	6000 10×26×8
8	193WF14-047	Bearing	1	2080900 10×22×6
9	193WF14-003	Pin	1	
10	93WF14-020	Shaft, rotary hook	1	
11	93WF14-002	Gear, OP-shaft	1	
12	93WF8-015	Set screw	2	
13	93WF14-003	Gear	1	
14	93WF7-029	Setscrew	2	
15	193WF14-048	Bearing	1	6000 10×26×6
16	93WF14-021	Supporter	1	
17	496512	Screw	2	
18	93WF14-047	Gear assy	1	
19	93WF14-023	Washer	1	
20				
21	93WF14-046	Lower shaft holder	1	
22	93WF14-005	O ring	1	
23	93WF14-015	Oil seal	1	15×21×3
24		Set screw	3	GB/T77 M4×5
25		Screw	3	GB/T68 M4×4
26	93WF14-025	Collar	1	
27	93WF3-005	Bolt	1	
28	93WF14-026	Opener shaft	1	
29		Oil wick	1	L=80
30	93WF14-006	Rubber cap, 4.2mm	1	
31	93WF14-027	Adjusting guide rail	1	
32	93WF14-028	Adjusting pin	1	
33	93WF14-048	Gear assy	1	
34	33T2-030-A	O ring	1	
35	93WF8-015	Set screw	2	
36	93WF14-030	Set screw	2	
37	93WF14-031	Lubrication shaft	1	
38	193WF14-002	Oil tank, hook base	1	
39	93WF14-001	Pipe	1	
40	93WF8-036	Bolt	1	
41	93WF14-033	Bushing	1	
42	93WF14-034	Oil seal	1	22×32×7
43	93WF14-008	Sheet packing	1	
44	93WF13-006	Bolt	9	
45				
46	93WF14-035	Setting bracket, opener	1	
47	93WF14-036	Opener arm	1	
48	93WF14-037	Pin	1	
49	93WF14-038	Opener	1	
50	93WF14-009	Retaining ring, 4mm	1	
51	13WF1-015	Screw	2	
52	93WF14-040	Washer	1	t1=0.3/t2=0.4/t3=0.5/t4=0.2
53	93WF14-041	Rotary hook assy	1	
54	93WF14-042	Bobbin	1	
55	93WF14-043	Bolt	2	
56	93WF14-044	Eccentric collar	1	
57	93WF14-045	Washer	1	
58		Oil wick	1	L=50



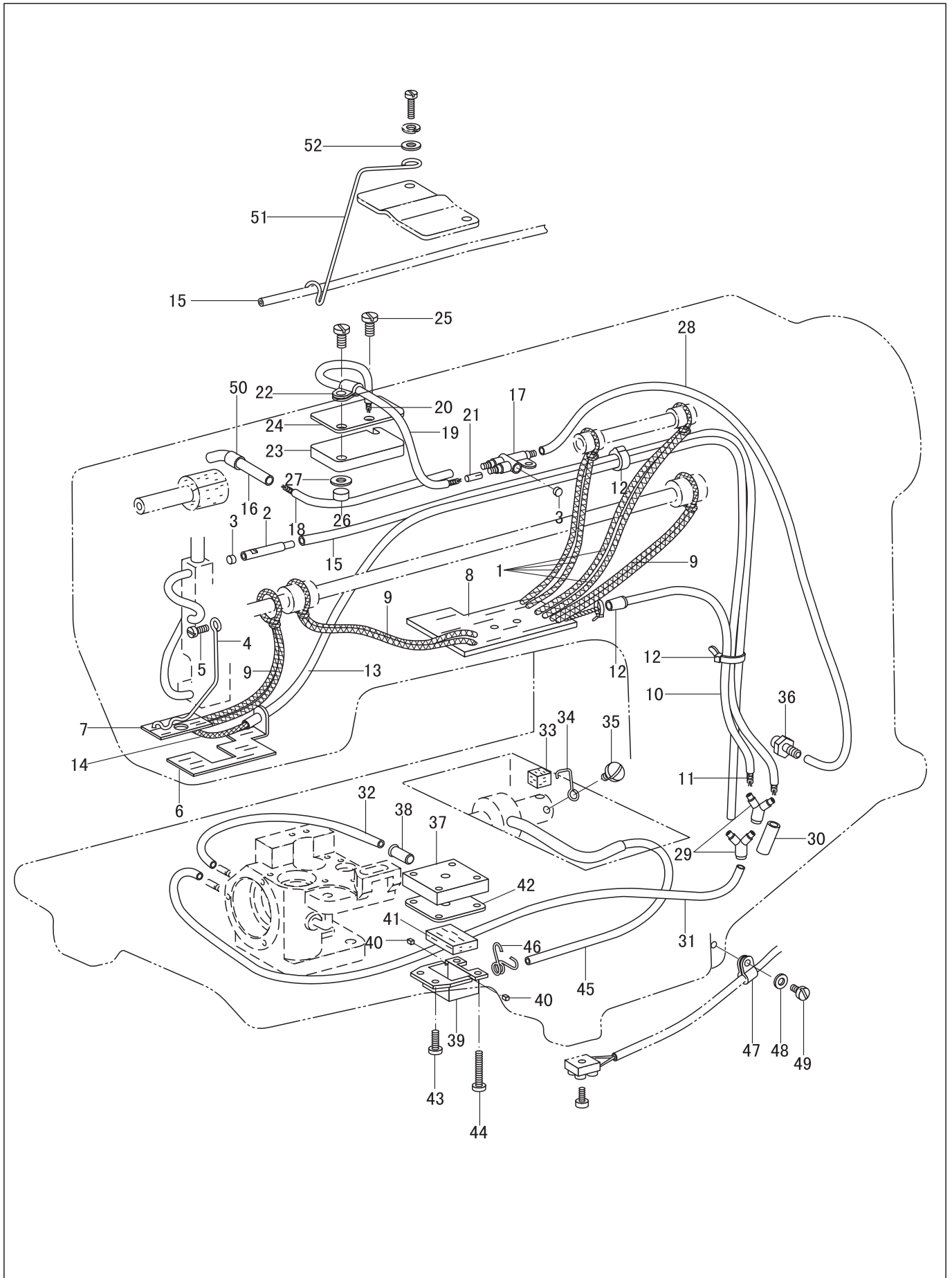
# 15. Lower shaft mechanism



## 15. Lower shaft mechanism

NO.	PARTS NO.	PARTS NAME	QTY		REMARK
			TW1-898	TW1-898-D2	
1	93WF15-006	Bushing, F; L-shaft	1	1	
2	93WF3-001	Pipe	2	2	
3	93WF15-007	Oil seal	1	1	12×30×7
4	93WF15-008	Bushing, B; L-shaft	1	1	
5	93WF15-009	Oil seal	1	1	12×22×7
6	93WF15-010	Lower shaft	1	1	
7	93WF15-001A	Lower shaft coupling assy	1	1	
	93WF15-001B	Lower shaft coupling, R			
	93WF15-001C	Lower shaft coupling, L			
8	93WF15-011	Screw	2	2	
9	93WF15-012	Screw	2	2	
10	93WF15-013	Lower shaft, B	1	1	
11	93WF15-002	Plunge	1	1	
12	93WF15-003	Spring, compression	1	1	
13	93WF15-004	Screw	1	1	
14	93WF15-005	Belt pulley assy, Lower	1	1	
15	22WF1-013	Spring, lock lever	1	1	
16	22WF1-018	Lock lever	1	1	
17	22WF1-016	Ratchet	1	1	
18	22WF1-017	Connecting link	1	1	
19		Pin	1	1	GB/T 91 1.2×8
20	22WF1-015	Lock lever shaft	1	1	
21	22WF1-019	Shaft, spring	1	1	
22	93WF8-015	Set screw	2	2	
23	22WF1-014	Spring	1	1	
24	93WF15-015	Bushing	1	1	
25	93WF15-016	Set screw	1	1	
26	93WF15-017	Set screw	1	1	
27	93WF2-015	Set screw	1	1	

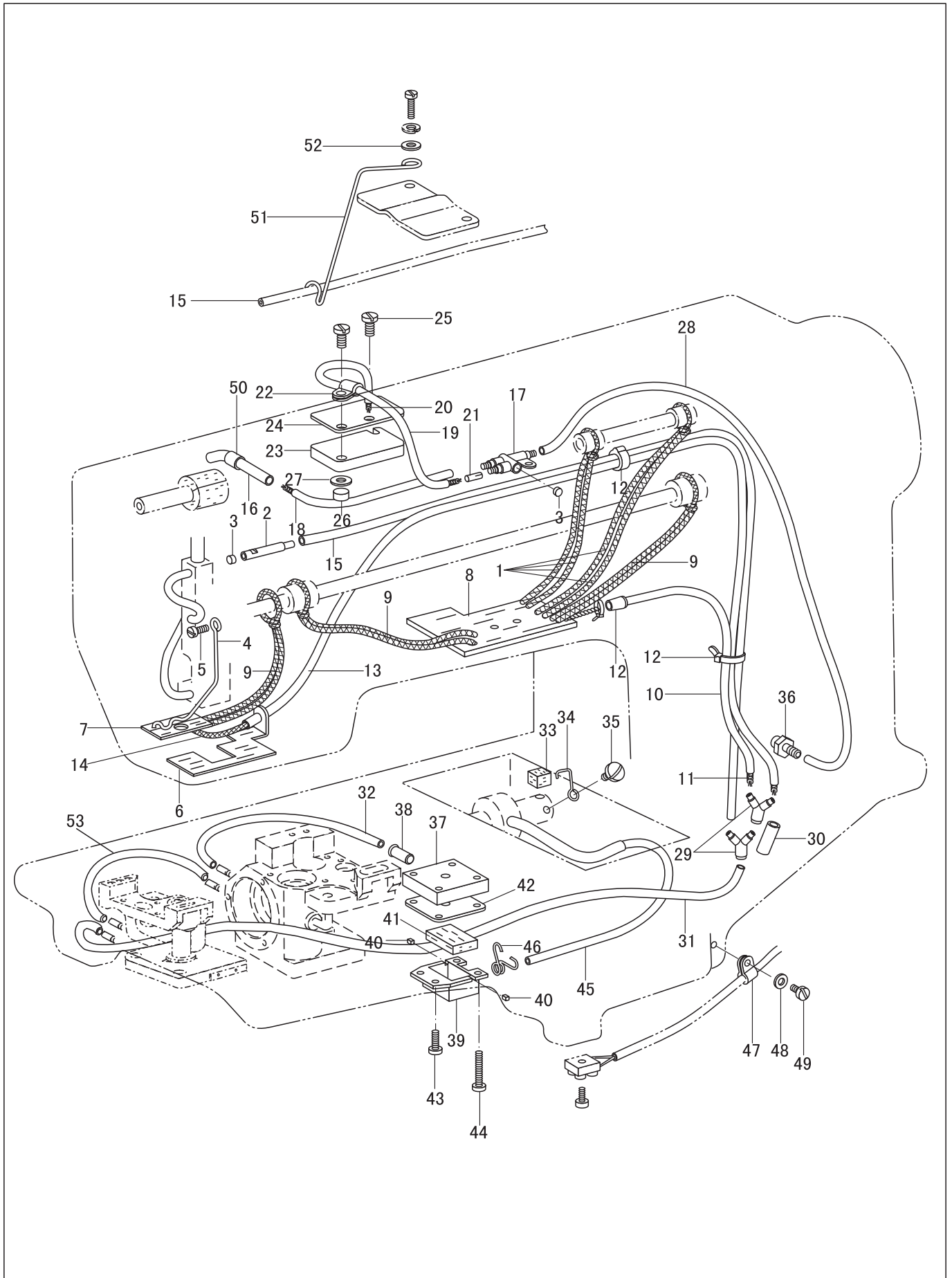
# 16. Lubrication mechanism



## 16. Lubrication mechanism

NO.	PARTS NO.	PARTS NAME	QTY		REMARK
			TW1-898	TW1-898-D2	
1		Oil wick	2	2	L=400
2	93WF16-018	Oil tube	1	1	
3	93WF14-006	Rubber cap, 4.2mm	2	2	
4	93WF16-019	Oil wick support	1	1	
5	93WF8-037	Bolt	1	1	
6	93WF16-001	Felt	1	1	
7	93WF16-002	Felt	1	1	
8	93WF16-003	Felt	1	1	
9		Oil wick	3	3	L=400
10		Oil tube	1	1	L=200
11		Oil wick	1	1	L=250
12		Tube tie	3	3	3×110
13		Oil tube	1	1	L=490
14		Oil wick	1	1	L=620
15		Oil tube	1	1	L=480
16	93WF16-004	Pipe	1	1	
17	21WF7-016	Joint	1	1	
18		Oil tube	1	1	L=185
19		Oil tube	1	1	L=150
20		Oil wick	1	1	L=220
21		Felt	1	1	3×25
22	93WF16-021	Tube clamp	1	1	
23	93WF16-005	Felt	1	1	
24	93WF16-026	Felt support	1	1	
25	13WF7-015	Screw	1	1	
26	93WF16-006	Collar	1	1	
27	375290	Washer	1	1	
28		Oil tube	1	1	L=380
29	93WF16-007	Y-joint	2	2	
30		Oil tube	1	1	L=40
31		Oil tube	1	1	L=400
32		Oil tube	1	1	L=190
33	93WF16-008	Sponge	1	1	
34	93WF16-009	Sponge support	1	1	
35	999055	Screw	1	1	
36	93WF16-010	Oil feed pipe	1	1	
37	93WF16-024	Plate, filter bracket	1	1	
38	93WF1-017	Pipe	2	2	
39	93WF16-011	Sub-tank	1	1	
40	93WF16-012	Rubber cap	2	2	
41	93WF16-013	Felt	1	1	
42	93WF16-014	Packing	1	1	
43	33T3-007	Screw	3	3	
44	93WF16-015	Screw	2	2	
45		Oil tube	1	1	L=450
46	21WF7-006	Tube clip	1	1	
47	93WF16-016	Cushion clamp	1	1	
48	93WF1-009	Washer	1	1	
49	33T3-007	Screw	1	1	
50		Oil tube	1	1	L=5
51	93WF16-017	Tube support	1	1	
52		Washer	1	1	GB/T 97.1 4

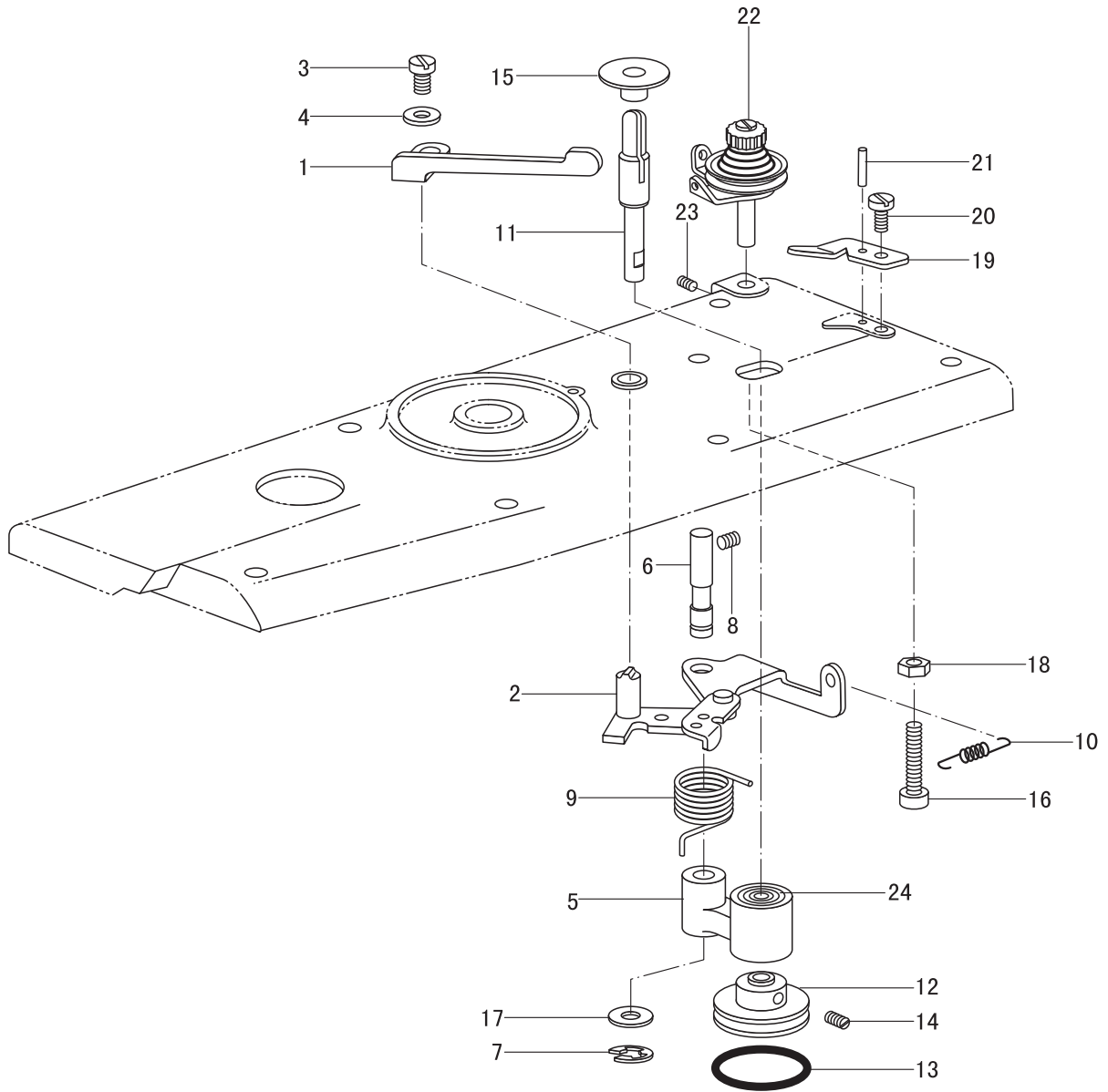
# 16. Lubrication mechanism (TW2-898-D2)



## 16. Lubrication mechanism (TW2-898-D2)

NO.	PARTS NO.	PARTS NAME	QTY	REMARK
			TW2-898-D2	
1		Oil wick	2	L=400
2	93WF16-018	Oil tube	1	
3	93WF14-006	Rubber cap, 4.2mm	2	
4	93WF16-019	Oil wick support	1	
5	93WF8-037	Bolt	1	
6	93WF16-001	Felt	1	
7	93WF16-002	Felt	1	
8	93WF16-003	Felt	1	
9		Oil wick	3	L=400
10		Oil tube	1	L=200
11		Oil wick	1	L=250
12		Tube tie	3	3×110
13		Oil tube	1	L=490
14		Oil wick	1	L=620
15		Oil tube	1	L=480
16	93WF16-004	Pipe	1	
17	21WF7-016	Joint	1	
18		Oil tube	1	L=185
19		Oil tube	1	L=150
20		Oil wick	1	L=220
21		Felt	1	3×25
22	93WF16-021	Tube clamp	1	
23	93WF16-005	Felt	1	
24	93WF16-026	Felt support	1	
25	13WF7-015	Screw	1	
26	93WF16-006	Collar	1	
27	375290	Washer	1	
28		Oil tube	1	L=380
29	93WF16-007	Y-joint	2	
30		Oil tube	1	L=40
31		Oil tube	1	L=400
32		Oil tube	1	L=190
33	93WF16-008	Sponge	1	
34	93WF16-009	Sponge support	1	
35	999055	Screw	1	
36	93WF16-010	Oil feed pipe	1	
37	93WF16-024	Plate, filter bracket	1	
38	93WF1-017	Pipe	2	
39	93WF16-011	Sub-tank	1	
40	93WF16-012	Rubber cap	2	
41	93WF16-013	Felt	1	
42	93WF16-014	Packing	1	
43	33T3-007	Screw	3	
44	93WF16-015	Screw	2	
45		Oil tube	1	L=450
46	21WF7-006	Tube clip	1	
47	93WF16-016	Cushion clamp	1	
48	93WF1-009	Washer	1	
49	33T3-007	Screw	1	
50		Oil tube	1	L=5
51	93WF16-017	Tube support	1	
52		Washer	1	GB/T 97.1 4
53		Oil tube	1	170

# 17. Bobbin winder mechanism

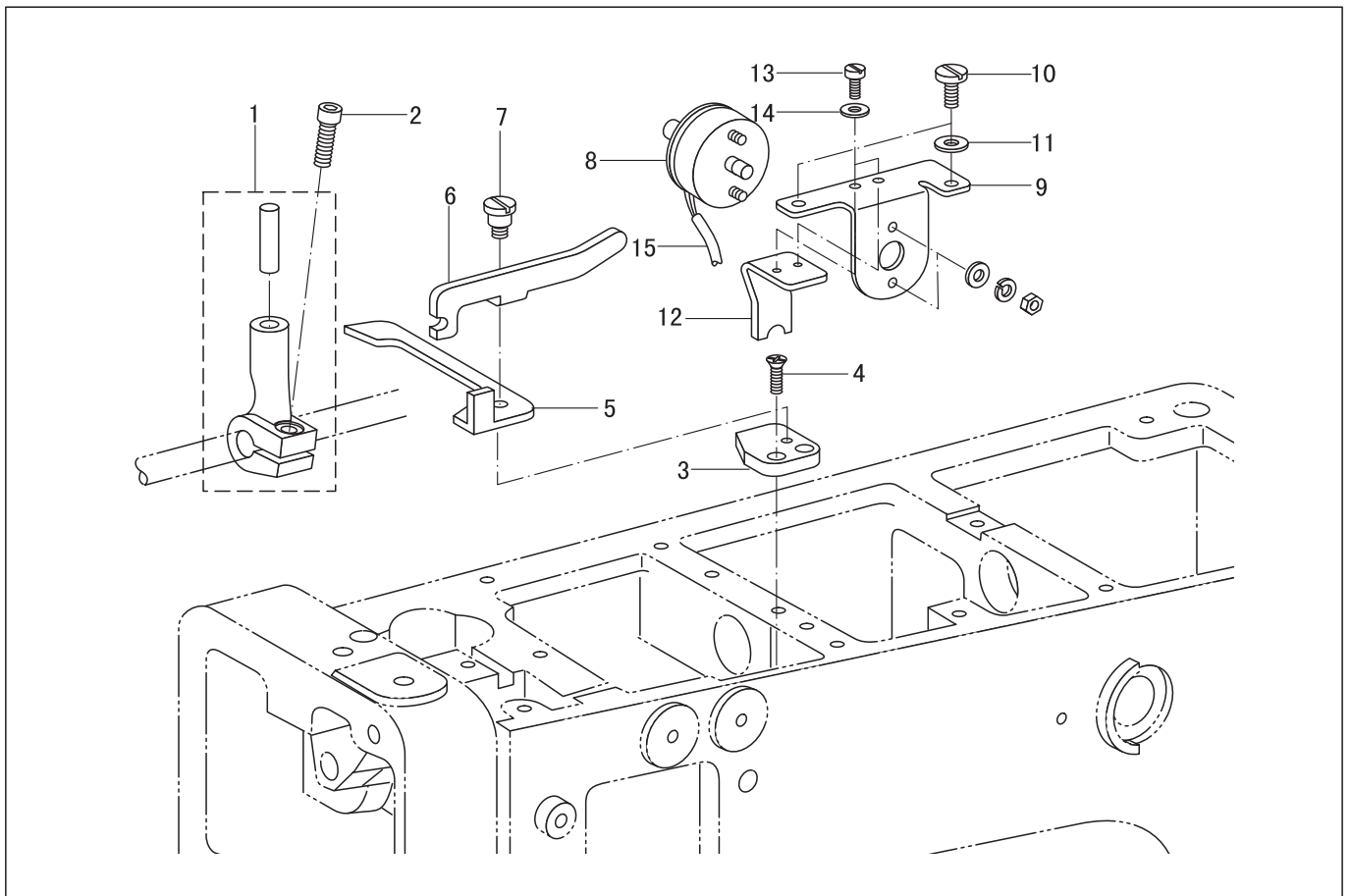


## 17. Bobbin winder mechanism

NO.	PARTS NO.	PARTS NAME	QTY		REMARK
			TW1-898	TW1-898-D2	
1	93WF17-001	Bobbin presser	1	1	
2	89WF5-008	Bobbin presser shaft assy	1	1	
	89WF5-008A	Shaft	1	1	
	89WF5-008B	Joint plate	1	1	
	89WF5-008C	Pin	2	2	
	89WF5-008D	stopper	1	1	
	89WF5-015	Rubber cover	1	1	
3		Screw	1	1	GB/T 818 M4×8
4		Washer	1	1	GB/T 97.1 4
5	93WF17-002	B-winder shaft bracket assy	1	1	
6	93WF17-011	Bobbin winder shaft	1	1	
7	93WF17-003	Retaining ring	1	1	
8	93WF15-012	Set screw	1	1	
9	93WF17-004	Spring	1	1	
10	93WF17-005	Spring	1	1	
11	93WF17-020	Bobbin winder shaft	1	1	
12	93WF17-006	Bobbin winder sheel	1	1	
13	93WF17-007	Rubber ring	1	1	
14	93WF17-012	Set screw	2	2	
15	93WF17-008	Dust guard plate	1	1	
16	93WF17-013	Bolt	1	1	
17	93WF17-014	Washer	1	1	
18		Nut	1	1	GB/T 41 M5
19	93WF17-009	Knife	1	1	
20	21WF4-047	Screw	1	1	
21		Pin	1	1	GB/T 879.1 2×4
22	93WF17-017	Bobbin winder tension assy	1	1	
23		Set screw	1	1	GB/T 77 M4×5
24		Bearing	2	2	625-2Z5×16×5

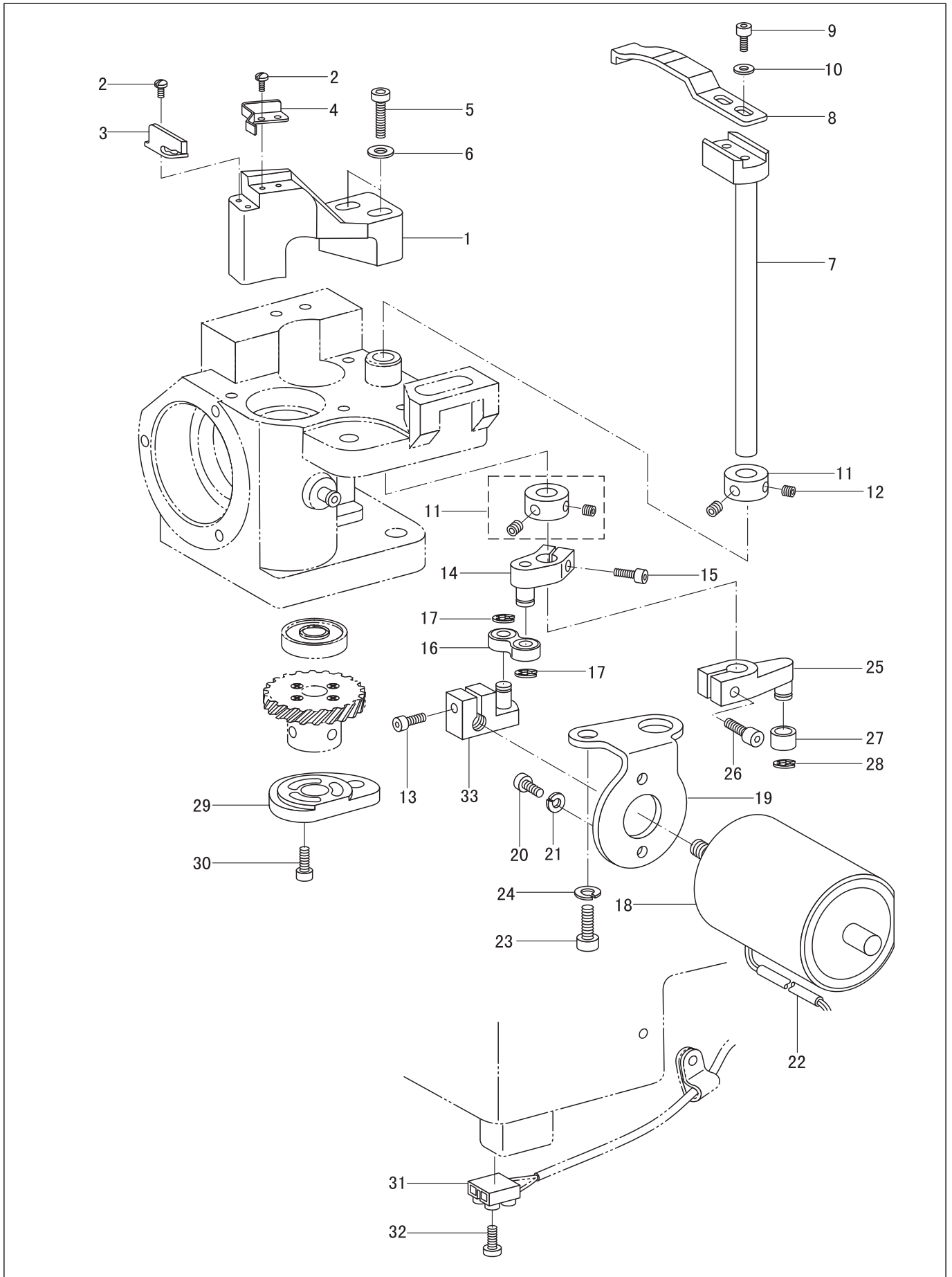


## 18. Tension release mechanism



NO.	PARTS NO.	PARTS NAME	QTY		REMARK
			TW1-898	TW1-898-D2	
1	93WF18-003	Thread float lever assy	1	1	
2	93WF7-010	Bolt	2	2	
3	93WF18-005	Lever setting plate	1	1	
4		Screw	1	1	GB/T 68 M4×12
5	93WF18-007	Thread float lever	1	1	
6	93WF18-008	Thread float plate	1	1	
7	93WF18-001	Shoulder screw	1	1	
8	93WF18-012	Tension release solenoid	-	1	SMT3418SL
9	93WF18-009	Setting plate, solenoid	-	1	
10	13WF2-040	Screw	2	2	
11		Washer	2	2	GB/T 97.1 4
12	93WF18-002	Bracket, solenoid	-	1	
13	93WF1-024	Bolt	-	2	
14		Washer, spring	-	2	GB859 4
15	117WF18-001	Wire	-	1	L=1000

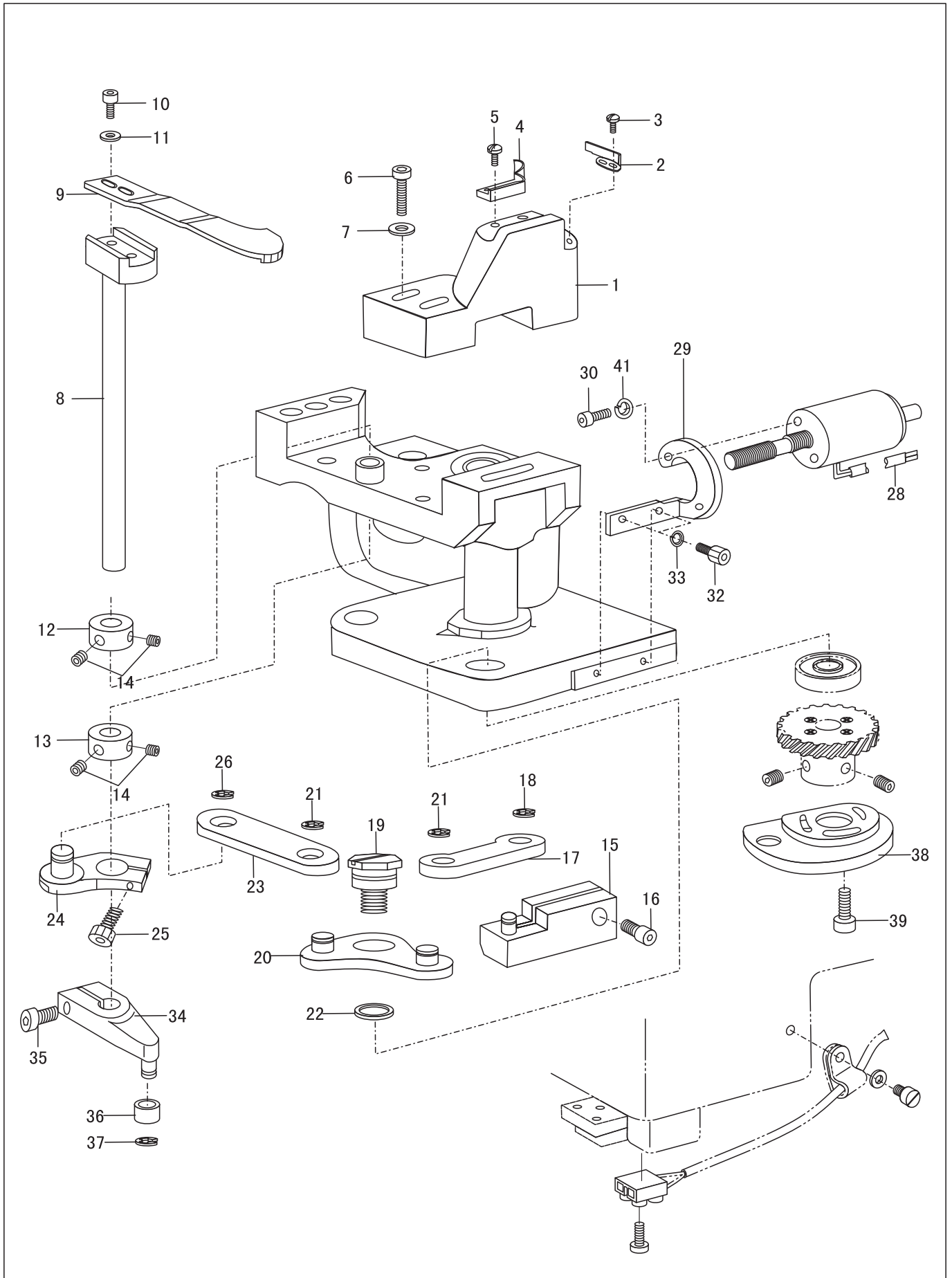
# 19. Thread trimmer mechanism



## 19. Thread trimmer mechanism

NO.	PARTS NO.	PARTS NAME	QTY	REMARK
			TW1-898-D2	
1	93WF19-007	Support bracket, F-knife	1	
2	93WF19-001	Screw	4	
3	93WF19-002	Fixed knife	1	
4	93WF19-003	Spring, thread holding	1	
5	93WF19-008	Bolt	2	
6		Washer	2	GB/T 848 5
7	93WF19-010	Driving knife shaft	1	
8	93WF19-004	Driving knife	1	
9	93WF8-036	Bolt	2	
10		Washer	2	GB/T 97.1 3
11	93WF19-005	Collar	2	
12	93WF9-002	Set screw	4	
13	93WF13-006	Bolt	3	
14	93WF19-015	Driving knife arm assy	1	
15	93WF8-031	Bolt	4	
16	93WF19-016	Driving knife connection	1	
17		Retaining ring	2	GB896 3
18	93WF19-018	Thread trimmer solenoid	1	
19	93WF19-019	Solenoid setting plate	1	
20	93WF13-006	Bolt	2	
21		Washer	2	GB 859 4
22	117WF19-001	Wire	1	
23	93WF6-035	Bolt	1	
24		Washer	1	GB 859 6
25	93WF19-020	Driving knife arm	1	
26	93WF19-021	Bolt	1	
27	93WF19-006	Roller	1	
28	93WF11-006	Retaining ring	1	
29	93WF19-022	Thread trimmer cam	1	
30	93WF8-031	Bolt	3	
31	80WF2-021	Terminal block	1	
32		Screw	1	GB/T 65 M2.5×16
33	93WF19-023	Driving knife arm assy	1	

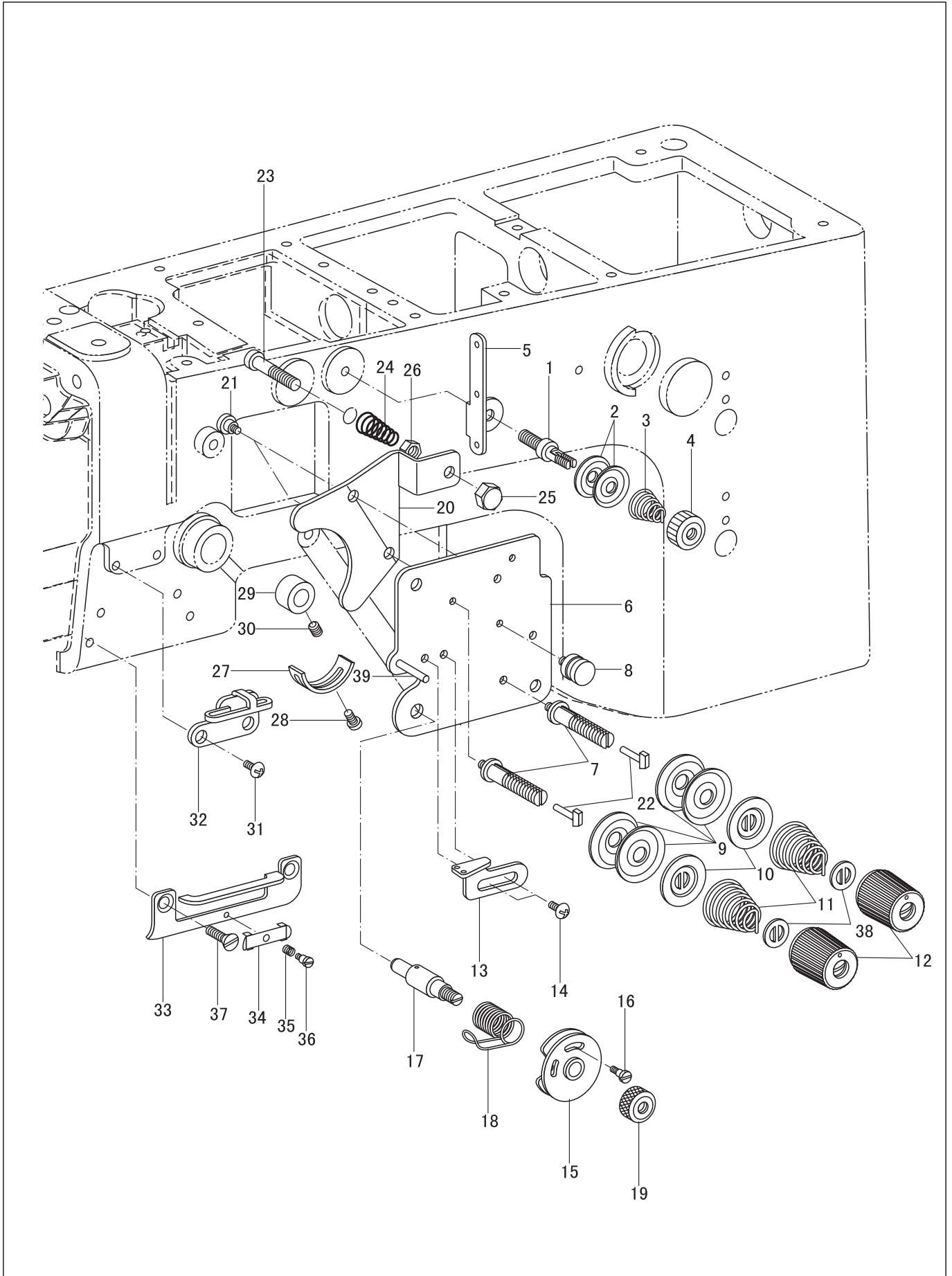
# 19. Thread trimmer mechanism (TW2-898-D2)



## 19. Thread trimmer mechanism (TW2-898-D2)

NO.	PARTS NO.	PARTS NAME	QTY	REMARK
			TW2-898-D2	
1	93WF19-007	Support bracket, F-knife	1	
2	93WF19-002	Fixed knife	1	
3	93WF19-001	Screw	2	
4	93WF19-003	Spring, thread holding	1	
5	93WF19-001	Screw	2	
6	93WF19-008	Bolt	2	
7		Washer	2	GB/T 848 5
8	93WF19-010	Driving knife shaft	1	
9	93WF19-004	Driving knife	1	
10	93WF8-036	Bolt	2	
11		Washer	2	GB/T 97.1 3
12	93WF19-005	Collar	1	
13	193WF19-001	Collar	1	
14	93WF19-002	Set screw	4	
15	193WF19-002	Connector assy	1	
16	93WF13-006	Bolt	1	
17	193WF19-003	Link	1	
18		Retaining ring	1	GB896. 3
19	193WF19-004	Screw	1	
20	193WF19-005	Swing board assy	1	
21		Retaining ring	1	GB896. 3
22	193WF19-006	Retaining ring	1	
23	193WF19-007	Link	1	
24	193WF19-008	Crank assy	1	
25	93WF8-031	Screw	1	
26		Retaining ring	1	GB896. 3
27				
28	193WF19-009	Thread trimmer solenoid	1	
29	193WF19-010	Solenoid setting plate	1	
30	93WF13-006	Screw	2	
31		Washer	2	GB859. 4
32	93WF13-006	Screw	2	
33		Washer	2	GB859. 4
34	93WF19-020	Driving knife arm assy	1	
35	93WF19-021	Bolt	1	
36	93WF19-006	Roller	1	
37	93WF11-006	Retaining ring	1	
38	93WF19-022	Thread trimmer cam	1	
39	93WF8-031	Screw	3	

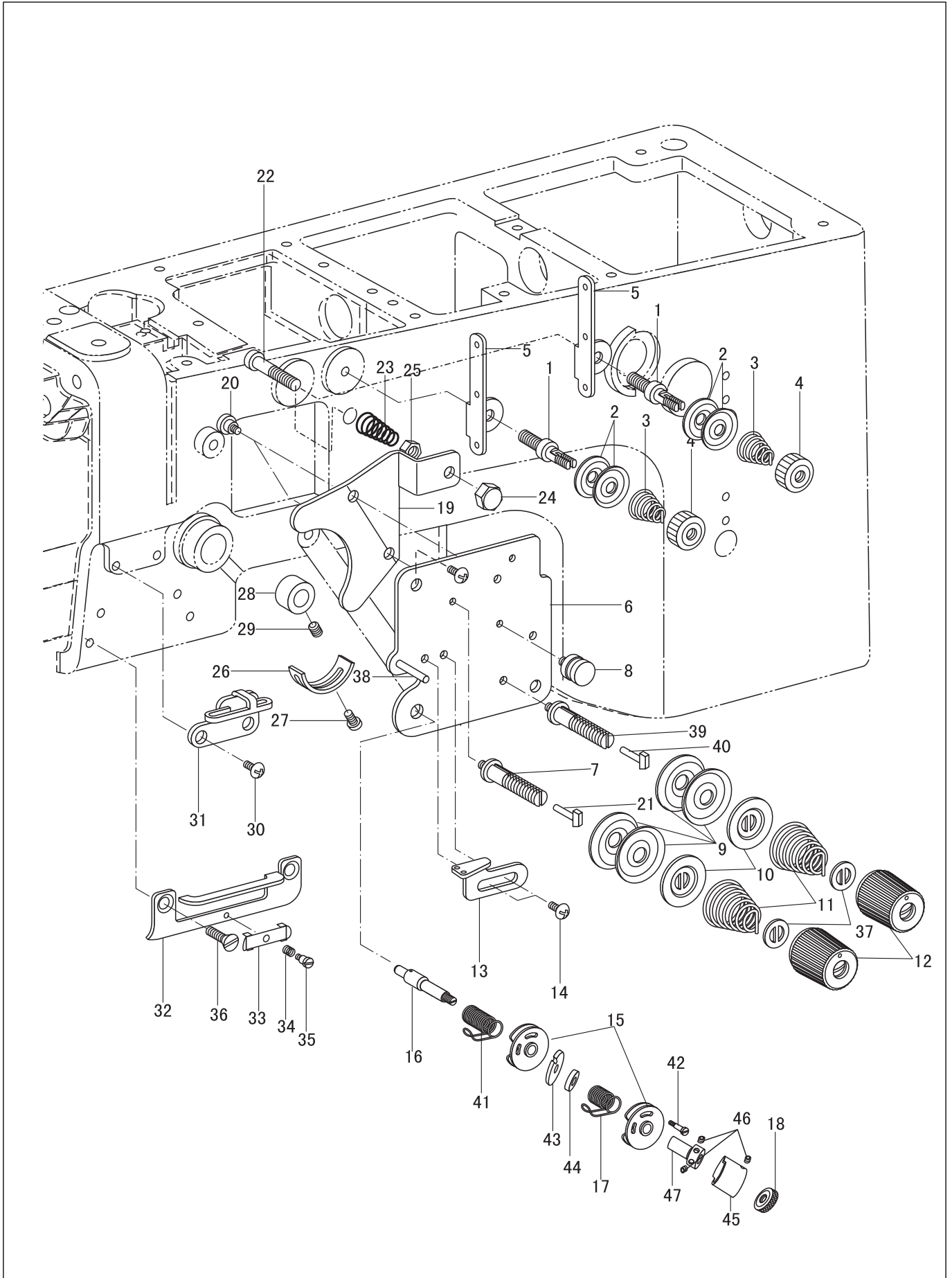
## 20. Thread tension mechanism



## 20. Thread tension mechanism

NO.	PARTS NO.	PARTS NAME	QTY		REMARK
			TW1-898	TW1-898-D2	
1	93WF20-006	Tension adjusting stud	1	1	
2	22T1-009E3	Tension disc	2	2	
3	13WF2-009	Tension spring	1	1	
4	36T2-006D4	Nut	1	1	
5	93WF20-007	Thread guide	1	1	
6	93WF20-008	Tension plate assy	1	1	
7	93WF20-009	Tension adjusting stud	2	2	
8	93WF20-010	Thread guide	1	1	
9	22T1-012F5	Tension disc	4	4	
10	22T1-012F4	Disc presser, tension	2	2	
11	21WF4-031	Tension spring	2	2	
12	21WF4-030	Tension nut	2	2	
13	93WF20-011	Thread retainer	1	1	
14		Screw	2	2	GB818 M4×5
15	103697	Tension spring guide assy	1	1	
16	9WF1-003C	Screw	1	1	GB/T 818 M4×5
17	037515	Tension adjusting stud	1	1	
18	103692	Thread take-up spring	1	1	
19	037537	Tension nut	1	1	
20	93WF20-017	Tension release plate	1	1	
21	21WF4-029	Shoulder screw	2	2	
22	93WF20-018	Shoulder pin, tension release	2	2	
23	93WF20-019	Pusher pin, tension release	1	1	
24	93WF20-001	Spring	1	1	
25	93WF20-002	Nut, cap	1	1	
26		Nut	1	1	GB/T 6170 M4
27	103693	Stopper	1	1	
28	21WF4-015	Screw	1	1	
29	93WF20-022	Collar, tension stud	1	1	
30		Set screw	1	1	GB/T 80 M4×5
31	200WF20-002	Screw	3	3	
32	93WF20-003	Thread guide	1	1	
33	93WF20-025	Thread hook	1	1	
34	93WF20-004	Thread clamp	1	1	
35	1WF1-028	Spring, compression	1	1	
36	93WF20-005	Shoulder screw	1	1	
37		Screw	2	2	GB/T 68 M5×8
38	153209	Stopper	2	2	
39	93WF20-028	Pin, opener	1	1	

## 20. Thread tension mechanism (TW2-898-D2)

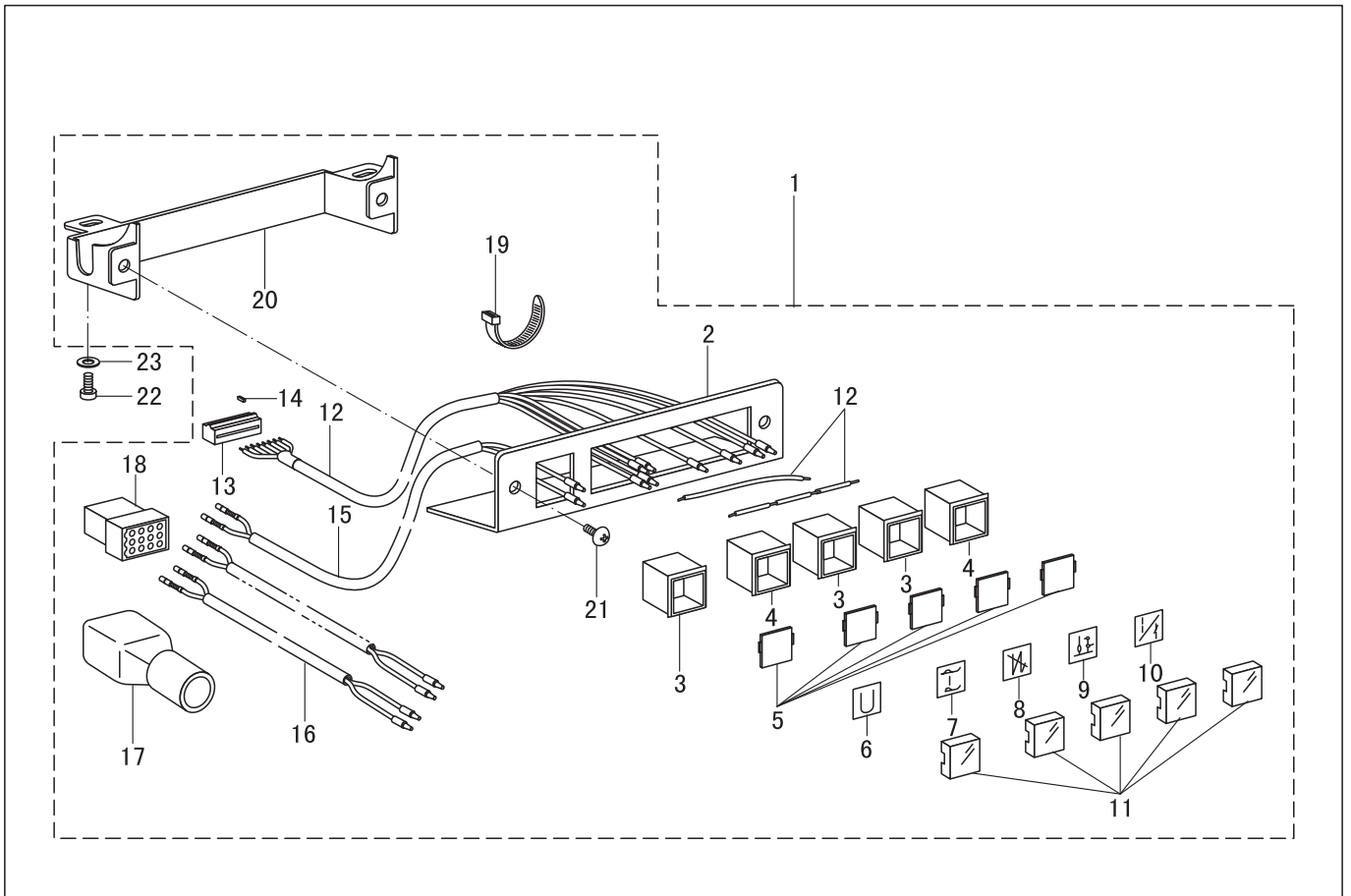




## 20. Thread tension mechanism (TW2-898-D2)

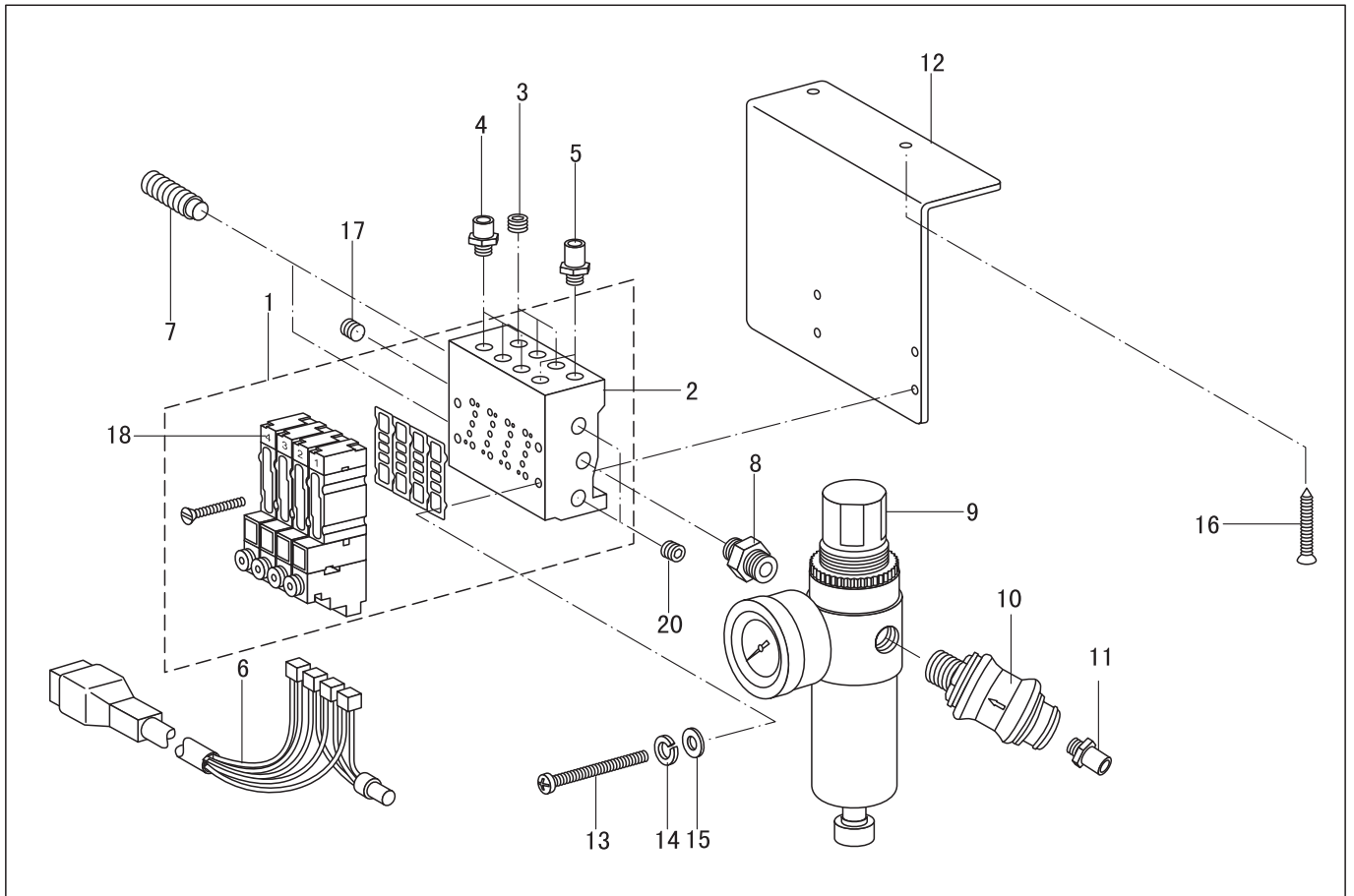
NO.	PARTS NO.	PARTS NAME	QTY	REMARK
			TW2-898-D2	
1	93WF20-006	Tension adjusting stud	2	
2	22T1-009E3	Tension disc	4	
3	13WF2-009	Tension spring	2	
4	36T2-006D4	Nut	2	
5	93WF20-007	Thread guide	2	
6	93WF20-008	Tension plate assy	1	
7	93WF20-009	Tension adjusting stud	1	
8	93WF20-010	Thread guide	1	
9	22T1-012F5	Tension disc	4	
10	22T1-012F4	Disc presser, tension	2	
11	21WF4-031	Tension spring	2	
12	21WF4-030	Tension nut	2	
13	93WF20-011	Thread retainer	1	
14	93WF20-012	Screw	2	GB818 M4×5
15	103697	Tension spring guide assy	2	
16	576466	Tension adjusting stud	1	
17	103692	Thread take-up spring	1	
18	37537	Tension nut	1	
19	93WF20-017	Tension release plate	1	
20	21WF4-029	Shoulder screw	2	
21	93WF20-018	Shoulder pin, tension release	1	
22	93WF20-019	Pusher pin, tension release	1	
23	93WF20-001	Spring	1	
24	93WF20-002	Nut, cap	1	
25		Nut	1	GB/T 6170 M4
26	103693	Stopper	1	
27	21WF4-015	Screw	1	
28	93WF20-022	Collar, tension stud	1	
29		Set screw	1	GB/T 80 M4×5
30	200WF20-002	Screw	3	
31	93WF20-003	Thread guide	1	
32	93WF20-025	Thread hook	1	
33	93WF20-004	Thread clamp	1	
34	1WF1-028	Spring, compression	1	
35	93WF20-005	Shoulder screw	1	
36	211WF2-009	Screw	2	
37	153209	Stopper	2	
38	93WF20-028	Pin, opener	1	
39	193WF20-001	Adjusting screw	1	
40	193WF20-002	Shoulder pin, tension release	1	
41	242414	Thread take-up spring	1	
42	576465	Screw	1	
43	242416	Washer	1	
44	242417	Washer	1	
45	242422	Spring cover	1	
46	661106	Screw	3	
47	242421	Collar	1	

## 21. Manual switch mechanism



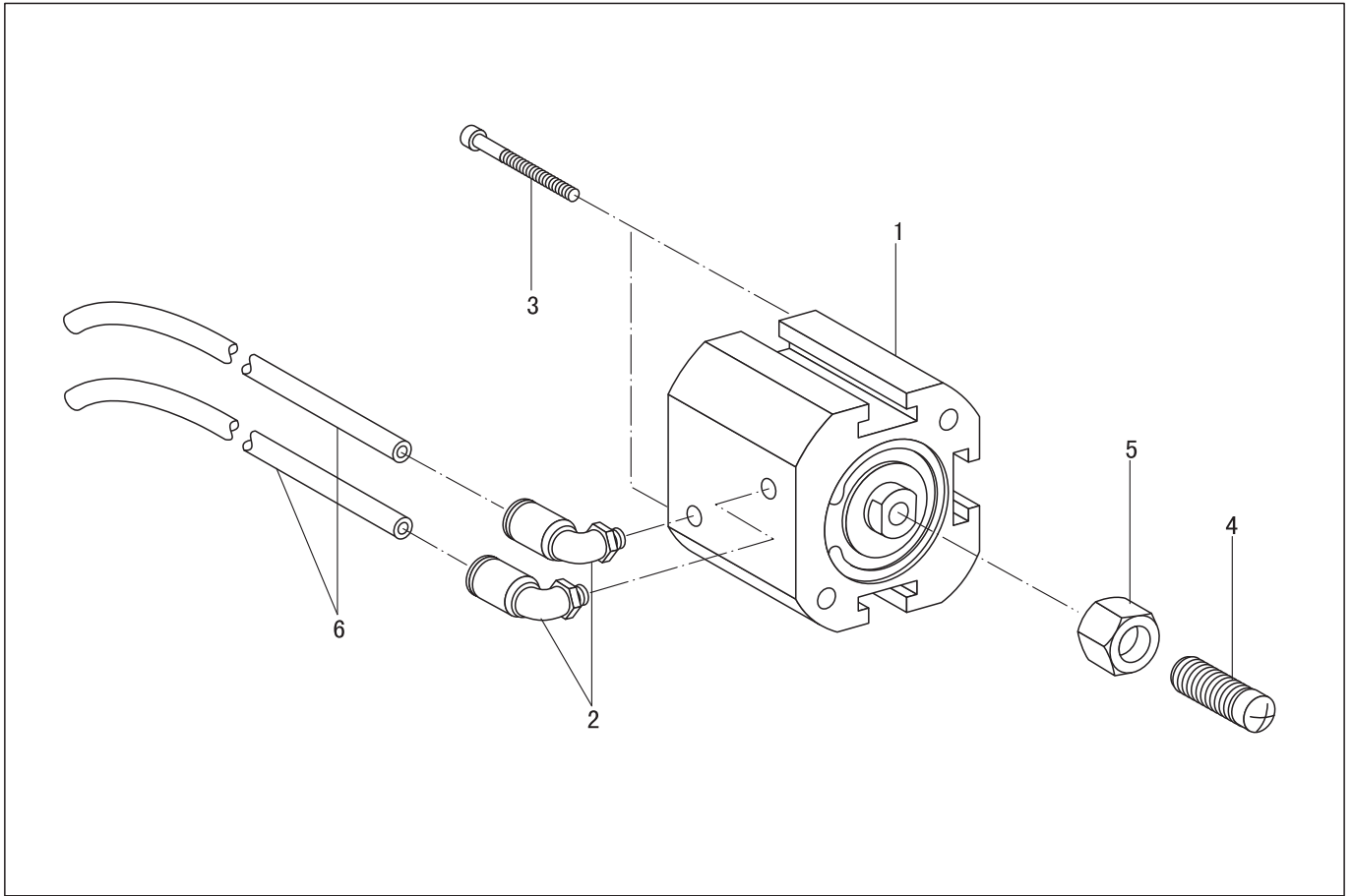
NO.	PARTS NO.	PARTS NAME	QTY	REMARK
			TW1-898-D2	
1	93WF21-001	Switch assy	1	
2	93WF21-002	Switch setting plate	1	
3	93WF21-003	Switch	3	
4	93WF21-004	Switch	2	
5	93WF21-005	Lens	5	
6	93WF21-006	Push button mark	1	
7	93WF21-007	Push button mark	1	
8	93WF21-008	Push button mark	1	
9	93WF21-009	Push button mark	1	
10	93WF21-010	Push button mark	1	
11	93WF21-011	Push button	5	
12	93WF21-012	Harness	1	
13	93WF21-013	Connector	1	
14	93WF21-014	Pin	1	
15	93WF21-015	Harness assy	1	
16	93WF21-016	Harness assy	1	
17	93WF21-017	Connector cap	1	
18	93WF21-018	Nylon connector	1	
19		Fastening band	1	
20	93WF21-020	Switch cover plate	1	
21		Screw	2	GB/T 818 M4×5
22		Bolt	2	GB/T 70.1 M4×6
23		Washer	2	GB/T 97.1 4

## 22. Air presser mechanism



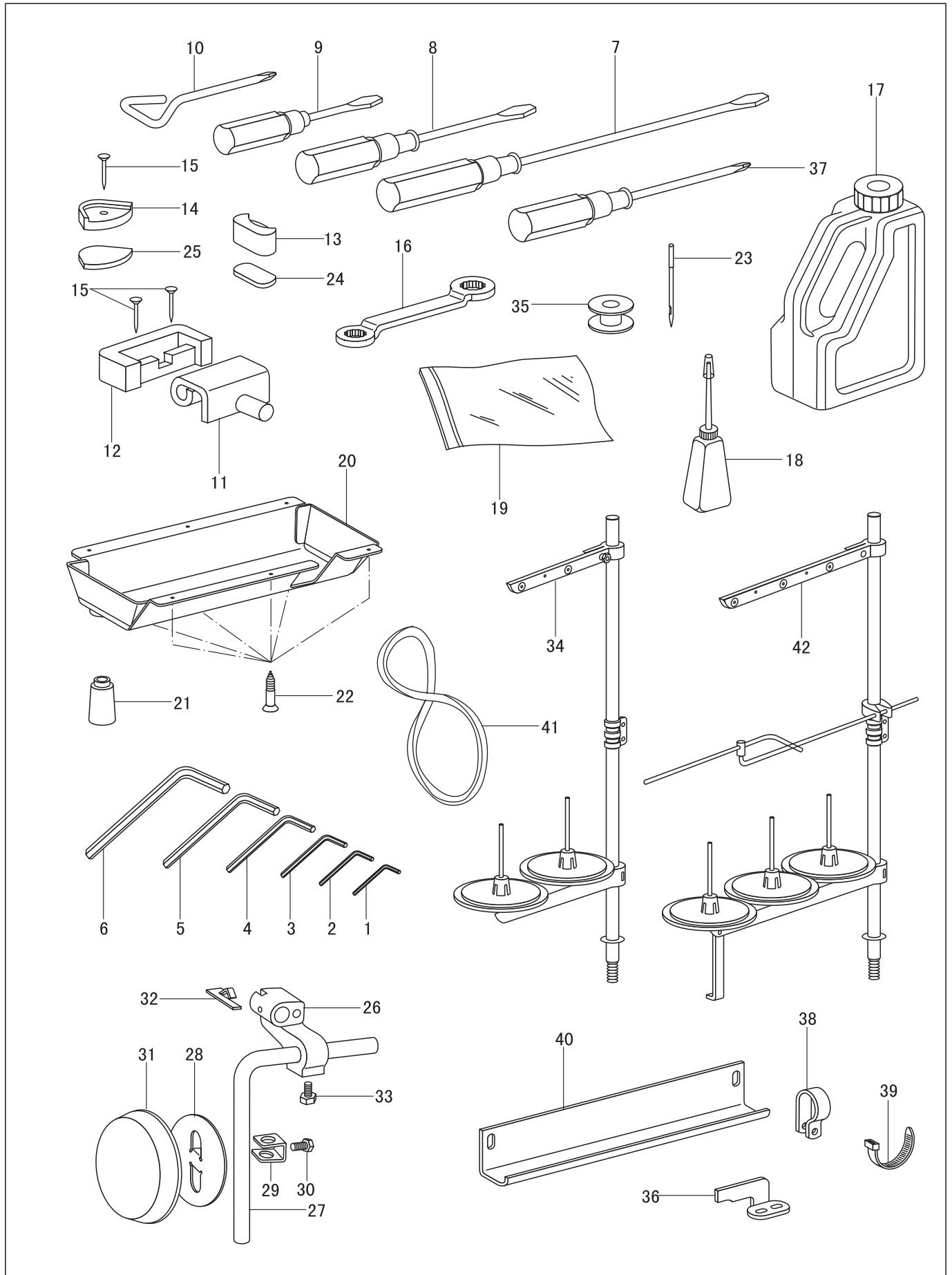
NO.	PARTS NO.	PARTS NAME	QTY	REMARK
			TW1-898-D2	
1	93WF22-002	Solenoid valve assy	4	4V110-06DC24V
2	93WF22-003	Air manifold	1	100M-4F
3	93WF22-004	Plug	3	G1/4
4	93WF22-005	Joint	3	APC4-01
5	93WF22-006	Joint	2	APC6-01
6	93WF22-007	Connector assy	1	
7	93WF22-008	Silencer	2	PSL-02
8	93WF22-009	Joint	1	1/4-1/4
9	93WF22-010	Integrater	1	AFR2000
10	93WF22-011	Ball valve	1	HSV-08
11	93WF22-012	Joint	1	APC8-02
12	93WF22-001	Setting plate	1	
13		Screw	4	GB/T 818 M4×38
14		Washer, spring	4	GB/T 859 4
15		Washer	4	GB/T97.1 4
16		Wood screw	2	GB 99 5×20
17	93WF22-015	Plug	3	G1/8
18	117WF22-015	Mark	1	

## 23. Presser foot actuator mechanism



NO.	PARTS NO.	PARTS NAME	QTY	REMARK
			TW1-898-D2	
1	93WF23-001	Cylinder	1	SU239 32×20
2	93WF23-002	Joint	2	APL6-01
3		Bolt	2	GB/T 70.1 M5×45
4	93WF23-004	Screw	1	
5	93WF23-005	Nut	1	GB/T 6172.1 M8
6		Air tube	2	L=870mm

## 24. Accessories



## 24. Accessories

NO.	PARTS NO.	PARTS NAME	QTY			REMARK
			TW1- 898	TW1- 898-D2	TW2- 898-D2	
1		Hexagonal wrench	1	1	1	S=1.5
2		Hexagonal wrench	1	1	1	S=2
3		Hexagonal wrench	1	1	1	S=2.5
4		Hexagonal wrench	1	1	1	S=3
5		Hexagonal wrench	1	1	1	S=4
6		Hexagonal wrench	1	1	1	S=5
7	33TF-012	Screw driver, L	1	1	1	
8	33TF-013	Screw driver, M	1	1	1	
9	33TF-014	Screw driver, S	1	1	1	
10	93WF24-015	Screw driver, plus	1	1	1	
11	22T9-007F1	Hinge	2	2	2	
12	17WF8-011	Rubber cushion	2	2	2	
13	93WF24-002	Corner support	2	2	2	
14	93WF24-003	Head cushion	2	2	2	
15		Nail	6	6	6	SG162 L=19
16		Double wrench	1	1	1	8×10 GB/T4388-1995
17	22T9-017	Oil tank	1	1	1	
18	33TF-011	Oiler	1	1	1	
19	33TF-010	Accessories bag	1	1	1	
20	93WF24-019	Oil pan	1	1	1	
21		Poly oiler	1	1	1	
22		Wood screw	6	6	6	GB 100 3.5×12
23		Needle	3	4	2	DP×17 22#
24	93WF24-004	Spacer	2	2	2	
25	93WF24-005	Spacer	2	2	2	
26	93WF24-022	Knee lifter bracket	1	-	-	
27	22T9-003B2	Knee lifter bar	1	-	-	
28	22T9-003B5	Knee lifter plate	1	-	-	
29	22T9-003B6	Stopper, k-lifter plate	1	-	-	
30	22T9-003B6	Bolt	1	-	-	SM11/64" ×28/8
31	22T9-003B8	Cover, k-lifter plate	1	-	-	
32	93WF24-006	Leafspring	1	-	-	
33		Bolt	1	-	-	GB/T 5781 M8×10
34	33TF-019	Thread stand assy	1	-	-	
35	93WF14-042	Bobbin	3	4	4	
36	93WF19-002	Fixed knife	-	1	2	
37	93WF24-025	Screw driver, hexagonal	1	1	1	
38	93WF16-016	Cushion clamp	-	1	1	
39		Cable tie	-	1	1	4×200
40	93WF24-026	Wire cover	-	1	1	
41		V-belt	1	1	1	M42
42	1F-014	Thread stand (2-thread)	-	-	1	

# TW1-898/-D2

HIGH SPEED COMPOUND FEED AND  
WALKING FOOT LOCKSTITCH SEWING MACHINE



This machine may only be operated by adequately trained operators only after having completely read and understood the instruction manual.

Parts are subject to changes in design without prior notice.



**VETRON TYPICAL EUROPE GmbH**  
Clara-Immerwahr-Str. 6  
67661 Kaiserslautern, Germany  
Tel.: +49 6301 320 75-0  
Fax: +49 6301 320 75-11

[info@vetrontypical.com](mailto:info@vetrontypical.com)  
[www.vetrontypical.com](http://www.vetrontypical.com)