

平头锁眼机 零件手册

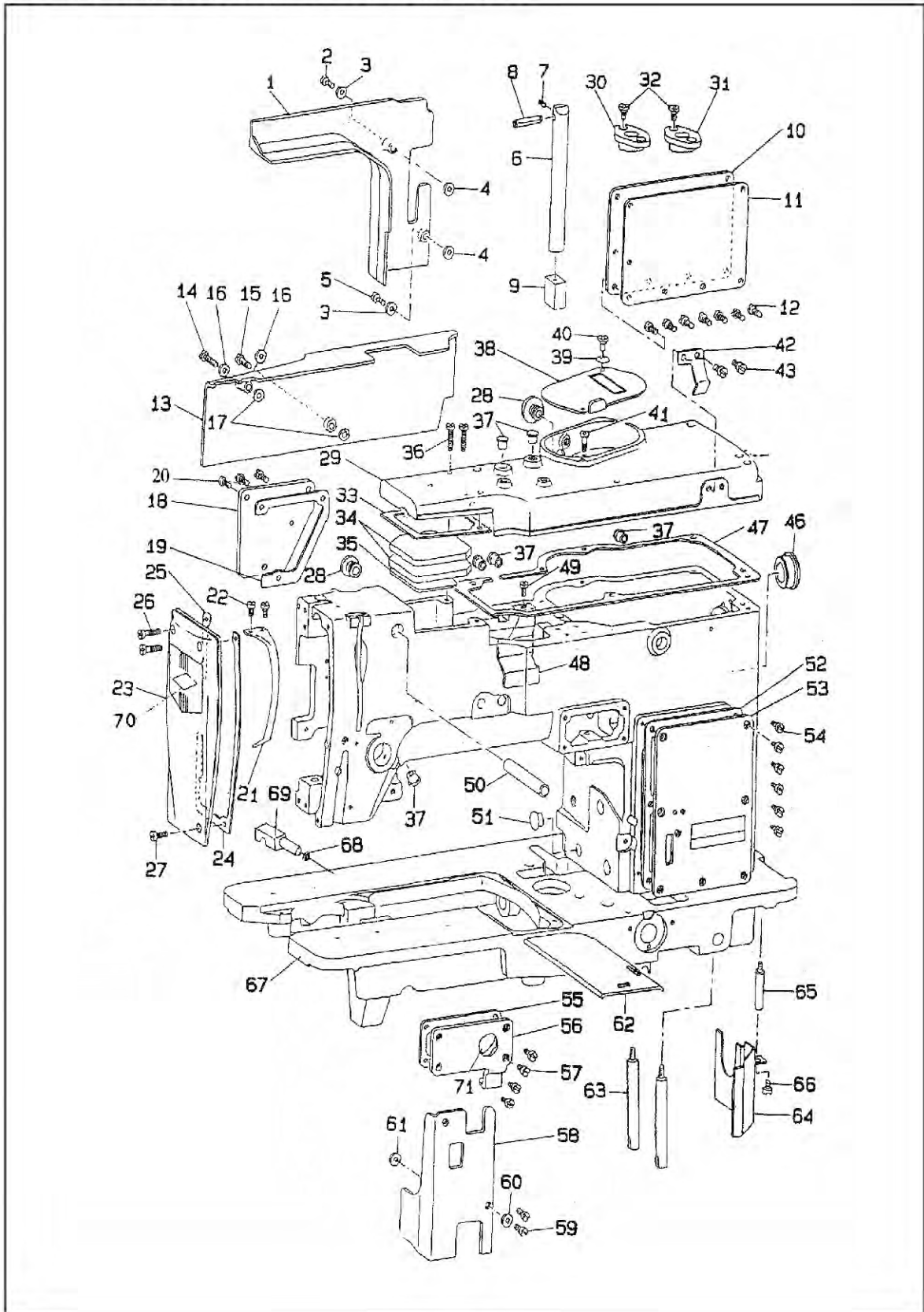
ZJ781

LOCKSTITCH STRAIGHT BUTTON HOLING MACHINE PARTS BOOK



1. 机头面板部分

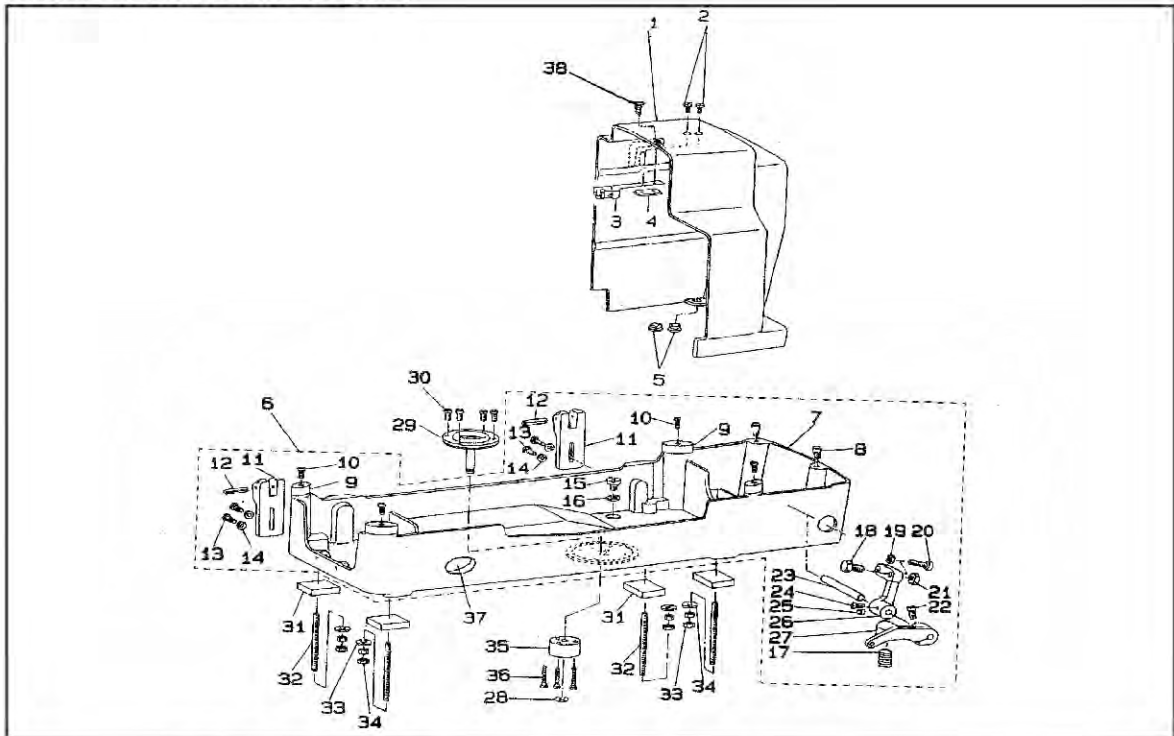
FRAME & MISCELLANEOUS COVER COMPONENTS



序号 REF NO	图号 PART NO	零件名称	DESCRIPTION	数量 Qty
1	95-01-001	左下侧盖板	FRAME SIDE COVER	1
2	95-01-002	螺钉 SM11/64 × 40 × 12(7 × 2.5)	SCREW 11/64-40 L=12	1
3	95-01-003	垫圈	WASHER	2
4	95-01-004	侧盖垫	CUSHION	2
5	95-01-005	螺钉 SM11/64 × 40 × 12(7 × 2.5)	SCREW 11/64-40 L=12	1
6	95-01-006	机头支柱	MACHINE ARM SUPPORT ROD	1
7	95-01-007	螺钉 SM1/64 × 40 × 5	SCREW 11/64-40 L=5	1
8	95-01-008	销 6 × 28	PIN	1
9	95-01-009	机头支柱橡胶垫	RUBBER CUSHION	1
10	95-01-010	机头左侧后盖板	SIDE COVER	1
11	95-01-011	右侧后盖板垫	SCREW COVER GASKET	1
12	95-01-012	螺钉 SM11/64 × 40 × 9(7 × 2.5)	SCREW 11/64-40 L=9	7
13	95-01-013	左上侧护板	FRAME SIDE COVER	1
14	95-01-014	螺钉 SM11/64 × 40 × 22(7 × 2.5)	SCREW 11/64-40 L=22	1
15	95-01-015	螺钉 SM11/64 × 40 × 18(7 × 2.5)	SCREW 11/64-40 L=18	1
16	95-01-016	侧盖垫	CUSHION	2
17	95-01-017	橡胶垫	FRAME SIDE COVER GASKET	2
18	95-01-018	机头左侧前盖板	LEFT SIDE COVER	1
19	95-01-019	左侧前盖板垫	SIDE COVER GASKER	1
20	95-01-020	螺钉 SM11/64 × 40 × 9(7 × 2.5)	SCREW 11/64-40 L=9	3
21	95-01-021	挑线护板	THREAD TAKE-UP LEVER OIL GUARD	1
22	95-01-022	螺钉 SM11/64 × 40 × 5(6 × 2.5)	SCREW 9/64-40 L=5	2
23	95-01-023	机头面板	FACE COVER COMPLETE	1
24	95-01-024	机头面板垫(A)	GASKET(A)	1
25	95-01-025	机头面板垫(B)	FACE PLATE GASKET(B)	1
26	95-01-026	螺钉 SM11/64 × 40 × 14(7 × 2.5)	SCREW 11/64-40 L=14	2
27	95-01-027	螺钉 SM11/64 × 40 × 9(7 × 2.5)	SCREW 11/64-40 L=9	1
28	95-01-028	橡胶垫	RUBBER PLUG	2
29	95-01-029	上盖	TOP COVER	1
30	95-01-030	蜗轮轴盖	WORM GEAR SHAFT METAL	1
31	95-01-031	送料轴套	CAM DRIVING SHAFT METAL	1
32	95-01-032	螺钉 SM3/16 × 40 × 18(7 × 2.5)	SCREW 3/16-28 L=6	4
33	95-01-033	前上盖板垫	TOP COVER GASKET FRONT	1
34	95-01-034	油毡	OIL FELT	2
35	95-01-035	油毡垫板	OIL FELT RETAINER	1
36	95-01-036	螺钉 SM11/64 × 40 × 18(7 × 2.5)	SCREW 11/64-40 L=8	6
37	95-01-037	橡胶垫	RUBBER PLUG	6
38	95-01-038	齿轮箱盖板	GEAR CASE COVER	1
39	95-01-039	碟形弹簧	DISK SPRING	2
40	95-01-040	齿轮箱盖螺栓	HINGE SCREW	1
41	95-01-041	螺钉 SM11/64 × 40 × 12.8(6.5 × 4.2)	SCREW 11/64-40 L=12.8	1
42	95-01-042	手柄制动簧	HAND STOP LATCH	1
43	95-01-043	螺钉 SM11/64 × 40 × 7(7 × 2)	SCREW 11/64-40 L=7	2
46	95-01-046	橡胶垫堵	RUBBER PLUG	1
47	95-01-047	右上盖板垫	TOP COVER GASKET, REAR	1
48	95-01-048	挡油板	ARM OIL SHIELD	1
49	95-01-049	螺钉 SM11/64 × 40 × 7(7 × 2)	SCREW 11/64-40 L=7	1
50	95-01-050	停刀勾轴套	KNIFE STOP LEVER SHAFT GUIDE	1
51	95-01-051	橡胶堵	RUBBER PLUG	1
52	95-01-052	右侧后盖垫	SIDE COVER GASKET	1
53	95-01-053	机头右侧后盖垫	SIDE COVER	1
54	95-01-054	螺钉 SM11/64 × 40 × 9(7 × 2.5)	SCREW 11/64-40 L=9	7
55	95-01-055	右侧前盖板垫	OIL SIGHT WINDOW GASKET	1
56	95-01-056	机头右侧前盖板组件	SIDE COVER ASM. B	1
57	95-01-057	螺钉 SM11/64 × 40 × 9(7 × 2.5)	SCREW 11/64-40 L=9	4
58	95-01-058	右侧护板	SIDE COVER A	1
59	95-01-059	螺钉 SM11/64 × 40 × 14(7 × 2.5)	SCREW 11/64-40 L=14	2
60	95-01-060	垫圈	WASHER	2
61	95-01-061	侧盖垫	CUSHION	2
62	95-01-062	底板滑板盖	BED SLIDE	1
63	95-01-063	机头底板支腿	BED SCREW STUD	2
64	95-01-064	底板挡油板组件	BED OIL SHIELD	1
65	95-01-065	防油罩螺栓	LOOPER COVER OIL SHIELD STUD	1
66	95-01-066	螺钉 SM11/64 × 40 × 5(8 × 2.5)	SCREW 11/64-40 L=5	1
67	95-01-067	机头底板组合	MACHINE HEAD ASM.	1
68	95-01-068	橡胶垫圈	CUSHION	2
69	95-01-069	机座铰垫	BASE HINGE	2
70	95-01-070	装饰牌	MARK	1
71	95-01-071	油窗	OIL WINDOW	1

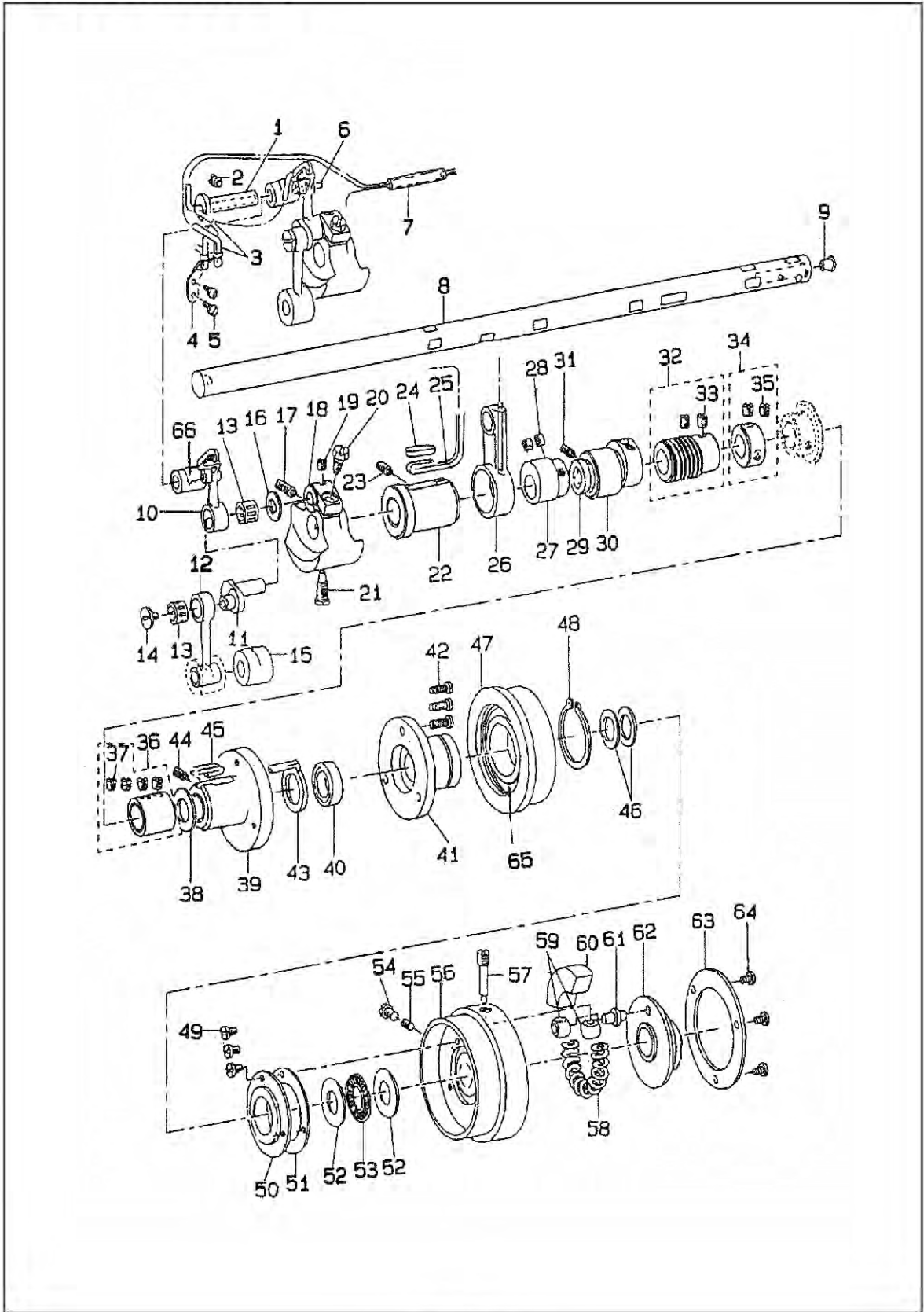
2. 机座部分

MACHINE BASE COMPONENTS



序号 REF NO	图号 PART NO	零件名称	DESCRIPTION	数量 Qty
1	95-02-001	皮带罩	BELT GUARD	1
2	95-02-002	螺钉 SM11/64 × 40 × 8.5(7 × 2.5)	SCREW 11/64-40 L=8.5	2
3	95-02-003	皮带罩安装夹	BELT GUARD SET SCREW	1
4	95-02-004	安装夹导板	BOTTOM GUIDE	1
5	95-02-005	橡胶轴套	RUBBER BUSHING	2
6	95-02-006	机座组件	MACHINE BASE ASM.	1
7	95-02-007	机座	HEAD BASE.	(1)
8	95-02-008	导销	GUIDE PIN	(2)
9	95-02-009	橡胶垫	RUBBER CUSHION	(4)
10	95-02-010	螺钉 SM11/64 × 40 × 10.5(6.8 × 2)	SCREW 11/64-40 L=10.5	(4)
11	95-02-011	机座铰链架	HINGE HOLDER	(2)
12	95-02-012	销 6 × 28	PIN	(2)
13	95-02-013	螺栓 SM11/64 × 28 × 20.5(9 × 4)	SCREW 15/64-28 L=20.5	(4)
14	95-02-014	垫圈	WASHER	(4)
15	95-02-015	螺钉 SM3/8 × 28 × 10(17 × 3.5)	SCREW 3/8-28 L=10	(1)
16	95-02-016	密封垫圈	OIL DRAIN CAP GASKET	(1)
17	95-02-017	运动架弹簧	STARTING LEVER PRESSURE SPRING	(1)
18	95-02-018	起动机架螺钉	SCREW	(1)
19	95-02-019	螺母 SM15/64 × 28(9 × 3)	NUT 15/64-28	(1)
20	95-02-020	限位螺钉组件	STOP SCREW ASM.	(1)
21	95-02-021	螺母 SM5/16 × 18(14 × 6)	NUT 5/16-18	(1)
22	95-02-022	螺钉 SM15/64 × 28 × 12(10 × 3.5)	SCREW 15/64-28 L=12	(1)
23	95-02-023	起动机架轴	STARTING LINK SHAFT	(1)
24	95-02-024	紧定螺栓	BOLT	(1)
25	95-02-025	螺钉 SM15/64 × 28 × 7	SCREW 15/64-28 L=7	(1)
26	95-02-026	起动机架	STARTING LINK	(1)
27	95-02-027	起动机架杆	STARTING LEVER	(1)
28	95-02-028	挡圈6	E-SHAPED SNAP RING	1
29	95-02-029	密封顶杆	SHIFTER DRIVING PIN	1
30	95-02-030	螺钉 SM11/64 × 40 × 8.5(7 × 2.5)	SCREW 11/64-40 L=8.5	4
31	95-02-031	机座毡座	MACHINE BASE FELT PAD	4
32	95-02-032	螺钉 SM15/64 × 28 × 69	SCREW 15/64-28 L=69	4
33	95-02-033	垫圈6	WASHER	4
34	95-02-034	螺母 SM15/64 × 28(9 × 3)	NUT 15/64-28	8
35	95-02-035	传动销座	DRIVING PIN BASE	1
36	95-02-036	螺钉 SM11/64 × 40 × 24(7 × 3.2)	SCREW 11/64-40 L=24	3
37	95-02-037	油标	OIL LEVER WINDOW	1
38	95-02-038	螺钉 SM11/64 × 40 × 7.5(5.6)	SCREW 11/64-40 L=7.5	1

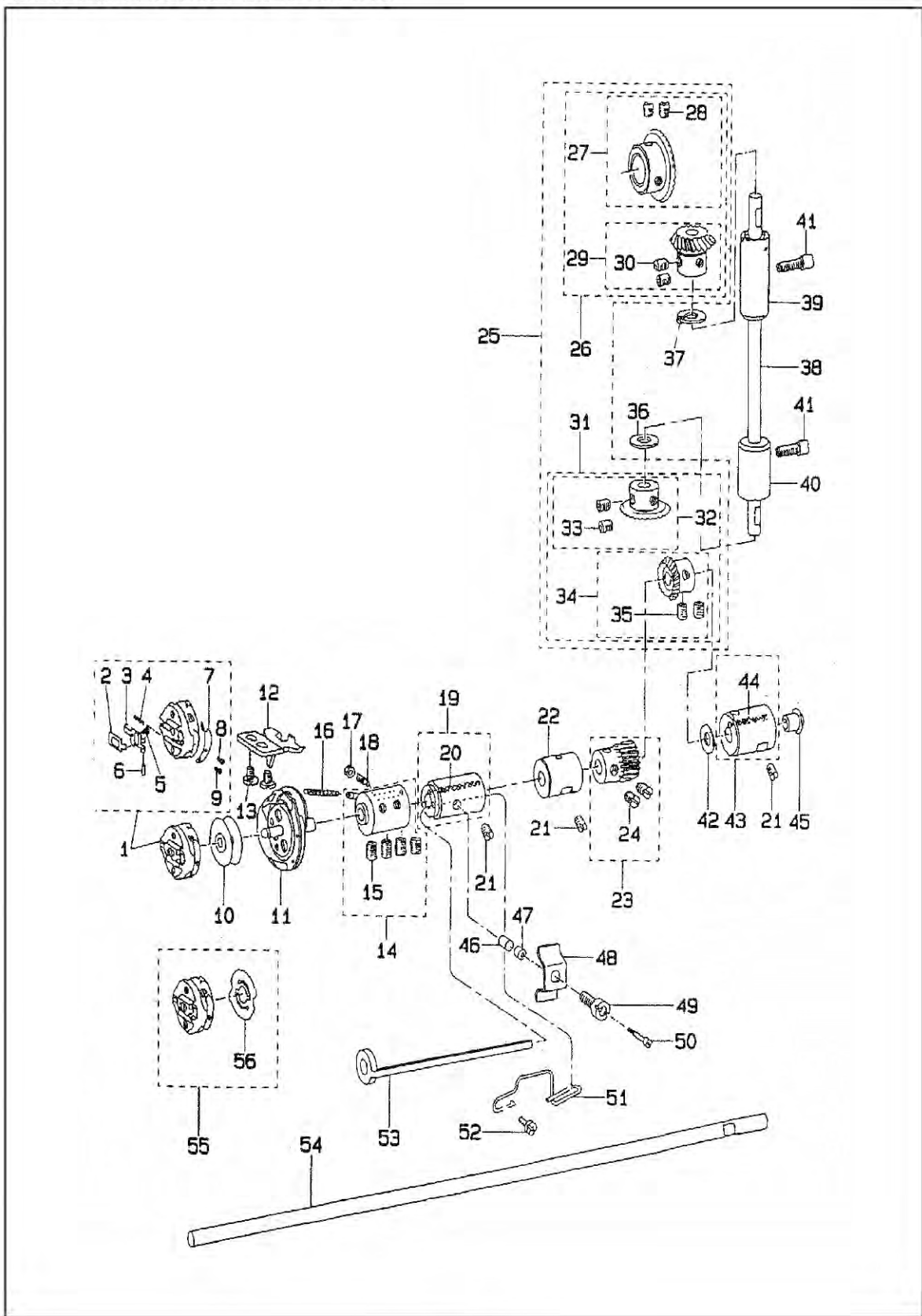
3. 上轴部分
 MAIN SHAFT COMPONENTS



序号 REF NO	图号 PART NO	零件名称	DESCRIPTION	数量 Qty
1	95-03-001	挑线摇杆轴	HINGE SUTD	1
2	95-03-002	螺钉 SM15/64×28×10.5(4×2)	SCREW 15/64-28 L=10.5	1
3	95-03-003	油线Φ2×280	OIL WICK	1
4	95-03-004	油绳托架	OIL WICK HOLDER	2
5	95-03-005	螺钉 SM9/64×40×4.6(6×2.2)	SCREW 9/64-40 L=4.6	1
6	95-03-006	油线卡	OIL WICK SNAP RING	1
7	95-03-007	塑料管Φ5.5×1×30	VINYL PLPE	1
8	95-03-008	上轴	MAIN PIPE	1
9	95-03-009	橡胶堵	MAIN SHAFT	1
10	95-03-010	挑线杆组件	RUBBER PLUG	1
11	95-03-011	针杆曲柄	THREAD TAKE-UP LEVER ASM.	2
12	95-03-012	针杆连杆	NEEDLE BAR CRANK	1
13	95-03-013	轴承K081208	NEEDLE BAR CRANK CONNECTING ROD	1
14	95-03-014	针杆连杆螺钉	NEEDLE BEARING	1
15	95-03-015	针杆连杆毛毡	LEFT SCREW	1
16	95-03-016	垫	OIL FELT WASHER	1
17	95-03-017	螺钉 SM9/32×28×16(4.6×2)	NEEDLE ROD CRANK WASHER	1
18	95-03-018	上轴平衡块	SCREW 9/32-28 L=6	1
19	95-03-019	螺钉 SM1/4×40×6	SCREW 1/4-40 L=12	1
20	95-03-020	螺钉 SM1/4×40×12(9×4)	SCREW	2
21	95-03-021	平衡块锥端紧固螺钉	BUSHING FRONT	1
22	95-03-022	上轴前套组件	SCREW 15/64-28 L=7	2
23	95-03-023	螺钉 SM15/64×28×7	OIL FELT	1
24	95-03-024	上轴前套短毛毡	OIL WICK	1
25	95-03-025	上轴前套长毛毡	KNIFE BAR DRIVING CONNECTING ROD	1
26	95-03-026	落刀架连杆	KNIFE DRIVING ECCENTRIC	2
27	95-03-027	落刀偏心轮	KNIFE BAR DRIVING ECCENTRIC	1
28	95-03-028	螺钉 SM1/4×40×8	SCREW 1/4-40 L=8	2
29	95-03-029	油封	OIL SEAL	1
30	95-03-030	油泵泵体	MAIN SHAFT BUSHING INTERMEDIATE	1
31	95-03-031	螺钉 SM15/64×28×10.5(4×2)	SCREW 15/64-28 L=10.5	1
32	95-03-032	蜗杆组件	WORM ASM.	1
33	95-03-033	螺钉 SM1/4×40×6	SCREW 1/4-40 L=6	1
34	95-03-034	上轴紧圈组件	THRUST COLLAR ASM.	2
35	95-03-035	螺钉 SM1/4×40×4.5	SCREW 1/4-40 L=4.5	1
36	95-03-036	上轴后挡圈组件	MAIN SHAFT THRUST COLLAR ASM.	2
37	95-03-037	螺钉 SM1/4×40×4.5	SCREW 1/4-40 L=4.5	1
38	95-03-038	上轴后套垫圈	MAIN SHAFT THRUST WASHER	4
39	95-03-039	上轴后套	UPPER SHAFT REAR METAL	1
40	95-03-040	油封	OIL SEAL	1
41	95-03-041	轴承挡套	BEARING RETAINER	1
42	95-03-042	螺钉 SM11/64×40×9(7×2.2)	SCREW 11/64-40 L=9	1
43	95-03-043	上轴后套油毡	FELT	3
44	95-03-044	螺钉 SM15/64×28×7	SCREW 15/64-28 L=7	1
45	95-03-045	摆轴前套毛毡	OIL WICK	1
46	95-03-046	调整垫圈	WASHER	1
47	95-03-047	滑动皮带轮组件	LOOSE PULLEY ASM.	2
48	95-03-048	挡圈	RETAINING RING	1
49	95-03-049	螺钉 SM9/64×40×3.5(6×2.2)	SCREW 9/64-40 L=3.5	1
50	95-03-050	轴承盖	MAIN SHAFT THRUST SEEL	3
51	95-03-051	轴承盖垫	GASKET	1
52	95-03-052	滚针轴承 889102+AS152801 垫圈	THRUST WASHER	2
53	95-03-053	滚针轴承 889102+AS152801	BEARING	1
54	95-03-054	螺钉 SM1/4×40×5(7.5×1.5)	SCREW 1/4-40 L=5	1
55	95-03-055	螺钉 SM1/4×40×5(3)	SCREW 1/4-40 L=5	1
56	95-03-056	上轴皮带轮	DRIVING PULLEY	1
57	95-03-057	定位销	SCREW	1
58	95-03-058	缓冲弹簧	STOP CAM PRESSURE SPRING	1
59	95-03-059	球形块	STOP-MOTION CAM PIN SLIDE BLOCK	2
60	95-03-060	定位块	BRAKELITE SEGMENT	1
61	95-03-061	球形块定位销	STOP-MOTION CAM POSITION PIN	1
62	95-03-062	制动定位凸轮	STOP-MOTION CAM	1
63	95-03-063	定位凸轮挡圈	STOP MOTION CAM PRESSER PLATE	1
64	95-03-064	螺钉 SM11/64×40×7(7)	SCREW 11/64-40 L=7	3
65	95-03-065	轴承80106	BEARING	1
66	95-03-066	挑线摇杆	THREAD TAKE-UP CRANK LEVER ASM	1

4. 立轴及下轴部分

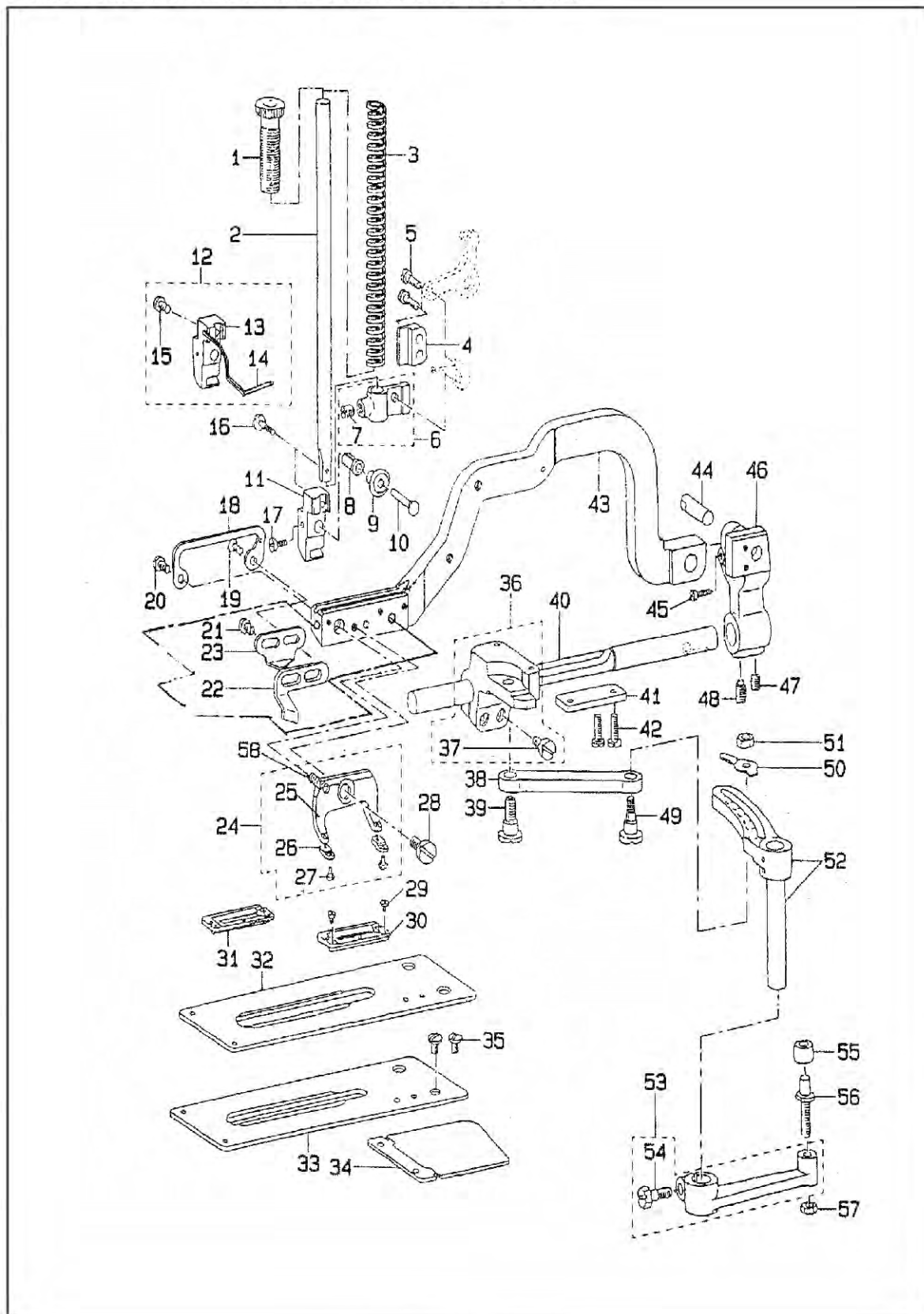
HOOK DRIVING SHAFT COMPONENTS



序号 REF NO	图号 PART NO	零件名称	DESCRIPTION	数量 Qty
1	95-04-001	梭心套组件	BOBBIN CASE ASM.	1
2	95-04-002	梭壳门杠杆	BOBBIN CASE LATCH LEVER	1
3	95-04-003	梭壳门	BOBBIN CASE LATCH	1
4	95-04-004	梭壳门弹簧	LATCH SPRING	1
5	95-04-005	梭壳门限位螺钉	LATCH STOP SCREW	1
6	95-04-006	铰销	LINGE PIN	1
7	95-04-007	涨紧弹簧	TENSION SPRING	1
8	95-04-008	涨紧弹簧	TENSION SCREW	1
9	95-04-009	夹紧螺钉	CLAMP SCREW	1
10	95-04-010	梭芯	BOBBIN	1
11	95-04-011	旋梭组件	HOOK ASM.	1
12	95-04-012	旋梭定位板	BOBBIN CASE POSITIONING PLATE	1
13	95-04-013	螺钉 SM11/64×40×5(87×2.3)	SCREW 11/64-40 L=5	2
14	95-04-014	旋梭套组件	HOOK SLEEVE ASM.	1
15	95-04-015	螺钉 SM1/4×40×6(3)	SCREW 1/4-40 L=6.0	4
16	95-04-016	油线Φ2×18	OIL WICK	1
17	95-04-017	螺母 SM9/64×40(6×3)	NUT 6/64-40	1
18	95-04-018	油量调节螺钉	ADJUSTING SCREW	1
19	95-04-019	下轴前套组件	BUSHING ASM.,FRONT	1
20	95-04-020	油线Φ3×31	OIL WICK	1
21	95-04-021	螺钉 SM15/64×28×7	SCREW 15/64-28 L=7	3
22	95-04-022	下轴中套	BUSHING, INTERMEDIATE	1
23	95-04-023	小齿轮组件	PINION ASM.	1
24	95-04-024	螺钉 SM1/4×40×6	SCREW 1/4-40 L=6	2
25	95-04-025	齿轮组件	GEAR & PINION ASM.	1
26	95-04-026	上部齿轮组件	GEAR & PINION ASM. UPPER	1
27	95-04-027	上轴锥齿轮	GEAR ASM.	1
28	95-04-028	螺钉 SM1/4×40×7(7×4)	SCREW 1/4-40 L=7.0	2
29	95-04-029	立轴上锥齿轮	PINION ASM.	1
30	95-04-030	螺钉 SM1/4×40×7(7×4)	SCREW 1/4-40 L=7.0	2
31	95-04-031	下部齿轮组件	GEAR & PINION ASM LOWER	1
32	95-04-032	立轴下锥齿轮	GEAR ASM.	1
33	95-04-033	螺钉 SM1/4×40×7(7×4)	SCREW 1/4-40 L=7.0	2
34	95-04-034	下轴锥齿轮	PINION ASM.	1
35	95-04-035	螺钉 SM1/4×40×7(7×4)	SCREW 1/4-40 L=7.0	2
36	95-04-036	调整垫	WASHER	1
37	95-04-037	止推垫圈	THRUST WASHER	1
38	95-04-038	立轴	UPPIGHT SHAFT	1
39	95-04-039	立轴上套组件	BUSHING, UPPER	1
40	95-04-040	立轴下套组件	BUSHING, LOWER	1
41	95-04-041	螺钉 SM15/64×28×11.5(8×5)	SCREW 15/64-28 L=11.5	2
42	95-04-042	止推垫圈	WASHER	1
43	95-04-043	下轴后套组件	BUSHING ASM., REAR	1
44	95-04-044	油线Φ3×27	OIL WICK	1
45	95-04-045	橡胶塞	RUBBER PLUG	1
46	95-04-046	油量调节橡胶组件	HOOK OIL SUPPLY RUBBER ASM.	1
47	95-04-047	调节油量橡胶嵌件	BUSHING	1
48	95-04-048	板弹簧	PLATE SPRING	1
49	95-04-049	旋梭油量调节螺钉	HOOK OIL ADJUSTING SCREW	1
50	95-04-050	定位螺钉	POSITIONING SCREW	1
51	95-04-051	油毡夹	OIL SUPPLY FELT HOLDER	1
52	95-04-052	螺钉 SM15/64×28×7(10×4)	SCREW 15/64-28 L=7	1
53	95-04-053	供油毛毡	OIL SUPPLY FELT	1
54	95-04-054	下轴	HOOK DRIVING SHAFT	1
55	95-04-055	梭心套组件	BOBBIN CASE ASM.	1
56	95-04-056	弹簧	SPRING	1

5. 压紧杆、送料托板部分

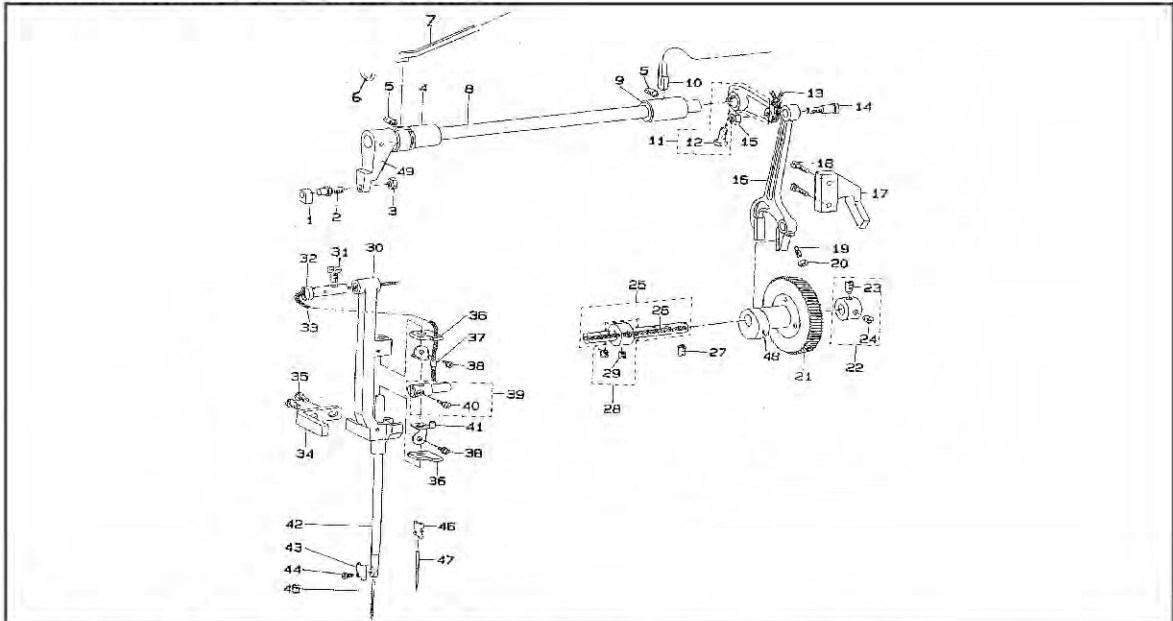
PRESSER BAR, WORK CLAMP CARRIER COMPONENTS



序号 REF NO	图号 PART NO	零件名称	DESCRIPTION	数量 Qty
1	95-05-001	压脚调压螺钉	PRESSER SPRING REGULATOR	1
2	95-05-002	压脚杆	PRESSER BAR	1
3	95-05-003	压脚杆弹簧	PRESSER SPRING	1
4	95-05-004	压脚杆导板	PRESSER BAR GUIDE BRACKET	1
5	95-05-005	螺钉 SM11/64 × 40 × 12.8(6.5 × 4)	SCREW 11/64-40 L=12.8	2
6	95-05-006	压脚杆定位板	PRESSER BAR POSITION BRACKET	1
7	95-05-007	螺钉 SM1/4 × 40 × 8	SCREW 1/4-40 L=8	1
8	95-05-008	定位套	COLLAR	1
9	95-05-009	滑轮	SLIDE ROLLER	1
10	95-05-010	联接轴	CONNECTING PIN	1
11	95-05-011	滑轮架	BRACKET	1
12	95-05-012	滑轮架组件	BRACKET ASM.	1
13	95-05-013	滑轮架	BRACKET	1
14	95-05-014	手指护架	FINGER GUARD	1
15	95-05-015	螺钉 SM9/64 × 40 × 6.8(7 × 2.5)	SCREW 9/64-40 L=6.8	1
16	95-05-016	压脚杆紧固螺钉	SCREW	1
17	95-05-017	螺钉 SM11/64 × 40 × 7(6.8 × 2)	SCREW 11/64-40 L=7	1
18	95-05-018	压脚架托架	WORK CLAMP BRACKET	1
19	95-05-019	螺钉 SM11/64 × 40 × 9(7)	SCREW 11/64-40 L=9	1
20	95-05-020	螺钉 SM11/64 × 40 × 8(7.8 × 2)	SCREW 11/64-40 L=8	1
21	95-05-021	螺钉 SM11/64 × 40 × 8(7.8 × 2)	SCREW 11/64-40 L=8	1
22	95-05-022	闭剪导板	NEEDLE THREAD TRIMMER GUIDE	1
23	95-05-023	开剪导板	NEEDLE THREAD TRIMMER GUIDE	1
24	95-05-024	3/4英寸压脚固定架组件	WORK CLAMP CHECK HOLDER ASM.	1
25	95-05-025	3/4英寸压脚固定架	WORK CLAMP CHECK HOLDER	1
26	95-05-026	压脚固定架板簧	WORK CLAMP CHECK SPRING	2
27	95-05-027	压脚固定架铆销	WORK CLAMP CHECK SPRING SET PIN	2
28	95-05-028	铰链轴螺钉	HINGE SCREW D=7.94 H=1.5	1
29	95-05-029	螺钉 SM3/32 × 56 × 1.9(4.5 × 1.5)	SCREW 3/32-56 L=1.9	2
30	95-05-030	3/4英寸弹性压脚	WORK CLAMP CHECK	1
31	95-05-031	3/4英寸齿纹压脚(针织品薄料用)	WORK CLAMP KNIT GOOD	1
32	95-05-032	送料托板(针织品薄料用)	WORK CLAMP CARRIER	1
33	95-05-033	送料托板	WORK CLAMP CARRIER	1
34	95-05-034	送料盖板	BRACKET COVER	1
35	95-05-035	托板紧固螺钉	SCREW	1
36	95-05-036	送料托架导板	WORK CLAMP ARM BRACKET ASM.	1
37	95-05-037	螺钉 SM15/64 × 28 × 14(10 × 4)	SCREW 15/64-28 L=14	2
38	95-05-038	托架连杆	WORK CLAMP CARRIER BRACKET PIT	1
39	95-05-039	铰链轴螺钉	HINGE SCREW D=8.73 H=6.0	1
40	95-05-040	送料滑杆	WORK CLAMP ARM SLIDE ROD	1
41	95-05-041	送料托架导板	WORK CLAMP CARRIER BRACKET GUIDE	1
42	95-05-042	螺钉 SM11/64 × 40 × 9.5(8 × 3)	SCREW 11/64-40 L=9.5	2
43	95-05-043	压脚架	WORK CLAMP ARM	1
44	95-05-044	连接轴	CONNECTING PIN	1
45	95-05-045	螺钉 SM9/64 × 40 × 8.5(5 × 2.5)	SCREW 9/64-40 L=8.5	1
46	95-05-046	支承架	BEARING ARM	1
47	95-05-047	螺钉 SM15/64 × 28 × 7	SCREW 15/64-28 L=7	1
48	95-05-048	锥端螺钉	SET-SCREW	1
49	95-05-049	钮孔长度调节螺钉	LENGTH REGULATING HINGE STUD	1
50	95-05-050	钮孔长度调节曲柄指针	LENGTH REGULATING SHAFT GUIDE	1
51	95-05-051	螺母 SM15/64 × 28(9 × 3)	NUT 15/64-28	1
52	95-05-052	钮孔长度调节曲柄组件	LENGTH REGULATING SCALE ASM.	1
53	95-05-053	曲柄连杆	LENGTH REGULATING SHAFT CRANK	1
54	95-05-054	螺栓 SM15/64 × 28 × 15.5(9 × 4.5)	SCREW 15/64-28 L=15.5	1
55	95-05-055	转子	ROLLER	1
56	95-05-056	转子轴	BELL CRANK ROLLER STUD	1
57	95-05-057	螺母 SM15/64 × 28(9 × 3)	NUT 15/64-28	1
58	95-05-058	压脚固定架弹簧	WORK CLAMP CHECK HOLDER SPRING	1

6. 针杆部分

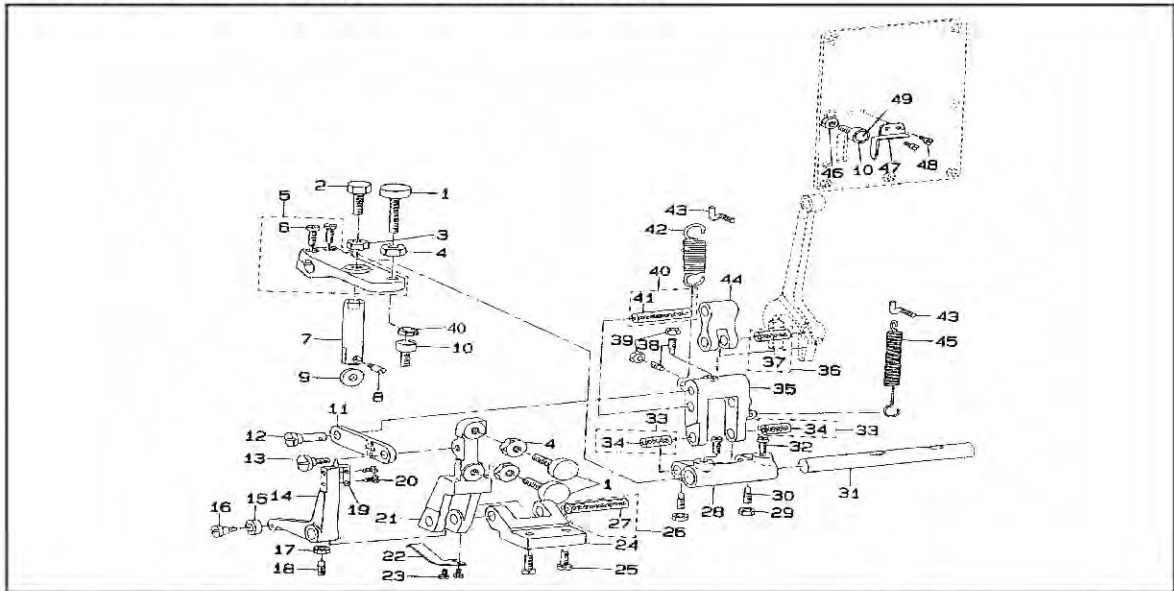
NEEDLE BAR FRAME COMPONENTS



序号 REF NO	图号 PART NO	零件名称	DESCRIPTION	数量 Qty
1	95-06-001	针杆摆架滑块	SQUARE BLOCK	1
2	95-06-002	滑块销螺钉	STUD	1
3	95-06-003	螺母 SM15/64 × 28(9 × 3)	NUT 15/64-28	1
4	95-06-004	摆轴前套	BUSHING	1
5	95-06-005	螺钉 SM15/64 × 28 × 10.5(4 × 2)	SCREW 15/64-28 L=10.5	2
6	95-06-006	O型密封圈 20 × 24	RUBBER RING	1
7	95-06-007	毡垫	OIL WICK	1
8	95-06-008	针杆摆轴	FRAME ROCK SHAFT CRANK ASM.,F	1
9	95-06-009	摆轴后套	BUSHING, REAR	1
10	95-06-010	毡垫	OIL FELT	1
11	95-06-011	摆杆后曲柄组件	FRAME ROCK SHAFT CRANK ASM.,R	1
12	95-06-012	螺钉 SM15/64 × 28 × 12(10 × 3.5)	SCREW 15/64-28 L=12	1
13	95-06-013	油绳 Φ2 × 150	OIL WICK	1
14	95-06-014	铰链销螺钉	HINGE SCREW	1
15	95-06-015	螺母 SM1/4 × 245(11 × 5)	NUT 1/4-24	1
16	95-06-016	针杆摇杆	NEEDLE BAR PITMAN	1
17	95-06-017	摆杆连接导板	ROCK SHAFT CONNECTION GUIDE	1
18	95-06-018	螺钉 SM11/64 × 40 × 16(8 × 3)	SCREW 11/64-40 L=16.0	2
19	95-06-019	定位螺钉	SCREW	1
20	95-06-020	螺母 SM11/64 × 40(6 × 3)	NUT 11/64-40	1
21	95-06-021	针摆驱动齿轮	NEEDLE DRIVING GEAR ASM.	1
22	95-06-022	挡圈组件	THRUST COLLAR ASM.	1
23	95-06-023	定位螺钉	SET-SCREW	1
24	95-06-024	螺钉 SM15/64 × 28 × 7	SCREW 15/64-28 L=7	1
25	95-06-025	起摆凸轮轴组件	KNIFE DRIVING SHAFT ASM.	1
26	95-06-026	油绳 Φ2 × 180	OIL WICK	1
27	95-06-027	定位螺钉	SET-SCREW	1
28	95-06-028	挡圈组件	THRUST COLLAR ASM.	1
29	95-06-029	螺钉 SM15/64 × 28 × 7	SCREW 15/64-28 L=7	2
30	95-06-030	针杆摆架	NEEDLE BAR FRAME	1
31	95-06-031	螺钉 SM15/64 × 28 × 11(7.5 × 3)	SCREW 15/64-28 L=11	1
32	95-06-032	铰链销轴	HINGE STUD	1
33	95-06-033	油绳 Φ2 × 240	OIL WICK	1
34	95-06-034	定位架	POSITION BARACKET	1
35	95-06-035	螺钉 SM11/64 × 40 × 8(8 × 2)	SCREW 11/64-40 L=8	2
36	95-06-036	毡垫	OIL FELT	2
37	95-06-037	油绳上固定板	ROCK SHAFT CONNECTION GUIDE	1
38	95-06-038	螺钉 SM9/64 × 40 × 4.5(6 × 2)	SCREW 9/64-40 L=4.5	2
39	95-06-039	针杆连接轴	NEEDLE BAR CONNECTION	1
40	95-06-040	螺钉 SM9/64 × 40 × 8.5(6 × 2)	SCREW 9/64-40 L=8.5	1
41	95-06-041	油绳下固定板	OIL FELT RETAINER, LOWER	1
42	95-06-042	针杆	NEEDLE BAR	1
43	95-06-043	针杆导线架	NEEDLE BAR BOBBIN THREAD GUIDE	1
44	95-06-044	螺钉 SM1/8 × 44 × 4.5(5 × 2)	SCREW 1/8-44 L=4.5	1
45	95-06-045	机针 DP × 5J11	NEEDLE DP × 5#11J	1
46	95-06-046	针杆导线架(化纤线用)	NEEDLE BAR THREAD GUIDE	1
47	95-06-047	机针 134SES 75	NEEDLE 134SES 75	1
48	95-06-048	起摆台板	NEEDLE DRIVING CAM	1
49	95-06-049	摆杆前曲柄	FRAME ROCK SHAFT FRONT CRANK	1

7. 针脚套结宽度调整部分

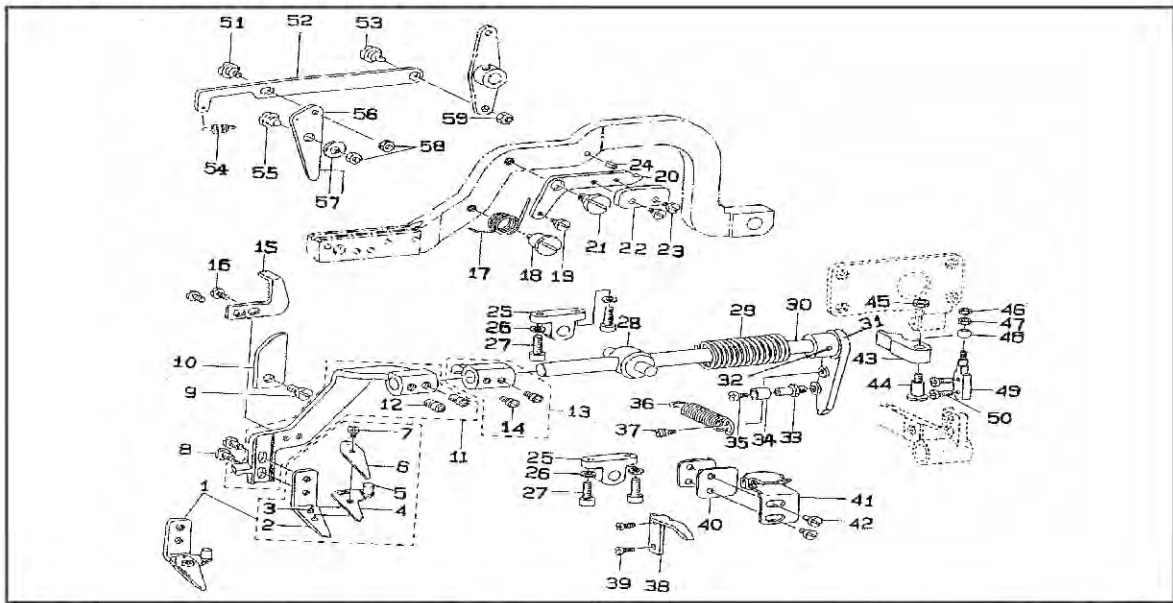
OVEREDGING WIDTH ADJUSTING COMPONENTS



序号 REF NO	图号 PART NO	零件名称	DESCRIPTION	数量 Qty
1	95-07-001	线迹宽度调节螺钉	STITCH WIDTH REGULATING SCREW	3
2	95-07-002	可调螺钉	SCREW	1
3	95-07-003	螺母 SM5/16 × 18(11 × 5)	NUT 5/16-18	1
4	95-07-004	螺母 SM5/16 × 18(13.5 × 6)	NUT 5/16-18	3
5	95-07-005	基线定位杆组件	REPOSITIONING LEVER ASM.	1
6	95-07-006	螺钉 SM3/16 × 28 × 12(8 × 3)	SCREW 3/16-28 L=12	2
7	95-07-007	顶杆	TRIPPING ROD ASM.	1
8	95-07-008	顶杆滚轮轴	PIN	1
9	95-07-009	顶杆滚轮	ROLLER	1
10	95-07-010	调节杆止轮销座	REGULATING LEVER STOPPER ASM.	2
11	95-07-011	调节杆连杆	REGULATING LEVER CONNECTING	1
12	95-07-012	调节杆铰链销	REGULATING HINGE PIN	1
13	95-07-013	铰链轴螺钉	HINGE SCREW	1
14	95-07-014	针距调节柄	BELL CRANK	1
15	95-07-015	滚轮	ROLLER	1
16	95-07-016	滚轮轴螺钉	HINGE SCREW	1
17	95-07-017	螺母 SM11/64 × 40(6 × 3)	NUT 11/64-40	1
18	95-07-018	定位螺钉	SCREW	1
19	95-07-019	套结宽度指针	BARRED WIDTH INDICATOR	1
20	95-07-020	螺钉 SM1/8 × 44 × 4.5(5 × 2)	SCREW 1/8-44 L=4.5	2
21	95-07-021	针距调节架	REGULATING LEVER	1
22	95-07-022	板簧	SPRING	1
23	95-07-023	螺钉 SM1/8 × 44 × 4.5(5 × 2)	SCREW 1/8-44 L=4.5	2
24	95-07-024	调节架托架	REGULATING LEVER BRACKET	1
25	95-07-025	螺钉 SM15/64 × 28 × 12(10 × 3.5)	SCREW 15/64-28 L=12	2
26	95-07-026	调节架托架轴组件	REGULATING LEVER SHAFT ASM.	1
27	95-07-027	油线 Φ3 × 32	OIL WICK	1
28	95-07-028	支承托架	BEARING BRACKET	1
29	95-07-029	螺母 SM11/64 × 40(6 × 3)	NUT 11/64-40	2
30	95-07-030	定位螺钉	SCREW	2
31	95-07-031	摆针轴	NEEDLE THROW REPOSITIONING SHAFT	1
32	95-07-032	螺钉 SM15/64 × 28 × 9(8 × 4)	SCREW 15/64-28 L=9	2
33	95-07-033	托架轴组件	BEARING BRACKET ASM.	2
34	95-07-034	油线 Φ3 × 14	OIL WICK	2
35	95-07-035	针距定位连杆	REPOSITIONING LEVER LINK	1
36	95-07-036	叉形连杆销组件	CONNECTING FORKED LINK PIN ASM	1
37	95-07-037	油线 Φ3 × 16	OIL WICK	1
38	95-07-038	定位螺钉	SCREW	2
39	95-07-039	螺母 SM11/64 × 40 × (6 × 3)	NUT 11/64-40	2
40	95-07-040	针距定位连杆轴组件	CONNECTING STUD ASM.	1
41	95-07-041	油线 Φ3 × 30	OIL WICK	1
42	95-07-042	拉簧	SPRING	1
43	95-07-043	吊钩螺钉	SUSPENSION SCREW	2
44	95-07-044	叉形连杆	CONNECTING FORKED LINK	1
45	95-07-045	拉簧	SPRING	1
46	95-07-046	螺母 SM15/64 × 28(9 × 3)	MTU 15/64-28	1
47	95-07-047	缝纫宽度指针	SEAM WIDTH INDICATOR	1
48	95-07-048	螺钉 SM1/8 × 44 × 4.5(5 × 2)	SCREW 1/8-44 L=4.5	2
49	95-07-049	定位垫	NYLON CUSHION	2

8. 面剪部分

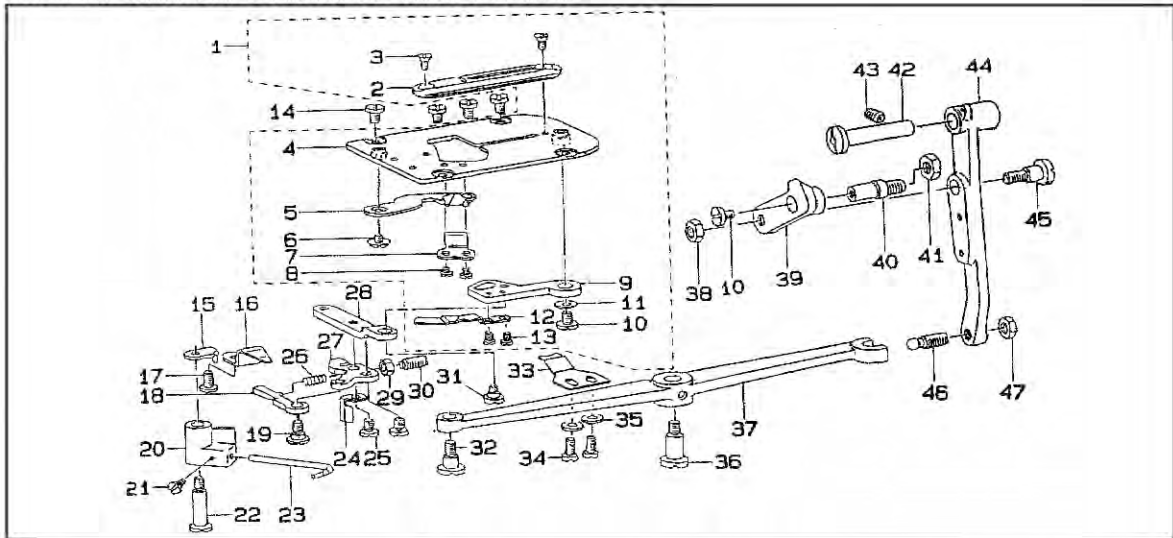
NEEDLE THREAD TRIMMER COMPONENTS



序号 REF NO	图号 PART NO	零件名称	DESCRIPTION	数量 Qty
1	95-08-001	面剪刀组件	NEEDLE THREAD TRIMMER ASM.	1
2	95-08-002	面剪刀下刃	NEEDLE THREAD TRIMMER. LOWER	1
3	95-08-003	面剪刀定位销	POSITION PIN	1
4	95-08-004	面剪刀上刃	NEEDLE THREAD TRIMMER UPPER	1
5	95-08-005	面剪刀接销	PIN	1
6	95-08-006	面剪刀压簧	NEEDLE THREAD PRESSER UPPER	1
7	95-08-007	面剪刀轴螺钉	HINGE SCREW	1
8	95-08-008	螺钉 SM11/64 × 40 × 5(7.8 × 2)	SCREW 11/64-40 L=5	2
9	95-08-009	螺钉 SM15/64 × 28 × 7(9 × 2.2)	SCREW 15/64-28 L=7	1
10	95-08-010	面剪刀轴导板	NEEDLE THREAD TRIMMER SHAFT GUIDE	1
11	95-08-011	面剪刀架组件	THREAD TRIMMER HOLDER ASM.	1
12	95-08-012	螺钉 SM1/4 × 40 × 7(7 × 4)	SCREW 1/4-40 L=7.0	2
13	95-08-013	甩剪曲柄组件	THREAD TRIMMER HOLDER ASM.	1
14	95-08-014	螺钉 SM1/4 × 40 × 7(7 × 4)	SCREW 1/4-40 L=7.0	2
15	95-08-015	互锁挡板	LIMITING PLATE	1
16	95-08-016	螺钉 SM11/64 × 40 × 7.8(7.8 × 2)	SCREW 11/64-40 L=7.8	2
17	95-08-017	甩剪块扭簧	DRIVING CAM SPRING	1
18	95-08-018	扭簧轴	DRIVING CAM SPRING AXLE	1
19	95-08-019	扭簧轴螺钉	HINGE SCREW	1
20	95-08-020	甩剪刀杆	DRIVING CAM INSTALLING PLATE	1
21	95-08-021	甩剪刀柄轴	HINGE SCREW	1
22	95-08-022	甩剪刀凸块	DRIVING CAM	1
23	95-08-023	螺钉 SM9/64 × 40 × 6.8(7 × 2)	SCREW 9/64-40 L=6.8	2
24	95-08-024	销 3 × 10	SPRING PIN 3.0 × 10	1
25	95-08-025	滑套托结	BRACKET	2
26	95-08-026	垫圈 5	SPRING WASHER	4
27	95-08-027	螺钉 SM3/16 × 32 × 12(7.3 × 4)	SCREW 3/16-32 L=12.0	4
28	95-08-028	面剪刀轴滑套	UNIVERSAL JOINT	1
29	95-08-029	面剪刀轴压簧	THREAD TRIMMER SPRING B	1
30	95-08-030	面剪刀轴	NEEDLE THREAD TRIMMER SHAFT	1
31	95-08-031	面剪刀后曲柄	REAR CRANK	1
32	95-08-032	销 A3 × 16	PIN	1
33	95-08-033	后曲柄滚子轴	STUD	1
34	95-08-034	曲柄滑轮	CAM ROLL	1
35	95-08-035	滑轮紧固螺钉	SCREW	1
36	95-08-036	后曲柄拉簧	THREAD TRIMMER SPRING A	1
37	95-08-037	拉簧螺钉	SUSPENSION SCREW	1
38	95-08-038	开闭器压板	LATCH PRESSER ARM	1
39	95-08-039	螺钉 SM9/64 × 40 × 6.8(7 × 2.2)	SCREW 9/64-40 L=6.8	2
40	95-08-040	开闭器调整垫	SPACER	2
41	95-08-041	开闭器	LOCKING BRACKET LATCH ASM.	1
42	95-08-042	螺钉 SM11/64 × 40 × 7.8(7.8 × 2)	SCREW 11/64-40 L=7.8	2
43	95-08-043	面剪刀凸轮顶块	THREAD TRIMMING SHAFT SEGMENT	1
44	95-08-044	顶块螺钉	HINGE SCREW	1
45	95-08-045	螺母 SM11/64 × 40(6 × 3)	NUT 11/64-40	1
46	95-08-046	螺母 SM1/8 × 44(5 × 3)	NUT 1/8-44	1
47	95-08-047	螺母 SM1/8 × 44(5 × 2)	NUT 1/8-44	1
48	95-08-048	推剪球滚子	ROLLER	1
49	95-08-049	推剪球支承	STUD	1
50	95-08-050	螺钉 SM11/64 × 40 × 7.8(7.8 × 2)	SCREW 11/64-40 L=7.8	2
51	95-08-051	连杆螺钉	HINGE SCREW	1
52	95-08-052	互锁连杆	BLOCKING LINK	1
53	95-08-053	螺钉轴	HINGE SCREW	1
54	95-08-054	摇杆拉簧	BLOCKING ARM SPRING	1
55	95-08-055	摇杆螺钉	HINGE SCREW	1
56	95-08-056	摇杆轴	BLOCKING ARM	1
57	95-08-057	互锁摇杆	BLOCKING ARM BRACKET	1
58	95-08-058	螺母 SM11/64 × 40(6 × 3)	NUT 11/64-40	2
59	95-08-059	螺母 SM3/16 × 28(7 × 3)	NUT 3/16-28	1

9. 底剪部分

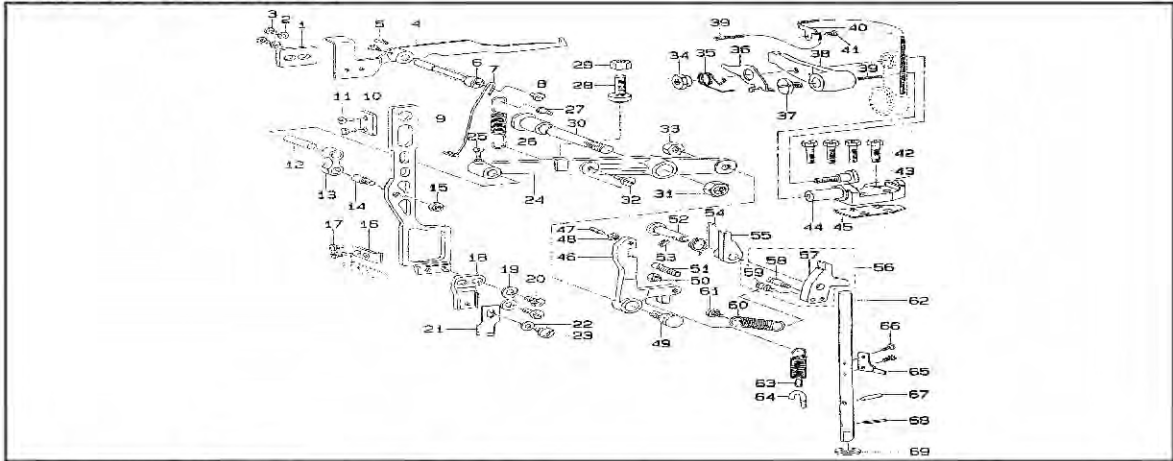
BOBBIN THREAD TRIMMER COMPONENTS



序号 REF NO	图号 PART NO	零件名称	DESCRIPTION	数量 Qty
1	95-09-001	针板组件	NEEDLE PLATE ASM.	1
2	95-09-002	针板	NEEDLE PLATE	1
3	95-09-003	螺钉 SM9/64 × 40 × 3.5(6.5)	SCREW 9/64-40 L=4.5	2
4	95-09-004	针板底座组件	THROAT PLATE BASE ASM.	1
5	95-09-005	底剪动刀组件	BOBBIN THREAD TRIMMER BLADE ASM.	1
6	95-09-006	底剪动刀紧固螺钉	SCREW	1
7	95-09-007	底剪定刀	COUNTER KNIFE	1
8	95-09-008	螺钉 SM1/8 × 44 × 3(5 × 1.5)	SCREW 1/8-44 L=3	2
9	95-09-009	底剪推刀架	BOBBIN THREAD TRIMMER LEVER	1
10	95-09-010	推刀架连杆紧固螺钉	SCREW	2
11	95-09-011	垫	WASHER	1
12	95-09-012	底剪拔线簧	BOBBIN THREAD PULLER	1
13	95-09-013	螺钉 SM9/64 × 40 × 4(5 × 1.5)	SCREW 9/64-40 L=4.0	2
14	95-09-014	螺钉 SM9/64 × 40 × 6(7.8 × 1.5)	SCREW 9/64-40 L=6	4
15	95-09-015	旋梭线压力挡板	HOOK THREAD PRESSER STOPPER	1
16	95-09-016	底剪动刀导板	PRESSER PLATE	1
17	95-09-017	螺钉 SM11/64 × 40 × 7.8(8 × 2)	SCREW 11/64-40 L=7.8	1
18	95-09-018	梭芯压杆顶板	BOBBIN PICKER PRESSER PLATE	1
19	95-09-019	螺轴	HINGE SCREW	1
20	95-09-020	梭芯压杆架	BOBBING PICKER BRACKET	1
21	95-09-021	螺钉 SM9/64 × 40 × 6(5 × 1.5)	SCREW 9/64-40 L=6	1
22	95-09-022	梭芯压杆架轴	BOBBIN PICKER BRACKET SHAFT	1
23	95-09-023	梭芯压杆	BOBBIN SCREW	1
24	95-09-024	安全限位板	BOBBIN PICKER BRACKET	1
25	95-09-025	螺钉 SM11/64 × 40 × 6(7.8 × 1.5)	SCREW 11/64-40 L=6	2
26	95-09-026	压板调节弹簧	PRESSER PLATE ADJUSTING SPRING	1
27	95-09-027	顶板座	PRESSER PLATE MOUNTING BASE	1
28	95-09-028	推架连杆	BOBBIN THREAD TRIMMER LINK	1
29	95-09-029	螺母 SM3/16 × 28(7 × 3)	NUT 3/16-28	1
30	95-09-030	螺钉 SM3/16 × 28 × 10.5(3.2 × 2)	PRESSER PLATE ADJUSTING SCREW	1
31	95-09-031	推架螺轴	HINGE SCREW	1
32	95-09-032	连杆螺轴	HINGE SCREW	1
33	95-09-033	梭芯线导线	BOBBIN THREAD GUIDE	1
34	95-09-034	螺钉 SM9/64 × 40 × 5(7.8 × 1.5)	SCREW 9/64-40 L=5.0	2
35	95-09-035	垫圈 4	WASHER	2
36	95-09-036	起动杆支点轴	HINGE SCREW	1
37	95-09-037	底剪驱动杆	BOBBIN THREAD TRIMMER DRIVING	1
38	95-09-038	螺母 SM15/64 × 28(9 × 3)	NUT 15/64-28	1
39	95-09-039	推剪凸轮连杆	CONNECTING LINK	1
40	95-09-040	止动螺钉	STOP SCREW	1
41	95-09-041	螺母 SM9/32 × 28(10 × 3)	NUT 6/32-28	1
42	95-09-042	铰链销	HING STUD	1
43	95-09-043	螺钉 SM15/64 × 28 × 7	SCREW 15/64-28 L=7	1
44	95-09-044	剪线驱动杆	BOBBIN THREAD TRIMMER DRIVING	1
45	95-09-045	摆架连杆连接轴	HINGE SCREW	1
46	95-09-046	球头螺钉	BALL SCREW	1
47	95-09-047	螺母 SM15/64 × 28(9 × 3)	NUT 15/64-28	1

10. 切刀杆部分

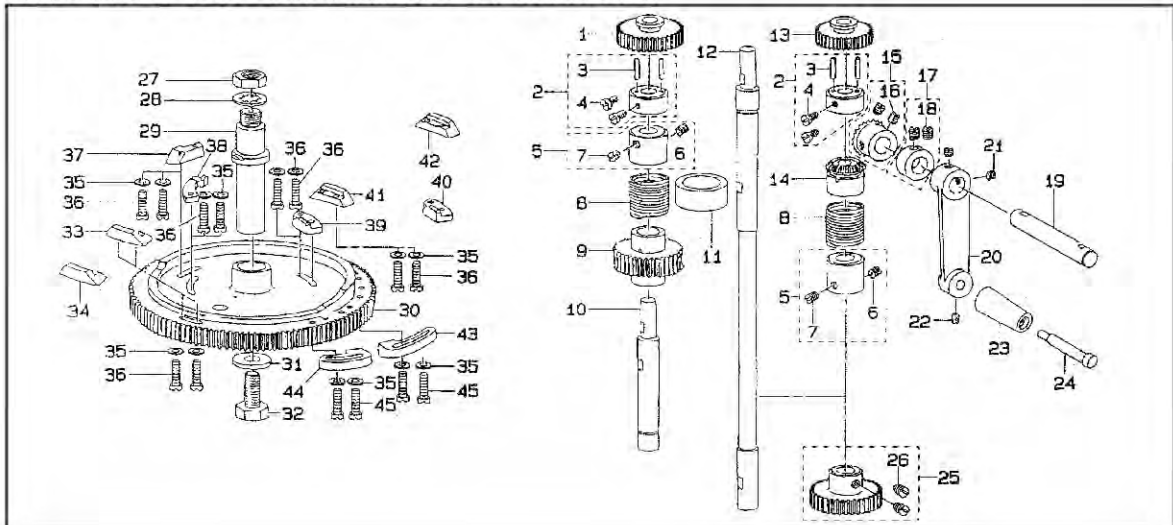
KNIFE BAR COMPINENTS



序号 REF NO	图号 PART NO	零件名称	DESCRIPTION	数量 Qty
1	95-10-001	停刀杠杆平衡块	KNIFE STOP LEVER BRACKET	1
2	95-10-002	扳手螺钉	SCREW	2
3	95-10-003	螺钉 SM11/64 × 40 × 7(7 × 2.5)	SCREW 11/64-40 L=7	2
4	95-10-004	停刀杠杆组件	KNIFE TOP LEVER	1
5	95-10-005	螺钉 SM11/64 × 40 × 5(5.5 × 1.5)	SCREW 11/64-40 L=5	2
6	95-10-006	停刀杠杆轴	KNIFE STOP LEVER HINGE STUD	1
7	95-10-007	过线杆	THREAD CHECK WIRE	1
8	95-10-008	螺母	NUT	1
9	95-10-009	刀杆	KNIFE BAR	1
10	95-10-010	刀杆导向杆	KNIFE ROD GUIDE PLATE	1
11	95-10-011	螺钉 SM11/64 × 40 × 7.8(8 × 2)	SCREW 11/64-40 L=7.8	2
12	95-10-012	铰链轴	HINGE STUD	1
13	95-10-013	刀杆连杆	KNIFE BAR CONNECTING LINK	1
14	95-10-014	铰链轴	HINGE SCREW	1
15	95-10-015	螺母 SM1/4 × 40(9 × 4)	NUT 1/4-40	1
16	95-10-016	刀杆定位杆	KNIFE BAR POSITION BARACET	1
17	95-10-017	螺钉 SM11/64 × 40 × 7(7 × 2)	SCREW 11/64-40 L=7	2
18	95-10-018	刀架	KNIFE HOLDER	1
19	95-10-019	扳手	HAND LIFTER	2
20	95-10-020	螺栓 SM1/4 × 40 × 12(9 × 4)	SCREW 1/4-40 L=12	2
21	95-10-021	刀片	KNIFE 1/2	1
22	95-10-022	垫圈5	WASHER	1
23	95-10-023	刀片螺钉	SCREW	1
24	95-10-024	刀杆驱动杠杆	KNIFE BAR DRIVING LEVER	1
25	95-10-025	紧固螺钉	SCREW	1
26	95-10-026	拉簧	SPRING	1
27	95-10-027	轴螺钉	HINGE SCREW	1
28	95-10-028	定位螺柱	KNIFE BAR DRIVING LEVER	1
29	95-10-029	螺母 SM5/16 × 18(11 × 5)	NUT 5/16-18	1
30	95-10-030	驱动刀杆轴	KNIFE BAR DRIVING LEVER SHAFT	1
31	95-10-031	螺母 SM3/8 × 28(14 × 5)	NUT 3/8-28	1
32	95-10-032	驱动杠杆挂簧螺钉	HINGE SCREW	1
33	95-10-033	螺母 SM5/16 × 24(14 × 5)	NUT 5/16-24	1
34	95-10-034	驱动板螺母	KNIFE BAR DRIVING CRANK NUT	1
35	95-10-035	拉簧	TENSION SPRING	1
36	95-10-036	缓冲板	LATCH	1
37	95-10-037	驱动杠杆螺钉	SCREW	1
38	95-10-038	刀杆驱动板	KNIFE BAR DRIVING CRANK	1
39	95-10-039	油线 Φ2.5 × 150	OIL WICK	1
40	95-10-040	油线夹	OIL WICK HOLDER	1
41	95-10-041	螺钉 SM9/64 × 40 × 6(6 × 2.2)	SCREW 9/64-40 L=6	1
42	95-10-042	螺栓 SM15/64 × 28 × 20.5(9 × 4)	SCREW 15/64-28 L=20.5	4
43	95-10-043	轴螺钉	HINGE SCREW	1
44	95-10-044	刀杆驱动板支座	KNIFE BAR DRIVING CRANK SHAFT	1
45	95-10-045	垫板	SPACER	1
46	95-10-046	刀杆驱动杠杆曲柄	KNIFE BAR DRIVING LEVER BELT	1
47	95-10-047	螺丝扳手	SCREW	1
48	95-10-048	螺母 SM11/64 × 40(6 × 3)	NUT 11/64-40	1
49	95-10-049	轴螺钉	HINGE SCREW	1
50	95-10-050	挂簧螺母	NUT	1
51	95-10-051	偏心螺销	PIN	1
52	95-10-052	铰链轴	HINGE STUD	1
53	95-10-053	螺钉 SM15/64 × 28 × 7	SCREW 15/64-28 L=7	1
54	95-10-054	驱动爪拉簧	TENSION SPRING	1
55	95-10-055	切刀驱动爪辅块	RATCHET PAWL(B)	1
56	95-10-056	切刀驱动爪主块组件	HOOK DIFFERENTIAL LICK A ASM.	1
57	95-10-057	切刀驱动爪主块	HOOK DIFFERENTIAL CLICK A	1
58	95-10-058	扭簧挂销	SPRING SUSPENSION	1
59	95-10-059	挂簧销	THREAD CUTTING LINK SPRIG RAC	1
60	95-10-060	拉簧	TENSION SPRING	1
61	95-10-061	螺母	HINGE SCREW	1
62	95-10-062	驱动顶杆	DRIVING ROD	1
63	95-10-063	拉簧	TENSION SPRING	1
64	95-10-064	拉勾螺丝	SUSPENSION SCREW	1
65	95-10-065	控制板	FINER	1
66	95-10-066	螺钉 SM9/64 × 40 × 6.8(7 × 2.5)	SCREW 9/64-40 L=6.8	2
67	95-10-067	销 A4 × 20	POSITIONING PIN(B)	1
68	95-10-068	销 3 × 20	SPRING PIN 3 × 20	1
69	95-10-069	止推垫圈	THRUST WASHER	1

11. 针数送料传动部分

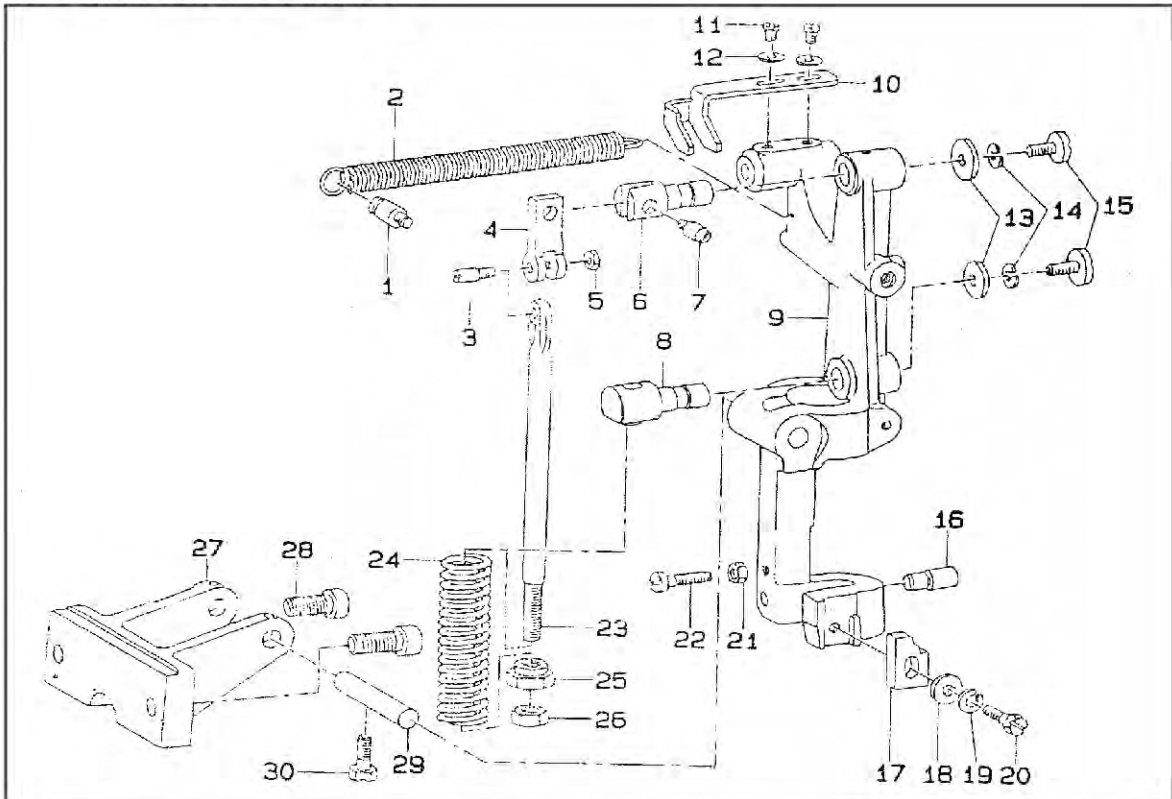
FEED CAM & TRIPPING SEGMENT COMPONENTS



序号 REF NO	图号 PART NO	零件名称	DESCRIPTION	数量 Qty
1	95-11-001	针数齿轮N(152)	SPJR GEAR(152)	1
2	95-11-002	轴套组件	SPUR GEAR BUSHING ASM	2
3	95-11-003	传动销	SPUR GEAR BUSHING PIN	4
4	95-11-004	螺钉 SM3/16 × 28 × 9(8 × 2.5)	SCREW 3/15-28 L=9	4
5	95-11-005	离合器组件	CLUTCH CLOOAR ASM.	2
6	95-11-006	螺钉 SM1/4 × 40 × 6	SCREW 1/4-40 L=6	2
7	95-11-007	螺钉 SM1/4 × 40 × 4.2	SCREW 1/4-40 L=4.2	2
8	95-11-008	离合弹簧	CLUTCH SPRING	1
9	95-11-009	蜗轮	FEED CAM DRIVING WORM WHEEL	1
10	95-11-010	蜗轮轴	FEED CAM DRIVING WORM WHEEL SH	1
11	95-11-011	油毡	OIL FELT	1
12	95-11-012	送料传动轴	FEED CAM DRIVING SHAFT	1
13	95-11-013	针数齿轮N(123)	SPUR GEAR (123)	1
14	95-11-014	手动送料伞齿轮A	HANDLE CRANK BEVEL GEAR, LEFT	1
15	95-11-015	手动送料伞齿轮B组件	HANDLE CRANK BEVEL GEAR ASM.	1
16	95-11-016	螺钉 SM1/4 × 40 × 6	SCREW 1/4-40 L=6	2
17	95-11-017	挡圈组件	THRUST COLLAR ASM	1
18	95-11-018	螺钉 SM1/4 × 40 × 4.5	SCREW 1/4-40 L=4.5	2
19	95-11-019	手动送料轴	HANDLE CRANK SHAFT	1
20	95-11-020	手动送料连杆	HANDLE CRANK	1
21	95-11-021	螺钉 SM15/64 × 28 × 4.7	SCREW 15/64-28 L=4.7	2
22	95-11-022	螺钉 SM3/16 × 32 × 6	SCREW 3/16-32 L=6	1
23	95-11-023	手柄	HANDLE SHAFT	1
24	95-11-024	手柄销	HANDLE SHAFT	1
25	95-11-025	送料传动齿轮组件	FEED CAM DRIVING GEAR ASM.	1
26	95-11-026	螺钉 SM1/4 × 40 × 6	SCREW 1/4-40 L=6	2
27	95-11-027	螺母	NUT	1
28	95-11-028	内齿锁紧垫圈	THRUST WASHER	1
29	95-11-029	凸轮轴	FEED CAM SHAFT	1
30	95-11-030	送料凸轮	FEED CAM	1
31	95-11-031	垫圈	WASHER	1
32	95-11-032	螺栓	SCREW	1
33	95-11-033	套结针数调节顶块	BAR TRIPPING SEGMENT NO.1	1
34	95-11-034	套结针数调节顶块(B)	BAR TRIPPING SEGMENT NO.2(B)	1
35	95-11-035	垫圈	WASHER	14
36	95-11-036	螺钉 SM11/64 × 40 × 16(7 × 2.5)	SCREW 11/64-40 L=16	10
37	95-11-037	落刀顶块	KNIFE TRIPPING SEGMENT	1
38	95-11-038	第一套结松线顶块	TENSION RELEASE TRIPPING SEGME.	1
39	95-11-039	第二套结松线顶块	TENSION RELEASE TRIPPING SEGME.	1
40	95-11-040	第二套结松线顶块(B)	TRIPPING SEGMENT NO.2, UNDER 80	1
41	95-11-041	套结针数调节顶块	BAR TRIPPING SEGMENT NO.1	1
42	95-11-042	套结针数调节顶块(B)	BAR TRIPPING SEGMENT NO.2(B)	1
43	95-11-043	低速凸轮	LOW-SPEED CAM	1
44	95-11-044	停车凸轮	STOPPING CAM	1
45	95-11-045	螺钉 SM11/64 × 40 × 14(7 × 3)	SCREW 11/64-40 L=14	4

12. 制动部分

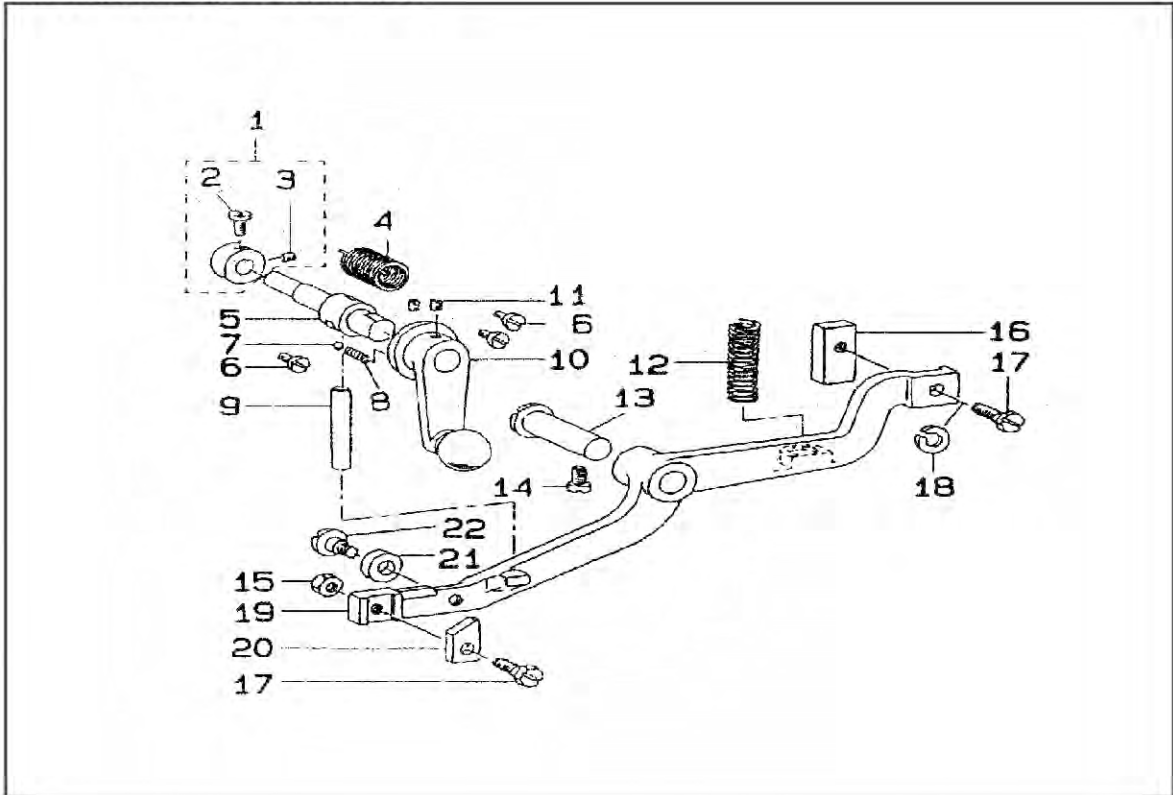
STOP-MOTION COMPONENTS



序号 REF NO	图号 PART NO	零件名称	DESCRIPTION	数量 Qty
1	95-12-001	拉簧螺钉	SUSPENSION SCREW	1
2	95-12-002	制动架拉簧	TENSION SPRING	1
3	95-12-003	缓冲杆轴位螺钉	TENSION ROD HINGE SCREW	1
4	95-12-004	制动轮定位块	STOP LINK	1
5	95-12-005	螺母 SM3/16 × 32(9 × 3)	NUT 3/16-32	1
6	95-12-006	定位块销	STOP LINK HINGE STUD	1
7	95-12-007	定位块轴位螺钉	STOP LINK CONNECTING SCREW	1
8	95-12-008	制动缓冲杆定位套筒	STOP LINK ROD HINGE STUD	1
9	95-12-009	制动架	STOP MOTION LEVER	1
10	95-12-010	皮带拨叉	BELT SHIFTER	1
11	95-12-011	螺钉 SM15/64 × 28 × 7(9 × 2.5)	SCREW 15/64-28 L=7	2
12	95-12-012	垫圈6	WASHER	2
13	95-12-013	垫圈6	WASHER	2
14	95-12-014	垫圈6	WASHER	2
15	95-12-015	定位销紧安螺钉	SCREW	2
16	95-12-016	起顶顶销	STOP PIN	1
17	95-12-017	制动变速顶块	LATCH	1
18	95-12-018	垫圈	WASHER	1
19	95-12-019	垫圈6	WASHER	1
20	95-12-020	螺钉 SM15/16 × 28 × 20.5(9 × 4.5)	SCREW 15/64-28 L=20.5	1
21	95-12-021	螺母 SM15/64 × 28(10 × 4)	NUT 15/64-28	1
22	95-12-022	螺钉 SM15/64 × 28 × 30(9 × 4)	SCREW 15/64-28 L=30	1
23	95-12-023	缓冲杆	STOP LINK ROD	1
24	95-12-024	制动缓冲弹簧	STOP LINK ROD PRESSURE SPRING	1
25	95-12-025	缓冲弹簧紧固螺母	NUT FOR STOP LINK ROD	1
26	95-12-026	螺母 SM3/8 × 18(14 × 6)	NUT 3/8-18	1
27	95-12-027	制动架座	STOP MOTION LEVER BRACKET	1
28	95-12-028	螺钉 SM3/8 × 18 × 22(15 × 8)	SCREW 3/8-18 L=22.0	2
29	95-12-029	起顶架座轴	PIN	1
30	95-12-030	螺栓 SM15/64 × 28 × 15.5(9 × 4.5)	SCREW 15/64-28 L=15.5	1

13. 速度控制部分

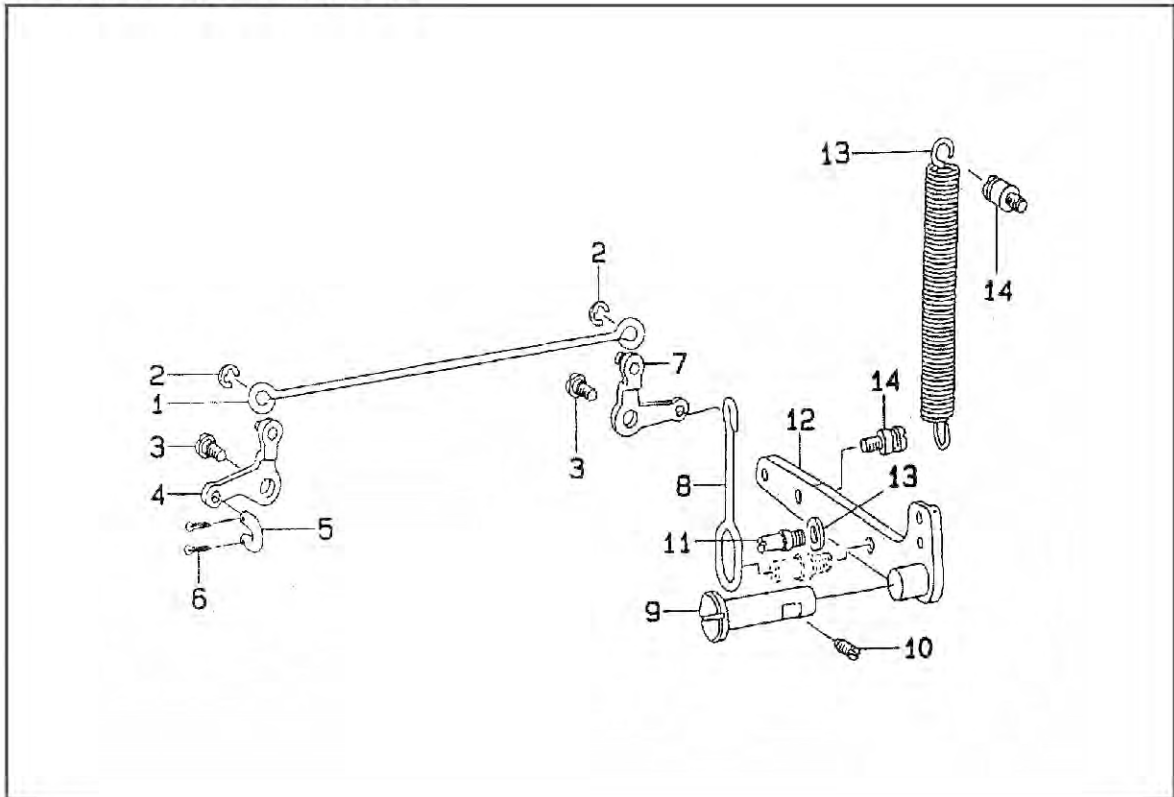
TRIPPING LEVER COMPONENTS



序号 REF NO	图号 PART NO	零件名称	DESCRIPTION	数量 Qty
1	95-13-001	松线杆曲柄紧圈组件	THRUST COLLAR ASM.	1
2	95-13-002	螺钉 SM11/64×40×7.7×	SCREW 11/64-40 L=7	1
3	95-13-003	螺钉 SM11/64×40×5	SCREW 11/64-40 L=5	1
4	95-13-004	手柄轴扭簧	CRANK SHAFT TENSION SPRING	1
5	95-13-005	制动手柄簧	HAND STOP CRANK SHAFT	1
6	95-13-006	螺钉 SM11/64×40×9.5(8×3)	SCREW 11/64-40 L=9.5	2
7	95-13-007	钢球队D=4	HAND STOP CRANK SHAFT BALL	1
8	95-13-008	曲柄轴压簧	CRANK SHAFT PRESSURE SPRING	1
9	95-13-009	手制动轴	HAND STOP ROD	1
10	95-13-010	制动手柄组件	HAND STOP CRANK ASM.	1
11	95-13-011	螺钉 SM15/64×28×4.7	SCREW 15/64-28 L=4.7	2
12	95-13-012	变速杠杆弹簧	TRIPPING LEVER TENSION SPRING	1
13	95-13-013	变速杠杆轴	TRIPPING LEVER HINGE PIN	1
14	95-13-014	螺钉 SM15/64×28×9(8×4)	SCREW 15/64-28 L=9	1
15	95-13-015	螺母 SM15/64×28(10×4)	NUT 15/64-28	1
16	95-13-016	速控栓	LATCH	1
17	95-13-017	螺钉 SM15/64×28×20.5(9×4)	SCREW 15/64-28 L=20.5	2
18	95-13-018	垫圈6	SPRING WASHER	1
19	95-13-019	变速杠杆	TRIPPING LEVER	1
20	95-13-020	脱离爪	TRIPPING DOG	1
21	95-13-021	滚轮	ROLLER	1
22	95-13-022	滚轮轴螺钉	HINGE SCREW	1

14. 抬压脚部分

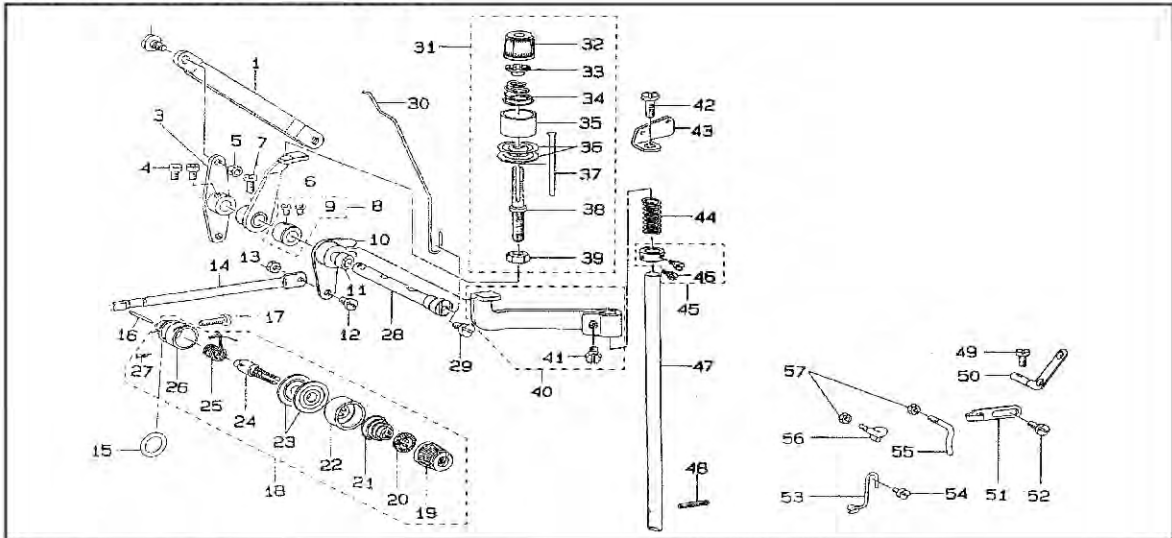
LIFTING LEVER COMPONENTS



序号 REF NO	图号 PART NO	零件名称	DESCRIPTION	数量 Qty
1	95-14-001	抬压脚长拉杆	PRESSER BAR LIFTING ROD, LONG	1
2	95-14-002	挡圈5	E-RING	2
3	95-14-003	轴螺钉	HINGE SCREW	2
4	95-14-004	前杠杆组件	LEVER ASM.FRONT	1
5	95-14-005	连杆	LINK	1
6	95-14-006	销2×10	SPLIT PIN	2
7	95-14-007	后杠杆组件	LEVER ASM.REAR	1
8	95-14-008	抬压脚拉杆	PRESSER BAR LIFTING ROD	1
9	95-14-009	变速杠杆轴	TRIPPING LEVER HINGE PIN	1
10	95-14-010	螺钉 SM15/64×28×10.5 4×2	SCREW 15/64-28 L=10.5	1
11	95-14-011	抬压脚杆止动螺钉	LIFTING LEVER STOPPER	1
12	95-14-012	抬压脚杆组件	PRESSER BAR LIFTING LEVER ASM.	1
13	95-14-013	抬压脚拉簧	PRESSER FOOT LIFTING SPRING	1
14	95-14-014	拉簧螺钉	SUSPENSION SCREW	2

15. 夹线部分

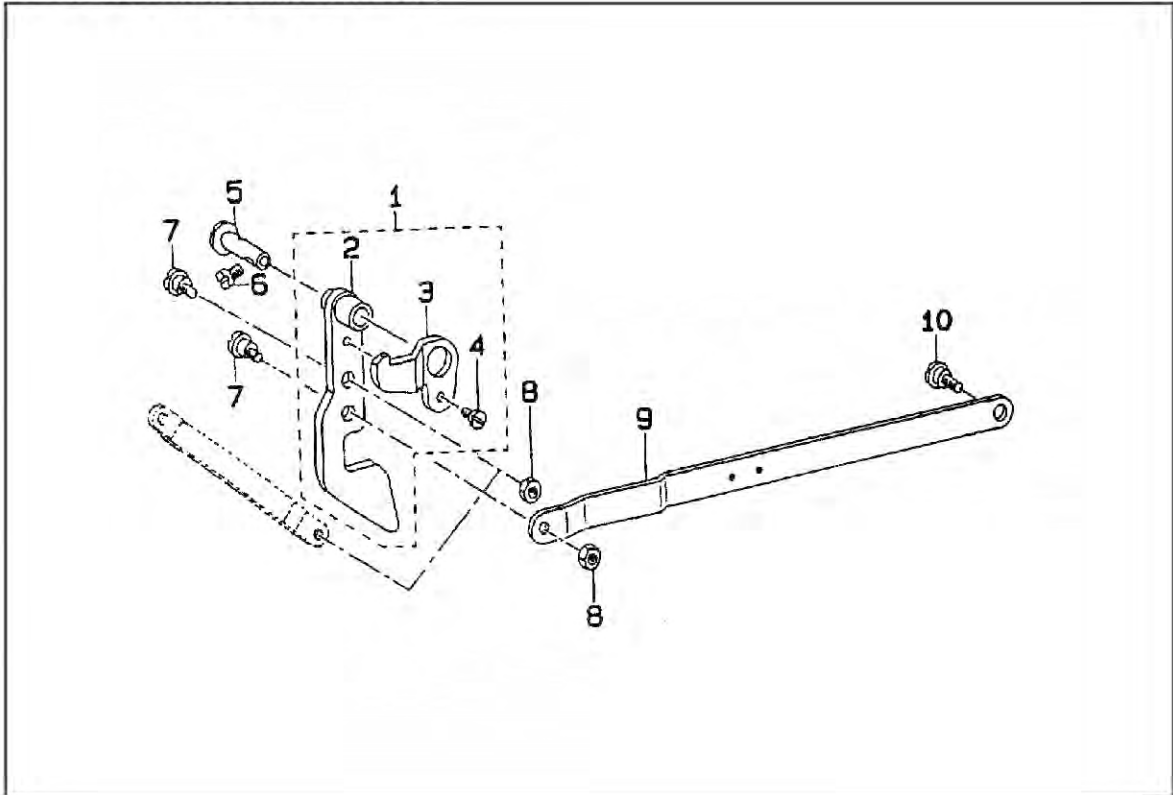
THREAD TENSION COMPONENTS



序号 REF NO	图号 PART NO	零件名称	DESCRIPTION	数量 Qty
1	95-15-001	松线连杆	TENSION RELEASE LINK	1
2	95-15-002	螺钉轴	HINGE SCREW	1
3	95-15-003	松线杆组件	TENSION RELEASE LEVER	1
4	95-15-004	螺钉 SM1/4 × 40 × 7(7 × 4)	SCREW 1/4-40 L=7.0	2
5	95-15-005	螺母 SM3/16 × 28(7 × 3)	NUT 3/16-28	1
6	95-15-006	松线杠杆组件	TENSION RELEASE LEVER	1
7	95-15-007	螺钉 SM3/16 × 32 × 9.5(8 × 2.5)	SCREW 3/16-32 L=9.5	1
8	95-15-008	松线杆曲柄紧固圈组件	THRUST COLLAR ASM	1
9	95-15-009	螺钉 SM11/64 × 40 × 4.5	SCREW 11/64-40 L=4.5	2
10	95-15-010	松线杆曲柄	TENSION RELEASE CRANK	1
11	95-15-011	松线杆曲柄隔套	TENSION RELEASE LEVER COLLAR	1
12	95-15-012	松线杆曲柄铰链螺钉	HINGE SCREW	1
13	95-15-013	螺母 SM9/64 × 40(6 × 3)	NUT 9/64-40	1
14	95-15-014	松线横杆	TENSION RELEASE ROD	1
15	95-15-015	O形圈 10 × 1.8	RUBBER RING	1
16	95-15-016	第二松线销	TENSION RELEASE PIN,NO.2	1
17	95-15-017	螺钉 SM11/64 × 40 × 16(7 × 2.5)	SCREW 11/64-40 L=16	1
18	95-15-018	第二夹线器组件	TENSION CONTROLLER NO.2 ASM.	1
19	95-15-019	夹线螺母	THREAD TENSION PICK-UP(RED)	1
20	95-15-020	夹线螺母垫圈	TENSION SPRING BUSHING	1
21	95-15-021	红色夹线板弹簧	TENSION SPRING,RED	1
22	95-15-022	弹簧盒	THREAD TENSION DISK PRESSER	1
23	95-15-023	夹线盒	THREAD TENSION DISK	2
24	95-15-024	第二夹线柱	TENSION POST NO.2	1
25	95-15-025	挑线弹簧	THREAD TAKE-UP SPRING	1
26	95-15-026	夹线座	TENSION POST SOCKET	1
27	95-15-027	螺钉 SM9/64 × 40 × 5.5	SCREW 9/64-40 L=5.5	1
28	95-15-028	松线杆轴	TENSION RELEASE LEVER SHAFT	1
29	95-15-029	螺钉 SM11/64 × 40 × 7.8(8 × 2)	SCREW 11/64-40 L=7.8	1
30	95-15-030	拉线钢丝	THREAD PULLING WIRE	1
31	95-15-031	第一夹线器组件	TENSION CONTROLLER NO.1 ASM.	1
32	95-15-032	夹线螺母	THREAD TENSION PICK-UP(RED)	1
33	95-15-033	夹线螺母垫圈	TENSION SPRING BUSHING	1
34	95-15-034	夹线板弹簧	TENSION SPRING NO.1	1
35	95-15-035	弹簧盒	THREAD TENSION DISK PRESSER	1
36	95-15-036	夹线盘	THREAD TENSION DISK	2
37	95-15-037	第一松线销	TENSION RELEASE PIN NO.1	1
38	95-15-038	第一夹线柱	TENSION POST NO.1	1
39	95-15-039	螺母 SM1/4 × 24(11 × 5)	NUT 1/4-24	1
40	95-15-040	松线臂组件	TENSION RELEASE ARM ASM.	1
41	95-15-041	螺栓 SM1/4 × 40 × 8.5(9 × 3.5)	SCREW 1/4-40 L=8.5	1
42	95-15-042	螺钉 SM15/64 × 28 × 12(10 × 3.5)	SCREW 15/64-28 L=12	1
43	95-15-043	过线板	THREAD GUIDE PLATE	1
44	95-15-044	松线挺杆弹簧	SPRING	1
45	95-15-045	松线挺杆挡圈组件	THRUST COLLAR ASM.	1
46	95-15-046	螺钉 SM9/64 × 40 × 4.5(6 × 2.5)	SCREW 9/64-40 L=4.5	2
47	95-15-047	松线挺杆	TENSION RELEASE ROD	1
48	95-15-048	销 3 × 18	SPRING PIN 3 × 18	1
49	95-15-049	螺钉 SM11/64 × 40 × 7(7 × 2.2)	SCREW 11/64-40 L=7	1
50	95-15-050	二眼过线钩	THREAD EYELET	1
51	95-15-051	挑线板	ARM THREAD GUIDE	1
52	95-15-052	螺钉 SM9/64 × 40 × 6.8(7 × 2.5)	SCREW 9/64-40 L=6.8	1
53	95-15-053	针杆过线钩	NEEDLE BAR THREAD GUIDE	1
54	95-15-054	螺钉 SM11/64 × 40 × 7.8(8 × 2)	SCREW 11/64-40 L=7.8	1
55	95-15-055	紧线钩	TENSION THREAD GUIDIE,NO.2	1
56	95-15-056	缓线过线钩	THREAD GUIDIE	1
57	95-15-057	螺母 SM9/64 × 40(6 × 3)	NUT 9/64-40	2

16. 锁紧部分

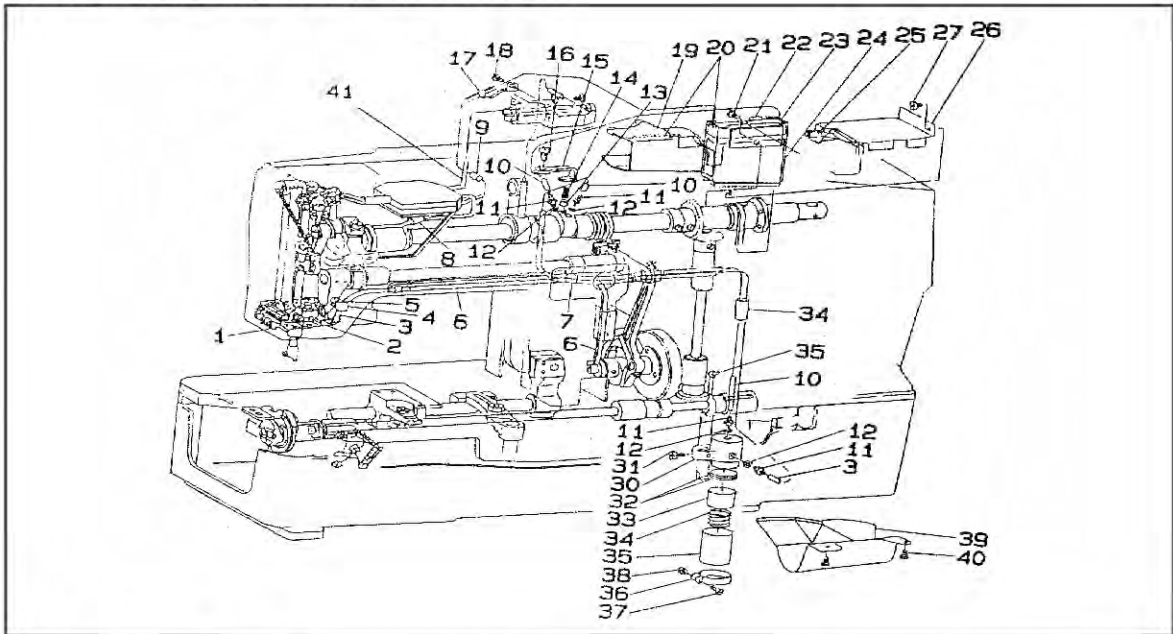
STARTING LINK COMPONENTS



序号 REF NO	图号 PART NO	零件名称	DESCRIPTION	数量 Qty
1	95-16-001	锁紧勾组件	STARTING LINK COMPL.	1
2	95-16-002	锁紧勾	STARTING LINK ASM.	1
3	95-16-003	安全座	SAFETY BASE	1
4	95-16-004	螺钉 SM11/64 × 40 × 7(7 × 2)	SCREW 11/64-40 L=7	1
5	95-16-005	铰链销	HINGE STUD	1
6	95-16-006	螺钉 SM15/64 × 28 × 9(8 × 4)	SCREW 15/64-28 L=9	1
7	95-16-007	铰链螺钉	HINGE SCREW	2
8	95-16-008	螺母 SM15/64 × 28(9 × 3)	NUT 15/64-28	2
9	95-16-009	制动拉杆	STARTING LINK DRIVING ROD	1
10	95-16-010	制动拉杆螺钉	HINGE SCREW	1

17. 润滑部分

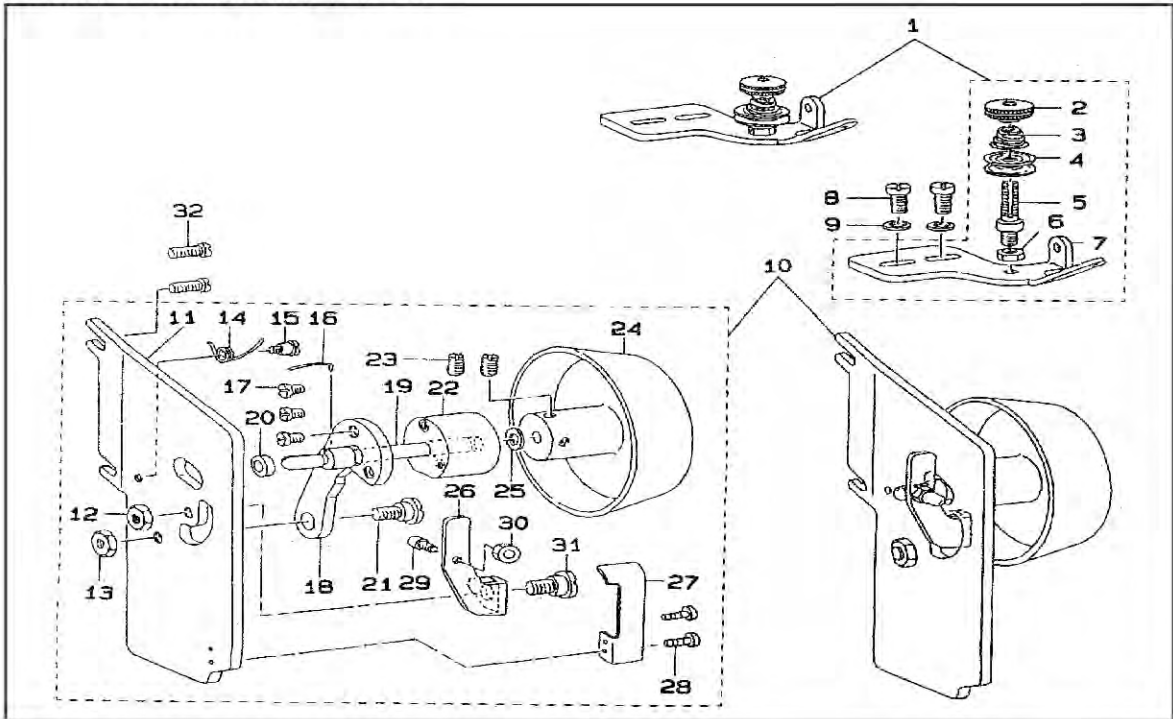
LUBRICATION MECHANISM COMPONENTS



序号 REF NO	图号 PART NO	零件名称	DESCRIPTION	数量 Qty
1	95-17-001	油毡托板	OIL FELT HOLDER	1
2	95-17-002	回油毛毡	OIL RETURN FELT (A)	1
3	95-17-003	加油管	OIL RETURN TUBE	1
4	95-17-004	回油管夹	CABLE HOLDER	1
5	95-17-005	螺钉 SM11/64 × 40 × 7(6.8 × 2.5)	SCREW 11/64-40 L=7	1
6	95-17-006	吸油毛毡	OIL WICK	1
7	95-17-007	油管固定夹	PIPE GUIDE (A)	1
8	95-17-008	塑料管 Φ3 × 1 × 210	VINYL PIPE	1
9	95-17-009	塑料管 Φ3 × 1 × 48	VINYL PIPE	1
10	95-17-010	塑料管 Φ3 × 1 × 47.5	VINYL PIPE	1
11	95-17-011	软管接头	CONNECTING SCREW	4
12	95-17-012	密封垫	GASKET	4
13	95-17-013	柱塞	PLUNGER	1
14	95-17-014	压簧	PLUNGER SPRING	1
15	95-17-015	推板	THRUST PLATE	1
16	95-17-016	螺钉 SM15/64 × 28 × 7(9 × 2.5)	SCREW 15/64-28 L=7	1
17	95-17-017	油线夹	OIL FELT GUIDE	1
18	95-17-018	螺钉 SM11/64 × 40 × 7(6.8 × 2.5)	SCREW 11/64-40 L=7	1
19	95-17-019	油毡	OIL FELT	1
20	95-17-020	油盒组件	OIL PIN ASM.	1
21	95-17-021	螺钉 SM11/64 × 40 × 5(7.8 × 2)	SCREW 11/64-40 L=5	1
22	95-17-022	润滑块	OIL UNWOVEN CLOTH	1
23	95-17-023	油盒毛毡(A)	OIL FELT	1
24	95-17-024	油盒毛毡(B)	OIL FELT	1
25	95-17-025	油毡	OIL WICK	1
26	95-17-026	挡油罩(A)	OIL SHIELD	1
27	95-17-027	螺钉 SM11/64 × 40 × 5(7.8 × 2)	SCREW 11/64-40 L=5	1
28	95-17-028	塑料管 Φ8 × 1 × 4	VINYL PIPE	3
29	95-17-029	油线 Φ3 × 64	OIL WICK	1
30	95-17-030	滤油体	OIL PUMP BASE	1
31	95-17-031	螺钉 SM11/64 × 40 × 8.5(7 × 2.5)	SCREW	1
32	95-17-032	过滤毛毡	FILTER	2
33	95-17-033	过滤毛毡	OIL FELT	1
34	95-17-034	压簧	SPRING	1
35	95-17-035	过滤网	FILTER SCREW	1
36	95-17-036	紧固圈	BUSHING HOLDER	1
37	95-17-037	螺钉 SM9/64 × 40 × 8.5(6 × 2.5)	SCREW 9/64-40 L=8.5	1
38	95-17-038	螺母 SM9/64 × 40(6 × 3)	NUT 9/64-40	1
39	95-17-039	挡油罩(B)	OIL SHIELD	1
40	95-17-040	螺钉 SM11/64 × 40 × 5(7.8 × 2)	SCREW 11/64-40 L=5	2
41	95-17-041	供油毛毡	OIL FELT	1

18. 绕线部分

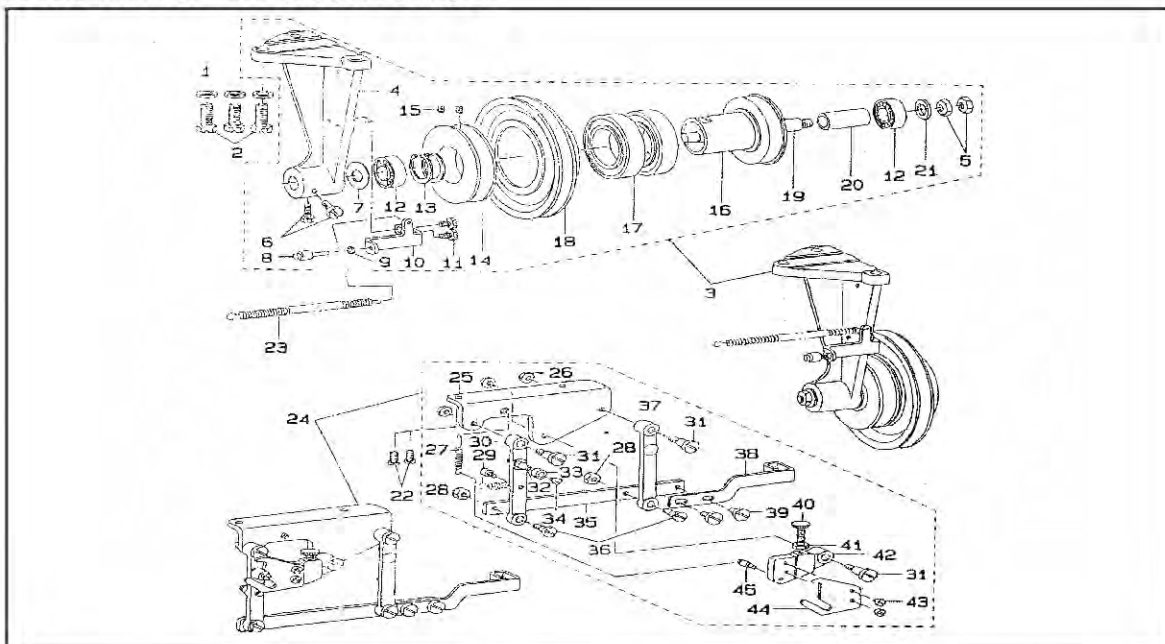
BOBBIN WINDER COMPONENTS



序号 REF NO	图号 PART NO	零件名称	DESCRIPTION	数量 Qty
1	95-18-001	绕线器夹线支板组件	BOBBIN WINDER TENSION ASM.	1
2	95-18-002	夹线螺母	BOBBIN WINDER TENSION NUT	1
3	95-18-003	绕线器夹线弹簧	BOBBIN WINDER TENSION SPRING	1
4	95-18-004	夹线盘	BOBBIN WINDER TENSION DISC	2
5	95-18-005	绕线器夹线螺柱	BOBBIN WINDER TENSION POST	1
6	95-18-006	螺母 SM11/64 x 40(6 x 3)	NUT 11/64-40	1
7	95-18-007	绕线器夹线支板	BOBBIN WINDER TENSION BRACKET	1
8	95-18-008	螺钉 SM11/64 x 40 x 7.8(8 x 2)	SCREW 11/64-40 L=7.8	2
9	95-18-009	垫圈	WASHER	2
10	95-18-010	绕线器组件	BOBBIN WINDER ASM	1
11	95-18-011	绕线器支座	BOBBIN WINDER BRACKET	1
12	95-18-012	螺母 SM11/64 x 40(6 x 3)	NUT 11/64-40	1
13	95-18-013	螺母 SM15/64 x 28(9 x 3)	NUT 15/64-28	1
14	95-18-014	满线跳板簧	BOBBIN WINDER SPRING	1
15	95-18-015	铰链轴螺钉	HINGE SCREW	1
16	95-18-016	梭芯固定簧	BOBBIN STOP SPRING	1
17	95-18-017	螺钉 SM9/64 x 40 x 6(5.5 x 1.5)	SCREW 9/64-40 L=6	3
18	95-18-018	绕线轴座	PULLEY SHAFT BASE	1
19	95-18-019	绕线轴	BOBBIN WINDER SHAFT	1
20	95-18-020	轴套	COLLAR	1
21	95-18-021	铰链轴螺钉	HINGE SCREW	1
22	95-18-022	绕线器轴套	BOBBIN WINDER SHAFT BUSHING	1
23	95-18-023	螺钉 SM3/16 x 28 x 7	SCREW 3/16-28 L=7	2
24	95-18-024	绕线器传动轮	BOBBIN WINDER DRIVING PULLEY	1
25	95-18-025	垫圈	WASHER	1
26	95-18-026	满线跳板	BOBBIN WINDER TRIP LATCH	1
27	95-18-027	弹簧挡板	BOBBIN GUIDE SPRING	1
28	95-18-028	螺钉 SM9/64 x 40 x 4.5(6 x 2.5)	SCREW 9/64-40 L=4.5	2
29	95-18-029	调节螺钉	ADJUSTING SCREW	1
30	95-18-030	螺母 SM1/8 x 44(6 x 3)	NUT 1/8-44	1
31	95-18-031	铰链轴螺钉	HINGE SCREW	1
32	95-18-032	螺钉 SM11/64 x 40 x 7.8(8 x 2)	SCREW 11/64-40 L=7.8	2

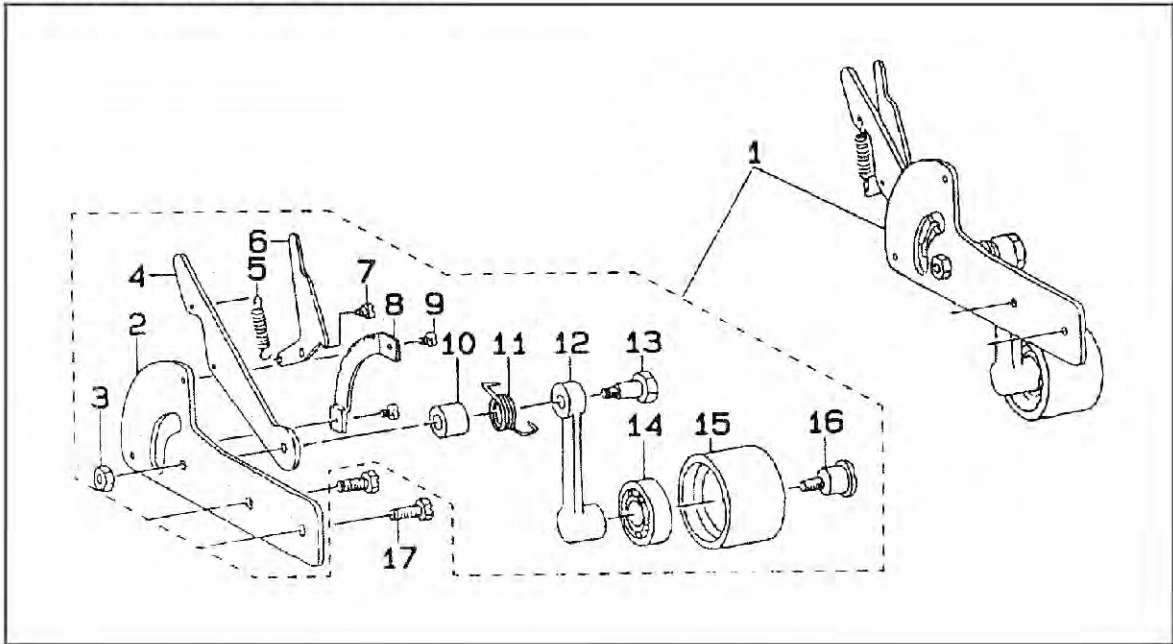
19. 速度转换机构部分

SPEED TRANSMITTER COMPONENTS



序号 REF NO	图号 PART NO	零件名称	DESCRIPTION	数量 Qty
1	95-19-001	垫圈 6	WASHER	3
2	95-19-002	螺栓 SM 15/64 × 28 × 20.5(10 × 4)	SCREW 15/64-28 L=20.5	3
3	95-19-003	速度转换器组件	SPEED TRANSMITTER ASM.	1
4	95-19-004	变速轮支架	SPEED TRANSMITTER BRACKET	1
5	95-19-005	螺母 SM1/8 × 28(14 × 5)	NUT 3/8-28	2
6	95-19-006	螺栓 SM1/4 × 40 × 12(9 × 4)	SCREW 1/4-40 L=12	2
7	95-19-007	挡圈	HIGH SPEED WASHER FOR BEARING	1
8	95-19-008	限位组件	STOP SCREW ASM.	1
9	95-19-009	螺母 SM15/64 × 28(9 × 3)	NUT 15/64-28	1
10	95-19-010	限位支架	SHIFTER STOPPER BRACKET	1
11	95-19-011	螺栓 SM15/64 × 28 × 14(10 × 4)	SCREW 15/64-28 L=14	2
12	95-19-012	轴承 D80202	BEARING	2
13	95-19-013	挡圈 5	RETAINING RING 35	2
14	95-19-014	加速轮	ACCELERATING PULLEY	1
15	95-19-015	螺钉 SM15/64 × 28 × 7	SCREW 15/64-28 L=7	2
16	95-19-016	高速轮	HIGH-SPEED PULLEY	1
17	95-19-017	轴承 D80109	BEARING	2
18	95-19-018	低速皮带轮	LOW-SPEED PULLEY	1
19	95-19-019	变速轴	SPEED TRANSMITTER SHAFT	1
20	95-19-020	轴套	SLEEVE	1
21	95-19-021	垫圈 10	WASHER	1
22	95-19-022	螺钉 SM15/64 × 28 × 12(10 × 3.5)	SCREW 15/64-28 L=12	2
23	95-19-023	转换机构长拉簧	SHIFTER TENSION SPRING	1
24	95-19-024	变速连杆座组件	SHIFTER BASE ASM.	1
25	95-19-025	变速连杆座	SHIFTER BASE	1
26	95-19-026	螺母 SM15/64 × 28(9 × 3)	NUT 15/64-28	3
27	95-19-027	变速凸轮弹簧	SHIFTER CAM SPRING	1
28	95-19-028	螺母 SM1/4 × 24(11 × 5)	NUT 1/4-24	2
29	95-19-029	拉簧挂销	SPRING RACK	1
30	95-19-030	作动杆	SHIFTER DRIVING ARM	3
31	95-19-031	铰链螺栓	SHIFTER DRIVING ARM SCREW	1
32	95-19-032	滚子轴	ROLLER STUD	1
33	95-19-033	曲柄滑轮	CAM. ROLL	1
34	95-19-034	滑轮紧固螺钉	SCREW	1
35	95-19-035	移动板	SHIFTER INSTALLING PLATE	1
36	95-19-036	螺钉轴	HINGE SCREW	2
37	95-19-037	移动杆	SHIFTER HOLDING ARM	1
38	95-19-038	高低速拨叉	SPEED TRANSMITTER SHIFTER	1
39	95-19-039	紧固螺钉	SCREW	2
40	95-19-040	调节螺钉	SHIFTER PIN	1
41	95-19-041	螺母 SM15/64 × 28(10 × 4)	NUT 15/64-28	1
42	95-19-042	变速凸轮座	SHIFTER CAM MOUNTING	1
43	95-19-043	螺钉 SM11/64 × 40 × 8.5(7 × 2)	SCREW	2
44	95-19-044	变速凸轮	SHIFTER CAM	1
45	95-19-045	凸轮拉簧螺钉	SUSPENSION PIN	1

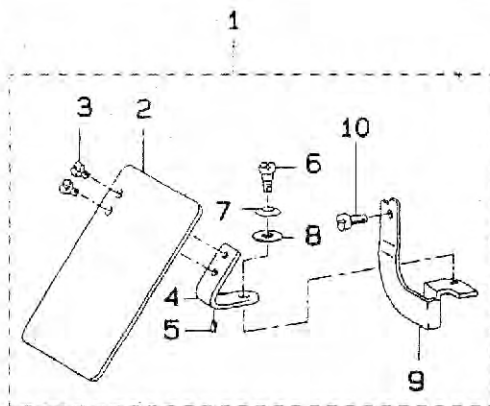
20. 涨紧轮部分
TENSION PULLEY COMPONENTS



序号 REF NO	图号 PART NO	零件名称	DESCRIPTION	数量 Qty
1	95-20-001	涨紧轮组件	TENSION PULLEY ASM.	1
2	95-20-002	涨紧轮托架	TENSION PULLEY BRACKET.	1
3	95-20-003	螺母 SM15/64 × 28(10 × 4)	NUT 15/64-28	1
4	95-20-004	涨紧杠杆	TENSION LEVER	1
5	95-20-005	定位爪拉簧	NIPPER BAR ACTUATING LEVER SPR.	1
6	95-20-006	定位爪	FIXING PAWL	1
7	95-20-007	定位爪螺轴	HINGE SCREW	1
8	95-20-008	棘爪	RATCHET	1
9	95-20-009	螺钉 SM11/64 × 40 × 7(7 × 2)	SCREW 11/64-40 L=7	1
10	95-20-010	控制柄轴套	LEVER COLLAR	1
11	95-20-011	涨紧轮弹簧	TENSION SPRING	1
12	95-20-012	涨紧轮连杆	TENSION PULLEY LINK	1
13	95-20-013	铰链螺钉	HINGE SCREW	1
14	95-20-014	轴承 D80202	BEARING	1
15	95-20-015	涨紧皮带轮	TENSION PULLEY	1
16	95-20-016	涨紧轮螺钉	HINGE SCREW	1
17	95-20-017	螺栓 SM15/64 × 28 × 14(10 × 4)	SCREW 15/64-28 L=14	2

21. 安全板部分

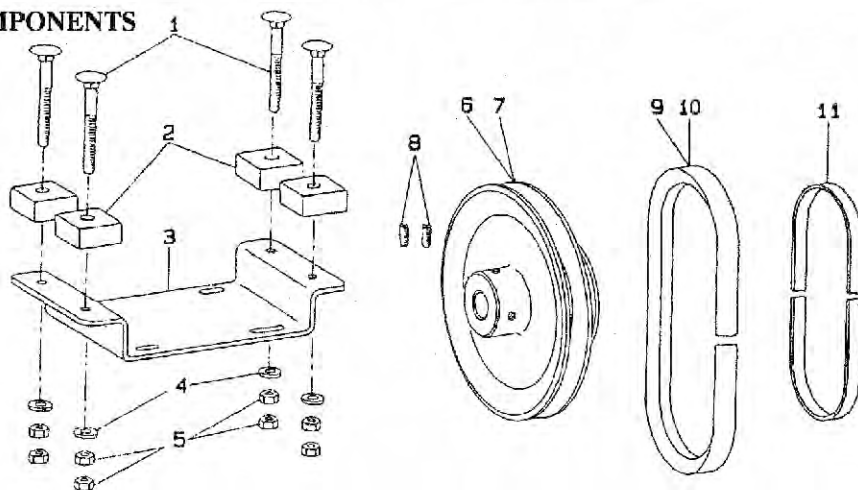
NEEDLE SAFETY PLATE COMPONENTS



序号 REF NO	图号 PART NO	零件名称	DESCRIPTION	数量 Qty
1	95-21-001	安全板组件	SAFETY PLATE ASM.	1
2	95-21-002	安全板	SAFETY PLATE	1
3	95-21-003	螺钉 SM11/64 × 40 × 7(7 × 2.3)	SCREW 11/64-40 L=7	2
4	95-21-004	连接角板	SAFETY PLATE INSTALLING PLATE	1
5	95-21-005	销 2 × 5.5	STOPPER PIN	1
6	95-21-006	螺钉轴	HINGE SCREW D=6 H=4	1
7	95-21-007	蝶形弹簧	DISK SPRING	1
8	95-21-008	垫圈	WASHER 6.5 × 13 × 0.8	1
9	95-21-009	安全板座	SAFETY PLATE ADJUSTING BASE	1
10	95-21-010	螺钉 SM11/64 × 40 × 10.5(7 × 2.8)	SCREW 11/64-40 L=10.5	1

22. 电机皮带轮部分

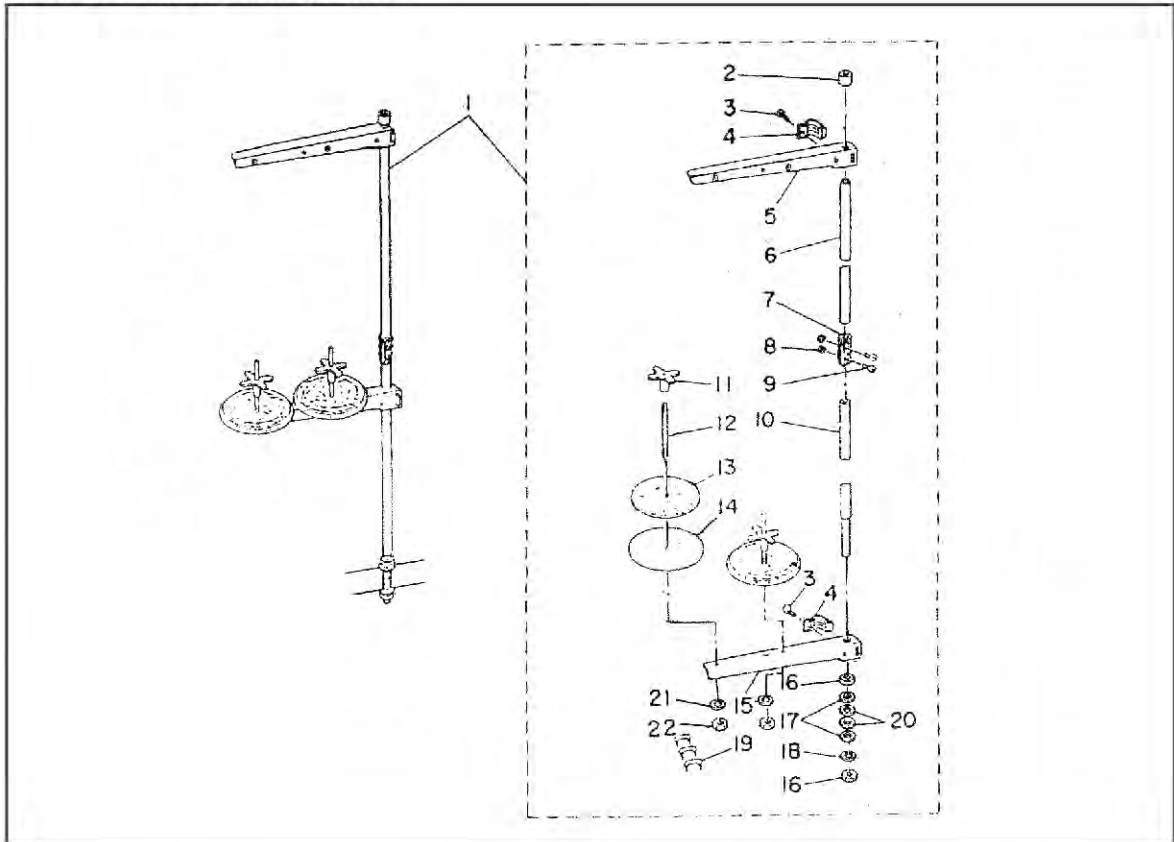
MOTOR PULLEY COMPONENTS



序号 REF NO	图号 PART NO	零件名称	DESCRIPTION	数量 Qty
1	95-22-001	螺栓 M8 × 70	MOUNTING BOLT	4
2	95-22-002	电机座垫	SPACER	4
3	95-22-003	电机座	MOTOR BASE PLATE	1
4	95-22-004	垫圈8	WASHER	4
5	95-22-005	螺母 M8	NUT	8
6	95-22-006	电机皮带轮 (50HZ)	MOTOR PULLEY (50HZ)	1
7	95-22-007	电机皮带轮 (60HZ)	MOTOR PULLEY (60HZ)	1
8	95-22-008	螺钉 M6 × 8	SCREW	2
9	95-22-009	V型三角带 42英寸, 44英寸 (50HZ)	V-BELT 42 INCH, 44 INCH (50HZ)	各1
10	95-22-010	V型三角带 42英寸 (60HZ)	V-BELT 42 INCH (60HZ)	2
11	95-22-011	平皮带 10 × 3 × 1100	BELT	1

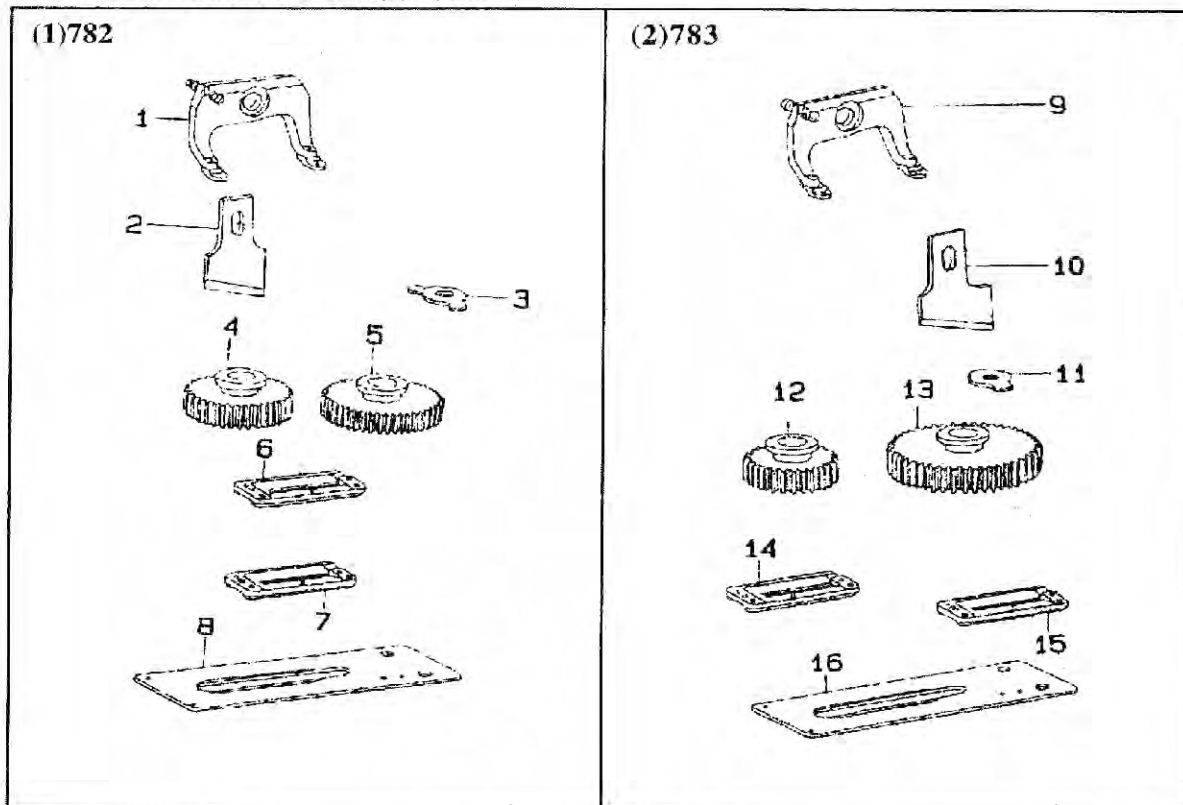
23. 线架部分

THREAD STAND COMPONENTS



序号 REF NO	图号 PART NO	零件名称	DESCRIPTION	数量 Qty
1	95-23-001	线架组件	THRUST STAND ASM.	1
2	95-23-002	橡胶盖	SPOOL REST ROD RUBBER CAP	1
3	95-23-003	螺钉 M6 × 16	NUT M6 L=16	2
4	95-23-004	线架固定板	THREAD GUIDE ARM JOINT	2
5	95-23-005	线架	THREAD GUIDE ASM.B	1
6	95-23-006	线架上管	SPOOL REST ROD UPPER	1
7	95-23-007	管接头	SPOOL REST ROD JOINT	1
8	95-23-008	螺母 M5	NUT M5	2
9	95-23-009	螺钉 M5 × 14	SCREW M5 L=14	2
10	95-23-010	线架下管	SPOOL REST ROD LOWER	1
11	95-23-011	线挡	SPOOL RETAINER	2
12	95-23-012	线轴	SPOOL PIN	2
13	95-23-013	线垫	SPOOL REST CUSHION	2
14	95-23-014	线座	SPOOL REST	2
15	95-23-015	线架	SPOOL REST ASM.B	1
16	95-23-016	螺母	NUT	2
17	95-23-017	垫圈 16	WASHER 16	2
18	95-23-018	垫圈 16	SPRING WASHER 16	1
19	95-23-019	骑马钉 (20 × 2)	STAPLE	3
20	95-23-020	橡胶垫	RUBBER WASHER	2
21	95-23-021	垫圈 5	SPRING WASHER	2
22	95-23-022	螺母 M5	NUT M5	2

24. 782、783、784专用部件
EXCLUSIVE PARTS FOR 782, 783, 784

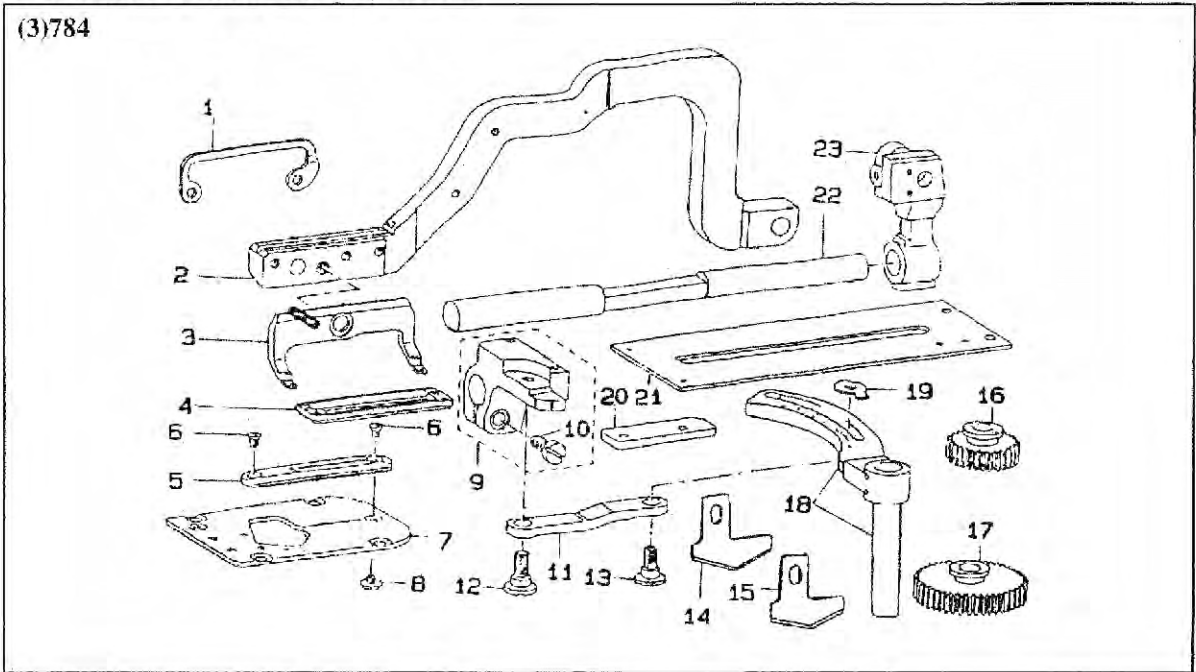


序号 REF NO	图号 PART NO	零件名称	DESCRIPTION	数量 Qty
1	96-01-001	1英寸压脚固定架组件	WORK CLAMP CHECK HOLDER ASM.	1
2	96-01-002	刀片	KNIFE 1"	1
3	96-01-003	钮孔长度调节曲柄指针	LENGTH REGULATING SHAFT GUIDE	1
4	96-01-004	针数齿轮J	SPUR GEAR (100)	1
5	96-01-005	针数齿轮J	SPUR GEAR (190)	1
6	96-01-006	1英寸压脚	WORK CLAMP CHECK	1
7	96-01-007	1英寸压脚(针织品薄料用)	WORK CLAMP CHECK	1
8	96-01-008	送料托板(针织品薄料用)	WORK CLAMP CARRIER	1
9	97-01-009	1-1/4英寸压脚固定架组件	WORK CLAMP CHECK HOLDER ASM.	1
10	97-01-010	刀片	KNIFE 1-1/4"	1
11	97-01-011	钮孔长度调节曲柄指针	LENGTH REGULATING SHAFT GUIDE	1
12	97-01-012	针数齿轮H	SPUR GEAR (88)	1
13	97-01-013	针数齿轮H	SPUR GEAR (212)	1
14	97-01-014	1-1/4英寸压脚	WORK CLAMP CHECK	1
15	97-01-015	1-1/4英寸压脚(针织品薄料用)	WORK CLAMP CHECK	1
16	97-01-016	送料托板(针织品薄料用)	WORK CLAMP CARRIER	1

注: (1)序号7、8、15、16件为专门订货零件,用于缝制薄料编织、针织面料。
(请配套使用压脚固定架与送料托板)
(2)除上述零件外其它零部件与ZJ781相同。

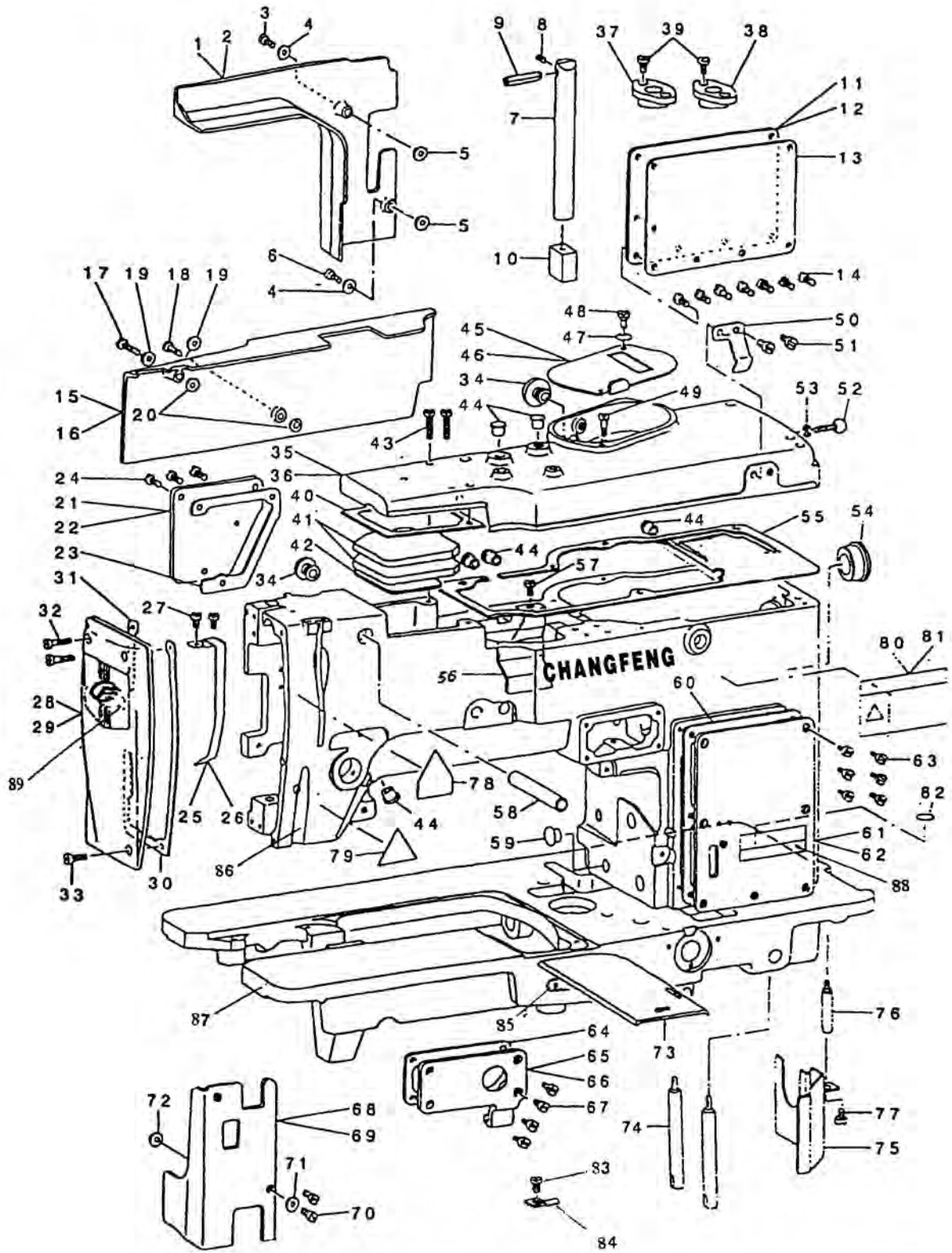
24. 782、783、784专用部件
EXCLUSIVE PARTS FOR 782, 783, 784

(3)784



序号 REF NO	图号 PART NO	零件名称	DESCRIPTION	数量 Qty
1	97-01-001	压脚架托架	WORK CLAMP BRACKET	1
2	97-01-002	压脚架	WORK CLAMP ARM	1
3	97-01-003	压脚固定架组合件	WORK CLAMP CHECK	1
		1-1/2英寸压脚固定架组件	WORK CLAMP CHECK HOLDER COMPLETE	(1)
		压脚固定架弹簧	1/2 INCHES WORK CLAMP CHECK HODER ASM.	(1)
4	97-01-004	1-1/2英寸弹性压脚	WORK CLAMP CHECK HOLDER SPRING	1
5	97-01-005	针板	WORK CLAMP CHECK	1
6	97-01-006	螺钉 SM9/64 × 40 × 4.5(6.5)	THROAT PLATE	2
7	97-01-007	针板底座组件	SCREW 9/64-40 L=4.5	1
8	97-01-008	连杆紧固螺钉	THROAT PLATE BASE ASM.	1
9	97-01-009	送料托架	SCREW 9/64-40 L=3.2	1
10	97-01-010	螺钉 SM15/64 × 28 × 14(10 × 4)	WORK CLAMP ARM BRACKET ASM.	(1)
11	97-01-011	托架连杆	SCREW 15/64-28 L=14	1
12	97-01-012	铰链轴螺钉	WORK CLAMP CARRIER PITMAN	1
13	97-01-013	钮孔长度调节螺钉	FEED ADJUSTING SHAFT	1
14	97-01-014	1-1/2英寸刀片	KNIFE 1-1/2"	1
15	97-01-015	1-3/8英寸刀片	KNIFE 1-3/8"	1
16	97-01-016	针数齿轮(74)	SPUR GEAR (74)	1
17	97-01-017	针数齿轮(252)	SPUR GEAR (252)	1
18	97-01-018	钮孔长度调节曲柄组件	LENGTH REGULATING ARM ASM.	1
19	97-01-019	钮孔长度调节曲柄指件	LENGTH REGULATING SHAFT GUIDE	1
20	97-01-020	送料推架导板	WORK CLAMP ARM BRACKET GUIDE	1
21	97-01-021	送料托板	WORK CLAMP CARRIER	1
22	97-01-022	送料滑杆	WORK CLAMP ARM SLIDE ROD	1
23	97-01-023	支承架	WORK CLAMP ARM BEARING BRACKET	1

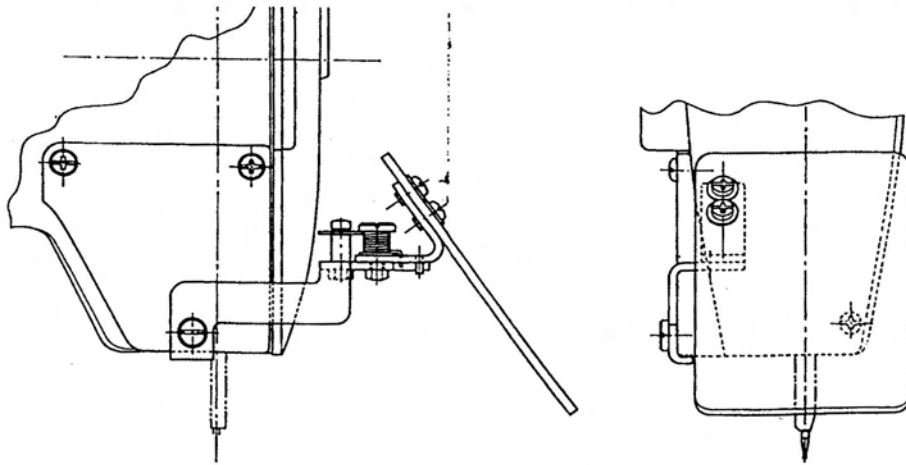
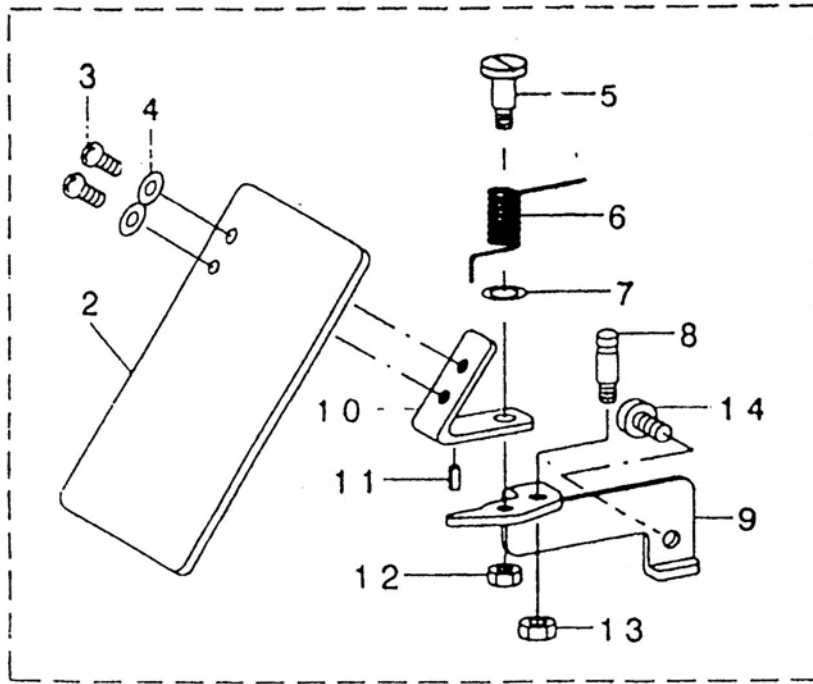
1. 机壳部件



1. 机壳部件

序号	零件名称	制造件号 (标准件规格)	数量	序号	零件名称	制造件号 (标准件规格)	数量
1	左侧下侧盖	CCF780-10106-OOA	1	50	手柄限位簧	CCF780-10139-OOO	1
3	螺钉 11/64-40,L=12	CCF780-10107-SP	1	51	螺钉 11/64-40,L=7	CCF780-10140-SP	2
4	垫圈 4.5×8×0.5	CCF780-10108-SD	2	52	球形锁紧螺钉	CCF780-10141-OOO	1
5	缓冲垫圈	CCF780-10109-OOO	2	53	螺母 3/16-28	CCF780-10142-SP	1
6	螺钉 11/64-40,L=12	CCF780-10107-SP	1	54	橡胶插塞	CCF780-10143-RO	1
7	机头支承臂	CCF780-10110-OOO	1	55	顶盖后衬垫	CCF780-10144-OOO	1
8	螺钉 11/64-40,L=5	CCF780-10111-SP	1	56	偏心凸轮挡油罩	CCF780-10145-OOO	1
9	弹性圆柱销 6×30	GB879-76	1	57	螺钉 11/64-40,L=7	CCF780-10140-SP	1
10	橡胶缓冲垫	CCF780-10112-OOO	1	58	停刀杆轴轴套	CCF780-10146-OOO	1
11	左侧后侧盖	CCF780-10113-OOO	1	59	橡胶插塞	CCF780-10147-RO	1
13	左侧后侧盖衬垫	CCF780-10114-OOO	1	60	右侧后侧盖衬垫	CCF780-10148-OOO	1
14	螺钉 11/64-40,L=9	CCF780-10115-SP	7	61	右侧后侧盖	CCF780-10149-OOO	1
15	左侧上侧盖	CCF780-10116-OOO	1	63	螺钉 11/64-40,L=9	CCF780-10115-SP	7
17	螺钉 11/64-40,L=22	CCF780-10117-SP	1	64	油窗盖衬垫	CCF780-10150-OOO	1
18	螺钉 11/64-40,L=18	CCF780-10118-SP	1	65	油窗盖	CCF780-10151-OAA	1
19	缓冲垫圈	CCF780-10109-OOO	2	67	螺钉 11/64-40,L=9	CCF780-10115-SP	4
20	缓冲垫圈	CCF780-10119-OOO	2	68	右侧下侧盖	CCF780-10152-OOO	1
21	左侧前侧盖	CCF780-10120-OOO	1	70	螺钉 11/64-40,L=14	CCF780-10127-SP	2
23	左侧前侧盖衬垫	CCF780-10121-OOO	1	71	垫圈 4.5×8×0.5	CCF780-10108-SD	2
24	螺钉 11/64-40,L=9	CCF780-10115-SP	3	72	缓冲垫圈	CCF780-10109-OOO	2
25	挑线杆护罩	CCF780-10122-OOO	1	73	推板	CCF780-10153-OOO	1
27	螺钉 9/64-40,L=5	CCF780-10123-SP	2	74	底板支承螺钉	CCF780-10155-OOA	2
28	面盖板	CCF780-10124-OAA	1	75	底板挡油罩	CCF780-10156-OAA-A	1
30	面盖板衬垫(大)	CCF780-10125-OOO	1	76	底板挡油罩螺钉	CCF780-10157-OOO	1
31	面盖板衬垫(小)	CCF780-10126-OOO	1	77	螺钉 11/64-40,L=5	CCF780-10158-SP	1
32	螺钉 11/64-40,L=14	CCF780-10127-SP	2	78	说明性短语	CCF780-10159-B1	1
33	螺钉 11/64-40,L=9	CCF780-10115-SP	1	79	注意标志	CCF780-10159-C1	1
34	橡胶插塞	CCF780-10128-RO	3	80	安全说明性短语	CCF780-10160-O1	1
35	顶盖	CCF780-10129-OOO-A	1	81	安全说明性短语	CCF780-10160-A1	1
37	顶盖套	CCF780-10130-OOO	1	82	标志	CCF780-10161	1
38	顶盖套	CCF780-10130-OOO	1	83	螺钉 11/64-40,L=7	CCF780-10140-SP	1
39	螺钉 3/16-28,L=6	CCF780-10131-TP	4	84	推板簧	CCF780-10154-OOO	1
40	顶盖前衬垫	CCF780-10132-OOO	1	85	编号牌	CCF780-10162	1
41	油毡	CCF780-10133-OOO	2	86	机头	CCF780-10101-OOO	1
42	油毡垫板	CCF780-10134-OOO	1	87	底板	CCF780-10102-OOO	1
43	螺钉 11/64-40,L=18	CCF780-10118-SP	6	88	型号牌	CCF780-10104-OOA	1
44	橡胶插塞	CCF780-10135-RO	6	89	商标头牌	CCF780-10163-OOO	1
45	齿轮箱盖	CCF780-10136-OOO	1				
47	弹簧垫 6	GB/T860-1986	1				
48	箱盖螺钉 D=3.65,H=2.6	CCF780-10137-SP	1				
49	螺钉 11/64-40,L=12.8	CCF780-10138-SP	1				

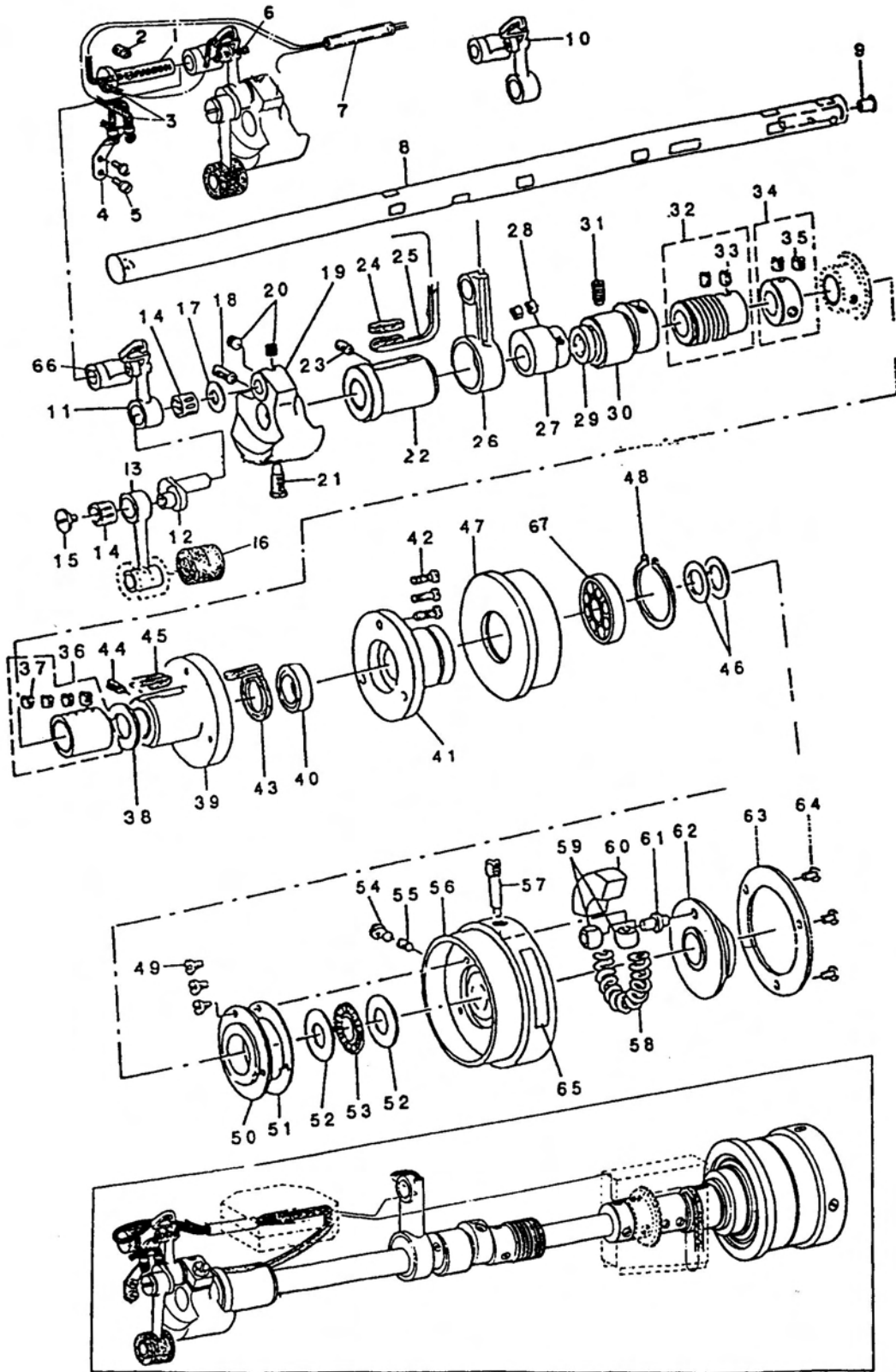
2、安全板部件



2. 安全板部件

序号	零件名称	制造件号 (标准件规格)	数量	序号	零件名称	制造件号 (标准件规格)	数量
1	安全板组件	CCF780-10201-OAO	1	8	螺柱	CCF780-10208-000	1
2	安全板	CCF780-10202-000	1	9	安全板连接架座	CCF780-10209-000	1
3	螺钉 11/64-40,L=7	CCF780-10203-SP	2	10	安全板连接架	CCF780-10210-000	1
4	垫圈 4.5×10×0.8	CCF780-10204-SD	2	11	弹性圆柱销 2×6	GB879-76	1
5	连接架座连接螺钉	CCF780-10205-SP	1	12	螺母 11/64-40	CCF780-10211-SP	1
6	扭矩弹簧	CCF780-10206-000	1	13	螺母 3/16-28	CCF780-10142-SP	1
7	垫圈 7.4×11.8×0.5	CCF780-10207-SD	1	14	螺钉 11/64-40,L=11	CCF780-10212-SP	1

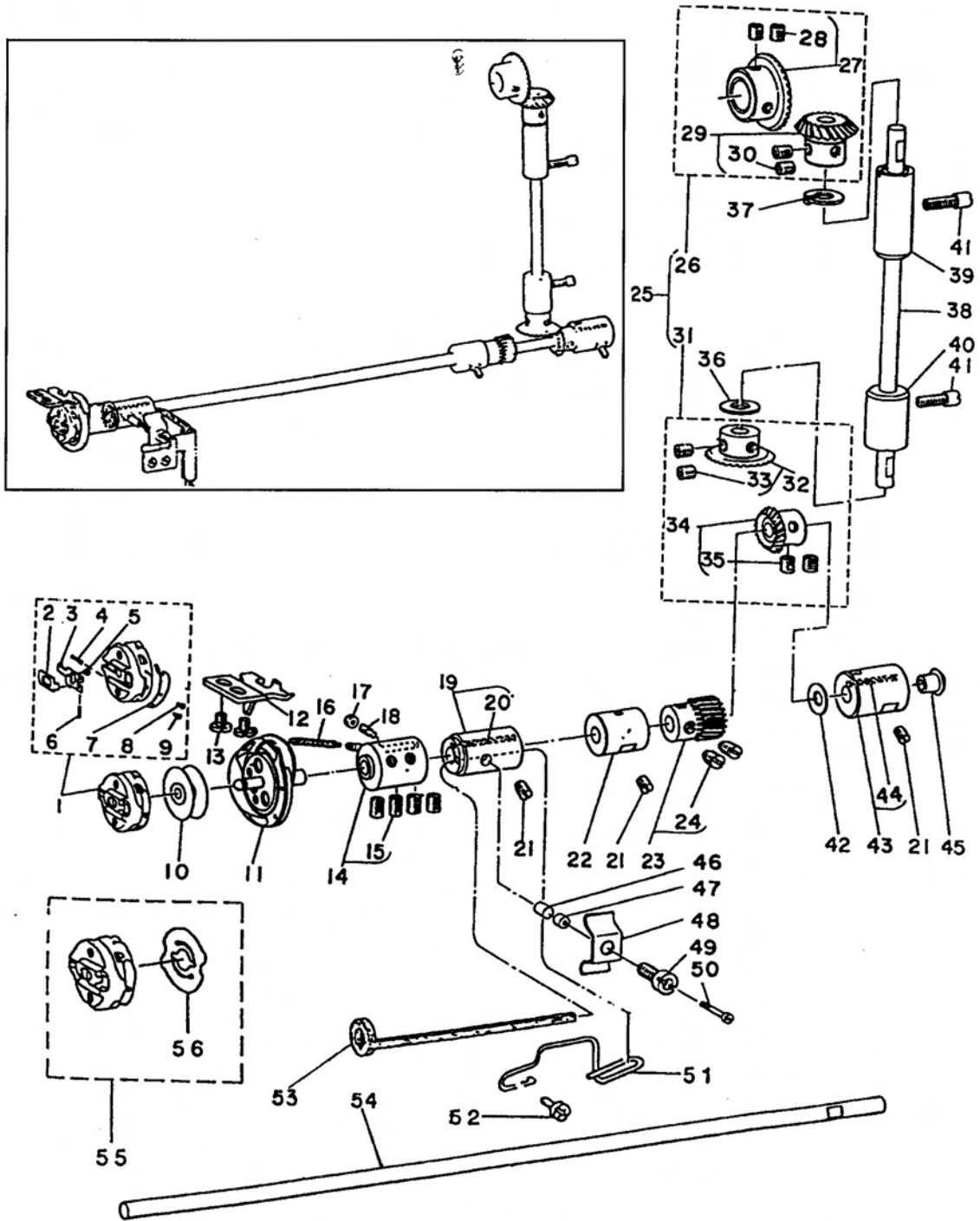
3、上轴部件



3. 上轴部件

序号	零件名称	制造件号 (标准件规格)	数量	序号	零件名称	制造件号 (标准件规格)	数量
1	挑线连杆销	CCF780-10301-000	1	34	上轴螺旋齿轮挡圈 D=14.73W=1	CCF780-10332-SH	1
2	螺钉 15/64-28,L=10.5	CCF780-10302-SP	1	35	螺钉 1/4-40,L=4.5	CCF780-10333-TP	2
3	油芯	CCF780-10303-00	1	36	上轴挡圈	CCF780-10334-OAO	1
4	油芯座	CCF780-10304-000	1	37	螺钉 1/4-40,L=4.5	CCF780-10333-TP	4
5	螺钉 9/64-40,L=4.6	CCF780-10305-SP	2	38	上轴止推垫圈	CCF780-10335-000	1
6	油芯环	CCF780-10306-00	1	39	上轴后轴承	CCF780-10336-000	1
7	套管(白色)	CCF780-10307-00	1	40	骨架式油封	HG4-692-67	1
8	上轴	CCF780-10308-A	1	41	停车带轮安装座	CCF780-10337-000-A	1
9	橡胶插塞	CCF780-10309-RO	1	42	螺钉 11/64-40,L=10.5	CCF780-10338-SP	3
10	挑线杆组件	CCF780-10310-BAO	1	43	油毡	CCF780-10339-000	1
11	挑线杆组件	CCF780-10312-OAO	1	44	螺钉 15/64-28,L=7	CCF780-10323-SP	1
12	针杆曲柄	CCF780-10313-000	1	45	油毡	CCF780-10340-000	1
13	针杆曲柄连杆	CCF780-10314-000	1	46	调整垫圈	CCF780-10341-00B	1
14	滚针轴承 1924/8	JB2581-76	2	47	空转带轮	CCF780-10342-OBO	1
15	针杆曲柄左旋螺钉	CCF780-10315-000	1	48	轴用弹性挡圈 30	GB894-76	1
16	油毡圈	CCF780-10316-000	1	49	螺钉 9/64-40,L=3.5	CCF780-10343-SP	3
17	止推垫圈	CCF780-10317-000	1	50	带轮轴承盖	CCF780-10344-000	1
18	螺钉	CCF780-10318-TP	1	51	带轮轴承盖衬垫	CCF780-10345-000	1
19	平衡块	CCF780-10319-000	1	52	滚针轴承前后盖	CCF780-10346-000	2
20	螺钉 1/4-40,L=5	CCF780-10320-TP	2	53	推力滚针轴承 589102	JB2581-76	1
21	螺钉 9/32-28,L=15.8	CCF780-10321-TP	1	54	螺钉 1/4-40,L=5.0	CCF780-10348-SP	1
22	上轴前轴承	CCF780-10322-000	1	55	螺钉 1/4-40,L=5	CCF780-10320-TP	1
23	螺钉 15/64-28,L=7	CCF780-10323-SP	2	56	传动带轮	CCF780-10349-000	1
24	油毡	CCF780-10324-000	1	57	螺钉	CCF780-10350-000	1
25	油毡	CCF780-10325-000	1	58	止动凸轮压簧	CCF780-10351-000	1
26	刀杆传动连杆	CCF780-10326-000	1	59	止动凸轮压滑块	CCF780-10352-000	2
27	刀杆传动偏心凸轮	CCF780-10327-000	1	60	扇形止动块	CCF780-10353-000	1
28	螺钉 1/4-40,L=8	CCF780-10328-TP	2	61	止动凸轮定位销	CCF780-10354-000	1
29	骨架式油封	HG4-692-67	1	62	止动凸轮	CCF780-10355-000	1
30	上轴中轴承	CCF780-10329-000-A	1	63	止动凸轮压圈	CCF780-10356-000	1
31	螺钉 15/64-28,L=10.5	CCF780-10302-SP	1	64	螺钉 11/64-40,L=7	CCF780-10140-SP	3
32	蜗杆	CCF780-10330-OAO	1	65	带轮旋转方向标识贴	CCF780-10357-OI	1
33	螺钉 1/4-40,L=6	CCF780-10331-TP	2	66	挑线杆曲柄	CCF780-10311-000	1
				67	轴承 80106	GB278-76	1

4、下轴部件



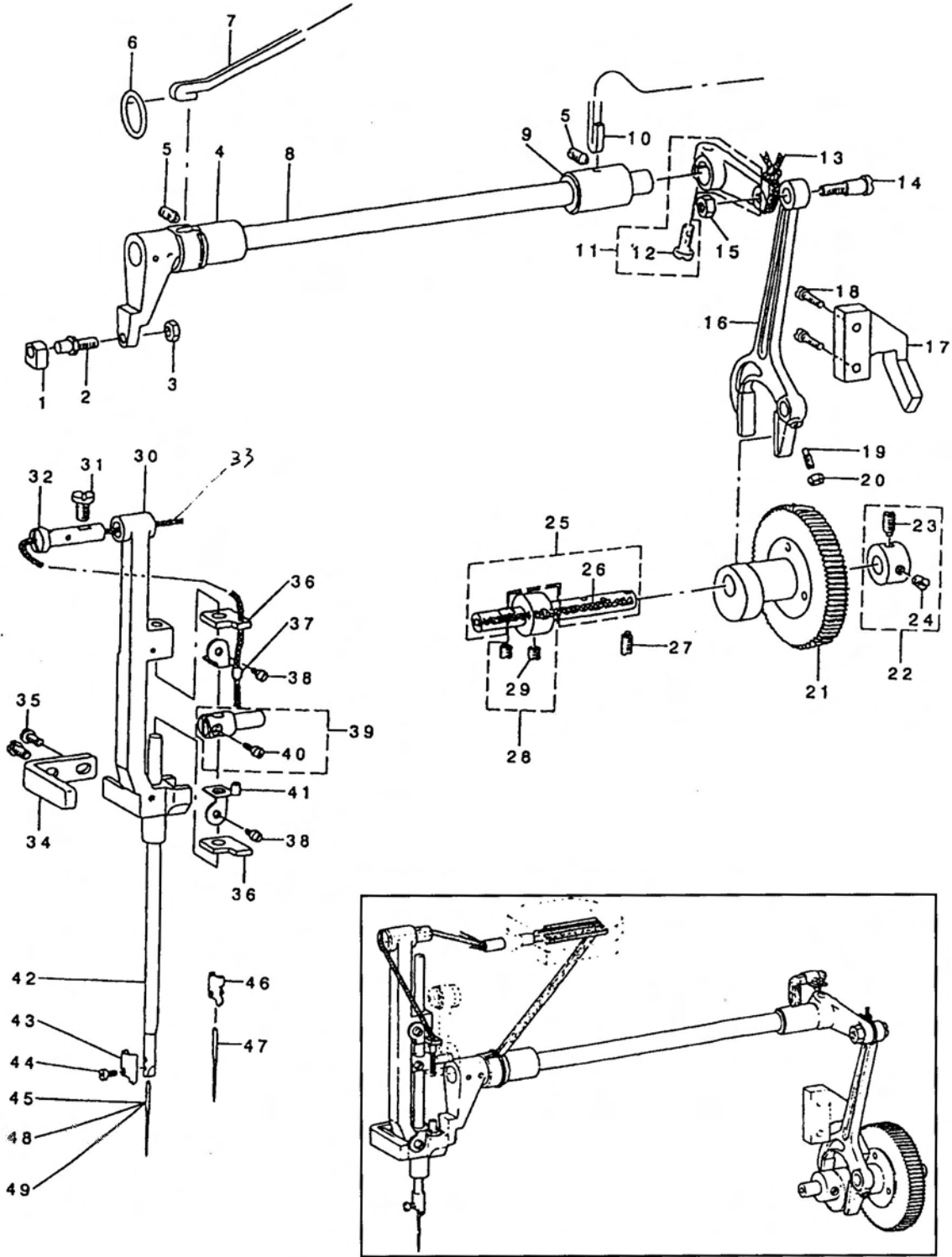
4. 下轴部件

序号	零件名称	制造件号 (标准件规格)	数量	序号	零件名称	制造件号 (标准件规格)	数量
1	梭壳组件	广激 BC-DP ₂	1	28	螺钉 1/4-40,L=7	CCF780-10414-TP	2
				29	立轴螺旋伞齿轮(上)	CCF780-10415-OAO	1
				30	螺钉 1/4-40,L=7	CCF780-10414-TP	2
				31	螺钉伞齿轮付组件(下)	CCF780-10415-OBO	1
				32	立轴螺旋伞齿轮(下)	CCF780-10416-OAO	1
				33	螺钉 1/4-40,L=7	CCF780-10414-TP	2
				34	下轴螺旋伞齿轮	CCF780-10417-OAO	1
				35	螺钉 1/4-40,L=7	CCF780-10414-TP	2
				36	立轴螺旋伞齿轮(下)垫圈	CCF780-10317-OOO	1
10	梭心	CCF780-10401-OOO	1	37	立轴螺旋伞齿轮(上)垫圈	CCF780-10318-OOO	1
11	旋梭	广激 465-03/DP ₂ -NJ	1	38	立轴	CCF780-10419-OOO	1
12	定位钩	CCF780-10402-OOO	1	39	立轴上轴承	CCF780-10420-OOO	1
13	螺钉 11/64-40,L=5	CCF780-10158-SP	2	40	立轴下轴承	CCF780-10421-OOO	1
14	旋梭轴接套组件	CCF780-10403-OAO	1	41	螺钉 15/64-28,L=11.5	CCF780-10422-SP	2
15	螺钉 1/4-40,L=6	CCF780-10404-TP	4	42	下轴螺旋伞齿轮垫圈	CCF780-10318-OOO	1
16	油芯	CCF780-10405-OAO	1	43	下轴后轴承	CCF780-10423-OOO	1
17	螺母 9/64-40	CCF780-10406-SP	1	44	油芯	CCF780-10424-OO	1
18	油量调节螺母	CCF780-10407-OOO	1	45	橡胶插塞	CCF780-10425-RO	1
19	下轴前轴承	CCF780-10408-OAO	1	46	油量调节橡胶塞	CCF780-10426-OAO	1
20	油芯	CCF780-10405-OAO	1	47	油量调节橡胶嵌件	CCF780-10427-OOO	1
21	螺钉 15/64-28,L=7	CCF780-10323-SP	3	48	油量调节橡胶嵌钉座	CCF780-10428-OOO	1
22	下轴中轴承	CCF780-10409-OOO	1	49	旋梭油量调节螺钉	CCF780-10429-OOO	1
23	针杆摆动小齿轮	CCF780-10410-OAO	1	50	定位螺钉	CCF780-10430-OOO	1
24	螺钉 1/4-40,L=6	CCF780-10331-TP	2	51	油毡夹	CCF780-10431-OOO	1
25	螺旋伞齿轮付组件	CCF780-10411-OOO	1	52	螺钉 15/64-28,L=7	CCF780-10432-SP	1
26	螺旋伞齿轮付组件(上)	CCF780-10412-OBO	1	53	下轴前轴承长油毡	CCF780-10434-OOO	1
27	上轴螺旋伞齿轮	CCF780-10413-OAO	1	54	下轴	CCF780-10435-OOO	1

5. 压棒及送料部件

序号	零件名称	制造件号 (标准件规格)	数量	序号	零件名称	制造件号 (标准件规格)	数量
1	压簧调节螺钉	CCF780-10501-000	1				
2	压棒	CCF780-10502-000	1	31	送布拖板	CCF780-10527-A00-A	1
3	压簧	CCF780-10503-000	1				
4	压棒导向支架	CCF-780-10504-000	1	33	支架盖板组件	CCF780-10528-OAO	1
5	导架螺钉 11/64-40,L=12.8	CCF780-10505-SP	2	34	螺钉 11/64-40,L=8	CCF780-10529-SP	2
6	压棒定位架	CCF780-10506-OAO	1	35	送料支架	CCF780-10530-OAO	1
7	螺钉 1/4-40,L=8	CCF780-10328-TP	1	36	螺钉 15/64-28,L=14	CCF780-10531-SP	1
8	轴承	CCF780-10507-000	1	37	送料支架连杆	CCF780-10532-000	1
9	滑动滚轮	CCF780-10508-000	1	38	铰链销螺钉 D=8.73H=6.0	CCF780-10533-SP	1
10	滑动滚轮销	CCF780-10509-000	1	39	压脚臂滑杆	CCF780-10534-000	1
11	支架组件	CCF780-10510-AAO-A	1	40	送布拖板支架导板	CCF780-10535-000	1
12	支架	CCF780-10510-000-A	1	41	螺钉 9/64=40,L=9.5	CCF780-10536-SP	2
13	保险架	CCF780-10511-000-A	1	42	布料夹	CCF780-10537-000	1
14	螺钉 9/64-40,L=6	CCF780-10512-SP	1	43	连接销	CCF780-10538-000	1
15	压棒螺钉 9/64-40,L=15	CCF780-10513-SP	1	44	螺钉 15/64-40,L=8.5	CCF780-10539-SP	1
16	螺钉 11/64-40,L=7	CCF780-10140-SP	1	45	托架	CCF780-10540-000	1
17	压脚架	CCF780-10514-000	1	46	螺钉 15/64-28,L=7	CCF780-10323-SP	1
18	螺钉 11/64-40,L=8.5	CCF780-10515-TP	1	47	螺钉 15/64-28,L=11	CCF780-10541-SP	1
19	螺钉 11/64-40,L=7.8	CCF780-10516-SP	1	48	调节送料长度铰链销螺钉	CCF780-10542-SP	1
20	螺母 11/64-40,L=7.8	CCF780-10516-SP	1	49	调节送料长度轴导板	CCF780-10543-000	1
21	闭剪控制板	CCF780-10517-00A	1	50	螺母 15/64-28	CCF780-10544-SP	1
22	开剪控制板	CCF780-10518-00B	1	51	调节送料长度刻度盘	CCF780-10545-OAO	1
23	压脚板座	CCF780-10519-OBO	1	52	曲柄	CCF780-10546-VAO-A	1
24	压脚板座弹簧销	CCF780-10520-000	1	53	圆柱内六角螺钉 6×16	GB70-76	1
25	压脚弹簧板	CCF-780-10521-000	2	54	滚子	CCF780-10547-000	1
26	压脚弹簧定位销	CCF780-10522-00B	2	55	曲柄滚子销螺钉	CCF780-10548-000	1
27	压脚板座轴位螺钉	CCF-780-10523-SP	1	56	螺母 15/64-28	CCF780-10544-SP	1
28	螺钉 3/32-56,L=1.9	CCF780-10524-SP	2	57	垫圈 6.5×13×0.8	CCF780-10549-SD	1
29	压脚板组件	CCF780-10525-000	1				

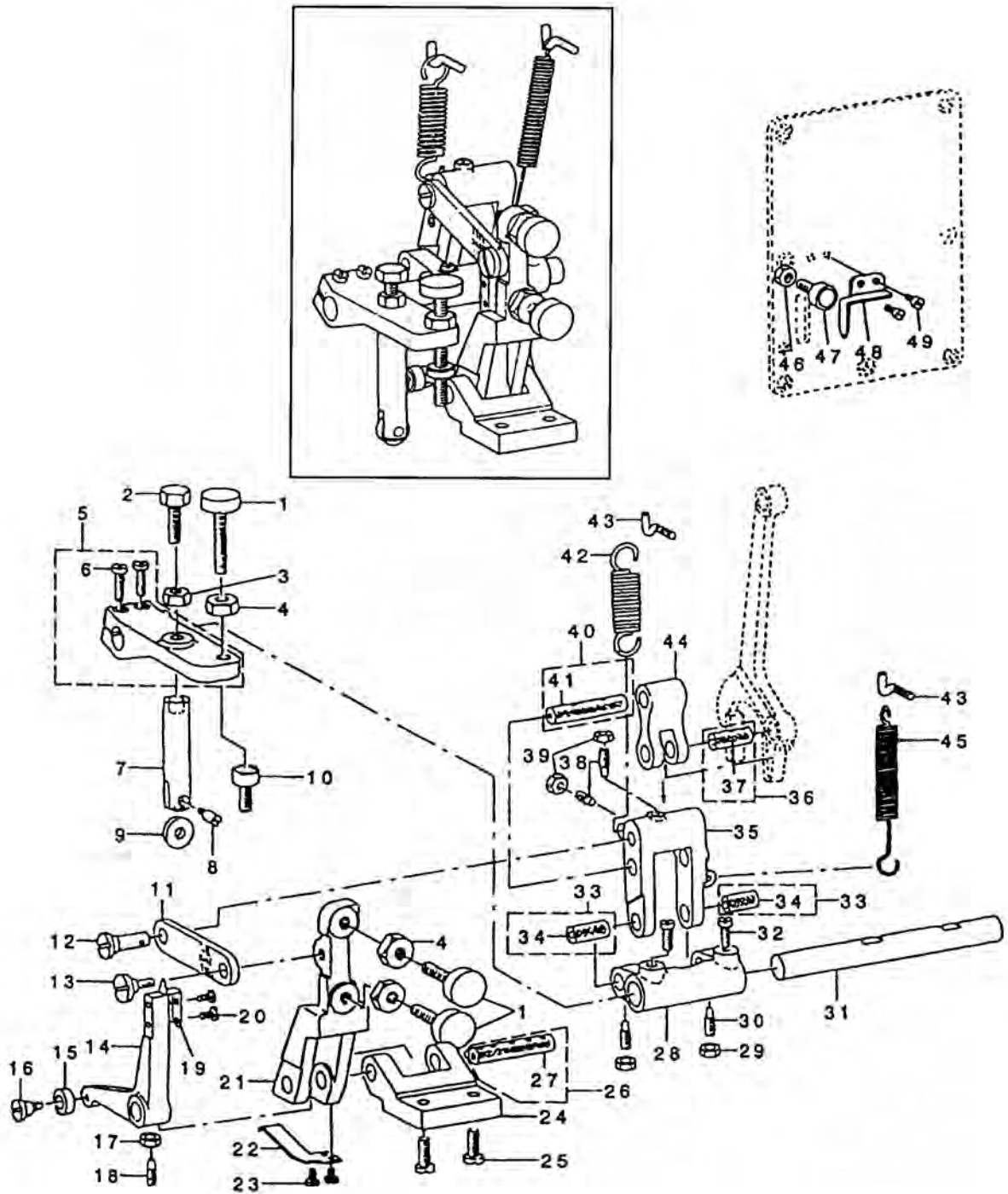
6、针杆架部件



6. 针杆架部件

序号	零件名称	制造件号 (标准件规格)	数量	序号	零件名称	制造件号 (标准件规格)	数量
1	针杆架传动滑块	CCF780-10601-OOO	1	26	油芯	CCF780-10621-OO	/
2	滑块销螺钉	CCF780-10602-OOO	1	27	螺钉 15/64-28,L=11	CCF780-10541-SP	/
3	螺母 15/64-28	CCF780-10544-SP	1	28	机针摆凸轮挡圈 D=8.53W=10	CCF780-10619-SH	/
4	摆杆前轴承	CCF-780-10603-OOO	1	29	螺钉 15/64-28,L=7	CCF780-10323-SP	1
5	螺钉 15/64-28,L=10.5	CCF780-10302-SP	2	30	针杆摆架	CCF780-10622-OOO	1
6	油毡夹紧环 20×2.4	GB1235-76	1	31	螺钉 15/64-28,L=11	CCF780-10623-SP	1
7	油毡	CCF780-10605-OOO	1	32	针杆摆架铰链销	CCF780-10301-OOO	2
8	摆杆前曲柄	CCF780-10606-OAO	1	33	油芯	CCF780-10611-OO	1
9	摆杆后轴承	CCF780-10607-OOO	1	34	针杆摆动架定位架	CCF780-10625-OOO	1
10	油毡	CCF780-10608-BOO	1	35	螺钉 11/64-40,L=8	CCF780-10529-SP	1
11	摆杆后曲柄	CCF780-10609-OAO	1	36	油毡	CCF780-10626-OOO	1
12	螺钉 15/64-28,L=12	CCF780-10610-SP	1	37	油绳高端固定架	CCF780-10627-OOO	1
13	油芯	CCF780-10611-OO	1	38	螺钉 9/64-40,L=4.5	CCF780-10628-SP	2
14	摆动叉铰链销螺钉 D=7.94H=8	CCF780-10612-SP	1	39	针杆连接杆	CCF780-10629-OAO	1
15	螺母 1/4-24	CCF780-10613-SP	1	40	螺钉 9/64-40,L=8.5	CCF780-10631-TP	1
16	针杆摆动叉	CCF780-10614-OOO	1	41	油绳低端固定架	CCF780-10632-OOO	2
17	摆动叉导板	CCF780-10615-OOO	1	42	针杆	CCF780-10633-OOO	1
18	螺钉 11/64-40,L=16	CCF780-10616-SP	2	43	针杆导线架	CCF780-10634-OOO	1
19	螺钉 11/64-40,L=12	CCF780-10617-SP	1	44	螺钉 1/8-44,L=4.5	CCF780-10635-TP	1
20	螺母 11/64-40	CCF780-10211-SP	1	45	机针	DP×5 #11J	1
21	机针摆凸轮组件	CCF780-10618-OOO	1	46	针杆导线架	CCF780-10636-OOO	1
22	机针摆动凸轮挡圈 D=9.53H=10	CCF780-10619-SH	1	47	机针	134ES 75	1
23	螺钉 15/64-28,L=11	CCF780-10541-SP	1	48	机针	DP×5 #14	1
24	螺钉 15/64-28,L=7	CCF780-10323-SP	1	49	机针	134 75	1
25	机针摆凸轮轴	CCF780-10620-OAO	1				1

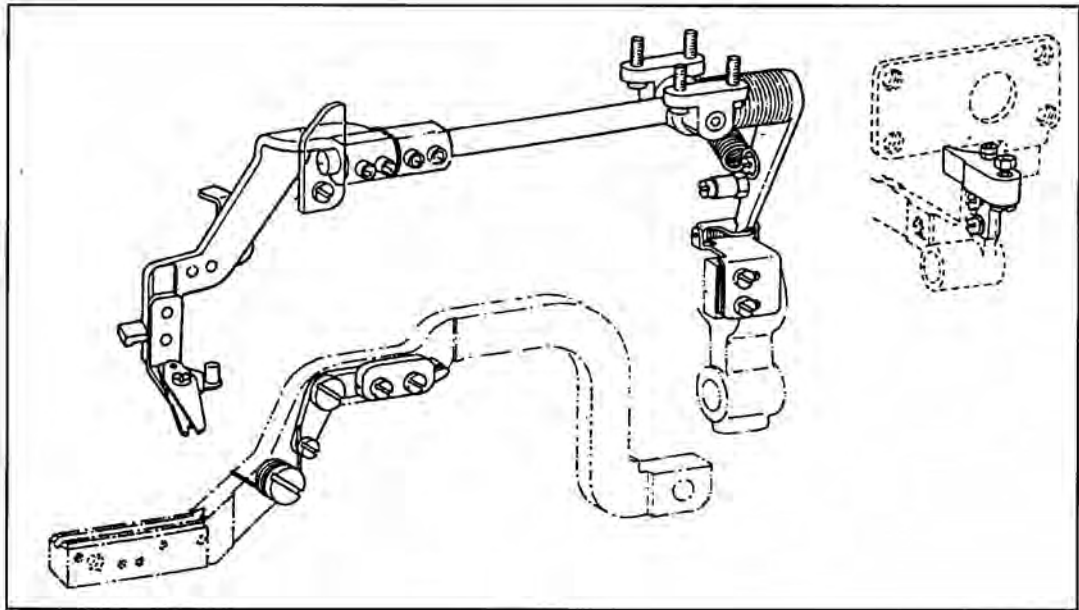
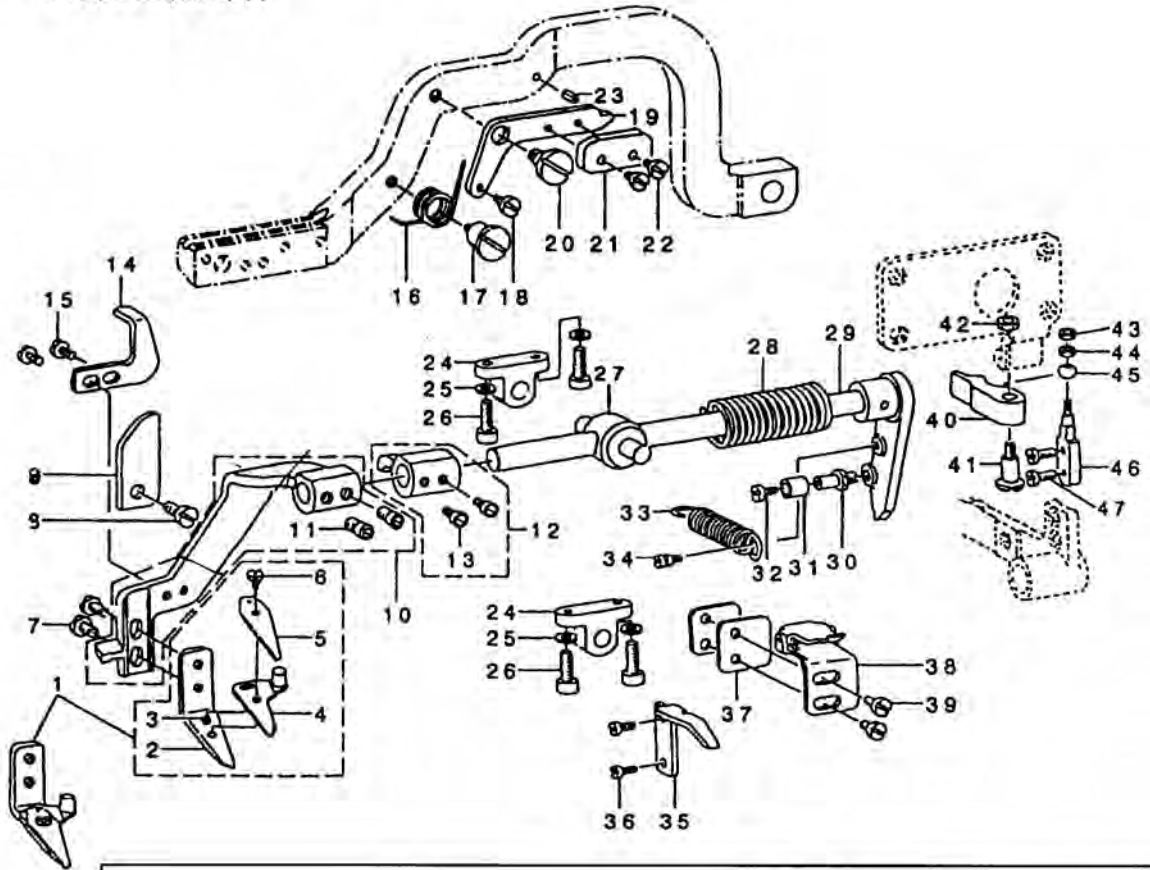
7、针摆幅度调节部件



7. 针摆幅度调节部件

序号	零件名称	制造件号 (标准件规格)	数量	序号	零件名称	制造件号 (标准件规格)	数量
1	基线调节螺钉	CCF780-10701-000-A	3	26	调节架轴	CCF780-10718-OAO	1
2	调节螺钉 MS,L=20	CCF780-10733-000	1	27	油芯	CCF780-10736-OO	1
3	左基线调节螺母	CCF780-10732-SP	1	28	基线变换架	CCF780-10719-000	1
4	螺母 MS	GB41-76	3	29	螺母 11/64-40	CCF780-10211-SP	1
5	基线调节柄	CCF780-10702-OAO-A	1	30	螺钉 11/64-40,L=12	CCF780-10617-SP	1
6	螺钉	CCF780-10703-SP	2	31	基线变换架轴	CCF780-10720-000	1
7	基线变换顶杆	CCF780-10704-OBO	1	32	螺钉 15/64-28,L=9	CCF780-10721-SP	2
8	滚轮销轴螺钉	CCF780-10705-000	1	33	连接销	CCF780-10722-OAO	2
9	滚轮	CCF780-10706-000	1	34	泊芯	CCF780-10737-OO	2
10	基线调节柄限位螺钉	CCF780-10707-OAO	1	35	振幅变换架	CCF780-10723-000	1
11	振幅调节连杆	CCF780-10708-000	1	36	连接销	CCF780-10724-OAO	1
12	振幅调节连杆铰链销	CCF780-10709-000	1	37	油芯	CCF780-10734-OO	1
13	调节连杆铰链螺钉 D=7.94H=4.3	CCF780-10710-SP	1	38	螺钉 11/64-40,L=12	CCF780-10617-SP	2
14	加固变换顶杆	CCF780-10711-000	1	39	螺母 11/64-40	CCF780-10211-SP	2
15	加固变换顶杆滚轮	CCF780-10712-000	1	40	连接销	CCF780-10725-OAO	1
16	滚轮铰链螺钉 D=6.35H=4.7	CCF780-10713-SP	1	41	油芯	CCF780-10735-OO	1
17	螺母 11/64-40	CCF780-10211-SP	1	42	拉簧	CCF780-10726-000	1
18	螺钉 11/64-40,L=12	CCF780-10617-SP	1	43	悬挂螺钉	CCF780-10727-000	2
19	加固振幅宽度指针	CCF780-10714-000	1	44	针杆架摆动连杆	CCF780-10728-000	1
20	螺钉 1/8-44,L=4.5	CCF780-10635-TP	2	45	拉簧	CCF780-10729-000	1
21	振幅调节架	CCF780-10715-000-A	1	46	螺母 15/64-28	CCF780-10544-SP	1
22	变换顶杆复位弹簧板	CCF780-10716-000	1	47	基线调节柄限位螺钉	CCF780-10707-OAO	1
23	螺钉 1/8-44,4.5	CCF780-10635-TP	2	48	横列振幅宽度指针	CCF780-10731-000	1
24	振幅调节架座	CCF780-10717-000	1	49	螺钉 1/8-44,L=4.5	CCF780-10635-SP	2
25	螺钉 15/64-28,L=12	CCF780-10610-SP	2				

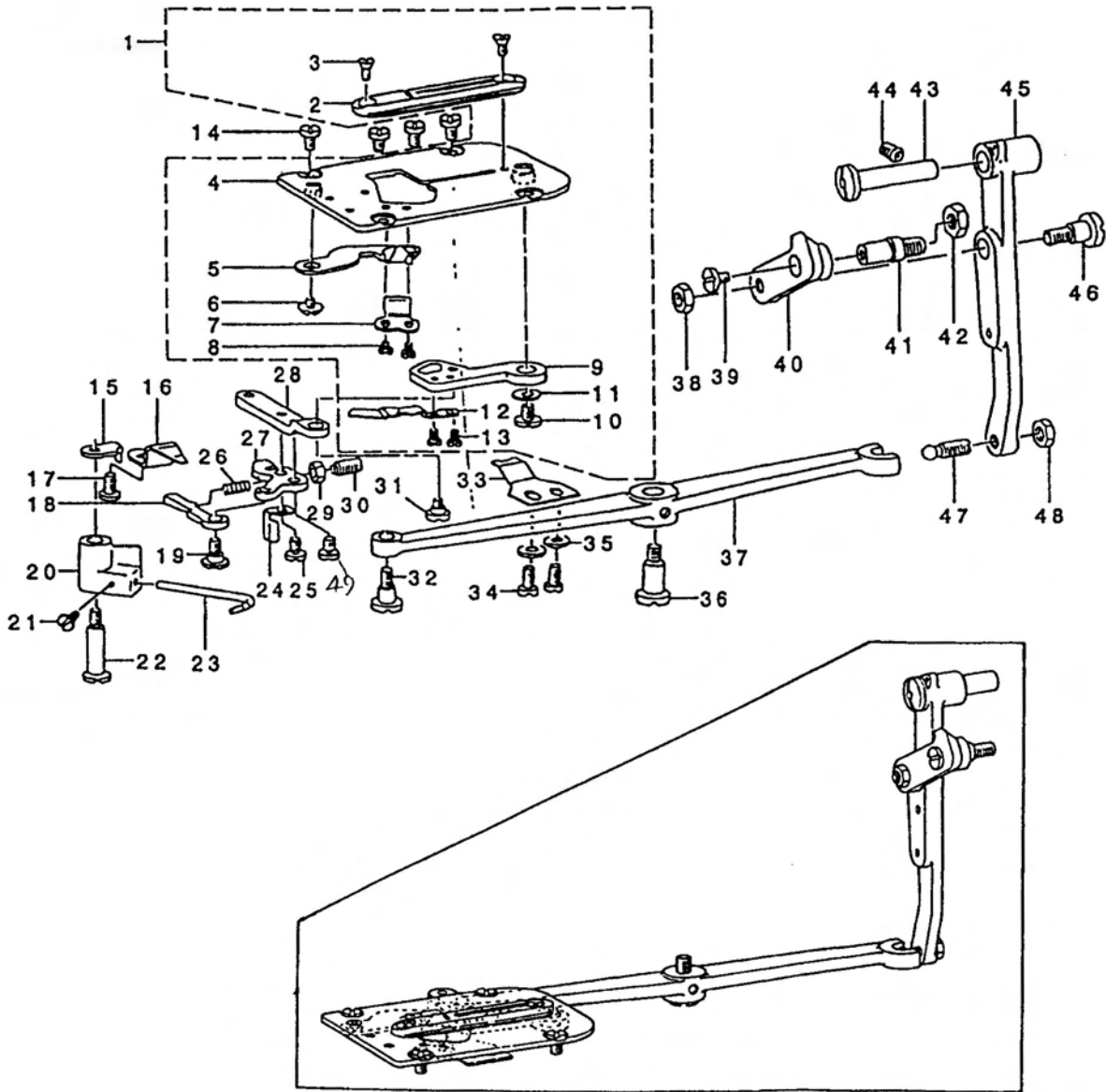
8、剪面线器部件



8. 剪面线器部件

序号	零件名称	制造件号 (标准件规格)	数量	序号	零件名称	制造件号 (标准件规格)	数量
1	面线修正器组件	CCF780-10801-OAO	1	25	垫圈 5.2×8.2×1	CCF780-10820-KN	4
2	面线剪刀下刀片	CCF780-10802-OOO	1	26	圆柱头内六角螺钉 3/16-32,L=12	CCF780-10821-TP	4
3	定位销	CCF780-10803-OOO	1	27	万向接头	CCF780-10822-OOO	1
4	面线剪刀上刀片	CCF780-10804-OAO	1	28	弹簧	CCF780-10823-OOO	1
5	面线剪刀压簧板	CCF780-10805-OOO	1	29	剪面线器轴组件	CCF780-10824-OBO	1
6	铰链销螺钉 D=4,H=1.8	CCF780-10806-TP	1	30	面线剪刀起动滚轮销	CCF780-10825-OOO	1
7	螺钉 11/64-40,L=5	CCF780-10158-SP	2	31	面线剪刀起动滚轮	CCF780-10826-OOO	1
8	剪面线器轴导板	CCF780-10807-OOO	1	32	螺钉 1/8-44,L=6	CCF780-10827-TP	1
9	螺钉 15/64-28,L=7	CCF780-10808-SP	1	33	面线剪刀复位拉簧	CCF780-10828-OOO	1
10	面线剪刀摆动架	CCF780-10809-OBO-A	1	34	拉簧悬挂螺钉	CCF780-10829-OOO	1
11	支头螺钉 M6×10	GB-T78-1985	2	35	线头控制器压板	CCF780-10830-OOO	1
12	面线剪刀安全曲柄	CCF780-10811-OBO-A	1	36	螺钉 9/64-40,L=6.8	CCF780-10512-SP	2
13	支头螺钉 M6×10	GB-T78-1985	2	37	垫片	CCF780-10831-OOO	1
14	限位板	CCF780-10812-OOO	1	38	锁架组件	CCF780-10832-OAO	1
15	螺钉 11/64-40L=7.8	CCF780-10516-SP	2	39	螺钉 11/64-40L=7.8	CCF780-10516-SP	2
16	安全凸轮转矩弹簧	CCF780-10813-OOO	1	40	剪线轴运动量顶块	CCF780-10833-OOO	1
17	安全凸轮转矩弹簧轴	CCF780-10814-OOO	1	41	铰链销螺钉 D=6.35,H=10	CCF780-10834-SP	1
18	铰链销螺钉 D=4.5,H=4	CCF780-10815-SP	1	42	螺母 11/64-40	CCF780-10211-SP	1
19	安全凸轮安装板	CCF780-10816-OOO	1	43	螺母 1/8-44	CCF780-10836-SP	1
20	铰链销螺钉 D=7.94,H=3	CCF780-10817-OOO	1	44	螺母 1/8-44	CCF780-10835-SP	1
21	安全凸轮板	CCF780-10818-OOO	1	45	滚柱	CCF780-10837-OOO	1
22	螺钉 9/64-40,L=6.8	CCF780-10512-SP	2	46	滚柱轴	CCF780-10838-OOO	1
23	弹性圆柱销 3×10	GB/T879-1986	1	47	螺钉 11/64-40,L=7.8	CCF780-10516-SP	2
24	万向接头座	CCF780-10819-OOO	1				

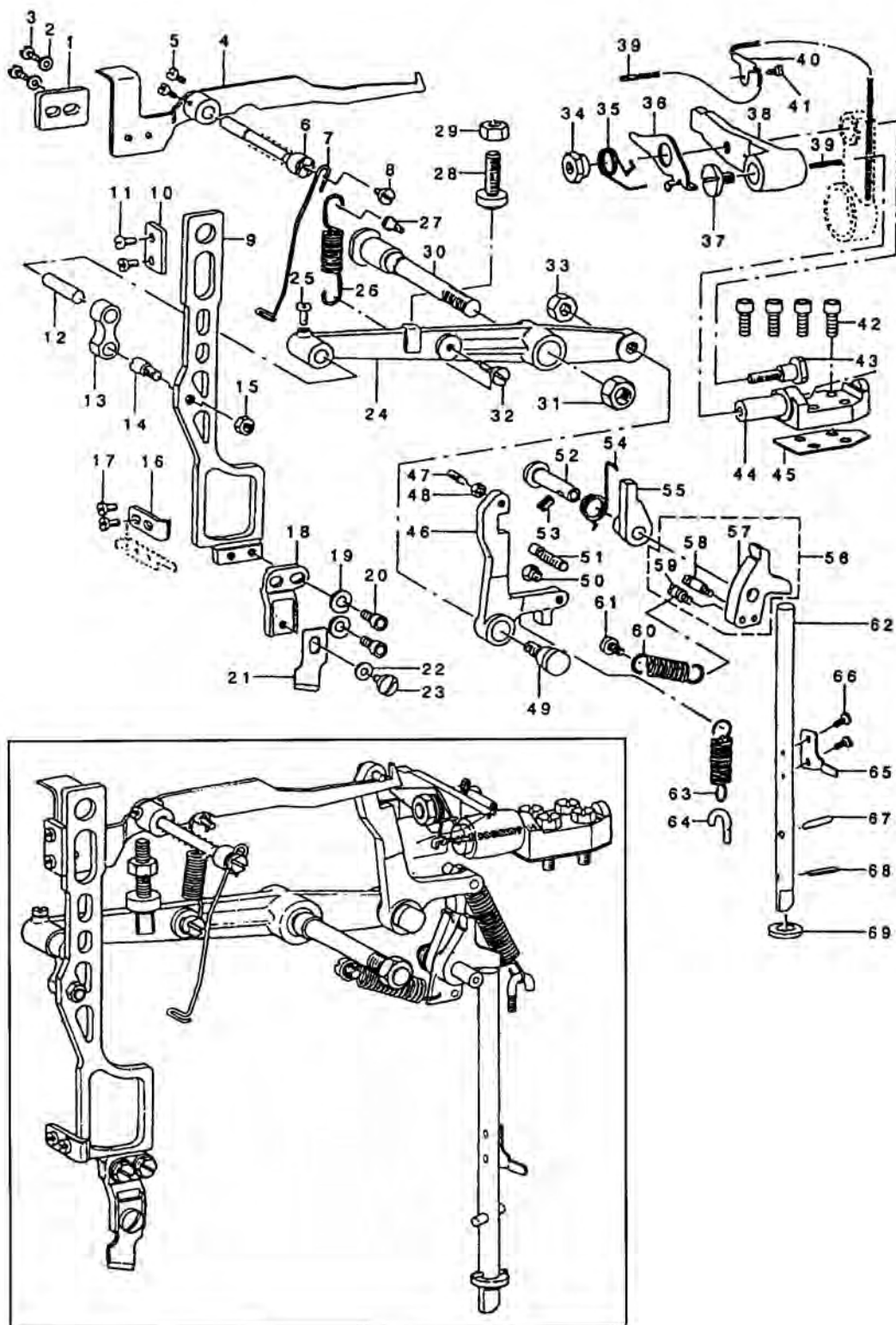
9、剪底线器部件



9. 剪底线器部件

序号	零件名称	制造件号 (标准件规格)	数量	序号	零件名称	制造件号 (标准件规格)	数量
1	剪底线器组件	CCF780-10901-OAO	1	26	压板调节弹簧	CCF780-10925-000	1
2	针板	CCF780-10902-000	1	27	顶杆座	CCF780-10926-000	1
3	螺钉 9/64-40,L=5	CCF780-10903-SP	2	28	剪底线连杆	CCF780-10927-000	1
4	针板座组件	CCF780-10904-OBO	1	29	螺母	CCF780-10928-SP	1
5	剪底线动刀	CCF780-10905-OAO	1	30	压板调节螺钉	CCF780-10929-000	1
6	螺钉 9/64-40,L=3.2	CCF780-10906-SP	1	31	铰链销螺钉 D=6.35,H=3.2	CCF780-10930-SP	1
7	剪底线定刀	CCF780-10907-000-A	1	32	铰链销螺钉 D=6.35,H=6	CCF780-10931-SP	1
8	螺钉 1/8-44,L=3.4	CCF780-10908-SP	2	33	梭芯导线架	CCF780-10932-000	1
9	剪底线杆	CCF780-10909-000	1	34	螺钉 9/64-40,L=5	CCF780-10933-SP	2
10	螺钉 11/64-40,L=4.8	CCF780-10910-SP	1	35	垫圈 4.5×8×0.5	CCF780-10108-SP	2
11	垫圈 4.5×20×1	CCF780-10911-SP	1	36	铰链销螺钉 D=7.94H=12.7	CCF780-10934-SP	1
12	底线拉杆	CCF780-10912-000	1	37	剪底线传动连杆	CCF780-10935-000	1
13	螺钉 9/64-40,L=4	CCF780-10913-SP	2	38	螺母 15/64-28	CCF780-10544-SP	1
14	螺钉 9/64-40,L=6	CCF780-10914-SP	4	39	螺钉 11/64-40,L=4.8	CCF780-10936-SP	1
15	旋梭线压力挡板	CCF780-10915-000-A	1	40	凸轮连杆	CCF780-10937-000	1
16	压板	CCF780-10916-000	1	41	轴位螺钉	CCF780-10938-000	1
17	螺钉 11/94-40,L=7.8	CCF780-109516-SP	1	42	螺母 9/32-28	CCF780-10939-SP	1
18	梭芯压杆顶杆	CCF780-10917-000	1	43	铰链销	CCF780-10940-000	1
19	铰链销螺钉	CCF780-10918-SP	1	44	螺钉 15/64-28,L=7	CCF780-10323-SP	1
20	梭芯压杆架	CCF780-10919-000	1	45	剪底线器传动销	CCF780-10941-000	1
21	螺钉 9/64-40,L=6.1	CCF780-10920-TP	1	46	铰链销螺钉 D=7.94H=6.4	CCF780-10942-SP	1
22	梭芯压杆架轴	CCF780-10921-000	1	47	球型螺钉	CCF780-10934-000	1
23	梭芯压杆	CCF780-10922-000	1	48	螺母 15/64-28	CCF780-10544-SP	1
24	安全限位板	CCF780-10923-000	1	49	螺钉 11/64-40,L=7	CCF780-10203-SP	1
25	螺钉 11/64-40,L=6	CCF780-10924-TP	1				

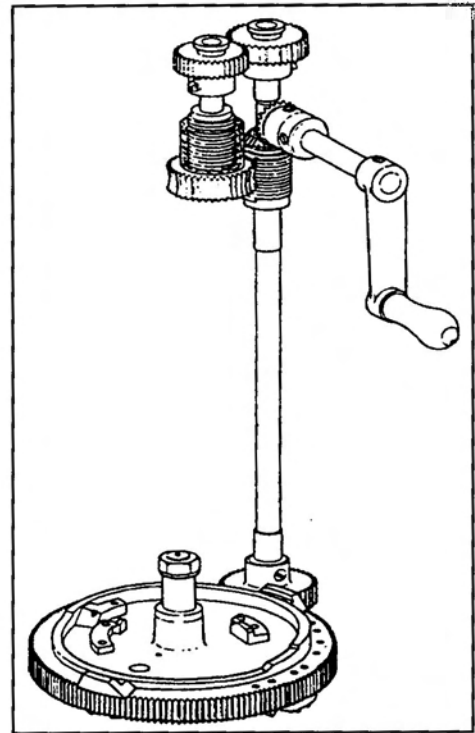
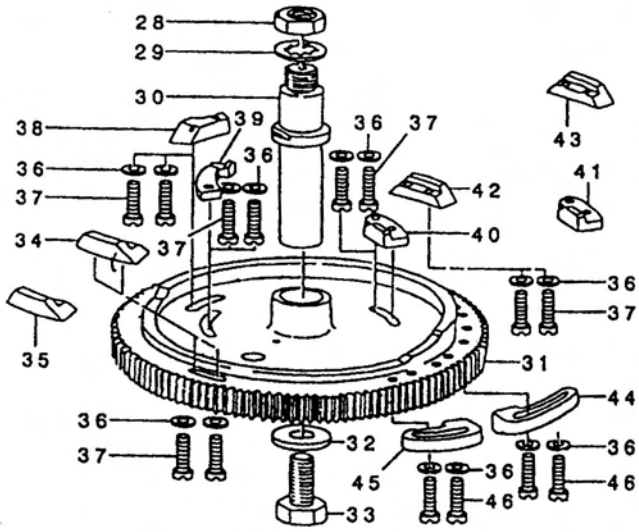
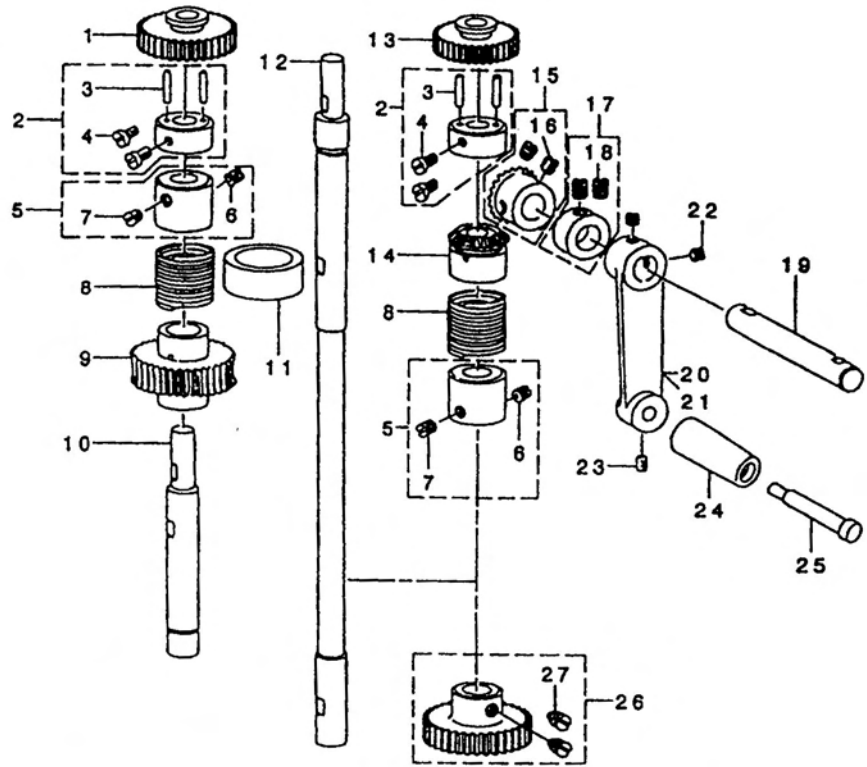
10、刀杆部件



10. 刀杆部件

序号	零件名称	制造件号 (标准件规格)	数量	序号	零件名称	制造件号 (标准件规格)	数量
1	停刀杆平衡块	CCF780-11001-000	1	36	切刀驱动杆锁紧板	CCF780-11031-000	1
2	垫圈 4.8×8.4×0.8	CCF780-11002-SP	2	37	螺钉 1/4-24,L=9.5	CCF780-11032-SP	1
3	螺钉 11/64-40,L=7.8	CCF780-10516-SP	2	38	切刀驱动杆	CCF780-11033-000	1
4	停刀杆	CCF780-11004-000	1	39	油芯	CCF780-11041-00	1
5	螺钉 11/64-40,L=7	CCF780-11005-TP	2	40	油芯保持架	CCF780-11034-000	1
6	停刀杆铰链销	CCF780-11006-000	1	41	螺钉 9/64-40,L=6	CCF780-10123-SP	1
7	线检测钢丝	CCF780-11007-000	1	42	圆柱内六角螺钉 6×20	GB70-76	4
8	螺钉 11/64-40,L=7.8	CCF780-10516-SP	1	43	驱动杆铰链销螺钉	CCF780-11036-TH	1
9	刀杆	CCF780-11008-000-A	1	44	切刀驱动杆轴座	CCF780-11037-000	1
10	刀杆导板	CCF780-11009-A00	1	45	衬垫	CCF780-11038-000	1
11	螺钉 11/64-40,L=7	CCF780-10140-SP	2	46	切刀动作勾	CCF780-11039-000	1
12	销轴	CCF780-11010-000	1	47	螺钉 11/64-40,L=15.5	CCF780-11040-SP	1
13	刀杆连杆	CCF780-11011-000	1	48	螺母 11/65-40	CCF780-10211-SP	1
14	刀杆轴位螺钉	CCF780-11012-000	1	49	驱动杆铰链销螺钉	CCF780-11036-TH	1
15	螺母 1/4-40	CCF780-11013-SP	1	50	螺母 15/64-28	CCF780-11042-000	1
16	刀杆定位架	CCF780-11014-A00	1	51	切刀动作勾偏芯螺钉	CCF780-11043-000	1
17	螺钉 11/64-40,L=7.8	CCF780-10516-SP	2	52	切刀驱动爪铰链销	CCF780-10940-000	1
18	刀固定架	CCF780-11015-000	1	53	螺钉 15/64-28,L=7	CCF780-10323-SP	1
19	弹簧垫圈	GB93-76	2	54	转矩弹簧	CCF780-11045-000	1
20	圆柱内六角螺钉 6×12	GB70-76	2	55	切刀驱动爪辅块	CCF780-11046-000	1
21	1/2 切刀	CCF780-11016-LOO	1	56	切刀驱动爪主块组件	CCF780-11047-OAO-A	1
22	垫圈	CCF780-11017-SD	1	57	切刀驱动爪主块	CCF780-11048-000-A	1
23	螺钉 3/16-32,L=6.5	CCF780-11018-SP	1	58	弹簧挂钩	CCF780-11049-000	1
24	刀杆传动杆	CCF780-11019-000	1	59	挂钩	CCF780-11050-000	1
25	螺钉 11/64-40,L=8	CCF780-11020-SP	1	60	切刀驱动爪拉簧	CCF780-11051-000-A	1
26	刀杆传动杆复位拉簧	CCF780-11021-000	1	61	切刀驱动爪拉簧悬挂螺钉	CCF780-11052-SD	1
27	复位拉簧悬挂螺钉(上)	CCF780-11022-SP	1	62	切刀顶杆	CCF780-11053-00	1
28	切刀动作勾调节螺钉	CCF780-11023-OAO	1	63	切刀动作勾拉簧	CCF780-11054-000	1
29	螺母 5/16-18	CCF780-11024-SP	1	64	切刀动作勾拉簧螺钉	CCF780-11055-000	1
30	刀杆传动杆轴	CCF780-11025-000	1	65	线头控制器触杆	CCF780-11056-000	1
31	螺母 3/8-28	CCF780-11026-SP	1	66	螺钉 9/64-40,L=6.8	CCF780-10512-SP	2
32	复位拉簧悬挂螺钉(下)	CCF780-11027-SD	1	67	圆柱销 4×18	GB119-76	1
33	螺母 5-16-24	CCF780-11028-SP	1	68	弹性圆柱销 3×18	GB879-76	1
34	切刀驱动杆螺母	CCF780-11029-000	1	69	切刀顶杆缓冲垫圈	CCF780-11057-000	1
35	锁紧板转矩弹簧	CCF780-11030-000	1				

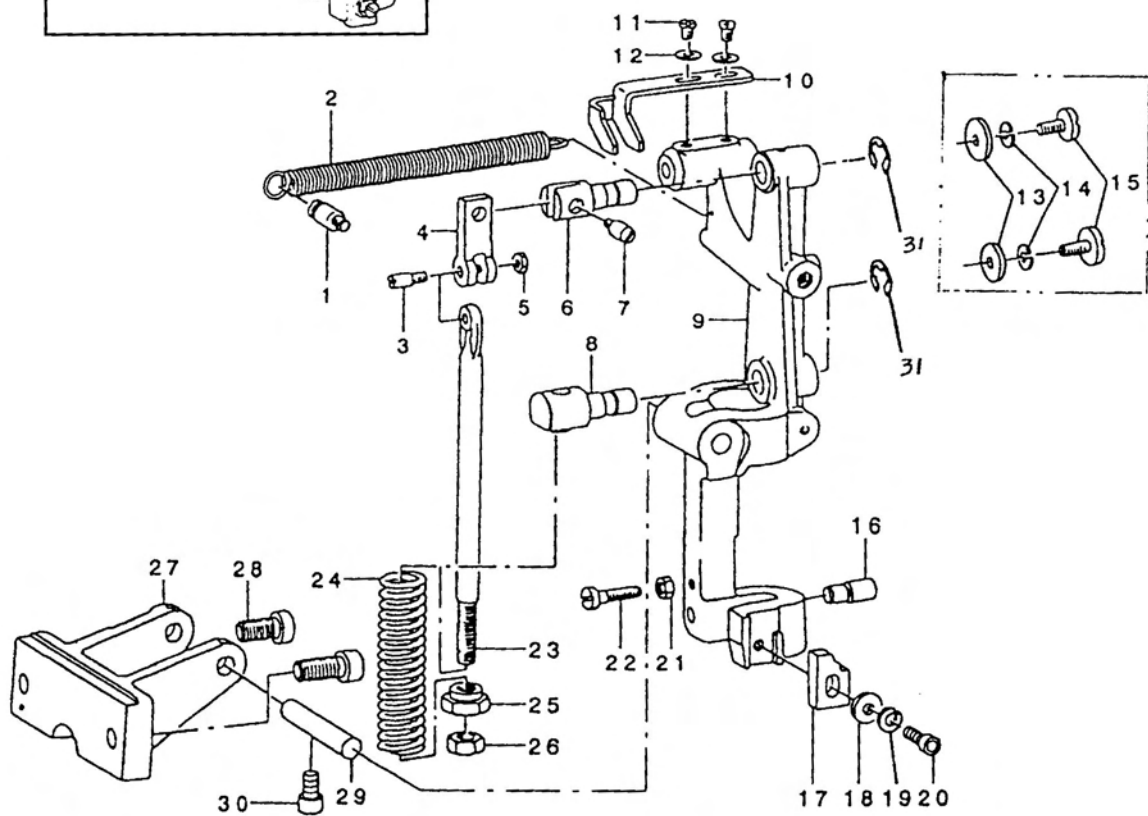
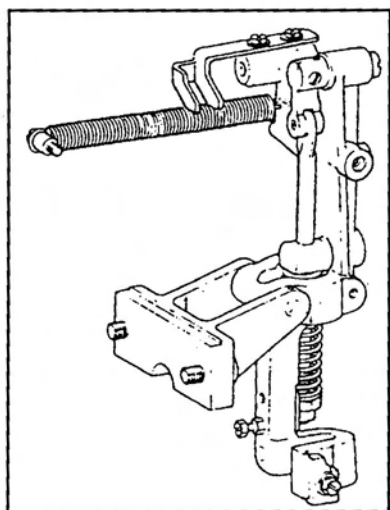
11、送布凸轮及离合器部件



11. 送布凸轮及离合器部件

序号	零件名称	制造件号 (标准件规格)	数量	序号	零件名称	制造件号 (标准件规格)	数量
1	针数变换齿轮	CCF780-11128-000	1	27	螺钉 1/4-40,L=6	CCF780-10331-TP	2
2	针数变换齿轮座	CCF780-11101-OAO	2	28	螺母 M12×1.25	CCF780-11132-000	1
3	针数变换齿轮定位销	CCF780-11102-000	4	39	送料凸轮止推垫圈	CCF780-11121-000	1
4	螺钉	CCF780-11103-TP	4	30	送料凸轮轴	CCF780-11122-000-A	1
5	离合紧圈	CCF780-11104-OAO	2	31	送料凸轮	CCF780-11123-OOC	1
6	螺钉 1/4-40,L=6	CCF780-10331-TP	2	32	垫圈	CCF780-11124-SP	1
7	螺钉 1/4-40,L=4.2	CCF780-11105-SP	2	33	螺钉 3/8-18,L=15	CCF780-11125-CP	1
8	离合弹簧	CCF780-11106-000	2	34	加固离合块	CCF780-11126-000	1
9	送料凸轮传动蜗轮	CCF780-11107-000	1				
10	传动蜗轮轴	CCF780-11108-000-A	1	36	垫圈	CCF780-11002-SP	14
11	油毡	CCF780-11109-000	1	37	螺钉 11/64-40,L=16	CCF780-11128-SP	10
12	送料凸轮传动轴	CCF780-11110-000	1	38	切刀离合块	CCF780-11129-000	1
13	针数变换齿轮	CCF780-12127-000	1	39	加固松线离合块	CCF780-11130-000	1
14	手动送料伞齿轮(下)	CCF780-11111-000	1	40	停车松线离合块	CCF780-11131-000	1
15	手动送料伞齿轮(上)	CCF780-11112-AAO	1				
16	螺钉 1/4-40,L=6	CCF780-10331-TP	2	42	加固离合块	CCF780-11126-000	1
17	挡圈	CCF780-11113-SH	1				
18	螺钉 1/4-40,L=4.5	CCF780-10333-TP	2	44	低速凸轮块	CCF780-11134-000	1
19	手动送料曲柄轴	CCF780-11114-000	1	45	止动凸轮块	CCF780-11135-000	1
20	手动送料曲柄	CCF780-11115-000	1	46	螺钉 11/64-40,L=14	CCF780-10127-SP	4
22	螺钉 15/64-28,1=4.7	CCF780-11116-TP	2				
23	螺钉 3/16-32,1=6	CCF780-11117-SP	1				
24	手动送料手柄	CCF780-11118-000	1				
25	手动送料手柄轴	CCF780-11119-000-A	1				
26	送料凸轮传动齿轮	CCF780-11120-OAO	1				

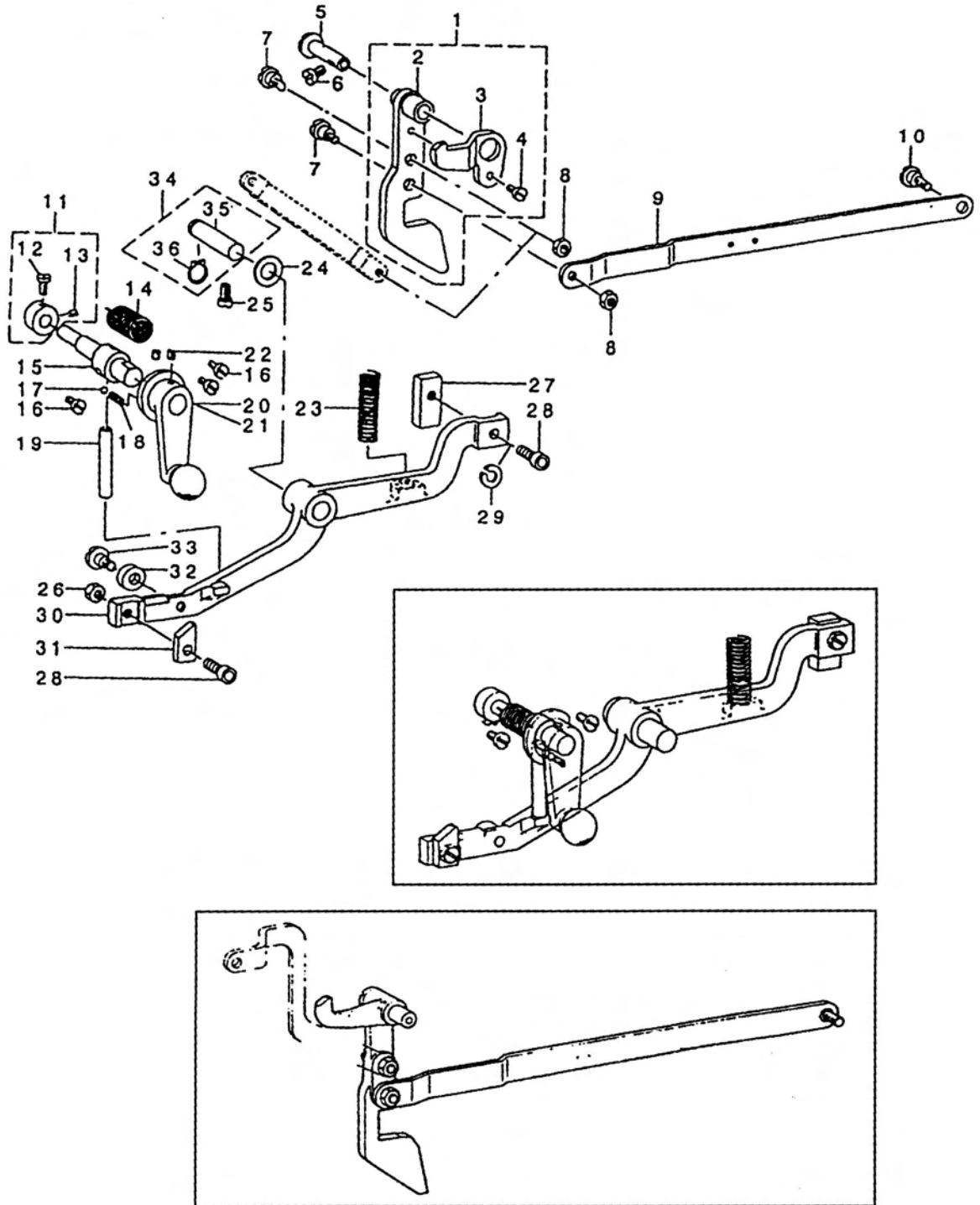
12、止动部件



12. 止动部件

序号	零件名称	制造件号 (标准件规格)	数量	序号	零件名称	制造件号 (标准件规格)	数量
1	拉簧悬挂螺钉	CCF780-11201-000	1	17	止动分档块	CCF780-11215-000	1
2	拉簧	CCF780-11202-000	1	18	垫圈 6.1×15.2×2.5	GB97-76	1
3	止动连杆铰链销螺钉	CCF780-11203-000	1	19	弹簧垫圈 6	GB93-76	1
4	止动铰接板	CCF780-11204-000	1	20	圆柱内六角螺钉 6×20	GB70-76	1
5	螺母 3/16-32	CCF780-11205-SP	1	21	螺母 15/64-28	CCF780-11217-SP	1
6	止动连杆上接头	CCF780-11206-000	1	22	螺钉 15/64-28,L=30	CCF780-11218-SP	1
7	止动铰接板连接螺钉	CCF780-11207-000	1	23	止动缓冲连杆	CCF780-11219-000	1
8	止动连杆下接头	CCF780-11208-00A	1	24	止动缓冲连杆压簧	CCF780-11220-000	1
9	止动连杆	CCF780-11209-000-B	1	25	压簧调节螺母	CCF78-11221-000	1
10	上轴皮带拨叉	CCF780-11210-000	1	26	压簧锁紧螺母	CCF780-11222-SP	1
11	螺钉 15/64-28,L=7	CCF780-10808-SP	2	27	止动连杆座	CCF780-11223-000-A	1
12	垫圈 6.5×13×0.8	CCF780-11211-SD	2	28	圆柱内六角螺钉 10×20	GB70-76	2
13	垫圈 6.1×18.5×2	CCF780-11212-SD	2	29	止动连杆销	CCF780-11224-000	1
14	弹簧垫圈 6	GB93-76	2	30	圆柱内六角螺钉 6×16	GB70-76	1
15	螺钉 15/64-28,L=13	CCF780-11213-SP	2	31	轴用挡圈∅11	GB894-76	
16	起动顶杆	CCF780-11214-000	1				

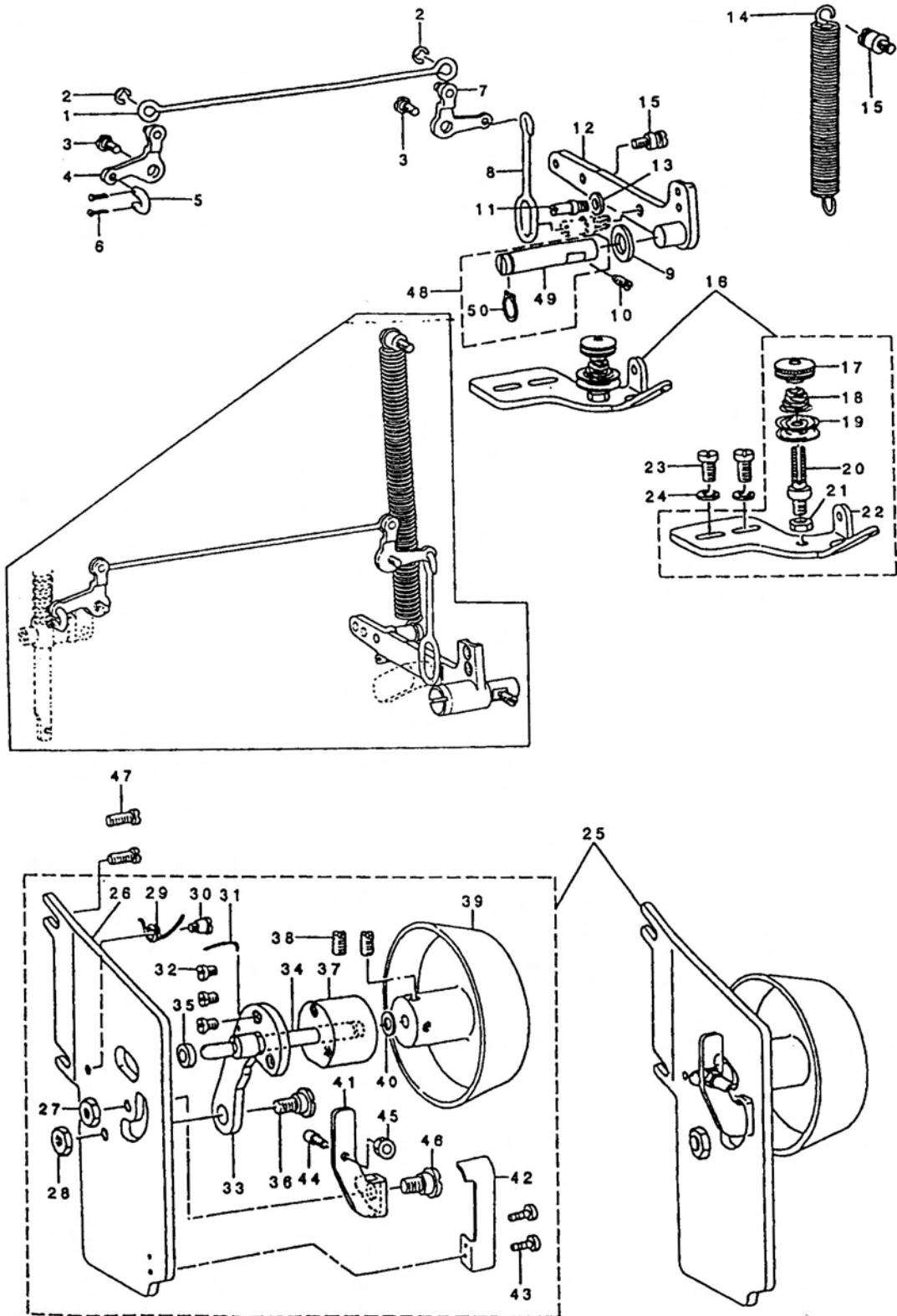
13、运转脱离部件



13. 运转脱离部件

序号	零件名称	制造件号 (标准件规格)	数量	序号	零件名称	制造件号 (标准件规格)	数量
1	起动架组件	CCF780-11301-OBO-A	1	19	手制动顶轴	CCF780-11311-OOB	1
2	起动架	CCF780-11301-OAO-A	1	20	手柄	CCF780-11312-OAO	1
3	安全钩	CCF780-11302-OOO	1				
4	螺钉 11/64-40,L=7	CCF780-10140-SP	1	22	螺钉 15/64-8,L=4.7	CCF780-11116-TP	2
5	起动架组件铰链销	CCF780-10940-OOO	1	23	运转脱离杆压簧	CCF780-11313-OOO	1
6	螺钉 15/64-28,L=9	CCF780-10721-SP	1	24	垫圈	CCF780-11314-OOO	1
7	偏心铰链销螺钉	CCF780-11304-OOO	2	25	螺钉 15/64-28,L=9	CCF780-10721-SP	1
8	螺母 15/64-28	CCF780-10544-SP	2	26	螺母 M6	GB/T6170-1986	1
9	起动架拉杆	CCF780-11305-OOO	1	27	锁定板	CCF780-11315-OOO-A	1
10	铰链销螺钉	CCF780-11306-SP	1	28	圆柱内六角螺钉 6×20	GB70-76	1
11	手制动曲柄轴挡圈	CCF780-11307-SH	1	29	弹簧垫圈	GB93-76	1
12	螺钉 11/64-40,L=7	CCF780-10140-SP	1	30	运转脱离杆	CCF780-11317-OOO-A	1
13	螺钉 11/64-40,L=5	CCF780-10111-SP	1	31	脱离爪	CCF780-11318-OOO	1
14	曲柄轴转矩弹簧	CCF780-11308-OOO	1	32	滚轮	CCF780-11319-OOO	1
15	手制动曲柄轴	CCF780-11309-OOO	1	33	滚轮铰链销螺钉	CCF780-11320-SP	1
16	螺钉 11/64-40,L=9.5	CCF780-10536-SP	2	34	铰链销组件	CCF780-11321-OAO	1
17	钢球 4	GB308-77	1	35	运转脱离杆铰链销	CCF780-11322-OOO	1
18	曲柄压簧	CCF780-11310-OOO	1	36	轴用弹性挡圈∅11	GB894-76	1

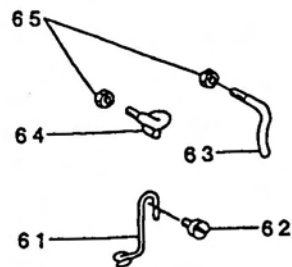
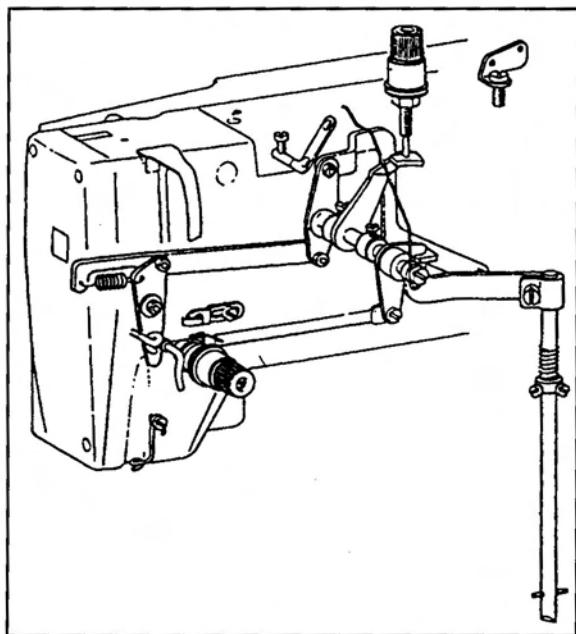
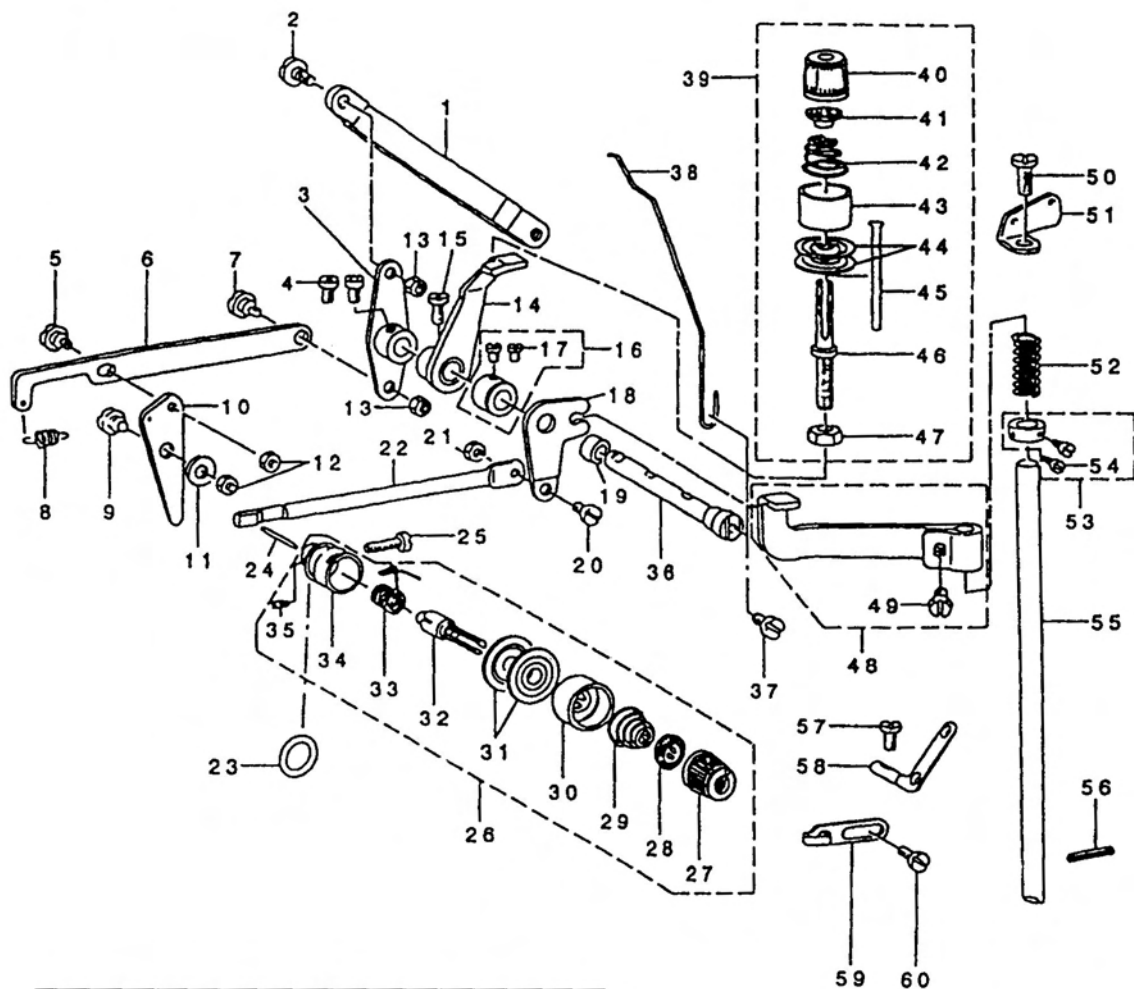
14. 压脚提升架和绕线器部件



14. 压脚提升架和绕线器部件

序号	零件名称	制造件号 (标准件规格)	数量	序号	零件名称	制造件号 (标准件规格)	数量
1	压脚提升长拉杆	CCF780-11401-000	1	26	绕线器板	CCF780-11420-000	1
2	开口挡圈 5	GB896-76	2	27	螺母 11/64-40	CCF780-10211-SP	1
3	杠杆铰链销螺钉	CCF780-11402-SP	2	28	螺母 15/64-28	CCF780-10544-SP	1
4	压脚提升前杠杆组件	CCF780-11403-OAO	1	29	满线跳板簧	CCF780-11421-000	1
5	前杠杆连接环	CCF780-11404-000	1	30	跳板簧铰链销螺钉	CCF780-11422-SP	1
6	开口销 2×10	GB91-76	2	31	梭心固定簧	CCF780-11423-000	1
7	压脚提升后杠杆组件	CCF780-11405-OAO	1	32	螺钉 9/64-40,L=6	CCF780-11424-SP	3
8	压脚提升拉杆	CCF780-11406-000	1	33	绕线器轴轴座	CCF780-11425-000	1
9	垫圈	CCF780-11314-000	1	34	绕线器轴	CCF780-11426-000	1
10	螺钉 15/64-28,L=10.5	CCF780-10302-SP	1	35	梭心固定簧套	CCF780-11427-000	1
11	压棒提升限位螺钉	CCF780-11407-000	1	36	绕线器轴轴座铰链销螺钉	CCF780-11428-TP	1
12	压棒提升杆	CCF780-11408-OAO	1	37	绕线器轴轴套	CCF780-11429-000	1
13	垫圈	CCF780-11409-SP	1	38	螺钉 3/16-28,L=7	CCF780-11430-SP	2
14	压脚提升拉杆簧	CCF780-11410-000	1	39	绕线器传动带轮	CCF780-11431-000	1
15	拉簧悬挂螺钉	CCF780-11201-000	1	40	垫圈 6.5×11×1	CCF780-11432-SD	1
16	绕线器过线组件	CCF780-11412-000	1	41	满线跳板	CCF780-11433-000	1
17	夹线螺母	CCF780-11413-000	1	42	满线跳板弹簧板	CCF780-11434-000	1
18	绕梭心线夹线弹簧	CCF780-11414-000	1	43	螺钉 9/64-40,L=4.5	CCF780-10628-SP	2
19	夹线盘	CCF780-11415-000	2	44	绕线量调节螺钉	CCF780-11435-000	1
20	绕梭心线过线螺钉	CCF780-11416-000	1	45	绕线量调节螺母	CCF780-10835-SP	1
21	螺母 11/64-40	CCF780-10211-SP	1	46	满线跳板铰链销螺钉	CCF780-11437-SP	1
22	绕梭心线过线架	CCF780-11417-000	1	47	螺钉 11/64-28-40,L=7.8	CCF780-10516-SP	2
23	螺钉 11/64-28-40,L=7.8	CCF780-10516-SP	2	48	离合杆铰链销组件	CCF780-11321-OAO	1
24	垫圈 4.8×11.5×2	CCF780-11418-SD	2	49	离合杆铰链销	CCF780-11322-000	1
25	绕线器组件	CCF780-11419-OAO	1	50	轴用弹性挡圈∅11	GB894-76	1

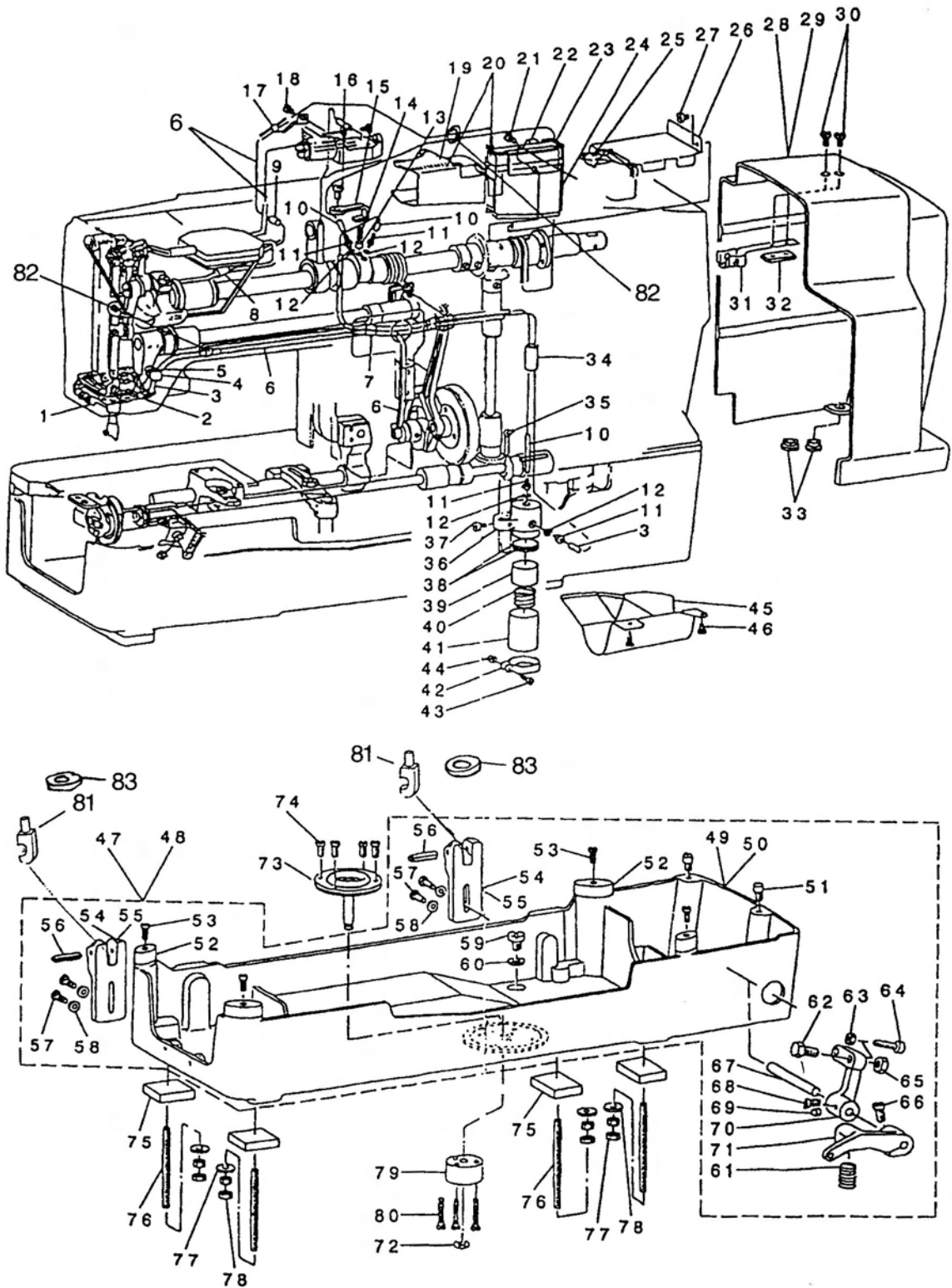
15、夹线器部件



15. 夹线器部件

序号	零件名称	制造件号 (标准件规格)	数量	序号	零件名称	制造件号 (标准件规格)	数量
1	松线拉杆	CCF780-11501-000	1	34	过线螺钉座	CCF780-11527-000	1
2	铰链销螺钉	CCF780-11502-TP	1	35	螺钉 9/64-40,L=5.5	CCF780-11528-SP	1
3	松线杠杆	CCF780-11503-000	1	36	加固松线杆曲柄轴	CCF780-11529-000	1
4	螺钉 1/4-40,L=7	CCF780-10414-TP	2	37	螺钉 11/64-40,L=7.8	CCF780-11516-SP	1
5	安全推杆轴拉螺钉	CCF780-11504-TP	1	38	拔线钢丝	CCF780-11530-000	1
6	安全推杆	CCF780-11505-000	1	39	夹线控制器 1号组件	CCF780-11531-OAO	1
7	铰链销螺钉	CCF780-11502-TP	1	40	夹线螺母	CCF780-11520-000	1
8	安钱推杆拉簧	CCF780-11507-000	1	41	夹线螺母定位板	CCF780-11521-000	1
9	轴拉螺钉	CCF780-11508-TP	1	42	压线弹簧	CCF780-11532-000	1
10	安全拔杆	CCF780-11509-000	1	43	管状夹线板压夹线盘	CCF780-11523-000	1
11	安全拔杆垫圈	CCF780-11510-000	1	44	夹线盘	CCF780-11524-000	2
12	螺母 11/64-40	CCF780-10211-SP	2	45	松线销	CCF780-11533-000	1
13	螺母 3/16-28	CCF780-10928-SP	2	46	面线第一过线钉	CCF780-11534-000	1
14	止动松线顶杆	CCF780-11511-000	1	47	螺母 1/4-24	CCF780-10613-SP	1
15	螺钉	CCF780-11512-SP	1	48	松线臂	CCF780-11535-OAO	1
16	加固松线杆曲柄紧圈	CCF780-11307-SH	1	49	螺钉 1/4-40,L=8.5	CCF780-11536-TP	1
17	螺钉 11/64-40,L=7	CCF780-11140-SP	2	50	螺钉 15/64-28,L=12	CCF780-10610-SP	1
18	加固松线杆曲柄	CCF780-11514-OOA	1	51	导线板	CCF780-11537-000	1
19	松线杆曲柄轴轴套	CCF780-11515-OOB	1	52	松线顶杆复位弹簧	CCF780-11538-000	1
20	松线杆铰链销螺钉	CCF780-11516-SP	1	53	止推紧圈	CCF780-11539-TH	1
21	螺母 9/64-40	CCF780-10406-SP	1	54	螺钉 9/64-40,L=4.5	CCF780-10628-SP	2
22	加固松线杆	CCF780-11517-000	1	55	松线顶杆	CCF780-11540-000	1
23	O型密封圈 14×1.9	GB1235-76	1	56	弹性圆柱销 3×20	GB879-76	1
24	松线钉	CCF780-11518-DOO	1	57	螺钉 11/64-40,L=7	CCF780-11140-SP	1
25	螺钉 11/64-40,L=16	CCF780-11128-SP	1	58	二眼线钩	CCF780-11541-000	1
26	夹线控制器 2号组件	CCF780-11519-OAO	1	59	右线钩	CCF780-11542-000	1
27	夹线螺母	CCF780-11520-000	1	60	螺钉 9/64-40,L=6.8	CCF780-10512-SP	1
28	夹线螺母定位板	CCF780-11521-000	1	61	针杆过线钩	CCF780-11543-000	1
29	压线弹簧	CCF780-11522-000	1	62	螺钉 11/64-40,L=7.8	CCF780-10516-SP	1
30	管状夹线板压板	CCF780-11523-000	1	63	紧线钩	CCF780-11544-000	1
31	夹线盘	CCF780-11524-000	2	64	挑线过线钩	CCF780-11545-000	1
32	面线第二过线螺钉	CCF780-11525-000	1	65	螺母 9/64-40	CCF780-10406-SP	2
33	挑线弹簧	CCF780-11526-000	1				

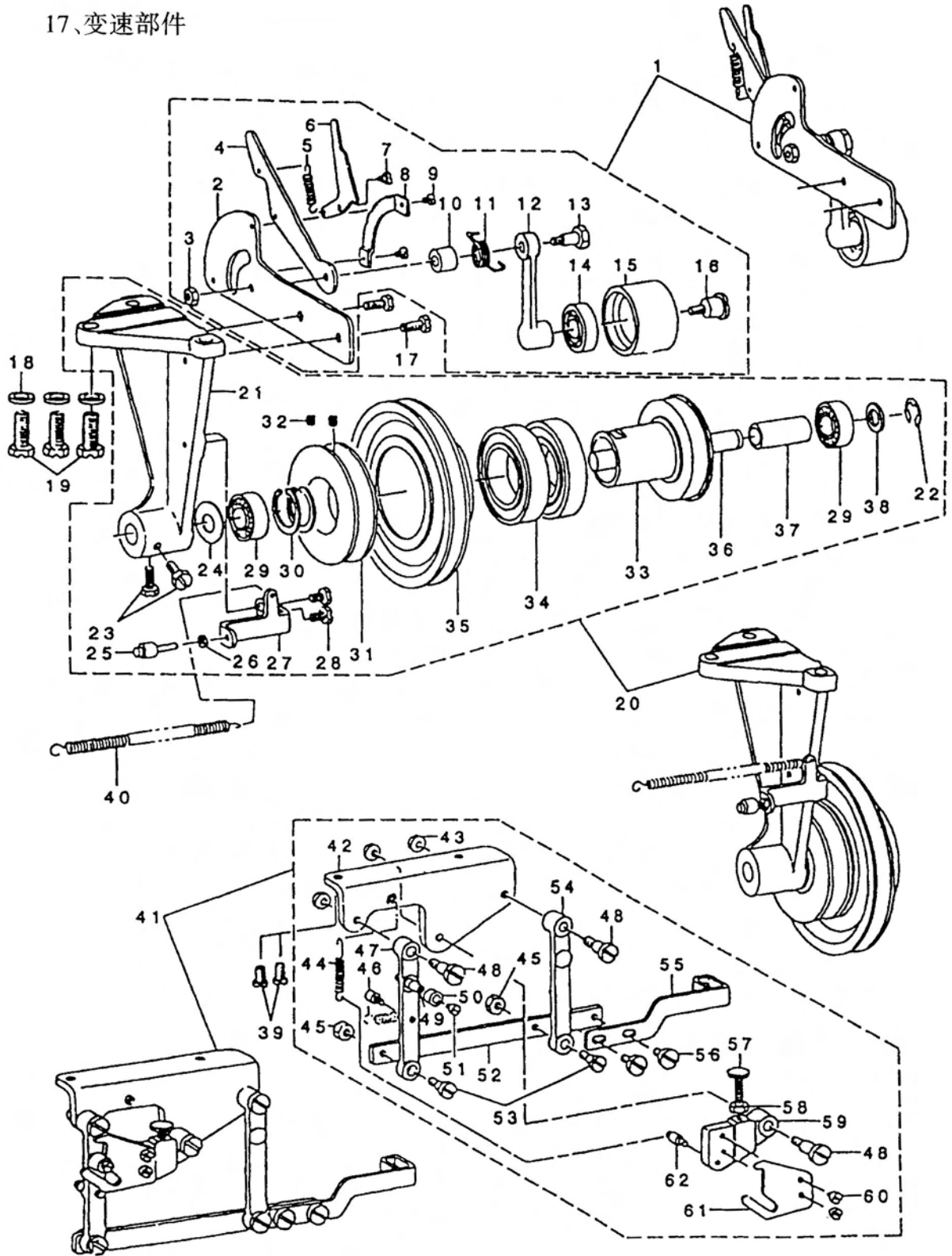
16、润滑机构部件



16. 润滑机构部件

序号	零件名称	制造件号 (标准件规格)	数量	序号	零件名称	制造件号 (标准件规格)	数量
1	回油毡压板	CCF780-11601-000	1	43	螺钉 9/64-40,L=8.5	CCF780-10631-SP	1
2	回油毡	CCF780-11602-000	1	44	螺母 9/64-40	CCF780-10406-SP	1
3	回油管	CCF780-11603-000	1	45	油罩	CCF780-11635-000-A	1
4	油管压板	CCF780-11604-BOO-A	1	46	螺钉 11/64-40,L=5	CCF780-10158-SP	2
5	螺钉 1/64-40,K=7	CCF780-10140-SP	1	47	底座组件	CCF780-11636-OAO-A	1
6	回油毡	CCF780-11605-000	3				
7	油管导架	CCF780-11606-000	1	49	油池	CCF780-11637-000-A	1
8	套管 D=6	CCF780-11607-00	1				
9	套管 D=5	CCF780-11608-00	1	51	皮带罩定位螺钉	CCF780-11638-000	2
10	油管	CCF780-11609-00	1	52	机头橡胶座垫	CCF780-11639-000	4
11	油管连接螺钉	CCF780-11610-HZ	4	53	螺钉 11/64-40,L=10.5	CCF780-10338-SP	4
12	衬垫	CCF780-11611-000	4	54	机头铰链座	CCF780-11640-000	2
13	柱塞	CCF780-11612-000	1				
14	柱塞弹簧	CCF780-11613-000	1	56	弹性圆柱销	GB879-76	2
15	柱塞弹簧压板	CCF780-11614-000	1	57	圆柱内六角螺钉 6×20	GB70-76	4
16	螺钉 15/64-28,L=7	CCF780-10808-SP	1	58	垫圈 M6	GB93-76	4
17	油毡导架	CCF780-11615-000	1	59	螺钉	CCF780-11643-SP	1
18	螺钉 1/64-40,L=7	CCF780-10140-SP	1	60	密封垫	CCF780-11644-000	1
19	油毡	CCF780-11616-000	1	61	起动杠杆压簧	CCF780-11645-000	1
20	盛油架组件	CCF780-11617-OAO	1	62	调节螺钉 M8	CCF780-10733-000	1
21	螺钉 11/64-40,L=5	CCF780-10158-SP	1	63	螺钉 15/64-28	CCF780-10544-SP	1
22	油毡	CCF780-11618-000	1	64	起动架限位螺钉	CCF780-11646-OAO	1
23	油毡	CCF780-11619-000	1	65	螺母 M8	GB/T6175-1986	1
24	油毡	CCF780-11620-000	1	66	螺钉 15/64-28,L=12	CCF780-10610-SP	1
				67	起动架轴	CCF780-11647-000	1
				68	起动架定位螺钉	CCF780-11648-SP	1
				69	螺钉 15/64-28,L=7	CCF780-10323-SP	1
28	皮带罩	CCF780-11623-000	1	70	起动架	CCF780-11649-000-A	1
				71	起动杠杆	CCF780-11650-000	1
30	螺钉 11/64-40,L=8.5	CCF780-11624-SP	2	72	挡圈 6	GB896-76	1
31	皮带罩安装夹	CCF780-11625-000	1	73	拨叉传动销	CCF780-11652-OAO	1
32	底部导板	CCF780-11626-000	1	74	螺钉 11/64-40,L=8.5	CCF780-11624-SP	4
33	橡胶轴套	CCF780-11627-000	2	75	底座毡垫	CCF780-11653-000	4
34	套管	CCF780-11657-00	1	76	底座螺栓	CCF780-11654-000	4
35	油芯	CCF780-11628-00	1	77	垫圈 6.1×18.5×2	CCF780-11655-SD	4
36	油泵底座	CCF780-11629-000	1	78	螺母 15/64-28	CCF780-10544-SP	4
37	螺钉 11/64-40,L=8.5	CCF780-11624-SP	1	79	传动销座	CCF780-11651-000	1
38	过滤毡	CCF780-11630-000	2	80	螺钉 11/64-40,L=21	CCF780-11656-SP	3
39	油毡	CCF780-11631-000	1	81	连接销	CCF780-11658-000	2
40	弹簧	CCF780-11632-000	1	82	套管	CCF780-11659-00	1
41	过滤网	CCF780-11633-000	1	83	橡胶垫圈	CCF780-11660-000	2
42	过滤网紧定圈	CCF780-11634-000	1				

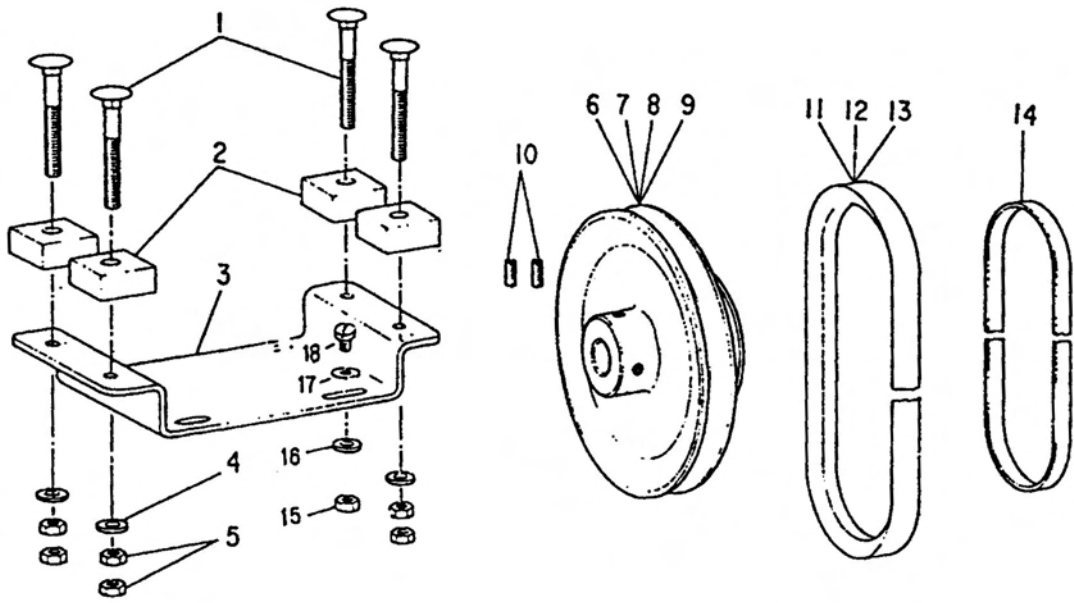
17、变速部件



17. 变速部件

序号	零件名称	制造件号 (标准件规格)	数量	序号	零件名称	制造件号 (标准件规格)	数量
1	皮带张紧轮组件	CCF780-11701-OAO	1	32	螺钉 15/64-28,L=7	CCF780-10323-SP	2
2	皮带张紧轮座	CCF780-11701-OOO	1	33	高速带轮	CCF780-11721-OOO	1
3	螺母 15/64-28	CCF780-10544-SP	1	34	轴承 60109	GB/T278-1986	2
4	张紧杆	CCF780-11702-OOO	1	35	低速带轮	CCF780-11722-OOO-A	1
5	定位爪拉簧	CCF780-11703-OOO-A	1	36	变速轴	CCF780-11723-OOO-A	1
6	皮带张紧轮定位爪	CCF780-11704-OOO	1	37	隔套	CCF780-11724-OOO	1
7	铰链销螺钉	CCF780-11705-SP	1	38	垫圈	CCF780-11725-SC	1
8	皮带张紧轮定位板	CCF780-11706-OOO	1	39	螺钉 15/64-28,L=12	CCF780-10610-SP	2
9	螺钉 11/64-40,L=7	CCF780-10140-SP	2	40	变速拨叉拉簧	CCF780-11726-OOO	1
10	隔套	CCF780-11707-OOO	1	41	变速拨叉组件	CCF780-11727-OAO	1
11	转矩弹簧	CCF780-11708-OOO	1	42	拨叉底座	CCF780-11728-OOO	1
12	皮带张紧轮连杆	CCF780-11709-OOO	1	43	螺母 15/64-28	CCF780-10544	3
13	铰链销螺钉	CCF780-11710-SP	1	44	拨叉凸轮拉簧	CCF780-117-SP	1
14	轴承 80202	GB/T278-1986	1	45	螺母 1/4-24	CCF780-10613-SP	2
15	皮带张紧轮	CCF780-11712-OOO	1	46	弹簧悬挂螺钉	CCF780-11730-OOO	1
16	皮带张紧轮轴位螺钉	CCF780-11713-SP	1	47	拨叉传动臂	CCF780-11731-OOO	1
17	螺钉 M6,L=12	GB70-76	2	48	铰链销螺钉	CCF780-11732-OOO	3
18	垫圈	GB848-76	3	49	滚轮销	CCF780-11733-OOO	1
19	螺钉 15/64-28,L=20.5	CCF780-11715-CP	3	50	滚子	CCF780-11734-OOO	1
20	变速皮带组件	CCF780-11716-OAO-B	1	51	螺钉 1/8-44,L=6	CCF780-10827-SP	1
21	变速皮带轮座	CCF780-11716-OOO-A	1	52	拨叉按装板	CCF780-11735-OOO	1
22	开口挡圈 12	GB896-76	1	53	铰链销螺钉	CCF780-11736-SP	2
23	螺钉 M6,L=12	GB70-76	2	54	拨叉连杆臂	CCF780-11737-OOO	1
24	增速带轮轴承垫圈	CCF780-11717-OOA	1	55	变速拨叉	CCF780-11738-OOO	1
25	起动架限位螺钉	CCF780-11646.1-OAO	1	56	螺钉 1/4-24,L=9.5	CCF780-11032-SP	2
26	螺母 15/64-28	CCF780-10544-SP	1	57	拨叉传动销限位螺钉	CCF780-11739-OOO	1
27	变速拨叉限位器支架	CCF780-11719-OOO	1	58	螺钉 15/64-28	CCF780-11217-SP	1
28	螺钉 M6,L=12	GB70-76	2	59	拨叉凸轮固定架	CCF780-11740-OOO	1
29	轴承 80202	GB/T278-1986	2	60	螺钉 11/64-40,L=8.5	CCF780-11624-SP	2
30	挡圈 35	GB/T893-1986	2	61	拨叉凸轮	CCF780-11741-OOO	1
31	增速带轮	CCF780-11720-OOO	1	62	悬挂螺钉	CCF780-11742-OOO	1

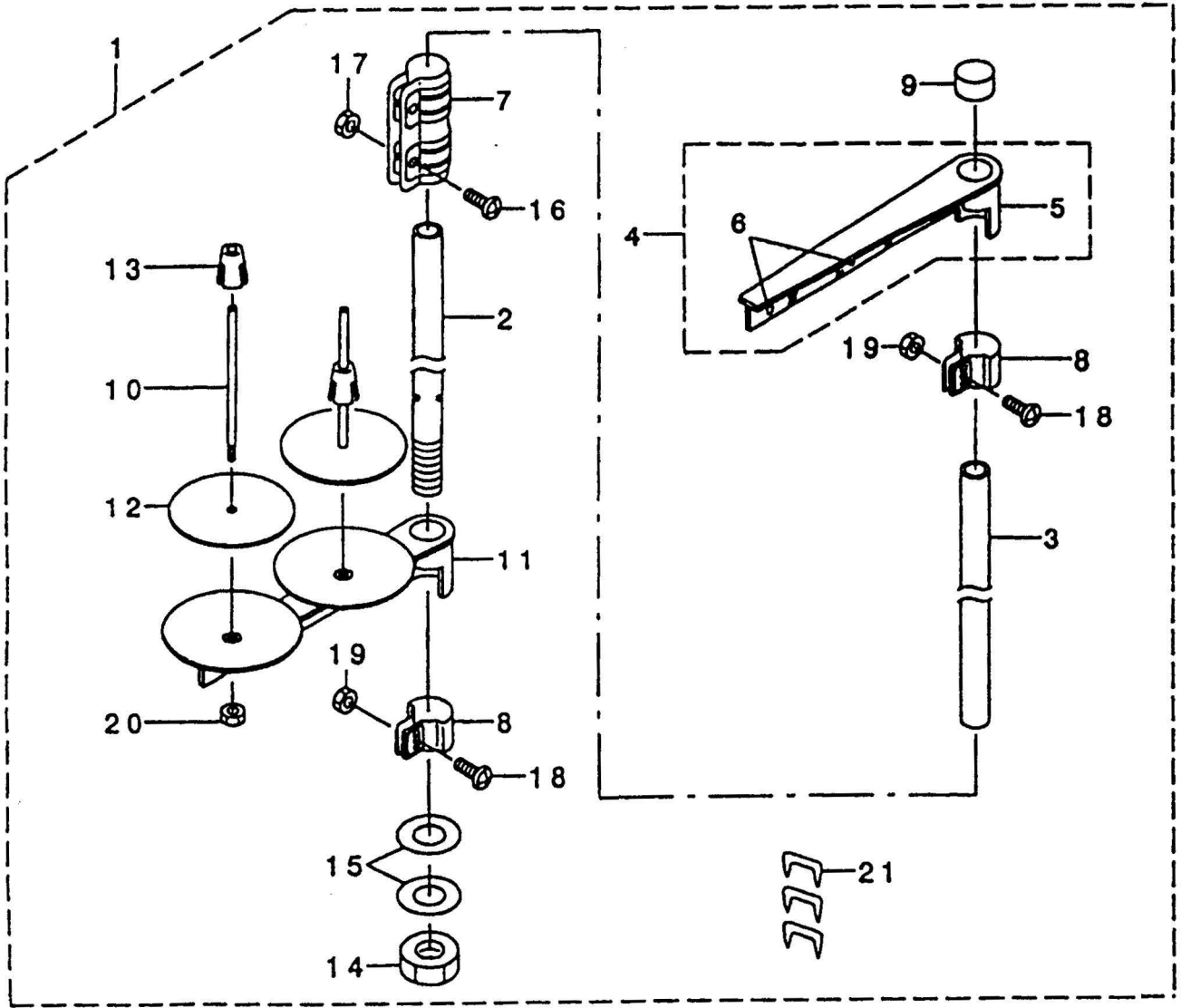
18、电机座部件



18. 电机座部件

序号	零件名称	制造件号 (标准件规格)	数量	序号	零件名称	制造件号 (标准件规格)	数量
1	长螺栓	CCF780-11801-SP	4	11	三角胶带 42#	GB1171-74	1
2	防振垫	CCF780-11802-000	4	12	三角胶带 43#	GB1171-74	1
3	电机座板	CCF780-11803-000	1				
4	垫圈 8	GB97-76	4	14	传动胶带 10×3×1110	GB524-74	1
5	螺母 M8	CCF780-11804-000	8	15	螺母 M6	GB41-76	4
6	电机带轮	CCF780-11805-000	1	16	弹簧垫圈 6	GB93-76	4
				17	垫圈 6	GB848-76	4
				18	螺栓 M6,L=25	GB30-76	4
10	螺钉 15/64-28.L=7	CCF780-10323-SP	2				

19、线团架部件



19. 线团架部件

序号	零件名称	制造件号 (标准件规格)	数量	序号	零件名称	制造件号 (标准件规格)	数量
1	线团架组件	CCF780-11901-000	1	11	线盘架	CCF780-11911-000	1
2	线架杆下节	CCF780-11902-000	1	12	线盘垫	CCF780-11912-000	2
3	线架杆上节	CCF780-11903-000	1	13	线芯架	CCF780-11913-000	2
4	线架过线杆组件	CCF780-11904-000	1	14	螺母(锌)M16×1.5	GB54-76	1
5	线架过线杆	CCF780-11905-000	1	15	垫圈(锌)16	GB97-76	2
6	过线圈	CCF780-11906-000	2	16	螺钉(锌)M5,L=14	GB67-76	2
7	线架杆接头夹	CCF780-11907-000-A	1	17	螺母(锌)M5	GB52-76	2
8	线架过线杆组件固定夹	CCF780-11908-000	2	18	螺钉(锌)M5,L=14	GB67-76	2
9	线架杆管塞	CCF-11909-000	1	19	螺母(锌)M5	GB52-76	2
10	线盘钉	CCF780-11910-000-A	2	20	螺母(锌)M5	GB52-76	2
				21	电线固定钉	CCF780-11915-000	3