

TABLE OF CONTENTS

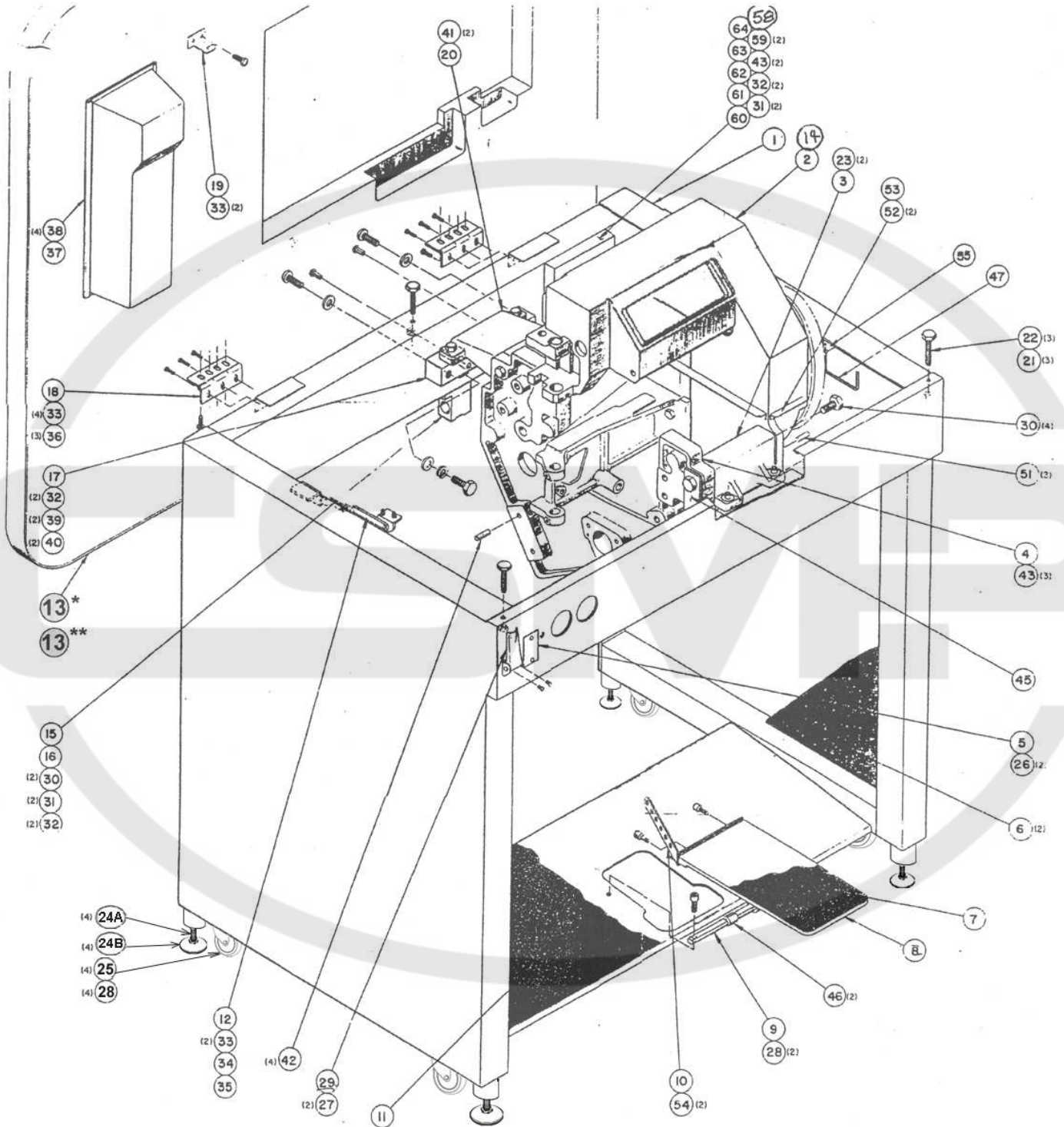
Main Frame Assembly	3-2
Cam and Gears	3-6
Upper Needle Bar Mechanism	3-8
Presser Foot Mechanism	3-10
Lower Needle Bar Mechanism	3-14
Lower Looper and Thread Drum Mechanism	3-16
Main Cam Shaft Assembly	3-20
Thread Gripper & Elevator Mechanism	3-22
Pick Stitch & Tension Finger	3-24
Tension Finger Assembly	3-28
Material Feed	3-30
Angle Stitch Mechanism	3-34
Upper Looper	3-36
Work Plate Assembly	3-40
Presser Foot & Swivel Toe Assembly	3-42
Presser Foot	3-44
ELECTRICAL - I	3-46
ELECTRICAL - II	3-48
ELECTRICAL - III	3-50
Accessories	3-52
Thread Trim	3-54
Foot Pedal	3-56
ELECTRICAL diagram	3-58

Revised 03/2005

e-mail: service@amfreece.cz; parts@amfreece.cz; website: www.amfreece.com

Phones: +420 582 309 146 (Service), +420 582 309 246 (Spare Parts) ; Fax: +420 582 360 606

MAIN FRAME ASSEMBLY



Revised 11/2005

e-mail: service@amfreece.cz; parts@amfreece.cz; website: www.amfreece.com

Phones: +420 582 309 146 (Service), +420 582 309 286 (Spare Parts) ; Fax: +420 582 360 606

MAIN FRAME ASSEMBLY

DET	PART NUMBER	DESCRIPTION	QTY
01	70.3532.8.074	Main Frame	1
02	41321019	Needle Bar Hd. Assembly	1
03	35371003	Front Spacer	1
04	35315013	Tie Frame	1
05	37711017	Name Plate	1
06	32711019	Sound Suppressor	2
07			
08			
09			
10			
11	32216086	Foot Plate Tread	1
12	41441060	Table Support	1
13*	70.3535.1.181	Table Top	1*
13**	35351180	Table Top	1**
15			
16	70.3325.1.107	Motor Holder	1
17	32418075	Machine Support, Rear	1
18	41214006	Hinge	2
19	70.3535.1.182	Hook	1
20	35472011	Spacer, Rear, Tie Frame	1
21	01200024	Screw #3/8 - 16x1	3
22	06020015	Nut, Hex.Jam # 3/8 -16	3
23	01000047	Scr., Hex. Soc. Hd. Cap # 5/16 - 18 x1	2
24A	12.0008.6.523	Screw M12	4
24B	12.0008.6.524	Leveling Pad	4
25	12.0008.6.520	Castor Wheels	4
26		Rivet	2
27		Scr., Rd.Hd. Mach. # 6 - 32 x 1/4	2
28	08.6000.0.025	Screw	4
29	22972010	Latch 'Camloc' # 51 L1-1- 1 AB -	1
30	04200003	Scr. Hex.Hd. # 3/8 - 16 x 1	6
31	07100009	Washer, Spring Lock # 3/8	4
32	07012003	Washer, Flat # 3/8	6
33	02060018	Scr. Pan Hd. (Type A) # 10 x 5/8	12
34	22911038	Scr., Asa Lock #1 A	1
35		Nut, Lock "ESNA"#21 NTE- 058-	1
36	04140040	Scr., Truss Hd. # 10 - 32 x 5/16	6
37	27571120	Drawer,Stl."Superior" # 333 Grey	1
38		Scr.. Fl.Hd. Wood # 8 x 3/4-	4
39	01200024	Scr. Hex .Soc .But.Hd.# 3/8 - 16 x 1	2
40	08200024	Spring Pin 1/4" x 1	2
41	04200027	Scr., Hex.Hd. # 5/16 - 18 x 1	2
42	08000019	Pin, Dowel # 1/4 x 1 1/4	4
43	04200004	Scr.Hex. Hd. # 3/8 - 16 x 1 1/2	5
44			
45	34416044	Bracket, Switch Mount	1
46			
47			
48			

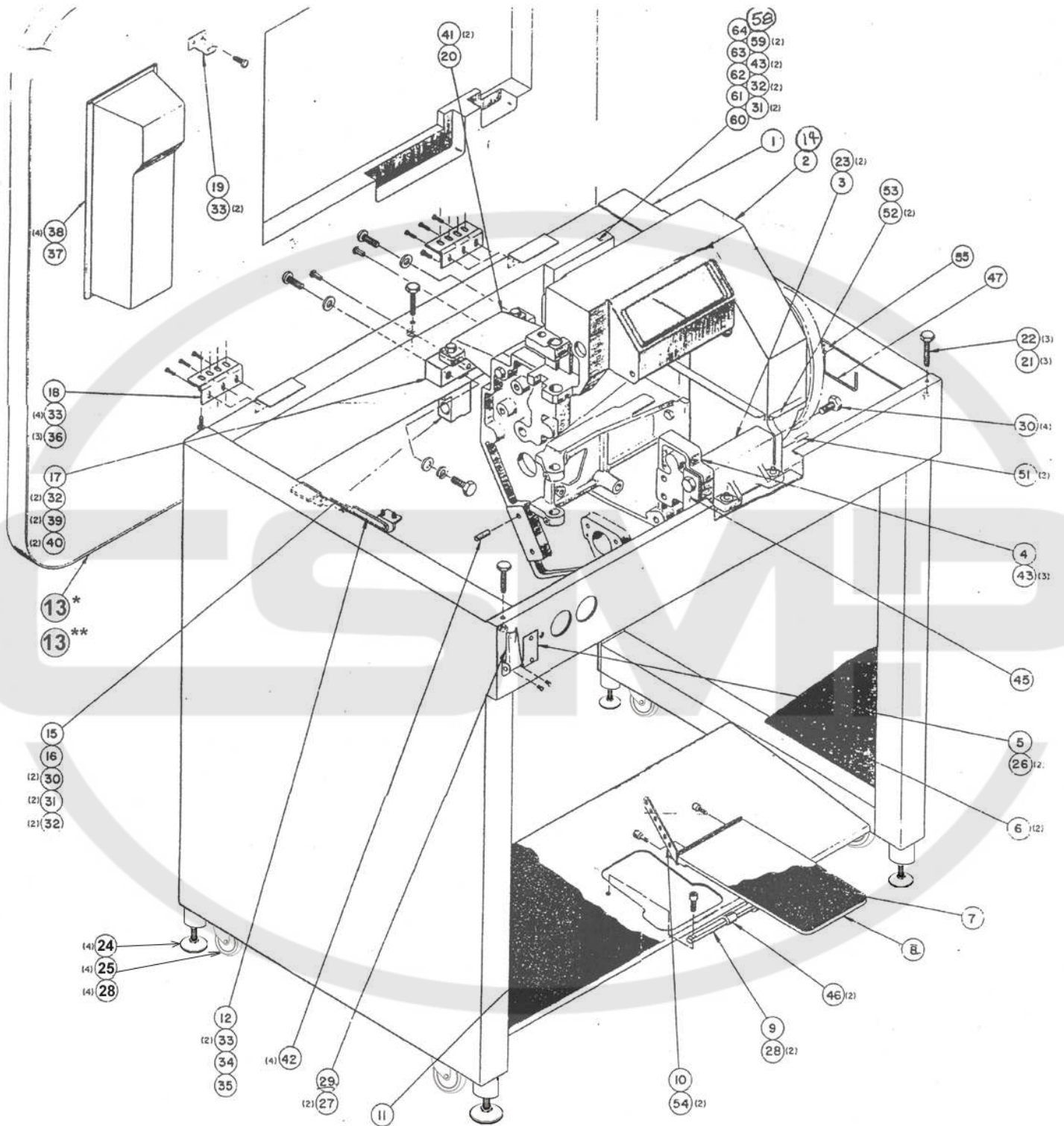
* — Modificatioin Standard
** — Modificatioin Pick Stitch

Revised 11/2005

e-mail: service@amfreece.cz; parts@amfreece.cz; website: www.amfreece.com

Phones: +420 582 309 146 (Service), +420 582 309 246 (Spare Parts) ; Fax: +420 582 360 606

MAIN FRAME ASSEMBLY



Revised 03/2005

e-mail: service@amfreece.cz; parts@amfreece.cz; website: www.amfreece.com

Phones: +420 582 309 146 (Service), +420 582 309 286 (Spare Parts) ; Fax: +420 582 360 606

MAIN FRAME ASSEMBLY

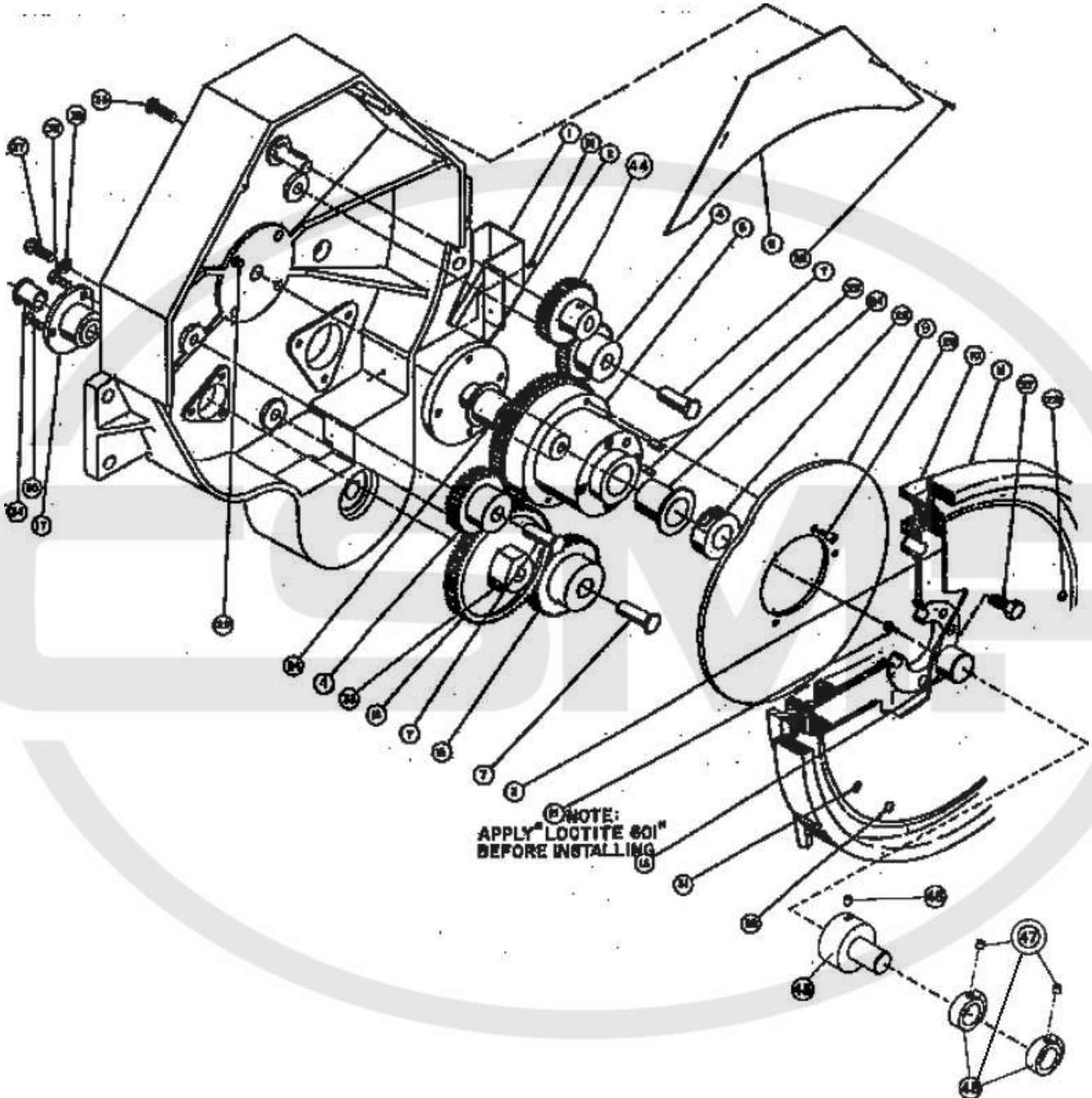
DET	PART NUMBER	DESCRIPTION	QTY
51		Pin , Dowel # 5/16 x 3/4	4
52	04100052	Scr. Bind. Hd.# 8 - 32 x 1/4	2
53	34268124	Angle, Filler	1
54			
55			
56			
57			
58	70.3162.5.003	Pulley assembly	1
59	06000014	Nut. Hex.# 3/8 -16	2
60	23522009	Counter Shaft Bearing	1
61			
62			
63	24323130	"V" Belt	1
64	24423030	Pulley, "V" Belt	1
65	35523026	Counter Shaft Bracket	1
66	70.3100.0.042	Facia Plate	1
67	70.3265.2.016	Cover	1
68	70.3532.8.073	Plate	1
69	12.0008.6.517	Caster	4
70	70.3165.2.002	Sensor Holder	1
71			
72	24473075	Pulley	1
73	24383030	Belt 285L075	1
74	12.8000.1.010	Label (DECO)	1
75	12.1016.0.001	Nail 2,6x6	2
76	70.3577.7.043	Cover Rear	1
77	70.3577.7.044	Cover Pulley	1
78			
79	08.6000.4.008	Screw	4
90	31852010	Alex Light Holder	1
100	70.3100.0.017	Frame Facia	1
101	31000030	Hook Facia Plate	1
102	31000031	Lock Facia Plate	1

Revised 03/2005

e-mail: service@amfreece.cz; parts@amfreece.cz; website: www.amfreece.com

Phones: +420 582 309 146 (Service), +420 582 309 246 (Spare Parts) ; Fax: +420 582 360 606

CAM AND GEARS



CAM AND GEARS

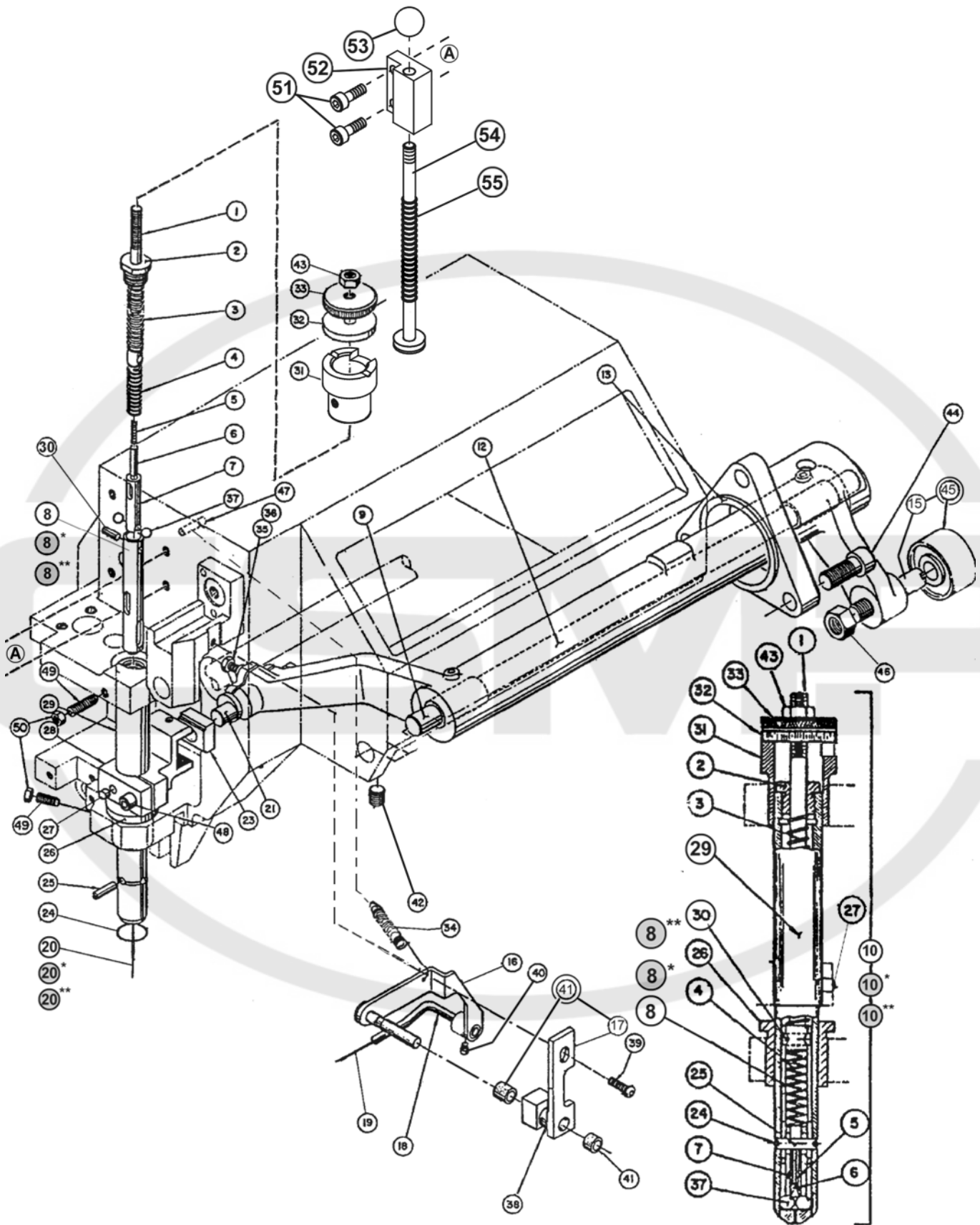
DET	PART NUMBER	DESCRIPTION	QTY
01	35812049	Cover, Rear Drum	1
02	31766009	Drive Gear Stud	1
03	31523037	Cover, Handwheel	1
04	36224010	Small Intermediate Gear	2
05	36228020	Drive Gear	1
06	32652015	Guard, Belt	1
07	31838030	Gear Stud	3
08			
09	70.3651.3.048	Left Upper Looper Cam	1
10	36516040	Needle Bar Cam	1
11	36713007	Needle Bar Hand Wheel	1
12			
13	31652001	Sensor Drive Shaft	1
14			
15	36226017	Large Intermediate Gear	1
16	36228009	Cam Shaft Drive Gear	1
17	36515032	Cam Shaft Bearing	1
18			
19			
20			
21	04100054	Scr. Binding # Hd. 8- 32 x 3/8	2
22	01200005	Scr. , Hex. Soc. But. Hd.# 8 - 32 x 3/8	2
23	08200031	Pin, Roll # 3/16 x 3/8	1
24	23161140	Bearing, "Oilite" # FF - 1213-4	2
25	24116150	Collar, Set SC 100 1" I.D	1
26	04200057	Scr. Hex. Soc. Cap # 10 - 32 x 1/2	1
27	04200003	Scr.,Hex.Hd.# 3/ 8 - 16 x 1	4
28	01200001	Scr. Hex. Soc. But. Hd. # 140- 32 x 1/2	2
29	01000099	Scr. Hex. Soc.Cap # 5/16 - 18 x 5/8	1
30			
31	01002040	Scr. Hex. Soc.Cap # 5/16 - 18 x 3/4	1
32			
33	03200023	Scr. Hex. Soc.Hd. Cup PT.# 1/4 - 20 x 1/2	1
34	23161063	Bushing, "Oilite" # FF - 707 - 2	1
35	04200013	Scr., Hex. Hd. # 1/4 - 20 x 5/8	1
36	04200012	Scr., Hex. Hd. # 1/4 - 20 x 1/2	1
37	04200267	Scr., Hex. Hd. # 3/8 - 24 x 1	1
38	01200083	Scr., But. Hex.Soc.# 3/8 - 24 x 1	1
39	07100009	Washer, Lock # 3/8	1
40	70.3165.2.003	Adaptor	1
41	19.0044.1.624	Ring Sensor	2
42	17.0011.2.013	Screw M6x0, 75 x 6	2
43	08.6400.4.008	Screw M4 - 8	1
44	36224009	Gear	1
45	70.3165.2.003	Adaptor	1
46	08.6400.4.006	Screw M4x6	1
47	17.0011.2.013	Screw	(2)
48	19.0044.1.629	Ring Sensor	2

Revised 11/2005

e-mail: service@amfreece.cz; parts@amfreece.cz; website: www.amfreece.com

Phones: +420 582 309 146 (Service), +420 582 309 246 (Spare Parts) ; Fax: +420 582 360 606

UPPER NEEDLE BAR MECHANISM



Revised 09/2005

e-mail: service@amfreece.cz; parts@amfreece.cz; website: www.amfreece.com

Phones: +420 582 309 146 (Service), +420 582 309 286 (Spare Parts) ; Fax: +420 582 360 606

UPPER NEEDLE BAR MECHANISM

DET	PART NUMBER	DESCRIPTION	QTY
01	31674025	Sleeve Extension	1
02	31695011	Needle bar Spring Cap	1
03	36532021	Needle Bar Spring	1
04	36532022	Needle Lock Spring	1
05	36531010	Needle Stop Spring	1
06	36771021	Needle Stop	1
07	31566008	Needle Clamp Sleeve	1
08	35511021	Needle Support Sleeve	1
08*	35511081	Needle Support Sleeve	1*
08**	35511048	Needle Support Sleeve	1**
09	31723007	Rocker Arm Pivot	1
10	42531081	Needle Bar Assembly	1
10*	70.4253.1.078	Needle Bar Assembly	1*
10**	70.4253.1.079	Needle Bar Assembly	1**
12	36691014	Needle Bar Rocker Arm	1
13	35521048	Rocker Arm Bearing	1
15	31773015	Rocker Arm Bearing Stud	1
16	36631031	Assembly- Threader Lever	1
17	33215069	Threader Bearing	1
18	31996006	Threader Arm	1
19	37213001	Threader Needle	1
20	00103238	Round Needle	1
20*	00103228	Round Needle	1*
20**	00103249	Round Needle	1**
21	36518030	Bearing Block Stud	1
23	33182005	Needle Bar Bearing Block	1
24	35131002	Pin Retainer	1
25	31264001	Stop Pin	1
26	36523022	Needle Bar Small Bush	1
27	31151001	(Locating Pin) = part of Assembly 33441003	1
28	33441003	Needle Bar Clamp Upper	1
29	31697003	Needle Bar	1
30	31111009	Sleeve Ext. Conn. Pin	1
31	70.3652.3.023	Large Bushing	1
32	31412001	Spring Plunger Washer	1
33	31593007	Sleeve Adjust.Nut	1
34	36546023	Spring , Threader	1
35	04200011	Scr.,Mach. Hex. Hd #10 - 32 x 5/8	1
36	07106002	Washer. Lock. Hi - Collar # 10	1
37	22965006	Ball. Stl." New Depart"# 11{64 Dia	2
38	24116020	Collar	1
39	01200007	Scr. Hex. Soc. But. Hd.# 10 - 32 x 3/8	1
40	01000298	Scr. Hex. Soc. Hd. Cap.# 5 - 40 x 1/8	1
41	23132030	Bushing Oilite #AA 309	(2)
42	03100008	Scr. Set Hex. Soc. Cap Pt.# 1/4 - 20 x 1/4	1
43	06002001	Nut. Hex. S. Stl. # 10 - 32	1
44	01000039	Scr. Hex. Soc. Hd. Cap # 5/16 - 18 x 3/4	3
45	23231030	Bearing , Ball	(1)
46	06104001	Locknut, " ESNA" 29 NTE - 54-	1
47	22913039	Pin Groove "Drive Loc"#1/4 x 1 (Type G)	1
48	01000013	Scr. Hex.Soc.Hd.Cap# 8 - 32 x 1/2	1
49	03130001	Scr., Hex. Soc. Cone Pt.. # 8 - 32 x 1/2	2
50	06020019	Nut. Jam Hex. # 8 - 32	2
51	08.6000.4.012	Screw	2
52	70.3652.3.026	Block	1
53	12.0008.6.979	Ball	1
54	70.3652.3.025	Bar	1
55	12.3010.0.014	Spring	1

* — Extra Parts

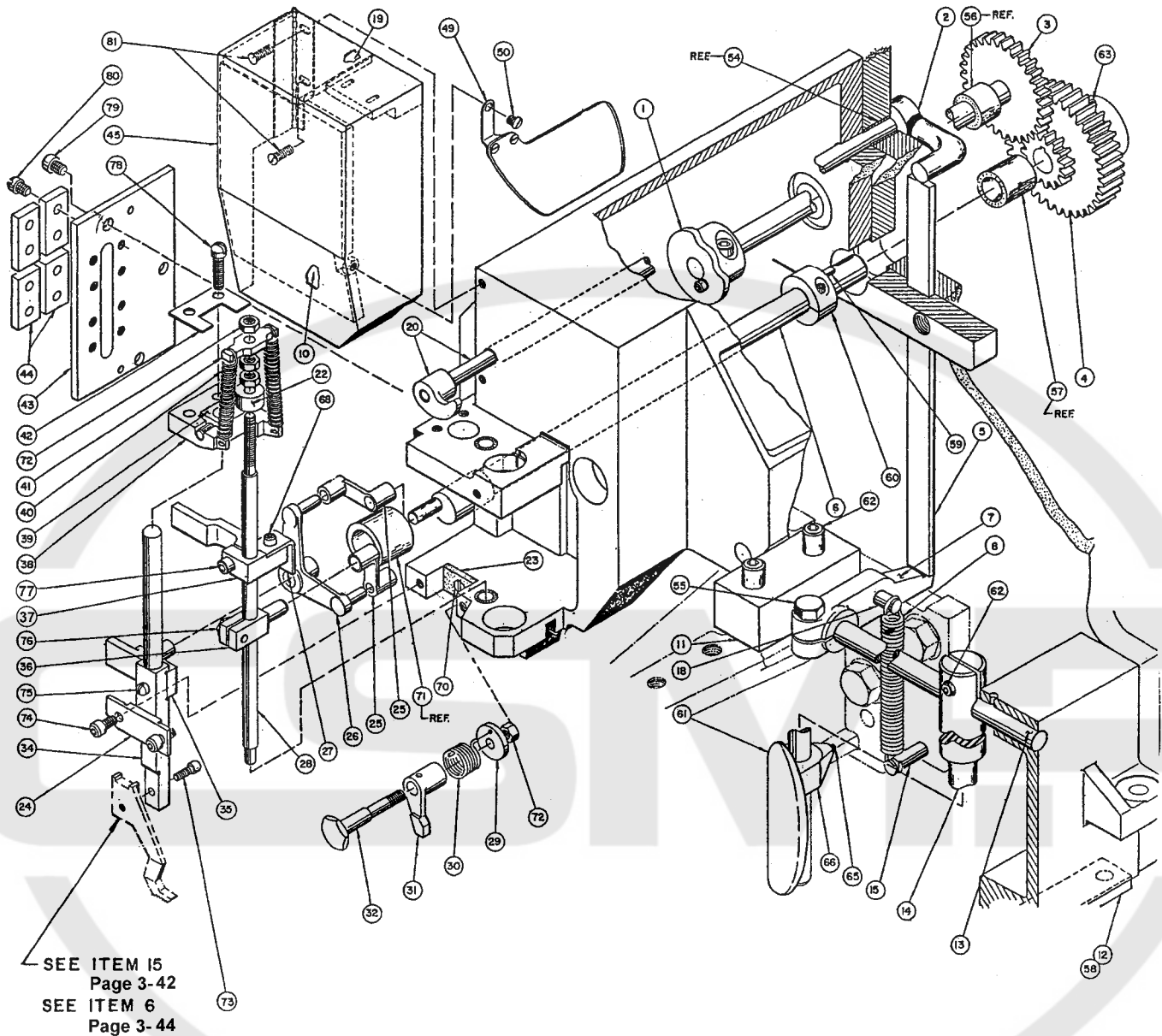
** — Extra Parts

Revised 09/2005

e-mail: service@amfreece.cz; parts@amfreece.cz; website: www.amfreece.com

Phones: +420 582 309 146 (Service), +420 582 309 246 (Spare Parts) ; Fax: +420 582 360 606

PRESSER FOOT MECHANISM



PRESSER FOOT MECHANISM

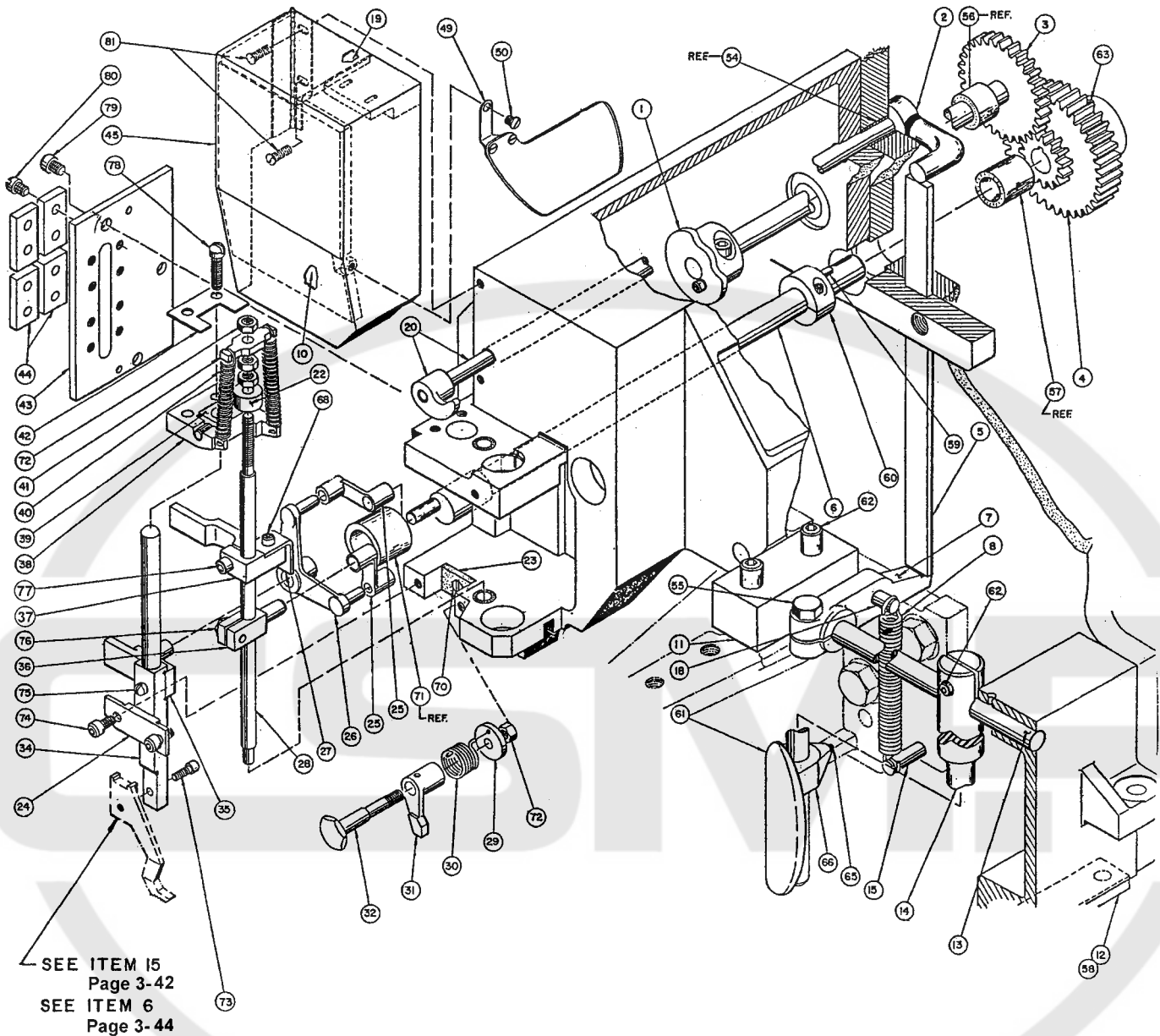
DET	PART NUMBER	DESCRIPTION	QTY
01	70.4223.3.029	Ass`y, Rt. Upper Looper Cam	1
02	36651001	Lifrer Lever. P. F.	1
03	36227019	Ass`y, Shaft Rt. Looper Cam	1
04	36271013	Ass`y, Presser Ft. Drive Gr.	1
05	32111012	Lifter Rod	1
06	36518077	Opreation Shaft	1
07	36651002	Lifter Lever	1
08	36543018	Lever Spring	1
09			
10	32731026	Sound Suppressor	1
11	35521055	Presser Foot Bearing	1
12			
13	31133018	Presser FT. Oper. Shaft	1
14	70.3172.1.024	Knee Oper. Shaft	1
15	31721040	Spring Post	1
16			
17			
18	31721038	Spring Post	1
19	32115013	Sound Suppressor	1
20	36619044	Shaft/ Press. Ft. Lifter	1
21			
22	31571002	Stationanry Press. Foot Cap	1
23	32217002	Follower Side Guide Plate	1
24	33242002	Retainer Strap	1
25	36621001	Connector Link	2
26	36672047	Lifting Bell Crank	1
27	34221010	Conn. Link Retainer	1
28			
29	31521001	Adjusting Collar	1
30	36543020	Torsion Spring	1
31	36613036	Spring Lever	1
32	31718027	Lever Stud	1
33			
34	31642007	Follow. Press. Ft. Shaft	1
35	35571021	Bell Crank Stud	1
36	31873013	Presser Foot Stud	1
37	33422001	Connector Link Block	1
38	33256011	Swivel Seat	1
39	31876011	Foot Swivel	1
40	36541005	Sprg. Tens. Follow. Ft	2
41	32729001	Clip Spring	1
42	32732001	Swivel Seat Cover	1
43	34732023	Rear Cover	1
44	32221007	Bell Crank Stud Guide	4
45	35771051	Ass`y Front Cover	1
46			
47			
48			
49	70.2691.1.188	Eye Guard	1
50	04100070	Scr. Bind. Hd. # 1/4 - 20 x 3/8	1

Revised 11/2005

e-mail: service@amfreece.cz; parts@amfreece.cz; website: www.amfreece.com

Phones: +420 582 309 146 (Service), +420 582 309 246 (Spare Parts) ; Fax: +420 582 360 606

PRESSER FOOT MECHANISM

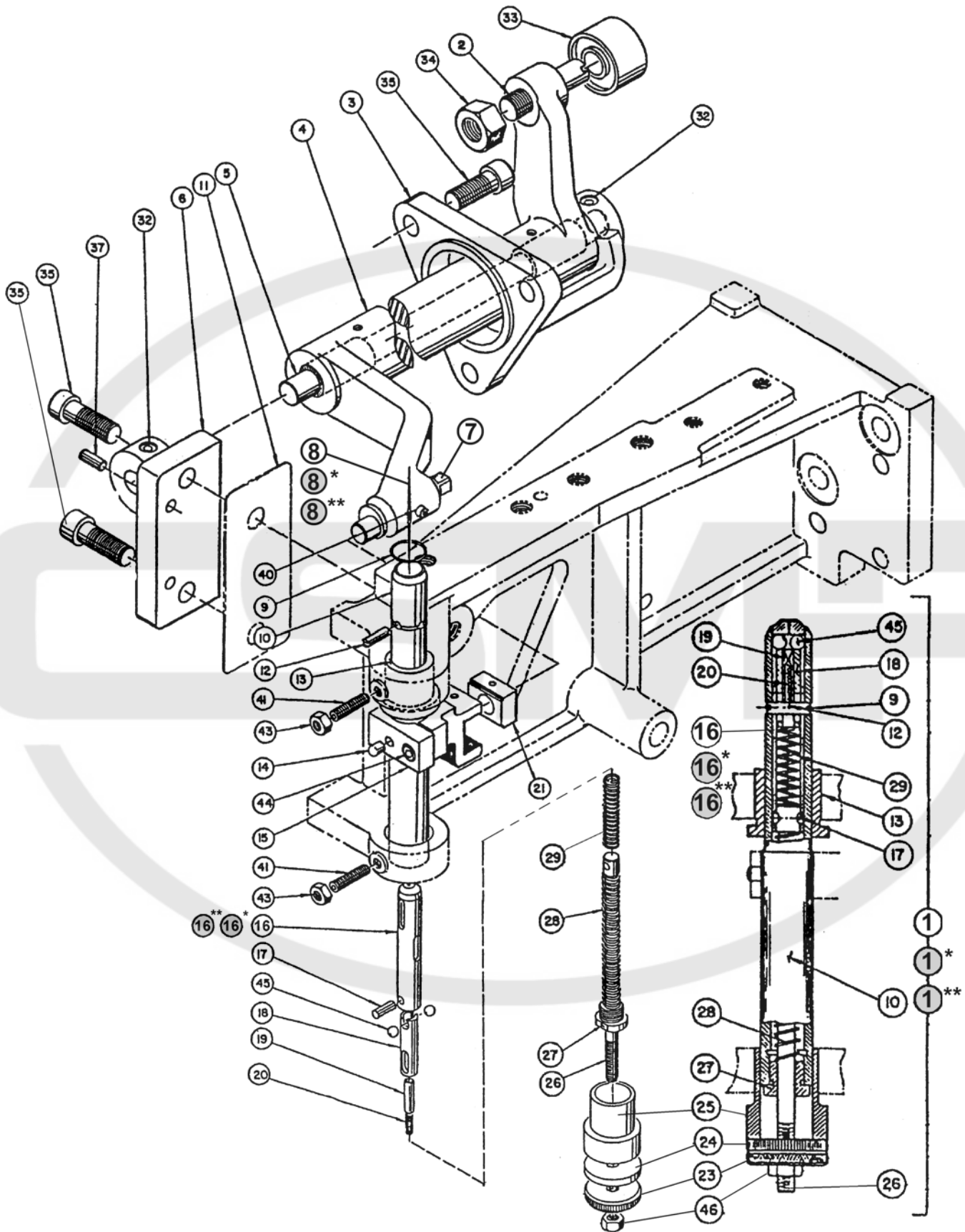


Revised 03/2005

e-mail: service@amfreece.cz; parts@amfreece.cz; website: www.amfreece.com

Phones: +420 582 309 146 (Service), +420 582 309 286 (Spare Parts) ; Fax: +420 582 360 606

LOWER NEEDLE BAR MECHANISM



Revised 03/2005

e-mail: service@amfreece.cz; parts@amfreece.cz; website: www.amfreece.com

Phones: +420 582 309 146 (Service), +420 582 309 286 (Spare Parts) ; Fax: +420 582 360 606

LOWER NEEDLE BAR MECHANISM

DET	PART NUMBER	DESCRIPTION	QTY
01	42531081	Needle Bar Assembly	1
01*	70.4253.1.078	Needle Bar Assembly	1*
01**	70.4253.1.079	Needle Bar Assembly	1**
02	31773015	Rocker Arm Bearing Stud	1
03	35521048	Rocker Arm Bearing	1
04	36691014	Rocker Arm	1
05	31723007	Rocker Arm Pivot	1
06	35521049	Rocker Arm Bearing	1
07	36518030	Bearing Block Stud	1
08	00103238	Round Needle	1
08*	00103228	Round Needle	1
08**	00103249	Round Needle	1
09	35131002	Pin Retainer	1
10	31697003	Needle Bar	1
11	32223045	Shim	1
12	31264001	Stop Pin	1
13	36523022	Small Bushing	1
14	31151001	(Locating Pin) Part of Assem.33441002	1
15	33441002	Lower Clamp, Needle Bar	1
16	35511021	Needle Support Sleeve	1
16*	35511081	Needle Support Sleeve	1*
16**	35511048	Needle Support Sleeve	1**
17	31111009	Sleeve Ext. Conn. Pin	1
18	31566008	Needle Clamp Sleeve	1
19	36771021	Needle Stop	1
20	36531010	Needle Stop Spring	1
21	33182005	Needle Bar Bearing Block	1
23	31593007	Sleeve Adj. Nut	1
24	31412001	Spring Plunger Washer	1
25	36523021	Large Bushing	1
26	31674025	Sleeve Extension	1
27	31695011	Spring Cap	1
28	36532021	Needle Bar Spring	1
29	36532022	Needle Lock Spring	1
32	03100066	Scr. Set Hex.Soc. Cup Pt.# 1/4 - 20 x 5/16	2
33	23231030	Bearing , Ball Part of A 31773015.	1
34	06104001	Nut, Lock "ESNA" # 29 NTE - 54	1
35	01000039	Scr., Hex. Soc. Hd. Cap # 5/16 - 18 x 3/4	5
37	08002028	Pin, Dowel # 3/16 x 7/8	1
40	01002106	Scr., Hex. Soc. Hd. Cap # 10 - 32 x 5/8	1
41	03130001	Scr. Set Hex. Soc. Cone Pt # 8 - 32 x 1/2	2
42			
43	06020019	Nut, Jam Hex.# 8 - 32	2
44	01000013	Scr ., Cap. Hex. Soc.# 8 - 32 x 1/2	1
45	22965006	Ball. Stl. "New Departure" # 11/64	2
46	06002001	Nut, Hex. S. Stl. # 10 - 32	1

* — Extra Parts

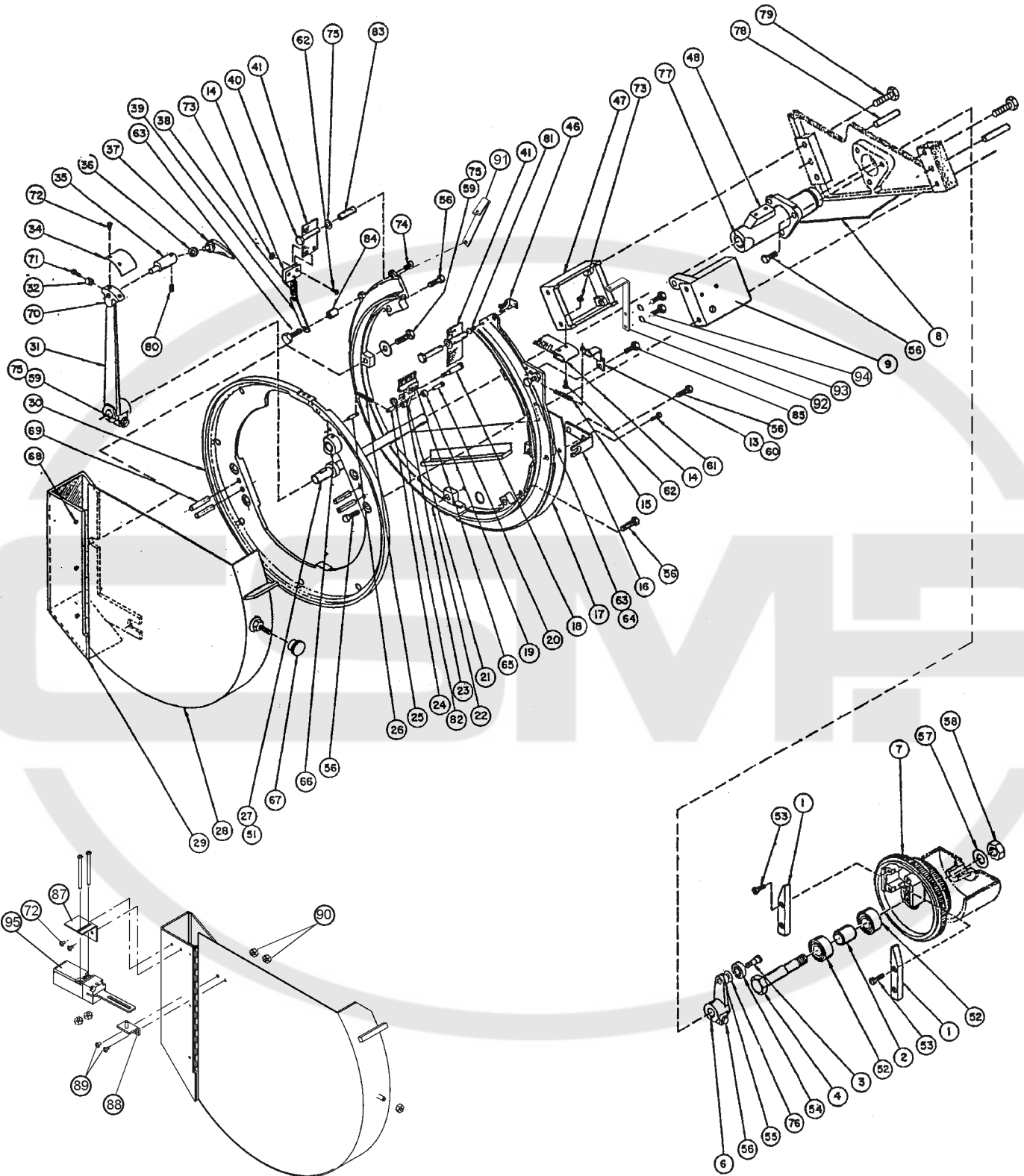
** — Extra Parts

Revised 03/2005

e-mail: service@amfreece.cz; parts@amfreece.cz; website: www.amfreece.com

Phones: +420 582 309 146 (Service), +420 582 309 246 (Spare Parts) ; Fax: +420 582 360 606

LOWER LOOPER AND THREAD DRUM MECHANISM



Revised 03/2005

e-mail: service@amfreece.cz; parts@amfreece.cz; website: www.amfreece.com

Phones: +420 582 309 146 (Service), +420 582 309 286 (Spare Parts) ; Fax: +420 582 360 606

LOWER LOOPER AND THREAD DRUM MECHANISM

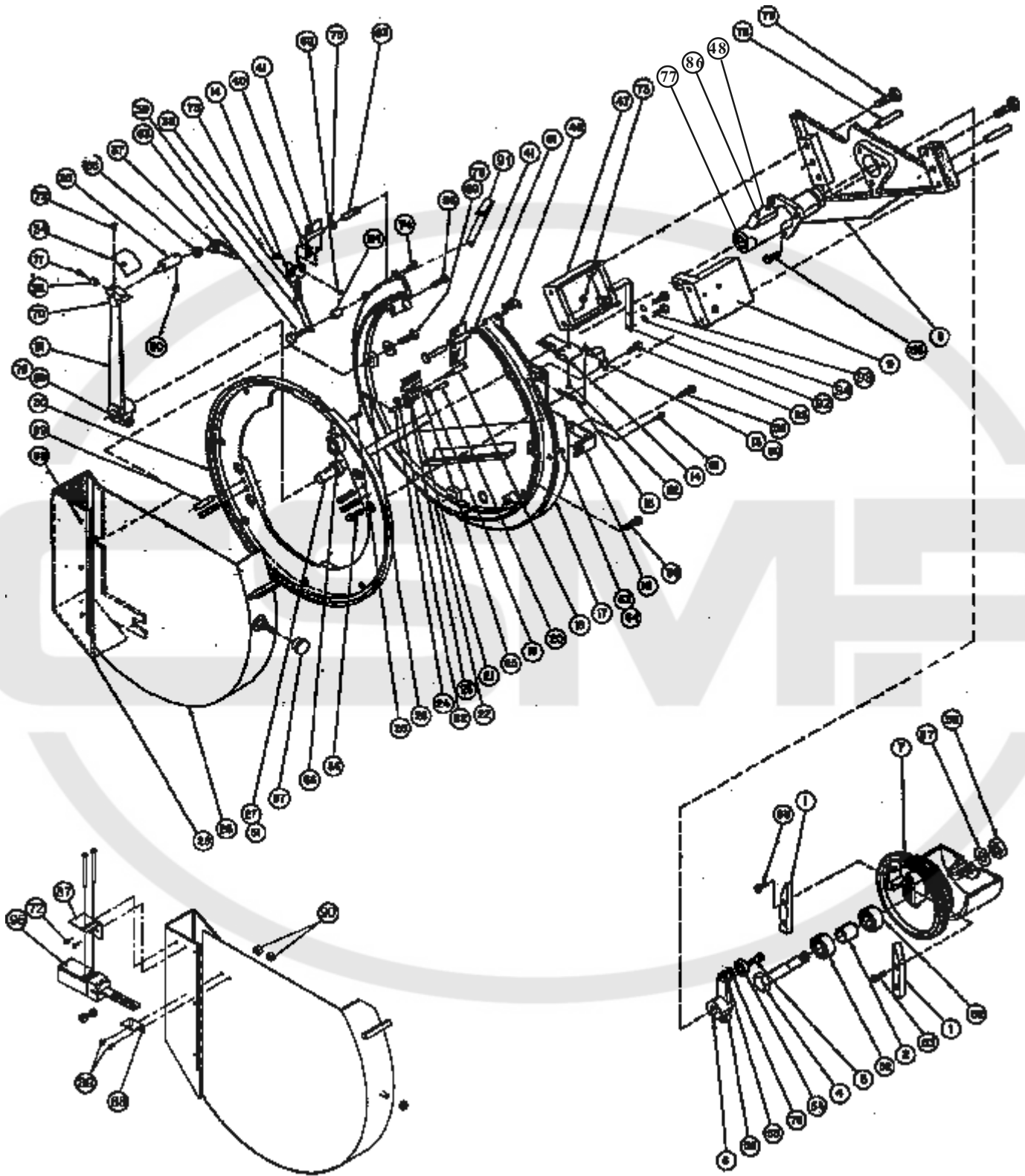
DET	PART NUMBER	DESCRIPTION	QTY
01	32533076	Drive Gib	2
02	31464002	Bearing Spacer	1
03	31715005	Bearing Stud	1
04	31845002	Gear Stud	1
05			
06	36651008	Arm Crank	1
07	36271006	Arm Crank Drive Gear	1
08	70.3577.7.042	Crank Guard	1
09	35561001	Tie Bracket	1
10			
11			
12			
13	34647001	Belt Tightener Arm	1
14	34111085	Belt Spring Fastener	2
15	36542017	Thread Tightener Spring	1
16	34372004	Lock Clip	1
17	35778014	R. S. Drum Cover	1
18	31718025	Brush Cam Lever Stud	1
19	31413030	Cam Roller	1
20	31612051	Roll Stud	1
21	70.3669.1.008	Brush Holder Cam Lever	1
22	35633040	Thread Separator	1
23	70.3727.4.013	Thread Brush	1
24	31721053	Spring Post	1
25	07.6440.0.050	Lever Spring	1
26	31721054	Spring Post	1
27	31781006	Loop Arm Shaft	1
28	41831082	Drum Cover Assembly	1
29	35812048	Rear Drum Guard	1
30	35633041	Drum	1
31	36653010	Lower Looper Arm	1
32	31572004	Locking Wedge	1
33			
34	34585001	Belt Support	1
35	36518029	Lower Looper Hook Extn.	1
36	36341050	Lower Looper Hook Spacer	1
37	37211018	Lower Hook Assembly	1
38	36543019	Take - Up Spring	1
39	32241004	Take - Up Spring Lever	1
40	31838013	Belt Pulley Stud	2
41	70.3657.2.009	Thread Belt	1
42			
43			
44			
45			
46	37112030	Ass`y., Separator Guide	1
47	35371004	Drum Rear Tie Bracket	1
48	35541070	Hook Arm Bearing	1
49			
50			

Revised 11/2005

e-mail: service@amfreece.cz; parts@amfreece.cz; website: www.amfreece.com

Phones: +420 582 309 146 (Service), +420 582 309 246 (Spare Parts) ; Fax: +420 582 360 606

LOWER LOOPER AND THREAD DRUM MECHANISM



Revised 11/2005

e-mail: service@amfreece.cz; parts@amfreece.cz; website: www.amfreece.com

Phones: +420 582 309 146 (Service), +420 582 309 286 (Spare Parts) ; Fax: +420 582 360 606

LOWER LOOPER AND THREAD DRUM MECHANISM

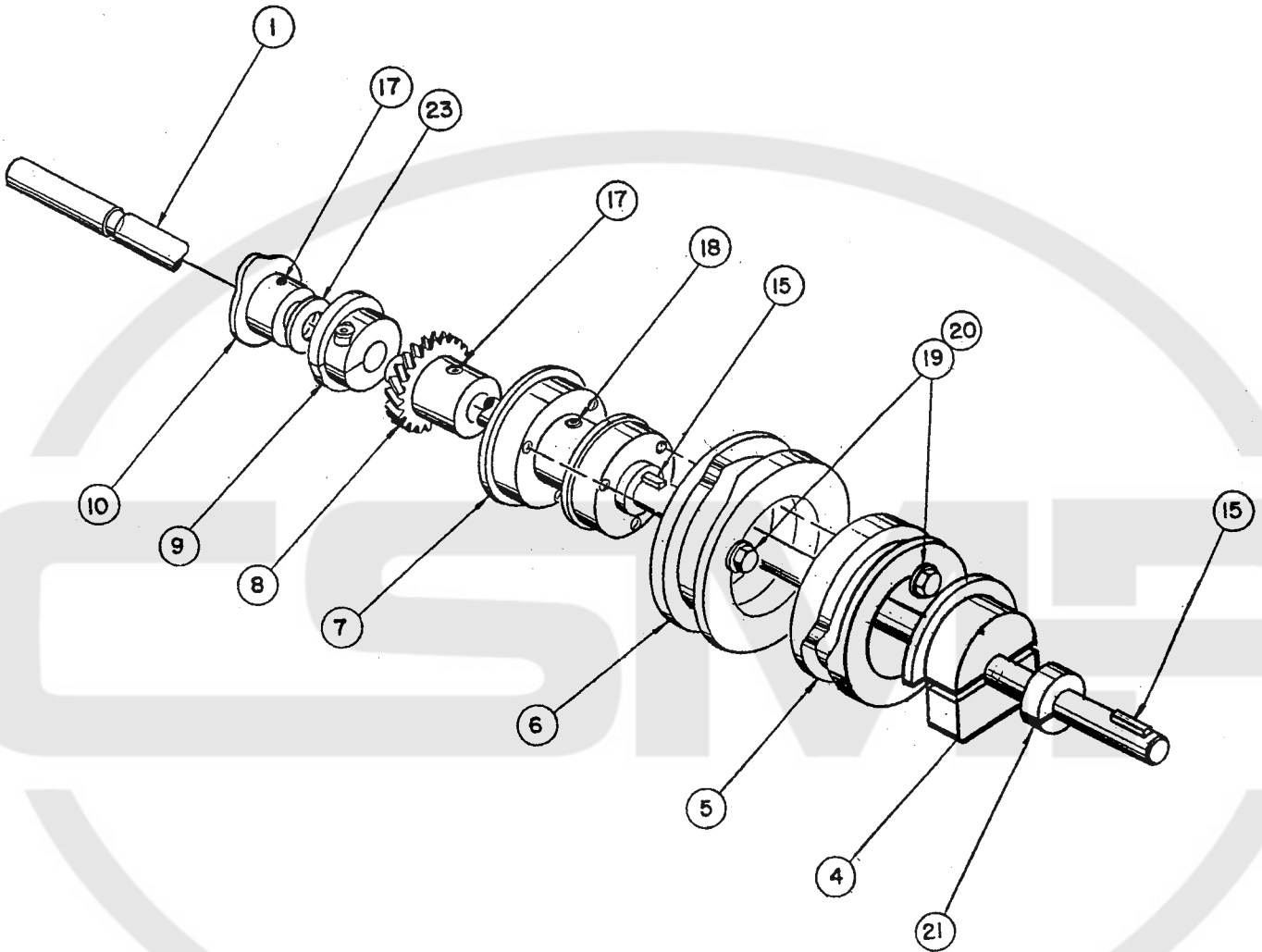
DET	PART NUMBER	DESCRIPTION	QTY
51	09020001	Key, Hi - Pro # 1/8 x 5/8	1
52	23231217	Bearing, Ball, " New Depart"# Z 99503	2
53	01000026	Scr., Hex. Soc. Hd. Cap # 1/4 - 20 x 5/8	4
54	23231210	Bearing, Ball, " New Depart"# 77039	1
55	03100013	Scr., Set Hex. Soc. Hd. Cup Pt. # 1/4 - 20 x 3/8	1
56	04200027	Scr., Hex. Hd. # 5/16 - 18 x 1.0	12
57	07002009	Washer, Flat # 5/8	1
58	06030014	Nut, Hex. # 5/8 - 11	1
59	04200031	Scr. Hex. Hd. # 5/16 - 18 x 1 1/4	3
60	23914009	Hook "S" - Gerwin Corp.# 55 - 3/4	1
61	04100011	Scr. Binding Hd.# 10 - 32 x 3/8	1
62	04100053	Scr. Binding Hd.# 8 - 32 x 5/16	4
63	04202013	Scr.Hex Hd.# 1/4 - 20 x 1 1/4	2
64	06000004	Nut, Hex # 1/4 - 20	3
65	04120005	Scr. Fil.Hd.# 5 - 40 x 3/8	2
66	23161073	Bearing , "Oilite" # FF - 707 - 3	1
67	22967003	Knob w/1/4 - 20 Insert "Reid"# DK - 17	1
68	22914003	Rivet, Stl. # 4 x 580 (500)	3
69	08000016	Pin, Dowel # 3/16 x 3/4	4
70			
71	01002015	Scr. Hex Soc.Hd. Cap # 8 / 32 x 5/8	1
72	01200011	Scr. Hex Soc.But. Hd. Cap # 8 / 32 x 1/4	2
73	06020019	Nut Hex.Jam # 8 - 32	4
74	04000020	Scr.,Flat Hd.# 10 - 32 x 1/2	2
75	07012010	Washer, Flat # 5/16	4
76	22912066	Plain Washer, S. Stl."SDP" # 9 x 20- 51	1
77	23161095	Bushing,"Oilite" # FF 843 - 2	(2)
78	08000022	Pin, Dowel # 5/16 x 1 1/4	2
79	04200051	Scr., Hex. Soc.Cap # 5/16 - 18 x 1 1/2	4
80	03100012	Scr.,Set Hex. Soc.Cup # 10 - 32 x 1/4	1
81	01200019	Scr.,But.Hd. Hex. Soc. # 6 - 32 x 1/2	1
82	06000002	Nut, Hex. # 10 - 32	1
83	31838014	Bushing Diameter 8 x 35	2
84	31423032	Spacer."RAF"# 1223 - 25 - SS - O -	1
85	04200012	Scr. Hex.Hd. # 1/4 - 20 x 1/2	1
86	17.0004.7.253	Oiler	(1)
87	70.3441.6.045	Switch Holder	1
88	70.3441.6.046	Controller	1
89	01200011	Screw	2
90	06020019	Nut	2
91	70.3288.3.605	Holder	1
92	70.3288.3.604	Holder	1
93	01000002	Screw # 8-32x3/8	2
94	07102007	Spring Washer	2
95	12.0008.4.596	Limit Switch	1

Revised 11/2005

e-mail: service@amfreece.cz; parts@amfreece.cz; website: www.amfreece.com

Phones: +420 582 309 146 (Service), +420 582 309 246 (Spare Parts) ; Fax: +420 582 360 606

MAIN CAM SHAFT ASSEMBLY



MAIN CAM SHAFT ASSEMBLY

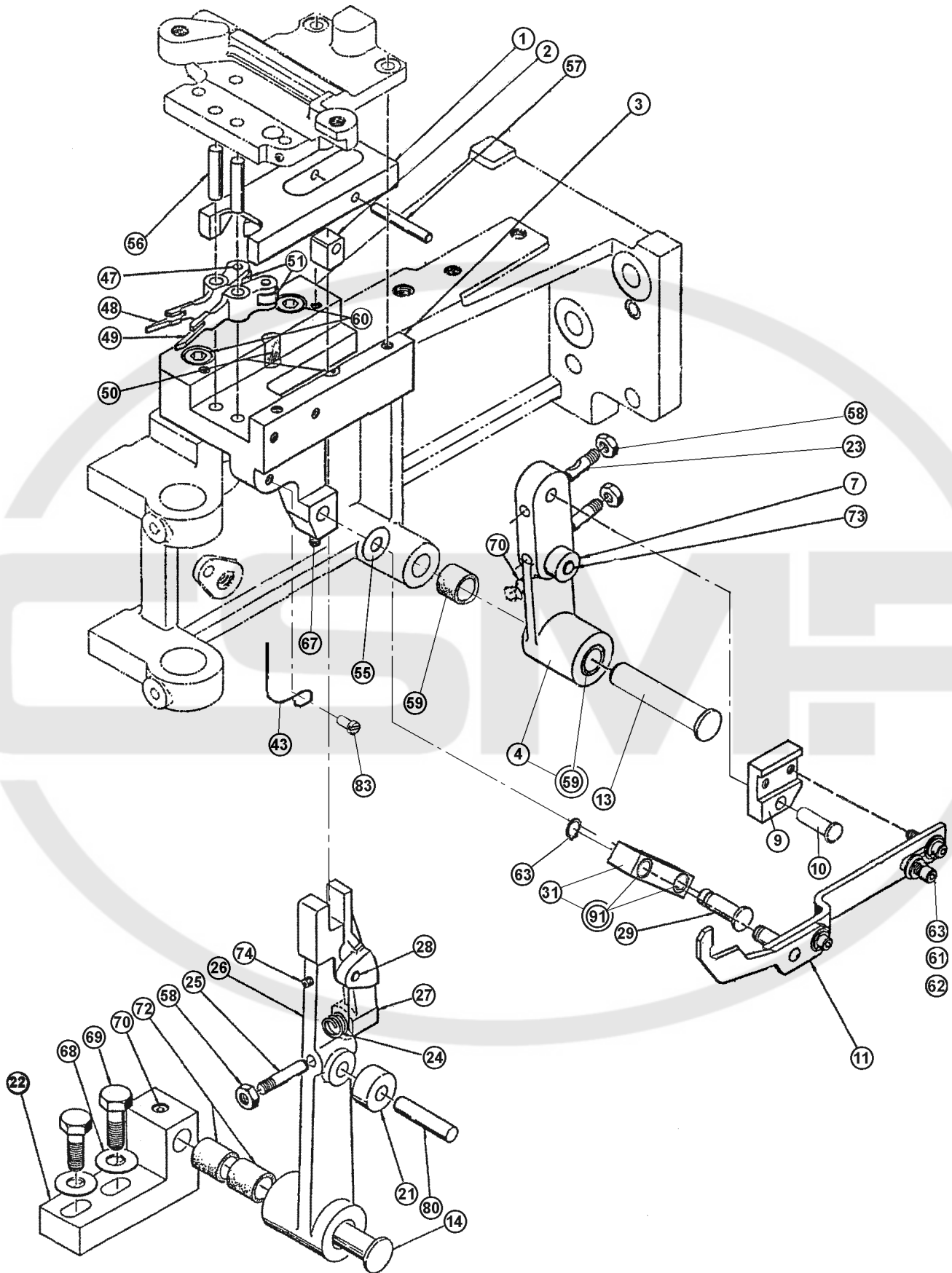
DET	PART NUMBER	DESCRIPTION	QTY
01	31734013	Cam Shaft	1
02			
03			
04	3100008	Flag Assembly	1
05	36513046	Thread Lifter Hook Cam	1
06	36516014	Thread Clamp Cam	1
07	31751004	Clamp Finger Cam Hub	1
08	36223009	Tension Finger Drive Gear	1
09	36514046	Angle Plate Cam	1
10	36515013	Brush Operating Cam	1
11			
12			
13			
14			
15	09020001	Key, Hi - Pro # 1/8 x 5/8	2
16			
17	03100012	Scr.,Set Hex. Soc.Cup Pt. # 10 - 32 x 1/4	2
18	01.2548.0.000	Scr. Hex. Soc.Cup Pt. # 1/4 - 20 x 1/4	1
19	22911037	Scr.Mach..Cap Pt. # 10 - 32 x 3/8 AN 3 - 3A	2
20	07012001	Washer, Flat # 10	2
21	24117012	Collar, Clamp "Maxwell" # 1/2 I.D. (8 L)	1
22			
23	22912058	Shim, Arbor "SDP" # 7C8 - E 16062	1

Revised 03/2005

e-mail: service@amfreece.cz; parts@amfreece.cz; website: www.amfreece.com

Phones: +420 582 309 146 (Service), +420 582 309 246 (Spare Parts) ; Fax: +420 582 360 606

THREAD GRIPPER & ELEVATOR MECHANISM



Revised 03/2005

e-mail: service@amfreece.cz; parts@amfreece.cz; website: www.amfreece.com

Phones: +420 582 309 146 (Service), +420 582 309 286 (Spare Parts) ; Fax: +420 582 360 606

THREAD GRIPPER & ELEVATOR MECHANISM

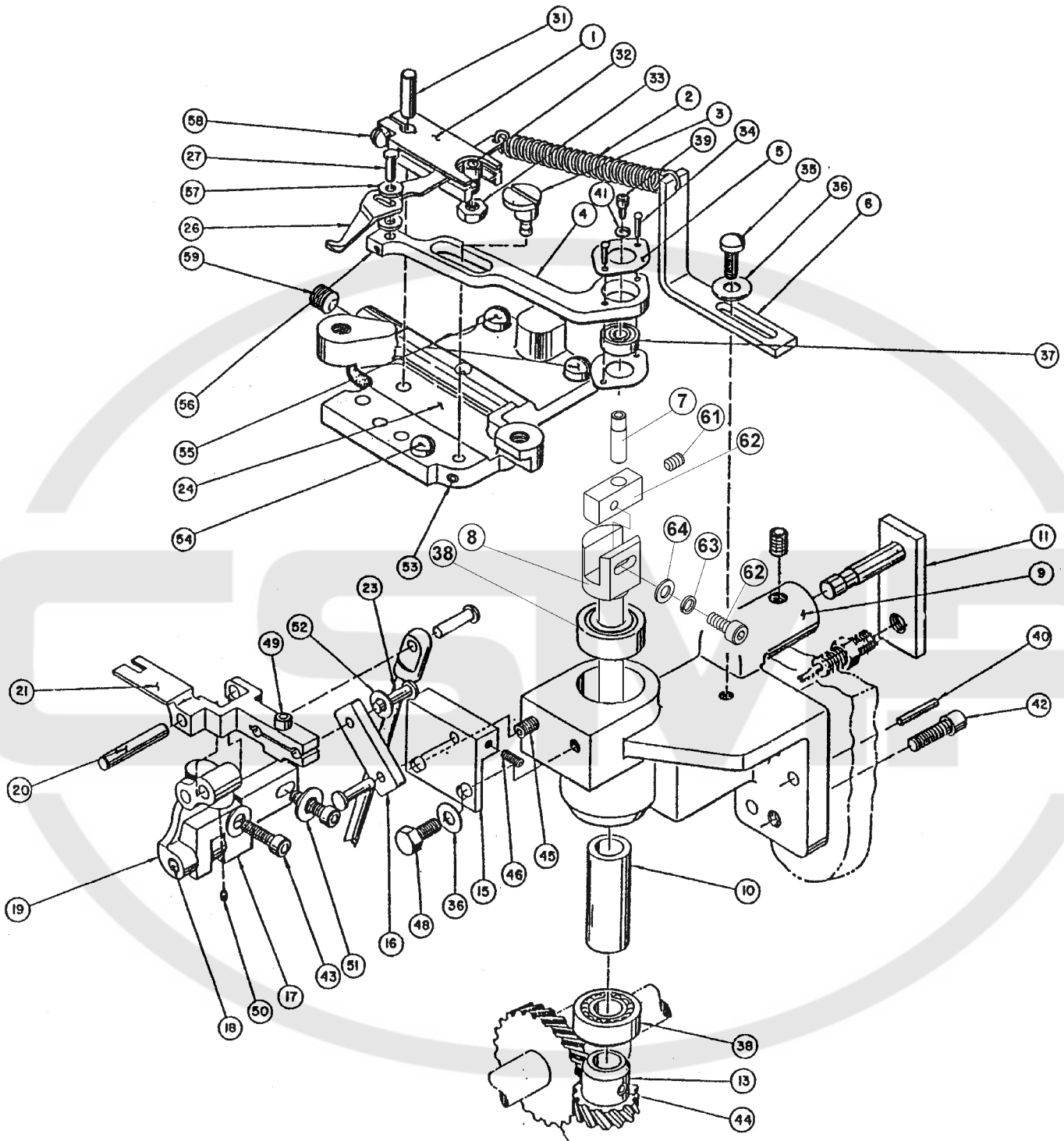
DET	PART NUMBER	DESCRIPTION	QTY
01	33257001	Clamp Finger Cam Slide	1
02	32434001	Thread Clamp Pivot Block	1
03	35551002	Thread Clamp Finger Brkt.	1
04	36661001	Thread Lifter Hook Cam Lever	1
07	31413031	Cam Roller	1
09	33244009	Hook Adjust Block	1
10	31611010	Cam Lever Stud	1
11	70.3721.1.153	Lifter Hook Assembly	1
13	31641015	Cam Lever Stud	1
14	31641019	Cam Lever Stud	1
16			
17	32739011	Support Bracket Arm	1
19	34372002	Support Bracket	1
21	31423068	Cam Roller	1
22	36613038	Clamp Pivot Bracket	1
24	36532025	Clamp Finger Lever Spring	1
25	31288023	Clamp Stud	3
26	36673028	Clamp Finger Lever	1
27	36647001	Spring Piece	1
28	31215008	Piece Pin	1
29	31641010	Thread Hook Lifter Lever Stud	1
31	33334012	Thread Hook Lifter Lever	1
43	70.3282.7.100	Divider	
47	31112002	Roller Pin	2
48	70.3664.5.007	Rear Finger	1
49	70.3664.5.006	Front Finger	1
50	32121004	Slide Wick Oiler	2
51	31413029	Cam Roller	2
56	08000044	Pin Dowel # 3/16 Dia x 1	2
57	08000109	Pin Dowel # 5/32 x 1	1
59	01.7305.0.900	Bearing	(2)
60	01000047	Scr. Hex. Soc. Hd. Cap # 5/16 - 18 x 1	2
61	07012005	Washer, Flat # 8	2
62	07102007	Washer, Lock Spring # 8	2
63	25379218	Ring Retainer # 5100 - 25 (1/4)	1
65	01000002	Scr. Hex. Soc. Hd. Cap # 8 - 32 x 3/8	2
67	03100012	Scr.Set Hex. Soc. Cup Pt. # 10 - 32 x 1/4	1
68	07012002	Washer Flat # 1/4	2
69	01000037	Scr. Hex. Hd. # 1/4 - 20 x 1.0	2
70	03100066	Scr.Set Hex. Soc. Cup Pt. # 1/4 - 20 x 5/16	2
72	23132142	Bearing " Oilite " # AA - 521 - 1	2
73	08000110	Pin, Dowel # 7/32 Dia x 5/8	1
74	03140003	Scr.Set Hex. Soc. Oval Pt. # 8 - 32 x 3/8	1
80	08000007	Pin, Dowel # 1/4 Dia x 1.0	1
83	04100054	Screw #8-32	1
91	23132056	Bearing	(2)

Revised 03/2005

e-mail: service@amfreece.cz; parts@amfreece.cz; website: www.amfreece.com

Phones: +420 582 309 146 (Service), +420 582 309 246 (Spare Parts) ; Fax: +420 582 360 606

PICK STITCH & TENSION FINGER



Revised 03/2005

e-mail: service@amfreece.cz; parts@amfreece.cz; website: www.amfreece.com

Phones: +420 582 309 146 (Service), +420 582 309 286 (Spare Parts) ; Fax: +420 582 360 606

PICK STITCH & TENSION FINGER

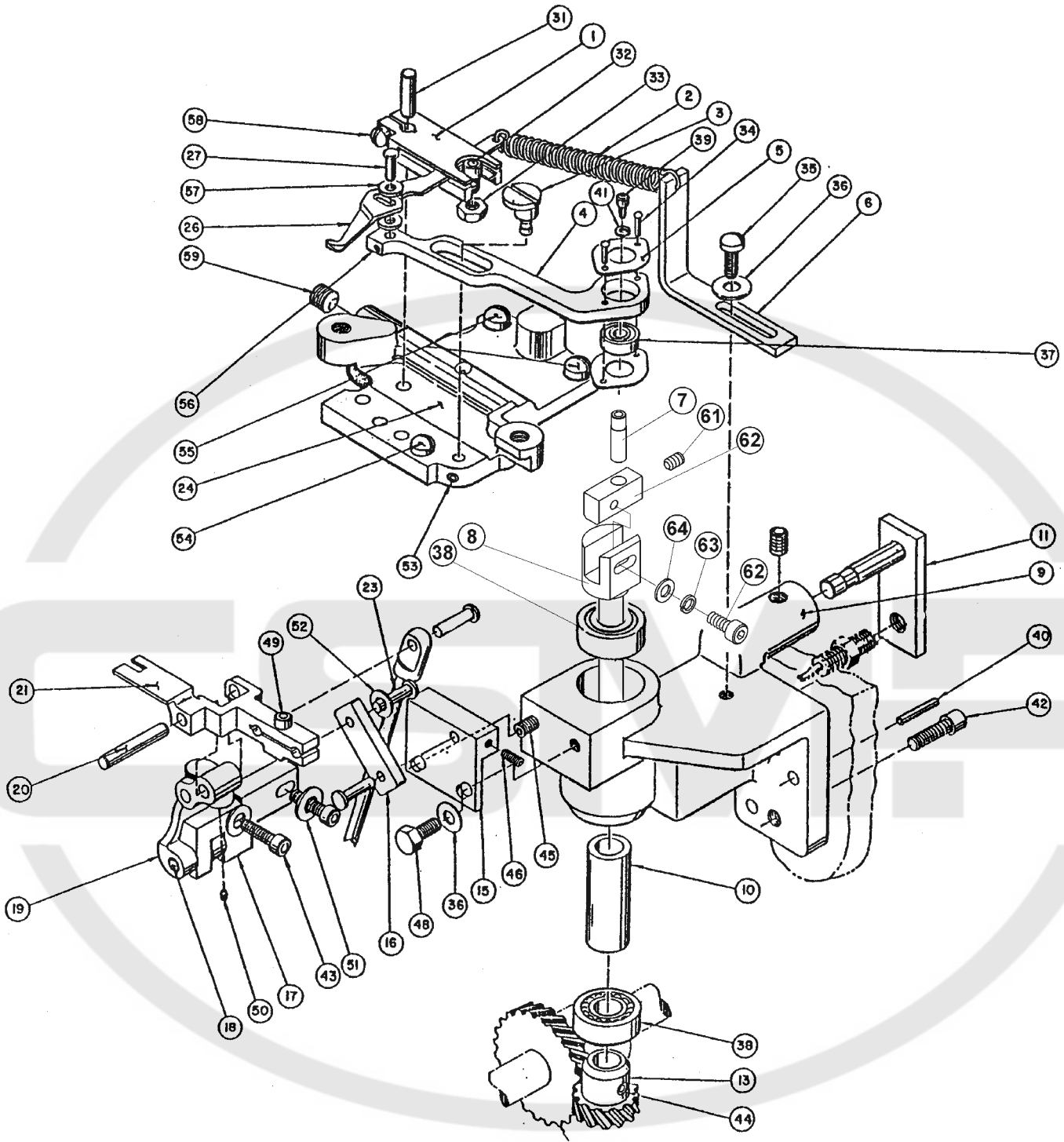
DET	PART NUMBER	DESCRIPTION	QTY
01	35511045	Support Block	1
02	36542018	Finger Spring	1
03	36518027	Stud Eccentric	1
04	35526005	Slide Support	1
05	32691001	Ball Bearing Retainer	2
06	34372042	Finger Spring Tension Holder	1
07	70.3651.8.022	Support Stud	1
08	70.3651.8.020	Eccentric Shaft	1
09	35542007	Tension Finger Ball Bearing Bracket	1
10	31426015	Bearing Spacer	1
11	31000009	Sensor Holding Assembly	1
12			
13	36221009	Driven Gear	1
14			
15	33252029	Pusher Plate	1
16	32643073	Link (Pick Stitch)	1
17	33258075	Plate Bracket Pivot Arm Support	1
18	31721022	Lower Finger	1
19	36677016	Pivot, Arm	1
20	31215012	Bracket Pin	1
21	36691021	Bender Plate	1
22			
23	31612045	10 - 6 Cam Roller Stud	3
24	35815007	Bracket Cover	1
25			
26	37211130	Thread Tension Finger	1
27	31611064	10 - 1 Plain Stud	1
28			
29			
30			
31	08000015	Pin, Dowel #3/16 Dia x 5/8 Lg	1
32	01000058	Scr., Hex. Soc. Hd. Cap # 8 - 32 x 3/16	1
33		Nut, Square # 8 - 32	1
34	08504001	Rivet, Rd. Hd. (Alum.) # 1/16 x 5/16	2
35	04120002	Scr., Fill. Hd. # 10 - 32 x 3/8	1
36	07012001	Washer, Flat # 10	2
37	23231040	Bearing , Ball "New Depart" # 77 R 3	1
38	23231226	Bearing	2
39	01000005	Scr., Hex. Soc. Hd. Cap # 6 - 32 x 1/4	1
40	08000044	Pin, Dowel # 3/16 x 1.0	2
41	07102007	Washer, Lock # 8	1
42	01000047	Scr., Hex. Soc. Hd. Cap # 5/16 - 18 x 1.0	1
43	01002015	Scr., Hex. Soc. Hd. Cap # 8 - 32 x 5/8	2
44	03100154	Scr., Hex. Soc. Hd. Cup Pt. # 10 - 32 x 3/16	2
45	03102026	Scr., Hex. Soc. Hd. Cup Pt. # 10 - 32 x 1/2	1
46		Scr., Hex. Soc. Flat Pt. # 8 - 32 x 1/4	1
47			
48	04200039	Scr., Hex. Hd. # 10 - 32 x 3/8	1
49	01000027	Scr., Cap Hex. Soc. # 6 - 40 x 3/8	1
50	03101038	Scr., Set Self lock Knurl. Cup # 6- 40 x 1/4	1

Revised 03/2005

e-mail: service@amfreece.cz; parts@amfreece.cz; website: www.amfreece.com

Phones: +420 582 309 146 (Service), +420 582 309 246 (Spare Parts) ; Fax: +420 582 360 606

PICK STITCH & TENSION FINGER

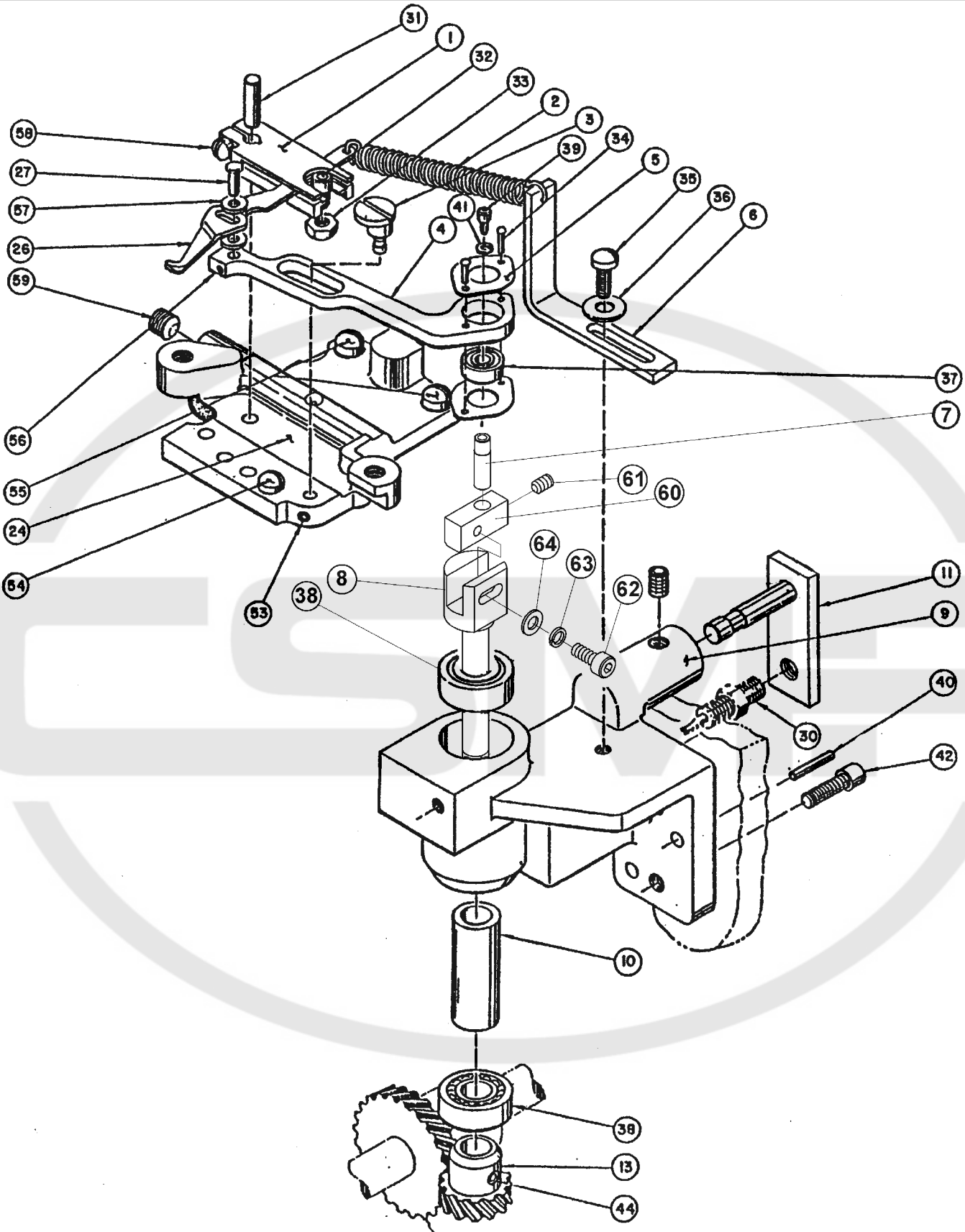


Revised 03/2005

e-mail: service@amfreece.cz; parts@amfreece.cz; website: www.amfreece.com

Phones: +420 582 309 146 (Service), +420 582 309 286 (Spare Parts) ; Fax: +420 582 360 606

TENSION FINGER ASSEMBLY



Revised 03/2005

e-mail: service@amfreece.cz; parts@amfreece.cz; website: www.amfreece.com

Phones: +420 582 309 146 (Service), +420 582 309 286 (Spare Parts) ; Fax: +420 582 360 606

TENSION FINGER ASSEMBLY

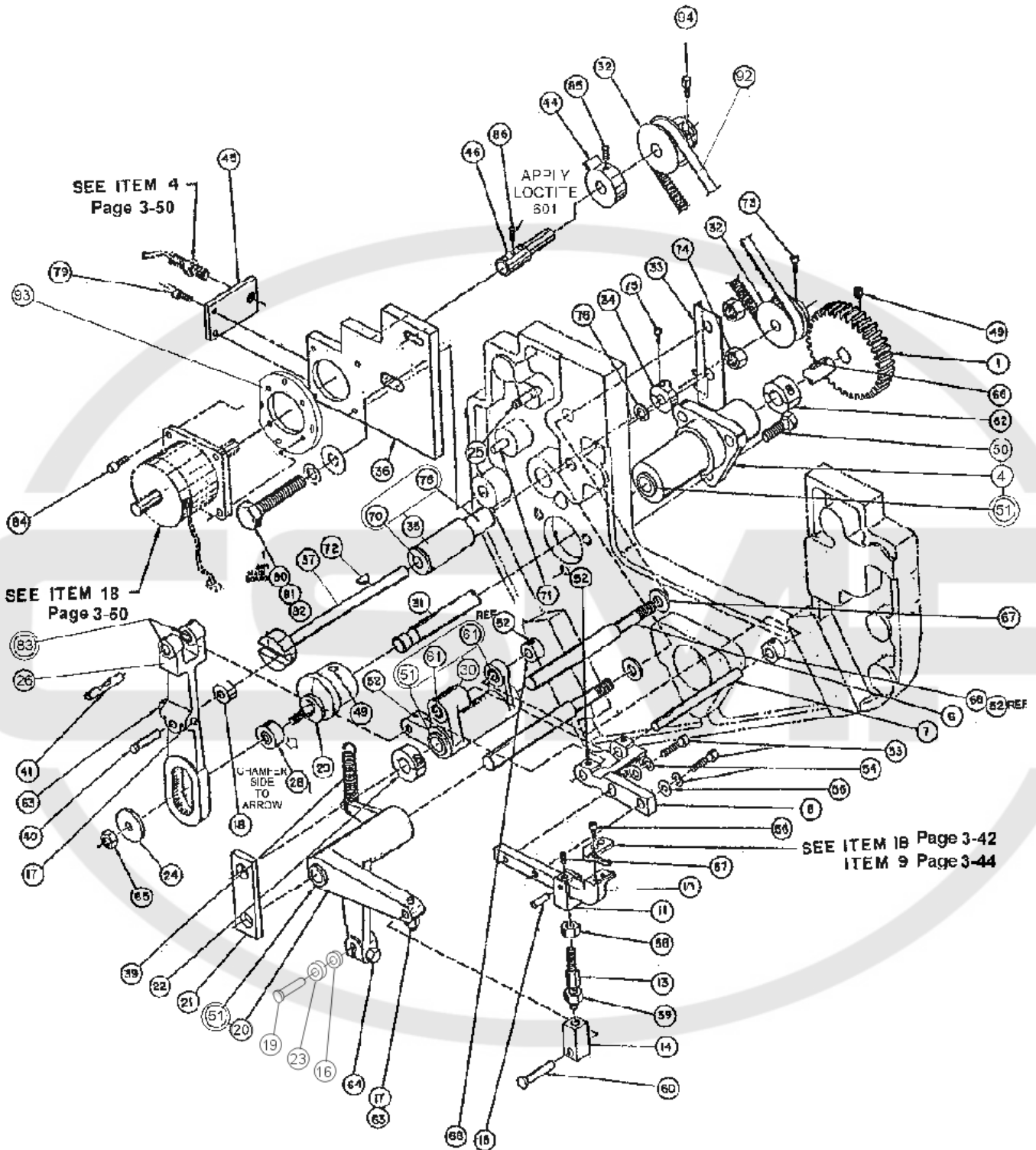
DET	PART NUMBER	DESCRIPTION	QTY
01	35511045	Support Block	1
02	36542018	Finger Spring	1
03	36518027	Stud Eccentric	1
04	35526005	Slide Support	1
05	32691001	Ball Bearing Retainer	2
06	34372042	Finger Spring Tension Holder	1
07	70.3651.8.022	Support Stud	1
08	70.3651.8.020	Eccentric Shaft	1
09	35542007	Tension Finger Ball Bearing Bracket	1
10	31426015	Bearing Spacer	1
11	31000009	Sensor Holding Assembly	1
12			
13	36221009	Driven Gear	1
24	35815007	Bracket Cover	1
25			
26	37211130	Thread Tension Finger	1
27	31611064	10 - 1 Plain Stud	1
28			
29			
30	12.0008.3.244	Sensor	1
31	08000015	Pin, Dowel # 3/16 Dia. X 5/8 Lg.	1
32	01000058	Scr., Hex. Soc.Hd. Cap. # 8 - 32 x 3/16	1
33	06000003	Nut. Mach. Scr. Hex. # 8 - 32	1
34	08504001	Rivet, Rd. Hd. (Alum.) # 1/16 x 5/16	2
35	04120002	Scr., Fil. Hd. # 10 - 32 x 3/8	1
36	7012001	Washer, Flat # 10	1
37	23231040	Bearing, Ball "New Depart" # 77 R 3	1
38	23231226	Bearing	2
39	01000009	Scr., Hex. Soc.Hd. Cap. # 8 - 32 x 1/4	1
40	08000044	Pin, Dowel # 3/16 x 1.0	1
41	07102007	Washer, Lock # 8	1
42	01000047	Scr., Hex. Soc.Hd. Cap. # 5/16 - 18 x 1.0	1
43			
44	03100154	Scr., Set Hex. Soc.Cup Pt. # 10 - 32 x 3/16	1
45			
46			
47			
53	03100038	Scr., Set Hex. Soc.Cup. # 5 - 40 x 3/16	1
54	04120012	Scr., Fil. Hd. # 8 - 32 x 5/16	1
55	04120001	Scr., Fil. Hd. # 8 - 32 x 1/2	2
56	03100147	Scr., Set Hex. Soc.Cup.Pt. # 6 - 40 x 3/16	1
57	07016002	Washer, Flat (Brass) # 5	2
58	04120004	Scr., Fil. Hd. # 8 - 32 x 3/8	1
59	03100008	Scr., Set Hex. Soc.Cup.Pt. # 1/4 - 20 x 1/4	1
60	70.3651.8.021	Holder	1
61	08.6400.4.005	Screw M4x5	
62	08.6000.4.010	Screw M4x10	
63	08.6802.4.000	Spring Washer 4,1	
64	08.6852.4.000	Washer 4,3	

Revised 03/2005

e-mail: service@amfreece.cz; parts@amfreece.cz; website: www.amfreece.com

Phones: +420 582 309 146 (Service), +420 582 309 246 (Spare Parts) ; Fax: +420 582 360 606

MATERIAL FEED



MATERIAL FEED

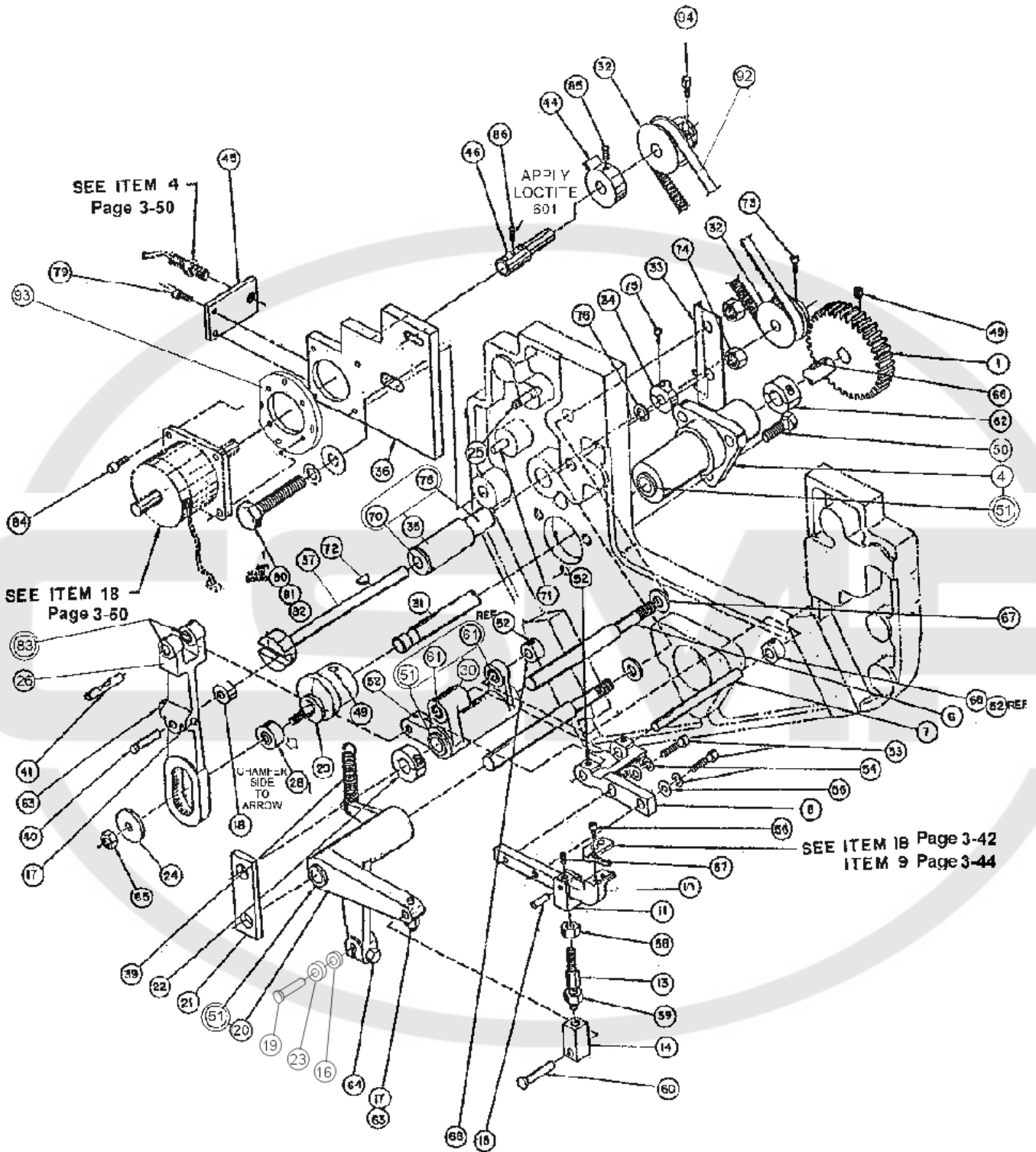
DET	PART NUMBER	DESCRIPTION	QTY
01	36226011	Material Feed Drive Gear	1
02			
03			
04	31881004	Material Feed Drive Shaft Bearing	1
05			
06	31773013	Feed Motion Brkt. Shaft	2
07	31217001	Material Feeder Arm Support Bracket Shaft	1
08	35523018	Material Feeder Support Bracket	1
09			
10	36613034	Material Feeder Arm	1
11	32739004	Material Feeder Arm Fift, Fork	1
12			
13	31852015	Feeder Lifter Rod	1
14	32428002	Feeder Lifter Rod Hd.	1
15	31215002	Lifter Fork Pin	1
16	08.6852.6.000	Washer	1
17	31288023	Clamp Stud	2
18			
19	31612052	Cam Roller Stud	1
20	36691022	Feeder Lifter Bell Crank	1
21	32225017	Shaft Support Plate	1
22	31511015	Feed Mtn. Bracket Shaft Collar	1
23	23231045	Bearing	1
24	31421005	Feed Mtn. Ecc. Stud Washer	1
25	31721039	Post, Spring	1
26	36667012	Feed Eccentric Arm	1
27			
28	36344057	Feed Motion Cam roller	1
29	36515020	Material Feed Cam	1
30	36678019	Feed Motion Bracket	1
31	31728003	Material Feed Drive Shaft	1
32	36343061	Pulley Stitch Adj. Shaft Drive	2
33	70.3462.7.067	Limit Stop Plate	1
34	36771079	Slide Block Limit Stop	1
35	35225010	Slide Bearing Block	1
36	31000006	Motor Mounting Bracket	1
37	31644004	Stitch Adj. Slide Block	1
38			
39	36546024	Ext. Spring	1
40	08000007	Pin Dowel #1/4 x 1	1
41	31215079	Feed Motion Bracket Pin	1
42			
43			
44	31000018	Home Sensor Cam	1
45	31000019	Sensor Mtg. Plate	1
46	70.3100.0.041	Extension Shaft	1
47			
48			
49	03100013	Scr., Set Hex. Soc.Cup.Pt. # 1/4 - 20 x 3/8	2
50	04200030	Scr., Hex.Hd.Cap # 5/16 - 18 x 3/4	1

Revised 11/2005

e-mail: service@amfreece.cz; parts@amfreece.cz; website: www.amfreece.com

Phones: +420 582 309 146 (Service), +420 582 309 246 (Spare Parts) ; Fax: +420 582 360 606

MATERIAL FEED



MATERIAL FEED

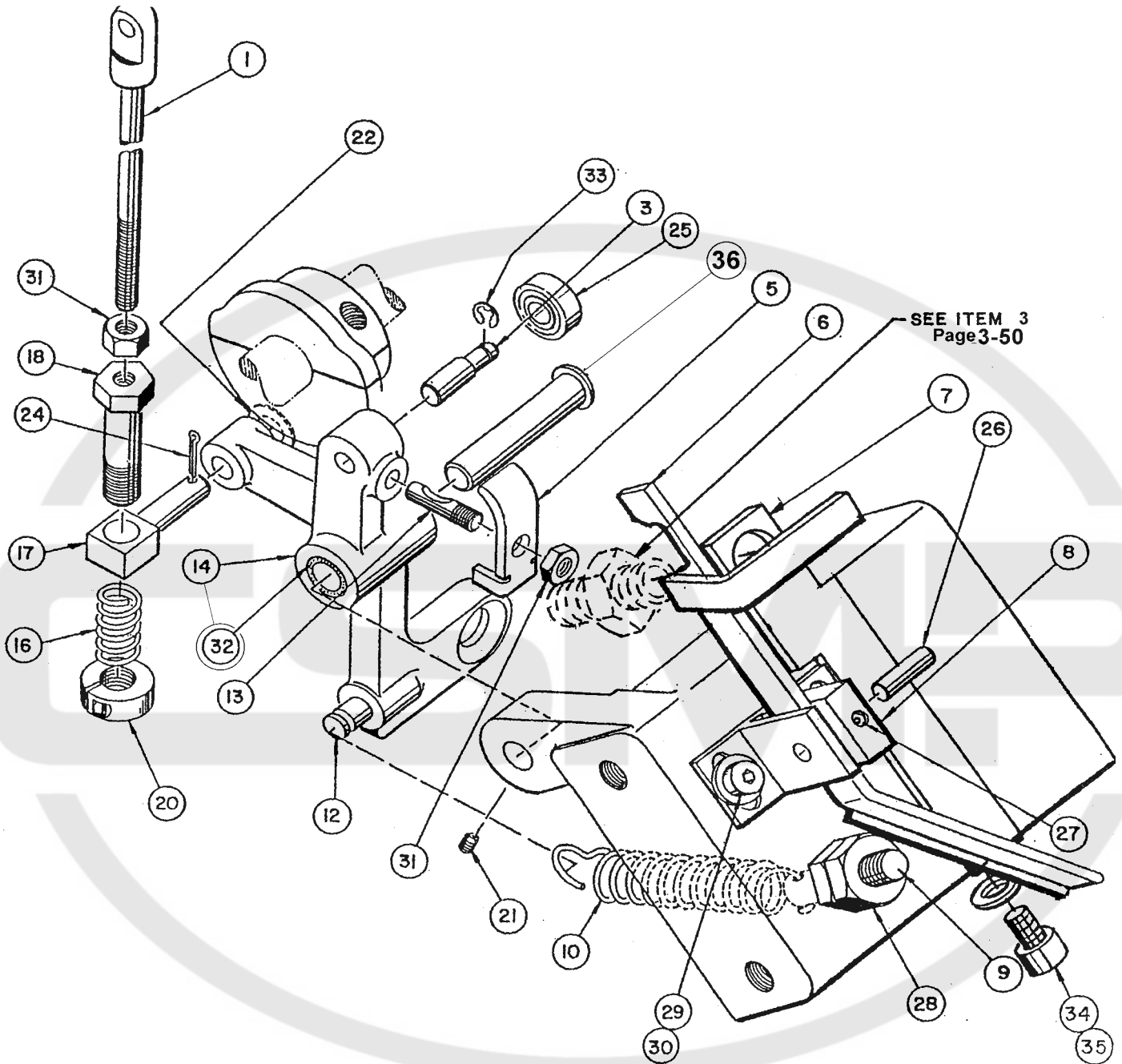
DET	PART NUMBER	DESCRIPTION	QTY
51	23161073	Bushing"Oilite"#FF - 707 - 3	(6)
52	03100051	Scr., Set Hex. Soc.Cup.Pt. # 8 32 x 1/8	3
53	01000019	Scr., Hex. Soc. Hd.Cap. # 10 - 32 x 3/4	1
54	07100011	Washer, Lock #10	2
55	07012001	Washer, Flat # 10	2
56	01000059	Scr., Hex. Soc. Hd.Cap. # 6 - 40 x 1/4	1
57	03100012	Scr., Hex. Soc.Cup.Pt. # 10 - 32 x 1/4	1
58	06020004	Nut.Hex.Jam # 1/4 - 20	1
59	06020021	Nut.Hex.Jam L. H. # 1/4 - 20	1
60	31612054	Stud, Cam Roller # 10 - 6 - 1A1 - 67	1
61	23132122	Bearing "Oilite" # AA - 520 - 8	3
62	24117012	Collar "Holokrome" # 15014	1
63	06000002	Nut. Hex # 10 - 32	1
64	04200011	Scr., Hex. Hd. # 10 - 32 x 5/8	1
65	06000005	Nut. Hex # 1/4 - 28	1
66	09020001	Key, Hi - Pro # 1/8 x x 5 /8	1
67	22912090	Washer "Reid`s " H. Duty # FW - 3	2
68	01.7435.1.000	Collar	2
69			
70	23161048	Bushing "Oilite" # FF - 607 - 3	(1)
71	08000044	Pin. Dowel # 3/16 x 1	1
72			
73	01000013	Scr., Hex. Soc. Hd. Cap # 8 - 32 x 1/2	2
74	06000014	Nut. Hex # 3/8 - 16	2
75	01000017	Scr., Hex. Soc. Hd. Cap # 6 - 32 x 3/8	1
76	23181235	Bearing, Thrust "Rulon"# DRT 0612 - 2	1
77			
78	23132155	Bushing "Oilite" # AA - 507 - 2	(1)
79	01000026	Scr. H. S. H. C. # 1/4 - 20 x 5/8	1
80	04200046	Scr., Hex. Hd. # 3/8 - 16 x 2	1
81	07100009	Washer, Spring Lock # 3/8	1
82	07012003	Washer, Flat # 3/8	1
83	23161008	Bearing "Oilite" # FF - 303	(2)
84	01000056	Scr., Hex. Hd.Cap # 10 - 24 x 1/2	4
85	03102026	Scr.,Set Hex.Soc.Cup Pt. # 10 - 32 x 1/2	1
86	08.6400.4.008	Screw M 4 - 8	3
87			
88			
89			
90			
91			
92	24381054	Belt Timming " SDP"# 6 B 3085025	1
93	70.3100.0.040	Motor Flange	1
94	08.6000.4.010	Screw M 4 - 10	4

Revised 03/2005

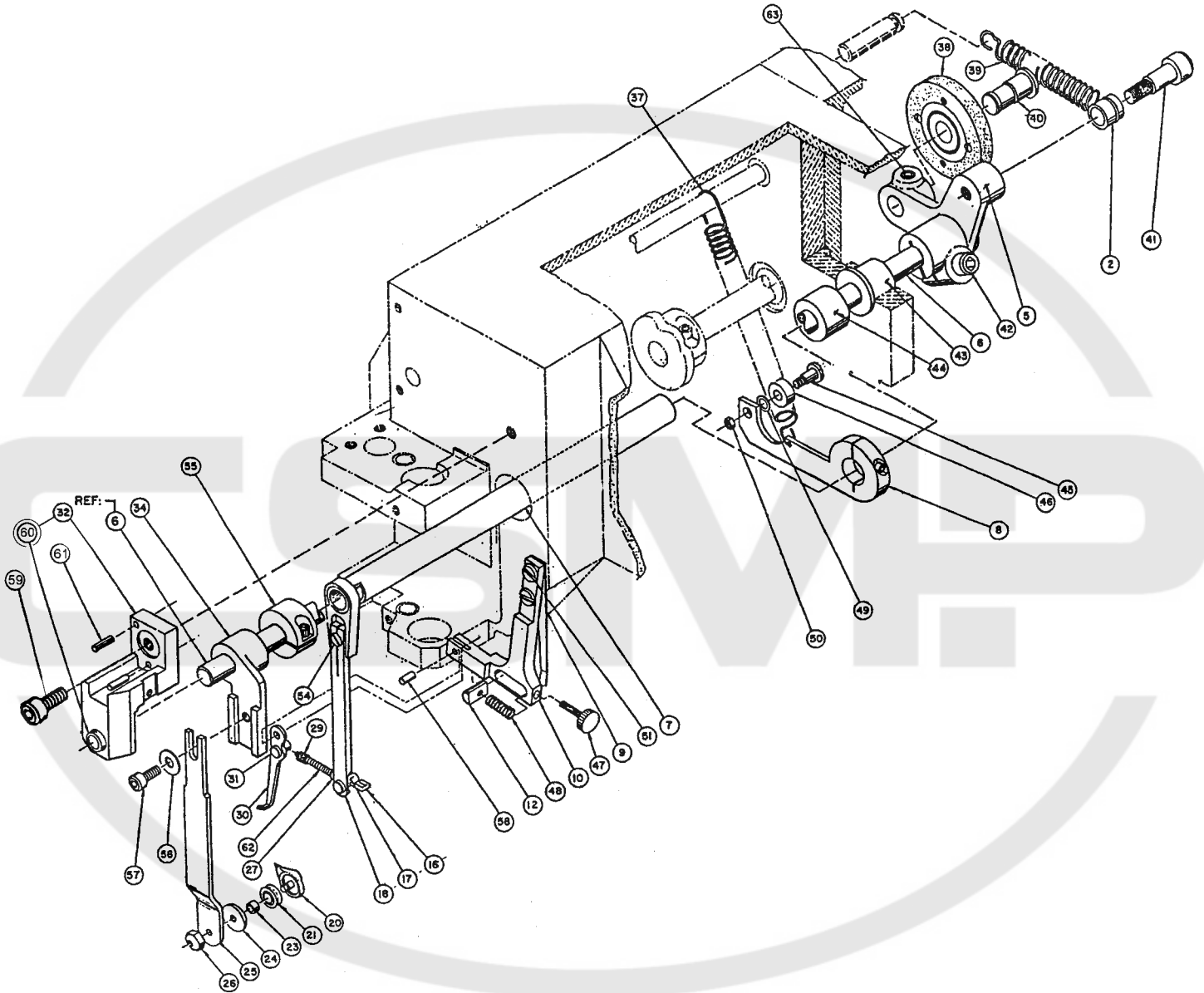
e-mail: service@amfreece.cz; parts@amfreece.cz; website: www.amfreece.com

Phones: +420 582 309 146 (Service), +420 582 309 246 (Spare Parts) ; Fax: +420 582 360 606

ANGLE STITCH MECHANISM



UPPER LOOPER



Revised 03/2005

e-mail: service@amfreece.cz; parts@amfreece.cz; website: www.amfreece.com

Phones: +420 582 309 146 (Service), +420 582 309 286 (Spare Parts) ; Fax: +420 582 360 606

UPPER LOOPER

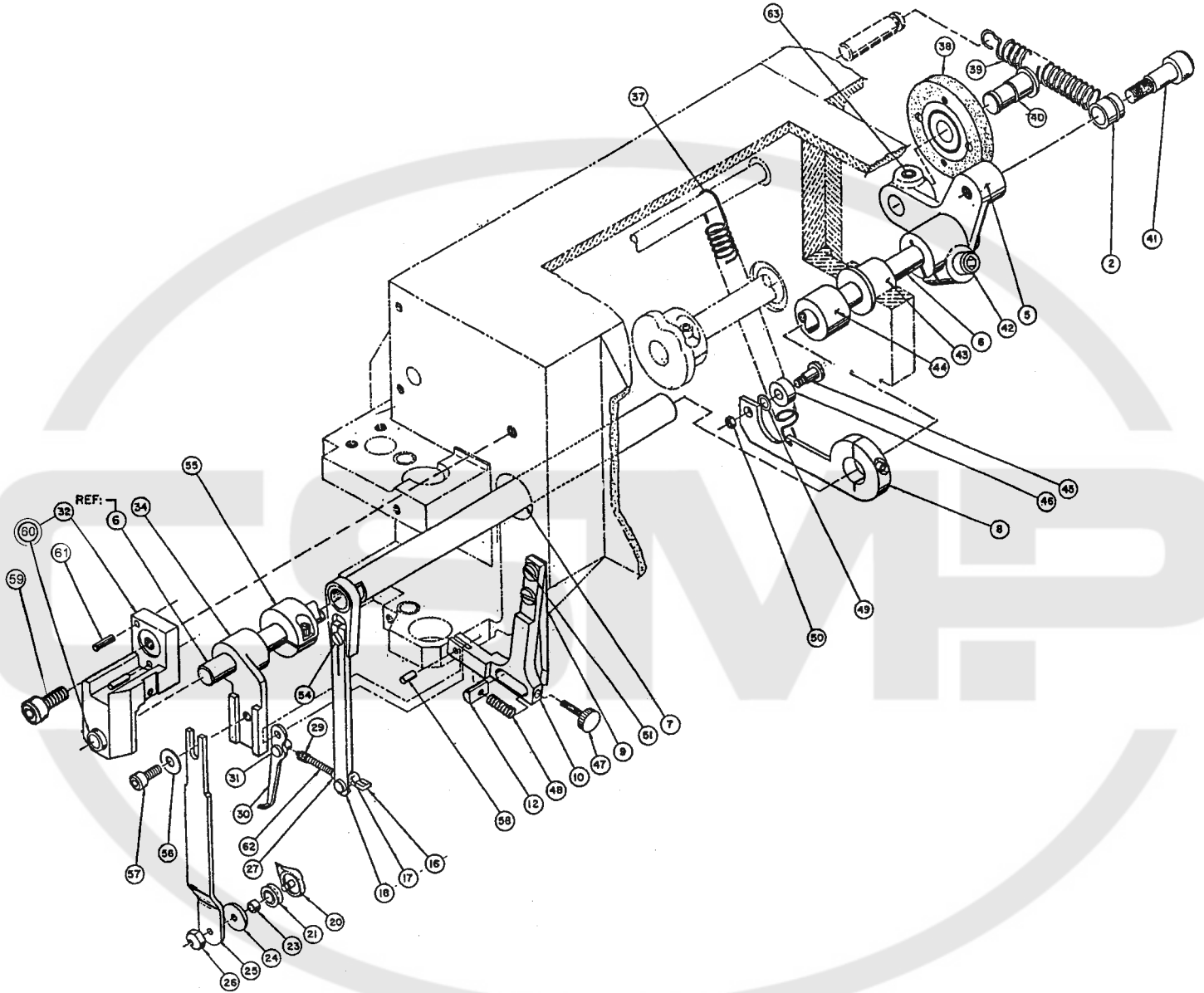
DET	PART NUMBER	DESCRIPTION	QTY
01			
02	31722031	Sleeve	1
03			
04			
05	36691024	Cam Lever	1
06	31268001	Left Upper Looper Arm Shaft	1
07	36761031	Ass'y., Top Right Looper Shaft	1
08	36613099	Ass'y., Right Upper Looper Cam Lever	1
09	34378066	Knob Stop	1
10	33251105	Finger Support	1
11			
12	31211015	Arm Stop	1
13			
14			
15			
16	31955003	Pusher Rod	1
17	31644003	Bearing Stud	1
18	32542111	Pusher Rod Arm	1
19			
20	37231028	Upper Looper Knife	1
21	36341035	Looper Roller	1
22			
23	31413002	Stud Spacer	1
24	70.3149.1.001	Left Looper Roller Seat	1
25	70.3662.5.002	Left Upper Looper Arm	1
26	31815017	Left Upper Looper Nut	1
27	31413001	Finger Pusher Rod Collar	1
28			
29	31593001	Adj.Nut	1
30	37211045	Right Looper Finger	1
31	31613035	Rod Support	1
32	35521118	Bearing Bracket	1
33			
34	35511040	Left Upper Looper Bracket	1
35			
36			
37	36546022	Spring	1
38	42241009	Cam Roller Assembly	1
39	36546025	Cam Lever Spring	1
40	31741013	Cam Roller	1
41	01300037	Scr., Shldr. Hex. Soc.# 5/16 Dia x 5/8 Lg.	1
42	01000093	Scr., Hex. Soc. Hd.Cap.# 1/4 - 20 x 3/4	1
43	23132178	Bearing "Oilite"# AA -630 -1	1
44			
45	01300029	Scr.Shldr. Hex. Soc. Hd.# 1/4 Dia x 1/4 Lg.	1
46	23231045	Bearing "New Depart"# 77 R 4	1
47	70.3121.1.016	Knurled Knob Scr." Shearloc" # 8 - 32 x 1.0 Gy	1
48	24971056	Spring, Comp., "Lee" # LC - 032 C - 8	1
49	07106001	Washer, Lock Hi Collar # 1/4	1
50	06220001	Nut, Flex Loc.Hex. # 21 FK - 1024	1

Revised 11/2005

e-mail: service@amfreece.cz; parts@amfreece.cz; website: www.amfreece.com

Phones: +420 582 309 146 (Service), +420 582 309 246 (Spare Parts) ; Fax: +420 582 360 606

UPPER LOOPER

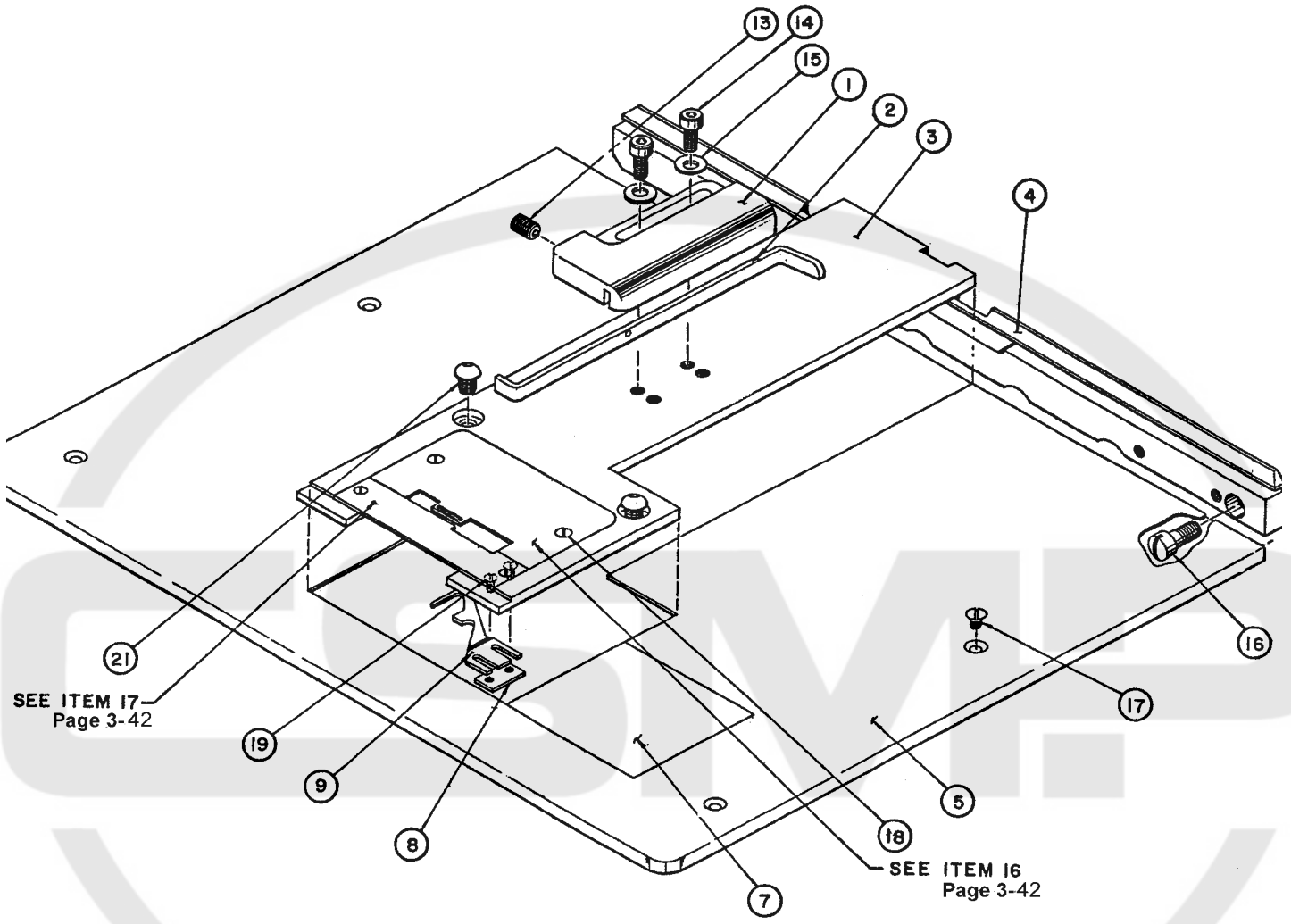


Revised 03/2005

e-mail: service@amfreece.cz; parts@amfreece.cz; website: www.amfreece.com

Phones: +420 582 309 146 (Service), +420 582 309 286 (Spare Parts) ; Fax: +420 582 360 606

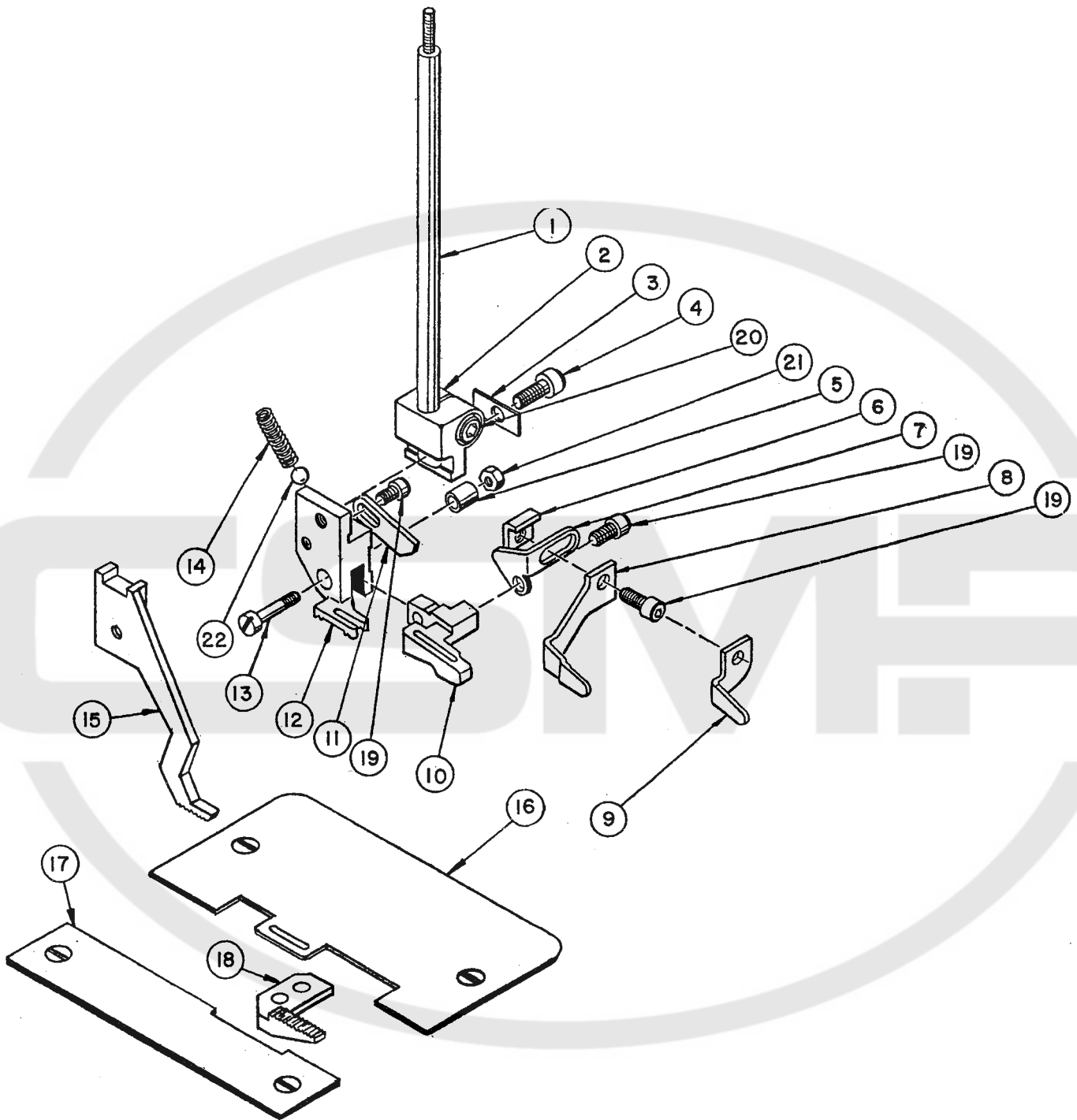
WORK PLATE ASSEMBLY



SEE ITEM 17
Page 3-42

SEE ITEM 16
Page 3-42

PRESSER FOOT & SWIVEL TOE ASSEMBLY

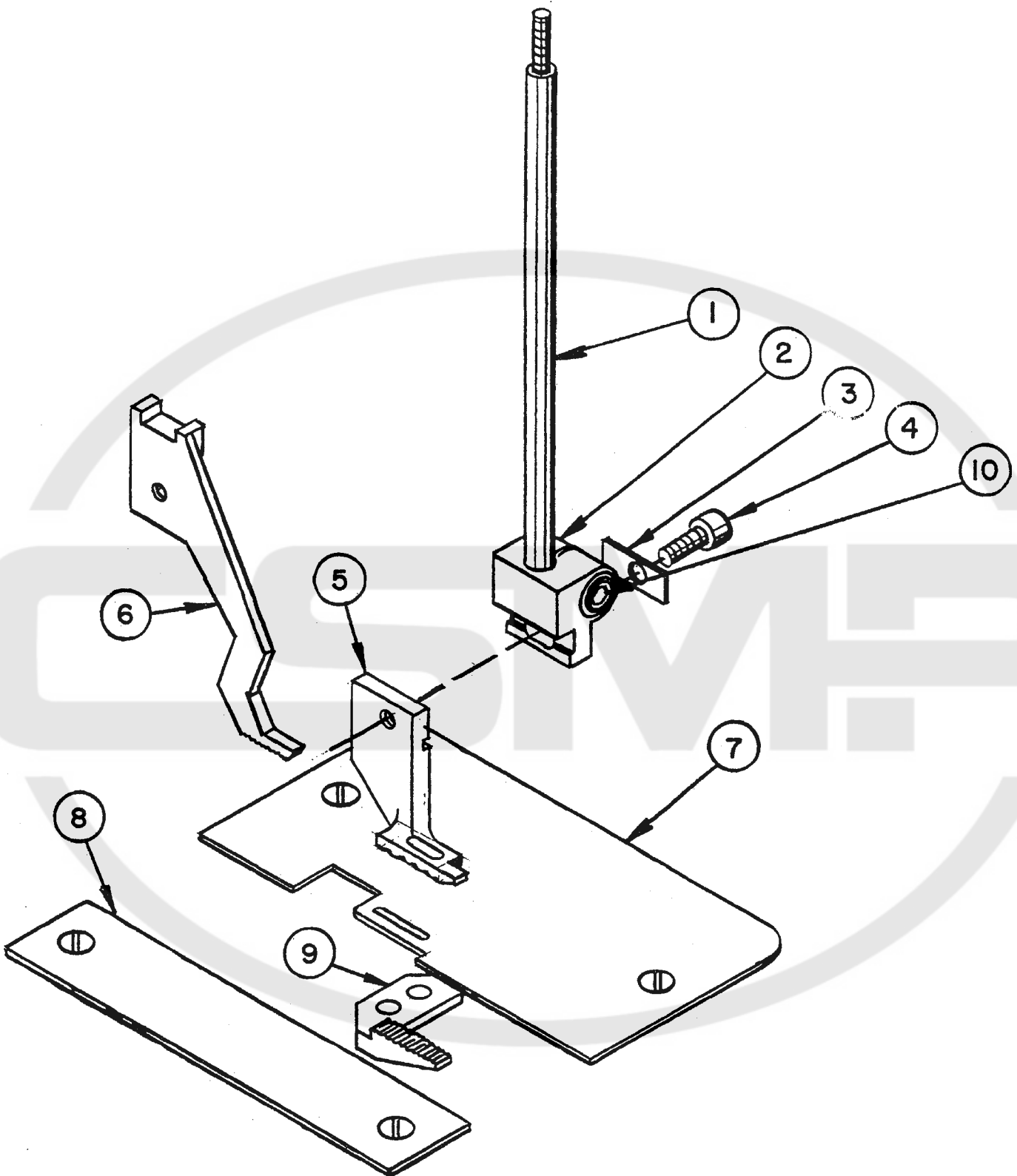


Revised 03/2005

e-mail: service@amfreece.cz; parts@amfreece.cz; website: www.amfreece.com

Phones: +420 582 309 146 (Service), +420 582 309 286 (Spare Parts) ; Fax: +420 582 360 606

PRESSER FOOT

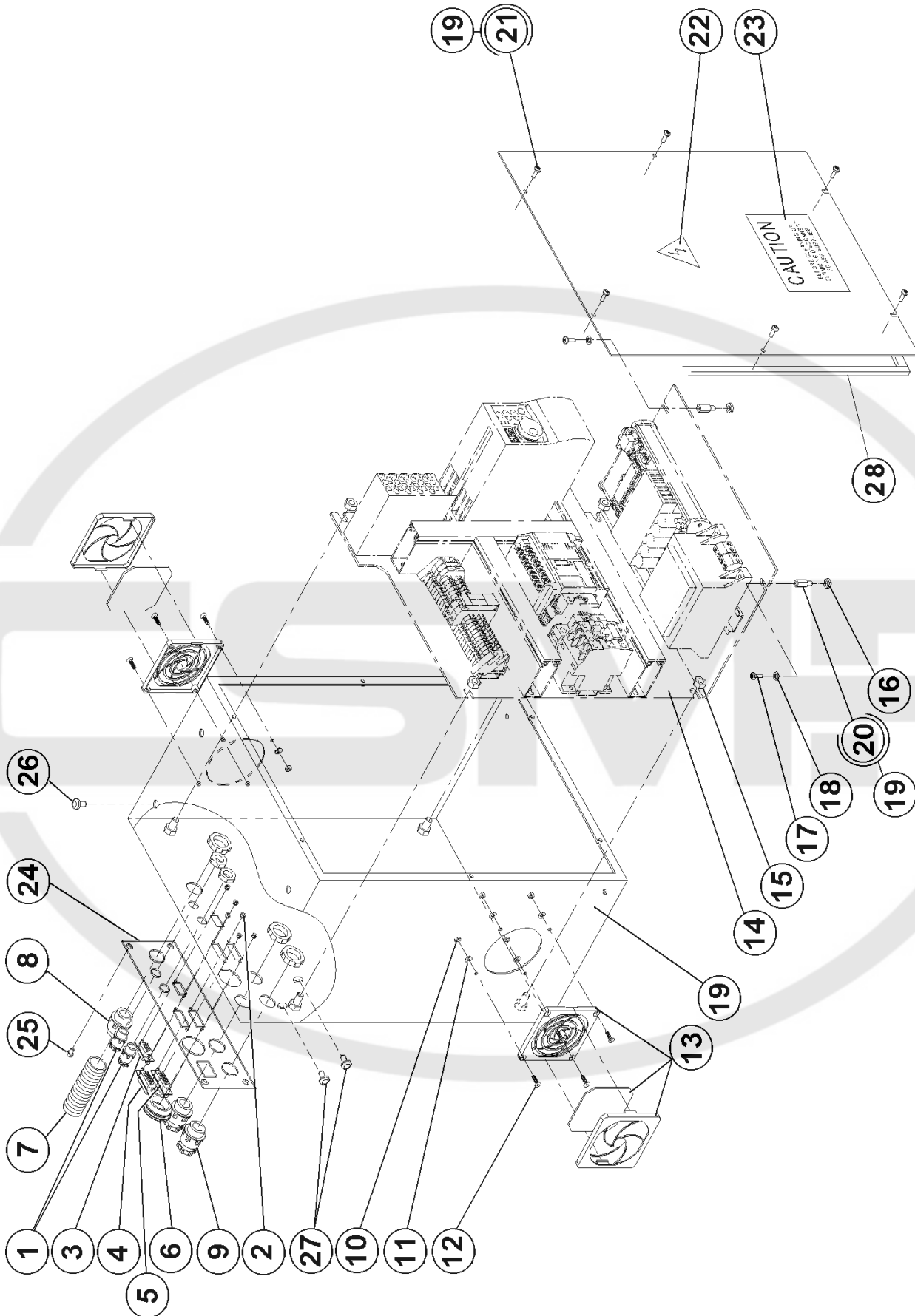


Revised 03/2005

e-mail: service@amfreece.cz; parts@amfreece.cz; website: www.amfreece.com

Phones: +420 582 309 146 (Service), +420 582 309 286 (Spare Parts) ; Fax: +420 582 360 606

ELECTRICAL - I

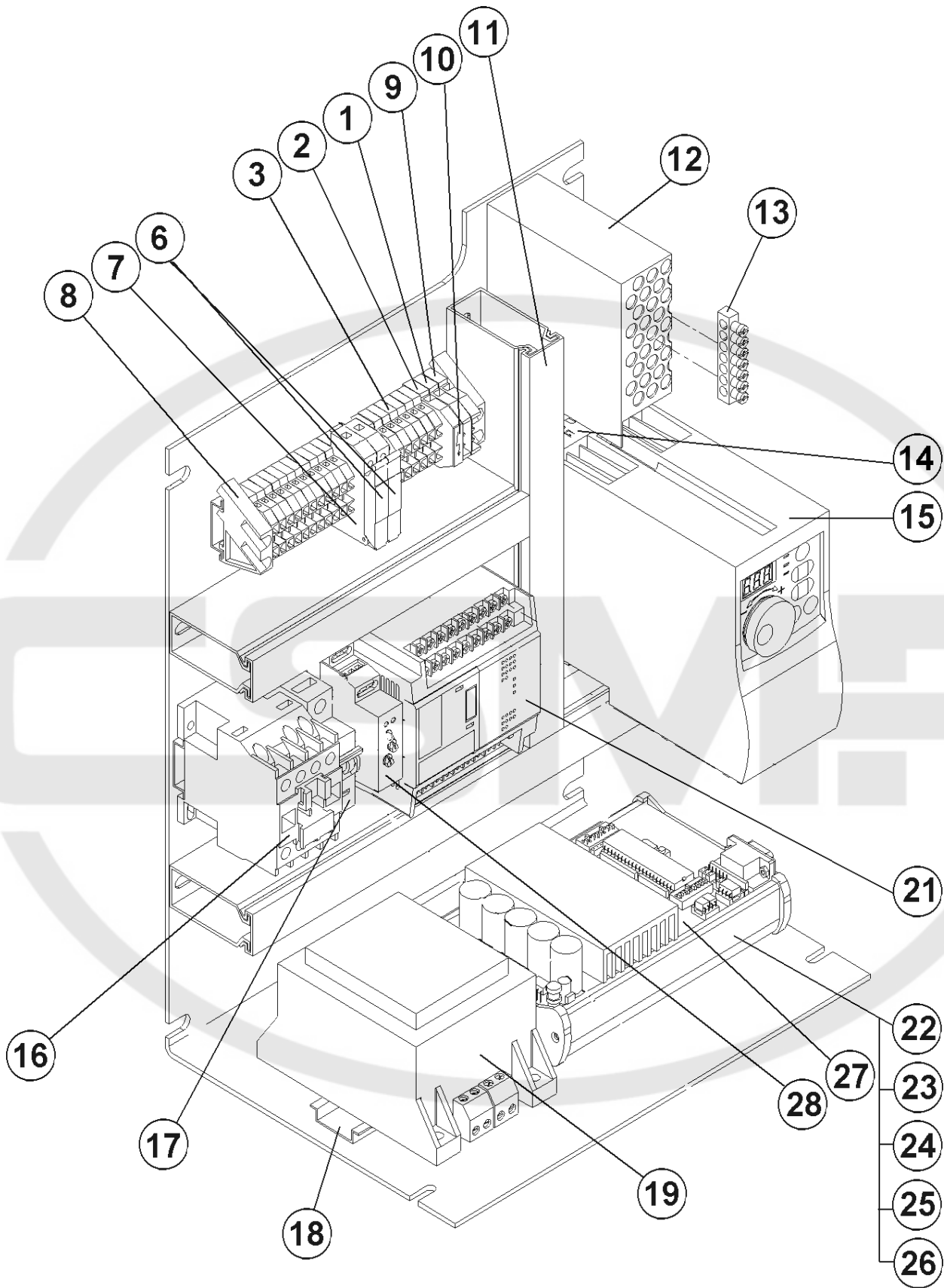


Revised 03/2005

e-mail: service@amfreece.cz; parts@amfreece.cz; website: www.amfreece.com

Phones: +420 582 309 146 (Service), +420 582 309 286 (Spare Parts) ; Fax: +420 582 360 606

ELECTRICAL - II

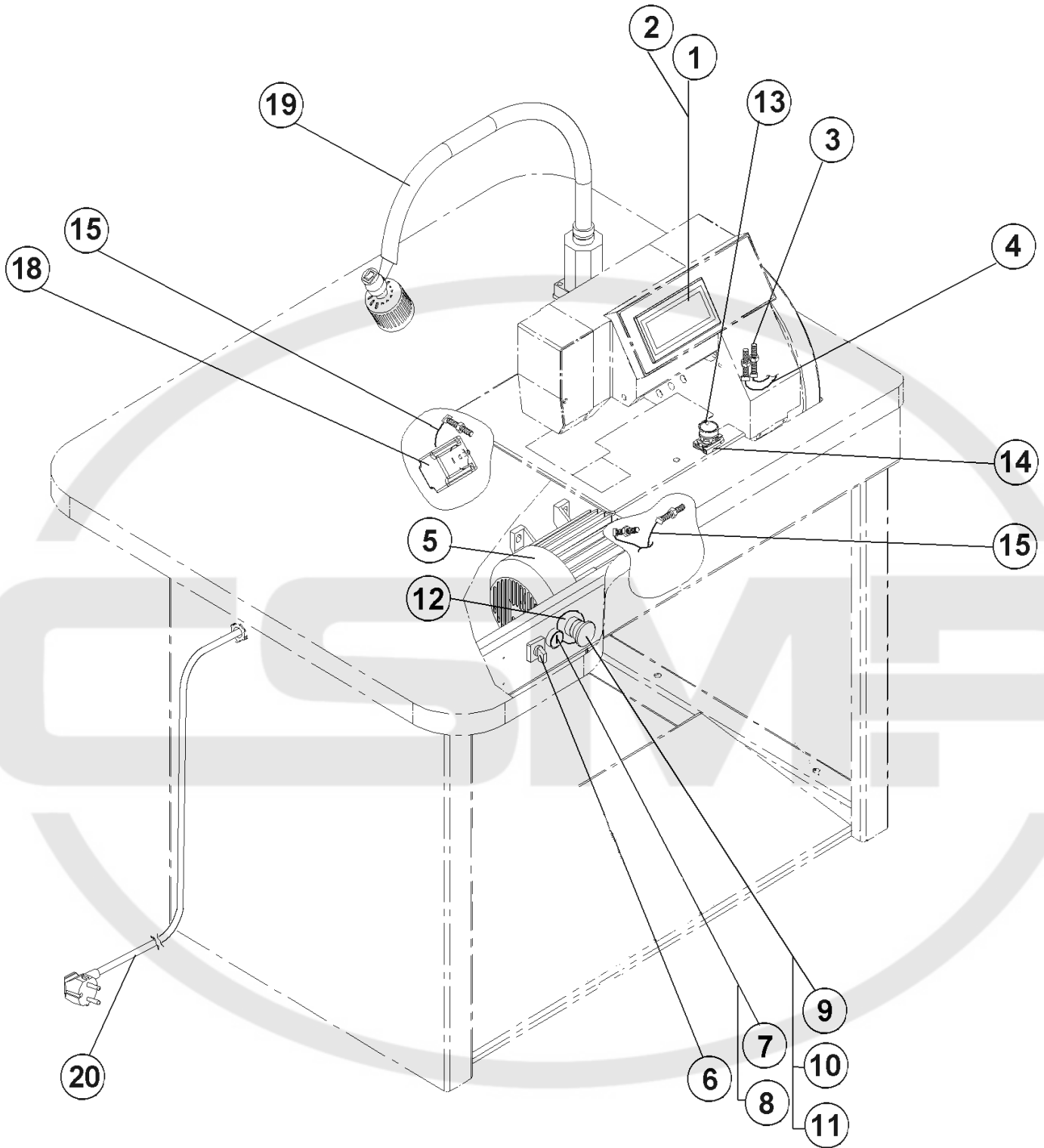


Revised 03/2005

e-mail: service@amfreece.cz; parts@amfreece.cz; website: www.amfreece.com

Phones: +420 582 309 146 (Service), +420 582 309 286 (Spare Parts) ; Fax: +420 582 360 606

ELECTRICAL - III

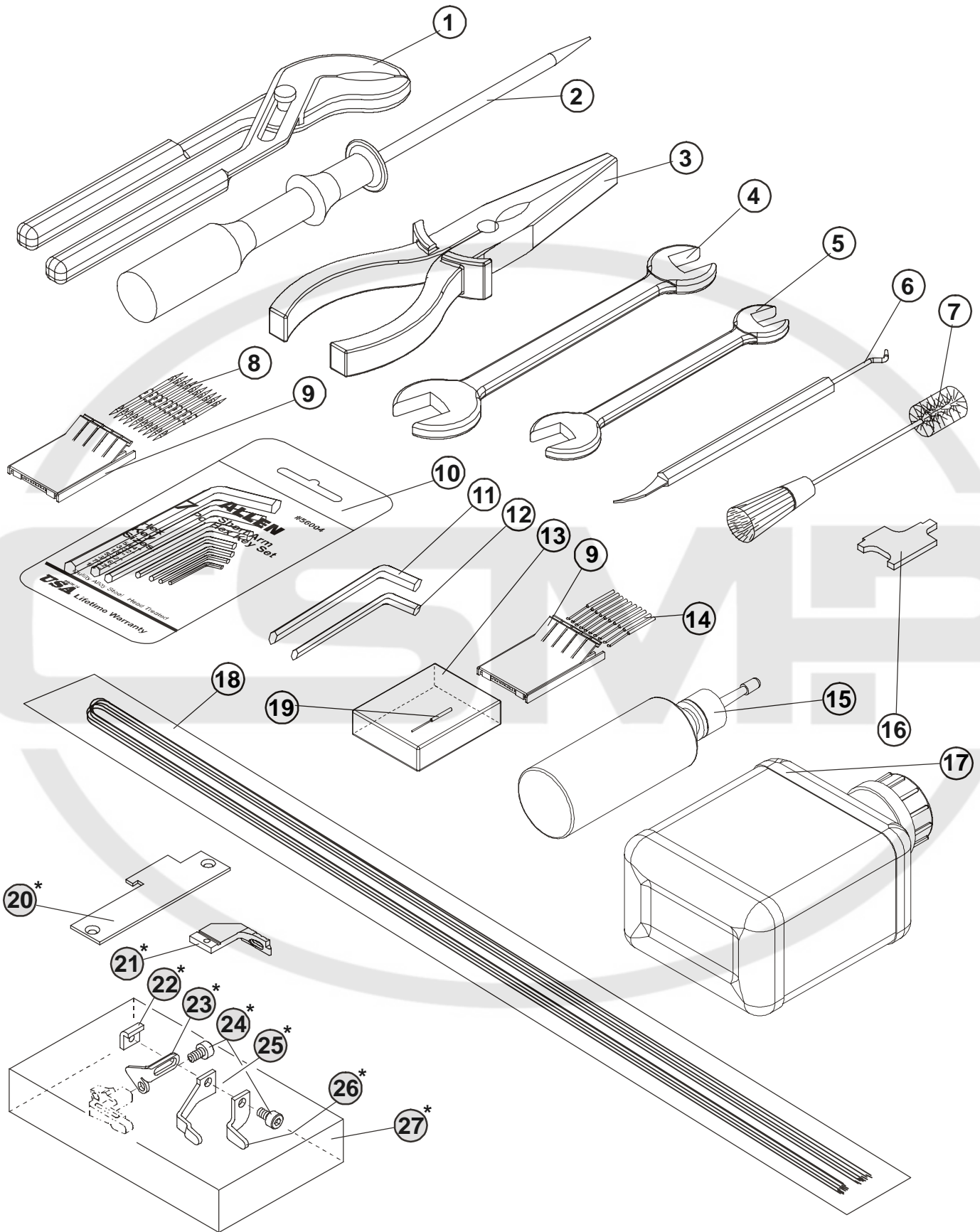


Revised 09/2005

e-mail: service@amfreece.cz; parts@amfreece.cz; website: www.amfreece.com

Phones: +420 582 309 146 (Service), +420 582 309 286 (Spare Parts) ; Fax: +420 582 360 606

ACCESSORIES



Revised 03/2005

e-mail: service@amfreece.cz; parts@amfreece.cz; website: www.amfreece.com

Phones: +420 582 309 146 (Service), +420 582 309 286 (Spare Parts) ; Fax: +420 582 360 606

ACCESSORIES

DET	PART NUMBER	DESCRIPTION	QTY
01	26913004	Pliers	1
02	26913020	Screwdriver	1
03	12.0008.6.119	Pliers	1
04	12.0008.6.118	Wrench 7/16"x 1/2"	1
05	03.0018.0.000	Wrench 3/8" x 5/16"	1
06	49910018	Cleaner	1
07	12.0008.6.975	Perk Brush	1
08	00103238	Needle	11
09	12.0008.6.968	Box Needle Short	2
10	22979050	Wrench Set	1
11	22979048	Wrench, Short Arm	1
12	22979047	Allen Wrench 7/64"	1
13	—	Box	1
14	37213001	Needle Threader	10
15	05.1322.0.000	Oil Can	1
16	37771023	Gage, Needle Bar	1
17	05.0090.1.000	OIL-8 OZ CAN-68	1
18	12.0008.6.xxx	Thread Black	1
19	49910019	Barbed Broach	1
20*	70.3273.2.023	Throat Plate 2 - Left	1
21*	31100035	Presser Foot	1
22*	34264012	Material Guide Nut	1
23*	35414016	Material Guide Bracket	1
24*	01000059	Screw #6-40X1/4	2
25*	34658001	Material Guide	1
26*	34458002	Material Guide	1
27*	—	Box	1

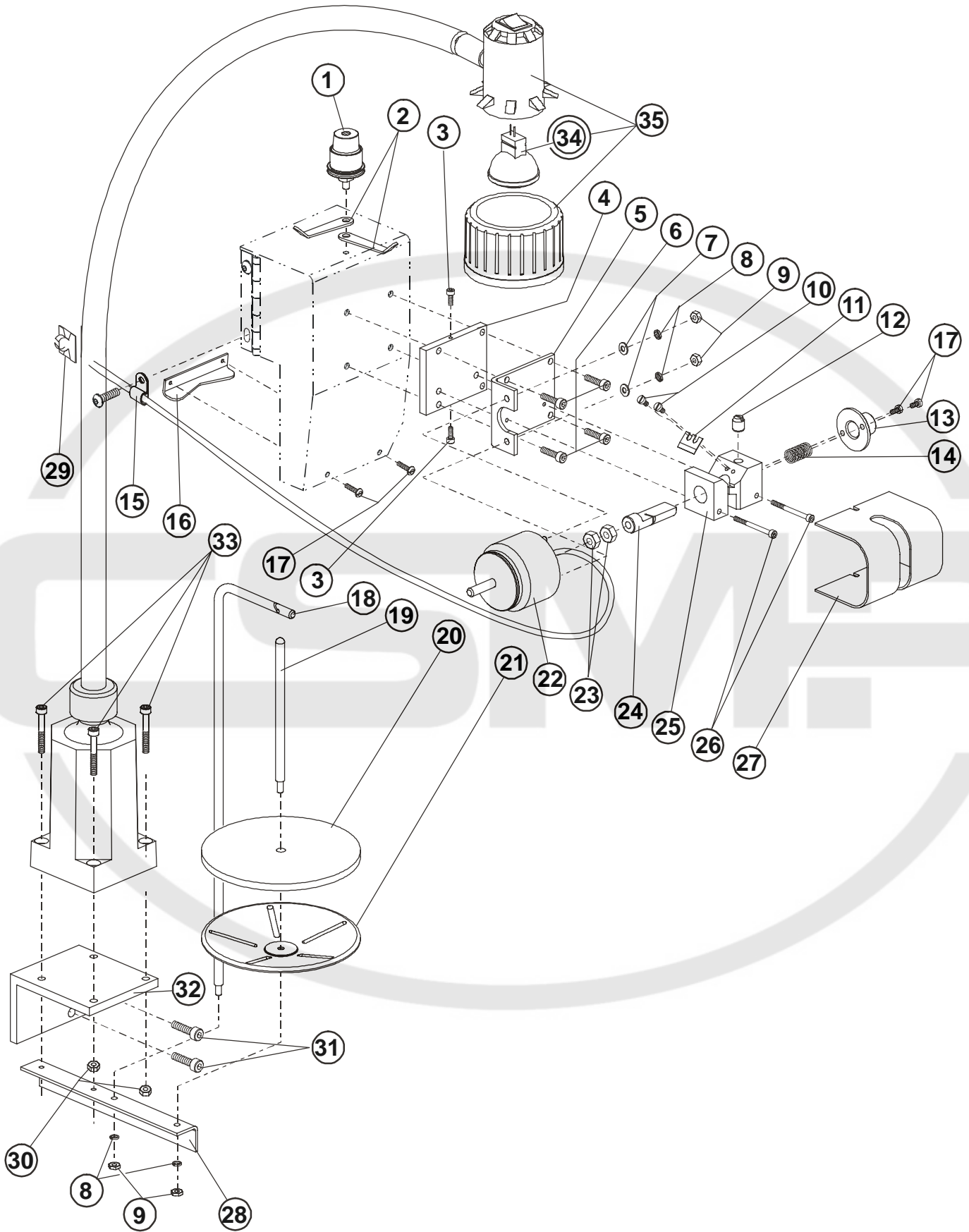
* Modification Bender Plate

Revised 03/2005

e-mail: service@amfreece.cz; parts@amfreece.cz; website: www.amfreece.com

Phones: +420 582 309 146 (Service), +420 582 309 246 (Spare Parts) ; Fax: +420 582 360 606

THREAD TRIM



Revised 03/2005

e-mail: service@amfreece.cz; parts@amfreece.cz; website: www.amfreece.com

Phones: +420 582 309 146 (Service), +420 582 309 286 (Spare Parts) ; Fax: +420 582 360 606

THREAD TRIM

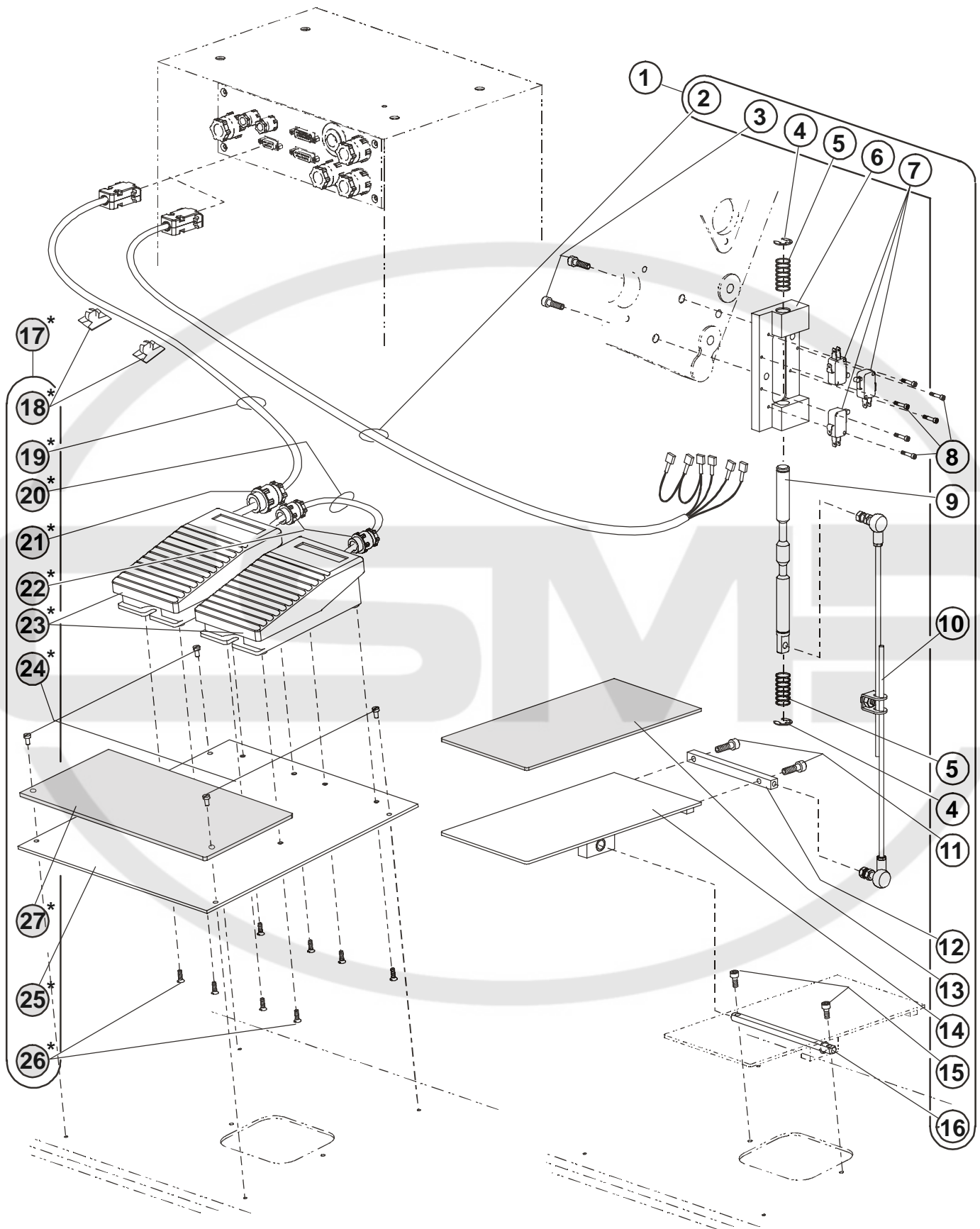
DET	PART NUMBER	DESCRIPTION	QTY
01	23.2044.0.050	Large Tension Assembly	1
02	70.3288.2.101	Thread Guide	2
03	08.6000.3.008	Screw M3x8	2
04	70.3288.2.401	Plate	1
05	70.3288.3.601	Solenoid Holder	1
06	08.6000.4.015	Screw M4x15	4
07	08.6852.4.000	Washer 4,3	2
08	08.6802.4.000	Spring Washer 4,1	4
09	08.6702.4.000	Nut M4	4
10	08.6012.3.006	Screw	2
11	39.0087.0.000	Blade	1
12	19.0011.1.400	Screw M8x1-10	1
13	70.3284.4.101	Flange	1
14	12.3010.0.013	Spring	1
15	12.0008.4.280	Plasting Cable Fitting	1
16	70.3288.2.102	Thread Guide	1
17	08.6200.3.008	Screw M3x8	4
18	70.3288.2.103	Thread Guide	1
19	17.0031.3.277	Pin	1
20	17.0095.3.042	Washer Pad	1
21	17.0083.9.031	Plate	1
22	70.4165.1.129	Solenoid DC	1
23	08.6710.6.000	Nut M6	2
24	70.3283.2.601	Cutting Bar	1
25	70.3286.4.501	Block	1
26	08.6000.3.025	Screw M3x25	2
27	70.3288.2.104	Cover	1
28	70.3288.3.602	Holder	1
29	12.0008.4.862	Clips - Metal	3
30	08.6702.4.000	Nut M4	2
31	012000028	Screw 1/4 - 20 x 3/4	2
32	31852010	Alex Light Holder	1
33	08.6000.4.025	Screw M4x25	4
34	12.0008.4.403	Halogen Lamp Kit	1
35	12.0008.4.679	Bulb 12V/12W	(1)

Revised 03/2005

e-mail: service@amfreece.cz; parts@amfreece.cz; website: www.amfreece.com

Phones: +420 582 309 146 (Service), +420 582 309 246 (Spare Parts) ; Fax: +420 582 360 606

FOOT PEDAL



Revised 03/2005

e-mail: service@amfreece.cz; parts@amfreece.cz; website: www.amfreece.com

Phones: +420 582 309 146 (Service), +420 582 309 286 (Spare Parts) ; Fax: +420 582 360 606

FOOT PEDAL

DET	PART NUMBER	DESCRIPTION	QTY
01	03.5570.0.011	Foot Switch Assembly	1
02	70.4165.1.114	Cable	(1)
03	08.6000.6.018	Screw M6x18	(2)
04	07.6760.0.000	Retaining Ring	(2)
05	07.6440.0.014	Spring	(2)
06	70.3552.8.075	Mount	(1)
07	06.0120.0.000	Switch	(1)
08	08.6000.3.016	Screw M3x16	(6)
09	70.3532.8.076	Actuator	(1)
10	04.1956.0.000	Pitman Rod Bal	(1)
11	01000019	Screw	(2)
12	70.3532.8.077	Lever	(1)
13	32115005	Foot Pedal Tread	(1)
14	36617003	Pedal	(1)
15	08.6000.5.012	Screw M5x12	(2)
16	31225015	Shaft	(1)
17*	03.5570.0.014	Foot Switch Assembly	1*
18*	12.0008.4.862	Clips - Metal	(2)*
19*	70.4165.1.115	Cable	(1)*
20*	70.4165.1.116	Cable	(1)*
21*	12.0008.4.240	Bushing	(1)*
22*	12.0008.4.231	Bushing	(2)*
23*	12.0008.4.204	Pedal	(2)*
24*	08.6012.4.010	Screw M4x10	(4)*
25*	70.3532.8.073	Plate	(1)*
26*	08.6100.4.014	Screw M4x14	(8)*
27*	—	Foot Pedal Tread	(1)*

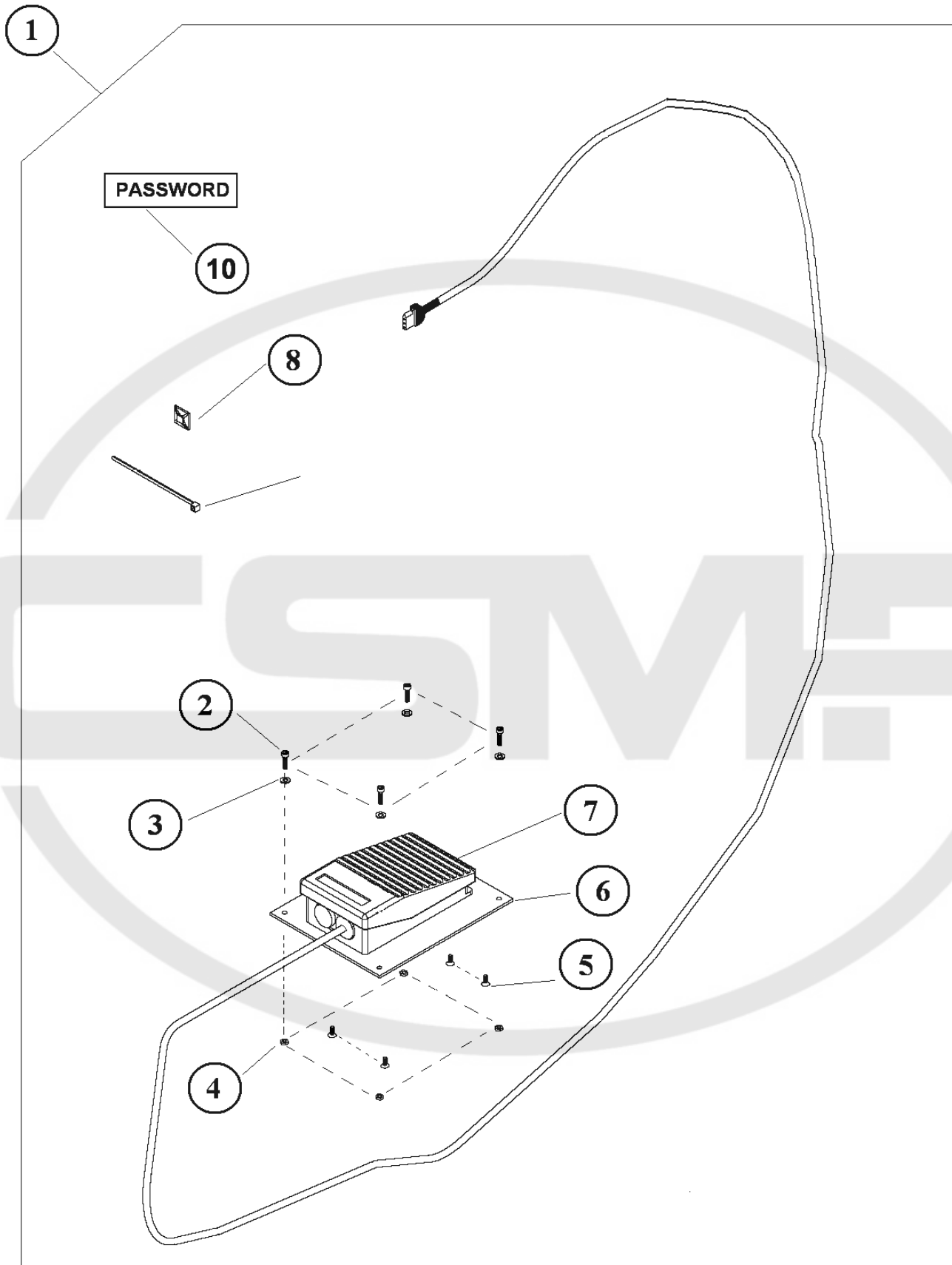
* — Extra Parts

Revised 11/2005

e-mail: service@amfreece.cz; parts@amfreece.cz; website: www.amfreece.com

Phones: +420 582 309 146 (Service), +420 582 309 246 (Spare Parts) ; Fax: +420 582 360 606

CONDENSED STITCH KIT

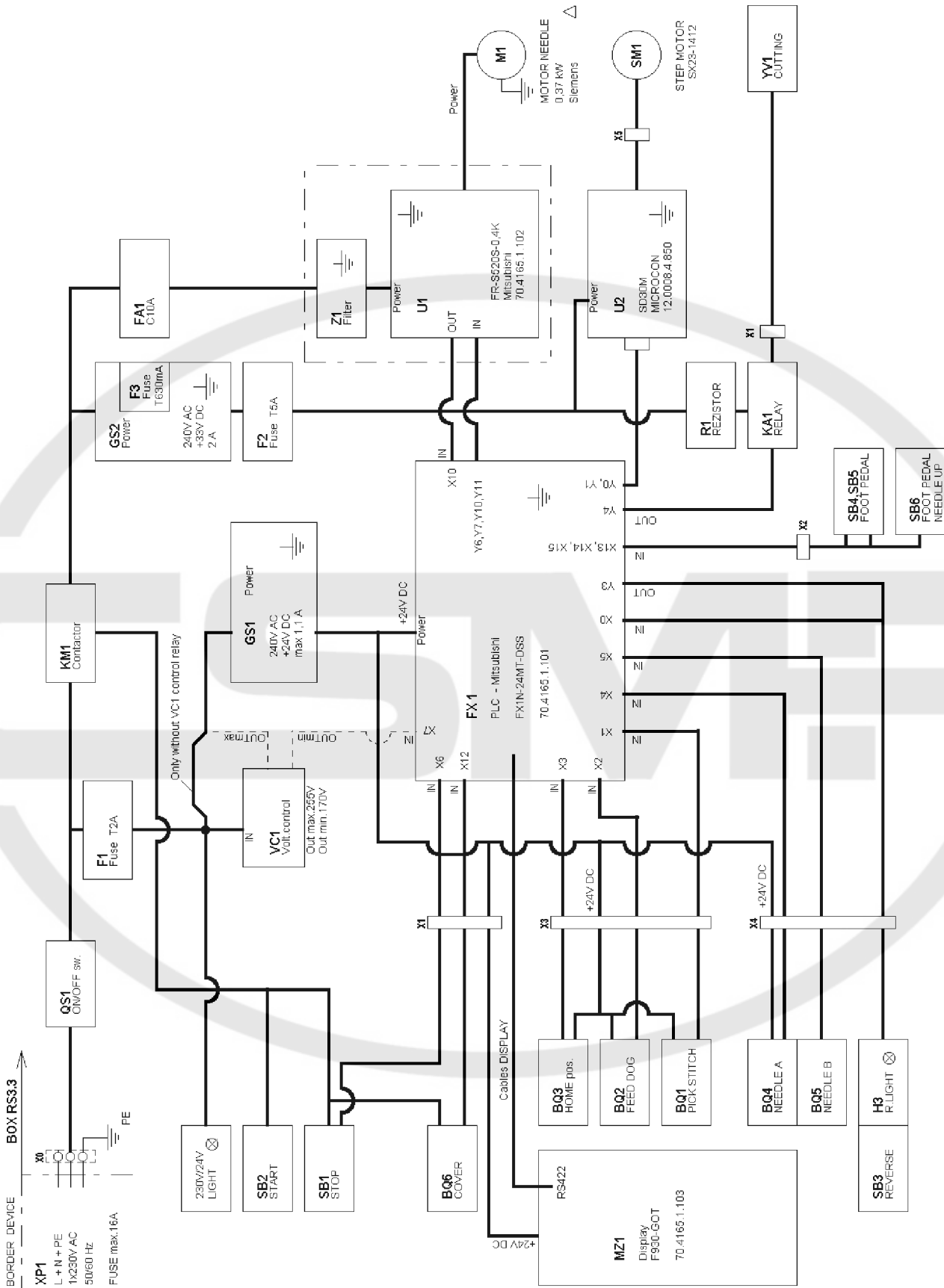


Revised 11/2005

e-mail: service@amfreece.cz; parts@amfreece.cz; website: www.amfreece.com

Phones: +420 582 309 146 (Service), +420 582 309 286 (Spare Parts) ; Fax: +420 582 360 606

ELECTRICAL DIAGRAM



Revised 11/2005

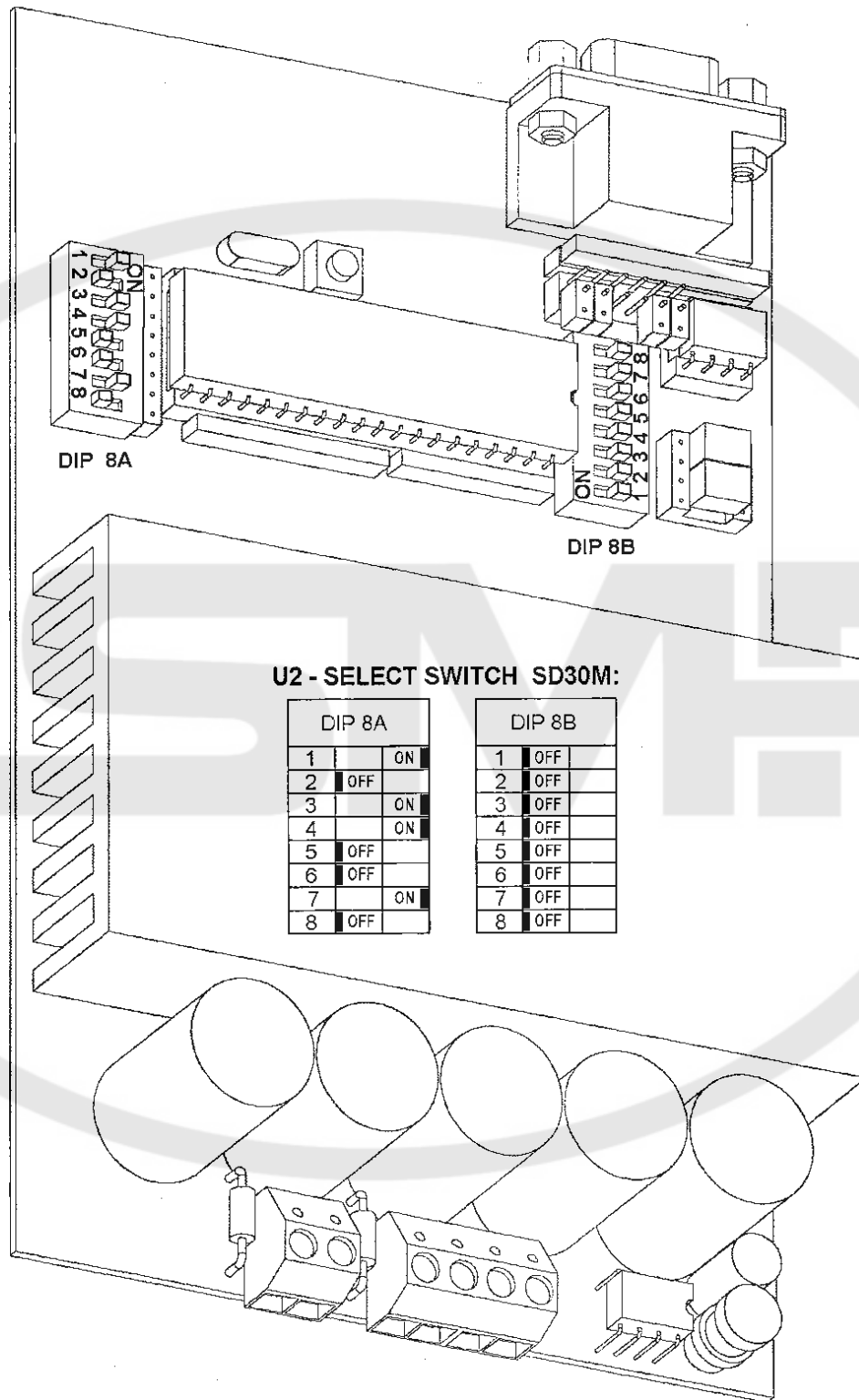
e-mail: service@amfreece.cz; parts@amfreece.cz; website: www.amfreece.com

Phones: +420 582 309 146 (Service), +420 582 309 286 (Spare Parts) ; Fax: +420 582 360 606

ELECTRICAL DIAGRAM

U2 DRIVER STEPMOTOR DECO

TYPE: SD30M - 12.0008.4.850



Revised 11/2005

e-mail: service@amfreece.cz; parts@amfreece.cz; website: www.amfreece.com

Phones: +420 582 309 146 (Service), +420 582 309 246 (Spare Parts) ; Fax: +420 582 360 606



INDEX

PART NUMBER	PAGE	DET	QTY	PART NUMBER	PAGE	DET	QTY	PART NUMBER	PAGE	DET	QTY
22911037				31151001	3-9	27	1	31721054	3-17	26	1
22911037	3-21	19	2	31151001	3-15	14	1	31723007	3-9	9	1
22911038	3-3	34	1	31215008	3-23	28	1	31723007	3-15	5	1
22912058	3-21	23	1	31215012	3-25	20	1	31734013	3-21	1	1
22912066	3-17	76	1	31225015	3-57	16	(1)	31751004	3-21	7	1
22914003	3-17	68	3	31264001	3-9	25	1	31766009	3-7	2	1
22965006	3-9	37	2	31264001	3-15	12	1	31773015	3-9	15	1
22965006	3-15	45	2	31288023	3-23	25	3	31773015	3-15	2	1
22967003	3-17	67	1	31412001	3-9	32	1	31781006	3-17	27	1
22972010	3-3	29	1	31412001	3-15	24	1	31838013	3-17	40	2
23132056	3-23	91	(2)	31413029	3-23	51	2	31838014	3-17	83	2
23132123	3-11	54	1	31413030	3-17	19	1	31838030	3-7	7	3
23132142	3-23	72	2	31413031	3-23	7	1	31845002	3-17	4	1
23132178	3-11	56	1	31423006	3-11	83	2	31852010	3-3	90	1
23132199	3-11	57	1	31423032	3-17	84	1	31852010	3-55	32	1
23132297	3-11	71	1	31423068	3-23	21	1	31873013	3-11	36	1
23161063	3-7	34	1	31426015	3-25	10	1	31876011	3-11	39	1
23161073	3-17	66	1	31464002	3-17	2	1	31996006	3-9	18	1
23161095	3-17	77	2	31521001	3-11	29	1				
23161140	3-7	24	2	31523037	3-7	3	1	32111012			
23231030	3-15	33	1	31566008	3-9	7	1	32111012	3-11	5	1
23231040	3-25	37	1	31566008	3-15	18	1	32115005	3-57	13	(1)
23231040	3-29	37	1	31571002	3-11	22	1	32115013	3-11	19	1
23231210	3-17	54	1	31572004	3-17	32	1	32121004	3-23	50	2
23231217	3-17	52	2	31593007	3-9	33	1	32216086	3-3	11	1
23231226	3-25	38	2	31593007	3-15	23	1	32217002	3-11	23	1
23231226	3-29	38	2	31611010	3-23	10	1	32221007	3-11	44	4
23522009	3-3	60	1	31611064	3-25	27	1	32223045	3-15	11	1
23914009	3-17	60	1	31611064	3-29	27	1	32241004	3-17	39	1
24116020	3-9	38	1	31612045	3-25	23	3	32418075	3-3	17	1
24116150	3-7	25	1	31612051	3-17	20	1	32434001	3-23	2	1
24117012	3-21	21	1	31641010	3-23	29	1	32533076	3-17	1	2
24117014	3-11	60	1	31641015	3-23	13	1	32643073	3-25	16	1
24323130	3-3	63	1	31641017	3-35	36	1	32652015	3-7	6	1
24383030	3-3	73	1	31641019	3-23	14	1	32691001	3-25	5	2
24423030	3-3	64	1	31642007	3-11	34	1	32711019	3-3	6	2
24473075	3-3	72	1	31652001	3-7	13	1	32729001	3-11	41	1
25379218	3-23	63	1	31674025	3-9	1	1	32731026	3-11	10	1
26913025	3-11	66	1	31674025	3-15	26	1	32732001	3-11	42	1
27571120	3-3	37	1	31695011	3-9	2	1	32739011	3-23	17	1
				31695011	3-15	27	1	33182005	3-9	23	1
31000008				31697003	3-9	29	1	33182005	3-15	21	1
31000008	3-21	4	1	31697003	3-15	10	1	33215069	3-9	17	1
31000009	3-25	11	1	31715005	3-17	3	1	33242002	3-11	24	1
31000030	3-3	101	1	31718025	3-17	18	1	33244009	3-23	9	1
31000031	3-3	102	1	31718027	3-11	32	1	33252029	3-25	15	1
31111009	3-9	30	1	31721022	3-25	18	1	33256011	3-11	38	1
31111009	3-15	17	1	31721038	3-11	18	1	33257001	3-23	1	1
31112002	3-23	47	2	31721040	3-11	15	1	33258075	3-25	17	1
31133018	3-11	13	1	31721053	3-17	24	1	33334012	3-23	31	1

Revised 11/2005

e-mail: service@amfreece.cz; parts@amfreece.cz; website: www.amfreece.com

Phones: +420 582 309 146 (Service), +420 582 309 246 (Spare Parts); Fax: +420 582 360 606

INDEX

PART NUMBER	PAGE	DET	QTY	PART NUMBER	PAGE	DET	QTY	PART NUMBER	PAGE	DET	QTY
33422001	3-11	37	1	36221009	3-29	13	1	36661001	3-23	4	1
33441002	3-15	15	1	36223009	3-21	8	1	36672047	3-11	26	1
33441003	3-9	28	1	36224009	3-7	44	1	36673028	3-23	26	1
34111085	3-17	14	2	36224010	3-7	4	2	36677016	3-25	19	1
34221010	3-11	27	1	36226017	3-7	15	1	36691014	3-9	12	1
34264012	3-53	22*	1	36227019	3-11	3	1	36691014	3-15	4	1
34268124	3-3	53	1	36228009	3-7	16	1	36691021	3-25	21	1
34372002	3-23	19	1	36228020	3-7	5	1	36713007	3-7	11	1
34372004	3-17	16	1	36271006	3-17	7	1	36771021	3-9	6	1
34372042	3-25	6	1	36271013	3-11	4	1	36771021	3-15	19	1
34416044	3-3	45	1	36341050	3-17	36	1	36773007	3-11	82	1
34585001	3-17	34	1	36513046	3-21	5	1	36773008	3-11	61	1
34647001	3-17	13	1	36514046	3-21	9	1	37112030	3-17	46	1
34732023	3-11	43	1	36515013	3-21	10	1	37211018	3-17	37	1
35131002	3-9	24	1	36515032	3-7	17	1	37211130	3-25	26	1
35131002	3-15	9	1	36516014	3-21	6	1	37211130	3-29	26	1
35315013	3-3	4	1	36516040	3-7	10	1	37213001	3-9	19	1
35351180	3-3	13**	1**	36518027	3-25	3	1	37711017	3-3	5	1
35371003	3-3	3	1	36518029	3-17	35	1				
35371004	3-17	47	1	36518030	3-9	21	1	41214006			
35472011	3-3	20	1	36518030	3-15	7	1	41214006	3-3	18	2
35511021	3-9	8	1	36518077	3-11	6	1	41321019	3-3	2	1
35511021	3-15	16	1	36523021	3-15	25	1	41441060	3-3	12	1
35511045	3-25	1	1	36523022	3-9	26	1	41831082	3-17	28	1
35511048	3-9	08**	1**	36523022	3-15	13	1	42531081	3-9	10	1
35511048	3-15	16**	1**	36531010	3-9	5	1	42531081	3-15	1	1
35511081	3-9	08*	1*	36531010	3-15	20	1				
35511081	3-15	16*	1*	36532021	3-9	3	1	00.2751.3.602			
35521048	3-9	13	1	36532021	3-15	28	1	00.2751.3.602	3-47	23	1
35521048	3-15	3	1	36532022	3-9	4	1	00103228	3-9	20*	1*
35521049	3-15	6	1	36532022	3-15	29	1	00103228	3-15	08*	1
35521055	3-11	11	1	36532025	3-23	24	1	00103238	3-9	20	1
35523026	3-3	65	1	36541005	3-11	40	2	00103238	3-15	8	1
35526005	3-25	4	1	36542017	3-17	15	1	00103238	3-53	8	11
35541070	3-17	48	1	36542018	3-25	2	1	00103249	3-9	20**	1**
35542007	3-25	9	1	36543018	3-11	8	1	00103249	3-15	08**	1
35551002	3-23	3	1	36543019	3-17	38	1				
35561001	3-17	9	1	36543020	3-11	30	1	01.2548.0.000			
35571021	3-11	35	1	36546023	3-9	34	1	01.2548.0.000	3-21	18	1
35633040	3-17	22	1	36613036	3-11	31	1	01.7305.0.900	3-23	59	(2)
35633041	3-17	30	1	36613038	3-23	22	1	01.7435.1.000	3-31	68	2
35771051	3-11	45	1	36617003	3-57	14	(1)				
35778014	3-17	17	1	36619044	3-11	20	1	01000002			
35812048	3-17	29	1	36621001	3-11	25	2	01000002	3-17	93	2
35812049	3-7	1	1	36631031	3-9	16	1	01000002	3-23	65	2
35815007	3-25	24	1	36647001	3-23	27	1	01000002	3-43	20	1
35815007	3-29	24	1	36651001	3-11	2	1	01000002	3-45	10	1
				36651002	3-11	7	1	01000004	3-11	74	2
36221009				36651008	3-17	6	1	01000004	3-43	19	3
36221009	3-25	13	1	36653010	3-17	31	1	01000005	3-25	39	1

Revised 11/2005

e-mail: service@amfreece.cz; parts@amfreece.cz; website: www.amfreece.com

Phones: +420 582 309 146 (Service), +420 582 309 286 (Spare Parts); Fax: +420 582 360 606

INDEX

PART NUMBER	PAGE	DET	QTY	PART NUMBER	PAGE	DET	QTY	PART NUMBER	PAGE	DET	QTY
01000008	3-11	62	3	01200031	3-41	21	2	04002109	3-41	17	4
01000009	3-29	39	1	01200083	3-7	38	1	04100011	3-17	61	1
01000013	3-9	48	1	01300029	3-37	45	1	04100052	3-3	52	2
01000013	3-11	77	1	01300037	3-37	41	1	04100053	3-17	62	4
01000013	3-15	44	1	02060018	3-3	33	12	04100054	3-7	21	2
01000013	3-31	73	2					04100054	3-11	81	2
01000017	3-31	75	1	03.0018.0.000				04100054	3-23	83	1
01000019	3-31	53	1	03.0018.0.000	3-53	5	1	04100054	3-37	51	2
01000019	3-57	11	(2)	03.5570.0.011	3-57	1	1	04100070	3-11	50	1
01000025	3-35	34	1	03.5570.0.014	3-57	17*	1*	04120001	3-11	75	1
01000026	3-17	53	4					04120001	3-25	55	2
01000026	3-31	79	1	03100002				04120001	3-29	55	2
01000027	3-25	49	1	03100002	3-35	21	1	04120002	3-25	35	1
01000032	3-11	79	3	03100008	3-9	42	1	04120002	3-29	35	1
01000032	3-35	29	2	03100008	3-25	59	1	04120004	3-25	58	1
01000032	3-41	14	2	03100008	3-29	59	1	04120004	3-29	58	1
01000037	3-23	69	2	03100012	3-11	63	1	04120005	3-17	65	2
01000037	3-37	59	1	03100012	3-17	80	1	04120009	3-11	78	1
01000039	3-9	44	3	03100012	3-21	17	2	04120012	3-25	54	1
01000039	3-15	35	5	03100012	3-23	67	1	04120012	3-29	54	1
01000047	3-3	23	2	03100012	3-31	57	1	04120070	3-41	16	2
01000047	3-23	60	2	03100013	3-17	55	1	04122093	3-11	80	8
01000047	3-25	42	1	03100013	3-31	49	2	04140040	3-3	36	6
01000047	3-29	42	1	03100017	3-11	65	1	04200003	3-3	30	6
01000056	3-31	84	4	03100038	3-25	53	1	04200003	3-7	27	4
01000058	3-25	32	1	03100038	3-29	53	1	04200004	3-3	43	5
01000058	3-29	32	1	03100051	3-31	52	3	04200007	3-11	55	1
01000059	3-11	68	1	03100066	3-15	32	2	04200011	3-9	35	1
01000059	3-31	56	1	03100066	3-23	70	2	04200011	3-31	64	1
01000059	3-53	24*	2	03100147	3-25	56	1	04200012	3-7	36	1
01000093	3-37	42	1	03100147	3-29	56	1	04200012	3-17	85	1
01000099	3-7	29	1	03100154	3-25	44	2	04200013	3-7	35	1
01000298	3-9	40	1	03100154	3-29	44	1	04200027	3-3	41	2
01000301	3-11	73	1	03101038	3-25	50	1	04200027	3-17	56	12
01000301	3-43	4	1	03102026	3-25	45	1	04200030	3-31	50	1
01000301	3-45	4	1	03102026	3-31	85	1	04200031	3-17	59	3
01002014	3-37	57	1	03130001	3-9	49	2	04200039	3-11	76	1
01002015	3-17	71	1	03130001	3-15	41	2	04200039	3-25	48	1
01002015	3-25	43	2	03140003	3-23	74	1	04200046	3-31	80	1
01002040	3-7	31	1	03140005	3-35	27	1	04200051	3-17	79	4
01002106	3-15	40	1	03140006	3-37	63	1	04200057	3-7	26	1
01200001	3-7	28	2	03200023	3-7	33	1	04200267	3-7	37	1
01200005	3-7	22	2					04202013	3-17	63	2
01200007	3-9	39	1	04.1956.0.000							
01200011	3-17	72	2	04.1956.0.000	3-57	10	(1)	05.0090.1.000			
01200011	3-17	89	2	04000020	3-17	74	2	05.0090.1.000	3-53	17	1
01200019	3-17	81	1	04000053	3-11	70	1	05.1322.0.000	3-53	15	1
01200024	3-3	21	3	04000190	3-37	54	1				
01200024	3-3	39	2	04002086	3-41	18	4	06.0120.0.000			
01200028	3-55	31	2	04002087	3-41	19	2	06.0120.0.000	3-57	7	(1)

Revised 11/2005

e-mail: service@amfreece.cz; parts@amfreece.cz; website: www.amfreece.com

Phones: +420 582 309 146 (Service), +420 582 309 246 (Spare Parts); Fax: +420 582 360 606

INDEX

PART NUMBER	PAGE	DET	QTY	PART NUMBER	PAGE	DET	QTY	PART NUMBER	PAGE	DET	QTY
06000002	3-11	72	4	07100011	3-31	54	2	08000007			
06000002	3-17	82	1	07102006	3-35	35	1	08000007	3-23	80	1
06000002	3-31	63	1	07102007	3-17	94	2	08000007	3-31	40	1
06000003	3-29	33	1	07102007	3-23	62	2	08000015	3-25	31	1
06000004	3-17	64	3	07102007	3-25	41	1	08000015	3-29	31	1
06000005	3-31	65	1	07102007	3-29	41	1	08000015	3-35	26	1
06000014	3-3	59	2	07106001	3-37	49	1	08000016	3-17	69	4
06000014	3-31	74	2	07106002	3-9	36	1	08000017	3-37	58	1
06000020	3-43	21	1					08000018	3-37	61	2
06002001	3-9	43	1	08.6000.3.008				08000019	3-3	42	4
06002001	3-15	46	1	08.6000.3.008	3-55	3	2	08000022	3-17	78	2
06020004	3-31	58	1	08.6000.3.016	3-57	8	(6)	08000044	3-23	56	2
06020015	3-3	22	3	08.6000.3.025	3-55	26	2	08000044	3-25	40	2
06020019	3-9	50	2	08.6000.4.008	3-3	79	4	08000044	3-29	40	1
06020019	3-15	43	2	08.6000.4.010	3-25	62	1	08000044	3-31	71	1
06020019	3-17	73	4	08.6000.4.010	3-29	62		08000109	3-23	57	1
06020019	3-17	90	2	08.6000.4.010	3-31	94	4	08000110	3-23	73	1
06020021	3-31	59	1	08.6000.4.012	3-9	51	2	08002028	3-15	37	1
06030014	3-17	58	1	08.6000.4.015	3-55	6	4	08200024	3-3	40	2
06104001	3-9	46	1	08.6000.4.025	3-55	33	4	08200031	3-7	23	1
06104001	3-15	34	1	08.6000.5.012	3-57	15	(2)	08322001	3-35	24	1
06124010	3-35	31	2	08.6000.6.018	3-57	3	(2)	08504001	3-25	34	2
06130002	3-35	28	2	08.6012.3.006	3-55	10	2	08504001	3-29	34	2
06220001	3-37	50	1	08.6012.4.010	3-57	24*	(4)*	09020001	3-11	59	1
07.6440.0.014				08.6032.5.010	3-47	17	2	09020001	3-17	51	1
07.6440.0.014	3-57	5	(2)	08.6100.4.008	3-47	25	4	09020001	3-21	15	2
07.6440.0.050	3-17	25	1	08.6100.4.014	3-47	12	8	09020001	3-31	66	1
07.6760.0.000	3-57	4	(2)	08.6100.4.014	3-57	26*	(8)*				
07002002	3-25	51	2	08.6200.3.008	3-55	17	4	12.0008.3.244			
07002009	3-17	57	1	08.6400.4.005	3-25	61	1	12.0008.3.244	3-29	30	1
07012001	3-21	20	2	08.6400.4.005	3-29	61		12.0008.4.050	3-49	13	1
07012001	3-25	36	2	08.6400.4.006	025	46	1	12.0008.4.063	3-49	6	2
07012001	3-29	36	1	08.6400.4.008	3-7	43	1	12.0008.4.154	3-47	22	1
07012001	3-31	55	2	08.6400.4.008	3-31	86	3	12.0008.4.204	3-57	23*	(2)*
07012001	3-35	30	2	08.6700.4.000	3-47	10	8	12.0008.4.207	3-47	1	2
07012001	3-41	15	2	08.6702.4.000	3-55	9	4	12.0008.4.215	3-47	26	2
07012002	3-23	68	2	08.6702.4.000	3-55	30	2	12.0008.4.216	3-47	27	2
07012002	3-35	22	1	08.6702.5.000	3-47	16	2	12.0008.4.231	3-47	9	2
07012003	3-3	32	6	08.6702.8.000	3-47	15	4	12.0008.4.231	3-57	22*	(2)*
07012003	3-31	82	1	08.6710.6.000	3-55	23	2	12.0008.4.240	3-57	21*	(1)*
07012004	3-25	52	1	08.6800.4.000	3-47	11	8	12.0008.4.280	3-55	15	1
07012005	3-23	61	2	08.6802.4.000	3-25	63	1	12.0008.4.327	3-49	9	1
07012005	3-37	56	1	08.6802.4.000	3-29	63		12.0008.4.329	3-49	8	2
07012010	3-17	75	4	08.6802.4.000	3-55	8	4	12.0008.4.366	3-47	6	1
07016002	3-25	57	2	08.6852.4.000	3-25	64	1	12.0008.4.403	3-51	19	1
07016002	3-29	57	2	08.6852.4.000	3-29	64		12.0008.4.403	3-55	34	1
07100009	3-3	31	4	08.6852.4.000	3-55	7	2	12.0008.4.472	3-47	13	2
07100009	3-7	39	1	08.6852.5.000	3-47	18	2	12.0008.4.484	3-49	17	1
07100009	3-31	81	1	08.6852.6.000	3-31	16	1	12.0008.4.488	3-49	16	1
								12.0008.4.590	3-51	9	1

Revised 11/2005

e-mail: service@amfreece.cz; parts@amfreece.cz; website: www.amfreece.com

Phones: +420 582 309 146 (Service), +420 582 309 286 (Spare Parts); Fax: +420 582 360 606

INDEX

PART NUMBER	PAGE	DET	QTY	PART NUMBER	PAGE	DET	QTY	PART NUMBER	PAGE	DET	QTY
12.0008.4.591	3-51	13	1	17.0011.2.013	3-7	47	2	31000009	3-29	11	1
12.0008.4.592	3-51	14	1	17.0031.3.277	3-55	19	1	31000018	3-31	44	1
12.0008.4.596	3-17	95	1	17.0083.9.031	3-55	21	1	31000019	3-31	45	1
12.0008.4.657	3-49	3	19	17.0095.3.042	3-55	20	1	31000032	3-35	6	1
12.0008.4.662	3-49	10	1					31000033	3-35	7	1
12.0008.4.663	3-49	7	5	19.0011.1.400				31100035	3-45	5	1
12.0008.4.679	3-55	35	(1)	19.0011.1.400	3-55	12	1	31100035	3-53	21*	1
12.0008.4.690	3-49	28*	1	19.0044.1.624	3-7	41	2	31211015	3-37	12	1
12.0008.4.708	3-47	3	1	19.0044.1.629	3-7	48	2	31215002	3-31	15	1
12.0008.4.709	3-49	12	1					31215079	3-31	41	1
12.0008.4.710	3-47	2	6	22912090				31217001	3-31	7	1
12.0008.4.713	3-51	20	1	22912090	3-31	67	2	31268001	3-37	6	1
12.0008.4.751	3-49	14	1	22913039	3-9	47	1	31283001	3-35	9	1
12.0008.4.757	3-51	5	1	22965005	3-43	22	1	31288023	3-31	17	2
12.0008.4.766	3-47	5	1	22966116	3-41	13	1	31288023	3-35	13	1
12.0008.4.769	3-47	4	1	22979047	3-53	12	1	31413001	3-37	27	1
12.0008.4.781	3-49	19	1	22979048	3-53	11	1	31413002	3-37	23	1
12.0008.4.783	3-47	7	1	22979050	3-53	10	1	31413003	3-43	5	1
12.0008.4.795	3-47	8	1					31421005	3-31	24	1
12.0008.4.826	3-49	23	2	23.2044.0.050				31426015	3-29	10	1
12.0008.4.827	3-49	24	2	23.2044.0.050	3-55	1	1	31511015	3-31	22	1
12.0008.4.828	3-49	25	4	23132030	3-9	41	(2)	31593001	3-37	29	1
12.0008.4.829	3-49	26	4	23132115	3-35	32	(1)	31612052	3-31	19	1
12.0008.4.835	3-51	6	1	23132122	3-31	61	3	31612054	3-31	60	1
12.0008.4.836	3-51	7	1	23132155	3-31	78	(1)	31613007	3-35	3	1
12.0008.4.837	3-51	8	1	23132165	3-37	60	(1)	31613035	3-37	31	1
12.0008.4.839	3-51	10	1	23132178	3-37	43	1	31644003	3-37	17	1
12.0008.4.842	3-51	11	1	23161008	3-31	83	(2)	31644004	3-31	37	1
12.0008.4.850	3-49	27	1	23161048	3-31	70	(1)	31685012	3-43	13	1
12.0008.4.856	3-49	2	1	23161073	3-31	51	(6)	31721038	3-35	12	1
12.0008.4.857	3-49	1	1	23181235	3-31	76	1	31721039	3-31	25	1
12.0008.4.862	3-55	29	3	23231030	3-9	45	(1)	31721041	3-37	64	1
12.0008.4.862	3-57	18*	(2)*	23231040	3-35	25	1	31722031	3-37	2	1
12.0008.6.118	3-53	4	1	23231045	3-31	23	1	31728003	3-31	31	1
12.0008.6.119	3-53	3	1	23231045	3-37	46	1	31741013	3-37	40	1
12.0008.6.517	3-3	69	4					31772035	3-43	1	1
12.0008.6.968	3-53	9	2	24117010				31772035	3-45	1	1
12.0008.6.975	3-53	7	1	24117010	3-37	55	1	31773013	3-31	6	2
12.0008.6.979	3-9	53	1	24117012	3-31	62	1	31815017	3-37	26	1
12.0008.6.xxx	3-53	18	1	24117216	3-35	20	1	31839020	3-35	18	1
				24381054	3-31	92	1	31852015	3-31	13	1
12.0010.4.025				24971021	3-37	62	1	31873011	3-35	17	1
12.0010.4.025	3-51	3	5	24971056	3-37	48	1	31881004	3-31	4	1
12.1016.0.001	3-3	75	2	25379273	3-35	33	1	31955003	3-37	16	1
12.3010.0.013	3-55	14	1	25973108	3-17	86	1				
12.3010.0.014	3-9	55	1	26913004	3-53	1	1	32215003			
12.8000.1.010	3-3	74	1	26913020	3-53	2	1	32215003	3-43	3	1
								32215003	3-45	3	1
17.0011.2.013				31000006				32225017	3-31	21	1
17.0011.2.013	3-7	42	2	31000006	3-31	36	1	32233001	3-41	8	1

Revised 11/2005

e-mail: service@amfreece.cz; parts@amfreece.cz; website: www.amfreece.com

Phones: +420 582 309 146 (Service), +420 582 309 246 (Spare Parts); Fax: +420 582 360 606

INDEX

PART NUMBER	PAGE	DET	QTY	PART NUMBER	PAGE	DET	QTY	PART NUMBER	PAGE	DET	QTY
32428002	3-31	14	1	36615007	3-43	12	1	70.3288.3.605	3-17	91	1
32542111	3-37	18	1	36667012	3-31	26	1	70.3325.1.107	3-3	16	1
32631001	3-43	11	1	36674012	3-35	14	1	70.3441.6.045	3-17	87	1
32691001	3-29	5	2	36678019	3-31	30	1	70.3441.6.046	3-17	88	1
32732021	3-43	17	1	36691022	3-31	20	1	70.3462.7.067	3-31	33	1
32739004	3-31	11	1	36691024	3-37	5	1	70.3532.8.073	3-3	68	1
32764006	3-43	16	1	36741109	3-41	1	1	70.3532.8.073	3-57	25*	(1)*
32764006	3-45	7	1	36761031	3-37	7	1	70.3532.8.074	3-3	1	1
32769003	3-35	8	1	36771079	3-31	34	1	70.3532.8.076	3-57	9	(1)
33251105	3-37	10	1	37211045	3-37	30	1	70.3532.8.077	3-57	12	(1)
33258076	3-41	3	1	37211133	3-41	9	1	70.3535.1.181	3-3	13*	1*
34264012	3-43	6	1	37213001	3-53	14	10	70.3535.1.182	3-3	19	1
34372042	3-29	6	1	37231028	3-37	20	1	70.3541.1.112	3-41	5	1
34378066	3-37	9	1	37771022	3-41	2	1	70.3552.8.075	3-57	6	(1)
34458002	3-43	9	1	37771023	3-53	16	1	70.3577.7.042	3-17	8	1
34458002	3-53	26*	1	39.0087.0.000	3-55	11	1	70.3577.7.043	3-3	76	1
34658001	3-43	8	1					70.3577.7.044	3-3	77	1
34658001	3-53	25*	1	42241009				70.3651.3.048	3-7	9	1
34758001	3-35	5	1	42241009	3-37	38	1	70.3651.8.020	3-25	8	1
35111007	3-35	1	1	49910018	3-53	6	1	70.3651.8.020	3-29	8	1
35225010	3-31	35	1	49910019	3-53	19	1	70.3651.8.021	3-25	60	1
35411121	3-41	7	1					70.3651.8.021	3-29	60	1
35414016	3-43	7	1	70.2691.1.188				70.3651.8.021	3-29	60	1
35414016	3-53	23*	1	70.2691.1.188	3-11	49	1	70.3651.8.022	3-25	7	1
35421064	3-41	4	1	70.3100.0.017	3-3	100	1	70.3651.8.022	3-29	7	1
35511040	3-37	34	1	70.3100.0.040	3-31	93	1	70.3652.3.023	3-9	31	1
35511045	3-29	1	1	70.3100.0.041	3-31	46	1	70.3652.3.025	3-9	54	1
35511079	3-43	10	1	70.3100.0.042	3-3	66	1	70.3652.3.026	3-9	52	1
35511080	3-43	2	1	70.3121.1.016	3-37	47	1	70.3657.2.009	3-17	41	1
35511080	3-45	2	1	70.3149.1.001	3-37	24	1	70.3661.1.037	3-43	18	1
35521118	3-37	32	1	70.3162.5.003	3-3	58	1	70.3661.1.037	3-45	9	1
35523018	3-31	8	1	70.3165.2.002	3-3	70	1	70.3661.1.042	3-43	15	1
35526005	3-29	4	1	70.3165.2.003	3-3	70	1	70.3661.1.042	3-45	6	1
35542007	3-29	9	1	70.3165.2.003	3-7	40	1	70.3662.5.002	3-37	25	1
36226011	3-31	1	1	70.3172.1.024	3-7	45	1	70.3664.5.006	3-23	49	1
36341035	3-37	21	1	70.3172.1.024	3-11	14	1	70.3664.5.007	3-23	48	1
36343061	3-31	32	2	70.3265.2.016	3-3	67	1	70.3669.1.008	3-17	21	1
36344057	3-31	28	1	70.3273.2.023	3-45	8	1	70.3721.1.153	3-23	11	1
36515020	3-31	29	1	70.3273.2.023	3-53	20	1	70.3727.4.013	3-17	23	1
36518027	3-29	3	1	70.3282.7.100	3-23	43	1	70.4165.1.097	3-47	14	1
36531018	3-43	14	1	70.3283.2.601	3-55	24	1	70.4165.1.098	3-49	22	1
36533015	3-35	16	1	70.3284.4.101	3-55	13	1	70.4165.1.099	3-49	18	1
36542018	3-29	2	1	70.3286.4.501	3-55	25	1	70.4165.1.100	3-49	11	1
36543022	3-35	10	1	70.3288.2.101	3-55	2	2	70.4165.1.101	3-49	21	1
36546022	3-37	37	1	70.3288.2.102	3-55	16	1	70.4165.1.102	3-49	15	1
36546024	3-31	39	1	70.3288.2.103	3-55	18	1	70.4165.1.103	3-51	1	1
36546025	3-37	39	1	70.3288.2.104	3-55	27	1	70.4165.1.105	3-51	2	1
36611036	3-31	9	1	70.3288.2.401	3-55	4	1	70.4165.1.109	3-51	15	1
36613034	3-31	10	1	70.3288.3.601	3-55	5	1	70.4165.1.110	3-51	4	1
36613099	3-37	8	1	70.3288.3.602	3-55	28	1	70.4165.1.114	3-57	2	(1)
				70.3288.3.604	3-17	92	1	70.4165.1.115	3-57	19*	(1)*

Revised 11/2005

e-mail: service@amfreece.cz; parts@amfreece.cz; website: www.amfreece.com

Phones: +420 582 309 146 (Service), +420 582 309 286 (Spare Parts); Fax: +420 582 360 606

INDEX

PART NUMBER	PAGE	DET	QTY	PART NUMBER	PAGE	DET	QTY	PART NUMBER	PAGE	DET	QTY
70.4165.1.116	3-57	20*	(1)*								
70.4165.1.118	3-51	18	1								
70.4165.1.124	3-47	24	1								
70.4165.1.125	3-47	19	1								
70.4165.1.126	3-47	28	1								
70.4165.1.129	3-55	22	1								
70.4223.3.029	3-11	1	1								
70.4253.1.078	3-9	10*	1*								
70.4253.1.078	3-15	01*	1*								
70.4253.1.079	3-9	10**	1**								
70.4253.1.079	3-15	01**	1**								
12.0008.6.521	3-3	24	4								
12.0008.6.520	3-3	25	4								
03.5570.0.013	3-59	01	1								
08.6000.4.016	3-59	02	4								
08.6852.4.000	3-59	03	4								
08.6702.4.000	3-59	04	4								
08.6132.4.010	3-59	05	4								
70.3532.8.078	3-59	06	1								
70.4165.1.112	3-59	07	1								
12.0008.4.058	3-59	08	8								
12.0008.4.072	3-59	09	8								
12.8000.0.144	3-59	10	1								

Revised 11/2005

e-mail: service@amfreece.cz; parts@amfreece.cz; website: www.amfreece.com

Phones: +420 582 309 146 (Service), +420 582 309 246 (Spare Parts); Fax: +420 582 360 606

INDEX

PART NUMBER	PAGE	DET	QTY	PART NUMBER	PAGE	DET	QTY	PART NUMBER	PAGE	DET	QTY

Revised 11/2005

e-mail: service@amfreece.cz; parts@amfreece.cz; website: www.amfreece.com

Phones: +420 582 309 146 (Service), +420 582 309 286 (Spare Parts); Fax: +420 582 360 606